

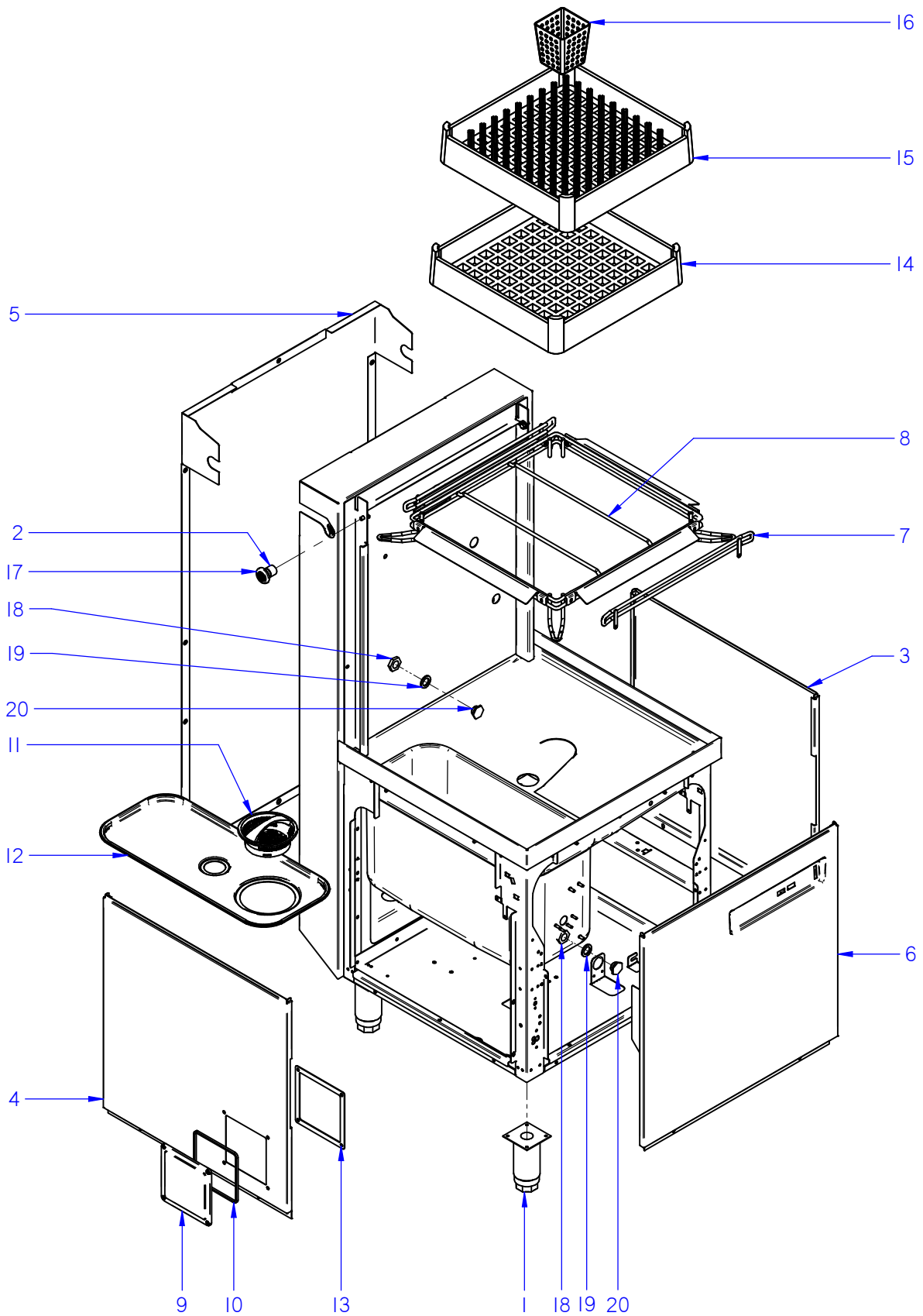
DESPIECE TÉCNICO TECHNICAL PARTS

Lavavajillas
Dishwasher

MODELS
CO-142W

Febrero 2015 February
Revisado Julio 2015 July Revised



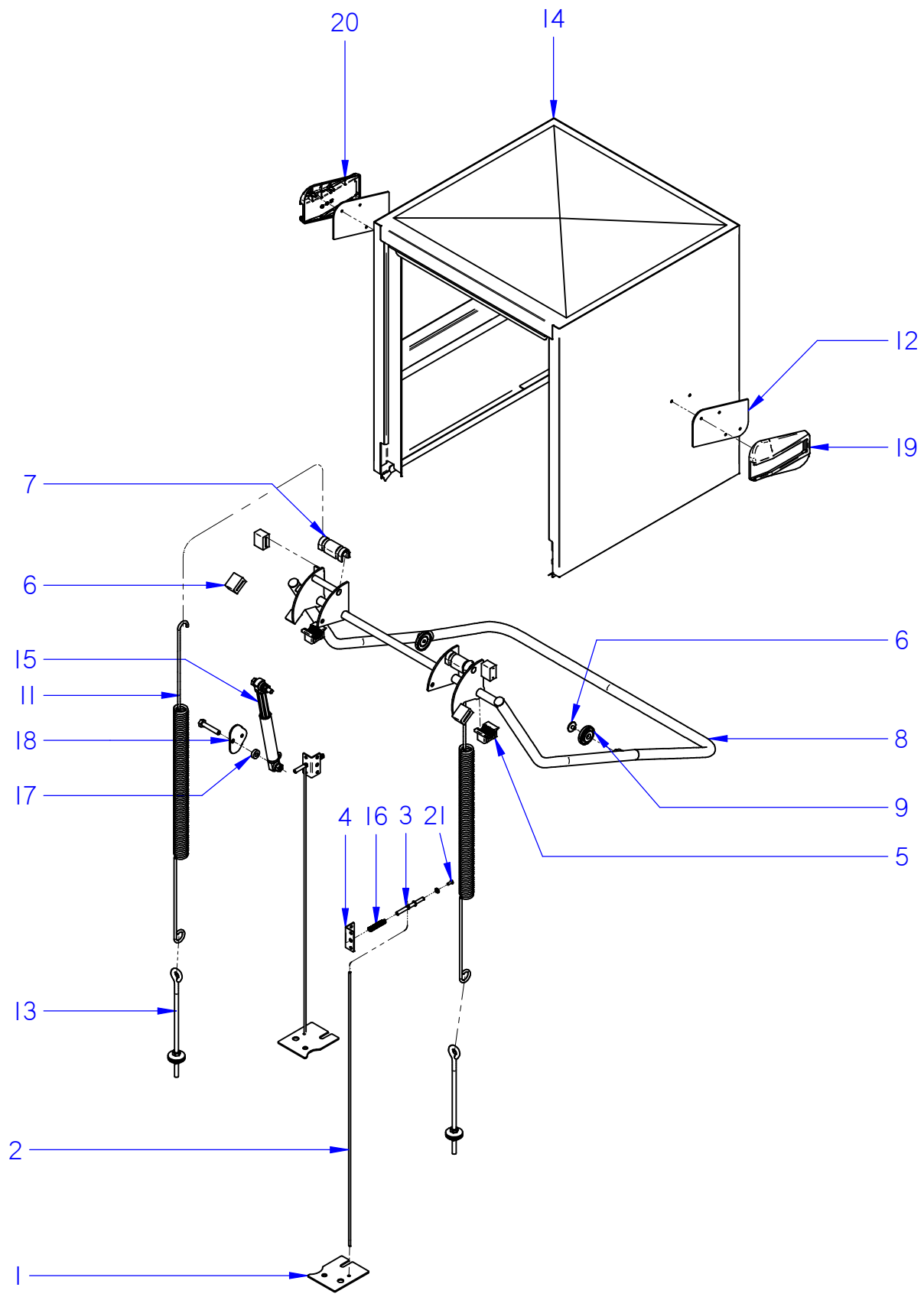


ITEM MARCADO EN COLOR = REPUESTO RECOMENDADO
 COLOURED ITEM = RECOMMENDED SPARE PART

N plano / Drawing N.	Firma / Signature	Fecha / Date	Aparato / Appliance	MUEBLE / FRAME	Lamina / Sheet	Fagor Industrial S.Coop. FAGOR
C-3366	Iban R.	07-2015	LAVAVAJILLAS CO-142W	DISHWASHER	1	Oñate

ZONA / ZONE	ARMAZON / FRAME	LÁMINA / DRAWING	C-3366	FAGOR 
-------------	-----------------	------------------	--------	---

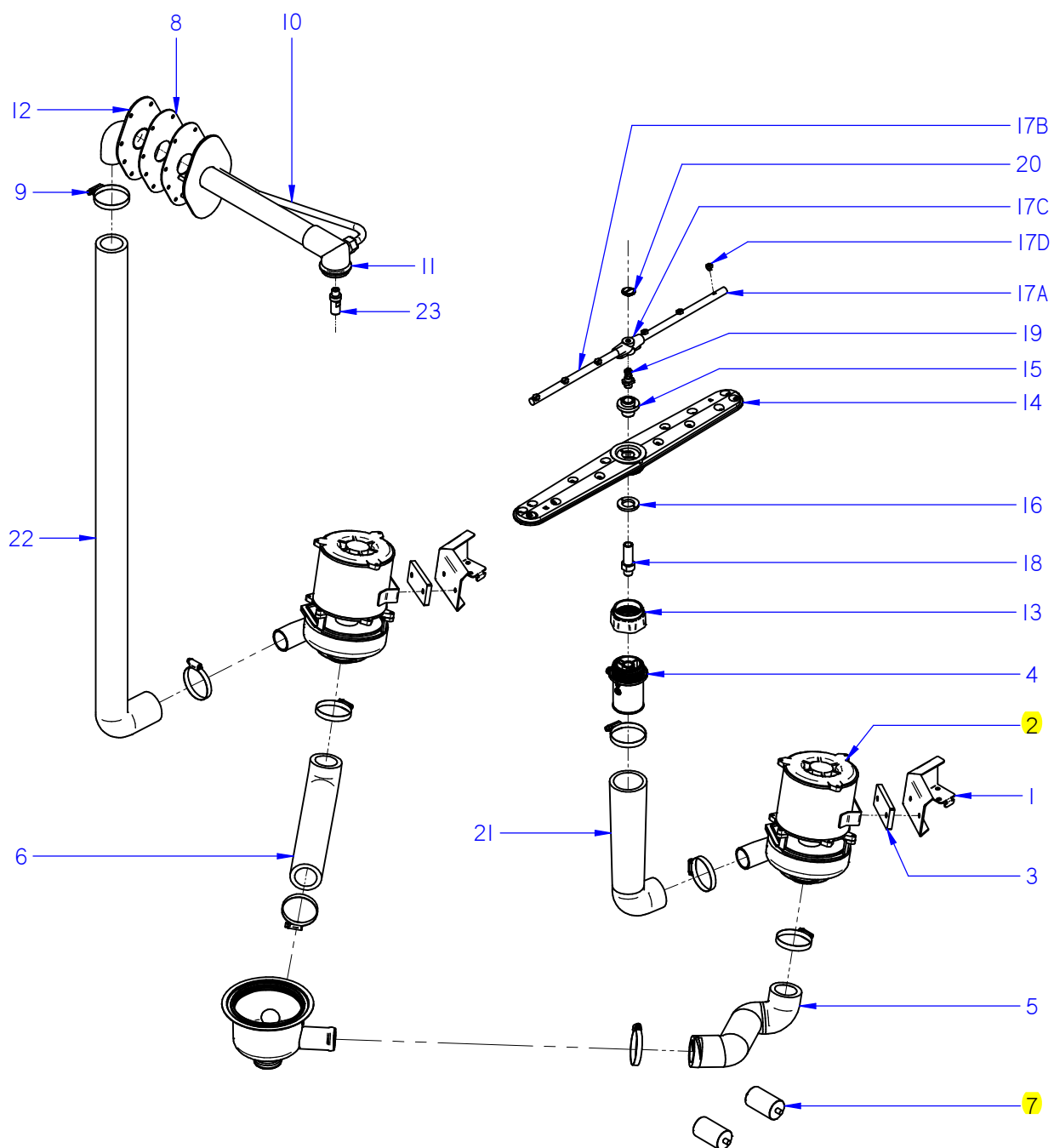
ITEM	REFERENCIA REFERENCE	DENOMINACIÓN	DENOMINATION	CO-142W								RECOMMENDED	ELIMINADO ELIMINATED	INTRODUCIDO INTRODUCED	NOTAS / NOTES
1	12009104	PATAS REGULABLES	REGULABLE FEET	4											
2	12098018	CASQUILLO RODADURA	ROLLING BUSHING	2											
3	12120608	PANEL LATERAL DCHO	RIGHT SIDE PANEL	1											
4	12120609	PANEL LATERAL IZDO	LEFT SIDE PANEL	1											
5	12110635	PANEL POSTERIOR CAPOTA	RARE PANEL	1											
6	12113561	PANEL FRONTAL CAPOTA W	HOOD TYPE FRONT PANEL W	1											
7	12045900	TOPE BASE CESTILLO COMPLETO	COMPLETE BASKET BASE END	2											
8	12045909	BASE CESTILLO VARILLA COMPLETA	COMPLETE WIRE BASKET BASE	1											
9	12095220	TAPA CAJA CONEXIONES	CONNECTIONS BOX COVER	1											
10	12096947	JUNTA TAPA	COVER'S SEAL	1											
11	12048609	CESTILLO RECOGEDOR CONCEPT	CONCEPT DUSTPAN BASKET	1											
12	12047947	BANDEJA FILTRO CONCEPT	CONCEPT FILTER TRAY	1											
13	12103501	JUNTA EPDM CAJA CONEXIONES	CONNECTION BOX EPDM JOINT	1											
14	12025011	CESTILLO BASE CT-10	CT-10 BASE BASKET	1											
15	12102646	CESTILLO PLATOS CP-16-18	CP-16-18 PLATES BASKET	1											
16	12023745	CESTILLO CUBIERTOS	CUTLERY BASKET	2											
17	12047509	RODILLO ELEVACIÓN CAPÓ	HOOD ASCENT ROLLER	2											
18	12007871	TURECA LATON G 5/8" DIN934	BRASS NUT G 5/8" DIN934	2											
19	12009947	JUNTA PLANA 32X21X3	FLAT SEAL 32X21X3	2											
20	12023739	TAPON CROMADO	CHROME COVERED CAP	2											




ITEM MARCADO EN COLOR = REPUESTO RECOMENDADO
 COLOURED ITEM = RECOMMENDED SPARE PART

N plano / Drawing N.	Firma / Signature	Fecha / Date	Aparato / Appliance	ASA-CAPOTA / HANDLE HOOD	Lamina / Sheet	Fagor Industrial S.Coop. FAGOR
C-3367	Iban R.	07-2015	LAVAVAJILLAS CO-142W	DISHWASHER	2	Oñate

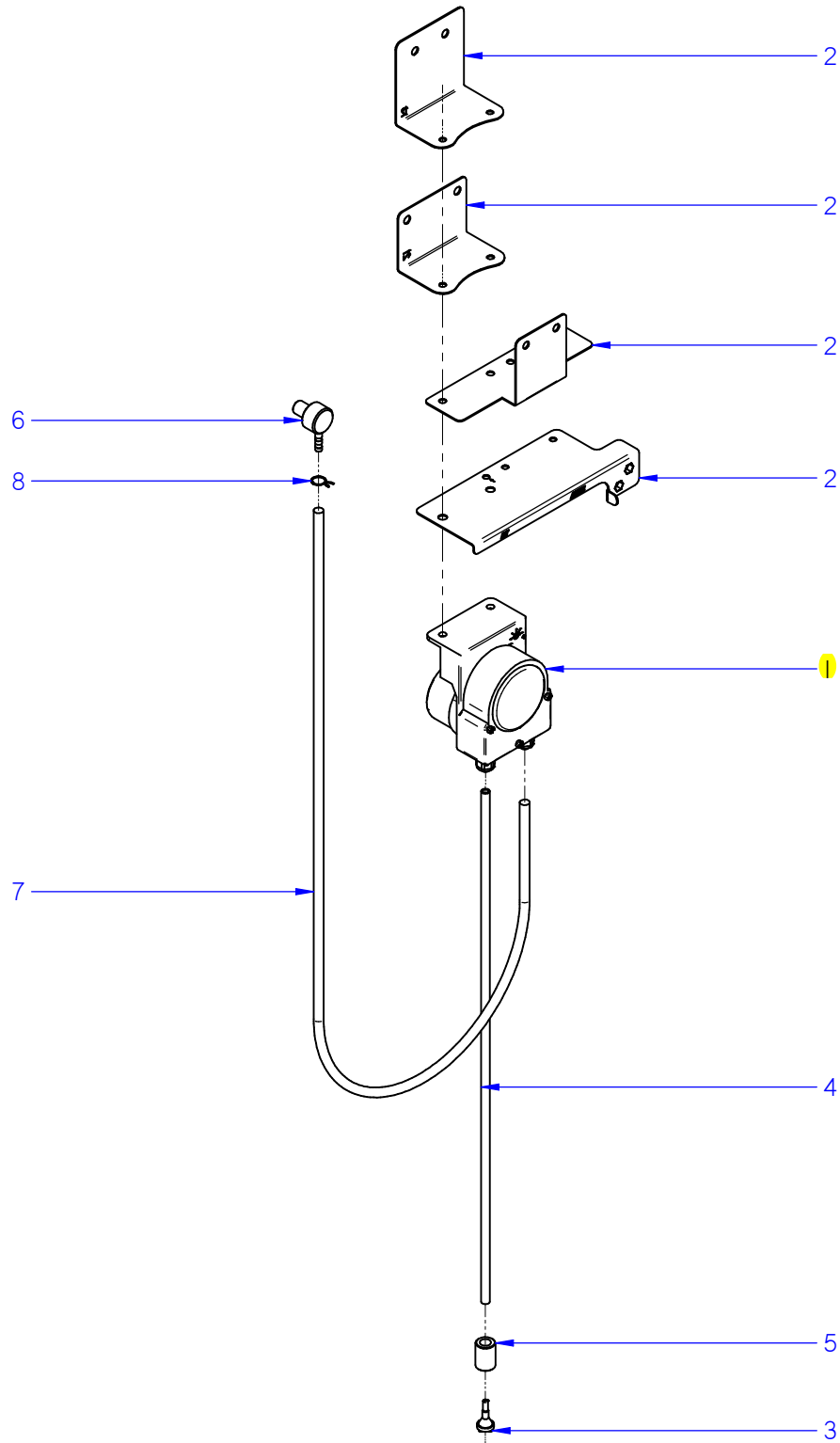
ITEM	REFERENCIA REFERENCE	DENOMINACIÓN	DENOMINATION	CO-142W										RECOMMENDED	ELIMINADO ELIMINATED	INTRODUCIDO INTRODUCED	NOTAS / NOTES
1	12096877	SOPORTE BLOQUEO SEGURIDAD	SECURITY LOCK SUPPORT	2													
2	12096881	VARILLA BLOQUEO SEGURIDAD	SECURITY LOCK ROD	2													
3	12096882	EJE BLOQUEO SEGURIDAD	SECURITY LOCK SHAFT	2													
4	12096883	TAPA BLOQUEO SEGURIDAD	SECURITY LOCK COVER	2													
5	12098128	SOPORTE DE GIRO EJE ASA	HANDLE AXIS ROD SUPPORT	2													
6	12047537	TOPE GOMA BIELA	CONNECTING ROD RUBBER END	4													
7	12096710	CASQUILLO APOYO MUELLE	SPRING SUPPORT BUSHING	2													
8	12098150	SISTEMA ELEVACION CAPOTA ADV.	HOOD ASCENT SYSTEM ADVANCE	1													
9	12098068	RODILLO ASA CAPOTA EVO	EVO HOOD HANDLE ROLLER	2													
10	12098073	TORNILLO RODILLO ASA EVO	HANDLE ROLLER SCREW	2													
11	12048836	MUELLE CAPOTA K7.5	HOOD SPRING K7.5	2													
12	12093162	JUNTA PLANA CARRIL	GUIDE'S PLANE SEAL	2													
13	12048915	GANCHO ROSCADO M10-L315	THREADED HOOK M10-L315	2													
14	12091140	CONJUNTO CAPO SIMPLE PARED	SIMPLE WALL HOOD ASSEMBLED	1													
15	12024980	AMORTIG. RD10FK 140N SUSPA	SHOCK ABSORVER RD10FK 140N	1													
16	12110409	MUELLE SIS. BLOQUEO CAPOTA	HOOD'S LOCK SYSTEM SPRING	2													
17	12025255	CASQUILLO RODANTE	ROLLING BUSHING	1													
18	12098217	SOPORTE AMORTIGUADOR	SHOCK ABSORVER SUPPORT	1													
19	12091573	CARRIL IZDO CAPOTA	HOOD'S LEFT GUIDE	1													
20	12091933	CARRIL DCHO CAPOTA	HOOD'S RIGHT GUIDE	1													
21	12010242	TORNILLO ESPECIAL M-5X13	SPECIAL SCREW M-5X13	2													



ITEM MARCADO EN COLOR = REPUESTO RECOMENDADO
 COLOURED ITEM = RECOMMENDED SPARE PART

N plano / Drawing N.	Firma / Signature	Fecha / Date	Aparato / Appliance	PARTE FUNCIONAL LAVADO / WASHING FUNCTIONAL PART	Lamina / Sheet	Fagor Industrial S.Coop. FAGOR
C-3368	Iban R.	07-2015	LAVAVAJILLAS COP-142W	DISHWASHER	3	
						Oñate

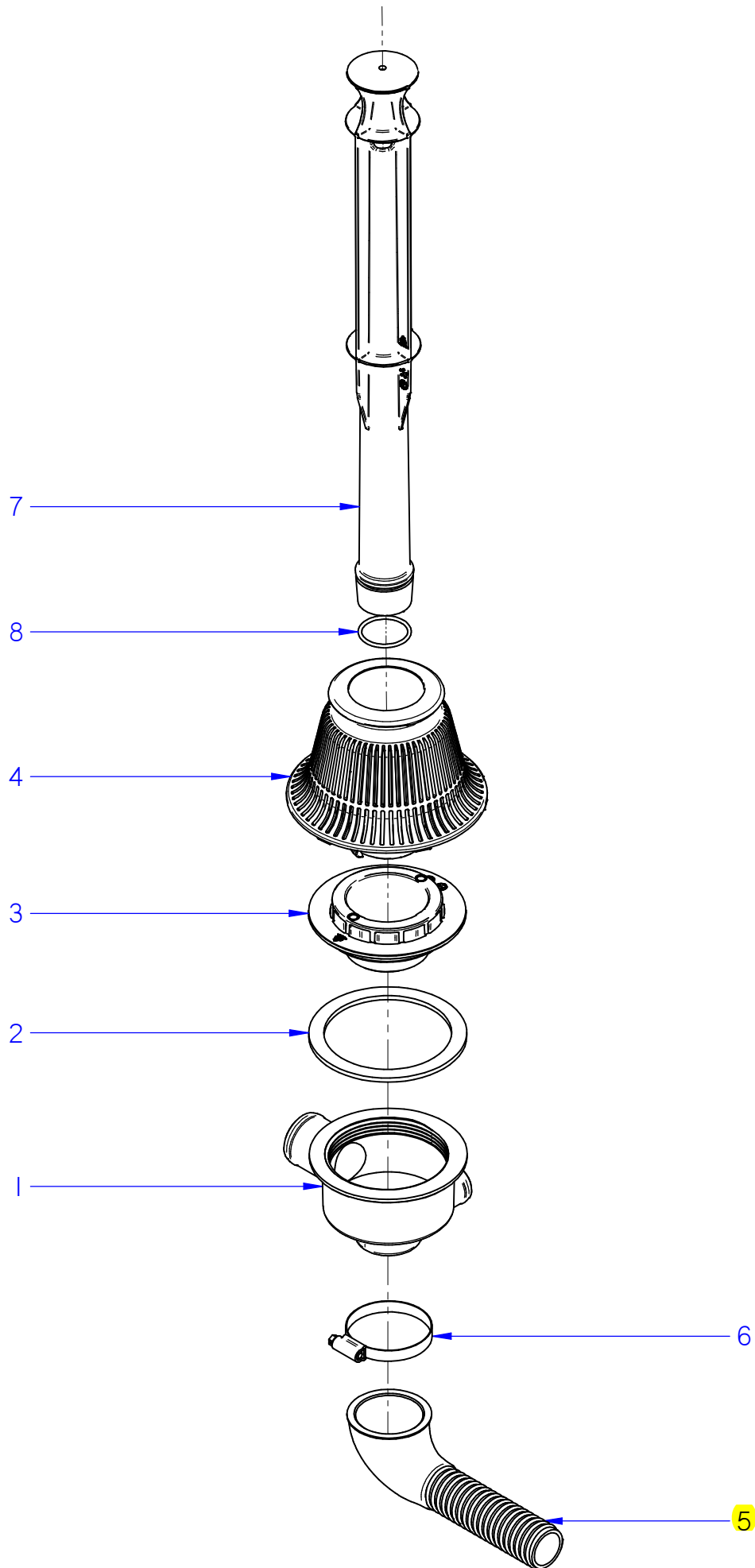
ITEM	REFERENCIA REFERENCE	DENOMINACIÓN	DENOMINATION	CO-142W										RECOMMENDED	ELIMINADO ELIMINATED	INTRODUCIDO INTRODUCED	NOTAS / NOTES
1	12046160	SOPORTE BOMBA LAVADO	WASHIG PUMP SUPPORT	2													
2	12102834	MOTOBOMBA 590KW 60Hz	WASHIG PUMP 590KW 60Hz	2										X			
3	12023556	BASE BOMBA LAVADO 1003016	WASHIG PUMP BASE 1003016	2													
4	12047910	SOP. DISTRIBUIDOR INFERIOR	LOWER SPRY-ARM SUPPORT	1													
5	12047688	CONDUCTO ASPIRACION 2 BOMB.	2 PUMP SUCTION PIPE	1													
6	12046162	CONDUCTO ASPIRACION	SUCTION PIPE	1													
7	12024376	CONDENSADOR 10MF	10MF CONDENSER	2										X			
8	12098457	JUNTA CIERRE BRAZO INOX	STAINLESS STEEL ARM SEAL	2													
9	12009962	ABRAZADERA 40-60	40-60 CLAMP	8													
10	12122473	BRAZO LAVAD-ACLAR. CAPOTA W	WASH-RINSE ARM W	1													
11	12024934	SOPORTE DISTRIBUIDOR RUPERIOR	UPPER SPRY-ARM SUPPORT	1													
12	12103243	BRIDA POSTERIOR BRAZO INOX	S.STEEL ARM BACK FLANGE	1													
13	12048171	ADAPTADOR RAMAS LAVADO 2 BOMB.	WASHING ARMS ADAPTER 2 PUMPS	1													
14	12003421	DISTRIBUIDOR COMPLETO	COMPLETE SPRY-ARM	2													
15	12025116	CASQUILLO DISTRIBUIDOR	SPRY-ARM'S BUSHING	2													
16	12023674	ARANDELA AMARRE	TIGHTEN UP WASHER	2													
17	12111791	DISTR. ACLARADO CONCEPT COMPL.	CONCEPT RINSE SPRY-ARM COMPL.	2													
17A	12113595	RAMA ACLARADO DCHA CONCEPT	CONCEPT RIGHT RINSING BRANCH	2													
17B	12113596	RAMA ACLARADO IZDA COMPLETA	CONCEPT LEFT RINSING BRANCH	2													
17C	12024470	SOPORTE RAMAS ACLARAD.COM	RINSING BRANCH SUPPORT	2													
17D	12024252	TOBERA ACLARADO	RINSING NOZZLE	12													
18	12112480	EJE LAVADO CAPOTA CONCEPT	WASHING SHAFT	1													
19	12113893	EJE ACLARADO CAPOTA CONCEPT	RINSING SHAFT CONCEPT	2													
20	12009829	TORNILLO ESPECIAL INOX M5X7MM	SPECIAL SCREW M5X7MM	2													
21	12047689	CODO IMPULSION COP110	COP110 EXPULSION ELBOW	1													
22	12047690	ARBOL LAVADO COP110 2 BOMBAS	COP110 2 PUMPS WASHING TREE	1													
23	12113860	EJE LAVADO ACLARADO CONCEPT W	RINSING SHAFT CONCEPT W	1													



ITEM MARCADO EN COLOR = REPUESTO RECOMENDADO
 COLOURED ITEM = RECOMMENDED SPARE PART

N plano / Drawing N.	Firma / Signature	Fecha / Date	Aparato / Appliance	KIT DOSIFICADOR DETERGENTE / DETERGENT DISPENSER KIT	Lamina / Sheet	Fagor Industrial S.Coop. FAGOR
C-3369	Iban R.	02-2015	LAVAVAJILLAS CO-142W	DISHWASHER	4	 FAGOR
						Note

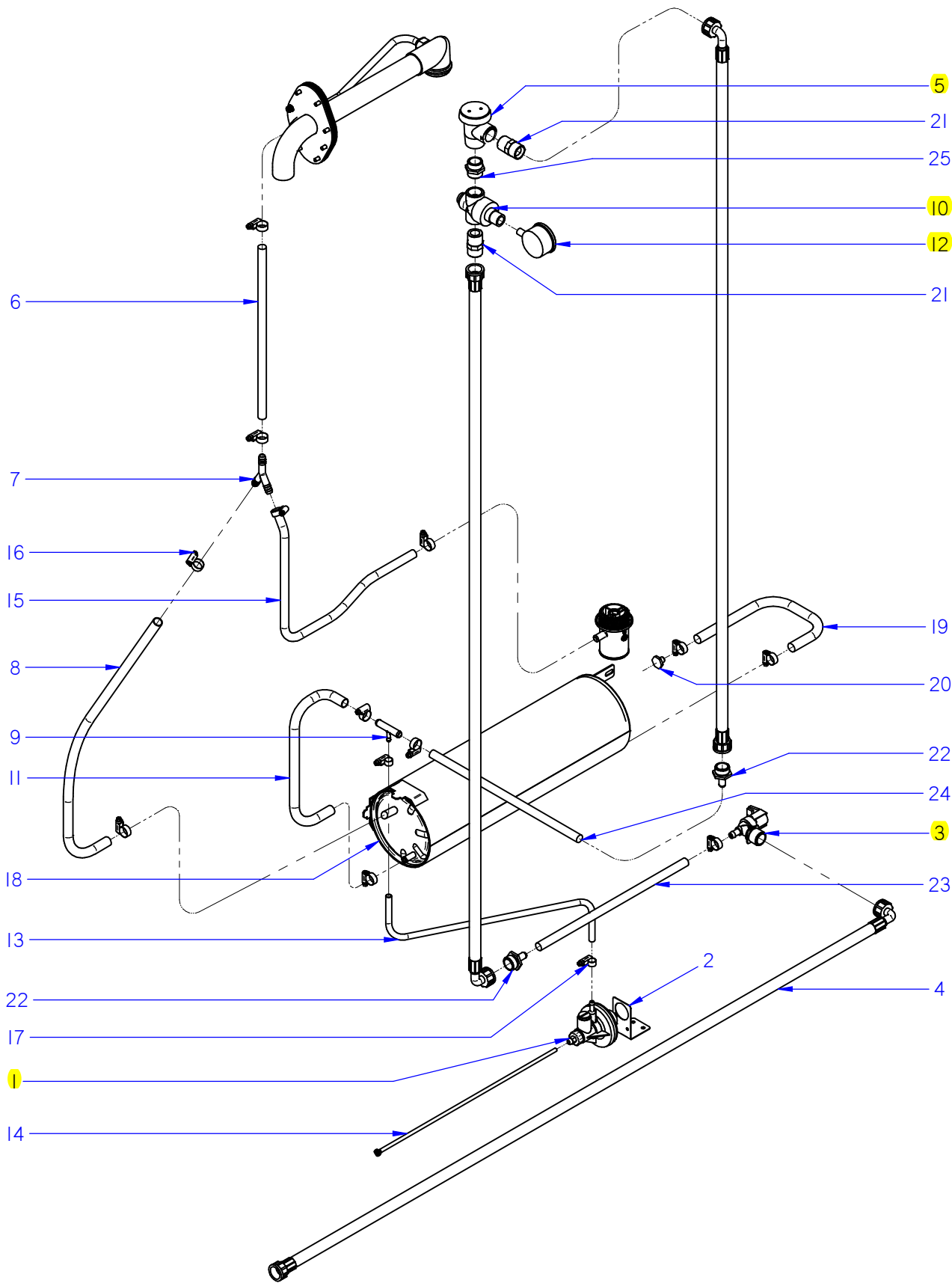
ITEM	REFERENCIA REFERENCE	DENOMINACIÓN	DENOMINATION	CO-142W DD											RECOMMENDED	ELIMINADO ELIMINATED	INTRODUCIDO INTRODUCED	NOTAS / NOTES
	19022347	KIT DOSIFICADOR DETERGENTE EVO	DETERGENT DISPENSER KIT EVO															
1	12024216	DOSIF. DGTE REGULABLE G300	DETERG. REGUL. DISPENSER	1											X			
2	12120598	SOP. DOSIFICADORES CAPOTA	DISPENSERS SUPPORT	1														CAPOTA - PASS-THOUGH
2	12046465	SOPORTE BOMBA PERISTALTICA	PERISTALTIC PUMP SUPPORT	1														LAVAVASOS 400
2	12049139	SOPORTE DOS. DETERGENTE 12	DISPENSERS SUPPORT	1														LAVAVASOS 350
2	12102040	SOP. DOSIF. DETERGENTE AF	DISPENSERS SUPPORT FRONT LOAD.	1														AP.FRONTAL - FRONT LOADING
3	12011355	FILTRO ASPIRACION	SUCTION FILTER	1														
4	12024139	CONDUCTO ASPIRACIÓN AZKOY	AZKOY SUCTION PIPE	1														
5	12024353	PESO FILTRO	FILTER'S WEIGHT	1														
6	12024531	INYECTOR DETERGENTE INOX	DETERGENT INJECTOR	1														
7	11000079	CONDUCTO DOSIF. TRANSP 6X4	DISPENSER TRANSPARENT PIPE	1														
8	12023707	BRIDA ELASTICA TUBO	ELASTIC CLAMP FOR PIPES	1														
	12024314	CABLEADO DOSIF. DETERGENTE	DETERGENT DISPENSER WIRING	1														



ITEM MARCADO EN COLOR = REPUESTO RECOMENDADO
 COLOURED ITEM = RECOMMENDED SPARE PART

N plano / Drawing N.	Firma / Signature	Fecha / Date	Aparato / Appliance	DESAGÜE / DRAINING PART	Lamina / Sheet	Fagor Industrial S.Coop. FAGOR
C-3370	Iban R.	02-2015	LAVAVAJILLAS CO-142W	DISHWASHER	5	FAGOR
						Note

ITEM	REFERENCIA REFERENCE	DENOMINACIÓN	DENOMINATION	CO-142W											RECOMMENDED		INTRODUCIDO INTRODUCED	NOTAS / NOTES
															ELIMINADO ELIMINATED	INTRODUCIDO INTRODUCED		
1	12048037	CUBETA 2 BOMBAS CAPOTA	PASS-THROUGH PAIL 2 PUMPS	1														
2	12048717	JUNTA TORICA O-126.35X5.33	O-RING O-126.35X5.33	1														
3	12048039	AMARRE CUBETA CAPOTA	PASS-THROUGH PAIL FASTENING	1														
4	12049652	FILTRO COMPLETO CONCEPT	COMPLETE FILTER CONCEPT	1														
5	12024473	MANGUERA DESAGÜE	DRAINING PIPE	1							X							
6	12009962	ABRAZADERA 40-60	40-60 CLAMP	1														
7	12120611	ALIVIADERO CONCEPT CAPOTA	PASSTHROUGH CONCEPT SPILLWAY	1														
8	12048748	JUNTA TÓRICA ALIVIADERO 37-32-2.5	SPILLWAY O-RING 37-32-2.5	1														



ITEM MARCADO EN COLOR = REPUESTO RECOMENDADO
 COLOURED ITEM = RECOMMENDED SPARE PART

N plano / Drawing N.	Firma / Signature	Fecha / Date	Aparato / Appliance	ACLARADO / RINSING PART	Lamina / Sheet	Fagor Industrial S.Coop. FAGOR
C-3371	Iban R.	02-2015	LAVAVAJILLAS CO-142W DISHWASHER		6	
						Oñate

ZONA / ZONE	PARTE FUNCIONAL ACLARADO / FUNCTIONAL RINSE PART	LÁMINA / DRAWING	C-3371	FAGOR 
-------------	--	------------------	--------	---

ITEM	REFERENCIA REFERENCE	DENOMINACIÓN	DENOMINATION	CO-142W								RECOMMENDED	ELIMINADO ELIMINATED	INTRODUCIDO INTRODUCED	NOTAS / NOTES
1	12045206	DOSIFICADOR ABRILL. AQUA	AQUA RINSE AID DISPENSER	1								X			
2	12092111	SOPORTE DOSIF. ABRILLANTADOR	RINSE-AID DISPENSER SUPPORT	1											
3	12095427	E.V SIMPLE 220V SALIDA A 90º	SIMPLE E.V 90º EXIT	1								X			
4	12024115	MANGUERA ENTRADA AGUA	WATER SUPPLY HOSE	3											
5	12023857	VALVULA ANTIRRETORNO W	NON-RETURN VALVE W	1								X			
6	11000083	TUBO GOMA NEGRA D 17x10	BLACK RUBBER PIPE D 17x10	1											
7	12023511	RACORD EN Y	Y FITTING	1											
8	11000083	TUBO GOMA NEGRA D 17x10	BLACK RUBBER PIPE D 17x10	1											
9	12025288	TOMA PRESION	PRESSURE FITTING	1											
10	12024846	REDUCTOR PRESION	PRESSURE REDUCER	1								X			
11	11000083	TUBO GOMA NEGRA D 17x10	BLACK RUBBER PIPE D 17x10	1											
12	12024625	MANOMETRO W NSF	W NSF MANOMETER	1								X			
13	11000070	TUBO GOMA NEGRO D 10,5*5	BLACK RUBBER PIPE D 10,5*5	1											
14	12024139	CONDUCTO ASPIRACIÓN AZKOY CO	AZKOY SUCTION PIPE	1											
15	11000083	TUBO GOMA NEGRA D 17x10	BLACK RUBBER PIPE D 17x10	1											
16	12010036	ABRAZADERA 12-20	12-20 CLAMP	10											
17	12010047	ABRAZADERA 8-14L	8-14L CLAMP	2											
18	12097081	CALDERIN CONCEPT SOLDADO	CONCEPT BOILER WELDED	1											
S/N	12128156	AMARRE CALDERIN DELANT. PROV.	PROVISSIONAL FRONT BOILER FIX.	1											ANTERIOR A / BEFORE 07-2015
S/N	12128157	AMARRE CALDERIN TRAS. PROVIS.	PROVISSIONAL REAR BOILER FIXING	1											ANTERIOR A / BEFORE 07-2015
19	11000083	TUBO GOMA NEGRA D 17x10	BLACK RUBBER PIPE D 17x10	1											
20	12041528	Tapon M10x1.5	M10x1.5 CAP	1											
21	12024060	MANGUITO 3/4"GAS-NPT	3/4"GAS-NPT CONNECTION	2											
22	12021747	EMPALME COMPLETO 3/4	COMPLETE 3/4 CONNECTION	2											
23	11000083	TUBO GOMA NEGRA D 17x10	BLACK RUBBER PIPE D 17x10	1											
24	11000083	TUBO GOMA NEGRA D 17x10	BLACK RUBBER PIPE D 17x10	1											
25	12024396	MANGUITO 3/4	3/4 CONNECTION	1											

C-3372

N plano / Drawing N.

Iban R.

Firma /
Signature

03-2015

Fecha / Date

LAVAVAJILLAS CO-142W DISHWASHER

Aparato / Appliance

CONJUNTO ELECTRICO / ELECTRICAL PART

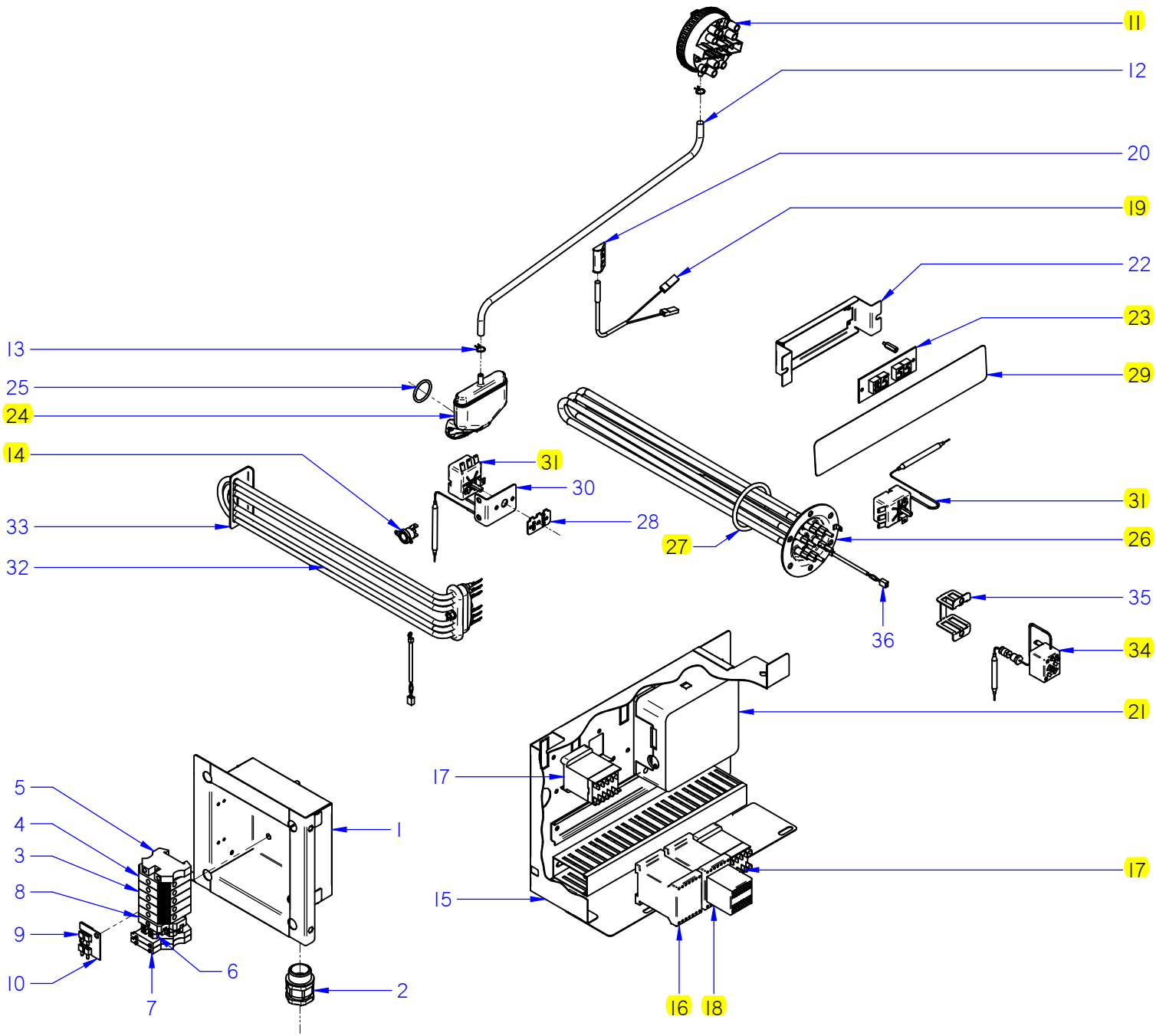
7

Lamina / Sheet

Onote

Fagor Industrial S. Coop. **FAGOR**

ITEM MARCADO EN COLOR = REPUESTO RECOMENDADO
COLOURED ITEM = RECOMMENDED SPARE PART



ZONA / ZONE	CONJUNTO ELECTRICO / ELECTRICAL PART	LÁMINA / DRAWING	C-3372	FAGOR 
--------------------	---	-------------------------	---------------	--

ITEM	REFERENCIA REFERENCE	DENOMINACIÓN	DENOMINATION	CO-142W							RECOMMENDED	ELIMINADO ELIMINATED	INTRODUCIDO INTRODUCED	NOTAS / NOTES
1	12120601	BASE CAJA CONEXIONES	CONNECTIONS BOX BASE	1										
2	12009927	PRENSA ESTOPAS PG-21	PG-21 CABLE GLAND	1										
3	12023373	BORNES 10 WDU-10203.O	10 WDU-10203.O TERMINAL	3										
4	12025224	BORNA DE PASO AZUL	BLUE TERMINAL	2										
5	12024743	BORNE TIER 10 WPE-10103.O	EARTH TERMINAL	1										
6	12025180	REGLETA BORNAJE 2 PISOS	2 LEVEL CONNECTION STRIP	2										
7	12025158	BORNAS PORTA FUSIBLES	FUSE HOLDER TERMINALS	2										
8	12024199	TOPE FINAL	FINAL END	1										
9	12103361	CONECTOR 2 VIAS 10mm 57A	2 WAY CONNECTOR 57A	3										
10	12103535	SOP. CONECTORES 2 VIAS	2 WAY CONNECTOR'S SUPP.	1										
11	12093675	PRESOSTAT. DOBLE 125/20-190/165	125/20-190/165 PRESSURE SWITCH	1							X			
12	11000066	TUBO GOMA NEGRO D 8x4	D 8x4 BLACK RUBBER PIPE	1										
13	12023707	BRIDA ELASTICA TUBO	ELASTIC CLAMP FOR PIPES	2										
14	12096597	TERM. SEG. 261B 110°C FAST 90	SEC. THERM. 261B 110°C FAST 90	1							X			
15	12047752	BASE CUADRO ELECTRICO	ELECTRIAL PANEL'S BASE	1										
16	12024040	CONTACTOR 230V 4VIAS UL	230V 4WAY UL CONTACTOR	2							X			
17	12024011	CONTACTOR 16A 4VIA UL	16A 4VIA CONTACTOR UL	2							X			
18	12123408	KIT CONTACTOR AUXILIAR 400V UL	KIT AUXILIARY CONTACTOR 400V UL	1							X			
19	12024477	INTERRUPTOR MAGNETICO	MAGNETIC SWITCH	1							X			
20	12024066	AMARRE INTERRUP. MAGNETICO	MAGNETIC SWITCH'S SUPPORT	1										
21	12008750	CONTROL TARJETA 5 REL. AC 50/60	5 REL. AC 50/60 CONTROL CARD	1							X			
22	12113583	SOPORTE DISPLAY W	W DISPLAY SUPPORT	1										
23	12010417	VISUALIZADOR LEDS 12V DC UL.	LEDS 12V DC UL DISPLAY	1							X			
24	12093146	CAMPANA TANQUE	TUB'S PRESSURE CHAMBER	1							X			
25	12093145	JUNTA TORICA CAMPANA	PRESSURE CHAMBER'S O-RING	1										
26	12023926	RESISTENCIA CALDERIN	BOILER RESISTOR	1							X			
27	12010051	JUNTA TÓRICA RESIS. CALDERIN	BOILER RESISTOR'S O-RING	1							X			
28	12044848	REGULADOR A 60°C Tt DE 85°C	60°C Tt DE 85°C REGULATOR	1										
29	12112958	EMBELLECEDOR CO-142W	CO-142W STICKER	1							X			
30	12102004	SOPORTE TERMOSTATO	THERMOSTAT SUPPORT	1										

ITEM	REFERENCIA REFERENCE	DENOMINACIÓN	DENOMINATION	CO-142W								RECOMMENDED	ELIMINADO ELIMINATED	INTRODUCIDO INTRODUCED	NOTAS / NOTES
31	12040858	TERMOSTATO 16A 85°C 6MM	THERMOSTAT 16A 85°C 6MM	2								X			
32	12045886	RESISTENCIA 4,5KW TRIPLE	TRIPLE RESISTOR 4,5KW	1								X			
33	12049715	SOPORTE RESISTENCIA TANQUE	TUB RESOSTOR SUPPORT	1											
34	12023830	LIMITADOR TECASA 125°C	TECASA THERMOSTAT 125°C	1								X			
35	12022151	AMARRE LIMITADOR TECASA	TECASA THERMOST. SUPPORT	1											
36	12025036	CONJUNTO Sonda 64kOHM NTC	64kOHM NTC THERMOSTAT	2											

ZONA / ZONE VARIOS / VARIOUS

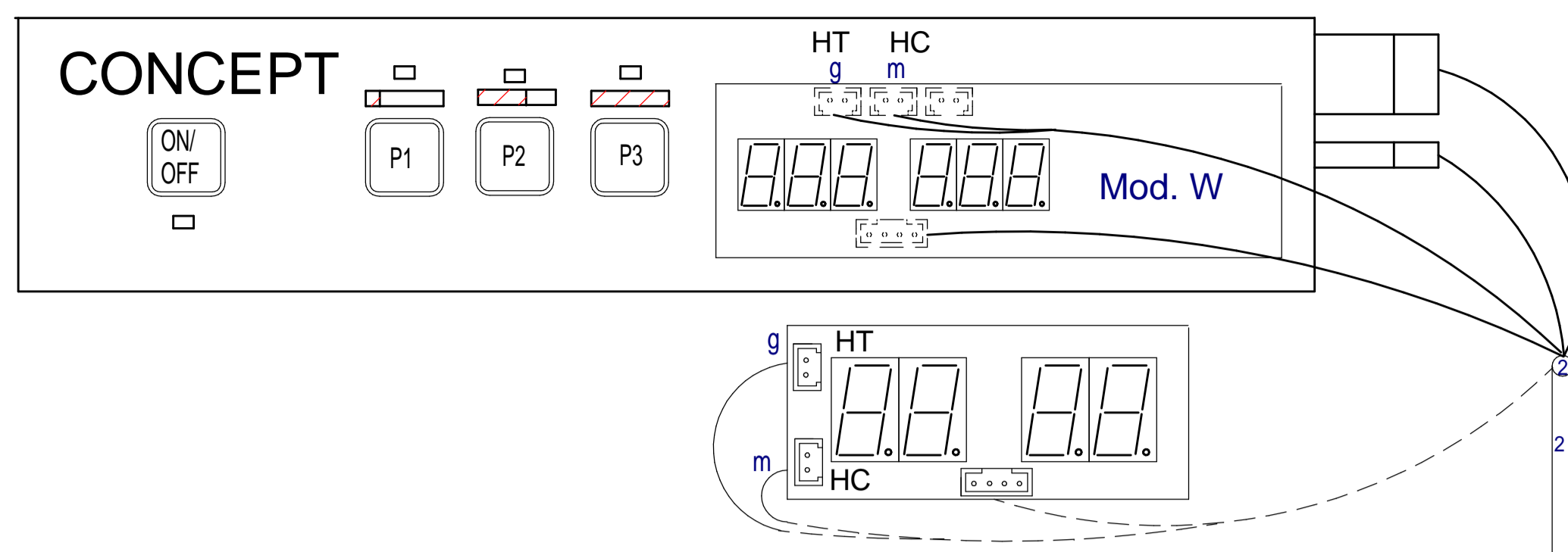
LÁMINA / DRAWING FAGOR 

ITEM	REFERENCIA REFERENCE	DENOMINACIÓN	DENOMINATION	CO-142W								RECOMMENDED	ELIMINADO ELIMINATED	INTRODUCIDO INTRODUCED	NOTAS / NOTES
	12009946	CABLEADO TENSOR	TENSIONER WIRING	2											
	12114419	CABL. PORTAMAN. CO 21, 64, 120, W	C.PANEL CO 21, 64, 120, W WIRING	1											
	12120045	INSTALACIÓN ELÉCTR CO 120 W UL	CO 120 W UL ELECTRICAL WIRING	1											

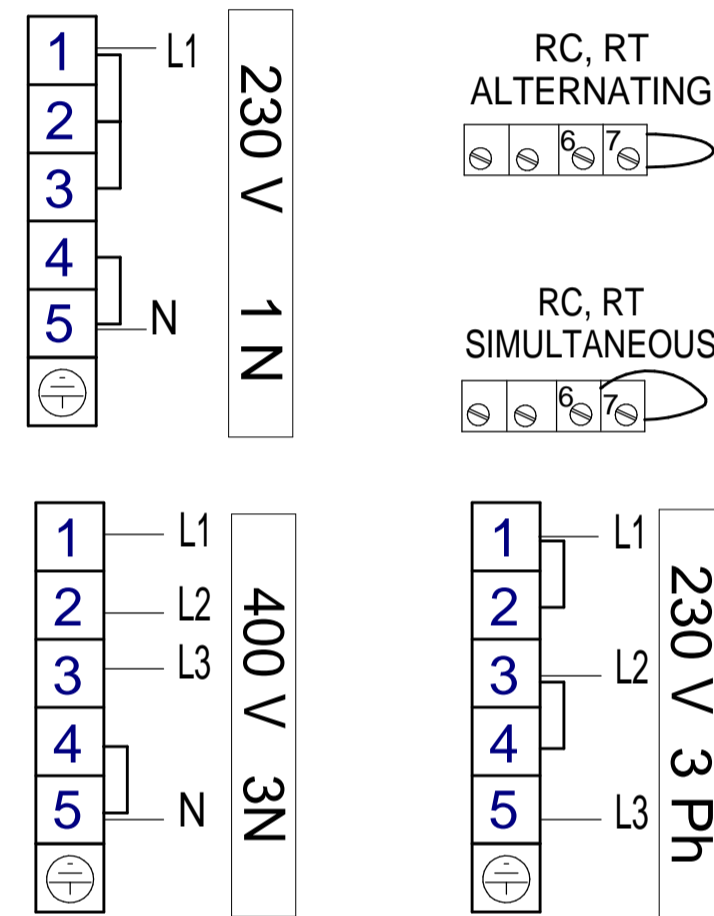
ZONA / ZONE	RECOMENDADOS / RECOMMENDED	LÁMINA / DRAWING	FAGOR 
-------------	----------------------------	------------------	---

ITEM	REFERENCIA REFERENCE	DENOMINACIÓN	DENOMINATION	CO-142W DD										ELIMINADO ELIMINATED	INTRODUCIDO INTRODUCED	NOTAS / NOTES
2	12102834	MOTOBOMBA 590KW 60Hz	WASHIG PUMP 590KW 60Hz	2												C-3368
7	12024376	CONDENSADOR 10MF	10MF CONDENSER	2												C-3368
1	12024216	DOSIF. DGTE REGULABLE G300	DETERG. REGUL. DISPENSER	1												C-3369
5	12024473	MANGUERA DESAGÜE	DRAINING PIPE	1												C-3370
1	12045206	DOSIFICADOR ABRILL. AQUA	AQUA RINSE AID DISPENSER	1												C-3371
3	12095427	E.V SIMPLE 220V SALIDA A 90º	SIMPLE E.V 90º EXIT	1												C-3371
5	12023857	VALVULA ANTIRRETORNO W	NON-RETURN VALVE W	1												C-3371
10	12024846	REDUCTOR PRESION	PRESSURE REDUCER	1												C-3371
12	12024625	MANOMETRO W NSF	W NSF MANOMETER	1												C-3371
11	12093675	PRESOSTAT. DOBLE 125/20-190/165	125/20-190/165 PRESSURE SWITCH	1												C-3372
14	12096597	TERM. SEG. 261B 110ºC FAST 90	SEC. THERM. 261B 110ºC FAST 90	1												C-3372
16	12024040	CONTACTOR 230V 4VIAS UL	230V 4WAY UL CONTACTOR	2												C-3372
17	12024011	CONTACTOR 16A 4VIA UL	16A 4VIA CONTACTOR UL	2												C-3372
18	12123408	KIT CONTACTOR AUXILIAR 400V UL	KIT AUXILIARY CONTACTOR 400V UL	1												C-3372
19	12024477	INTERRUPTOR MAGNETICO	MAGNETIC SWITCH	1												C-3372
21	12008750	CONTROL TARJETA 5 REL. AC 50/60	5 REL. AC 50/60 CONTROL CARD	1												C-3372
23	12010417	VISUALIZADOR LEDS 12V DC UL.	LEDS 12V DC UL DISPLAY	1												C-3372
24	12093146	CAMPANA TANQUE	TUB'S PRESSURE CHAMBER	1												C-3372
26	12023926	RESISTENCIA CALDERIN	BOILER RESISTOR	1												C-3372
27	12010051	JUNTA TÓRICA RESIS. CALDERIN	BOILER RESISTOR'S O-RING	1												C-3372
29	12112958	EMBellecedor CO-142W	CO-142W STICKER	1												C-3372
31	12040858	THERMOSTATO 16A 85ºC 6MM	THERMOSTAT 16A 85ºC 6MM	2												C-3372
32	12045886	RESISTENCIA 4,5KW TRIPLE	TRIPLE RESISTOR 4,5KW	1												C-3372
34	12023830	LIMITADOR TECASA 125ºC	TECASA THERMOSTAT 125ºC	1												C-3372

①	12120045
②	12115668
② W	12114419
④ HRS	12119239
Prensa estopas	12009927
Esquema teorico	12103187
Indicador de componentes	12022162
Leyenda	12103338

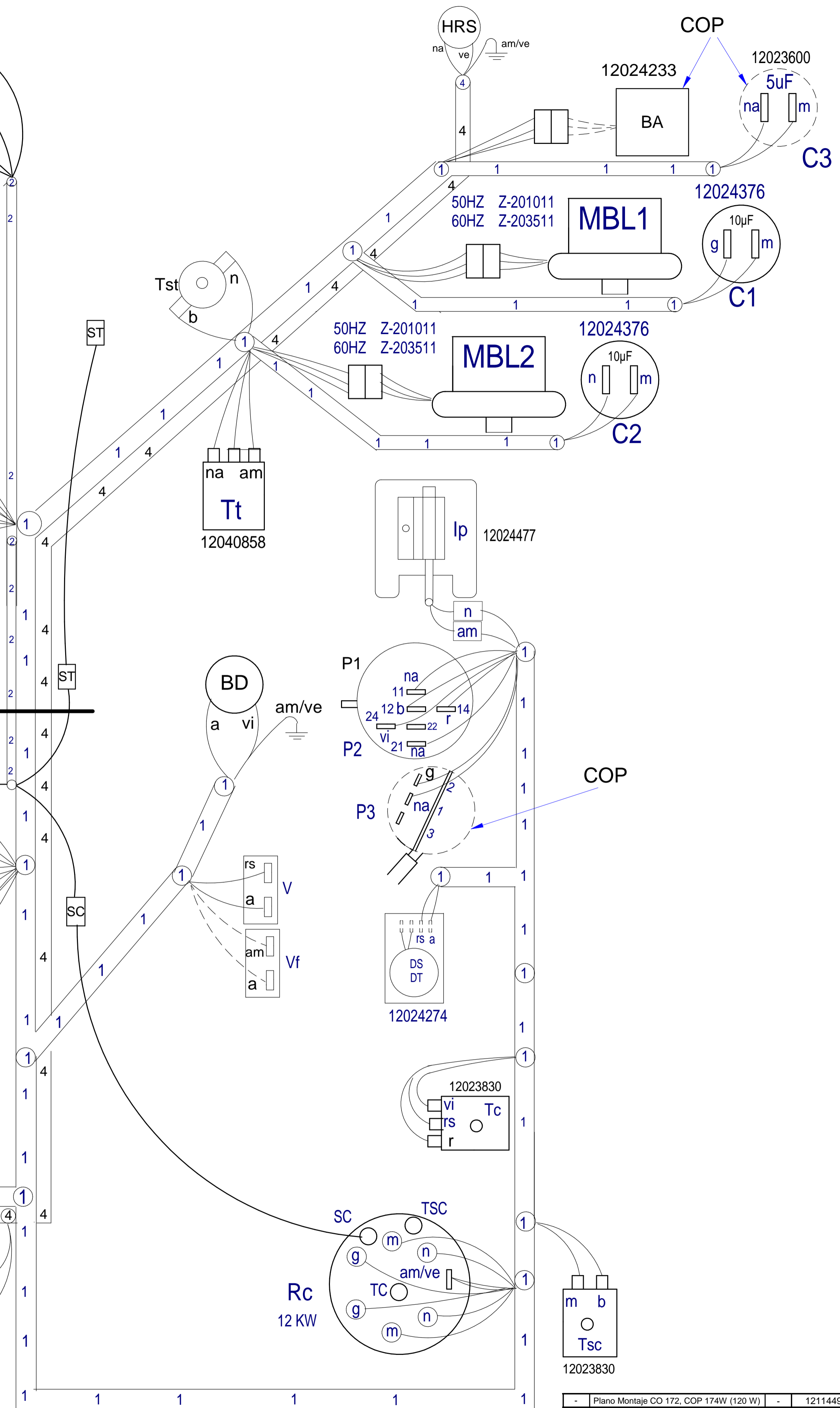
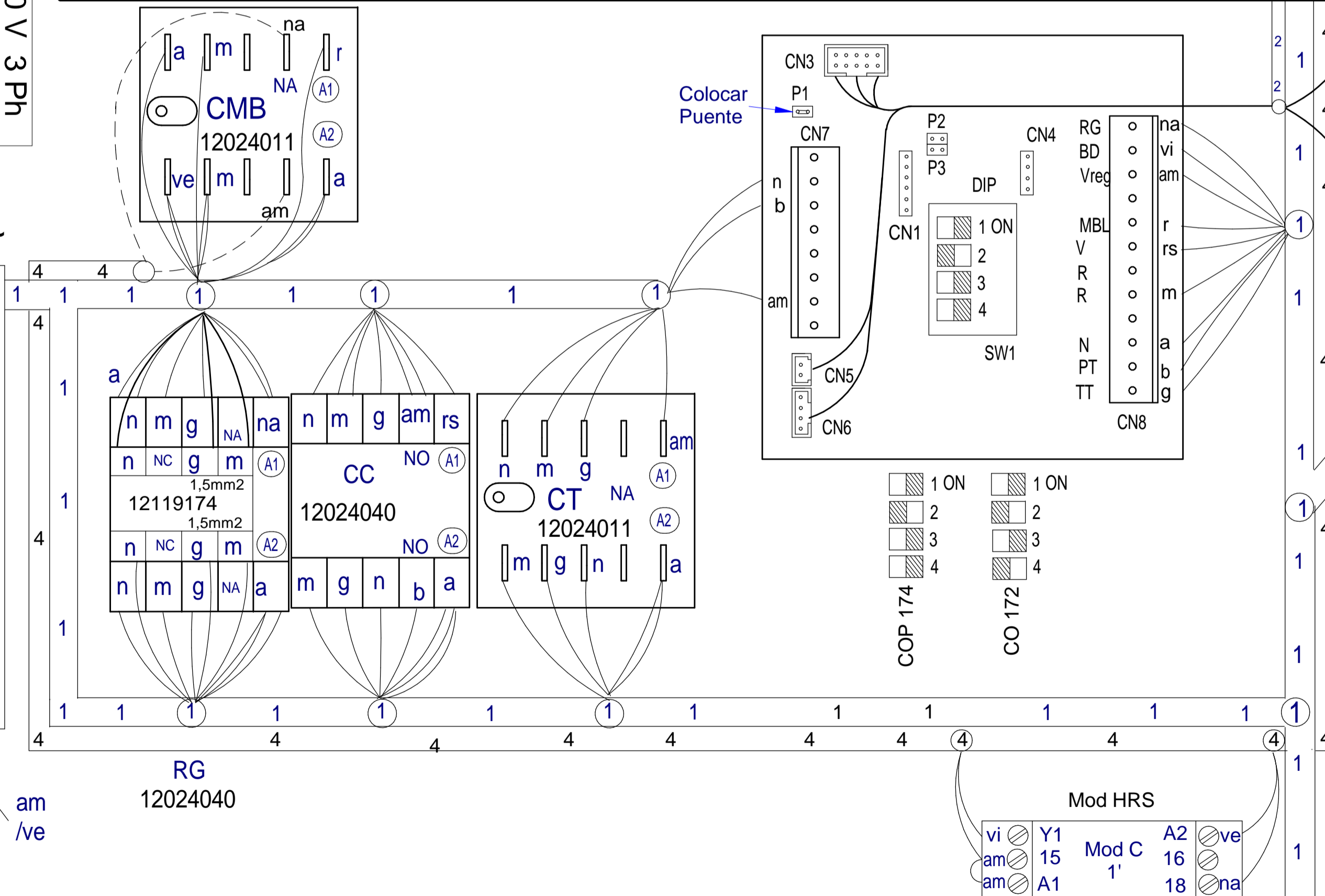
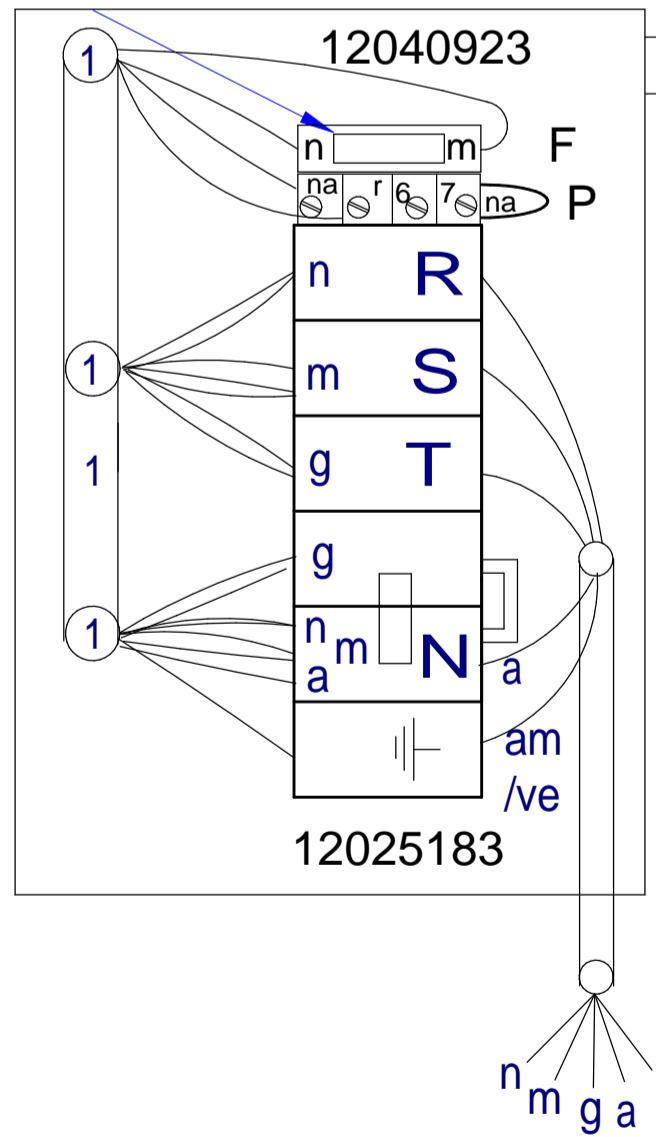


CO 172, COP 174W



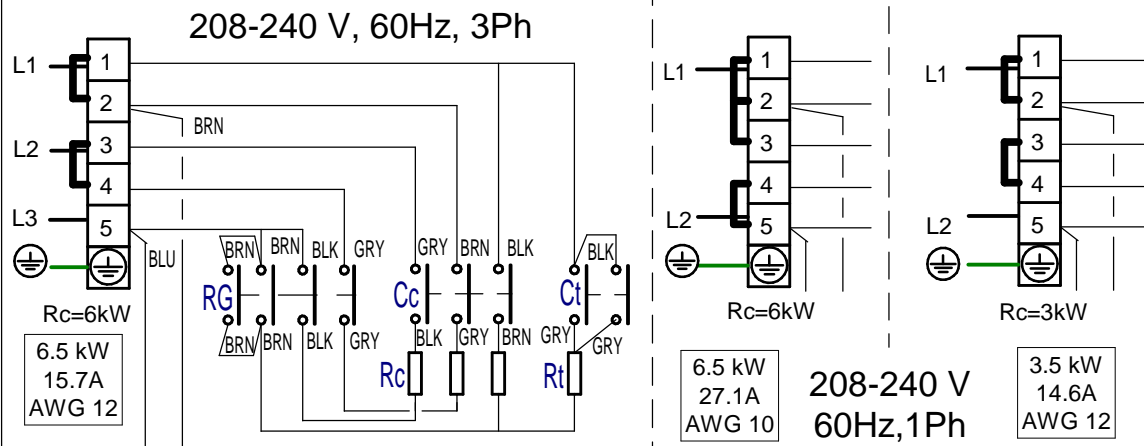
Nota: Todos los cables hembra que queden sin conectar se les colocaran una funda para macho Q-578006

Fusible 4A 400 V - 3N ~
12024333

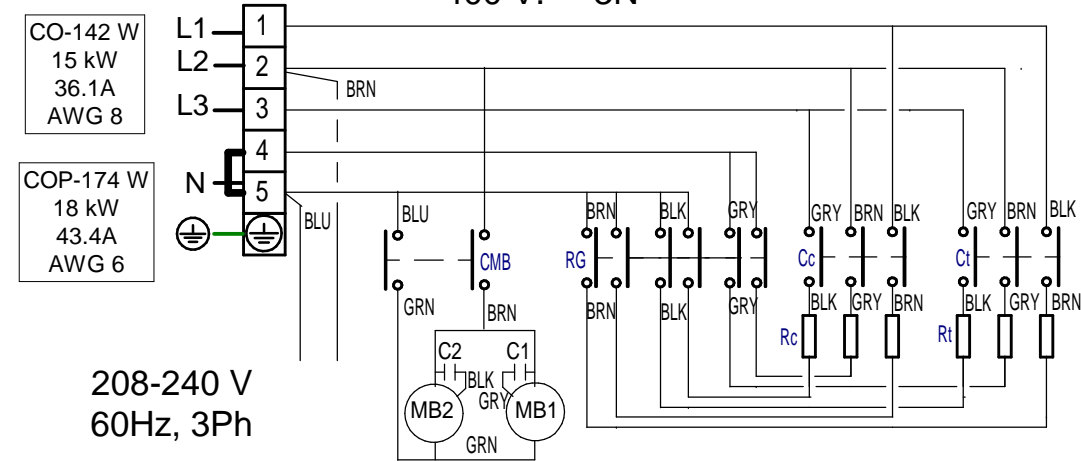


Nº		Plano Montaje CO 172, COP 174W (120 W)		12114495		MATERIAL		TREATMENT	
GENERAL TOLERANCES:		ISO 2768-1		Very Coarse		FAGOR		SHEET FORMAT: A1	
DESIGN CENTER:		LAVAVAJILLAS		M.Mello		A.G.		ON A	
MAT STATUS:		DESIGNED BY		VALIDATED BY		DATE		SHEET: 1 / 1	
DOC STATUS:		12.06.2014		SCALE:		1:1			
12114495		REVISION		PROPOSED BY:		ISSUE DATE:			

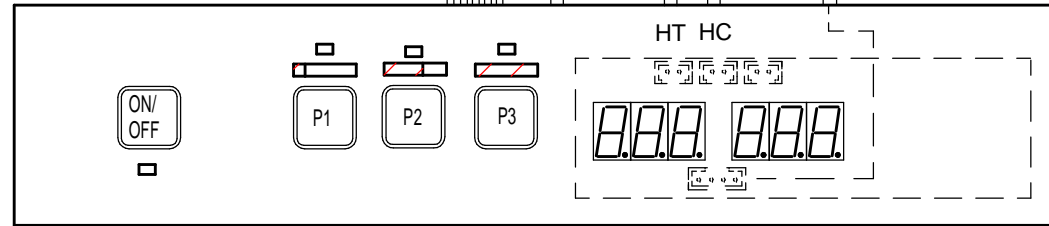
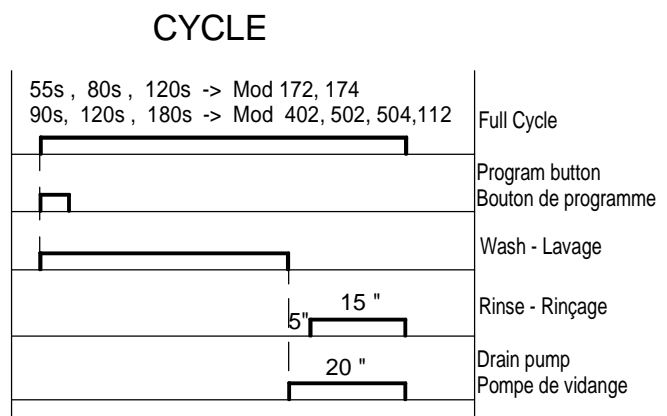
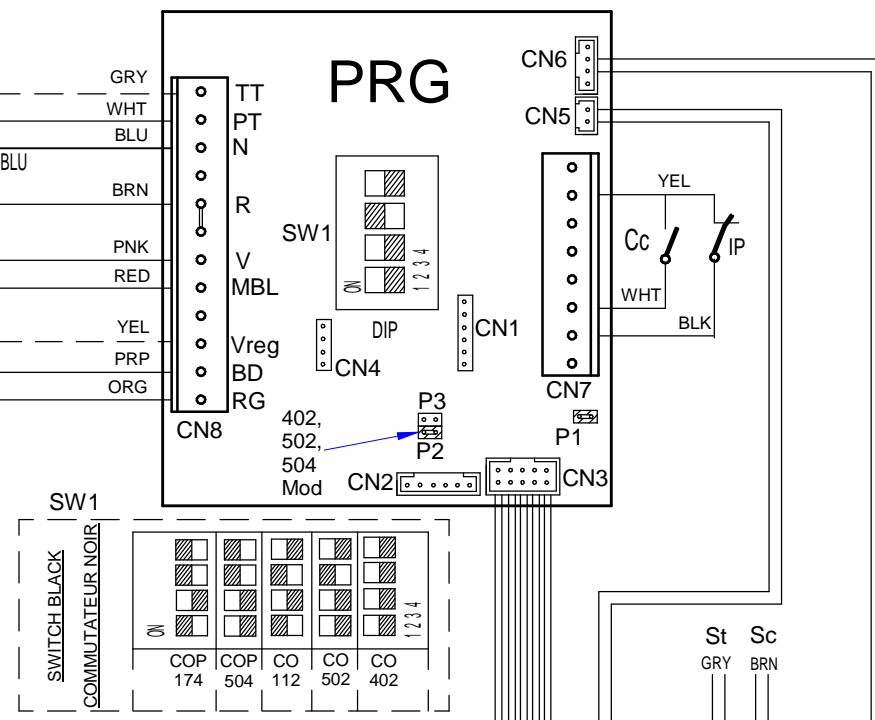
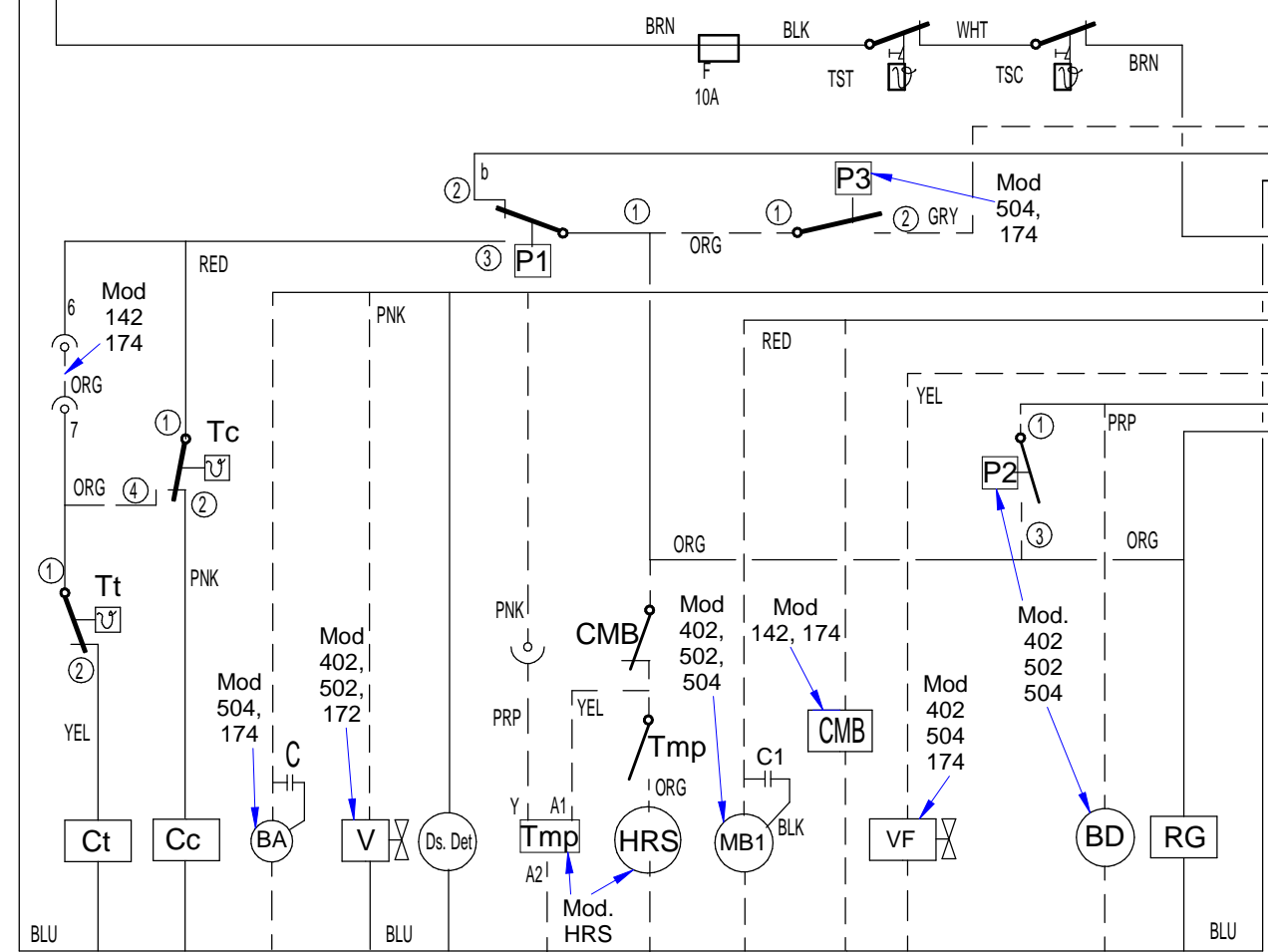
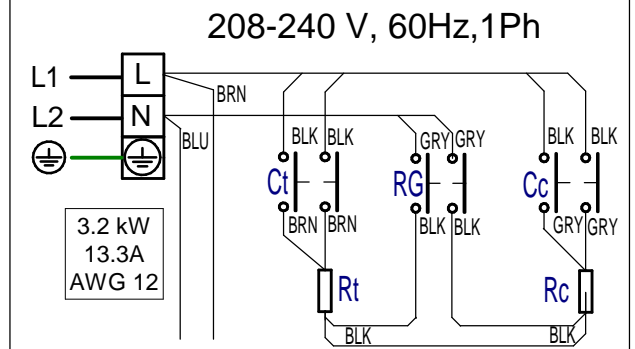
CO-502 W, COP-504 W



CO-142W, COP-174 W



CO-402 W



Ref. 12114451

-	Esquema Teorico CO XX2 W, COP XX4 W	-	12114451																																																																																		
Nº	TITLE	QTY	CODE	MATERIAL	TREATMENT																																																																																
GENERAL TOLERANCES: ISO 2768-1 Very Coarse		FAGOR		SHEET FORMAT:	A3																																																																																
LINEAR		ANGULAR		DESING CENTER:	ONA																																																																																
<table border="1"> <tr> <th></th> <th>Fine</th> <th>Medium</th> <th>Coarse</th> <th>Very Coarse</th> </tr> <tr> <td><3mm</td> <td>±0.05</td> <td>±0.10</td> <td>±0.15</td> <td>±0.20</td> </tr> <tr> <td>3-6mm</td> <td>±0.05</td> <td>±0.10</td> <td>±0.15</td> <td>±0.20</td> </tr> <tr> <td>6-30mm</td> <td>±0.10</td> <td>±0.20</td> <td>±0.30</td> <td>±0.40</td> </tr> <tr> <td>30-120mm</td> <td>±0.15</td> <td>±0.30</td> <td>±0.40</td> <td>±0.50</td> </tr> <tr> <td>120-400mm</td> <td>±0.20</td> <td>±0.40</td> <td>±0.50</td> <td>±0.60</td> </tr> <tr> <td>400-1000mm</td> <td>±0.30</td> <td>±0.50</td> <td>±0.60</td> <td>±0.80</td> </tr> <tr> <td>1000-2000mm</td> <td>±0.50</td> <td>±0.80</td> <td>±1.00</td> <td>±1.20</td> </tr> </table>			Fine	Medium	Coarse	Very Coarse	<3mm	±0.05	±0.10	±0.15	±0.20	3-6mm	±0.05	±0.10	±0.15	±0.20	6-30mm	±0.10	±0.20	±0.30	±0.40	30-120mm	±0.15	±0.30	±0.40	±0.50	120-400mm	±0.20	±0.40	±0.50	±0.60	400-1000mm	±0.30	±0.50	±0.60	±0.80	1000-2000mm	±0.50	±0.80	±1.00	±1.20	<table border="1"> <tr> <th></th> <th>Fine</th> <th>Medium</th> <th>Coarse</th> <th>Very Coarse</th> </tr> <tr> <td><10mm</td> <td>±1°</td> <td>±1°30'</td> <td>±2°</td> <td>±3°</td> </tr> <tr> <td>10-50mm</td> <td>±30'</td> <td>±1°</td> <td>±1°</td> <td>±1°</td> </tr> <tr> <td>50-120mm</td> <td>±20'</td> <td>±30'</td> <td>±30'</td> <td>±1°</td> </tr> <tr> <td>120-400mm</td> <td>±10'</td> <td>±15'</td> <td>±30'</td> <td>±30'</td> </tr> <tr> <td>>400mm</td> <td>±5'</td> <td>±10'</td> <td>±20'</td> <td>±20'</td> </tr> </table>			Fine	Medium	Coarse	Very Coarse	<10mm	±1°	±1°30'	±2°	±3°	10-50mm	±30'	±1°	±1°	±1°	50-120mm	±20'	±30'	±30'	±1°	120-400mm	±10'	±15'	±30'	±30'	>400mm	±5'	±10'	±20'	±20'	<table border="1"> <tr> <td>DESIGNED BY</td> <td>VALIDATED BY</td> <td>DATE</td> <td>SHEET:</td> <td>1 / 1</td> </tr> <tr> <td>M.Maillo</td> <td>A.gallastegui</td> <td>11.06.2014</td> <td>SCALE:</td> <td>1:1</td> </tr> </table>		DESIGNED BY	VALIDATED BY	DATE	SHEET:	1 / 1	M.Maillo	A.gallastegui	11.06.2014	SCALE:	1:1
	Fine	Medium	Coarse	Very Coarse																																																																																	
<3mm	±0.05	±0.10	±0.15	±0.20																																																																																	
3-6mm	±0.05	±0.10	±0.15	±0.20																																																																																	
6-30mm	±0.10	±0.20	±0.30	±0.40																																																																																	
30-120mm	±0.15	±0.30	±0.40	±0.50																																																																																	
120-400mm	±0.20	±0.40	±0.50	±0.60																																																																																	
400-1000mm	±0.30	±0.50	±0.60	±0.80																																																																																	
1000-2000mm	±0.50	±0.80	±1.00	±1.20																																																																																	
	Fine	Medium	Coarse	Very Coarse																																																																																	
<10mm	±1°	±1°30'	±2°	±3°																																																																																	
10-50mm	±30'	±1°	±1°	±1°																																																																																	
50-120mm	±20'	±30'	±30'	±1°																																																																																	
120-400mm	±10'	±15'	±30'	±30'																																																																																	
>400mm	±5'	±10'	±20'	±20'																																																																																	
DESIGNED BY	VALIDATED BY	DATE	SHEET:	1 / 1																																																																																	
M.Maillo	A.gallastegui	11.06.2014	SCALE:	1:1																																																																																	
GENERAL TOLERANCE FOR FORM AND POSITION: ISO 2768-2		LAVAVAJILLAS																																																																																			
12114451		REVISION																																																																																			
PROPOSED BY: -			ISSUE DATE:																																																																																		

LEYENDA APERTURA FRONTAL Y CAPOTA

	ESPAÑOL	ENGLISH	FRANÇAIS	DEUTSCH	ITALIANO	中文
Ⓐ Ⓑ	Puntos de conexion con R	Conecction point with R	Points de connexion R	Anschlußpunkte mit R	Punti di collegamento con R	带R接触点
BA	Bomba Aclarado	Rinse pump				
BD	Bomba desagüe	Drain pump	Pompe de vidange	Abflußpumpe	Pompa scarico	排水泵
C1, C2, C3	Condensador	Condenser	Condensateur	Kondensator	Condensatore	电容
CMB	Contactora bomba lavado	Wash pump contactor	Contacteur pompe lavage	Türrelais	Contattore pompa lavaggio	清洗泵接触器
Cc	Contactora calentamiento calderin	Boiler heating contactor	Contacteur chauff. surchauffeur	Kontaktschutz Waschpumpe	Contattore riscaldamento boiler	升温箱加热接触器
Ct	Contactora calentamiento tanque	Tank heating contactor	Contacteur chauffage cuve	Kontaktschutz Boilerheizung	Contattore riscaldamento serbatoio	水箱加热接触器
CP	Rele puerta	Door relay	Relais porte	Kontaktschutz Heizung Tank	Rele porta	门继电器
Ds.	Dosificador	Detergent doser	Dosseur	Dosierer Spülmittel	Dosatore detersivo	清洗剂药液泵
E.B	Electrobomba de presion	Electric pressure pump	Electropompe de pression	Elektro-Drucksteigerungspumpe	Electropompa pressione	电子压力泵
IG	Interruptor general	Main switch	Interrupteur general	Hauptschalter	Interruttore generale	主开关
IP	Micro puerta	Door microswitch	Micro porte	Mikroschalter Tür	Micro porta	门磁开关
H1	Piloto de encendido	Operation light	Voyant fonctionnement	Betriebsanzeigelampe	Spia accensione	运行指示灯
H2	Piloto marcha	Start light	Voyant demarrage	Startanzeigelampe	Spia avvio	开始指示灯
H3	Piloto maquina preparada	Light machine ready	Voyant machine prêt	Betriebsbereitschaftsanzeigelampe	Pilota macchina preparata	加热完成指示灯
HSal	Piloto falta de Sal	Light Lack of Salt				
MB1, MB2	Bomba lavado	Wash pump	Pompe lavage	Waschpumpe	Pompa lavaggio	清洗泵
M	Motor programador	Motor programmer	Moteur du programmeur	Motor Programmiervorrichtung	Motore programmatore	程序电机
M Av. R	Motor program. avance rapido	Motor program. rapid advance	Moteur du progr.avance rapide	Motor Programmiervorrich. Betrieb	Motore programmatore avanzamento rapido	程序电机 高速高级
M1	Micro programador marcha	Micro programmer on	Micro du programm. de marche	Motor Programmiervorrich. Waschen	Micro programma. di funzionamento	微程序 开
M2	Micro programador lavado	Micro programmer wash	Micro du programm. de lavage	Motor Programmiervorrich. Spülen	Micro programmatore di lavaggio	微程序 清洗
M3	Micro programador aclarado	Micro programmer rinse	Micro du programm. de rinçage	Motor Programmiervorrich. Vorlauf	Micro programmatore di risciacquo	微程序 喷淋
M4, M5	Micro programador avance	Micro programmer advance	Micro du programm. avance	Motor Programmiervorrich. schneller Vorlauf	Micro programmatore avanzamento	微程序 高级
P1, P3	Presostato	Pressure switch	Pressostat	Druckwächter	Pressostato	压力开关
P2	Presostato limitador	Hi-limit pressure switch	Pressostat de sécurité	Begrenzer Druckwächter	Pressostato limitatore	高水位限制 压力开关
R	Rele de Generador de A.C.	Generator relay	Relais du Generateur	Relais Generator	Rele Generatore	热水供应器继电器
RG	Rele General	Main Relay		Stromversorgungsanschluß Gener.		
Ⓒ Ⓓ Ⓔ Ⓕ	Alimentac. Generador A.C.	Water heater feeding	Alimentation generateur		Alimentazione generatore	热水供应器电源线
RC	Resistencia calderin	Boiler heating element	Resistance surchauffeur	Heizwiderstand Boiler	Resistenza boiler	升温箱加热管
RT	Resistencia tanque	Tank heater	Resistance cuve	Heizwiderstand Tank	Resistenza serbatoio	水箱加热管
Tt	Termostato tanque	Tank thermostat	Thermostat de cuve	Thermostat Tank	Termostato serbatoio	水箱温控器
TC	Termostato calderin	Boiler thermostat	Thermostat surchauffeur	Thermostat kessel	Termostato boiler	升温箱温控器
Tst	Limitador tanque	Tank limiter	Limiteur de cuve	Begrenzer Tank	Limitatore serbatoio	水箱安全温控器
TSC	Limitador calderin	Boiler Hi-limit	Limiteur surchauffeur	Begrenzer Boiler	Limitatore boiler	升温箱安全温控器
TSTP	Termostato termo-stop	Termo-stop Thermostat	Thermostat Termo-stop	Thermostat Termo-stop	Termostato Termo-stop	温度停止温控器
V	Electrovalvula llenado y aclarado	Fill and rinse valve	Electrovan. remplissage rinçage	Elektroventil Füllen und Spülen	Elettroval. riempimento e risciacquo	电磁阀
Vf	Electrovalvula Aclarado Frio	Cold Water rinse valve				
VR1, VR2, VR3, BR	Electrovalvula Descalcificacion	Soft Water valve				
VE,	Ventilador cuadro electrico	Switchboard fan	Ventilateur tableau electrique	Schalttafelventilator	Ventilatore quadro elettrico	风机
HRS	Sistema recuperacion energia	Heat Recovery System				
COLOR	COLORES	COLOUR	COULEURS	FARBEN	COLORE	颜色
a = BLU =	Azul	Blue	Bleu	Blau	Blu	蓝
am = YEL =	Amarillo	Yellow	Jaune	Gelb	Giallo	黄
am/ve = YEL/GRN	Amarillo/verde	Yellow / green	Jaune / vert	Gelb/grün	Giallo/verde	黄/绿
b = WHT =	Blanco	White	Blanc	Weiß	Bianco	白
g = GRY =	Gris	Grey	Gris	Grau	Grigio	灰
m = BRN =	Marrón	Brown	Marron	Braun	Marrone	棕
n = BLK =	Negro	Black	Noir	Schwarz	Nero	黑
na = ORG =	Naranja	Orange	Orange	Orange	Arancio	橙
r = RED =	Rojo	Red	Rouge	Rot	Rosso	红
rs = PNK =	Rosa	Pink	Rose	Rosa	Roseo	粉
ve = GRN =	Verde	Green	Vert	Grün	Verde	绿
vi = PRP =	Violeta	Purple	Violet	Violett	Viola	紫

12103338