

---

DESPIECE TECNICO

---

**Hornos Mixtos Gas  
Fours Mixtes á Gaz  
Combined Gas Ovens  
Gas-Konvektionsöfen  
Forni Misti a Gas**

**SERIE "EVOLUTION"**

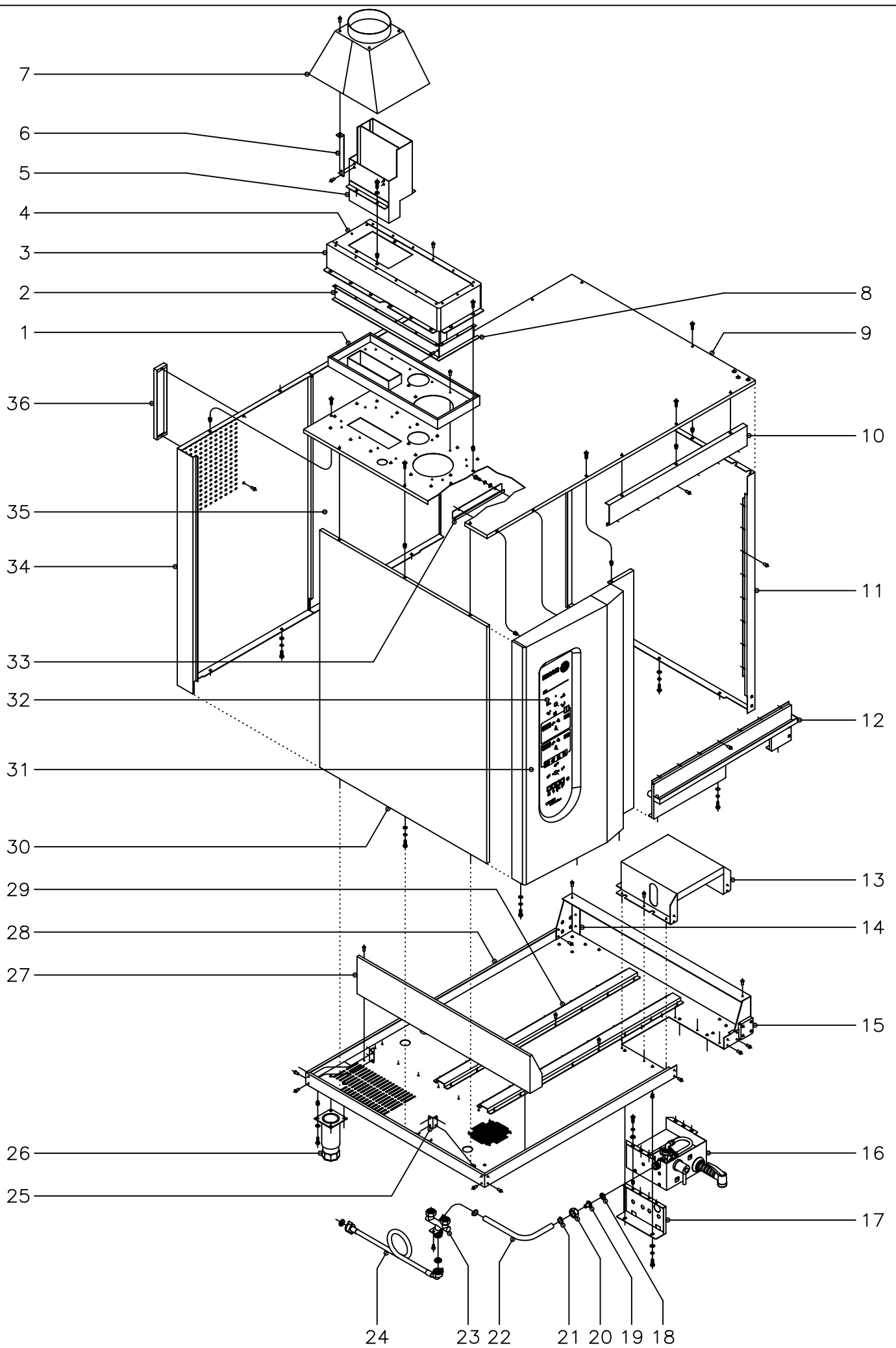
**Modelos:**

**HGV-10/21**

*Febrero 2005 February*



**Fagor Industrial**



N plano  
C-1625

Firma  
*[Signature]*

Fecha  
2-2005

Aparato  
MUEBLE  
HORNO A GAS HGV-10/21

Lamina  
1

Fagor Industrial S.Coop. **FAGOR**  
Onate


MOD.		HORNO A GAS		ZONA		MUEBLE					PLANO		C-1625
ITEM	CODIGO	DENOMINACION	TEXTO	HGV-10/21									NOTAS
1	T302820	Bandeja de colector completa	Complete tray manifold	1									
	Q412002	Remache tubular Ø4x7,5	Tubular rivet Ø4x7.5	15									
2	T302824	Lateral camara colector	Manifold chamber side	2									
	Q412002	Remache tubular Ø4x7,5	Tubular rivet Ø4x7.5	4									
3	T302822	Anterior colector	Manifold front	1									
	Q152004	Tornillo aplastado M-5x13	Flat screw M-5x13	14									
	Q222011	Remache exagonal M-5	Hexagonal rivet M-5	14									
4	T302823	Posterior de colector	Manifold rear	1									
	Q152004	Tornillo aplastado M-5x13	Flat screw M-5x13	2									
	Q222011	Remache exagonal M-5	Hexagonal rivet M-5	2									
	Q412002	Remache tubular Ø4x7,5	Tubular rivet Ø4x7.5	21									
5	T122816	Salida colector completa	Complete manifold outlet	1									
	Q012031	Tornillo exagonal M-5x10	Hexagonal screw M-5x10	3									
	Q232030	Arandela plana A-5	Flat washer A-5	3									
	Q222011	Remache exagonal M-5	Hexagonal rivet M-5	3									
6	T112815	Soporte chimenea	Chimney holder	4									
	Q412002	Remache tubular Ø4x7,5	Tubular rivet Ø4x7.5	12									
7	T122820	Chimenea exterior completa	Complete external chimney	1									
8	T302825	Posterior y anteri. camara colector	Manifold chamber rear and	2									
9	T302810	Panel superior exterior	Outer upper panel	1									
	Q221342	Remache exagonal M-5	Hexagonal rivet M-5	13									
	Q152004	Tornillo aplastado M-5x13	Flat screw M-5x13	13									
10	T302804	Panel anterior superior	Upper front panel	1									
	Q412002	Remache tubular Ø4x7,5	Tubular rivet Ø4x7.5	7									Amarre a cuba
11	T302803	Panel exterior derecho	Right outer panel	1									
	Q012042	Tornillo exagonal M-6x15	Hexagonal screw M-6x15	3									Amarre inferior
	Q262040	Arandela grower A-6	Grower washer A-6	3									Amarre inferior
	Q232040	Arandela plana A-6	Flat washer A-6	3									Amarre inferior
	Q221343	Remache exagonal M-6	Hexagonal rivet M-6	3									Amarre inferior

MOD.		HORNO A GAS		ZONA	MUEBLE						PLANO	C-1625
ITEM	CODIGO	DENOMINACION	TEXTO	HGV-10/21								NOTAS
	Q412002	Remache tubular Ø4x7,5	Tubular rivet Ø4x7.5	7								Amarre a cuba
12	T302800	Recogeaguas completo	Complete water collector	1								
	Q012042	Tornillo exagonal M-6x15	Hexagonal screw M-6x15	3								Amarre inferior
	Q262040	Arandela grower A-6	Grower washer A-6	3								Amarre inferior
	Q232040	Arandela plana A-6	Flat washer A-6	3								Amarre inferior
	Q221343	Remache exagonal M-6	Hexagonal rivet M-6	3								Amarre inferior
	Q412002	Remache tubular Ø4x7,5	Tubular rivet Ø4x7.5	7								Amarre a cuba
13	T302830	Alojamiento ducha	Shower housing	1								
	Q412002	Remache tubular Ø4x7,5	Tubular rivet Ø4x7.5	13								Amarre a base
14	T302816	Refuerzo apoyo base posterior	Rear base reinforcement	1								
	Q412002	Remache tubular Ø4x7,5	Tubular rivet Ø4x7.5	6								Amarre a base
15	T302836	Refuerzo apoyo base anterior com.	Com. front base holder rein	1								
	Q412002	Remache tubular Ø4x7,5	Tubular rivet Ø4x7.5	6								Amarre a base
	<b>110002860</b>	<b>KIT DUCHA HORNO 10 / 21</b>	<b>OVEN SHOWER KIT 10 / 2</b>	<b>1</b>								
16	Z279506	Grupo ducha mini	Mini shower group	1								Componente kit
	Q152004	Tornillo aplastado M-5x13	Flat screw M-5x13	6								Componente kit
	Q262030	Arandela grower A-5	Grower washer A-5	6								Componente kit
	Q232030	Arandela plana A-5	Flat washer A-5	6								Componente kit
	Q221342	Remache exagonal M-5	Hexagonal rivet M-5	6								Componente kit
17	T302831	Amarre ducha	Shower anchoring	2								Componente kit
	Q012042	Tornillo exagonal M-6x15	Hexagonal screw M-6x15	3								Componente kit
	Q262040	Arandela grower A-6	Grower washer A-6	3								Componente kit
	Q232040	Arandela plana A-6	Flat washer A-6	3								Componente kit
	Q221343	Remache exagonal M-6	Hexagonal rivet M-6	3								Componente kit
18	Q306039	Arandela junta Ø25xØ16,1x1,5	Joint washer Ø25xØ16.1x1.5	1								Componente kit
19	T305067	Entrada de agua a ducha	Shower water inlet	1								Componente kit
20	Q222013	Tuerca 3/4" gas	Nut 3/4" Gas	1								Componente kit
21	Q881302	Abrazadera 12 - 20	Clamp 12 - 20	2								Componente kit

MOD.		HORNO A GAS		ZONA		MUEBLE					PLANO		C-1625
ITEM	CODIGO	DENOMINACION	TEXTO	HGV-10/21									NOTAS
22	3676900	tubo de goma Ø17xØ10x850	Rubber tubing Ø17xØ10x850	1									Componente kit
23	T305063	Entrada de agua completa	Complete water inlet	1									Componente kit
	Q012021	Tornillo exagonal M-4x10	Hexagonal screw M-4x10	2									Componente kit
24	Z601114	Manguera entrada de agua	Water inlet hose	1									
	Z701132	Filtro-junta entrada de agua	Filter-joint water inlet	1									
	Q307031	Junta mangueraØ24xØ14x3	Hose joint Ø24xØ14x3	1									
25	T302837	Cantoneira base	Base corner protector	2									
	Q412002	Remache tubular Ø4x7,5	Tubular rivet Ø4x7.5	8									Amarre a base
26	X260151	Pata regulable	Adjustable leg	4									
	Q012031	Tornillo exagonal M-5x10	Hexagonal screw M-5x10	16									
	Q242030	Arandela abanico A-5	Fan shaped washer A-5	16									
	Q221342	Remache exagonal M-5	Hexagonal rivet M-5	16									
27	T302815	Apoyo cuerpo de horno	Oven body holder	1									
	Q412002	Remache tubular Ø4x7,5	Tubular rivet Ø4x7.5	13									Amarre a base
28	T302813	Base exterior de horno 10 / 21	Oven outer base 10 / 21	1									
29	T302818	Refuerzo longitudinal base	Base longitudinal reinforcen	2									
	Q412002	Remache tubular Ø4x7,5	Tubular rivet Ø4x7.5	32									Amarre a base
30	T302806	Panel exterior izquierdo	Left outer panel	1									
	Q012042	Tornillo exagonal M-6x15	Hexagonal screw M-6x15	3									Amarre inferior
	Q262040	Arandela grower A-6	Grower washer A-6	3									Amarre inferior
	Q232040	Arandela plana A-6	Flat washer A-6	3									Amarre inferior
	Q221343	Remache exagonal M-6	Hexagonal rivet M-6	3									Amarre inferior
31	T302808	Panel portamandos	Control panel	1									
	Q012042	Tornillo exagonal M-6x15	Hexagonal screw M-6x15	3									Amarre inferior
	Q262040	Arandela grower A-6	Grower washer A-6	3									Amarre inferior
	Q232040	Arandela plana A-6	Flat washer A-6	3									Amarre inferior
	Q221343	Remache exagonal M-6	Hexagonal rivet M-6	3									Amarre inferior
	Q412002	Remache tubular Ø4x7,5	Tubular rivet Ø4x7.5	8									Amarre a cuba
32	T303000	Serigrafia HGV-10 / 21	Serigraphy HGV-10 / 21	1									



N plano  
 C-1626


Firma  


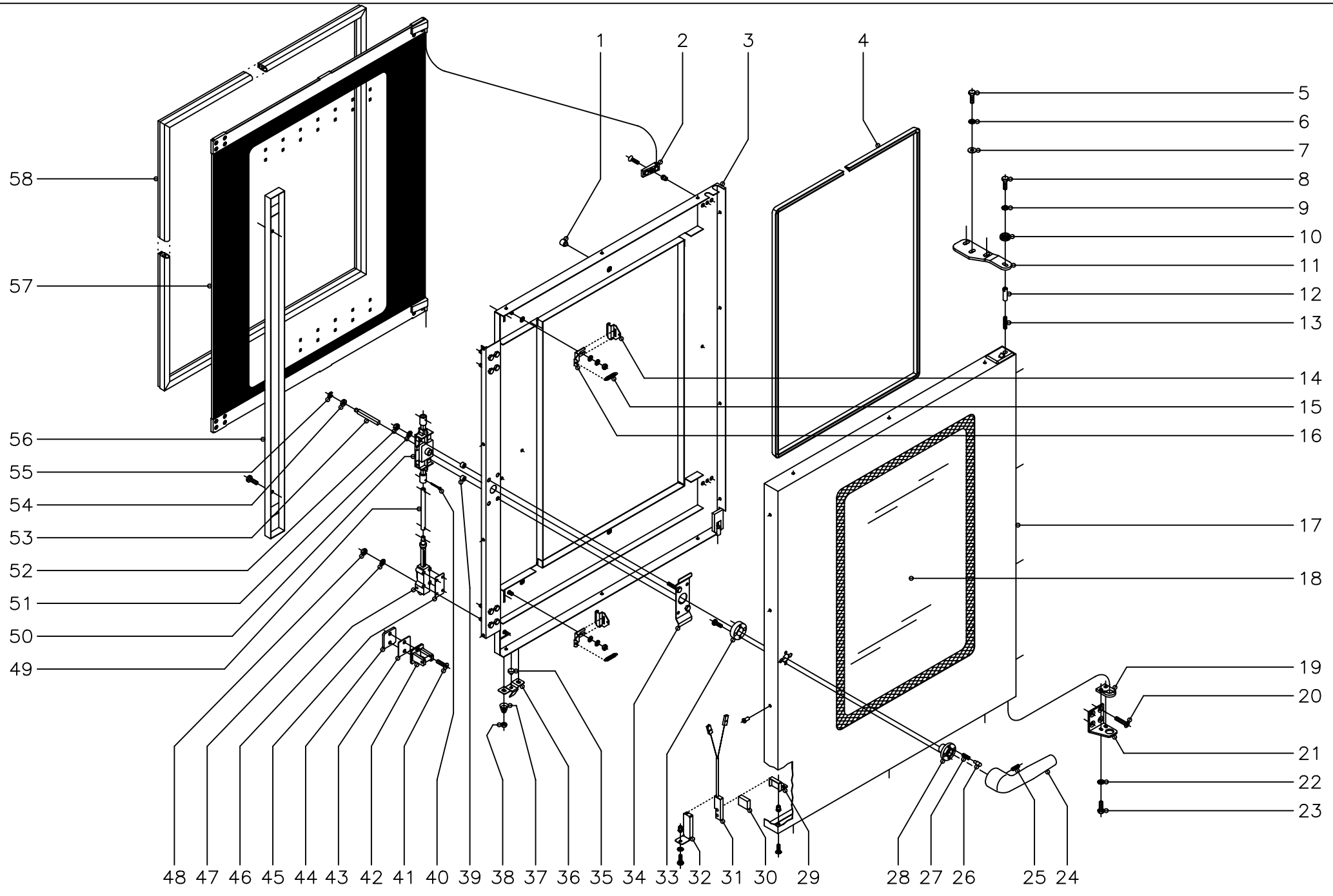
Fecha  
 2-2005

Aprobado  
 HORNO A GAS HG-10/21

Laminio  
 2

Fagor Industrial S. Coop.  
 Ondre

**FAGOR**  




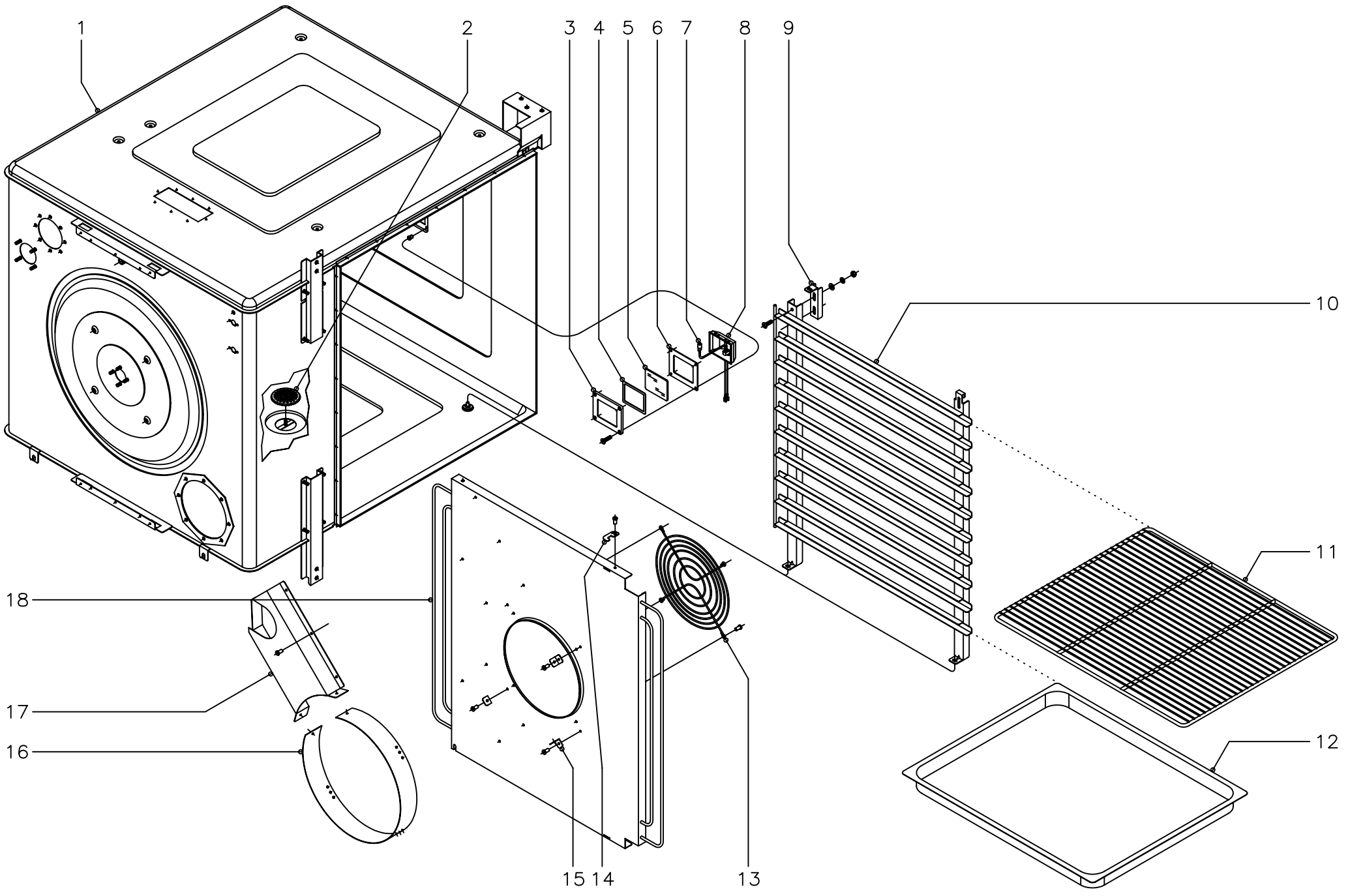
MOD.		HORNO A GAS		ZONA	PUERTA							PLANO	C-1626
ITEM	CODIGO	DENOMINACION	TEXTO	HGV-10/21									NOTAS
	<b>1100003101</b>	<b>KIT Puerta completa 10/21</b>	<b>Complete door KIT 10/21</b>	<b>1</b>									
1	T300513	Tope cristal interior	Inner glass door stop	6									
2	R670615	Base de bisagra	Hinge base	2									
	Q042032	Tornillo avellanado M-5x15	Countersunk screw M-5x15	2									
	Q222011	Remache exagonal M-5	Hexagonal rivet M-5	2									
3	T300501	Contrapuerta completa	Complete inner door	1									
4	3715200	Junta cristal L=2500	Glass joint L=2500	1									
5	Q012053	Tornillo exagonal M-8x20	Hexagonal screw M-8x20	3									
6	Q242050	Arandela abanico A-8	Fan shaped washer A-8	3									
7	Q302025	Arandela plana Ø8,4x20x1,5	Flat washer Ø8,4x20x1.5	3									
8	Q012042	Tornillo exagonal M-6x15	Hexagonal screw M-6x15	1									
9	Q242040	Arandela abanico A-6	Fan shaped washer A-6	1									
10	R662807	Arandela amarre puerta	Door anchoring washer	1									
11	T300520	Bisagra superior	Upper hinge	1									
12	R660534	Eje superior	Upper shaft	1									
13	Z850519	Resorte	Spring	1									
14	T300514	Pestillo sujecion cristal interior	Inner glass fastening latch	2									
15	R660605	Muelle tensor pestillo	Latch tensor spring	2									
16	R670612	Base de pestillo	Latch base	2									
	Q302022	Arandela plana Ø16xØ6x1,2	Flat washer Ø16xØ6x1.2	2									
	Q242030	Arandela abanico A-5	Fan shaped washer A-5	2									
	Q162030	Tuerca exagonal M-5	Hexagonal nut M-5	2									
17	T300523	Panel puerta completa	Complete door panel	1									
	Q412002	Remache tubular Ø4x7,5	Tubular rivet Ø4x7.5	14									
18	T300505	Cristal exterior	Outer glass	1									
19	R660549	Guia eje inferior	Lower shaft guide	1									
20	Q062040	Tornillo avellanado M-6x16	Countersunk screw M-6x16	4									
21	T300521	Bisagra inferior	Lower hinge	1									



MOD.		HORNO A GAS		ZONA		PUERTA						PLANO		C-1626	
ITEM	CODIGO	DENOMINACION	TEXTO	HGV-10/21										NOTAS	
22	Q242040	Arandela abanico A-6	Fan shaped washer A-6	2											
23	Q012041	Tornillo exagonal M-6x10	Hexagonal screw M-6x10	2											
24	T130502	Manilla	Handle	1											
25	Q132042	Varilla roscada M-6x15	Threaded rod M-6x15	1											
26	T130507	Piton enganche	Fastener spike	2											
27	T130506	Resorte	Spring	2											
28	T130515	Guia manilla	Handle guide	1											
29	T300525	Soporte iman	Magnet holder	1											
30	T300526	Iman	Magnet	1											
31	Z100522	Interruptor magnetico	Magnetic switch	1											
32	T302819	Soporte interruptor magnet. puerta	Door magnetic switch holder	1											
	Q221342	Remache exagonal M-5	Hexagonal rivet M-5	1											
	Q242030	Arandela abanico A-5	Fan shaped washer A-5	1											
	Q152004	Tornillo aplastado M-5x13	Flat screw M-5x13	1											
33	T130514	Soporte resortes	Spring holder	1											
	Q032032	Tornillo alomado M-5x15	Curved screw M-5x15	2											
34	T130511	Suplemento fijacion cerradura	Lock fixing supplement	1											
35	T300518	Tapon cierre canaleta	Feed through closing plug	1											
36	T300517	Chapa cierre canaleta	Feed through closing cover	1											
37	T300524	Resorte conico	Conical spring	2											
38	Q162030	Tuerca exagonal M-5	Hexagonal nut M-5	2											
39	Z608410	Casquillo	Bushing	2											
40	Q352001	Pasador de aletas Ø2x15	Cotter pin Ø2x15	4											
41	Q042045	Tornillo avellanado M-6x30	Countersunk screw M-6x30	4											
42	T110506	Enganche	Fastener	2											
43	R660538	Calzo de enganche	Coupling chock	4											
44	T300519	Suplemento enganche	Fastener supplement	2											
45	T080503	Suplemento elemento cierre	Closing element supplement	6											
46	T080504	Elemento de cierre	Closing component	2											



N plano  
C-1627  
Firma  
Fecha  
2-2005  
Aparato  
HORNO A GAS HGV-10/21  
MUEBLE INTERIOR  
Lamina  
3  
Fagor Industrial S. Coop.  
Omate  
**FAGOR**



MOD.		HORNO A GAS		ZONA		MUEBLE INTERIOR						PLANO		C-1627
ITEM	CODIGO	DENOMINACION	TEXTO	HGV-10/21									NOTAS	
1	T302600	Cuerpo interior completo	Complete inner body	1										
2	T302625	Filtro desague completo	Complete waste pipe filter	1										
3	T303047	Pletina amarre lampara	Lamp anchoring platen	1										
	Q042022	Tornillo avellanado M-4x15	Countersunk screw M-4x15	4										
	Q222041	Remache exagonal M-4	Hexagonal rivet M-4	4										
4	T303027	Junta interior lampara	Lamp inner joint	1										
5	T303025	Cristal lampara	Lamp glass	1										
6	T303026	Junta exterior lampara	Lamp outer joint	1										
7	R663013	Lampara 10 W., 12 V.	Lamp 10 W, 12 V	1										
8	T303023	Portalamparas	Lamp holder	1										
9	T302660	Suplemento guias	Guide supplement	2										
	Q152004	Tornillo aplastado M-5x13	Flat screw M-5x13	4										
	Q302022	Arandela plana Ø16xØ6x1,2	Flat washer Ø16xØ6x1.2	4										
	Q242030	Arandela abanico A-5	Fan shaped washer A-5	4										
	Q162030	Tuerca exagonal M-5	Hexagonal nut M-5	4										
10	T302620	Conjunto guias derecho	Right guide set	1										
s/n	T302624	Conjunto guias izquierdo	Left guide set	1										
11	R682676	Parrilla de horno G.N.-2/1	Oven grill G.N.-2/1	1										
12	R032605	Bandeja de horno G.N.-2/1, h=40	Oven tray G.N.-2/1, h=40	1										
13	R662661	Proteccion de turbina	Turbine protection	1										
	Q412002	Remache tubular Ø4x7,5	Tubular rivet Ø4x7.5	4										
14	T302635	Enganche cubreventilador	Fan cover fastener	2										
	Q412002	Remache tubular Ø4x7,5	Tubular rivet Ø4x7.5	2										
15	T302643	Fijacion suplemento cubreventilad.	Fan cover suplement bindin	3										
	Q412002	Remache tubular Ø4x7,5	Tubular rivet Ø4x7.5	3										
16	T302642	Suplemento cubreventilador	Fan cover suplement	1										
	Q412002	Remache tubular Ø4x7,5	Tubular rivet Ø4x7.5	3										
17	T302641	Conducto de humos HGV	HGV smoke conduct	1										
	Q412002	Remache tubular Ø4x7,5	Tubular rivet Ø4x7.5	6										



N. plano  
C-1628

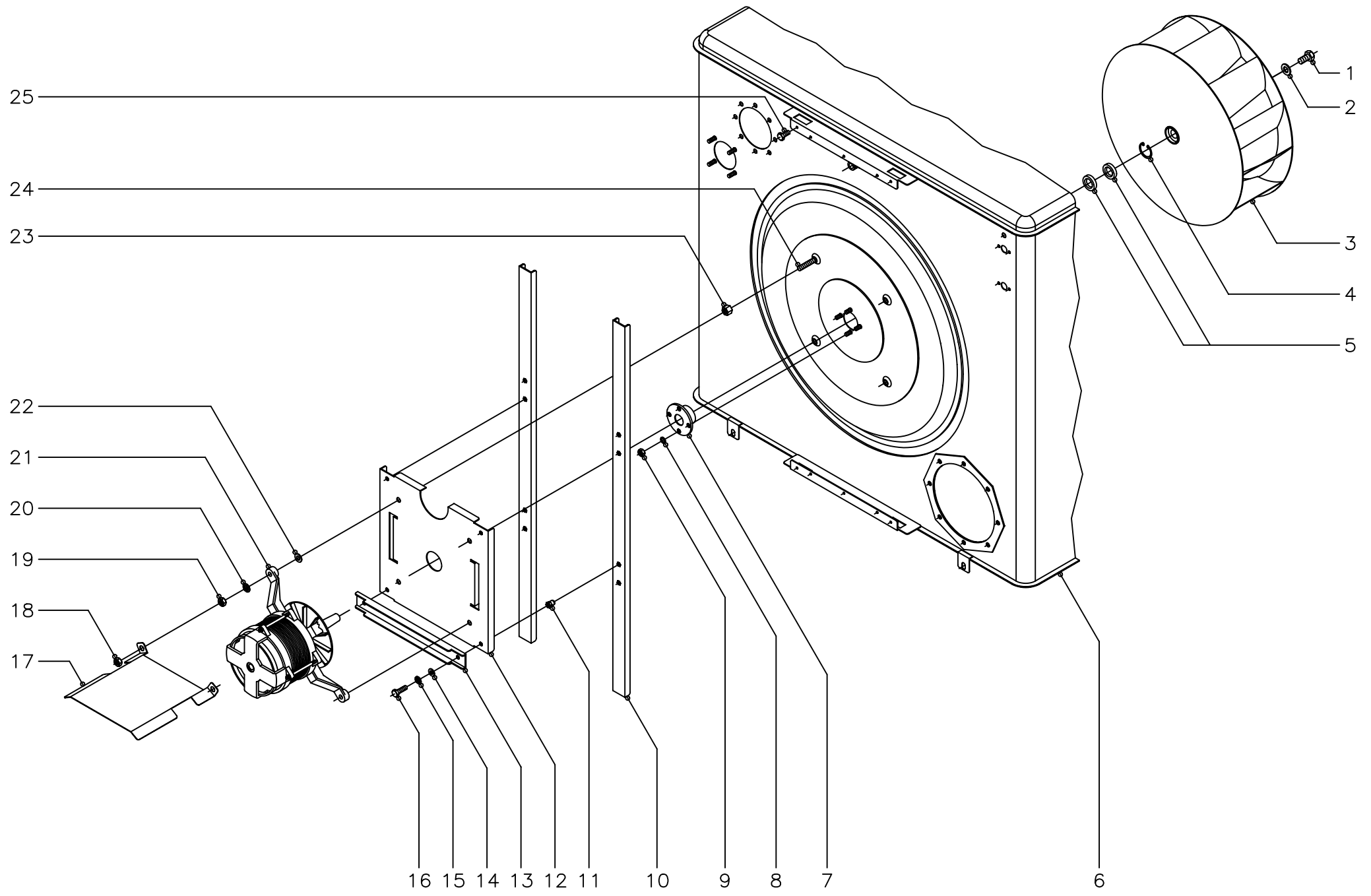
Firma  


Fecha  
2-2005

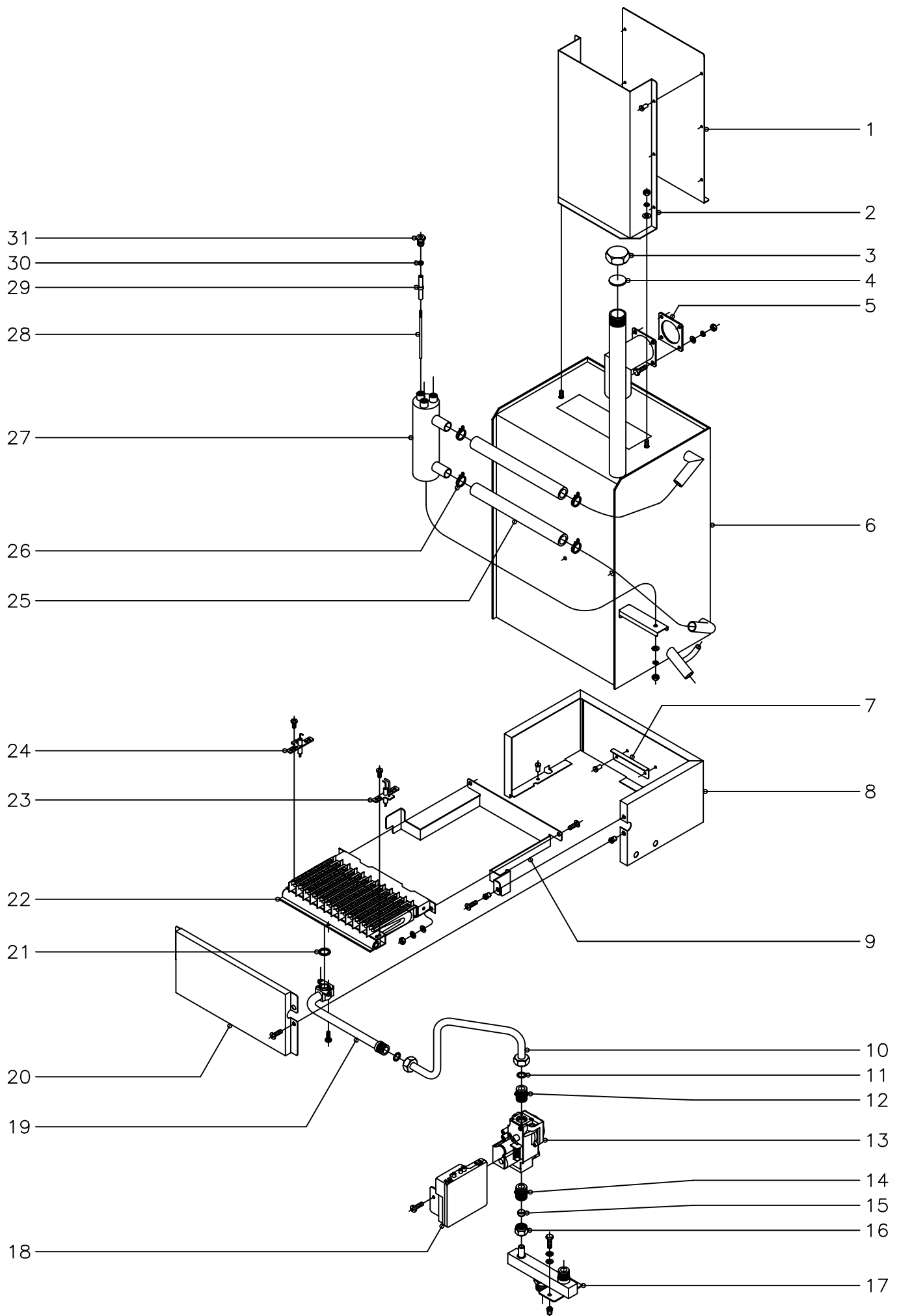
Aparato  
HORNO A GAS HGV-10/21  
TURBINA

Laminas  
4

Fagor Industrials S. Coop.  
Onote  

MOD.		HORNO A GAS		ZONA		TURBINA						PLANO		C-1628
ITEM	CODIGO	DENOMINACION	TEXTO	HGV-10/21									NOTAS	
1	Q012063	Tornillo exagonal M-10x20	Hexagonal screw M-10x20	1										
2	R763010	Arandela seguridad Hanning	Hanning safety washer	1										
3	T303015	Turbina	Turbine	1										
4	Q302023	Anillo de seguridad Ø 28x1,2	Safety ring Ø 28x1.2	1										
5	R662627	Reten Ø 28xØ 17x7	Retainer Ø 28xØ 17x7	2										
6	-	Costado izquierdo de horno	Left side of oven	1										
7	T302629	Casquillo reten	Bushing retainer	1										
8	Q262040	Arandela grower A-6	Grower washer A-6	4										
9	Q162040	Tuerca exagonal M-6	Hexagonal nut M-6	4										
10	T302628	Perfil soporte motor	Motor holder profile	2										
11	Q221342	Remache exagonal M-5	Hexagonal rivet M-5	4										
12	T302627	Soporte motor	Motor holder	1										
13	T302649	Refuerzo motor	Motor reinforcement	2										
14	Q232030	Arandela plana A-5	Flat washer A-5	4										
15	Q242030	Arandela abanico A-5	Fan shaped washer A-5	4										
16	Q012032	Tornillo exagonal M-5x15	Hexagonal screw M-5x15	4										
17	T302665	Tejadillo motor	Motor roof	1										
18	Q162050	Tuerca exagonal M-8	Hexagonal nut M-8	2										
19	Q162050	Tuerca exagonal M-8	Hexagonal nut M-8	4										
20	Q242050	Arandela abanico A-8	Fan shaped washer A-8	4										
21	T323022	Motor de turbina	Turbine motor	1										
22	Q232050	Arandela plana A-8	Flat washer A-8	4										
23	T302638	Distanciador motor	Motor spacer	4										
24	Q012056	Tornillo exagonal M-8x40	Hexagonal screw M-8x40	4										
25	Q012031	Tornillo exagonal M-5x10	Hexagonal screw M-5x10	4										



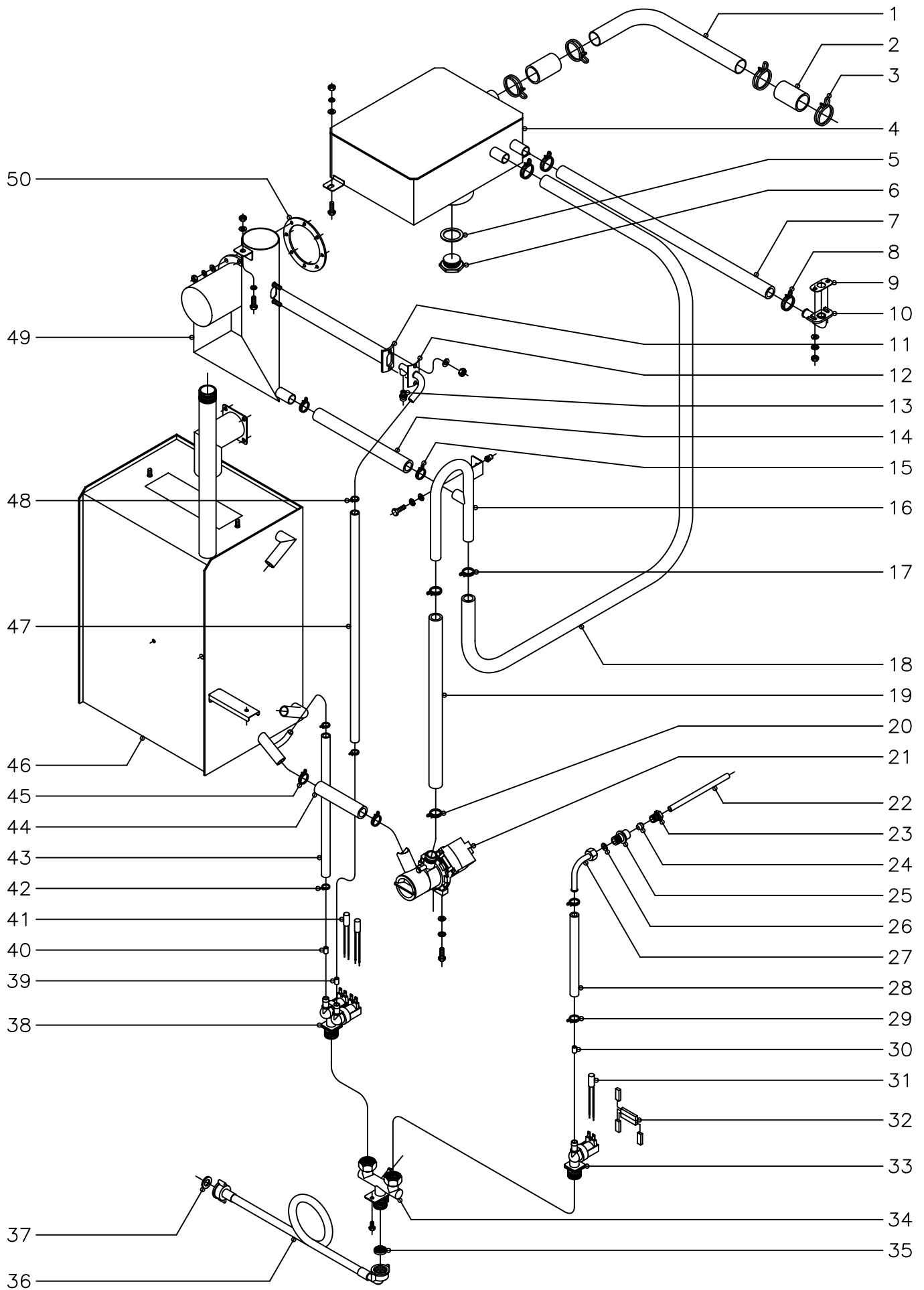
N plano C-1629	Firma 	Fecha 2-2005	Aparato GENERADOR DE VAPOR HORNO A GAS HGV-10/21	Lamina 5	Fagor Industrial S.Coop. <b>FAGOR</b> Onate
-------------------	-----------	-----------------	--	-------------	--



MOD.		HORNO A GAS		ZONA		GENERADOR DE VAPOR					PLANO		C-1629
ITEM	CODIGO	DENOMINACION	TEXTO	HGV-10/21									NOTAS
1	T302637	Posterior chimenea generador	Generator chimney rear	1									
	Q412002	Remache tubular Ø4x7,5	Tubular rivet Ø4x7.5	6									
2	T302636	Anterior chimenea generador	Generator chimney front	1									
	Q302022	Arandela plana Ø16xØ6x1,2	Flat washer Ø16xØ6x1.2	2									
	Q242030	Arandela abanico A-5	Fan shaped washer A-5	2									
	Q162030	Tuerca exagonal M-5	Hexagonal nut M-5	2									
3	R015010	Tuerca tapon 1"	Plug nut 1"	1									
4	R015011	Arandela junta Ø34x3	Joint washer Ø34x3	1									
5	T115037	Junta entrada vapor	Vapour inlet joint	1									
6	T305020	Generador vapor completo	Complete steam generator	1	KIT GENERADOR COMPLETO	COMPLETE KIT	GENERATOR						1100003107
	Q012042	Tornillo exagonal M-6x15	Hexagonal screw M-6x15	4									
	Q232040	Arandela plana A-6	Flat washer A-6	4									
	Q262040	Arandela grower A-6	Grower washer A-6	4									
	Q162040	Tuerca exagonal M-6	Hexagonal nut M-6	4									
	T305057	Aislante posterior generador	Generator back insulator	1									
	T305058	Aislante anterior generador	Generator front insulator	1									
	T115064	Aislante lateral generador	Generator side insulator	1									
	T305059	Aislante lateral derecho	Right side insulator	1									
	T305060	Aislante superior generador	Generator upper insulator	1									
7	T305707	Apoyo quemador	Burner holder	1									
	Q412002	Remache tubular Ø4x7,5	Tubular rivet Ø4x7.5	2									
8	T305704	Caja de quemador	Burner box	1									
	Q412002	Remache tubular Ø4x7,5	Tubular rivet Ø4x7.5	3									
	T305061	Aislante caja quemador	Burner box insulator	1									
9	T305706	Escuadra amarre quemador	Burner anchoring bracket	1									
	Q221342	Remache exagonal M-5	Hexagonal rivet M-5	1									
	Q152004	Tornillo aplastado M-5x13	Flat screw M-5x13	1									
10	T305018	Conduccion gas generador comp.	Comp. generator gas condu	1									
11	Q306012	Arandela junta Ø18xØ13x1,5	Joint washer Ø18xØ13x1.5	2									

MOD.		HORNO A GAS		ZONA	GENERADOR DE VAPOR							PLANO	C-1629
ITEM	CODIGO	DENOMINACION	TEXTO	HGV-10/21								NOTAS	
12	S205023	Manguito doble 1/2"	Double sleeve 1/2"	1									
13	T305054	Valvula generador	Generator valve	1									
14	S205023	Manguito doble 1/2"	Double sleeve 1/2"	1									
15	U055043	Bicono Ø12	Bicone Ø12	1									
16	Q221334	Tuerca 1/2"	Nut 1/2"	1									
17	T305044	Entrada de gas completa	Complete gas inlet	1									
	Q012032	Tornillo exagonal M-5x15	Hexagonal screw M-5x15	2									
	Q242030	Arandela abanico A-5	Fan shaped washer A-5	2									
	Q232030	Arandela plana A-5	Flat washer A-5	2									
	Q221342	Remache exagonal M-5	Hexagonal rivet M-5	2									
18	T303013	Control de encendido	Ignition control	1									
	Q032011	Tornillo alomado M-3x10	Curved screw M-3x10	1									
19	T115713	Acoplador completo	Complete coupler	1									
	Q151320	Tornillo alomado M-4x6	Curved screw M-4x6	2									
20	T305705	Tapa caja quemador	Burner box cover	1									
	Q152004	Tornillo aplastado M-5x13	Flat screw M-5x13	1									
	Q221342	Remache exagonal M-5	Hexagonal rivet M-5	1									
	T305062	Aislante tapa quemador	Burner cover insulator	1									
21	Z955807	Arandela junta de corcho	Cork joint washer	1									
22	Z955801	Quemador CA-16680	Burner CA-16680	1									
	Q042022	Tornillo avellanado M-4x15	Countersunk screw M-4x15	2									
	Q232020	Arandela plana A-4	Flat washer A-4	2									
	Q242020	Arandela abanico A-4	Fan shaped washer A-4	2									
	Q163020	Tuerca exagonal M-4	Hexagonal nut M-4	2									
23	Z955802	Electrodo ignicion	Ignition electrode	1									
	Q153021	Tornillo alomado M-4x10	Curved screw M-4x10	1									
24	Z955803	Electrodo deteccion	Detection electrode	1									
	Q153021	Tornillo alomado M-4x10	Curved screw M-4x10	1									
25	3715600	Tube silicona Ø26xØ18x250	Silicone tubing Ø26xØ18x250	2									

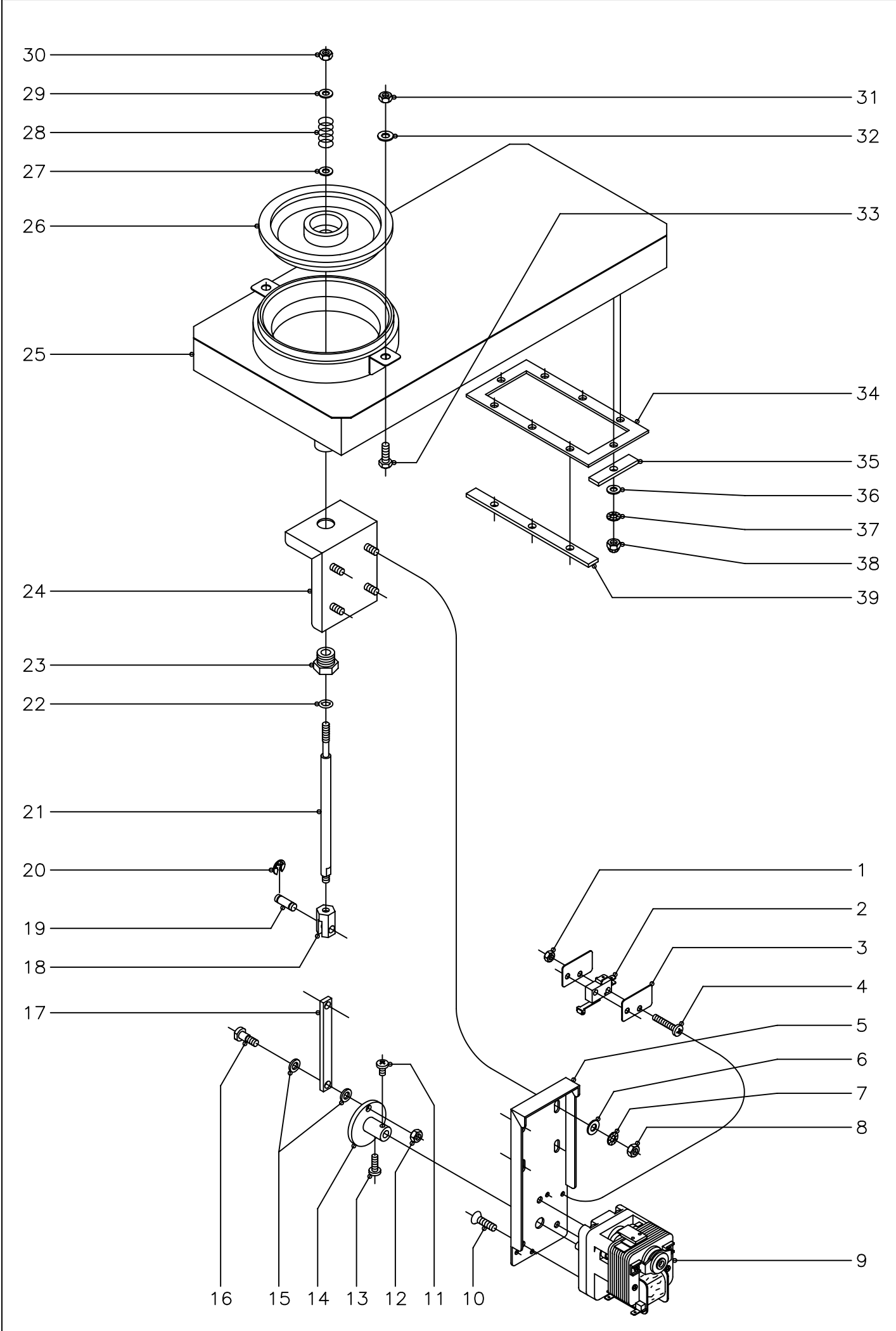




MOD.		HORNO A GAS		ZONA	CONDUCCIONES AGUA, VAPOR Y DESAGUE							PLANO	C-1630
ITEM	CODIGO	DENOMINACION	TEXTO	HGV-10/21								NOTAS	
1	T305075	Conducto desagüe horno	Oven drain conduct	1									
2	3714100	Tubo silicona Ø38xØ31x60	Silicone tubing Ø38xØ31x60	2									
3	Q901307	Abrazadera elastica Ø37,7 - 39,7	Elastic clamp Ø26.7 - 39.7	4									
4	T305072	Caja desagüe completa	Complete drainage box	1									
	Q012042	Tornillo exagonal M-6x15	Hexagonal screw M-6x15	2									
	Q232040	Arandela plana A-6	Flat washer A-6	2									
	Q262040	Arandela grower A-6	Grower washer A-6	2									
	Q162040	Tuerca exagonal M-6	Hexagonal nut M-6	2									
5	T305053	Junta desagüe	Waste pipe joint	1									
6	T305052	Tapon desagüe	Waste pipe plug	1									
7	3715600	Tubo silicona Ø26xØ18x600	Silicone tubing Ø26xØ18x600	1								Recogeaguas a desagüe	
8	Q901311	Abrazadera elastica Ø26,7 - 28,1	Elastic clamp Ø26.7 - 28.1	2									
9	T302845	Junta recogeaguas	Water collector joint	1									
10	T302844	Desague recogeaguas	Water collection waste pipe	1									
	Q232030	Arandela plana A-5	Flat washer A-5	2									
	Q242030	Arandela abanico A-5	Fan shaped washer A-5	2									
	Q162030	Tuerca exagonal M-5	Hexagonal nut M-5	2									
11	R725159	Junta tubo inyector	Pipe injector joint	1									
12	T115112	Conduccion vahos completa	Complete vapour conductio	1									
	Q242030	Arandela abanico A-5	Fan shaped washer A-5	2									
	Q162030	Tuerca exagonal M-5	Hexagonal nut M-5	2									
13	T115086	Tobera R.1/8" (Ø1,5)	Nozzle R.1/8" (Ø10.5)	1									
14	3715600	Tubo silicona Ø26xØ18x250	Silicone tubing Ø26xØ18x250	1									
15	Q901311	Abrazadera elastica Ø26,7 - 28,1	Elastic clamp Ø26.7 - 28.1	2									
16	T305019	Conduccion desagüe general com.	Com. general waste pipe co	1									
17	Q901311	Abrazadera elastica Ø26,7 - 28,1	Elastic clamp Ø26.7 - 28.1	2									
18	3715600	Tubo silicona Ø26xØ18x900	Silicone tubing Ø26xØ18x900	1									
19	3715600	Tubo silicona Ø26xØ18x400	Silicone tubing Ø26xØ18x400	1									
20	Q901311	Abrazadera elastica Ø26,7 - 28,1	Elastic clamp Ø26.7 - 28.1	2									

MOD.		HORNO A GAS		ZONA	CONDUCCIONES AGUA, VAPOR Y DESAGUE							PLANO	C-1630
ITEM	CODIGO	DENOMINACION	TEXTO	HGV-10/21								NOTAS	
21	Z220901	Bomba desague ( 50Hz.)	Waste pipe pump (50 Hz)	1									
21	Z223501	Bomba desague ( 60Hz.)	Waste pipe pump (60 Hz)	1									
	Q012032	Tornillo exagonal M-5x15	Hexagonal screw M-5x15	2									
	Q242030	Arandela abanico A-5	Fan shaped washer A-5	2									
	Q232030	Arandela plana A-5	Flat washer A-5	2									
22	R665024	Tubo conduccion inyector	Injector conduction tubing	1									
23	R695003	Manguito cierre	Closing sleeve	1									
24	R695004	Bicono	Bicone	1									
25	-	Casquillo soldado a cuerpo horno	Bushing welded onto oven b	1									
26	Q306026	Arandela junta Ø14xØ8,5x1,5	Seal washer Ø14xØ8.5x1.5	1									
27	R695017	Tubo conduccion agua completo	Complete water conduction	1									
28	3676900	Tubo goma negra Ø17xØ10x900	Black rubber tubing Ø17xØ	1									
29	Q901310	Abrazadera elastica Ø16,8 - 17,7	Elastic clamp Ø16.8 - 17.7	2									
30	R665041	Regulador caudal 0,25 l./min. (rosa)	Flow regulator 0.25 l/min (p	1									
31	Z233012	Condensador antiparasitario	Antiparasistic condensor	1									
32	T323027	PTC Electrovalvula 5"	PTC Solenoide valve 5"	1									
33	Z701135	Electrovalvula entrada de agua	Water inlet solenoide valve	1									
34	T305063	Entrada agua completa	Complete water inlet	1									
	Q012021	Tornillo exagonal M-4x10	Hexagonal screw M-4x10	2									
35	Z701132	Filtro-junta entrada de agua	Filter-joint water inlet	1									
36	Z601114	Manguera entrada de agua	Water inlet hose	1									
37	Q307031	Junta manguera Ø24xØ14x3	Hose joint Ø24xØ14x3	1									
38	P255001	Electrovalvula doble	Double solenoide valve	1									
39	P443042	Regulador caudal 3 l./min. (negro)	Flow regulator 3 l/min (black	1									
40	Z601156	Regulador caudal 8 l./min. (rojo)	Flow regulator 8 l/min (red)	1									
41	Z233012	Condensador antiparasitario	Antiparasistic condensor	2									
42	Q901310	Abrazadera elastica Ø16,8 - 17,7	Elastic clamp Ø16.8 - 17.7	2									
43	3676900	Tubo goma negra Ø17xØ10x300	Black rubber tubing Ø17xØ	1									
44	3715600	Tubo silicona Ø26xØ18x400	Silicone tubing Ø26xØ18x4	1									



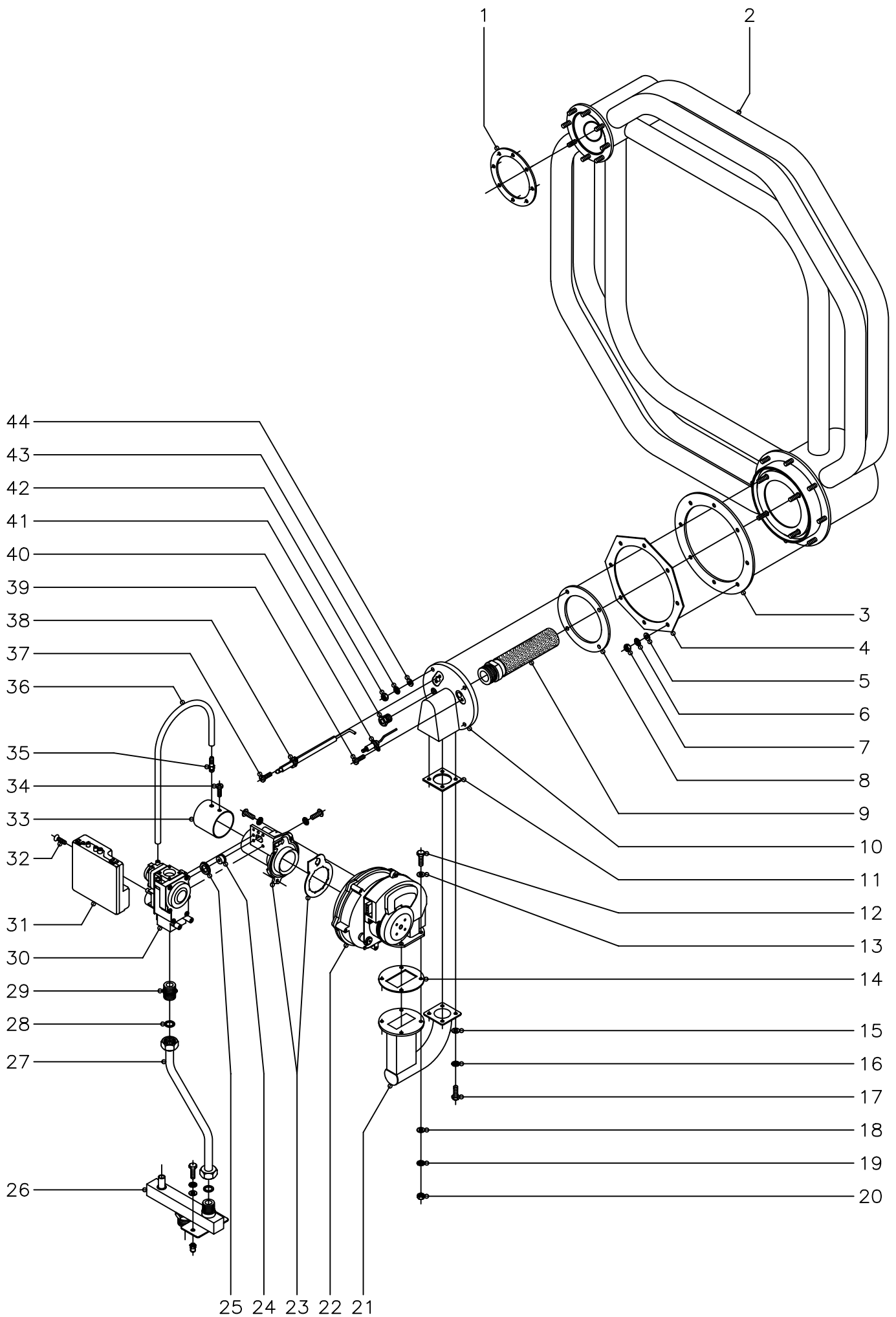


N plano C-1631	Firma 	Fecha 2-2005	Aparato CIERRE CHIMENEA HORNO A GAS HGV-10/21	Lamina 7	Fagor Industrial S.Coop. <b>FAGOR</b> Oñate
-------------------	--	-----------------	---	-------------	--



MOD.		HORNO A GAS		ZONA		CIERRE CHIMENEA					PLANO	C-1631
ITEM	CODIGO	DENOMINACION	TEXTO	HGV-10/21								NOTAS
1	Q221350	Tuerca exagonal autoblocante M-3	Selflocking hexagonal nut M-3	4								
2	R010534	Interruptor puerta	Door switch	2								
3	R010535	Placa separadora	Separating steel sheet	4								
4	Q032013	Tornillo alomado M-3x20	Curved screw M-3x20	4								
5	T135021	Escuadra amarre motor	Motor anchoring bracket	1								
6	Q232040	Arandela plana A-6	Flat washer A-6	4								
7	Q242040	Arandela abanico A-6	Fan shaped washer A-6	4								
8	Q162040	Tuerca exagonal M-6	Hexagonal nut M-6	4								
9	T113010	Motor chimenea	Chimney motor	1								
10	Q042031	Tornillo avellanado M-5x10	Countersunk screw M-5x10	3								
11	Q151320	Tornillo alomado M-4x6	Curved screw M-4x6	1								
12	Q162040	Tuerca exagonal M-6	Hexagonal nut M-6	1								
13	Q032021	Tornillo alomado M-4x10	Curved screw M-4x10	1								
14	T135012	Leva	Cam	1								
15	Q308013	Arandela de teflon Ø14xØ8x2	Teflon washer Ø14xØ8x2	2								
16	T135009	Eje de leva	Cam shaft	1								
17	T135047	Palanca de elevacion	Lifting lever	1								
18	T135045	Suplemento eje retencion	Retaining shaft supplement	1								
19	T135046	Eje guia retencion	Retaining guide shaft	1								
20	Q271033	Arandela de seguridad Ø6	Safety washer Ø6	2								
21	T135044	Eje retencion vapores	Vapour retaining shaft	1								
22	Q307067	Junta torica Ø14,43xØ9,19xØ2,62	O ring Ø14.43xØ9.19xØ2.62	1								
23	R725030	Tuerca guia retencion	Retaining guide nut	1								
24	T135022	Soporte amarre motor completo	Complete motor anchoring h	1								
25	T302630	Chimenea completa	Complete chimney	1								
26	T125027	Retencion vapores	Vapour retention	1								
27	Q302022	Arandela plana Ø16xØ6x1,2	Flat washer Ø16xØ6x1.2	1								
28	R725008	Resorte	Spring	1								
29	Q302022	Arandela plana Ø16xØ6x1,2	Flat washer Ø16xØ6x1.2	1								





N plano C-1632	Firma 	Fecha 2-2005	Aparato HORNO A GAS HGV-10/21	PARTE FUNCIONAL GAS	Lamina 8	Fagor Industrial S.Coop. <b>FAGOR</b> Oñate
-------------------	-----------	-----------------	----------------------------------	---------------------	-------------	--

MOD.		HORNO A GAS		ZONA	PARTE FUNCIONAL GAS							PLANO	C-1632
ITEM	CODIGO	DENOMINACION	TEXTO	HGV-10/21								NOTAS	
1	T305043	Junta de colector	Manifold joint	1									
2	T305700	Intercambiador completo	Complete heat exchanger	1									
3	R725051	Junta camara combustion	Combustion chamber joint	1									
4	-	Brida amarre camara combustion	Combustion chamber anchor	1								Caldeado a cuerpo de horno	
5	Q232040	Arandela plana A-6	Flat washer A-6	8									
6	Q262040	Arandela grower A-6	Grower washer A-6	8									
7	Q163040	Tuerca exagonal M-6	Hexagonal nut M-6	8									
8	R725055	Junta de tapa principal	Main cover joint	1									
9	T115710	Quemador Furigas	Furigas burner	1									
10	T115782	Tapa principal	Main cover	1									
11	T305041	Junta tapa principal-conducto	Main cover-conduct joint	1									
12	Q012043	Tornillo exagonal M-6x20	Hexagonal screw M-6x20	4								Amarre ventilador-conduccion	
13	Q232040	Arandela plana A-6	Flat washer A-6	4								Amarre ventilador-conduccion	
14	T305042	Junta ventilador	Fan joint	1									
15	Q232030	Arandela plana A-5	Flat washer A-5	4								Amarre conduccion a tapa principal	
16	Q242030	Arandela abanico A-5	Fan shaped washer A-5	4								Amarre conduccion a tapa principal	
17	Q012032	Tornillo exagonal M-5x15	Hexagonal screw M-5x15	4								Amarre conduccion a tapa principal	
18	Q232040	Arandela plana A-6	Flat washer A-6	4								Amarre ventilador-conduccion	
19	Q242030	Arandela abanico A-6	Fan shaped washer A-6	4								Amarre ventilador-conduccion	
20	Q163040	Tuerca exagonal M-6	Hexagonal nut M-6	4								Amarre ventilador-conduccion	
21	T305035	Conducto tapa principal	Main cover conduct	1									
22	T303016	Ventilador RG-130	Fan RG-130	1									
23	T303040	Venturi	Venturi	1									
	-	Junta venturi-ventilador	Venturi-fan joint	1								Viene con venturi	
	Q242030	Arandela abanico A-5	Fan shaped washer A-5	2								Amarre venturi a ventilador	
	Q152004	Tornillo aplastado M-5x13	Flat screw M-5x13	2								Amarre venturi a ventilador	
24	T305068	Tobera VK41, Ø4,8 (Buta.-Propa.)	Nozzle VK41, Ø4.8 (Buta.-F	1									
24	T305069	Tobera VK41, Ø6 (Gas Natural)	Nozzle VK41, Ø6 (Natural	1									
25	T303046	Junta venturi 24x15,5	Venturi joint 24x15.5	1									

MOD.		HORNO A GAS		ZONA	PARTE FUNCIONAL GAS							PLANO	C-1632
ITEM	CODIGO	DENOMINACION	TEXTO	HGV-10/21									NOTAS
26	T305044	Entrada de gas completa	Complete gas inlet	1									
	Q012032	Tornillo exagonal M-5x15	Hexagonal screw M-5x15	2									
	Q242030	Arandela abanico A-5	Fan shaped washer A-5	2									
	Q232030	Arandela plana A-5	Flat washer A-5	2									
	Q221342	Remache exagonal M-5	Hexagonal rivet M-5	2									
27	T305015	Conduccion gas camara completa	Complete chamber gas con	1									
28	Q306012	Arandela junta Ø18xØ13x1,5	Joint washer Ø18xØ13x1.5	2									
29	S205023	Manguito doble 1/2"	Double sleeve 1/2"	1									
30	T303017	Valvula VK-4115 V-1121	Valve VK-4115 V-1121	1									
	Q242030	Arandela abanico A-5	Fan shaped washer A-5	3									Amarre venturi a valvula
	Q152004	Tornillo aplastado M-5x13	Flat screw M-5x13	3									Amarre venturi a valvula
31	T303013	Control de encendido	Ignition control	1									
32	Q032011	Tornillo alomado M-3x10	Curved screw M-3x10	1									
33	T305712	Tubo ventilador completo	Complete ventilating tubing	1									
34	Q032021	Tornillo alomado M-4x10	Curved screw M-4x10	1									
35	R725077	Boquilla conexión	Connection nozzle	1									
36	3702400	Tubo goma negra Ø8xØ4x200	Black rubber tubing Ø8xØ4x	1									
37	Q153021	Tornillo alomado M-4x10	Curved screw M-4x10	2									
38	T115781	Electrodo de ignicion	Ignition electrode	1									
39	Q153021	Tornillo alomado M-4x10	Curved screw M-4x10	1									
40	T115712	Electrodo de deteccion	Detection electrode	1									
41	R725015	Visor de encendido	Ignition sight	1									
42	Q163040	Tuerca exagonal M-6	Hexagonal nut M-6	4									Amarre tapa-camara combustion
43	Q242030	Arandela abanico A-6	Fan shaped washer A-6	4									Amarre tapa-camara combustion
44	Q232040	Arandela plana A-6	Flat washer A-6	4									Amarre tapa-camara combustion

N plano  
C-1633

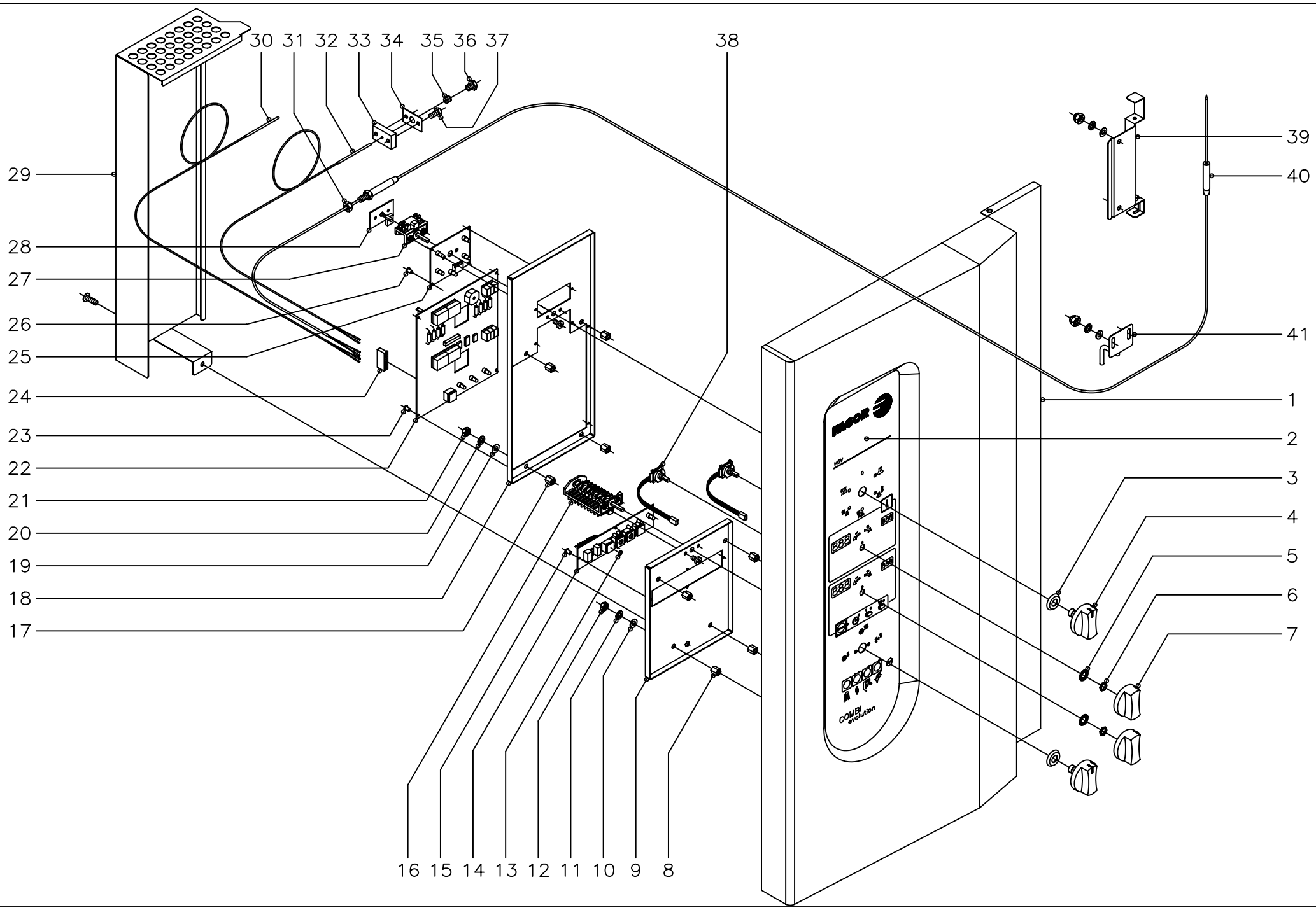


Fecha  
2-2005

Aparato  
HORNO A GAS HGV-10/21

Lamina  
9

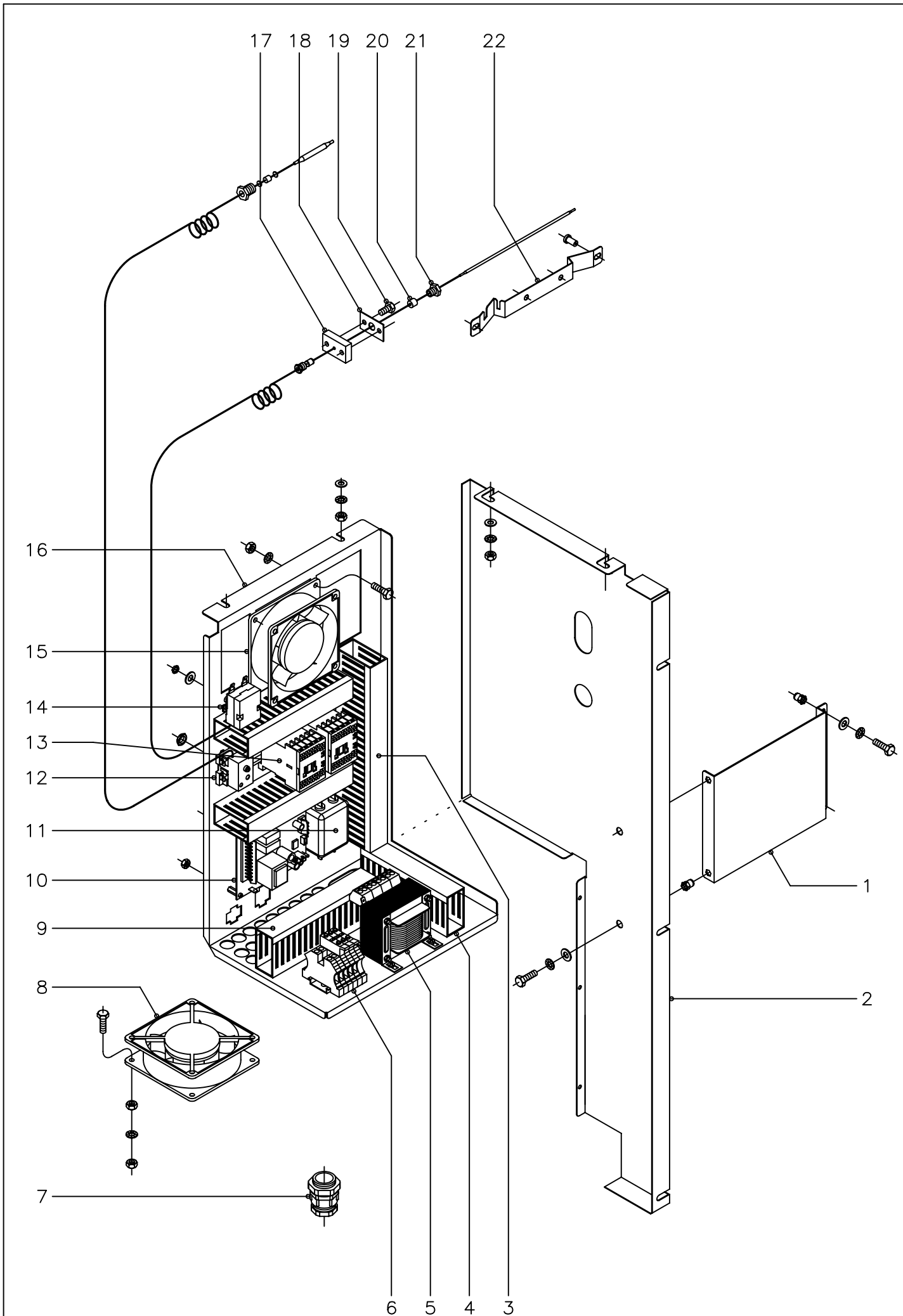
Fagor Industrial S. Coop.  
OFORTE  
**FAGOR**



MOD.		HORNO A GAS		ZONA	PARTE ELECTRICA PORTAMANDOS							PLANO	C-1633
ITEM	CODIGO	DENOMINACION	TEXTO	HGV-10/21								NOTAS	
1	T302808	Panel portamandos	Control panel	1									
2	T303000	Serigrafia HGV-10 / 21	Serigraphy HGV-10 / 21	1									
3	R663046	Junta conmutador	Switch joint	2									
4	T303010	Boton de mando completo	Complete control button	2									
5	-	Arandela (viene con tuerca M-10)	Washer (comes with M-10 r	2									
6	Z953041	Tuerca exagonal M-10	Hexagonal nut M-10	2									
7	T303011	Boton de mando completo	Complete control button	2									
8	T302829	Distanciador componentes	Components spacer	4									
9	T303021	Soporte circuitos	Circuit holder	1									
10	Q232030	Arandela plana A-5	Flat washer A-5	4									
11	Q242030	Arandela abanico A-5	Fan shaped washer A-5	4									
12	Q163030	Tuerca exagonal M-5	Hexagonal nut M-5	4									
13	R663056	Bapipons autoadesivo	Self adhesive bubipons	4									
14	T303019	Circuito teclado	Key board circuit	1									
15	R663036	Fijacion circuito	Circuit bindings	4									
16	R663026	Conmutador de funciones	Function switch	1									
	Q151320	Tornillo alomado M-4x6	Curved screw M-4x6	2									
17	T302829	Distanciador componentes	Components spacer	4									
18	T302826	Soporte componentes	Components holder	1									
19	Q232030	Arandela plana A-5	Flat washer A-5	4									
20	Q242030	Arandela abanico A-5	Fan shaped washer A-5	4									
21	Q163030	Tuerca exagonal M-5	Hexagonal nut M-5	4									
22	T303005	Controlador	Controller	1									
23	R663036	Fijacion circuito	Circuit bindings	4									
24	T303045	Conector paso 3,96mm. 8 vias	Lead connector 3.96 mm 8	1									
25	T303018	Circuito de leds visualizador	Display leds circuit	1									
26	R663036	Fijacion circuito	Circuit bindings	4									
27	T303004	Conmutador acople potenciometro	Potentiometer coupling swit	1									
	Q151320	Tornillo alomado M-4x6	Curved screw M-4x6	2									







N plano C-1634	Firma 	Fecha 2-2005	Aparato CUADRO ELECTRICO HORNO A GAS HGV-10/21	Lamina 10	Fagor Industrial S.Coop. <b>FAGOR</b> Oñate
-------------------	-----------	-----------------	--	--------------	--

MOD.		HORNO A GAS			ZONA	CUADRO ELECTRICO						PLANO	C-1634
ITEM	CODIGO	DENOMINACION	TEXTO	HGV-10/21									NOTAS
1	T303051	Soporte cierre cuadro electrico	Switchboard closing holder	1									
	Q012032	Tornillo exagonal M-5x15	Hexagonal screw M-5x15	2									
	Q242030	Arandela abanico A-5	Fan shaped washer A-5	2									
	Q302022	Arandela plana Ø16xØ6x1,2	Flat washer Ø16xØ6x1.2	2									
	Q221342	Remache exagonal M-5	Hexagonal rivet M-5	2									
2	T303002	Cierre cuadro electrico	Switchboard closing	1									
	Q012032	Tornillo exagonal M-5x15	Hexagonal screw M-5x15	2									Amarre cierre a soporte
	Q242030	Arandela abanico A-5	Fan shaped washer A-5	2									Amarre cierre a soporte
	Q302022	Arandela plana Ø16xØ6x1,2	Flat washer Ø16xØ6x1.2	2									Amarre cierre a soporte
	Q221342	Remache exagonal M-5	Hexagonal rivet M-5	2									Amarre cierre a soporte
	Q302022	Arandela plana Ø16xØ6x1,2	Flat washer Ø16xØ6x1.2	2									Amarre cierre a techo
	Q242030	Arandela abanico A-6	Fan shaped washer A-6	2									Amarre cierre a techo
	Q163040	Tuerca exagonal M-6	Hexagonal nut M-6	2									Amarre cierre a techo
3	3715520	Canaleta unex 30x60x270	Unex feed through 30x60x270	1									
4	3715520	Canaleta unex 30x60x150	Unex feed through 30x60x150	1									
	Q412002	Remache tubular Ø4x7,5	Tubular rivet Ø4x7.5	2									
5	R503005	Transformador	Transformer	1									
	Q032021	Tornillo alomado M-4x10	Curved screw M-4x10	4									
	Q242020	Arandela abanico A-4	Fan shaped washer A-4	4									
	Q162020	Tuerca exagonal M-4	Hexagonal nut M-4	4									
6	Z263303	Tope final 10	End buffer 10	1									
	R073005	Borna portafusible	Fuse carrier connection	3									
	P184011	Cartucho portafusible 4A.	Fuse holder cartridge 4A.	3									
	Z263302	Borne paso 10 azul	Blue connector lead 10 blue	1									
	P453026	Borne tierra 10 amarillo-verde	Earth connector 10 yellow-g	1									
	Z123018	Guia contactor L=55	Contacto guide G=55	1									
	Q412002	Remache tubular Ø4x7,5	Tubular rivet Ø4x7.5	2									
7	R073004	prensaestopas	Stuffing box	1									
8	Z103066	Ventilador 230V., 50/60 Hz.	Fan 230 V, 50/60 Hz	1									

MOD.	HORNO A GAS	ZONA	CUADRO ELECTRICO	PLANO	C-1634
------	-------------	------	------------------	-------	--------

ITEM	CODIGO	DENOMINACION	TEXTO	HGV-10/21										NOTAS
	Q013023	Tornillo exagonal M-4x20	Hexagonal screw M-4x20	4										
	Q242020	Arandela abanico A-4	Fan shaped washer A-4	4										
	Q162020	Tuerca exagonal M-4	Hexagonal nut M-4	8										
9	3715520	Canaleta unex 30x60x180	Unex feed through 30x60x180	3										
10	T303048	Variador hornos gas 4V	4V gas ovens variator	1										
	T133007	Distanciador M-3	Spacer M-3	4										
	T133008	Tornillo amarre M-3x22	Anchoring screw M-3x22	4										
	Q161310	Tuerca exagonal M-3	Hexagonal nut M-3	4										
11	T113023	Filtro de entrada	Inlet filter	1										
12	Z953035	Termostato limitador aviso	Warning limiter thermostat	1										
	Z953041	Tuerca exagonal M-10x1	Hexagonal nut M-10x1	1										
13	Z743009	Contactador sirius 3RT10, 16-2APO2	Sirius 3RT10, 16-2APO2 contactor	2										
	Z103084	Guia contactor L=138	Contactador guide G=138	1										
	Q412002	Remache tubular Ø4x7,5	Tubular rivet Ø4x7.5	2										
14	T303009	Termostato limitador	Limiter thermostat	1										
	Q232050	Arandela plana A-8	Flat washer A-8	1										
	Q162050	Tuerca exagonal M-8	Hexagonal nut M-8	1										
15	Z103066	Ventilador 230V., 50/60 Hz.	Fan 230 V, 50/60 Hz	1										
	Q012021	Tornillo exagonal M-4x10	Hexagonal screw M-4x10	4										
	Q242020	Arandela abanico A-4	Fan shaped washer A-4	4										
	Q162020	Tuerca exagonal M-4	Hexagonal nut M-4	4										
16	T303001	Panel cuadro electrico	Switchboard panel	1										
	Q302022	Arandela plana Ø16xØ6x1,2	Flat washer Ø16xØ6x1.2	2										
	Q242030	Arandela abanico A-6	Fan shaped washer A-6	2										
	Q163040	Tuerca exagonal M-6	Hexagonal nut M-6	2										
17	T112625	Base cierre sonda (pasamuros)	Probe closing base (wire protection)	1										
18	R692812	Junta pasamuros	Wire protection joint	1										
19	Q012021	Tornillo exagonal M-4x10	Hexagonal screw M-4x10	2										
20	R662662	Junta cierre bulbo limitador	Limiting bulb closing joint	1										



MOD.		HORNO A GAS		ZONA		VARIOS						PLANO	
ITEM	CODIGO	DENOMINACION	TEXTO	HGV-10/21									NOTAS
	T306500	Manual de instrucciones	Instructions manual	1									Español
	T306501	Manual de instrucciones	Instructions manual	1									Aleman
	T306502	Manual de instrucciones	Instructions manual	1									Frances
	T306503	Manual de instrucciones	Instructions manual	1									Ingles
	T306504	Manual de instrucciones	Instructions manual	1									Italiano
	T303038	Esquema electrico adhesivo	Adhesive electrical diagram	1									Plano HC-76902
	T303042	Leyenda esquema electrico	Electrical diagram legend	1									Plano HC-76970
	T303044	Plano electrico de montaje	Assembly electrical diagram	1									Plano HD-12884
	T303053	Union contactores de inversion	Inversion contactors joint	1									
	T303033	Cableado variador - soplante	Variator wiring - blower	1									
	T303031	Cableado luz interior	Inner light wiring	1									
	T303028	Cableado control circuito de leds	Leds circuit control wiring	1									
	T303032	Instalacion electrica HGV-10/21	Electrical insallation HGV-10/21	1									
	T303034	Cable encendido camara	Chamber ignition cable	1									
	T303035	Cable detector de llama en camara	Chamber flame detector cable	1									
	T303036	Cable encendido caldera	Boiler ignition cable	1									
	T303037	Cable detector de llama en caldera	Chamber flame detector cable	1									
	T303030	Cableado potenciometro	Potentiometer wiring	1									





MOD.		HORNO A GAS		ZONA	CAMBIOS A REALIZAR PARA PASAR DE (50Hz.) a (60 Hz.)						PLANO	C-1627 C-1630	
ITEM	CODIGO	DENOMINACION	TEXTO	HGV-10/21									NOTAS
		<b><u>PIEZAS A ELIMINAR</u></b>	<b><u>PARTS TO BE REMOVED</u></b>										
19	Z220901	Bomba desague 220 V. 50Hz.	Waste pipe pump 220 V 50	1									C-1630
	T326502	Etiqueta 380 - 415 V. 50 Hz.	Label 380 - 415 V 50 Hz	1									
		<b><u>PIEZAS A INTRODUCIR</u></b>	<b><u>PARTS TO BE INCLUDED</u></b>										
	T302666	Reduccion cubreventilador 60 Hz.	Fan cover reduction 60 Hz	1									( C-1627 ) Entre piezas item.:13 y 18
19	Z223501	Bomba desague 220 V. 60Hz.	Waste pipe pump 220 V 60	1									C-1630
	T326504	Etiqueta 380 - 415 V. 60 Hz.	Label 380 - 415 V 60 Hz	1									

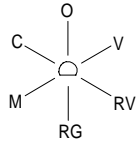
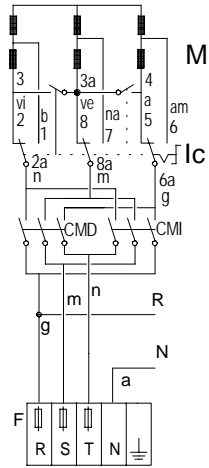




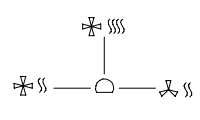
# HGV 10/21

# HGP 10 / 21

3 ~ 400V

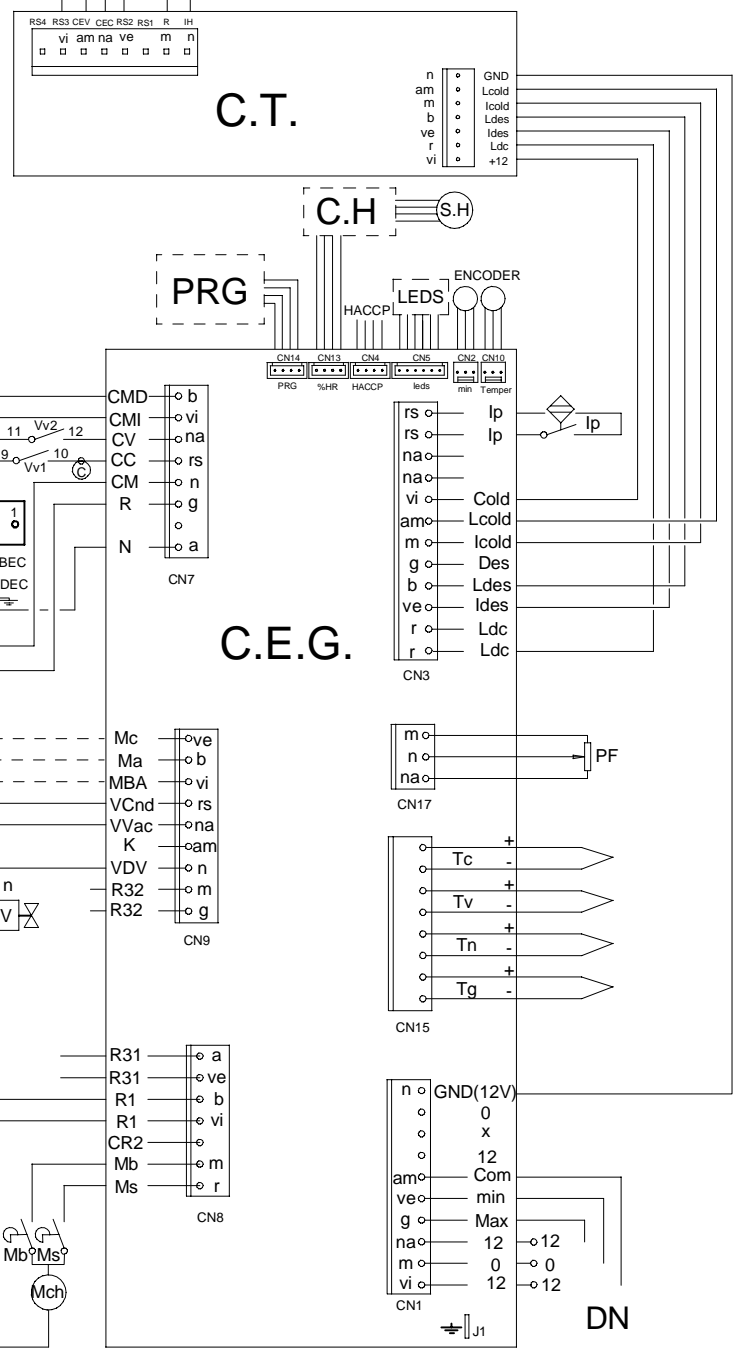
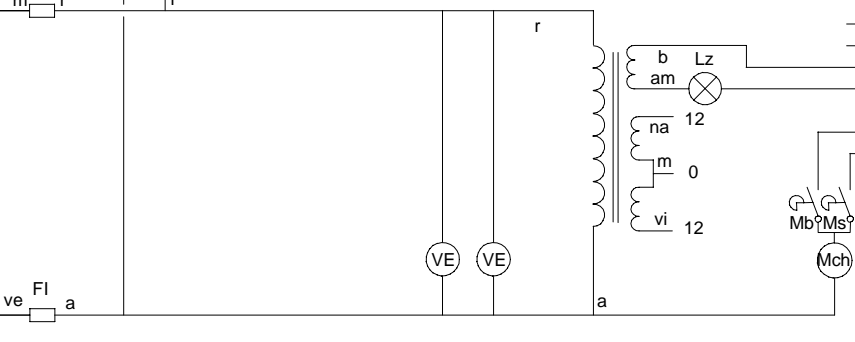
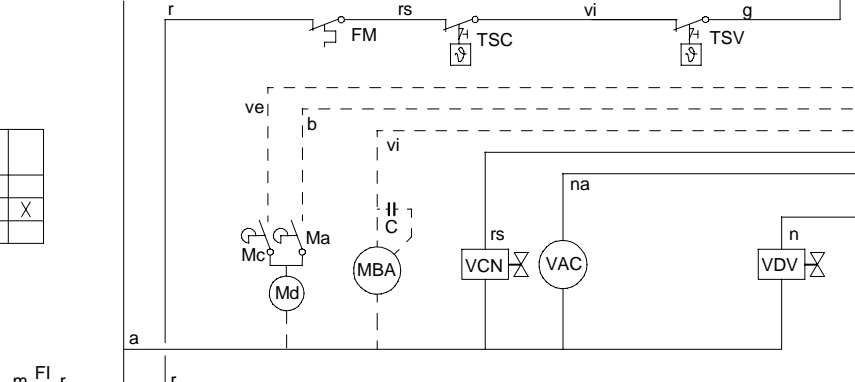
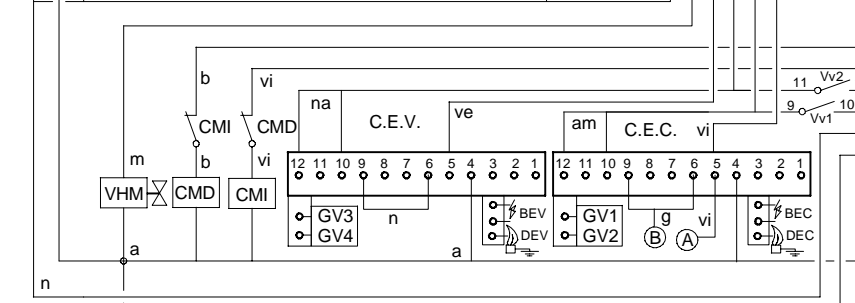
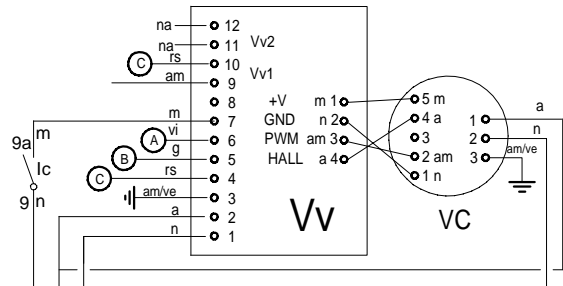
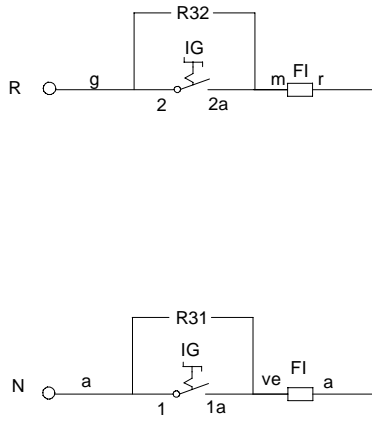
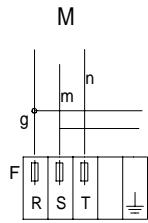


Modo	IG	1 1a	2 2a
OFF			
VAPOR	X	X	
REG. VAPOR	X	X	
REGENERAC.	X	X	
MIXTO	X	X	
CONVECCION	X	X	

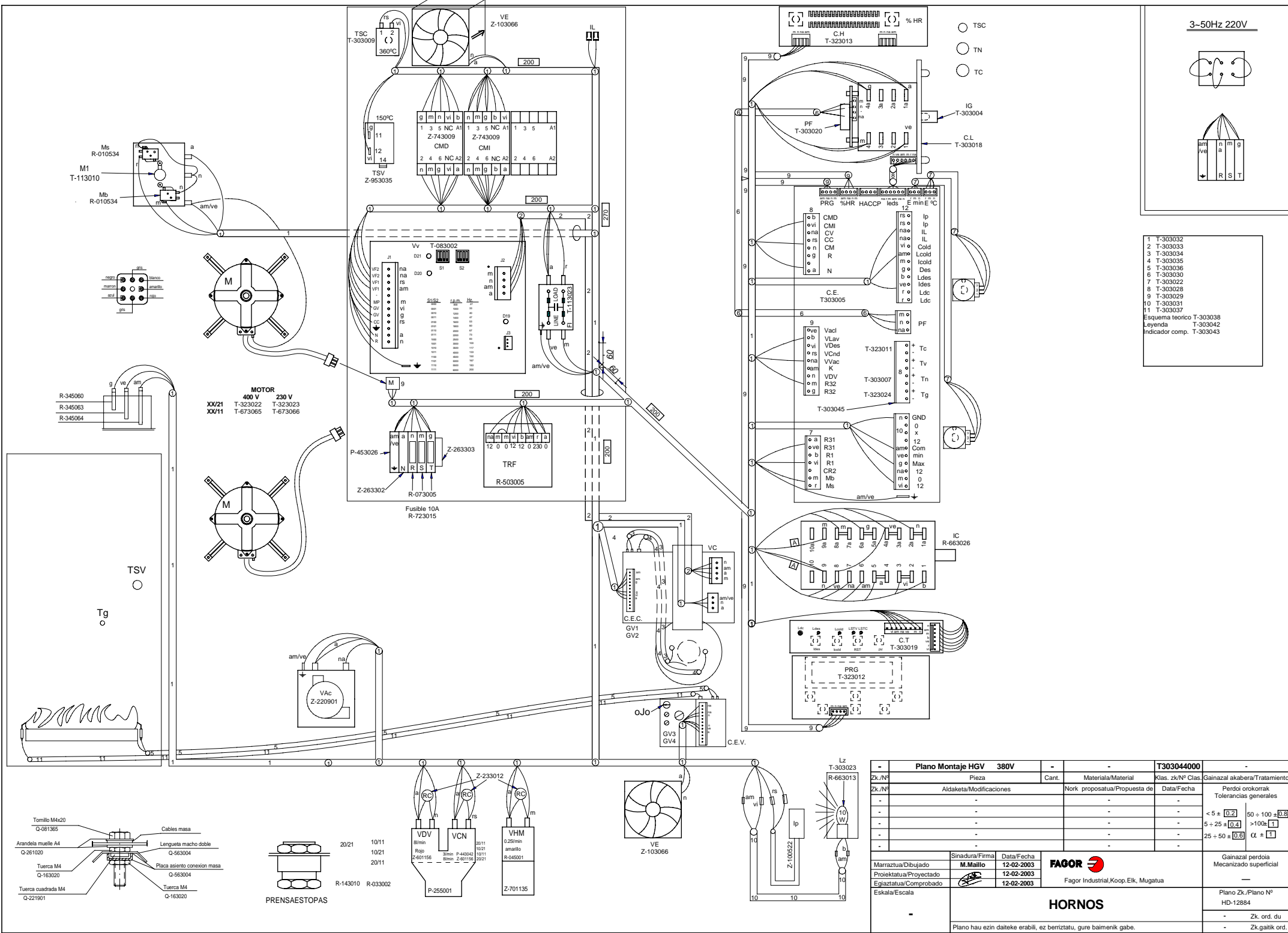


Ic	1			2			3		
	1a	2a	3a	4a	5a	6a	7a	8a	9a
~	X			X	X		X	X	
~	X			X	X		X	X	
~	X			X	X		X	X	
~		X				X			X

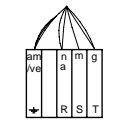
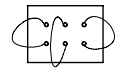
3 ~ 220V



	ESPAÑOL	FRANÇAIS	ENGLISH	DEUTSCH	ITALIANO
BEC =	Bujía Encendido Cámara	Bougie Allumage Chambre	Chamber Spark Plug	Zündkerze Einschalten Garraum	Candela di Accensione Camera
BEV =	Bujía Encendido Caldera	Bougie Allumage Chaudière	Boiler Spark Plug	Zündkerze Einschalten Boile	Candela di Accensione Caldaia
C.E.C =	Control Combustión Cámara	Contrôle Combustion Chambre	Chamber Combustion Control	Steuerung Verbrennung Garraum	Controllo Combustione Camera
C.E.G =	Control Electronico General	Contrôle Electronique Général	Main Electronic Control	Steuerung Elektronik allgemein	Controllo Elettronico Generale
C.E.V =	Control Combustión Caldera	Contrôle Combustion Chaudière	Boiler Combustion Control	Steuerung Verbrennung Boiler	Controllo Combustione Caldaia
C.H =	Circuito Humedad	Circuit Humidité	Humidity Circuit	Kreislauf Feuchtigkeit	Circuito Umidità
C.L =	Circuito Leds	Circuit LEDs	Led Circuit	Kreislauf LEDs	Circuito Leds
C.T =	Circuito Teclado	Circuit Clavier	Keypad Circuit	Kreislauf Tastatur	Cicuito Tastiera
CC1,CC2 =	Contacto Resistencia Cámara	Contacteur Élément Chauffant Chambre	Chamber Heating Element Contactor	Schutz Heizwiderstand Garraum	Contattore Resistenza Camera
CMD =	Contacto Motor Derecha	Contacteur Moteur Droite	Right Engine Contactor	Schutz Motor rechts	Contattore Motore Destra
CMI =	Contacto Motor Izquierda	Contacteur Moteur Gauche	Left Engine Contactor	Schutz Motor links	Contattore Motore Sinistra
CR2 =	Rele Arranque	Relais Démarrage	Starting Relay	Relais Anlauf	Rele Accensione
CV1, CV2 =	Contacto Resistencias Caldera	Contacteur Élément Chauffant Chaudière	Boiler Heating Element Contactor	Schutz Heizwiderstand Boiler	Contattore Resistenza Caldaia
DEC =	Detector Llama Cámara	Détecteur Flamme Chambre	Chamber Flame Detector	Flammendetektor Garraum	Rilevatore di Fiamma Camera
DEV =	Detector Llama Caldera	Détecteur Flamme Chaudière	Boiler Flame Detector	Flammendetektor Boiler	Rilevatore di Fiamma Caldaia
DN =	Detector Nivel Caldera	Détecteur Niveau Chaudière	Boiler Level Detector	Pegeldetektor Boiler	Rilevatore Livello Caldaia
EM =	Encoder Selector Tiempo	Encodeur Sélecteur Temps	Time Selector Encoder	Encoder Zeitwahlschalter	Encoder Selettore Tempo
E°C =	Encoder Selector Temperatura	Encodeur Sélecteur Température	Temperature Selector Encoder	Encoder Temperaturwahlschalter	Encoder Selettore Temperatura
F =	Fusibles	Fusibles	Fuses	Sicherungen	Fusibili
FI =	Filtro Interferencias	Filtre Interférences	Interference Filter	Störungsfilter	Filtro Interferenze
FM =	Térmico Motor	Thermique Moteur	Thermal Engine	Thermoschalter Motor	Termico Motore
GV1, GV2 =	Electro válvula Gas Cámara	Électrovanne Gaz Chambre	Chamber Gas Solenoid Valve	Elektroventil Gas Garraum	Elettrovalvola Gas Camera
GV3, GV4 =	Electro válvula Gas Caldera	Électrovanne Gaz Chaudière	Boiler Gas Solenoid Valve	Elektroventil Gas Boiler	Elettrovalvola Gas Caldaia
IC =	Selector Velocidad Potencia	Sélecteur Vitesse Puissance	Power Speed Selector	Wahlschalter Geschwindigkeit Leistung	Selettore Velocità Potenza
IG =	Interruptor General	Interrupteur Général	Main Switch	Hauptschalter	Interruttore generale
IL =	Interruptor Seguridad Lavado	Interrupteur Sécurité Lavage	Washing Safety Switch	Sicherheitsschalter Waschen	Interruttore Sicurezza Lavaggio
Ip =	Interruptor Seguridad Puerta	Interrupteur Sécurité Porte	Door Safety Switch	Sicherheitsschalter Tür	Interruttore Sicurezza Porta
K1,K2,CK1,CK2=	Rele Resistencia	Relais Élément Chauffant	Heating Element Relay	Relais Heizwiderstand	Rele Resistenza
Lz =	Luz Interior	Éclairage Intérieur	Inner Light	Innenbeleuchtung	Luce Interna
M, M1, M2 =	Motor Turbina	Moteur Turbine	Turbine Engine	Motor Turbine	Motore Turbina
Mch =	Motor Chimenea	Moteur Cheminée	Stack Engine	Motor Abluftkamin	Motore Canna
Md =	Motor Válvula	Moteur vanne	Valve Engine	Motor Ventil	Motore Valvola
MBA =	Bomba Lavado	Pompe Lavage	Washing Pump	Waschenpumpe	Pompa lavaggio
Mb =	Interruptor Micro Bajada	Microrupteur Descente	Drop Microswitch	Mikroschalter Senken	Interruttore Micro Discesa
Ms =	Interruptor Micro Subida	Microrupteur Montée	Rise Microswitch	Mikroschalter Heben	Interruttore Micro Salita
PF =	Potenciómetro Selector Funciones	Potentiomètre Sélecteur Fonctions	Functions Selector Potentiometer	Potentiometer Funktionswahlschalter	Potenzimetro Selettore Funzioni
PRG =	Programador	Programateur	Programmer	Programmiervorrichtung	Programmatore
RC =	Resistencias Cámara	Éléments Chauffants Chambre	Chamber Heating Element	Heizwiderstände Garraum	Resistenze Camere
RV =	Resistencias Caldera	Éléments Chauffants Chaudière	Boiler Heating Element	Heizwiderstände Boiler	Resistenze Caldaia
Tc =	Sonda Cámara	Sonde Chambre	Chamber Probe	Sonde Garraum	Sonda Camera
TCN =	Termostato Condensación	Thermostat Condensation	Condensation Thermostat	Thermostat Kondensierung	Termostato Condensazione
Tg =	Sonda Caldera	Sonde Chaudière	Boiler Probe	Sonde Boiler	Sonda Caldaia
TH =	Sonda Humedad	Sonde Humidité	Humidity Probe	Sonde Feuchtigkeit	Sonda Umidità
Tn =	Sonda Núcleo	Sonde Noyau	Core Probe	Kerntemperaturmesssonde	Sonda Nucleo
TRF =	Transformador	Transformateur	Transformer	Transformator	Trasformatore
TSC =	Termostato Seguridad Cámara	Thermostat Sécurité Chambre	Chamber Safety Thermostat	Sicherheitsthermostat Garraum	Termostato Sicurezza Camera
TSV =	Termostato Seguridad Caldera	Thermostat Sécurité Chaudière	Boiler Safety Thermostat	Sicherheitsthermostat Boiler	Termostato Sicurezza Caldaia
Tv =	Sonda Vapor	Sonde Vapeur	Steam Probe	Sonde Dampf	Sonda Vapore
VAC =	Bomba Vaciado	Pompe Vidange	Vacuum Pump	Ablasspumpe	Pompa scarico
VAcL =	Electro válvula Aclarado	Électrovanne Rinçage	Rinsing Solenoid Valve	Elektroventil Klarspülen	Elettrovalvola Risciacquo
VC =	Ventilador Soplante	Ventilateur Soufflant	Blowing Fan	Ventilator Gebläse	Ventilatore Soffiante
VCN =	Electro válvula Condensación	Électrovanne Condensation	Condensation Solenoid Valve	Elektroventil Kondensierung	Elettrovalvola Condensazione
VDV =	Electro válvula Llenado Caldera	Électrovanne Remplissage Chaudière	Chamber Filling Solenoid Valve	Elektroventil Füllung Boiler	Elettrovalvola di Riempimento Caldaia
VE =	Ventilador Cuadro Eléctrico	Ventilateur Tableau Électrique	Fan Switchboard	Ventilator Elektrotafel	Ventilatore Quadro Elettrico
VHM =	Electro válvula Humidificador	Électrovanne Humidificateur	Humidifier Solenoid Valve	Elektroventil Befeuchtungsrichtung	Elettrovalvola Umidificatore
VLav =	Electro válvula Lavado	Électrovanne Lavage	Washing Solenoid Valve	Elektroventil Waschen	Elettrovalvola Lavaggio
Vv =	Variador Velocidad	Variateur Vitesse	Speed Variator	Geschwindigkeitsregler	Variatore di Velocità
<b>COLOR</b>	<b>COLORES</b>	<b>COULEURS</b>	<b>COLOUR</b>	<b>FARBEN</b>	<b>COLORE</b>
Va =	Azul	Bleu	Blue	Blau	Blu
am =	Amarillo	Jaune	Yellow	Gelb	Giallo
am/ve =	Amarillo/verde	Jaune / vert	Yellow / green	Gelb/grün	Giallo/verde
b =	Blanco	Blanc	White	Weiß	Bianco
g =	Gris	Gris	Grey	Grau	Grigio
m =	Marrón	Marron	Brown	Braun	Marrone
n =	Negro	Noir	Black	Schwarz	Nero
na =	Naranja	Orange	Orange	Orange	Arancio
r =	Rojo	Rouge	Red	Rot	Rosso
rs =	Rosa	Rose	Pink	Rosa	Roseo
ve =	Verde	Vert	Green	Grün	Verde
vi =	Violeta	Violet	Purple	Violett	Viola



3-50Hz 220V



- 1 T-303032
  - 2 T-303033
  - 3 T-303034
  - 4 T-303035
  - 5 T-303036
  - 6 T-303030
  - 7 T-303022
  - 8 T-303028
  - 9 T-303029
  - 10 T-303031
  - 11 T-303037
- Esquema teorico T-303038  
 Leyenda T-303042  
 Indicador comp. T-303043

Plano Montaje HGV 380V				T303044000			
Zk./Nº	Pieza	Cant.	Material/Material	Klas. zk/Nº Clas.	Gainazal akabera/Tratamiento		
Zk./Nº	Aldaketa/Modificaciones		Nork proposatua/Propuesta de	Data/Fecha	Perdoi orokorrak	Tolerancias generales	
-	-	-	-	-	< 5 ± 0.2	50 ± 100 ± 0.8	
-	-	-	-	-	5 ± 25 ± 0.4	> 100 ± 1	
-	-	-	-	-	25 ± 50 ± 0.8	α ± 1	
				Sinadura/Firma	Data/Fecha	Gainazal perdoia	
				M.Mallo	12-02-2003	Mecanizado superficial	
Marratzua/Dibujado				FAGOR		-	
Proiektatua/Proyectado				Fagor Industrial, Koop. Elk. Mugatua			
Egiaztatua/Comprobado				12-02-2003			
Eskala/Escala				-			
				<b>HORNOS</b>			
				Plano Zk./Plano Nº			
				HD-12884			
				- Zk. ord. du			
				- Zk.gaitik ord.			

Plano hau ezin dateke erabili, ez bertiztatu, gure baituenik gabe.