
DESPIECE TECNICO

Hornos estáticos
Fours statiques
Static ovens
Kombinationsöfen
Forni statici
Fornos estáticos

Modelos:

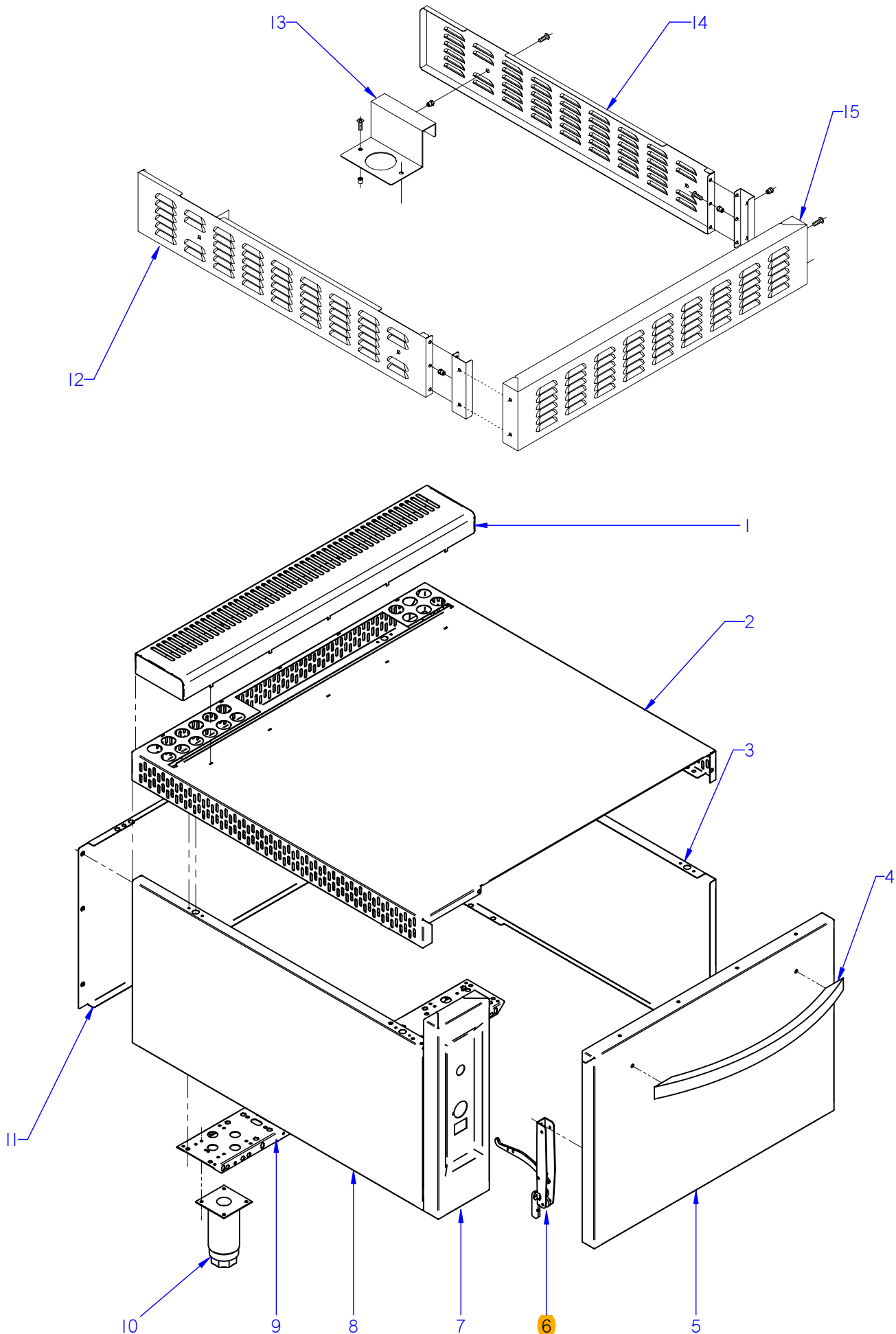
HG9-10
HG9-20
HE9-10
HE9-20
HG9-15 OP

Octubre 2010 October

Revisado Agosto 2011 August Revised



F A G O R I N D U S T R I A L



ITEM MARCADO EN COLOR = REPUESTO RECOMENDADO
 COLOURED ITEM = RECOMMENDED SPARE PART

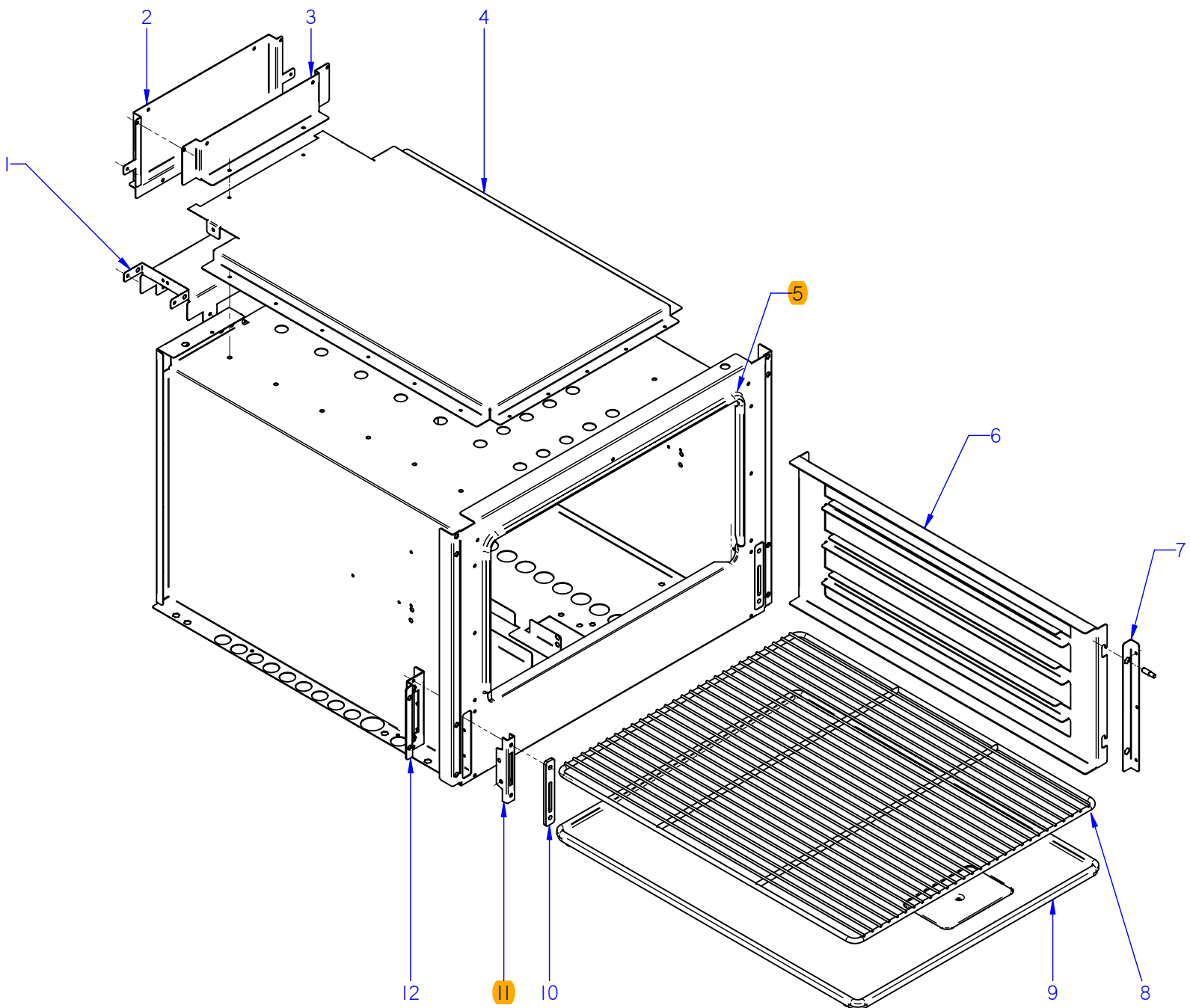
N plano	Firma	Fecha	Aparato	MUEBLE / UNIT	Lamina	Fagor Industrial S.Coop. FAGOR
C-2711	<i>[Signature]</i>	2010-10		HORNOS ESTATICOS	1	Oñate

MOD.		HORNOS ESTATICOS / STATIC OVENS		ZONA / ZONE	MUEBLE / UNIT					PLANO DIAGRAM	C-2711
ITEM	CODIGO CODE	DENOMINACION	NAME	HG9-10	HG9-20	HG9-15	HE9-10	HE9-20			
1	T982806000	EMBELLECEDOR CHIMENEA	FIRE COVER	1	1		1	1			
1	U102802000	EMBELLECE. CHIMENEA HG9-15	FIRE COVER HG9-15			1					
	Q419005000	REMACHE 4x8 ALMG3 / ALUMINIO	RIVET 4X8 ALMG3 / ALUMINIUM	6	6		6	6			
2	T982815000	CUBIERTA HORNO	DECK OVEN	1			1				
2	T982817000	CUBIERTA HORNO HG9-20 INF(08	DECK OVEN HG9-20		1			1			
2	U102801000	TAPA HORNO HG9-15	DECK OVEN HG9-15			1					
	Q221342000	REMACHE EXAGONAL M5	HEXAGONAL RIVET M5	4	8	8	4	8			
	X012612000	PITON CIERRE	LOCK SPIKE	4	8		4	8			
	X010503000	CIERRE MUELLE	LOCK SPRING	2	4		2	4			
	Q419007000	REMACHE TUBULAR C/V Ø2x6	TUBULAR RIVET C/V Ø2x6	4	8		4	8			
	Q152004000	TORNIL, APLASTADO M5x13 A304	FLAT HEADED BOLT M5x13 A304	2	4	4	2	4			
3	T982816000	PANEL LATERAL DERECHO	RIGHT SIDE PANEL	1	2		1	2			
3	U102805000	PANEL LATERAL DCHO. HG9-15	RIGHT SIDE PANEL HG9-15			1					
	X010503000	CIERRE MUELLE	LOCK SPRING	2	4	2	2	4			
	Q419007000	REMACHE TUBULAR C/V Ø2x6	TUBULAR RIVET C/V Ø2x6	4	8	4	4	8			
	Q221343000	REMACHE EXAGONAL M6	HEXAGONAL RIVET M6	4	8	4	4	8			
	Q152004000	TORNIL, APLASTADO M5x13 A304	FLAT HEADED BOLT M5x13 A304	1	2	1	1	2			
4	U020504000	ASA DE HORNO COMPLETA G900	COMPL. OVEN HANDLE G900	1	2	1	1	2			
	Q012041000	TORNILLO EXAGONAL M6x10	HEXAGONAL BOLT M6x10	2	4	2	2	4			
	Q302022000	ARANDELA 16x6x1,2 A304	WASHER 16x6x1.2 A304	2	4	2	2	4			
5	1100003414	KIT PUERTA DE HORNO	OVEN DOOR KIT	1	2		1	2			
5	U100514000	PUERTA DE HORNO GRANDE	LARGE OVEN DOOR			1				ELIMINADO 20.06.11	
5	U100522000	PUERTA DE HORNO OP	OP OVEN DOOR			1				INTRODUCIDO 20.06.11	
6	U020528000	BISAGRA CIERRE HORNO	OVEN LOCK HINGE	2	4	2	2	4			
	Q152022000	TORNILLO M6x8	BOLT M6x8	6	12	6	6	12			
7	U022862000	PORTAMANDOS LATERAL HG	SIDE CONTROL HOLDER HG	1	2	1					
7	U672856000	PORTAMANDOS LATERAL HE	SIDE CONTROL HOLDER HE				1	2			
	U022836000	ESCUDO FAGOR	FAGOR EMBLEM	1	2	1	1	2			
	Q221023000	CLIP SUJECIÓN RÁPIDA Ø5	RAPID CONNECT CLIP Ø5	2	4	2	2	4			
	Q152004000	TORNIL, APLASTADO M5x13 A304	FLAT HEADED BOLT M5x13	2	4	2	2	4			

MOD.		HORNOS ESTATICOS / STATIC OVENS		ZONA / ZONE	MUEBLE / UNIT					PLANO DIAGRAM	C-2711
ITEM	CODIGO CODE	DENOMINACION	NAME	HG9-10	HG9-20	HG9-15	HE9-10	HE9-20			
8	T982814000	PANEL LATERAL IZQUIERDO	LEFT SIDE PANEL	1	2	—	1	2			
8	U102803000	PANEL LATERAL IZDO. HG9-15	LEFT SIDE PANEL HG9-15	—	—	1	—	—			
	X010503000	CIERRE MUELLE	LOCK SPRING	2	4	2	2	4			
	Q419007000	REMACHE TUBULAR C/V Ø2x6	TUBULAR RIVET C/V Ø2x6	4	8	4	4	8			
	Q221343000	REMACHE EXAGONAL M6	HEXAGONAL RIVET M6	4	8	4	4	8			
	Q152004000	TORNIL, APLASTADO M5x13 A304	FLAT HEADED BOLT M5x13 A304	1	2	1	1	2			
9	U022625000	LISTON SOPORTE PATAS 1 M	LEG SUPPORT STRIP 1 M	2	4	—	2	4			
9	U102611000	LISTON SOPORTE PATAS 1,5 M	LEG SUPPORT STRIP 1,5 M	—	—	2	—	—			
10	X260151000	PATA REGULABLE	ADJUSTABLE LEG	4	8	4	4	8			
	Q411304000	REMACHE AVIBULB Ø 4,8	AVIBULB RIVET Ø 4.8	16	32	16	4	32			
11	T982802000	PANEL POSTERIOR 1 M	REAR PANEL 1 M	1	2	—	1	2			
11	U102804000	PANEL POSTERIOR HG9-15	REAR PANEL HG9-15	—	—	1	—	—			
	Q419005000	REMACHE 4x8 ALMG3 / ALUMINIO	RIVET 4X8 ALMG3 / ALUMINIUM	6	12	6	6	12			
	Q221342000	REMACHE EXAGONAL M5	HEXAGONAL RIVET M5	2	4	2	2	4			
	X012612000	PITON CIERRE	LOCK SPIKE	2	4	2	2	4			
12	T992801000	ZOCALO LATERAL IZQUIERDO	LEFT SIDE SOCKET	—	1	—	—	1			
	Q419005000	REMACHE 4x8 ALMG3 / ALUMINIO	RIVET 4X8 ALMG3 / ALUMINIUM	—	3	—	—	3			
13	T992600000	ESCUADRA FIJACION PATA	SQUARE FOOT LOCK	—	4	—	—	4			
	Q012032000	TORNILLO EXAGONAL M5X15	HEXAGONAL BOLT M5X15	—	8	—	—	8			
14	T992800000	ZOCALO LATERAL DERECHO	RIGHT SIDE SOCKET	—	1	—	—	1			
	Q419005000	REMACHE 4x8 ALMG3 / ALUMINIO	RIVET 4X8 ALMG3 / ALUMINIUM	—	3	—	—	3			
S/Nº	T992802000	ESCUADRA AMARRE ZOCALO	TIE SQUARE SOCKET	—	2	—	—	2			
	Q221342000	REMACHE EXAGONAL M5	HEXAGONAL RIVET M5	—	10	—	—	10			
	Q152004000	TORNIL, APLASTADO M5x13 A304	FLAT HEADED BOLT M5x13 A304	—	10	—	—	10			
15	T992803000	ZOCALO FRONTAL	SOCKET FRONT	—	1	—	—	1			
	Q152004000	TORNIL, APLASTADO M5x13 A304	FLAT HEADED BOLT M5x13 A304	—	4	—	—	4			

N plano
C-2712
Firma
Fecha
2010-10
Aparato
HORNO A GAS / GAS OVEN
HORNO A GAS / GAS OVEN
Lamina
2
Fagor Industrial S. Coop.
Omate

ITEM MARCADO EN COLOR = REPUESTO RECOMENDADO
COLOURED ITEM = RECOMMENDED SPARE PART



MOD.		HORNOS ESTATICOS / STATIC OVENS		ZONA / ZONE		HORNO A GAS / GAS OVEN			PLANO DIAGRAM		C-2712	
ITEM	CODIGO CODE	DENOMINACION	NAME	HG9-10	HG9-20	HG9-15						NOTAS
1	T985610000	DISTANCIADOR CHIMENEA	FLUEPIPE SPACER	1	2	-						
2	T985613000	POSTERIOR CHIMENEA	REAR FLUEPIPE	1	2	-						
2	U105628000	CHIMENEA POSTERIOR	REAR FLUEPIPE	-	-	1						
	Q419005000	REMACHE 4x8 ALMG3 / ALUMINIO	RIVET 4X8 ALMG3 / ALUMINIUM	8	16	-						
3	T985612000	CHIMENEA ANTERIOR	FRONT FLUEPIPE	1	2	-						
3	U105629000	CHIMENEA ANTERIOR	FRONT FLUEPIPE	-	-	1						
4	T985611000	CAMARA DE HUMOS	SMOKE CHAMBER	1	2	-						
4	U105615000	CAMARA DE HUMOS	SMOKE CHAMBER	-	-	1						
	Q419005000	REMACHE 4x8 ALMG3 / ALUMINIO	RIVET 4X8 ALMG3 / ALUMINIUM	19	38	19						
5	U025623000	JUNTA PUERTA HORNO INOX	OVEN DOOR SEAL INOX.	1	2	-						ELIMINADO 03.01.11
5	U965613000	JUNTA HORNO FIBRA VIDRIO	OVEN GLASS FIBER BOARD	1	2	-						INTRODUCIDO 03.01.11
5	U105605000	JUNTA PUERTA HORNO INOX	OVEN DOOR SEAL INOX.	-	-	1						
6	U915607000	GUIA LATERAL HORNO G700	OVEN SIDE GUIDE G700	2	4	-						
6	U105611000	GUIA LATERAL HORNO	OVEN SIDE GUIDE	-	-	2						
	Q151336000	TORNILLO SOPORTE GUIAS	GUIDE SUPPORT BOLT	4	8	4						
	Q302022000	ARANDELA 16X6X1.2 A.304	WASHER 16X6X1.2 A.304	4	8	4						
	Q221321000	REMACHE ROSCAD.NUTSERT.M6	THREADED RIVET .NUTSERT.M6	4	8	4						
7	U915616000	SUPLEMENTO AMARRE GUIA LAT.	SIDE GUIDE FAST. SUPPL.	2	4	-						
	Q412000000	REMACHE TUBULAR 4x8	TUBULAR RIVET 4x8	6	12	-						
8	U135642000	PARRILLA DE HORNO	OVEN TRAY	1	2	-						
8	U105624000	PARRILLA DE HORNO	OVEN TRAY	-	-	1						
9	U025636000	PLACA DE HORNO	OVEN PLATE	1	2	-						
10	U915619000	EMBELLECED GUIA BISAGRA	HINGE GUIDE TRIM	2	4	-						
10	U105620000	EMBELLECED GUIA BISAGRA	HINGE GUIDE TRIM	-	-	2						
	Q152045000	TORNILLO AMARRE M6X25	FASTENING BOLT M6X25	4	8	4						
11	U010512000	GUIA DE BISAGRA	HINGE GUIDE	2	4	2						
12	U915604000	AMARRE GUIA BISAGRA HORNO	OVEN HINGE GUIDE FASTENING	2	4	-						
	Q221342000	REMACHE EXAGONAL M5	HEXAGONAL RIVET M5	2	4	-						
	Q412000000	REMACHE TUBULAR 4x8	TUBULAR RIVET 4x8	6	12	-						
	Q222042000	REMACHE EXAGONAL ROSCA M6	HEXAGONAL RIVET THREAD M6	4	8	-						

N plano
C-2713

Firma
(Firma)

Fecha
2010-10

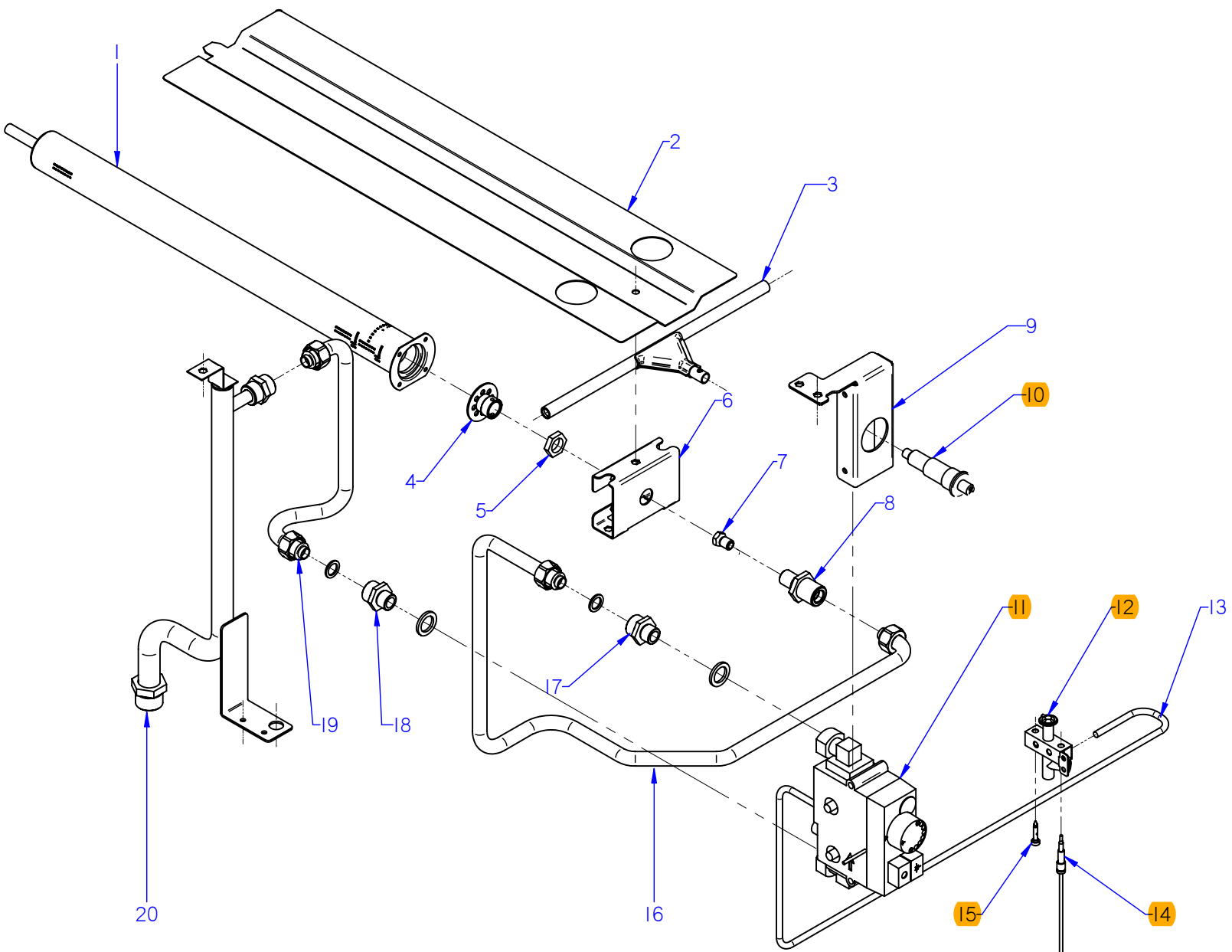
Aparato
HORNOS ESTATICOS HG9-10/15/20

Lamina
3

Fagor Industrial S. Coop. **FAGOR**
Omate

PARTE FUNCIONAL GAS / FUNCTIONAL PART GAS

ITEM MARCADO EN COLOR = REPUESTO RECOMENDADO
COLOURED ITEM = RECOMMENDED SPARE PART

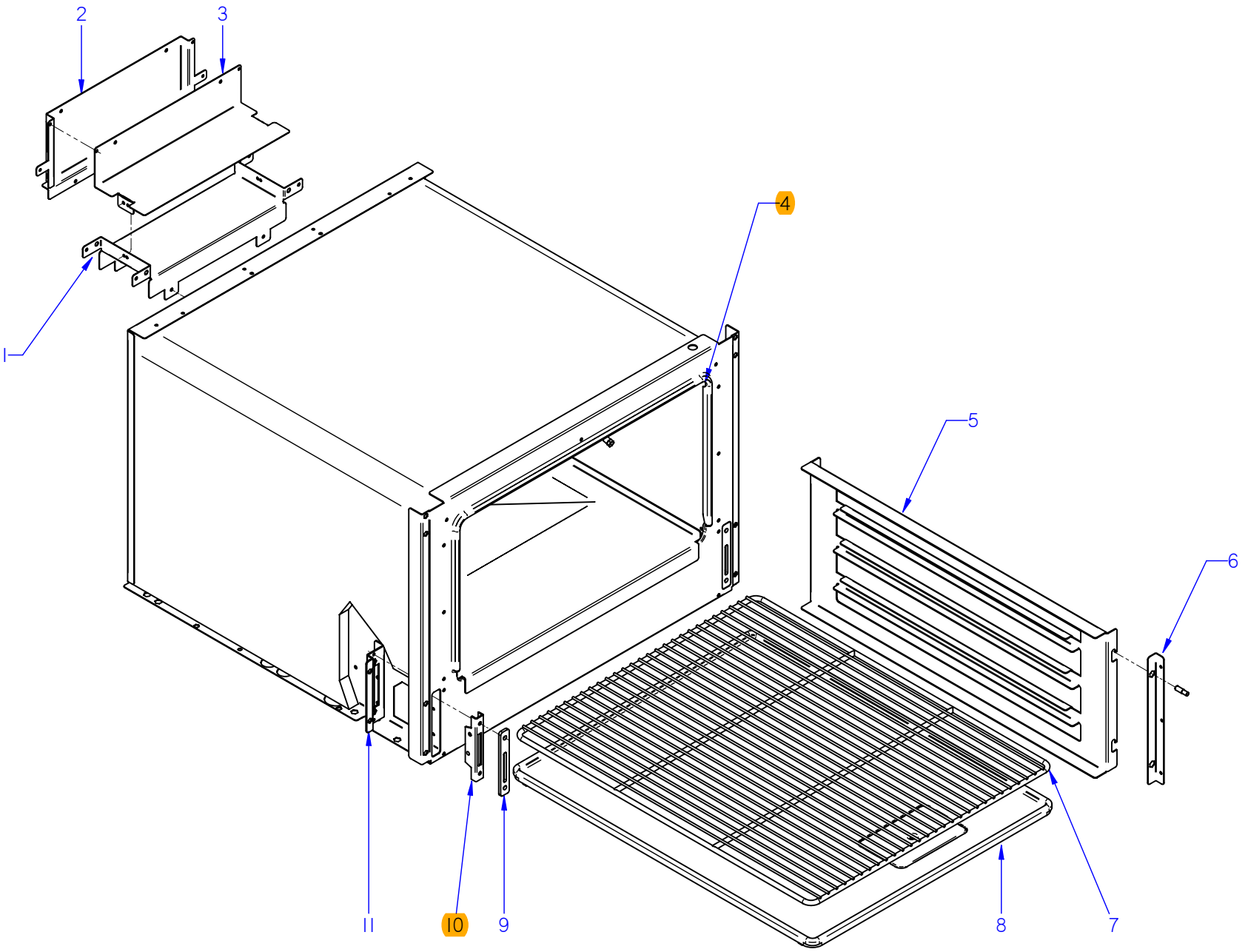


MOD.		HORNOS ESTATICOS / STATIC OVENS		ZONA / ZONE		PARTE FUNCIONAL GAS FUNCTIONAL PART GAS			PLANO DIAGRAM		C-2713	
ITEM	CODIGO	DENOMINACION	TEXTO	HG9-10	HG9-20	HG9-15						NOTAS
1	U105701000	QUEMADOR HORNO	OVEN BURNER.	1	2	2						
	Q042022000	TORNILLO AVELLANADO M4X15	COUNTERSUNK BOLT M4x15	4	8	8						
2	U915613000	DEFLECTOR QUEMADOR HORNO	OVEN BURNER DEFLECTOR	1	2							
2	U105610000	DEFLECTOR QUEMADOR HORNO	OVEN BURNER DEFLECTOR			2						
	Q302022000	ARANDELA 16x6x1,2 A304	WASHER 16x6x1.2 A304	1	2	2						
	Q152004000	TORNILLO APLASTADO M5x13	FLAT HEAD SCREW M5X13	1	2	2						
3	U105712000	RAMA ENCENDIDO QUEM. HORNO	OVEN BURNER IGNITION BRANC			1						
	U105013000	TUERCA M10X1	NUT M10X1			1						
	X205028000	BICONO Ø 6	BICONE Ø 6			1						
4	X505013000	REGULADOR DE AIRE POLIDORO	POLIDORO AIR CONTROL	1	2	2						
	Q151320000	TORNILLO ALOMADO M4x6 H.ZINC.	CURVED SCREW M4X6 H. ZINC	1	2	2						
S/Nº	U102401000	TOBERA Ø 0,40 BP (POLIDORO)	NOZZLE Ø 0,40 BP (POLIDORO)			1						
S/Nº	U102402000	TOBERA Ø 0,70 GN (POLIDORO)	NOZZLE Ø 0,70 GN (POLIDORO)			1						
5	Q223019000	TUERCA 3/8 GAS LATÓN	NUT 3/8 GAS BRASS	1	2	2						
6	U105635000	AMARRE QUEMADOR HORNO(HG)	OVEN BURNER FASTENING (HG)	1	2	2						
	Q012031000	TORNILLO EXAGONAL M5x10 A304	HEXAGONAL BOLT M5x10 A304	2	4	4						
	Q222041000	REMACHE EXAGONAL M4 (INOX)	HEXAGONAL RIVET M4 (INOX)	4	8	8						
	Q221342000	REMACHE EXAGONAL M5	HEXAGONAL RIVET M5	4	8	8						
7	U052401000	TOBERA Ø 1,45 BP	NOZZLE Ø 1.45 BP	1	2							
7	631000000	TOBERA Ø 1,40 BP	NOZZLE Ø 1.40 BP			1						
7	U262400000	TOBERA Ø 2,15 GN	NOZZLE Ø 2.15 GN	1	2	1						
8	X505724000	MANGUITO PORTATOVERAS	NOZZLE HOLDER SLEEVE	1	2	2						
9	U022638000	SOPORTE VALVULA SUPERIOR	SUPER.VALVE SUPPORT	1	2							
	Q152004000	TORNILLO APLASTADO M5x13	FLAT HEAD SCREW M5X13	4	8							
	Q221342000	REMACHE EXAGONAL M5	HEXAGONAL RIVET M5	2	4							
10	S113034000	PIEZOELECTRICO	PIEZOELECTRIC	1	2	1						

MOD.		HORNOS ESTATICOS / STATIC OVENS		ZONA / ZONE		PARTE FUNCIONAL GAS FUNCTIONAL PART GAS			PLANO DIAGRAM		C-2713	
ITEM	CODIGO	DENOMINACION	TEXTO	HG9-10	HG9-20	HG9-15						NOTAS
11	U134324000	VALVULA MINISIT 0710.654	VALVE MINISIT 0710.654	1	2	1						
S/Nº	Q307041000	JUNTA TORICA 25,4x20,2x2,6	O-RING 25.4x20.2x2.6	2	4	2						
S/Nº	U134317000	MANDO NEGRO MINI 916.124	BLACK CTRL. MINI 916.124	1	2	1						
S/Nº	U134318000	CUBIERTA MINISIT 903.052	COVER MINISIT 903.052	1	2	1						
S/Nº	Q031322000	TORNILLO ALOMADO M4x15	CURVED SCREW M4X15	8	16	8						
S/Nº	U264300000	RACOR 3/8 906,252	CONNECTION 3/8 906.252	2	4	2						
S/Nº	U134323000	RACORD BICONO 6 958.031	BICONE CONNECTION 6 958.031	1	2	1						
12	U322118000	PILOTO COMPLETO 100.062	COMPLETE PILOT LIGHT 100,062	1	2	1						
S/Nº	X022131000	BUJIA	SPARK PLUG	-	-	1						
S/Nº	U323030000	CABLE BUJIA	SPARK PLUG CABLE	-	-	1						
S/Nº	U333003000	CABLE MASA ENCENDEADOR	LIGHTER EARTH CABLE	-	-	1						
13	U025062000	TUBO PILOTO EUROSIT QUEM.	PILOT PIPE EUROSIT BURNER	1	2	-						
13	U105008000	TUBO PILOTO HG9-15	PILOT PIPEHG9-15	-	-	1						
	U134323000	RACORD BICONO 6 958.031	BICONE CONNECTION 6 958.031	2	4	2						
	Q012031000	TORNILLO EXAGONAL M5x15 A304	HEXAGONAL BOLT M5x15 A304	2	4	2						
14	U562130000	TERMOPAR L=850	THERMOCOUPLE L=850	1	2	1						
15	U442137000	INYECTOR Ø 0,4 GN	INJECTOR Ø 0.4 GN.	1	2	1						
16	U025061000	TUBO COMPLETO EUROSIT QUEMA	COMPLETE PIPE EUROSIT BURN	1	2	-						
16	U105002000	TUBO COMP. QUEMADOR HORNO	OVEN BURNERCOMPLET. PIPE	-	-	1						
S/Nº	U264310000	MANGUITO 3/8"	HOSE 3/8"	-	-	1						
17	U202103000	MANGUITO REDUCCION 1/2-3/8"	REDUCTION HOSE 1/2-3/8"	1	2	1						
	Q306058000	ARANDELA 25x17X2.5	WASHER 25x17X2.5	1	2	1						
18	U202103000	MANGUITO REDUCCION 1/2-3/8"	REDUCTION HOSE 1/2-3/8"	1	2	1						
	Q306058000	ARANDELA 25x17X2.5	WASHER 25x17X2.5	1	2	1						
19	U025014000	ENTRADA MINISIT COMPL CG9-41	INPUT MINISIT COMPL CG9-41	1	2	1						
	Q306062000	ARANDELA Ø13,9X10,33x1,5	WASHER Ø13.9X10.33x1.5	8	16	8						
20	T985010000	TUBO ENTRADA COMPLETO	INPUT PIPE COMPL	1	2	-						
20	U105009000	TUBO ENTRADA COMPLE. HG9-15	INPUT PIPE COMPL HG9-15	-	-	1						

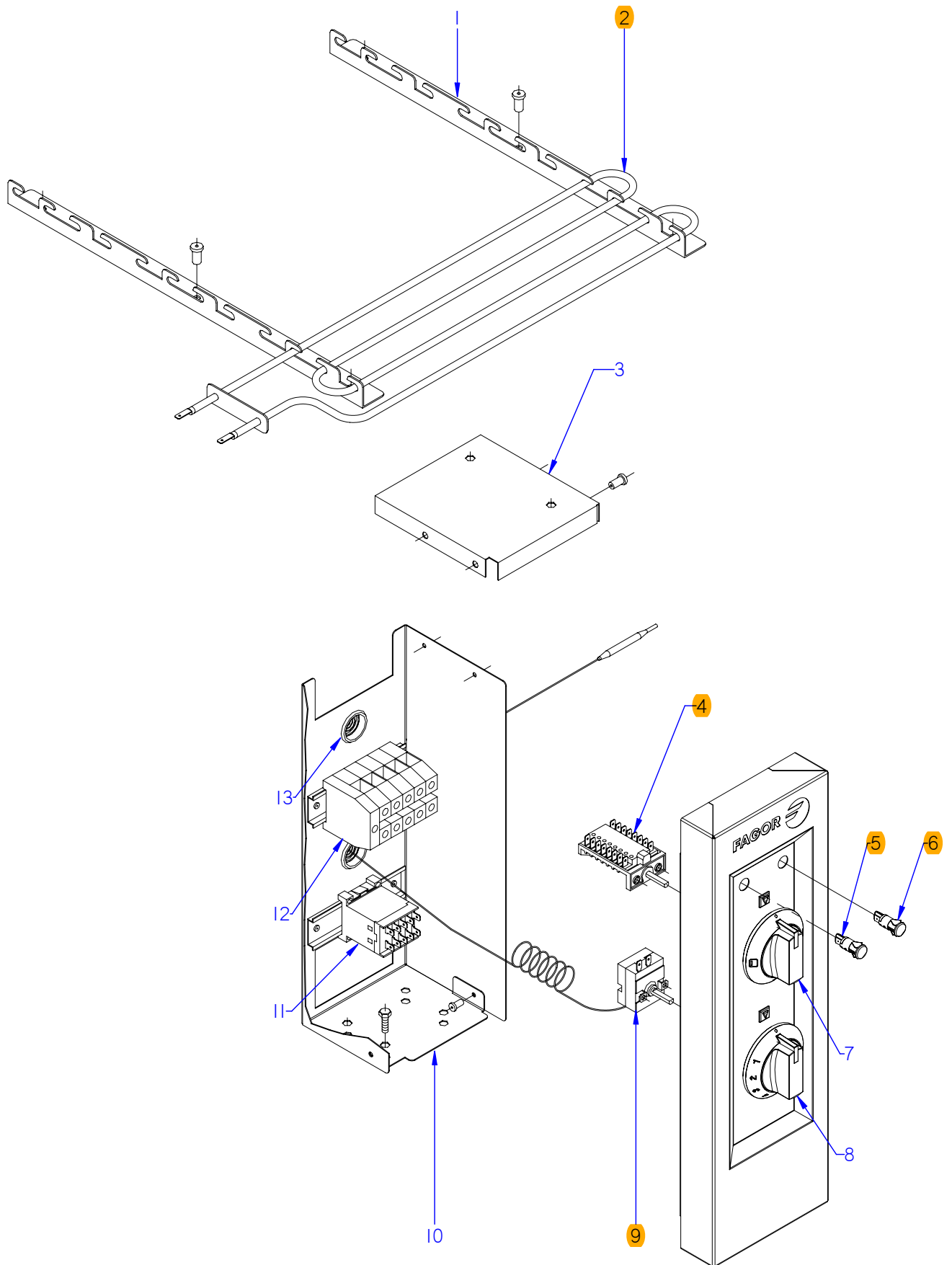
N plano
C-2714
Firma
Fecha
2010-10
Aparato
HORNO ESTATICOS HE9-10/20
HORNO ELECTRICO / ELECTRIC OVEN
Lamina
4
Fagor Industrial S. Coop.
Omate

ITEM MARCADO EN COLOR = REPUESTO RECOMENDADO
COLOURED ITEM = RECOMMENDED SPARE PART



MOD.	HORNOS ESTATICOS / STATIC OVENS	ZONA / ZONE	HORNO ELECTRICO / ELECTRIC OVEN	PLANO DIAGRAM	C-2714
------	--	-------------	--	------------------	--------

ITEM	CODIGO	DENOMINACION	TEXTO	HE9-10	HE9-20						NOTAS
1	U022640000	DISTANCIADOR CHIMENEA	FLUEPIPE SPACER	1	2						
	Q419005000	REMACHE 4x8 ALMG3 / ALUMINIO	RIVET 4X8 ALMG3 / ALUMINIUM	12	24						
2	T985613000	POSTERIOR CHIMENEA	REAR FLUEPIPE	1	2						
3	T985618000	ANTERIOR CHIMENEA	FLUEPIPE FRONT	1	2						
4	U025623000	JUNTA PUERTA HORNO INOX	OVEN DOOR SEAL INOX.	1	2						ELIMINADO 03.01.11
4	U965613000	JUNTA HORNO FIBRA VIDRIO	OVEN GLASS FIBER BOARD	1	2						INTRODUCIDO 03.01.11
5	U915607000	GUIA LATERAL HORNO G700	OVEN SIDE GUIDE G700	2	4						
	Q151336000	TORNILLO SOPORTE GUIAS	GUIDE SUPPORT BOLT	4	8						
	Q302022000	ARANDELA 16X6X1.2 A.304	WASHER 16X6X1.2 A.304	4	8						
	Q221321000	REMACHE ROSCAD.NUTSERT.M6	THREADED RIVET .NUTSERT.M6	4	8						
6	U915616000	SUPLEMENTO AMARRE GUIA LAT.	SIDE GUIDE FAST. SUPPL.	2	4						
	Q412000000	REMACHE TUBULAR 4x8	TUBULAR RIVET 4x8	6	12						
7	U135642000	PARRILLA DE HORNO	OVEN TRAY	1	2						
8	U025636000	PLACA DE HORNO	OVEN PLATE	1	2						
9	U915619000	EMBELLECED GUIA BISAGRA	HINGE GUIDE TRIM	2	4						
	Q152045000	TORNILLO AMARRE M6X25	FASTENING BOLT M6X25	4	8						
10	U010512000	GUIA DE BISAGRA	HINGE GUIDE	2	4						
11	U915604000	AMARRE GUIA BISAGRA HORNO	OVEN HINGE GUIDE FASTENING	2	4						
	Q221342000	REMACHE EXAGONAL M5	HEXAGONAL RIVET M5	2	4						
	Q412000000	REMACHE TUBULAR 4x8	TUBULAR RIVET 4x8	6	12						
	Q222042000	REMACHE EXAGONAL ROSCA M6	HEXAGONAL RIVET THREAD M6	4	8						



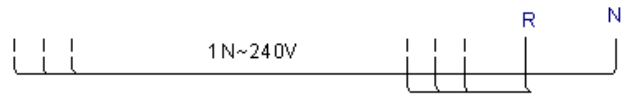
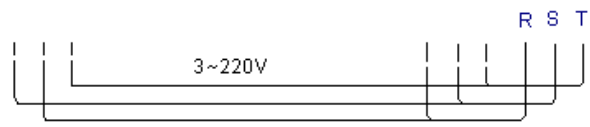
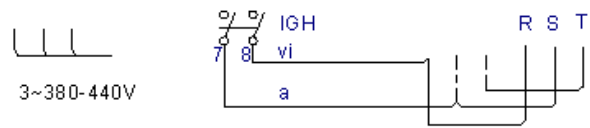
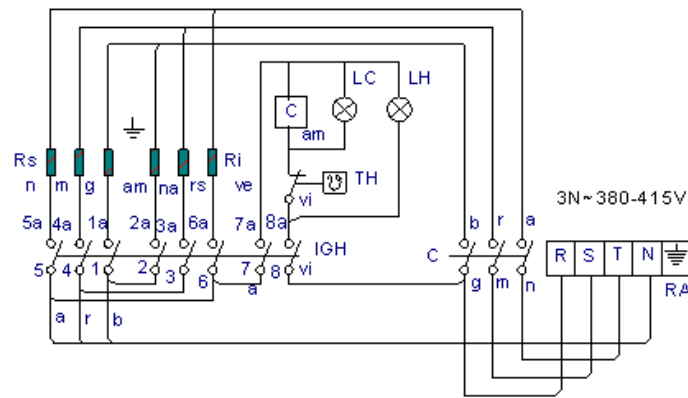
ITEM MARCADO EN COLOR = REPUESTO RECOMENDADO
 COLOURED ITEM = RECOMMENDED SPARE PART

N plano	Firma	Fecha	Aparato	PARTE FUNCIONAL ELECTRICA / FUNCTIONAL PART ELECTRIC	Lamina	Fagor Industrial S.Coop. FAGOR
C-2715	<i>[Signature]</i>	2010-10	HORNOS ESTATICOS HE9-10/20		5	Oñate

MOD.		HORNOS ESTATICOS / STATIC OVENS		ZONA / ZONE		PARTE FUNCIONAL ELECTRICA FUNCTIONAL PART ELECTRIC				PLANO DIAGRAM		C-2715	
ITEM	CODIGO	DENOMINACION	TEXTO	HE9-10	HE9-20							NOTAS	
1	U805613000	ESCUADRA SOPOR. RESISTENCIAS	SUPP. BRACKET RESISTORS	4	8								
	Q419005000	REMACHE 4x8 ALMG3 / ALUMINIO	RIVET 4X8 ALMG3 / ALUMINIUM	12	24								
2	U803004000	RESISTENCIA 1000W/230V	RESISTOR 1000W -230V	6	12								
3	U673051000	TAPA DE CUADRO ELECTRICO	ELECTRIC PANEL COVER	1	2								
	Q419005000	REMACHE 4x8 ALMG3 / ALUMINIO	RIVET 4X8 ALMG3 / ALUMINIUM	4	8								
	Q419005000	REMACHE 4x8 ALMG3 / ALUMINIO	RIVET 4X8 ALMG3 / ALUMINIUM	2	4								
	Q221342000	REMACHE EXAGONAL M5	HEXAGONAL RIVET M5	2	4								
	Q012032000	TORNILLO EXAGONAL M5x15 A304	HEXAGONAL BOLT M5x15	2	4								
	Q012032000	TORNILLO EXAGONAL M5x15 A304	HEXAGONAL BOLT M5x15	2	4								
4	U673006000	CONMUTADOR	SWITCH	2	4								
	Q151320000	TORNILLO ALOMADO M4x6 H.ZINC.	CURVED SCREW M4X6 H. ZINC	2	4								
5	R693055000	PILOTO VERDE 41227000C7	GREEN PILOT 41227000C7	1	2								
6	R693056000	PILOTO AMBAR	AMBER PILOT	1	2								
7	U173006000	MANDO MONTADO CE Ø6	CONTROL CE Ø6	1	2								
8	U173005000	MANDO CE Ø6 TERMOSTATO	CONTROL Ø6 THERMOSTAT	1	2								
9	X153000000	TERMOSTATO 50-310° C	THERMOSTAT 50-310 C	1	2								
	Q151320000	TORNILLO ALOMADO M4x6 H.ZINC.	CURVED SCREW M4X6 H. ZINC	2	4								
10	T963000000	CUADRO ELECTRICO	ELECTRICAL PANEL	1	2								
11	Z213007000	CONTACTOR 3TF2010-3AL2	CONTACTOR 3TF2010-3AL2	1	2								
	R663055000	GUIA CONTACTOR L-120	CONTACTOR GUIDE L-120	1	2								
	Q419005000	REMACHE 4x8 ALMG3 / ALUMINIO	RIVET 4X8 ALMG3 / ALUMINIUM	4	8								
12	P453025000	BORNES 10 WDU-10203.0	TERMINALS 10 WDU-10203.0	3	6								
	U803009000	BORNA PASO AZUL 16 MM.	BLUE TAP TERMINAL 16MM	1	2								
	P453026000	BORNA TIERRA 10 WPE-10103.0	TERMINAL TIER 10 WPE-10103.0	1	2								
	Z263303000	TOPE FINAL	END STOP	1	2								
	R663055000	GUIA CONTACTOR L-120	CONTACTOR GUIDE L-120	1	2								
13	X723014000	PASAMUROS AMETRO 30	AMETRO 30 WIRE PROTECTION	2	2								

ITEM	CODIGO CODE	DENOMINACION	NAME	VARIOS / MISCELLANEOUS					PLANO DIAGRAM	
				HG9-10	HG9-20	HG9-15	HE9-10	HE9-20		
	T986500000	FOLLETO DE INSTRUCCIONES HG9	INSTRUCTION LEAFLET HG9	1	1					
	U026508000	FOLLETO DE INSTRUCCIONES CG	INSTRUCTION LEAFLET CG			1				
	U176501000	FOLLETO DE INSTRUCCIONES CE	INSTRUCTION LEAFLET CE				1	1		
	U673054000	ESQUEMA TEORICO ADHESIVO	THEOR. DIAGRAM LABEL				1	1		PLANO HC-76539
	U673008000	CABLEADO HORNO	OVEN WIRING				1	2		

HE9-10



RA: Regleta de Alimentación

IGH : Conmutador General Horno

C: Contactor

LC : Lámpara Calentamiento Horno

LH: Lámpara Horno Encendido

TH : Termostato de Horno

Rs : Resistencia Horno Superior

Ri : Resistencia Horno Inferior

r = rojo-red-rouge

m = marron-brown-marron

g = gris-grey-gris

n = negro-black-noir

a = azul-blue-bleu

b = blanco-white-blanc

vi = violeta-violette-violet

am = amarillo-yellow-jaune

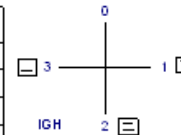
na = naranja-orange-orange

rs = rosa-rose-pink

ve = verde-green-vert

am/ve = amarillo/verde-yellow/green-jaune/vert

	1_2	3_4	5_6	7	8			
	1a	2a	3a	4a	5a	6a	7a	8a
0								
1	X		X	X		X	X	X
2	X	X	X	X	X	X	X	X
3	X	X			X	X	X	X



U673054

Esquema teorico adhesivo		U-673054000				
Nº	Pieza	Cart.	Material	Nº Clasificación	Acabado	
Nº	Modificación	Propuesta de		Fecha	Tolerancias generales	
					$\le 3\pm$	50-100± :
					5-25± :	> 100± :
					25-50± :	$\infty\pm$
Elaborado	Firma	Fecha			Mechanizado superficial	
Proyectado	M. Mallab	01-11-2002				
Comprobado	<i>Lete g</i>				Fagor Industrial, Coop. E.L., Miraflores	
Escrito						
1/1	COCINAS HE9-10				Plano número HC-76539	
	Plano homologado en el sistema de homologación FAGOR				Sustituye al N°	
					Sustituido por	