

---

DESPIECE TECNICO / SPARE PARTS BOM

---

**Hornos a gas**  
**Fours à gaz**  
**Gas ovens**  
**Gas heissluftdämpfer**  
**Forni a gas**  
**Fornos a gás**

**Modelos / Models:**

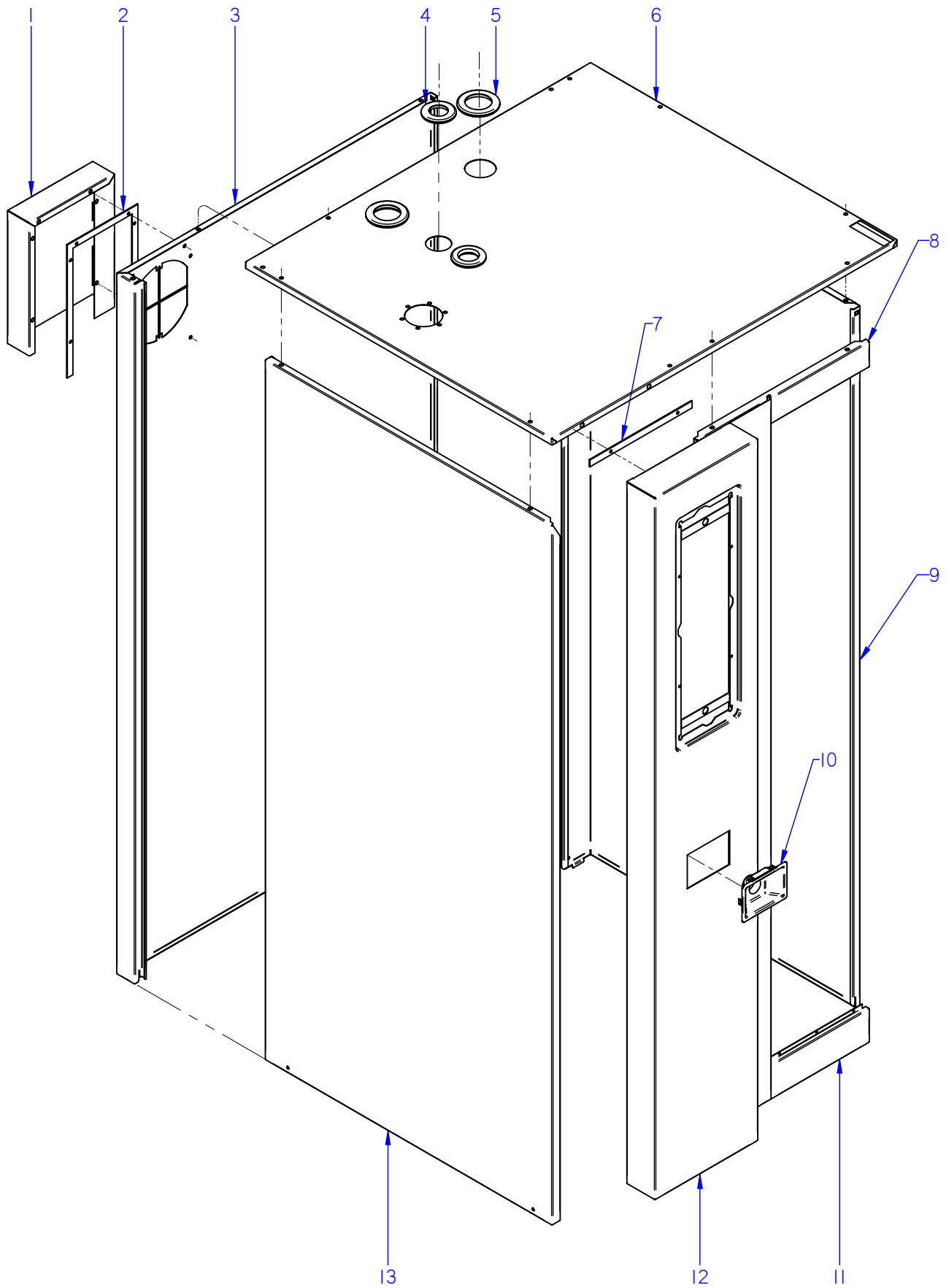
**AG-201**  
**ACG-201**  
**APG-201**

***Septiembre 2012 September***  
***Revisado Enero 2015 January Revised***



---

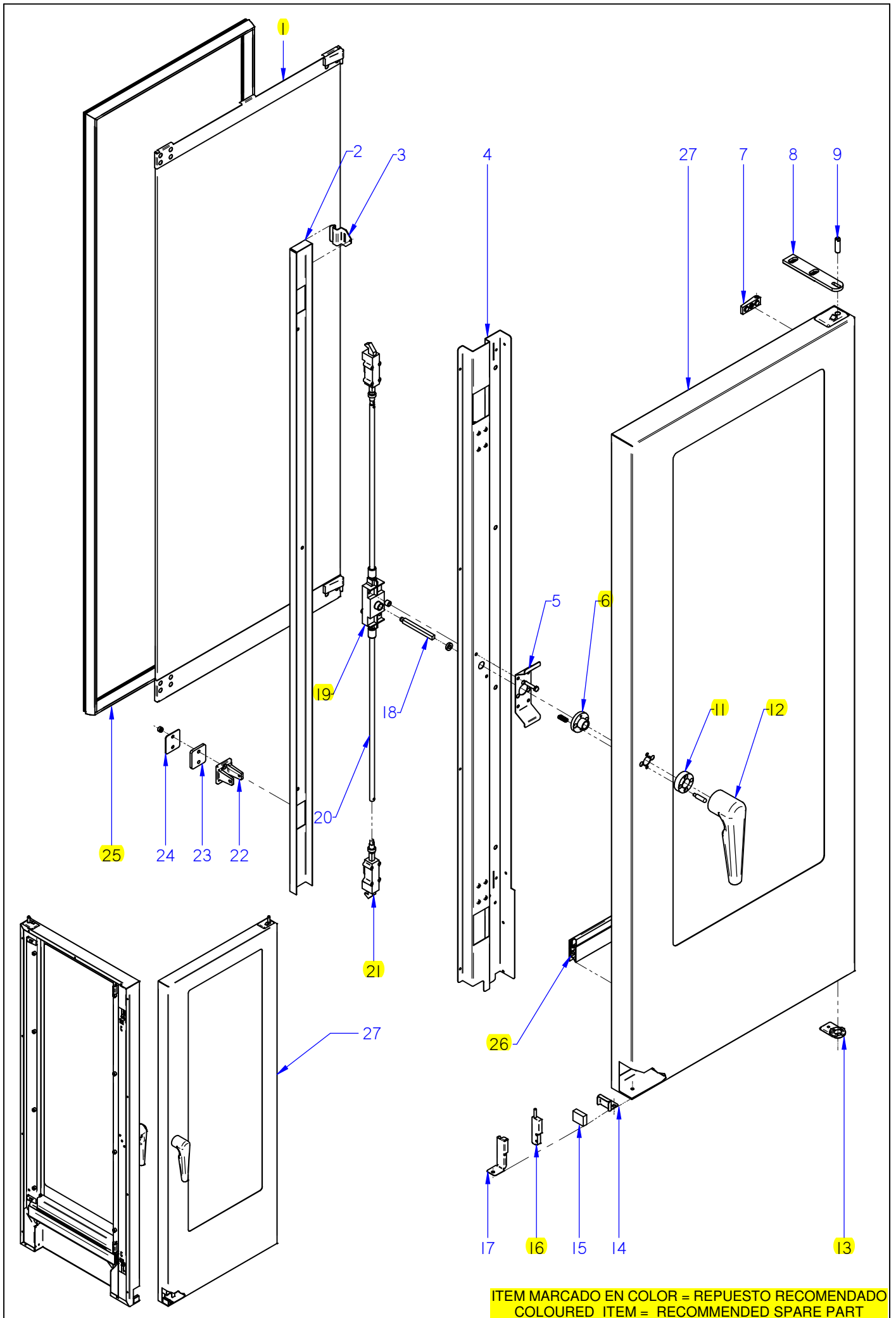
F A G O R I N D U S T R I A L



ITEM MARCADO EN COLOR = REPUESTO RECOMENDADO  
 COLOURED ITEM = RECOMMENDED SPARE PART

Nº plano / N° plane	Firma	Fecha / Date	Denominación / Denomination:	MUEBLE / UNIT	Lamina / Sheet	Fagor Industrial S.Coop. <b>FAGOR</b>
C-3072	<i>[Signature]</i>	2012-09	HORNOS AG; ACG; APG-201		1	Oñate

MOD.		HORNOS / OVEN	ZONA / ZONE	MUEBLE / UNIT							PLANO DIAGRAM	C-3072	
ITEM	CODIGO REFERENCE	DENOMINACION	DENOMINATION	ACG-201	AG-201	APG-201					ELIMINADO ELIMINATED	INTRODUCID. INTRODUCED	NOTAS
1	12022556	CHAPA SEPARACION IPX5 20-21	SEPARATION PLATE IPX5 20-21	1	1	1					01.11.12		
1	12022557	CHAPA SEPARACI. IPX5 20 SOLD.	SEPARAT. PLATE IPX5 20 WEL.	1	1	1						01.11.12	
	12010163	REMACHE EXAGONAL M.5	HEXAGONAL RIVET M.5	12	12	12							
2	12024081	JUNTA IPX5 20-21	SEAL IPX5 20-21	1	1	1							
	12009944	ARANDELA A5	FLAT WASHER A.5	6	6	6							
	12009890	ARANDELA ABANICO A5 A.304	FAN SHAPED WASHER A.5	6	6	6							
	12010238	TORNILLO EXAGONAL M5X10	HEXAGONAL BOLT M5X10	6	6	6							
3	12041103	PANEL POSTERIOR 201 ADV	REAR PANEL 201 ADV	1	1	1							
4	12039535	PASAMUROS Ø 38	Ø 38 BUSHING	2	2	2							
5	12024231	PASAMUROS CHIMENEA 10100336	FEED THROUGH FLUE PIPE 1010	2	2	2							
	12010242	TORNIL. APLASTADO M5X13 A 304	FLAT SCREW M.5x13	8	8	8							
6	12044454	PANEL SUPERIOR SOL. ACG 201	TOP PANEL ACG 201 SOLDIER	1	-	-							
6	12044427	PANEL SUPERIOR SOLD. AG 201	TOP PANEL AG 201 SOLDIER	-	1	1							
7	12041319	JUNTA PORTAMANDOS 201 ADV	CONTROL PANEL SEAL 201 ADV	1	1	1					28.03.14		
8	12041125	PANEL FRONTAL SUPE. 201 ADV	UPPER FRONT PANEL 201 ADV	1	1	1							
	12010163	REMACHE EXAGONAL M.5	HEXAGONAL RIVET M.5	2	2	2							
	12010065	REMACHE AVINOX Ø3.2X6MM	AVINOX Ø3.2X6MM RIVET	7	7	7							
9	12041123	PANEL EXTERIOR DCHO 201 ADV	RIGHT PANEL 201 ADV	1	1	1							
10	12041736	EMBELLECEDOR DUCHA AD	SHOWER TRIM AD	1	1	1					28.03.14		
11	12041126	PANEL FRONTAL INFER. 201 ADV	LOWER FRONT PANEL 201 ADV	1	1	1							
	12010065	REMACHE AVINOX Ø3.2X6MM	AVINOX Ø3.2X6MM RIVET	7	7	7							
12	12043998	PANEL PORTAMANDOS ACE 201	CONTROL PANEL ACE 201	1	-	-					01.10.13		
12	12095164	PANEL PORTAMANDOS AC 201	CONTROL PANEL AC 201	1	-	-					28.03.14	02.10.13	
12	12097893	MOD PORTAMANDO 201 ACE	CONTROL PANEL 201 ACE	1	-	-						28.03.14	
12	12041099	PANEL PORTAMANDOS AE 201	CONTROL PANEL AE 201	-	1	-					01.10.13		
12	12043844	PANEL PORTAMANDOS APE 201	CONTROL PANEL APE 201	-	1	-					28.03.14	01.10.13	
12	12043844	PANEL PORTAMANDOS APE 201	CONTROL PANEL APE 201	-	-	1					28.03.14		
12	12097708	MOD PORTAMAN. 201 ADV- PLUS	CONTROL PANEL 201 ADV- PLU	-	1	1						28.03.14	
13	12041157	PANEL EXT. IZQUIERDO 201 ADV	REAR LEFT PANEL 201 ADV	1	1	1							
	12010163	REMACHE EXAGONAL M.5	HEXAGONAL RIVET M.5	3	3	3							
	12010242	TORNIL. APLASTADO M5X13 A 304	FLAT SCREW M.5x13	4	4	4							

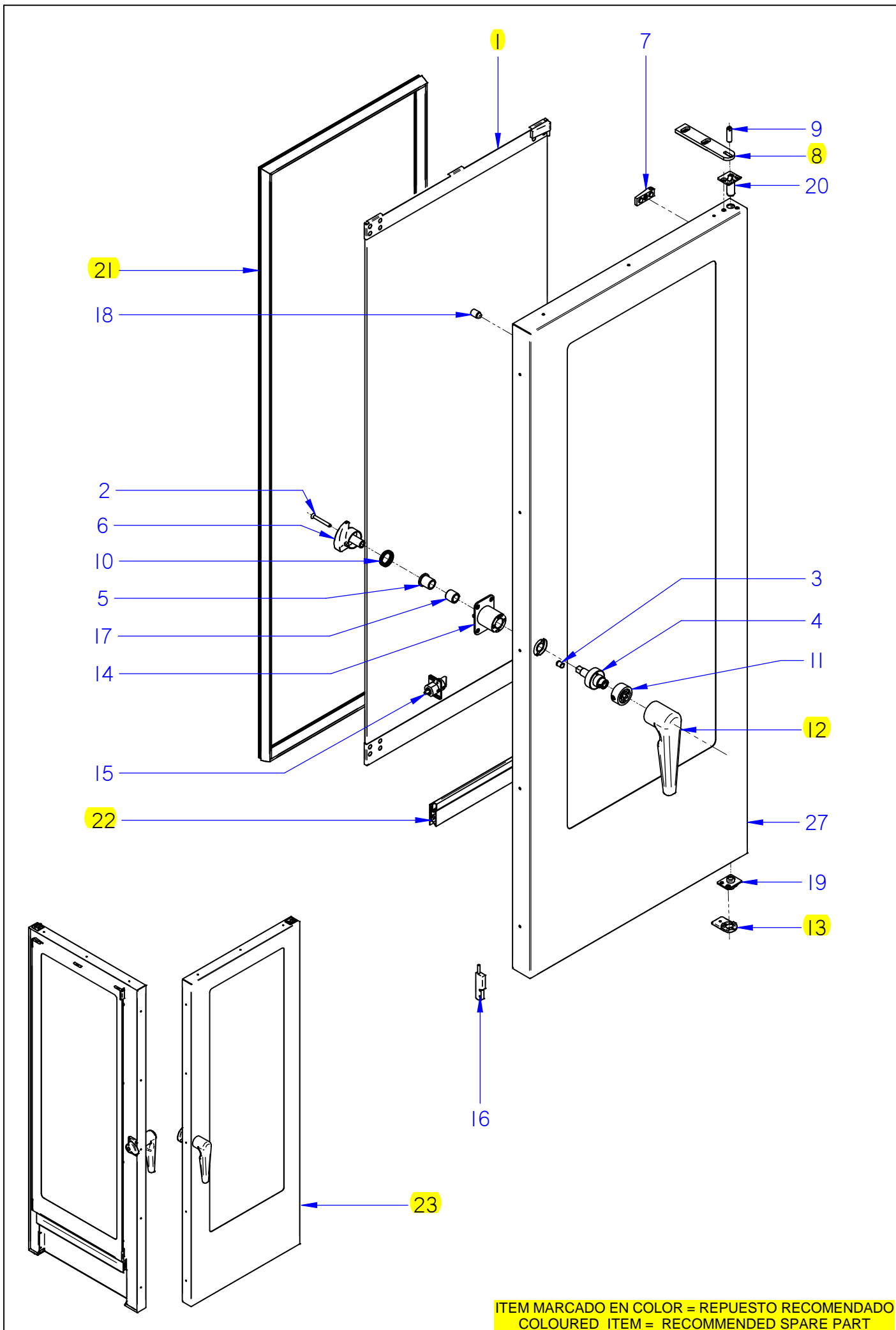


ITEM MARCADO EN COLOR = REPUESTO RECOMENDADO  
 COLOURED ITEM = RECOMMENDED SPARE PART

Nº plano / N° plane	Firma	Fecha / Date	Denominación / Denomination:	PUERTA / DOOR	Lamina / Sheet	Fagor Industrial S.Coop. <b>FAGOR</b>
C-3073	<i>[Signature]</i>	2012-09	HORNOS AG; ACG; APG-201		2	Oñate

MOD.		HORNOS / OVEN		ZONA / ZONE		PUERTA (HASTA 06-2014) / DOOR (UNTIL 06-2014)						PLANO DIAGRAM		C-3073	
ITEM	CODIGO REFERENCE	DENOMINACION	DENOMINATION	ACG-201	AG-201	APG-201						ELIMINADO ELIMINATED	INTRODUCID. INTRODUCED	NOTAS	
1	12041083	KIT CRISTAL INTER. 201	201 INNER GLASS KIT	1	1	1									
2	12039324	TAPA CIERRE PUERTA 202	DOOR CLOSING COVER 202	1	1	1						12,03,14			
	12010226	TORNILLO ALOMADO.M5X10	CURVED SCREW .M5X10	2	2	2						12,03,14			
	12010278	TORNILLO ALOMADO M4X10	CURVED SCREW M.4x10	2	2	2						12,03,14			
3	12024319	PESTILLO	INNER GLASS HINGE	2	2	2									
4	12039302	CONTRAPUERTA MANILLA 202	COMPLETE HANDLE DOOR 202	1	1	1						12,03,14			
5	12039326	SUPLEMENTO SUJ. CERRADURA	LOCK FIXING SUPPLEMENT	1	1	1						12,03,14			
6	12024389	GUIA MANILLA	HANDLE GUIDE	1	1	1						12,03,14			
	12023608	PITON ENGANCHE PUERTA	DOOR FASTENER SPIKE	2	2	2									
7	12024402	BASE DE BISAGRA	HINGE BASE	2	2	2									
	12010209	TORNILLO AVELLANADO M5X15	COUNTERSUNK SCREW M.5x15	2	2	2									
8	12039312	BISAGRA SUPERIOR	UPPER HINGE	1	1	1									
	12009882	ARANDELA ABANICO A6 A.304	FAN SHAPED WASHER A.6	3	3	3									
	12010106	TORNILLO ALLEN INOX. M6X35MM	ALLEN BOLT STAINLE.M6X35MM	3	3	3									
9	12023636	EJE SUPERIOR	UPPER SHAFT	1	1	1									
	12023631	ARANDELA AMARRE	DOOR ANCHORING WASHER	1	1	1									
	12023716	RESORTE 06329	SPRING 06329	1	1	1									
	12009882	ARANDELA ABANICO A6 A.304	FAN SHAPED WASHER A.6	1	1	1									
	12010186	TORNILLO EXAGONAL M6X15 A304	HEXAGONAL SCREW M6X15	1	1	1									
11	12024505	SOPORTE RESORTE	SPRING HOLDER	1	1	1						12,03,14			
	12024164	RESORTE 34548	SPRING	2	2	2									
	12010213	TORNILLO ALOMADO M5x15	CURVED SCREW M.5x15	2	2	2									
12	12044776	ASA COMPLETA 2/1 ADVANCE	HANDLE 2/1 ADVANCE	1	1	1						12,03,14			
	12010236	VARILLA ROSCADA M6X15	THREADED ROD M.6x15	1	1	1									
13	12039311	BASE BISAGRA INFERIOR PUERTA	LOWER DOOR HINGE BASE	1	1	1						02.09.13			
13	12047967	BASE BISAGRA INFERIOR 6 DIEN	LOWER HINGE BASE	1	1	1							02.09.13		
	12009944	ARANDELA A5	FLAT WASHER A.5	1	1	1									
14	12022049	SOPORTE IMAN	MAGNET HOLDER	1	1	1									
	12009970	REMACHE EXAGONAL M.5	HEXAGONAL RIVET M.5	1	1	1									
	12010213	TORNILLO ALOMADO M5X10	CURVED SCREW M5X10	1	1	1									



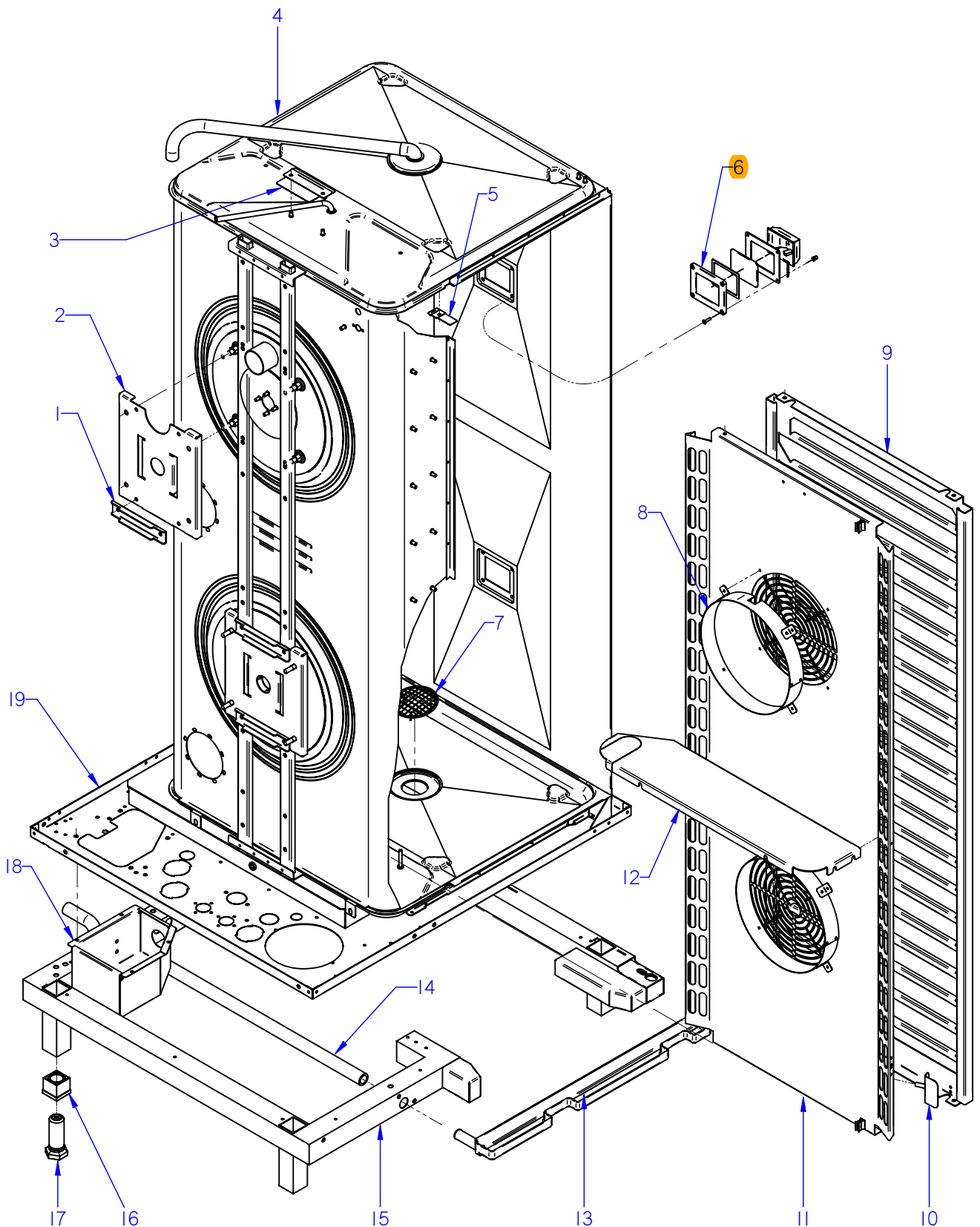


ITEM MARCADO EN COLOR = REPUESTO RECOMENDADO  
 COLOURED ITEM = RECOMMENDED SPARE PART

Nº plano / Drawing N.	Firma / Signature	Fecha / Date	Denominación / Denomination:	Lamina / Sheet	Fagor Industrial S.Coop. <b>FAGOR</b>
C-3073-14	Iban R.	2014-06	PUERTA / DOOR HORNOS AG; ACG; APG-201	2-14	Oñate





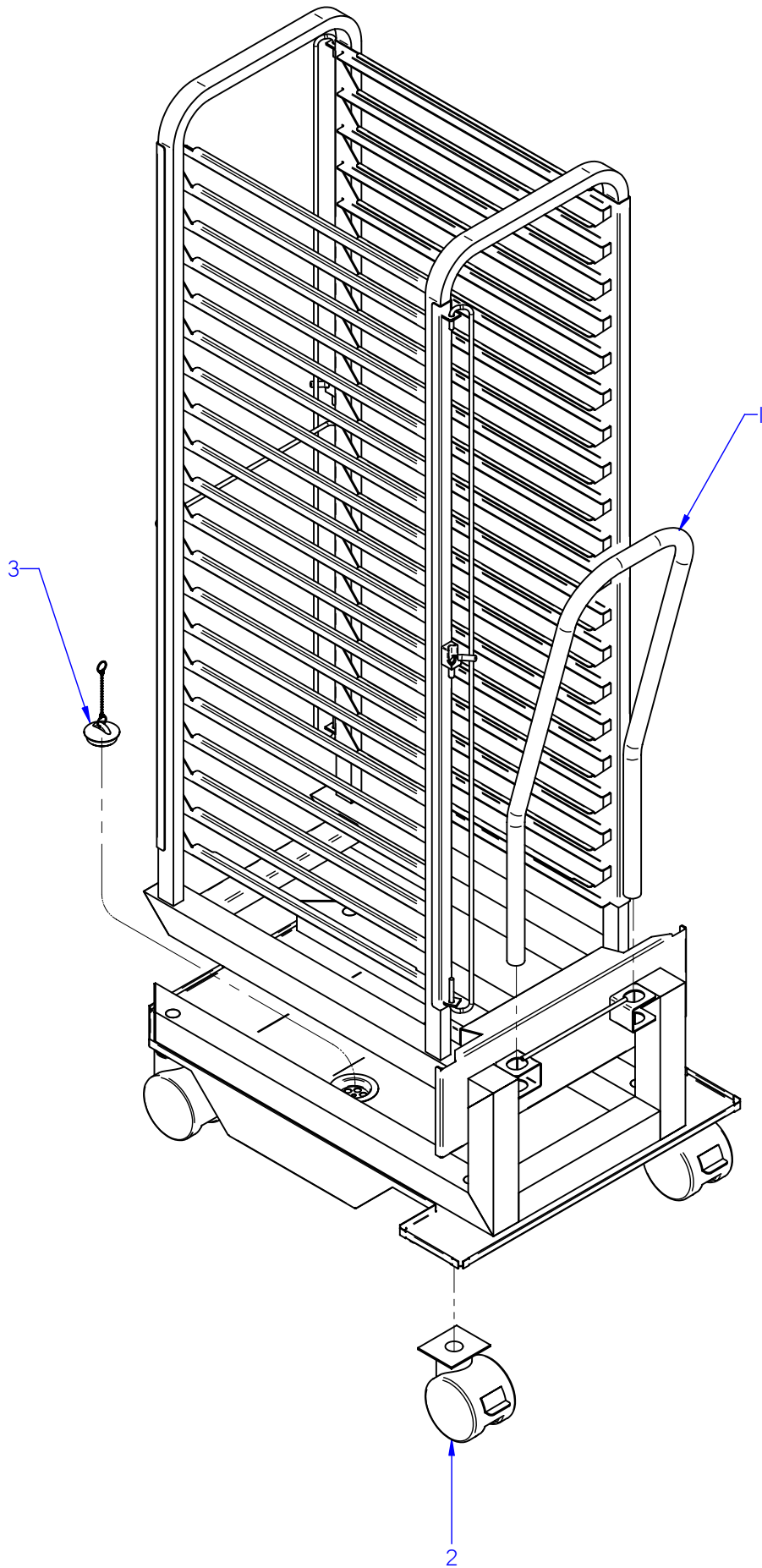


ITEM MARCADO EN COLOR = REPUESTO RECOMENDADO  
 COLOURED ITEM = RECOMMENDED SPARE PART

Nº plano / N° plane	Firma	Fecha / Date	Denominación / Denomination:	MUEBLE INTERIOR / INTERIOR OVEN	Lamina / Sheet	Fagor Industrial S.Coop. <b>FAGOR</b>
C-3074	<i>(Signature)</i>	2012-09	HORNOS AG; ACG; APG-201		3	Oñate

MOD.		HORNOS / OVEN	ZONA / ZONE	MUEBLE INTERIOR / INTERIOR OVEN							PLANO DIAGRAM	C-3074	
ITEM	CODIGO REFERENCE	DENOMINACION	DENOMINATION	ACG-201	AG-201	APG-201					ELIMINADO ELIMINATED	INTRODUCID. INTRODUCED	NOTAS
1	12039460	REFUERZO MOTOR	MOTOR REINFORCEMENT	3	3	3							
	12009944	ARANDELA A5	FLAT WASHER A.5	8	8	8							
	12009890	ARANDELA ABANICO A5 A.304	FAN SHAPED WASHER A.5	8	8	8							
	12010221	TORNILLO EXAGONAL M5X15	HEXAGONAL BOLT M5X15	8	8	8							
2	12039615	SOPORTE MOTOR	SOPORTE MOTOR	2	2	2							
S/Nº	12039333	PERFIL SOPORTE MOTOR 202	RAIL MOTOR 202	2	2	2							
	12010163	REMACHE EXAGONAL M.5	HEXAGONAL RIVET M.5	16	16	16							
	12010238	TORNILLO EXAGONAL M5x10	HEXAGONAL BOLT M5x10	8	8	8							
3	12039529	SOPORTE LIMITADOR CAMARA	LIMITER BRACKET CAMERA	1	1	1							
	12009868	ARANDELA PLANA INOX 6MM	WASHER FLAT 6 MM INOX.	2	2	2							
	12009882	ARANDELA ABANICO A6 A.304	FAN SHAPED WASHER A.6	2	2	2							
	12010255	TORNILLO EXAGONAL M6 INOX.	HEXAGONAL SCREW M6 INOX.	2	2	2							
4	12046450	CUERPO INT. COMPL. ACG201	INTERIOR FULL BODY ACG201	1	-	-					01,10,12		
4	12044444	CUERPO INT. COMPL. ACG201	INTERIOR FULL BODY ACG201	1	-	-						01,10,12	
4	12046593	CUERPO INT. COMPL. AG 201	INTERIOR FULL BODY AG 201	-	1	-					01,10,12		
4	12044435	CUERPO INT. COMPL. AG 201	INTERIOR FULL BODY AG 201	-	1	-						01,10,12	
4	12046597	CUERPO INT. COMPL. 201 APG	INTERIOR FULL BODY 201 APG	-	-	1					01,10,12		
4	12044396	CUERPO INT. COMPL. 201 APG	INTERIOR FULL BODY 201 APG	-	-	1						01,10,12	
	12010002	REMACHE EXAGONAL M.4 INOX	HEXAGONAL RIVET M.4 INOX	8	8	8							
	12010267	ARANDELA 16X6X1.2 A.304	FLAT WASHER 16X6X1.2 A.304	4	4	4							
	12009882	ARANDELA ABANICO A6 A.304	FAN SHAPED WASHER A.6	4	4	4							
	12010186	TORNILLO EXAGONAL M6X15 A304	HEXAGONAL SCREW M6X15	4	4	4							
S/Nº	12023935	PUNTA DIFUSORA LAVADO	WASHING DISPENSER POINT	-	-	1							
5	12041767	SOPORTE SONDA PINCHO CAMARA	CAMERA PROBE SUPP. PINCHO	1	1	1					14,02,13		
	12009890	ARANDELA ABANICO A5 A.304	FAN SHAPED WASHER A.5	1	1	1					14,02,13		
	12010284	TORNILLO EXAGONAL M5 INOX.	HEXAGONAL SCREW M5 INOX.	1	1	1					14,02,13		
	12010090	REMACHE AVINOX Ø4X7,5MM	AVINOX RIVET Ø4X7,5MM	1	1	1					14,02,13		
6	12024464	MARCO LAMPARA	LAMP ANCHORING PLATEN	2	2	2							
S/Nº	12023532	JUNTA INTERIOR LAMPARA	LAMP INNER JOINT	2	2	2							
S/Nº	12023668	CRISTAL LAMPARA	LAMP GLASS	2	2	2							
S/Nº	12023578	JUNTA EXTERIOR LAMPARA	LAMP OUTER JOINT	2	2	2							

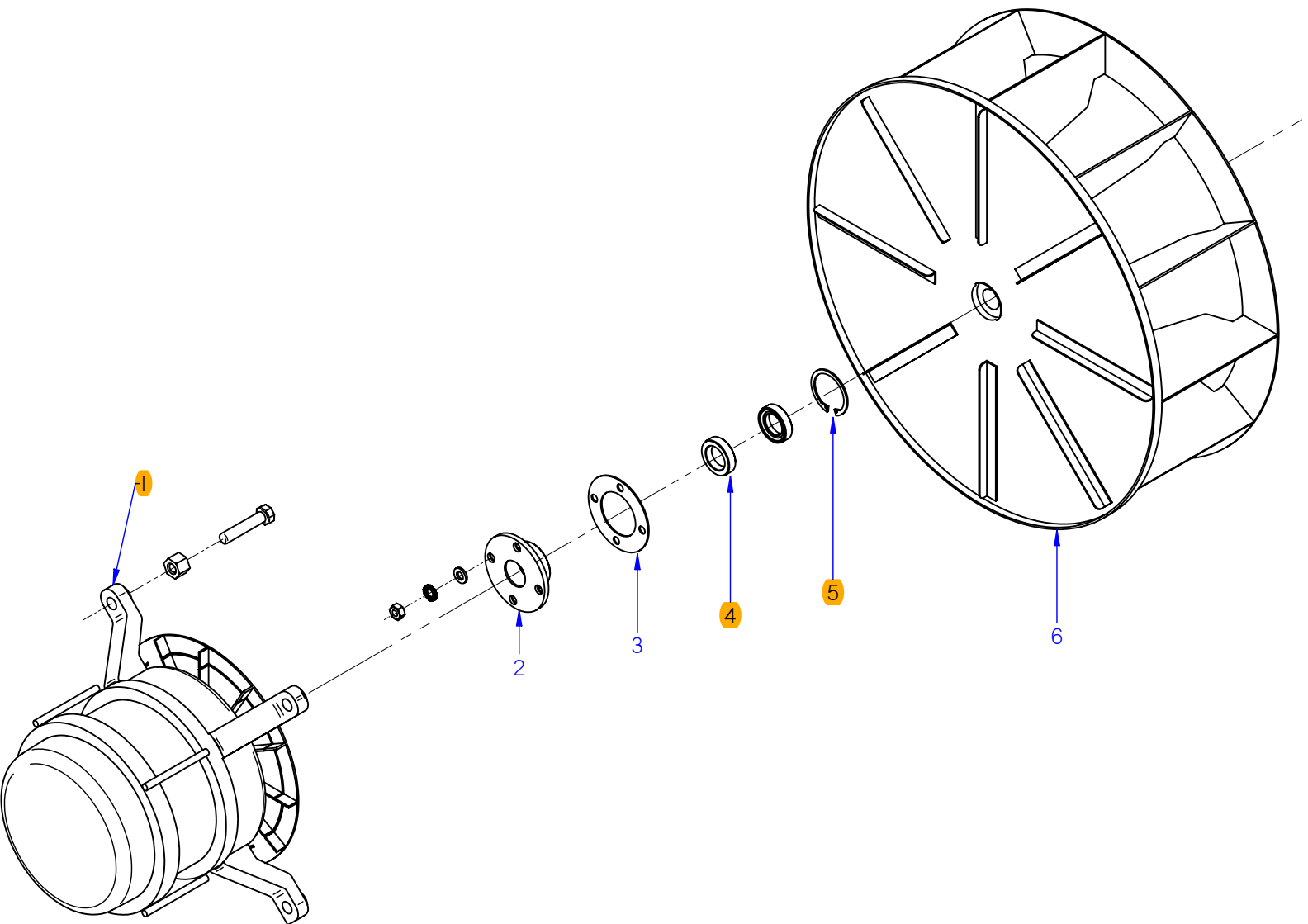
MOD.		HORNOS / OVEN		ZONA / ZONE		MUEBLE INTERIOR / INTERIOR OVEN						PLANO DIAGRAM		C-3074	
ITEM	CODIGO REFERENCE	DENOMINACION	DENOMINATION	ACG-201	AG-201	APG-201						ELIMINADO ELIMINATED	INTRODUCID. INTRODUCED	NOTAS	
S/Nº	12024545	PORTALAMPARAS	LAMP HOLDER	2	2	2									
S/Nº	12025123	LAMPARA 10W-12V	LIGHT 10W 12V	2	2	2									
	12010262	TORNILLO AVELLANADO M4X15	COUNTERSUNK SCREW M.4x15	8	8	8									
7	12020331	FILTRO DESAGÜE 201	DRAINAGE FILTER 201	1	1	1						15.09.13			
7	12095042	FILTRO DESAGÜE Ø53	DRAINAGE FILTER Ø53	1	1	1							15.09.13		
8	12039604	061 SUPL. CUBREVENTILADOR	061 SUPPL. FAN COVER	2	2	2									
S/Nº	12021993	FIJACIÓN SUPLEMENTO	FAN COVER SUPPLEMENT BINDI	8	8	8									
9	12044008	PORTABANDEJAS 201 ACE	ACE 201 HOLDER	2	-	-						01.03.13			
9	12044008	PORTABANDEJAS 201 ACE	ACE 201 HOLDER	1	-	-							01.03.13		
9	12049000	GUIA BANDEJA 201 SOLDADA	WELDED TRAY GUIDE 201	1	-	-							01.03.13		
S/Nº	12039606	RESORTE PORTABANDEJAS	SPRING HOLDER	4	-	-						01.03.13			
S/Nº	12039606	RESORTE PORTABANDEJAS	SPRING HOLDER	5	-	-							01.03.13		
S/Nº	12048408	SOPORTE CORE HOLDER	CORE HOLDER SUPPORT	1	-	-							01.03.13		
10	12045293	SOPORTE PINCHO 202	SUPP. PINCHO 202	1	1	1									
11	12041090	CUBREVENTILADOR 201 ADV	FAN COVER 201 ADV	1	1	1									
S/Nº	12039606	RESORTE PORTABANDEJAS	SPRING HOLDER	2	2	2						01.03.13			
S/Nº	12021991	ENGANCHE PORTABANDEJAS	HOOK HOLDER TRAYS	2	2	2							01.03.13		
12	12041119	CHAPA REFUERZO CUBA AE 201	CUBA REINFOR. PLATE AE 201	1	1	1									
	12009868	ARANDELA PLANA INOX 6MM	WASHER FLAT 6 MM INOX.	7	7	7									
	12010255	TORNILLO EXAGONAL M6 INOX.	HEXAGONAL SCREW M6 INOX.	7	7	7									
13	12039467	RECOGEAGUAS HORNO 201	SPRING WATER COLLE. 201	1	-	-									
14	12039498	TUBO RECOGEAGUAS 101	COLLECT WATER PIPE 101	1	-	-									
	12009628	ABRAZADERA ELAST. 26.7-28.1	SPRING CLAMP 26.7-28.1	2	-	-									
15	12043987	REFUERZO BASE COM. 201 ACE	FULL BASE REINFORC. 201 ACE	1	-	-									
15	12041105	REFUERZO BASE COM. 201 ADV	FULL BASE REINFORC. 201 ADV	-	1	1									
	12010163	REMACHE EXAGONAL M.5	HEXAGONAL RIVET M.5	16	16	16									
	12010090	REMACHE AVINOX Ø4X7,5 MM	AVINOX Ø4X7,5 MM RIVET	16	16	16									
16	12043392	TUERCA PATA 202 ADVANCE	NUT LEG 202 ADVANCE	4	4	4									
17	12043393	TORNILLO PATA 202 ADVANCE	SCREW LEG 202 ADVANCE	4	4	4									
18	12043894	CAJA CUBRE BOMBA ADV 202	PUMP CASE COVER ADV202	-	-	1									
19	12041104	BASE EXTERIOR 1201 ADV	EXTERI. BASE 201 ADV	1	1	1									



ITEM MARCADO EN COLOR = REPUESTO RECOMENDADO  
 COLOURED ITEM = RECOMMENDED SPARE PART

Nº plano / N° plane	Firma	Fecha / Date	Denominación / Denomination:	CARRO / TROLLEY	Lamina / Sheet	Fagor Industrial S.Coop. <b>FAGOR</b>
C-3075	<i>[Signature]</i>	2012-09	HORNOS AG; APG-201	4	Oñate	

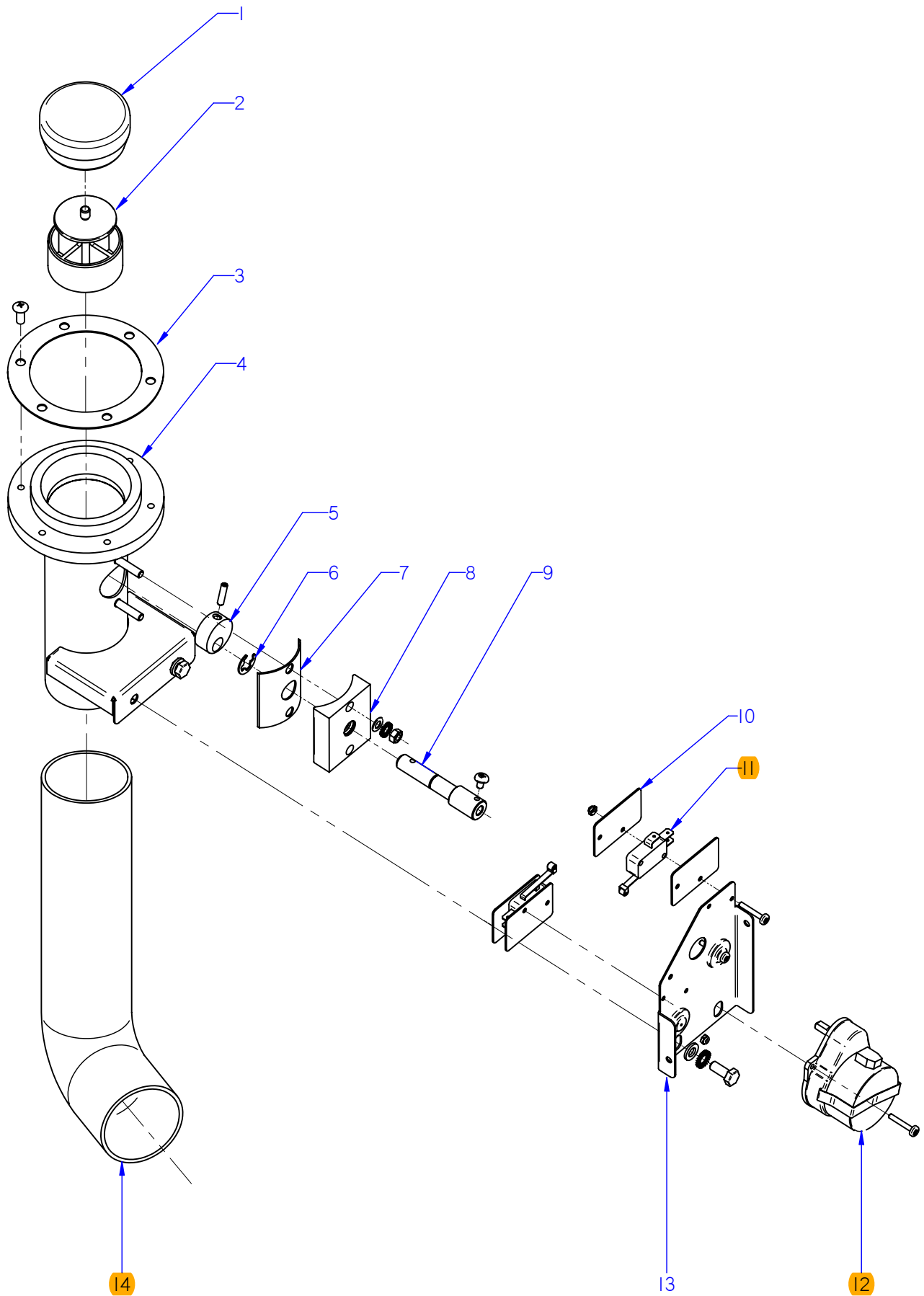




ITEM MARCADO EN COLOR = REPUESTO RECOMENDADO  
COLOURED ITEM = RECOMMENDED SPARE PART

Nº plano / N°s plane	Firma	Fecha / Date	Denominación / Denomination:	Lamina / Sheet	Fogor Industrial S. Coop.
C-3076	<i>(Firma)</i>	2012-09	HORNOS AG; ACG; APG-201	5	Onete
			TURBINA / TURBINE		<b>FAGOR</b>



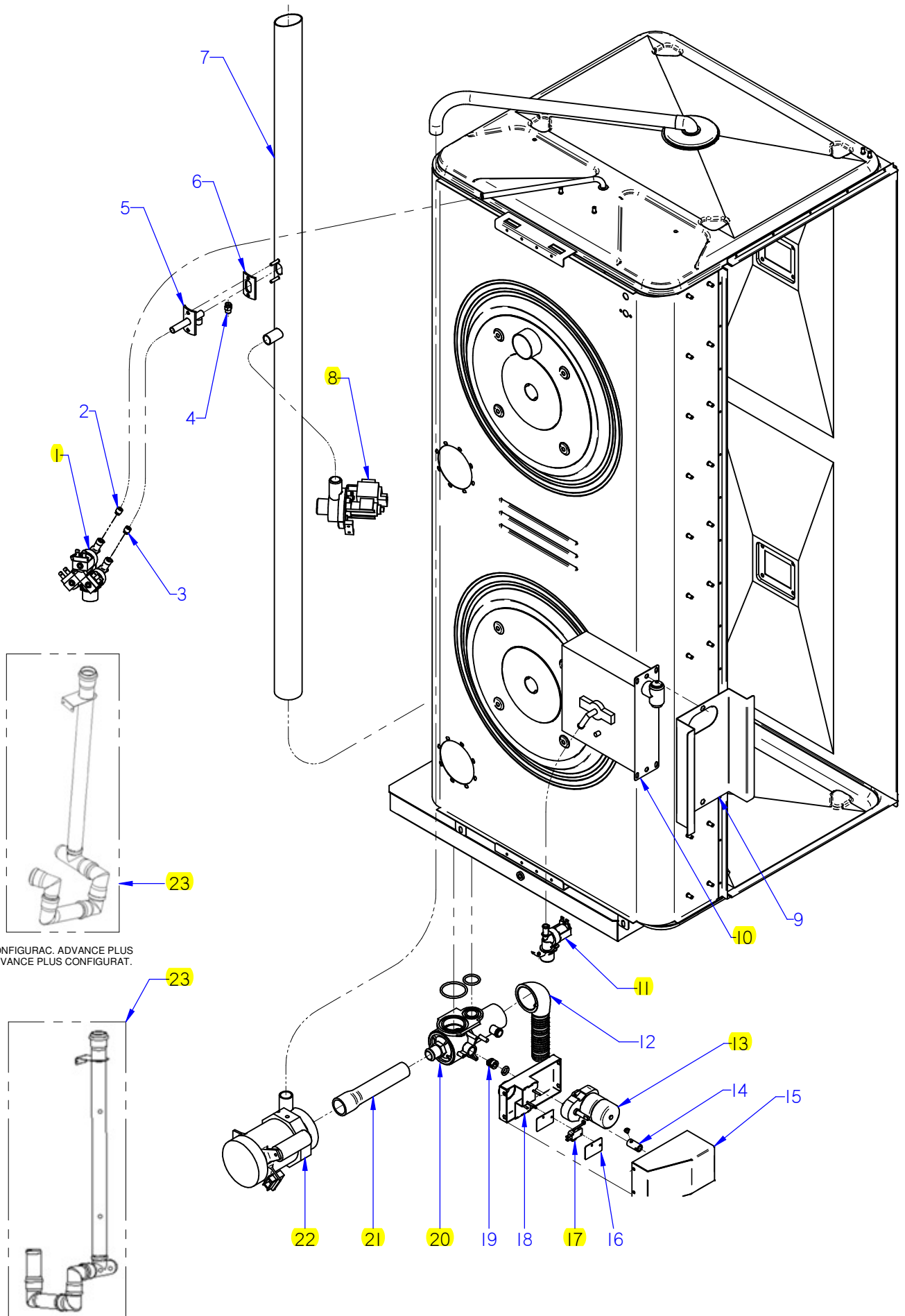


ITEM MARCADO EN COLOR = REPUESTO RECOMENDADO  
 COLOURED ITEM = RECOMMENDED SPARE PART

Nº plano / N° plane	Firma	Fecha / Date	Denominación / Denomination: CHIMENEA / FLUEPIPE	Lamina / Sheet	Fagor Industrial S.Coop. <b>FAGOR</b>
C-3077	<i>[Signature]</i>	2012-09	HORNOS AG; ACG; APG-201	6	Oñate



MOD.		HORNOS / OVEN		ZONA / ZONE		CHIMENEA / FLUEPIPE						PLANO DIAGRAM		C-3077	
ITEM	CODIGO REFERENCE	DENOMINACION	DENOMINATION	ACG-201	AG-201	APG-201						ELIMINADO ELIMINATED	INTRODUCID. INTRODUCED	NOTAS	
1	12024520	RETENCION DE VAPORES	CLOSE CHIMNEY	1	1	1									
2	12024500	GUIA RETENCION VAPORES	STEAM RETAINER GUIDE	1	1	1									
3	12023576	JUNTA BASE CHIMENEA	FLUEPIPE BASE SEAL	1	1	1									
S/Nº	12095516	JUNTA TORICA 5x1	O-RING 5x1	6	6	6							17.10.13		
	12010242	TORNIL. APLASTADO M5X13 A 304	FLAT SCREW M.5x13	6	6	6									
4	12022868	CONJUNTO CHIMENEA	COMPLETE CHIMNEY	1	1	1									
	12010126	REMACHE EXAGONAL M.6	HEXAGONAL RIVET M.6	2	2	2									
5	12024328	LEVA EJE CHIMENEA	FLUEPIPE SHAFT CAM	1	1	1									
	12010258	VARILLA ROSCADA M4X16	THREADED ROD M4X16	1	1	1									
6	12010014	ARANDELA DE SEGURIDAD Ø8	SAFETY WASHER Ø8	1	1	1									
7	12023497	JUNTA EJE CHIMENEA	FLUEPIPE SHAFT SEAL	1	1	1									
8	12024436	GUIA EJE CHIMENEA	FLUEPIPE SHAFT GUIDE	1	1	1									
S/Nº	12010274	JUNTA TORICA 9.19x2.62	O-RING 9.19x2.62	1	1	1							01.03.13		
	12009944	ARANDELA A5	FLAT WASHER A.5	2	2	2									
	12009890	ARANDELA ABANICO A5 A.304	FAN SHAPED WASHER A.5	2	2	2									
	12010284	TUERCA EXAGONAL M5	HEXAGONAL NUT M.5	2	2	2									
9	12024435	EJE CHIMENEA ELECTRICA	ELECTRIC FLUEPIPE SHAFT	1	1	1									
	12009876	TORNILLO ALOMADO M4X6 ZINC.	CURVED SCREW M4X6 ZINC.	1	1	1									
10	12009985	PLACA SEPARADORA	SPACER PLATE	4	4	4									
	12010247	TORNILLO ALOMADO M3X20	CURVED SCREW M3X20	4	4	4									
	12010289	TUERCA AUTOBLOCANTE M3	SELF-LOCKING NUT M3	4	4	4									
11	12025193	INTERRUPTOR PUERTA	DOOR SWITCH	2	2	2									
12	12024638	MOTOR CHIMENEA	FLUEPIPE MOTOR	1	1	1									
13	12022146	ESCUA. AMARRE MOTOR CHIMEN.	FLUEPIPE MOTOR FASTENING B	1	1	1									
	12009868	ARANDELA A6	WASHER A6	2	2	2									
	12009882	ARANDELA ABANICO A6 A.304	FAN SHAPED WASHER A.6	2	2	2									
	12010186	TORNILLO EXAGONAL M6X15 A304	HEXAGONAL SCREW M6X15	2	2	2									
14	12024122	TUBO FLEXIBLE Ø53X360	FLEXIBLE TUBE Ø53X360	1	1	1									
	12009962	ABRAZADERA 40*60	CLAMP 40*60	2	2	2									



CONFIGURAC. ADVANCE PLUS  
ADVANCE PLUS CONFIGURAT.

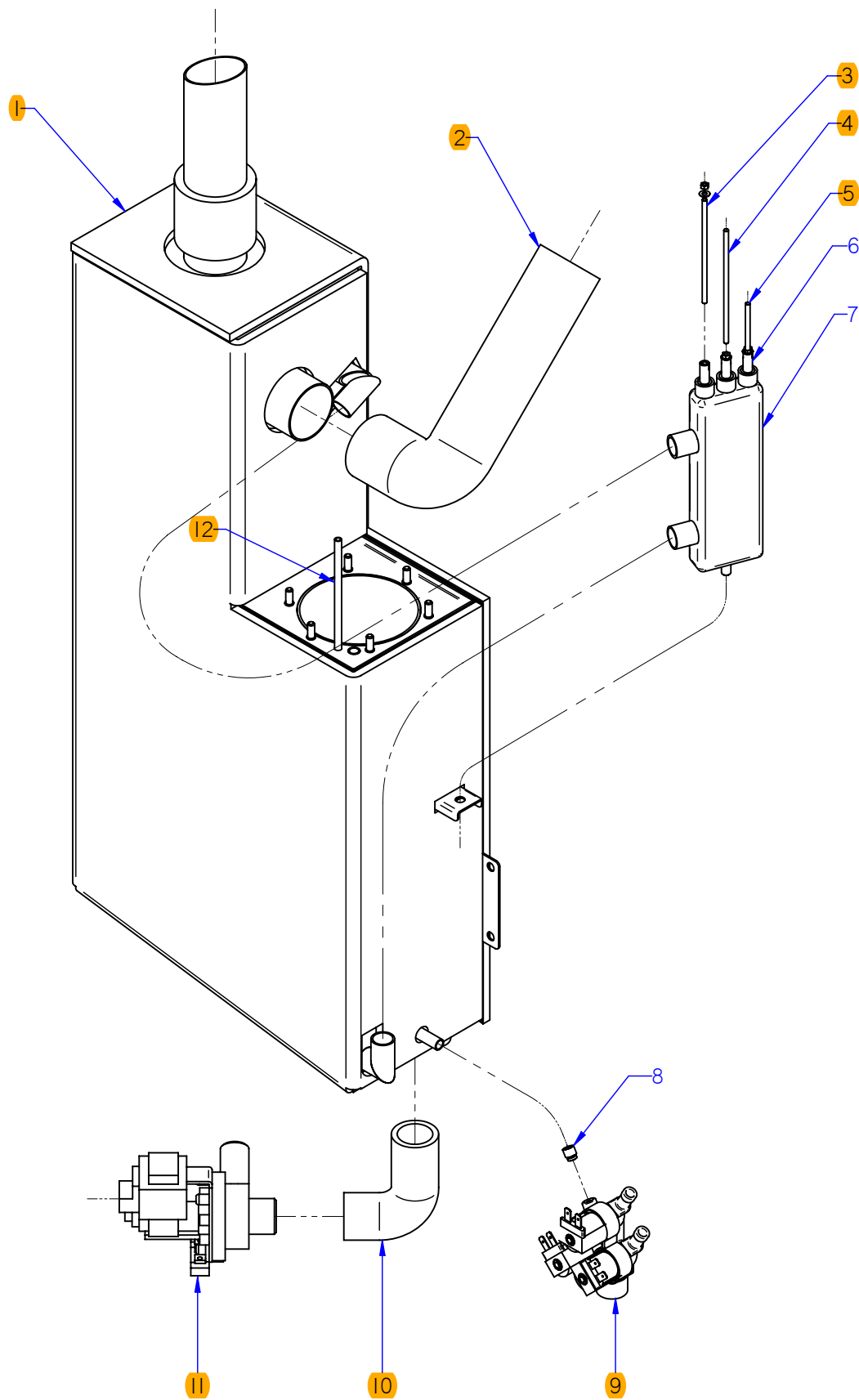
CONFIGURAC. ADVANCE / CONCEPT  
ADVANCE / CONCEPT CONFIGURAT.

ITEM MARCADO EN COLOR = REPUESTO RECOMENDADO  
COLOURED ITEM = RECOMMENDED SPARE PART

Nº plano / N° plane	Firma	Fecha / Date	Denominación / Denomination:	CONDUCCIONES DE AGUA / WATER PIPES	Lamina / Sheet	Fagor Industrial S.Coop. <b>FAGOR</b>
C-3078	<i>(Signature)</i>	2012-09	HORNOS AG; ACG; APG-201		7	Oñate

MOD.		HORNOS / OVEN	ZONA / ZONE	CONDUCCIONES DE AGUA / WATER PIPES							PLANO DIAGRAM	C-3078	
ITEM	CODIGO REFERENCE	DENOMINACION	DENOMINATION	ACG-201	AG-201	APG-201					ELIMINADO ELIMINATED	INTRODUCID. INTRODUCED	NOTAS
1	12025161	ELECTRO. 230VAC 50/60Hz 1VIA	SOLENOID VALVE 230VAC 1 V	1	-	-							
1	12023921	ELECTR. 230V AC 50/60Hz 3 VIAS A	SOLENOID 230V AC 50/60Hz 3 V	-	1	1							
2	12008692	REGULADOR 0,5L. NARANJA	REGULATOR 0,5L. NARANJA	1	-	-					01.12.13		
2	12096624	REGULADOR 0,5 L ROJO	REGULATOR 0,5 L	1	-	-						01.12.13	
2	12024509	REGULADOR 0,25L. VERDE	REGULATOR 0.25 L. GREEN	-	1	1							
3	12025263	REGULADOR 1L AMARILLO 255.005	CONTROLLER YELL. 1L 255,005	-	1	1					01.12.13		
3	12096625	REGULADOR 1 L MARFIL	CONTROLLER 1L IVORY	-	1	1						01.12.13	
4	12024000	TOBERA 1/8	NOZZLE 1/8	-	1	1					31.03.13		
4	12049131	BOQUILLA 1/8M-B-1-3	INJECTOR 1/8M-B-1-3	-	1	1						31.03.13	
5	12046239	AMARRE CONDUCC. VAHOS GAS	MOORING DRIVE GAS STEAM	1	-	-							
5	12039468	CONDUCC. VAHOS COMPLETO	COMPLETE VAPOUR DUCT	-	1	1							
6	12023605	JUNTA TUBO INYECTOR	INJECTOR PIPE SEAL	1	1	1							
7	12043995	CHIMENEA COMPLETA 201 ACE	COMPL. FLUEPIPE 201 ACE	1	-	-							
7	12041127	CHIMENEA COMPLETA 201 ADV	COMPLET FLUEPIPE 201 ADV	-	1	1							
S/Nº	12024463	CONDENSADOR ELEC. 250V VDE	CONDENSER ELEC. 250V VDE	1	1	1							
S/Nº	11000003	TUBO SILICONA ALTA Tª Ø53x61	HIGH SILICON PIPE Tº Ø53x61	1	1	1					01.01.13		
S/Nº	12047901	EMPALME SILICONA Ø53	SILICONE JOINT Ø53	1	1	1						01.01.13	
	12007943	ABRAZADERA ELASTICA 62*66	ELAST. CLAMP 62*66	2	2	2							
8	12039546	MOTOBOMBA 230V AC 1N 50/60Hz	PUMP 230V AC 50/60Hz 30W 1N	-	1	1							
	12009944	ARANDELA A5	FLAT WASHER A.5	-	2	2							
	12009890	ARANDELA ABANICO A5 A.304	FAN SHAPED WASHER A.5	-	2	2							
	12010221	TORNILLO EXAGONAL M5X15	HEXAGONAL BOLT M5X15	-	2	2							
	12010126	REMACHE EXAGONAL M.6	HEXAGONAL RIVET M.6	-	2	2							
9	12039369	SOPORTE DUCHA 202	SHOWER 202 STAND	-	1	1					28.03.14		
10	12024800	DUCHA	SHOWER	-	1	1							
	12010267	ARANDELA 16X6X1.2 A.304	FLAT WASHER 16X6X1.2 A.304	-	2	2							
	12009882	ARANDELA ABANICO A6 A.304	FAN SHAPED WASHER A.6	-	2	2							
	12010186	TORNILLO EXAGONAL M6X15 A304	HEXAGONAL SCREW M6X15	-	2	2							
11	12025161	ELECTROVALV. 230VAC 50/60Hz 1V	SOLENOID VALVE 230VAC 1 V	-	1	1							
12	12024473	MANGUERA DESAGUE	DRAIN HOSE	-	-	1					02.12.12		
13	12024754	MOTORREDUCTOR 230V AC 1N	MOTOREDUCER 230V AC 1N	-	-	1							

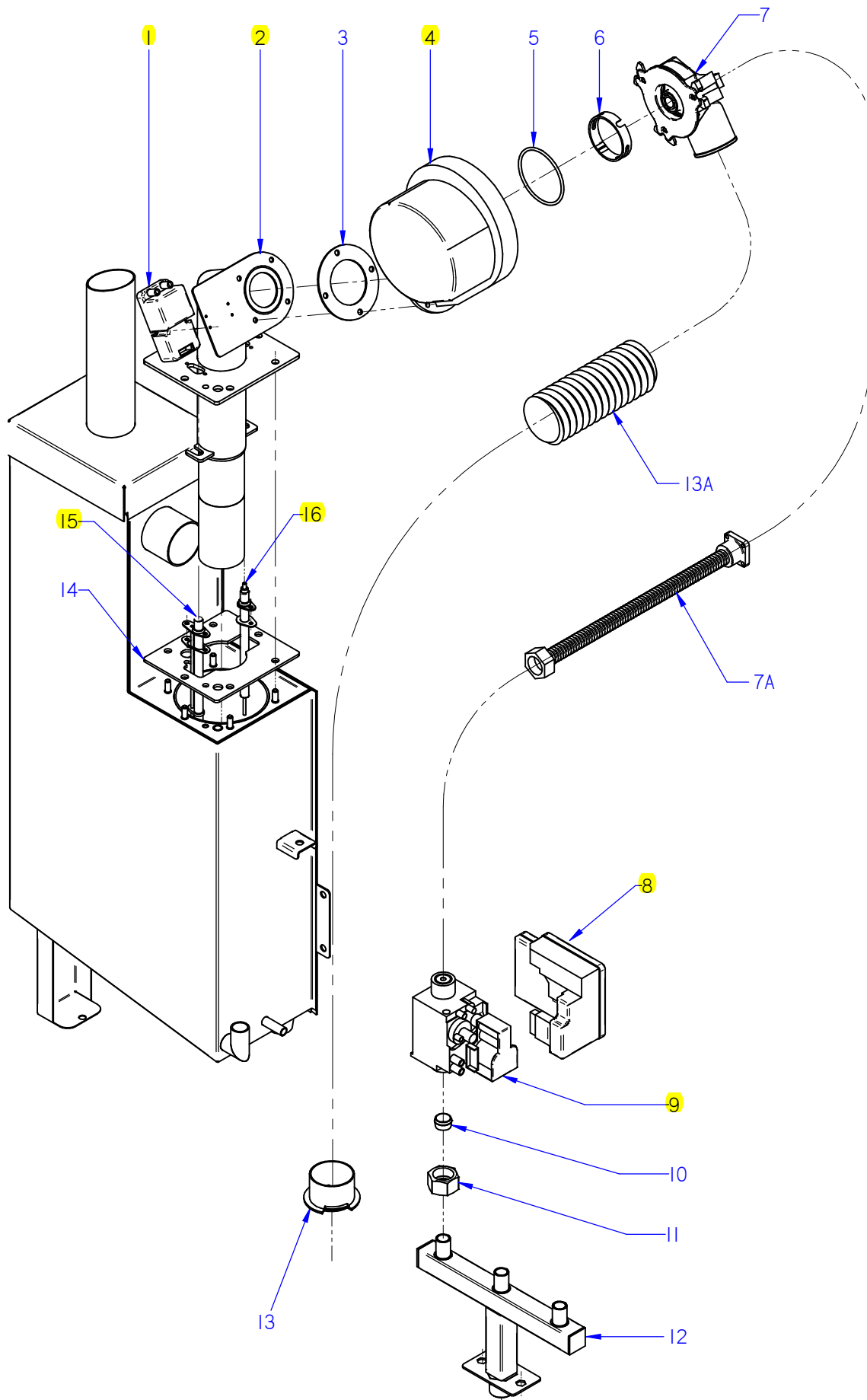
MOD.		HORNOS / OVEN		ZONA / ZONE		CONDUCCIONES DE AGUA / WATER PIPES						PLANO DIAGRAM		C-3078	
ITEM	CODIGO REFERENCE	DENOMINACION	DENOMINATION	ACG-201	AG-201	APG-201						ELIMINADO ELIMINATED	INTRODUCID. INTRODUCED	NOTAS	
14	12023906	CASQUILLO MOTOR MICRO	MICRO MOTOR BUSHING			1									
	12009876	TORNILLO ALOMADO M4X6 H.ZIN.	CURVED SCREW M4X6 H.ZIN.			2									
	12010262	TORNILLO AVELLANADO M4X15	COUNTERSUNK SCREW M.4x15			2									
15	12003203	TAPA SISTEMA LAVADO	TOP WASH SYSTEM			1									
	12010242	TORNIL. APLASTADO M5X13 A 304	FLAT SCREW M.5x13			4									
16	12009985	PLACA SEPARADORA	SPACER PLATE			4									
	12010247	TORNILLO ALOMADO M3X20	CURVED SCREW M3X20			7									
	12010289	TUERCA AUTOBLOCANTE M3	SELF-LOCKING NUT M3			7									
17	12025193	INTERRUPTOR PUERTA	DOOR SWITCH			2									
18	12003183	SOPORTE MICROS LAVADO	MICROS WASH STAND			1									
	12010163	REMACHE EXAGONAL M.5	HEXAGONAL RIVET M.5			4									
19	12023796	PUNTA ACOPLE MOTOR A VALVUL	CONN. POINT MOTOR TO VALVE			1									
	12019645	JUNTA TORICA Ø10x3.5	O-RING Ø10X3.5			1									
S/Nº	12010273	MANG. SUJEC. 4X14 DIN1481	CLAMPING SLEEVE 4x14 DIN 148			1									
20	12024796	CUERPO VALVULA COMPLETO	COMPLETE VALVE BODY			1									
	12010081	JUNTA TORICA Ø52X3,5	O-RING Ø52X3.5			1									
	12010131	JUNTA TORICA Ø33x3,5	O-RING Ø33x3.5			1									
	12024532	JUNTA TEFLON VALVULA	TEFLON VALVE BOARD			2									
	12009181	JUNTA TEFLON VALVULA	TEFLON VALVE BOARD			2									
21	12024407	GOMA VALVULA BOMBA GAS	PUMP VALVE RUBBER			1									
	12010023	ABRAZADERA 20-32	CLAMP 20-32			1									
	12009997	ABRAZADERA 25-40	CLAMP 25-40			1									
22	12024782	MOTOBOMBA 230V AC 1N 50Hz	MOTOR 230V AC 1N 50Hz 74,6			1									
	12009868	ARANDELA PLANA INOX 6MM	WASHER FLAT 6 MM INOX.			2									
	12009882	ARANDELA ABANICO A6 A.304	FAN SHAPED WASHER A.6			2									
	12010186	TORNILLO EXAGONAL M6X15 A304	HEXAGONAL SCREW M6X15			2									
S/Nº	<b>12093684</b>	<b>KIT VALVULA DESAGUE ADVAN.</b>	<b>VALVE DRAIN ADVANCE KIT</b>			1							<b>12.07.13</b>		
S/Nº	12025198	MANGUERA ENTRADA AGUA	WATER INLET HOSE	1	1	1									
23	12047404	MOD CONJUNTO DESAGUE ADV	ADV DRAIN SET MODEL	1	1	1							03,12,12		



ITEM MARCADO EN COLOR = REPUESTO RECOMENDADO  
 COLOURED ITEM = RECOMMENDED SPARE PART

Nº plano / N° plane	Firma	Fecha / Date	Denominación / Denomination: CIRCUITO DE VAPOR / STEAM CIRCUIT	Lamina / Sheet	Fagor Industrial S.Coop. <b>FAGOR</b>
C-3079	<i>[Signature]</i>	2012-09	HORNOS AG; APG-201	8	Oñate

MOD.		HORNOS / OVEN		ZONA / ZONE		CIRCUITO DE VAPOR / STEAM CIRCUIT						PLANO DIAGRAM		C-3079	
ITEM	CODIGO REFERENCE	DENOMINACION	DENOMINATION	AG-201	APG-201							ELIMINADO ELIMINATED	INTRODUCID. INTRODUCED	NOTAS	
1	12046107	KIT GENERADOR VAPOR 201	STEAM GENERATOR 201 KIT	1	1										
2	12041855	TUBO FLEXIBLE Ø53X360 VARILLA	FLEXIBLE TUBE Ø53X360	1	1							01.01.13			
2	12047890	EMPALME GENERADOR AG 201	GENERATOR JOINT AG 201	1	1								01.01.13		
S/Nº	12047901	EMPALME SILICONA Ø53	SILICONE JOINT Ø53	2	2								01.01.13		
	12009962	ABRAZADERA 40-60	CLAMP 40-60	2	2										
3	12023573	ELECTRODO ALTO	HIGH LEVEL ELECTRODE	1	1										
4	12023574	ELECTRODO BAJO	LOW LEVEL ELECTRODE	1	1										
5	12023575	ELECTRODO DE MASA	EARTH ELECTRODE	1	1										
	12009987	ARANDELA A4	FLAT WASHER A4	3	3										
	12009839	TUERCA EXAGONAL M4	HEXAGONAL NUT M.4º	3	3										
6	12024460	GUIA AISLANTE	INSULATION GUIDE	3	3										
7	12024419	BOTE DE NIVELES	LEVELS VESSEL	1	1							02.06.14			
7	12113061	BOTE DE NIVELES	LEVELS VESSEL	1	1								02.06.14		
	12010044	TUERCA EXAGONAL M8 PLASTIC	HEXAGONAL NUT M8 PLASTIC	1	1										
S/Nº	11000157	TUBO SILICONA Tº Ø 26*18	HIGH SILICON PIPE Tº Ø 26*18	2	2										
	12009628	ABRAZADERA ELASTICA 26,7*28,1	ELAST. CLAMP 26,7*28,1	4	4										
8	12024045	REGULADOR 8L 54.034 ROJO	REGULATOR 8L RED 54.034	1	1							10.11.13			
8	12096626	REGULADOR 8 L AZUL	BLUE REGULATOR 8L	1	1								10.11.13		
9	12023921	ELECTR. 230V AC 50/60Hz 3 VIAS A	SOLENOID 230V AC 50/60Hz 3 V	1	1										
S/Nº	11000083	T. GOMA NEGRA Ø17*10	BLACK RUBBER PIPE Ø17*10	1	1										
	12010036	ABRAZADERA 12*20	CLAMP 12-20	2	2										
10	12039649	TUBO DESAGUE GENERADOR	DRAIN TUBE GENERATOR	1	1										
	12009997	ABRAZADERA 25-40	CLAMP 25-40	2	2										
11	12039546	MOTOBOMBA 230V AC 1N 50/60Hz	PUMP 230V AC 50/60Hz 30W 1N	1	1										
12	12023901	CONJUN. TERMOPAR VAPOR	STEAM THERMOCOUPLE UNIT	1	1										



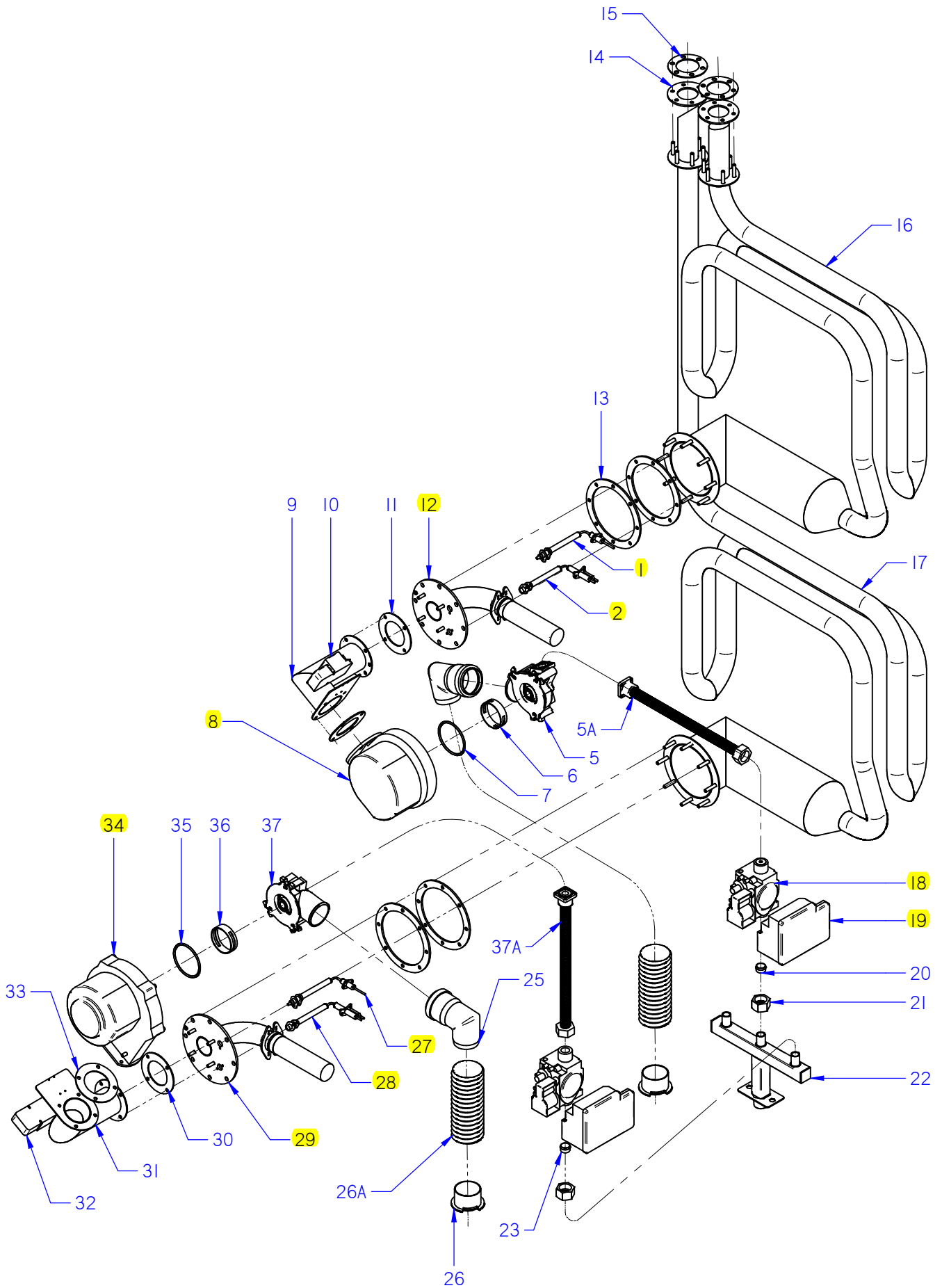
ITEM MARCADO EN COLOR = REPUESTO RECOMENDADO  
 COLOURED ITEM = RECOMMENDED SPARE PART

Nº plano / N° plane	Firma / Signature	Fecha / Date	Denominación / Denomination: FUNC. GAS GENERADOR / FUNCT. GAS GENERATOR	Lamina / Sheet	Fagor Industrial S.Coop. <b>FAGOR</b>
C-3080	Iban R.	2014-09	HORNOS AG; APG-201	9	Oñate

MOD.		HORNOS / OVEN		ZONA / ZONE		FUNCIONAL GAS GENERADOR FUNCTIONAL GAS GENERATOR						PLANO DIAGRAM		C-3080	
ITEM	CODIGO REFERENCE	DENOMINACION	DENOMINATION	AG-201	APG-201							ELIMINADO ELIMINATED	INTRODUCID. INTRODUCED	NOTAS	
1	12039544	CHISPA BRAHMA	BRAHMA SPARK	1	1										
	12009971	TORNILLO ALOMADO M3X30 H.ZIN	CURVED SCREW M3X30 H.ZINC	2	2										
	12010289	TUERCA AUTOBLOCANTE M3	SELF-LOCKING NUT M3	2	2										
2	12044424	QUEMADOR GENERADOR 201G	BURNER GENERATOR 201G	1	1										
3	12045252	JUNTA ACOP.SOPLANTE GRAFITO	JOINT COU. GRAPHITE BLOWER	1	1										
	12009944	ARANDELA A5	FLAT WASHER A.5	4	4										
	12009890	ARANDELA ABANICO A5 A.304	FAN SHAPED WASHER A.5	4	4										
	12010284	TORNILLO EXAGONAL M5 INOX.	HEXAGONAL SCREW M5 INOX.	4	4										
	12010221	TORNILLO EXAGONAL M5X15 INOX	HEXAGONAL SCREW M5X15 INC	4	4										
4	12044607	SOPLANTE NRG 118 55kw	BLOWER NRG 118 55kw	1	1										
5	12009940	JUNTA TORICA114x3	O-RING 114x3	1	1										
6	12044292	ARO VENTURI VERDE	GREEN RING VENTURI	1	1										
7	12039540	MIXER COMPLETO	MIXER COMPLETE	1	1										
	12009868	ARANDELA PLANA INOX 6MM	WASHER FLAT 6 MM INOX.	3	3										
	12010084	TORNILLO ALLEN INOX M6X40MM	SCREW ALLEN INOX M6X40MM	3	3										
S/Nº	12041612	JUNTA TORICA 63X3	O-RING 63X3	1	1										
7A	12040731	TUBO GAS FLEXIBLE 900-90º	FLEXIBLE GAS PIPE 900-90º	1	1										
8	12039440	CAJA CONTROL DBC 579	DBC CONTROL BOX 579	1	1										
9	12046364	VALVULA REGUL 50HZ ADV	ADV 50HZ VALVE CONTROLL.	1	1										
9	12046365	VALVULA REGUL 60HZ ADV	ADV 60HZ VALVE CONTROLL.	1	1										
10	12045672	TOBERA Ø 5,4 BP	NOZZLE Ø 5,4 BP	1	1										
10		GN (SIN INYECTOR)	(WITHOUT INJECTOR)GN	1	1										
11	12008085	TUERCA 3/4	NUT 3/4	1	1							18.02.13			
11	12048850	TUERCA G 3/4	NUT G 3/4	1	1								18.02.13		
12	12041051	ENTRADA GAS CO. ADV 202 SUB	ADV GAS INLET ADV 202 SUB	1	1										
	12009944	ARANDELA A5	FLAT WASHER A.5	2	2										
	12009890	ARANDELA ABANICO A5 A.304	FAN SHAPED WASHER A.5	2	2										
	12010221	TORNILLO EXAGONAL M5X15 INOX	HEXAGONAL SCREW M5X15 INC	2	2										
S/Nº	12008775	BICONO Ø16	BICONE Ø16	1	1										
13	12039679	AMARRE TUBOS AIRE	MOORING PIPES AIR	1	1										
13A	11000232	TUBO AIRE VULCANO PUZ 50	AIR TUBE VULCANO PUZ 50	1	1										







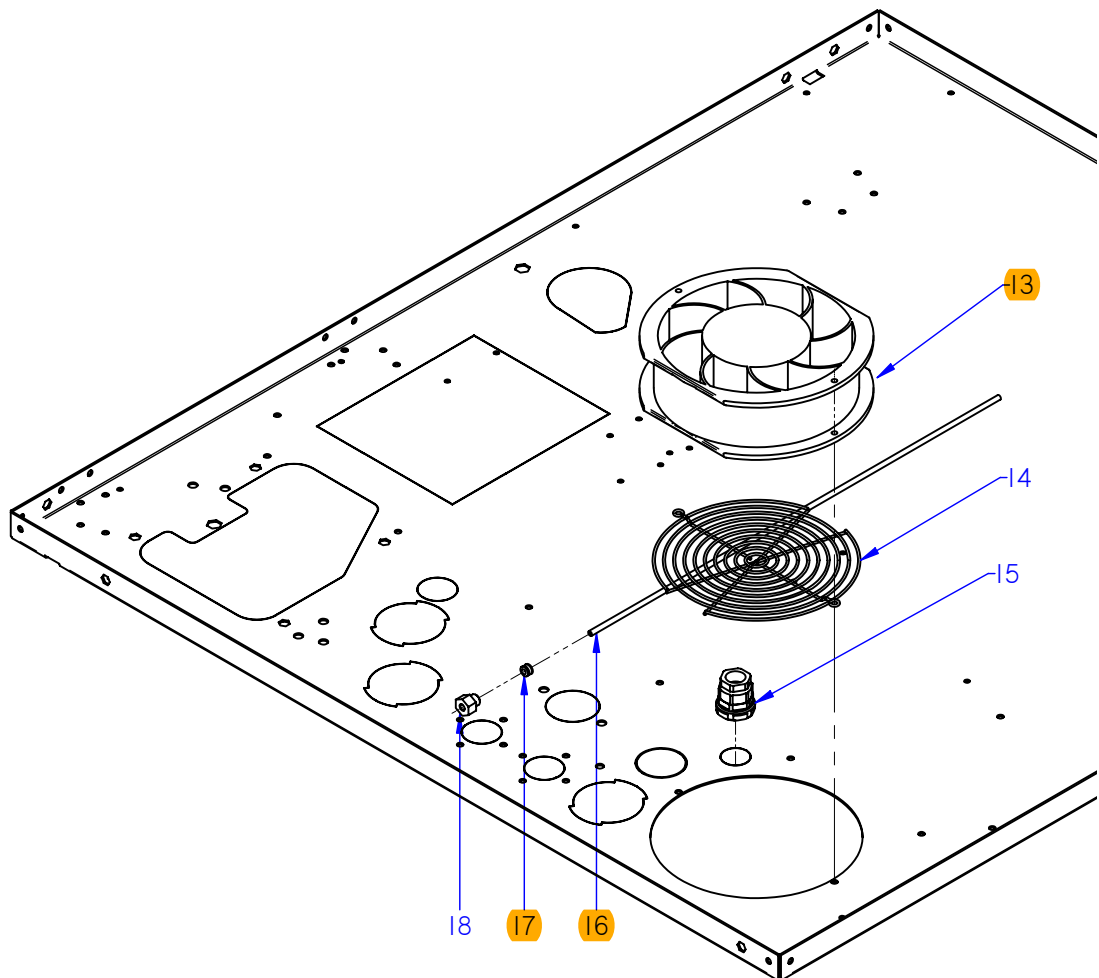
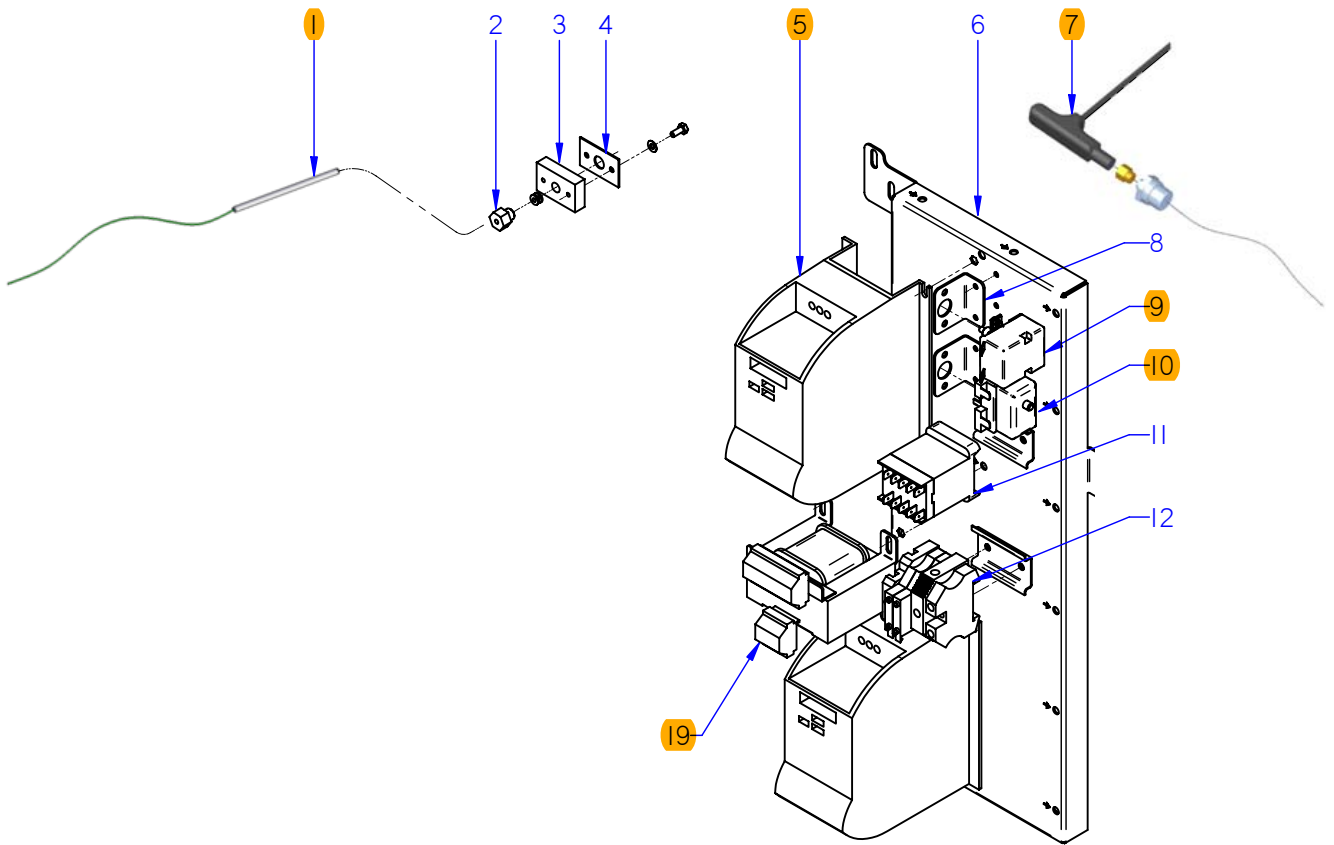
ITEM MARCADO EN COLOR = REPUESTO RECOMENDADO  
 COLOURED ITEM = RECOMMENDED SPARE PART

Nº plano / N° plane	Firma	Fecha / Date	Denominación / Denomination: FUNC. GAS CONVECCION / FUNCT. GAS CONVECTION	Lamina / Sheet	Fagor Industrial S.Coop. <b>FAGOR</b>
C-3081	Iban R.	2014-09	HORNOS AG; ACG; APG-201	10	Oñate

MOD.		HORNOS / OVEN		ZONA / ZONE		FUNCIONAL GAS CONVECCION FUNCTIONAL GAS CONVECTION						PLANO DIAGRAM		C-3081
ITEM	CODIGO REFERENCE	DENOMINACION	DENOMINATION	ACG-201	AG-201	APG-201						ELIMINADO ELIMINATED	INTRODUCID. INTRODUCED	NOTAS
1	12039685	DETECTOR CONVECCION 061	CONVECTION DETECTOR 061	1	1	1								
S/Nº	12039450	JUNTA BUJIA CONVECCION 102	PLUG BOARD CONVECTION 102	1	1	1								
	12045140	TORNILLO M4X10 LATON	SCREW M4 BRASS	2	2	2								
	12010244	TUERCA EXAGONAL M4 LATON	HEXAGONAL NUT M4 BRASS	2	2	2								
2	12039684	BUJIA CONVECCION 061	SPARK CONVECTION 061	1	1	1								
S/Nº	12039449	102 JUNTA BUJIA CONVECCION	102 SPARK CONVECTI. BOARD	1	1	1								
	12045140	TORNILLO M4X10 LATON	SCREW M4 BRASS	2	2	2								
	12010244	TUERCA EXAGONAL M4 LATON	HEXAGONAL NUT M4 BRASS	2	2	2								
3	12044447	TUBO DESAGUE ADV 01	DRAIN PIPE ADV 01	1	1	1								
4	12045252	JUNTA ACOP.SOPLANTE GRAFITO	JOINT COU. GRAPHITE BLOWER	1	1	1								
	12009944	ARANDELA A5	FLAT WASHER A.5	4	4	4								
	12009890	ARANDELA ABANICO A5 A.304	FAN SHAPED WASHER A.5	4	4	4								
	12010284	TORNILLO EXAGONAL M5 INOX.	HEXAGONAL SCREW M5 INOX.	4	4	4								
5	12039540	MIXER COMPLETO	MIXER COMPLETE	1	1	1								
	12009868	ARANDELA PLANA INOX 6MM	WASHER FLAT 6 MM INOX.	3	3	3								
	12010084	TORNILLO ALLEN INOX M6X40MM	SCREW ALLEN INOX M6X40MM	3	3	3								
S/Nº	12041612	JUNTA TORICA 63X3	O-RING 63X3	1	1	1								
5A	12040731	TUBO GAS FLEXIBLE 900-90º	FLEXIBLE GAS PIPE 900-90º	1	1	1								
6	12039541	ARO VENTURI ROJO	RED RING VENTURI	1	1	1								
7	12009940	JUNTA TORICA114x3	O-RING 114x3	1	1	1								
8	12044607	SOPLANTE NRG 118 55kw	BLOWER NRG 118 55kw	1	1	1								
9	12039560	CAMARA SILENCIADOR 101	CHAMBER MUFFLER 101	1	1	1								
	12010221	TORNILLO EXAGONAL M5X15 INOX	HEXAGONAL SCREW M5X15 INC	4	4	4								
10	12039544	CHISPA BRAHMA	BRAHMA SPARK	1	1	1								
	12009971	TORNILLO ALOMADO M3X30 H.ZIN	CURVED SCREW M3X30 H.ZINC	2	2	2								
	12010289	TUERCA AUTOBLOCANTE M3	SELF-LOCKING NUT M3	2	2	2								
11	12045252	JUNTA ACOP.SOPLANTE GRAFITO	JOINT COU. GRAPHITE BLOWER	1	1	1								
	12009944	ARANDELA A5	FLAT WASHER A.5	4	4	4								
	12009890	ARANDELA ABANICO A5 A.304	FAN SHAPED WASHER A.5	4	4	4								
	12010284	TORNILLO EXAGONAL M5 INOX.	HEXAGONAL SCREW M5 INOX.	4	4	4								
12	12039556	QUEMADOR CONVECCION 101	BURNER CONVECTION 101	1	1	1								

MOD.	HORNOS / OVEN		ZONA / ZONE	FUNCIONAL GAS CONVECCION FUNCTIONAL GAS CONVECTION							PLANO DIAGRAM	C-3081	
ITEM	CODIGO REFERENCE	DENOMINACION	DENOMINATION	ACG-201	AG-201	APG-201					ELIMINADO ELIMINATED	INTRODUCID. INTRODUCED	NOTAS
13	12039559	JUNTA AMARRE QUEMADOR 101	BURNER TIE BOARD 101	2	2	2							
	12009868	ARANDELA PLANA INOX 6MM	WASHER FLAT 6 MM INOX.	8	8	8							
	12009882	ARANDELA ABANICO A6 A.304	FAN SHAPED WASHER A.6	8	8	8							
	12010130	TUERCA EXAGONAL M6 LATON	HEXAGONAL NUT M6 BRASS	8	8	8							
14	12039474	JUNTA SALIDA INTERCAMBOR 201	OUTPUT BOARD EXCHANG. 201	1	1	1							
	12009868	ARANDELA PLANA INOX 6MM	WASHER FLAT 6 MM INOX.	12	12	12							
	12009882	ARANDELA ABANICO A6 A.304	FAN SHAPED WASHER A.6	12	12	12							
	12010130	TUERCA EXAGONAL M6 LATON	HEXAGONAL NUT M6 BRASS	12	12	12							
15	12039517	AMARRE SALIDA CUERPO INT 101	INSIDE OUT BODY TIE 101	1	1	1							
16	12039473	INTERCAMB. CALOR SUPER. 201	TOP HEAT EXCHANGER 201	1	1	1							
17	12040734	INTERCAMBIAD. CALOR INFERIOR	BOTTOM HEAT EXCHANGER 201	1	1	1							
18	12046364	VALVULA REGUL 50HZ ADV	ADV 50HZ VALVE CONTROLL.	2	2	2							
18	12046365	VALVULA REGUL 60HZ ADV	ADV 60HZ VALVE CONTROLL.	2	2	2							
19	12039440	CAJA CONTROL DBC 579	DBC CONTROL BOX 579	2	2	2							
20	12045675	TOBERA Ø 5,2 BP	NOZZLE Ø 5,2 BP	1	1	1							
20	12045677	TOBERA Ø 7,5 GN	NOZZLEØ 7,5 GN	1	1	1							
21	12008085	TUERCA 3/4	NUT 3/4	2	2	2					18.02.13		
21	12048850	TUERCA G 3/4	NUT G 3/4	2	2	2						18.02.13	
S/Nº	12008775	BICONO Ø16	BICONE Ø16	2	2	2							
22	12044366	ENTRADA GAS CO. ACG 202 SUB	GAS INLET ACG 202 SUB	1	-	-							
22	12041051	ENTRADA GAS CO. ADV 202 SUB	GAS INLET ADV 202 SUB	-	1	1							
	12009944	ARANDELA A5	FLAT WASHER A.5	2	2	2							
	12010221	TORNILLO EXAGONAL M5X15 INOX	HEXAGONAL SCREW M5X15 INC	2	2	2							
23	12045675	TOBERA Ø 5,2 BP	NOZZLE Ø 5,2 BP	1	1	1							
23	12039569	TOBERA Ø7 GN	NOZZLE Ø7 GN	1	1	1							
24	12039559	JUNTA AMARRE QUEMADOR 101	BURNER TIE BOARD 101	2	2	2							
	12009868	ARANDELA PLANA INOX 6MM	WASHER FLAT 6 MM INOX.	8	8	8							
	12009882	ARANDELA ABANICO A6 A.304	FAN SHAPED WASHER A.6	8	8	8							
25	12044447	TUBO DESAGUE ADV 01	DRAIN PIPE ADV 01	1	1	1							
26	12039679	AMARRE TUBOS AIRE	MOORING PIPES AIR	2	2	2							
26A	11000232	TUBO AIRE VULCANO PUZ 50	AIR TUBE VULCANO PUZ 50	2	2	2							

MOD.		HORNOS / OVEN		ZONA / ZONE		FUNCIONAL GAS CONVECCION FUNCTIONAL GAS CONVECTION						PLANO DIAGRAM		C-3081	
ITEM	CODIGO REFERENCE	DENOMINACION	DENOMINATION	ACG-201	AG-201	APG-201						ELIMINADO ELIMINATED	INTRODUCID. INTRODUCED	NOTAS	
27	12039685	DETECTOR CONVECCION 061	CONVECTION DETECTOR 061	1	1	1									
S/Nº	12039450	JUNTA BUJIA CONVECCION 102	PLUG BOARD CONVECTION 102	1	1	1									
	12045140	TORNILLO M4X10 LATON	SCREW M4 BRASS	2	2	2									
	12010244	TUERCA EXAGONAL M4 LATON	HEXAGONAL NUT M4 BRASS	2	2	2									
28	12039684	BUJIA CONVECCION 061	SPARK CONVECTION 061	1	1	1									
S/Nº	12039449	102 JUNTA BUJIA CONVECCION	102 SPARK CONVECTI. BOARD	1	1	1									
	12045140	TORNILLO M4X10 LATON	SCREW M4 BRASS	2	2	2									
	12010244	TUERCA EXAGONAL M4 LATON	HEXAGONAL NUT M4 BRASS	2	2	2									
29	12039556	QUEMADOR CONVECCION 101	BURNER CONVECTION 101	1	1	1									
30	12045252	JUNTA ACOP.SOPLANTE GRAFITO	JOINT COU. GRAPHITE BLOWER	1	1	1									
	12009944	ARANDELA A5	FLAT WASHER A.5	4	4	4									
	12009890	ARANDELA ABANICO A5 A.304	FAN SHAPED WASHER A.5	4	4	4									
	12010284	TORNILLO EXAGONAL M5 INOX.	HEXAGONAL SCREW M5 INOX.	4	4	4									
31	12039560	CAMARA SILENCIADOR 101	CHAMBER MUFFLER 101	1	1	1									
	12010221	TORNILLO EXAGONAL M5X15 INOX	HEXAGONAL SCREW M5X15 INC	4	4	4									
32	12039544	CHISPA BRAHMA	BRAHMA SPARK	1	1	1									
	12009971	TORNILLO ALOMADO M3X30 H.ZINC	CURVED SCREW M3X30 H.ZINC	2	2	2									
	12010289	TUERCA AUTOBLOCANTE M3	SELF-LOCKING NUT M3	2	2	2									
33	12045252	JUNTA ACOP.SOPLANTE GRAFITO	JOINT COU. GRAPHITE BLOWER	1	1	1									
	12009944	ARANDELA A5	FLAT WASHER A.5	4	4	4									
	12009890	ARANDELA ABANICO A5 A.304	FAN SHAPED WASHER A.5	4	4	4									
	12010284	TORNILLO EXAGONAL M5 INOX.	HEXAGONAL SCREW M5 INOX.	4	4	4									
34	12044607	SOPLANTE NRG 118 55kw	BLOWER NRG 118 55kw	1	1	1									
35	12009940	JUNTA TORICA114x3	O-RING 114x3	1	1	1									
36	12039541	ARO VENTURI ROJO	RED RING VENTURI	1	1	1									
37	12039540	MIXER COMPLETO	MIXER COMPLETE	1	1	1									
	12009868	ARANDELA PLANA INOX 6MM	WASHER FLAT 6 MM INOX.	3	3	3									
	12010084	TORNILLO ALLEN INOX M6X40MM	SCREW ALLEN INOX M6X40MM	3	3	3									
S/Nº	12041612	JUNTA TORICA 63X3	O-RING 63X3	1	1	1									
37A	12039567	TUBO GAS FLEXIBLE 300-90º	FLEXIBLE GAS PIPE 300-90º	1	1	1									



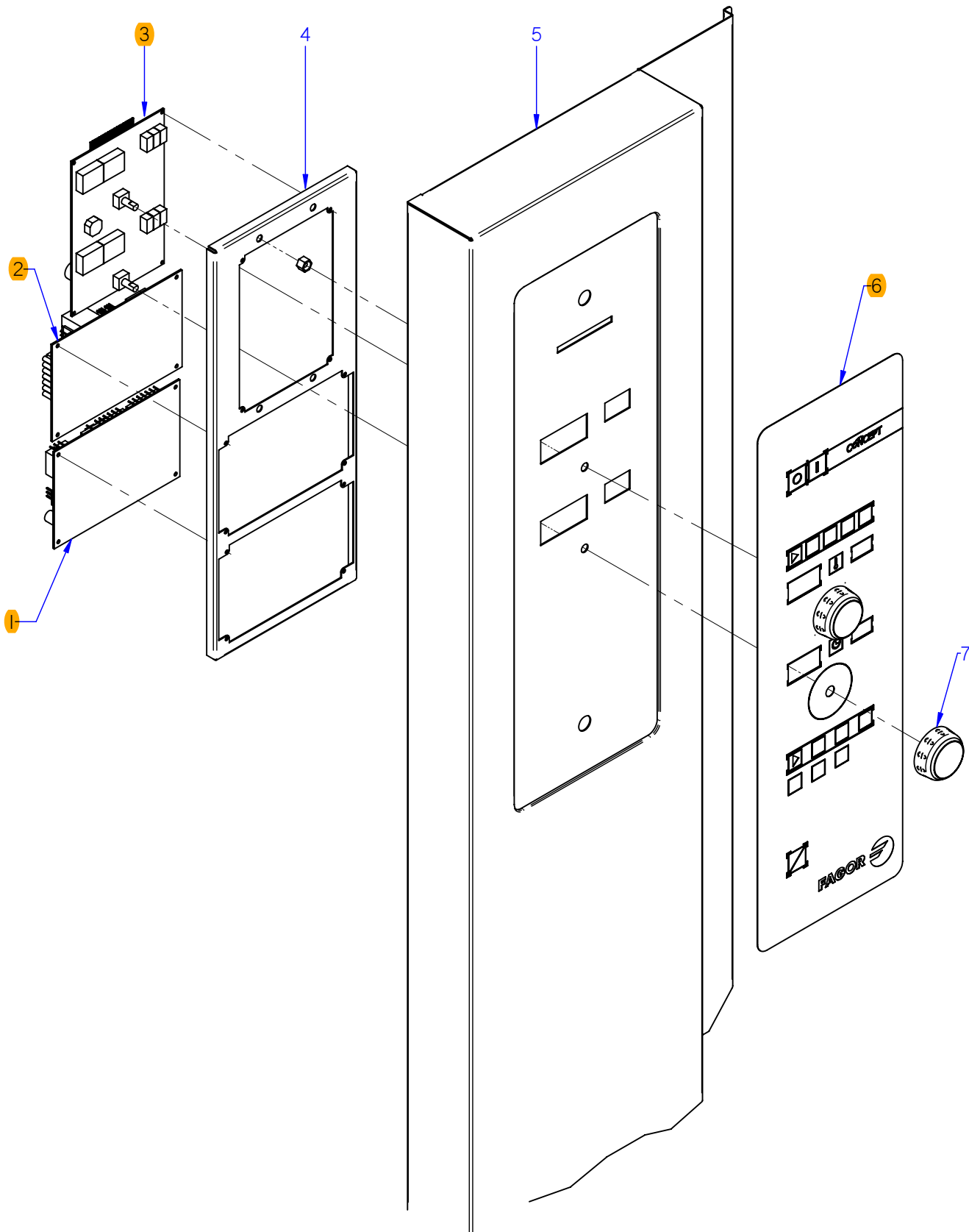
ITEM MARCADO EN COLOR = REPUESTO RECOMENDADO  
 COLOURED ITEM = RECOMMENDED SPARE PART

Nº plano / N° plane	Firma	Fecha / Date	Denominación / Denomination:	Lamina / Sheet	Fagor Industrial S.Coop. <b>FAGOR</b>
C-3082	<i>[Signature]</i>	2012-09	HORNOS AG; ACG; APG-201	11	Oñate

MOD.		HORNOS / OVEN		ZONA / ZONE		CUADRO ELECTRICO / ELECTRIC PANEL						PLANO DIAGRAM		C-3082	
ITEM	CODIGO REFERENCE	DENOMINACION	DENOMINATION	ACG-201	AG-201	APG-201						ELIMINADO ELIMINATED	INTRODUCID. INTRODUCED	NOTAS	
1	12024642	CONJUN. TERMOPAR CAMARA (K)	CHAMBER THERMOCOUPLE UNI	1	1	1									
2	12023581	RACORD CIERRE SONDA	PROBE CLOSING ADAPTOR	2	2	2									
S/Nº	12024247	BICONO CIERRE SONDA	PROBE CLOSING BICONE	1	1	1									
3	12023737	BASE CIERRE SONDA	FIXING CORE PROBE	1	1	1									
4	12023504	JUNTA PASAMUROS SIMPLE	SIMPLE	1	1	1									
	12009987	ARANDELA A4	FLAT WASHER A.4	4	4	4									
	12010249	TORNILLO EXAGONAL M4X10	HEXAGONAL BOLT M4X10	4	4	4									
5	12024329	VARIADOR FRECUENCIA SIE 0,37K	FREQUENCY VARIATOR SIE 0.37	2	2	2						26.02.13			
5	12048798	REP VARIADOR REGULADO ADV	REGULATED VARIATOR ADV	2	2	2							26.02.13		
	12009987	ARANDELA A4	FLAT WASHER A.4	8	8	8									
	12009928	ARANDELA ABANICO A4 A.304	FAN SHAPED WASHER A.4	8	8	8									
	12010278	TORNILLO ALOMADO M4X10	CURVED SCREW M.4x10	8	8	8									
S/Nº	12024067	CASQUILLO	BUSHING	4	4	4							13.05.13		
S/Nº	12025235	CONECTOR PASO 3,96MM 8 VIAS	CONNECTOR ROUTES 3,96MM 8	1	1	1									
6	12039371	CUADRO ELECT 202 G ADVAN	ELECTRICAL PANEL 202 G ADV	1	1	1									
	12010158	REMACHE EXAGONAL M.4	HEXAGONAL RIVET M.4	6	6	6									
	12009944	ARANDELA A5	FLAT WASHER A.5	3	3	3									
	12009890	ARANDELA ABANICO A5 A.304	FAN SHAPED WASHER A.5	3	3	3									
	12010221	TORNILLO EXAGONAL M5x15	HEXAGONAL SCREW M.5x15	3	3	3									
7	12039548	SONDA PINCHO ADVANCE	ADVANCE PROBE PINCHO	1	1	1									
	12010110	ARANDELA Ø 8.4X20X1.5	FLAT WASHER Ø 8.4X20X1.5	1	1	1									
	12040566	CONTRATUERCA H 1/4"	COUNTERNUT H 1/4"	1	1	1									
8	12022001	SOPORTE TERMOS VAPOR	THERMOSTAT SUPPORT	2	2	2									
	12023499	TUERCA M.10x1 EGO 00.00600.075	NUT M.10x1 EGO 00.00600.075	2	2	2									
9	12024591	TERMOSTATO LIMITADOR 10/21	LIMITER THERMOSTAT10/21	1	1	1									
10	12024884	TERMOSTATO LIMITADOR CORTE	THERMOSTAT LIMITER		1	1									
11	12024011	CONTACTOR 230 V. 50-60 HZ	230 V. 50-60 HZ CONTACTOR	1	1	1									
12	12025158	BORNAS PORTA FUSIBLES	FUSE HOLDER TERMINAL	2											
12	12040888	BORNAS PORTAFUSIBLES 15A 4	FUSE HOLDER TERMINAL 15A		2	2									
	12024743	BORNA TIERRA 10 WPE-10103.O	EARTH TERMINAL10 WPE-10103.	1	1	1									
	12024199	TOPE FINAL BORNA 10mm2 UL	FINAL STOP TERMINAL UL 10	1	1	1									



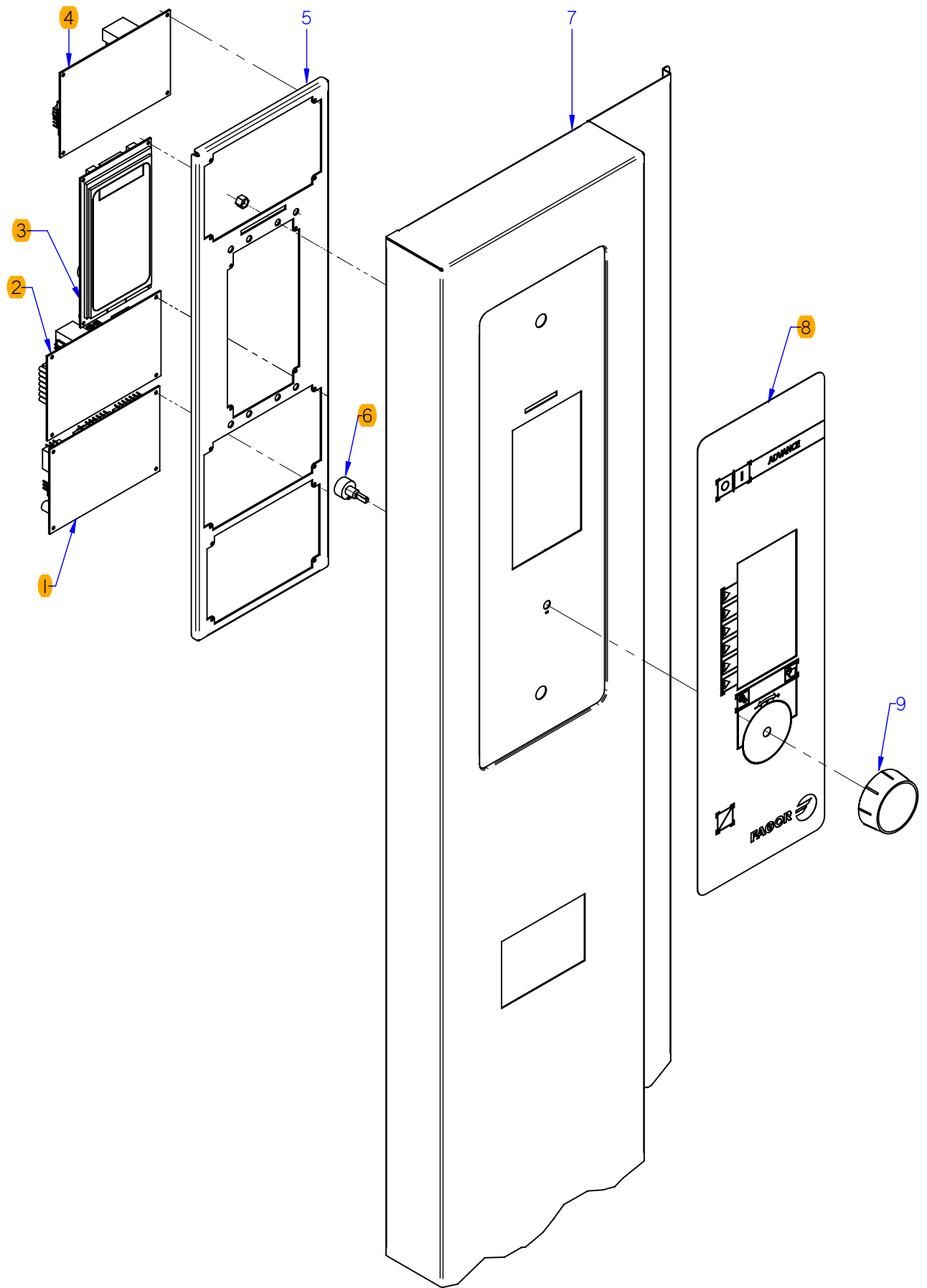




ITEM MARCADO EN COLOR = REPUESTO RECOMENDADO  
 COLOURED ITEM = RECOMMENDED SPARE PART

Nº plano / N° plane	Firma	Fecha / Date	Denominación / Denomination: PORTAMANDOS / CONTROL HOLDER	Lamina / Sheet	Fagor Industrial S.Coop. <b>FAGOR</b> 
C-3083	<i>name Benja</i>	2012-09	HORNOS ACG-201	12	Odate

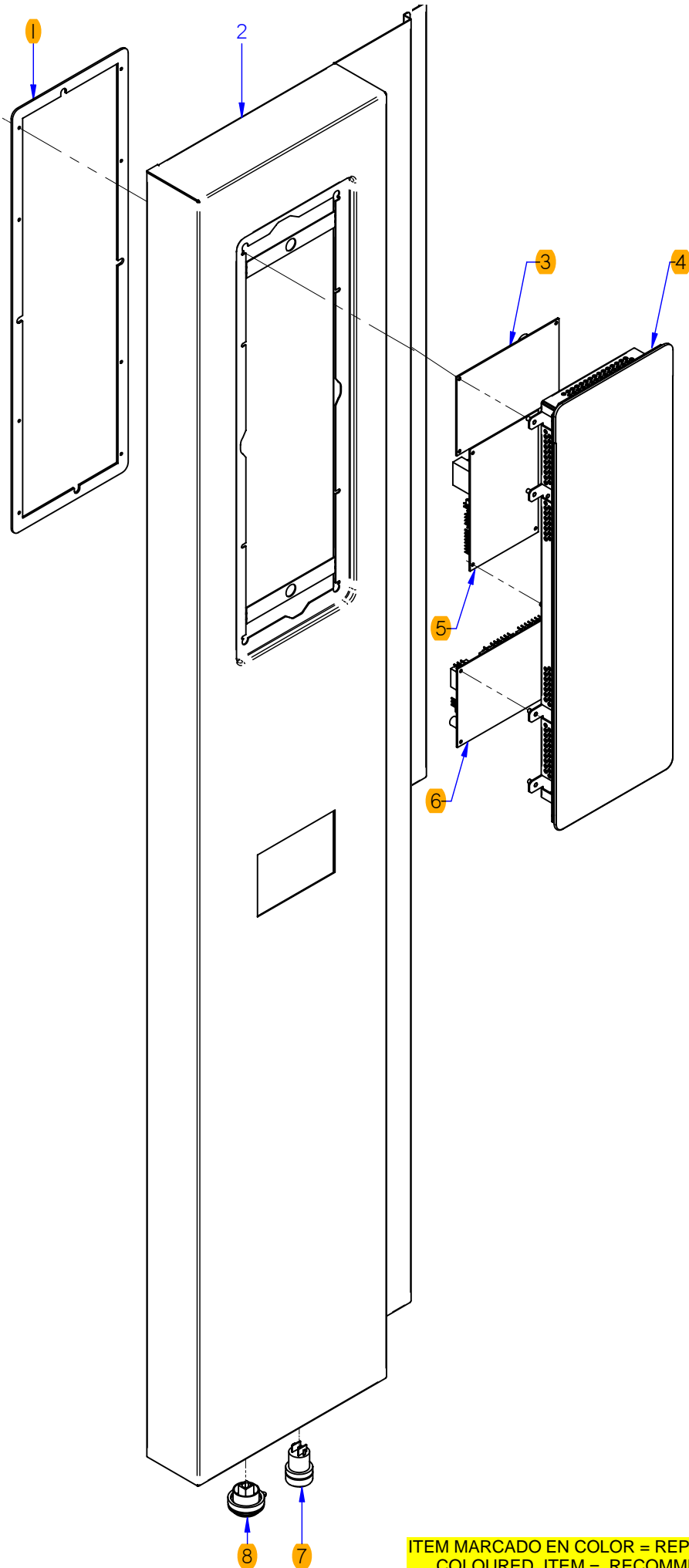




ITEM MARCADO EN COLOR = REPUESTO RECOMENDADO  
 COLOURED ITEM = RECOMMENDED SPARE PART

Nº plano / N° plane	Firma	Fecha / Date	Denominación / Denomination:	PORTAMANDOS / CONTROL HOLDER	Lamina / Sheet	Fagor Industrial S.Coop. <b>FAGOR</b>
C-3084	<i>[Signature]</i>	2012-09	HORNOS AG-201		13	Oñate





ITEM MARCADO EN COLOR = REPUESTO RECOMENDADO  
 COLOURED ITEM = RECOMMENDED SPARE PART

Nº plano / N° plane	Firma	Fecha / Date	Denominación / Denomination:	PORTAMANDOS / CONTROL HOLDER	Lamina / Sheet	Fagor Industrial S.Coop. <b>FAGOR</b>
C-3085	<i>rene benfor</i>	2012-09	HORNOS APG-201		14	Oñate





MOD.	HORNOS / OVEN		ZONA / ZONE	REPUESTOS RECOMENDADOS RECOMMENDED SPARE PART							PLANO DIAGRAM			
ITEM	CODIGO REFERENCE	DENOMINACION	DENOMINATION	ACG-201	AG-201	APG-201						ELIMINADO ELIMINATED	INTRODUCID. INTRODUCED	NOTAS
	12046022	KIT PUERTA 201	DOOR 201 KIT	1	1	1						12,03,14		C-3073
23	12097686	KIT PUERTA 201 CIERRE UNICO	SINGLE LOCK DOOR 201 KIT	1	1	1							12,03,14	C-3073-14
1	12041083	KIT CRISTAL INTER. 201	201 INNER GLASS KIT	1	1	1								C-3073-14
8	12039312	BISAGRA SUPERIOR	UPPER HINGE	1	1	1								C-3073-14
13	12047967	BASE BISAGRA INFERIOR 6 DIEN	LOWER HINGE BASE	1	1	1								C-3073-14
12	12044776	ASA COMPLETA 2/1 ADVANCE	HANDLE 2/1 ADVANCE	1	1	1						12,03,14		C-3073
12	12044773	ASA ADVANCE	ADVANCE HANDLE	1	1	1							12,03,14	C-3073-14
13	12039311	BASE BISAGRA INFERIOR PUERTA	LOWER DOOR HINGE BASE	1	1	1						02.09.13		C-3073
13	12047967	BASE BISAGRA INFERIOR 6 DIEN	LOWER HINGE BASE	1	1	1							02.09.13	C-3073-14
16	12024560	INTERRUPTOR MAGNETICO AC	MAGNETIC SWITCH AC	1	1	1								C-3073-14
21	12041134	JUNTA PUERTA COMPL.201 ADV	DOOR JOINT 201 ADV	1	1	1								C-3073-14
22	12041088	JUNTA CIERRE INFERIOR 201	LOWER LOCK JOINT 201	1	1	1								C-3073-14
6	12024464	MARCO LAMPARA	LAMP ANCHORING PLATEN	2	2	2								C-3074
S/Nº	12023532	JUNTA INTERIOR LAMPARA	LAMP INNER JOINT	2	2	2								C-3074
S/Nº	12023668	CRISTAL LAMPARA	LAMP GLASS	2	2	2								C-3074
S/Nº	12023578	JUNTA EXTERIOR LAMPARA	LAMP OUTER JOINT	2	2	2								C-3074
S/Nº	12024545	PORTALAMPARAS	LAMP HOLDER	2	2	2								C-3074
S/Nº	12025123	LAMPARA 10W-12V	LIGHT 10W 12V	2	2	2								C-3074
1	12024325	MOTOR 230V AC 3N650KW 1450RP	MOTOR 230V AC 3N650KW 1450	2	2	2								C-3076
4	12024510	RETEN 17X28X7V	RETAINER 28x17x7	4	4	4								C-3076
5	12010122	ANILLO DE SEGURIDAD Ø 28X1.2	SAFETY RING 28x1,2	2	2	2								C-3076
11	12025193	INTERRUPTOR PUERTA	DOOR SWITCH	2	2	2								C-3077
12	12024638	MOTOR CHIMENEA	FLUEPIPE MOTOR	1	1	1								C-3077
14	12024122	TUBO FLEXIBLE Ø53X360	FLEXIBLE TUBE Ø53X360	1	1	1								C-3077
1	12025161	ELECTRO. 230VAC 50/60Hz 1VIA	SOLENOID VALVE 230VAC 1 V	1	-	-								C-3078
1	12023921	ELECTR. 230V AC 50/60Hz 3 VIAS A	SOLENOID 230V AC 50/60Hz 3 V	-	1	1								C-3078
8	12039546	MOTOBOMBA 230V AC 1N 50/60Hz	PUMP 230V AC 50/60Hz 30W 1N	-	1	1								C-3078
10	12024800	DUCHA	SHOWER	-	1	1								C-3078

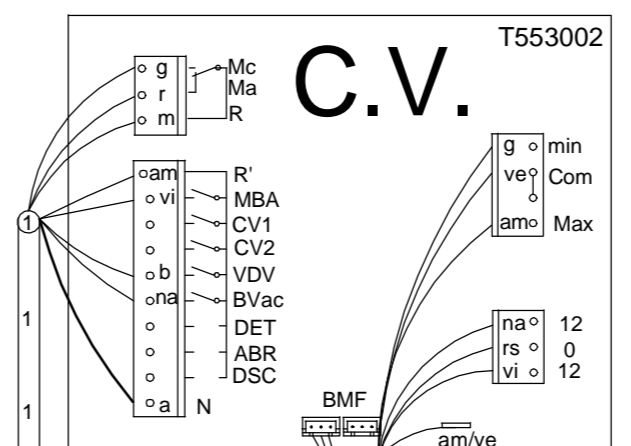
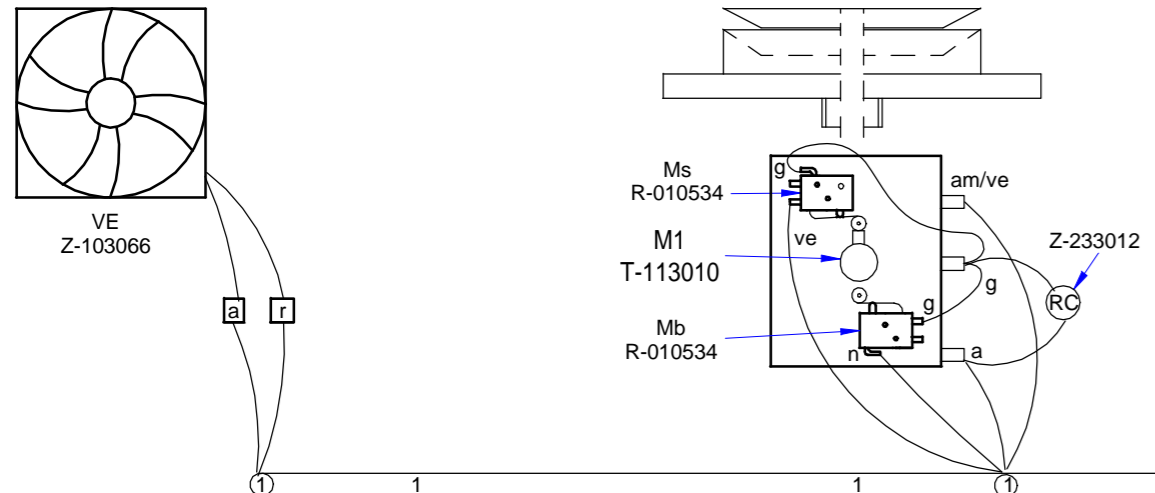


MOD.	HORNOS / OVEN		ZONA / ZONE	REPUESTOS RECOMENDADOS RECOMMENDED SPARE PART							PLANO DIAGRAM		
ITEM	CODIGO REFERENCE	DENOMINACION	DENOMINATION	ACG-201	AG-201	APG-201					ELIMINADO ELIMINATED	INTRODUCID. INTRODUCED	NOTAS
11	12025161	ELECTROVALV. 230VAC 50/60Hz 1V	SOLENOID VALVE 230VAC 1 V		1	1							C-3078
13	12024754	MOTORREDUCTOR 230V AC 1N	MOTOREDCER 230V AC 1N			1							C-3078
17	12025193	INTERRUPTOR PUERTA	DOOR SWITCH			2							C-3078
20	12024796	CUERPO VALVULA COMPLETO	COMPLETE VALVE BODY			1							C-3078
21	12024407	GOMA VALVULA BOMBA GAS	PUMP VALVE RUBBER			1							C-3078
22	12024782	MOTOBOMBA 230V AC 1N 50Hz	MOTOR 230V AC 1N 50Hz 74,6			1							C-3078
23	12047404	MOD CONJUNTO DESAGUE ADV	ADV DRAIN SET MODEL		1	1						03,12,12	C-3078
1	12046107	KIT GENERADOR VAPOR 201	STEAM GENERATOR 201 KIT		1	1							C-3079
2	12041855	TUBO FLEXIBLE Ø53X360 VARILLA	FLEXIBLE TUBE Ø53X360		1	1					01.01.13		C-3079
2	12047890	EMPALME GENERADOR AG 201	GENERATOR JOINT AG 201		1	1						01.01.13	C-3079
S/Nº	12047901	EMPALME SILICONA Ø53	SILICONE JOINT Ø53		2	2						01.01.13	C-3079
3	12023573	ELECTRODO ALTO	HIGH LEVEL ELECTRODE		1	1							C-3079
4	12023574	ELECTRODO BAJO	LOW LEVEL ELECTRODE		1	1							C-3079
5	12023575	ELECTRODO DE MASA	EARTH ELECTRODE		1	1							C-3079
9	12023921	ELECTR. 230V AC 50/60Hz 3 VIAS A	SOLENOID 230V AC 50/60Hz 3 V		1	1							C-3079
10	12039649	TUBO DESAGÜE GENERADOR	DRAIN TUBE GENERATOR		1	1							C-3079
11	12039546	MOTOBOMBA 230V AC 1N 50/60Hz	PUMP 230V AC 50/60Hz 30W 1N		1	1							C-3079
12	12023901	CONJUN. TERMOPAR VAPOR	STEAM THERMOCOUPLE UNIT		1	1							C-3079
1	12039544	CHISPA BRAHMA	BRAHMA SPARK		1	1							C-3080
2	12044424	QUEMADOR GENERADOR 201G	BURNER GENERATOR 201G		1	1							C-3080
4	12044607	SOPLANTE NRG 118 55kw	BLOWER NRG 118 55kw		1	1							C-3080
8	12039440	CAJA CONTROL DBC 579	DBC CONTROL BOX 579		1	1							C-3080
9	12046364	VALVULA REGUL 50HZ ADV	ADV 50HZ VALVE CONTROLL.		1	1							C-3080
9	12046365	VALVULA REGUL 60HZ ADV	ADV 60HZ VALVE CONTROLL.		1	1							C-3080
15	12039430	BUJIA GENERADOR 202	PLUG GENERATOR 202		1	1							C-3080
16	12039431	DETECTOR GENERADOR 202	GENERATOR SENSOR 202		1	1							C-3080
1	12039685	DETECTOR CONVECCION 061	CONVECTION DETECTOR 061	1	1	1							C-3081
2	12039684	BUJIA CONVECCION 061	SPARK CONVECTION 061	1	1	1							C-3081
8	12044607	SOPLANTE NRG 118 55kw	BLOWER NRG 118 55kw	1	1	1							C-3081
12	12039556	QUEMADOR CONVECCION 101	BURNER CONVECTION 101	1	1	1							C-3081
18	12046364	VALVULA REGUL 50HZ ADV	ADV 50HZ VALVE CONTROLL.	2	2	2							C-3081

MOD.	HORNOS / OVEN	ZONA / ZONE	REPUESTOS RECOMENDADOS RECOMMENDED SPARE PART							PLANO DIAGRAM			
ITEM	CODIGO REFERENCE	DENOMINACION	DENOMINATION	ACG-201	AG-201	APG-201					ELIMINADO ELIMINATED	INTRODUCID. INTRODUCED	NOTAS
18	12046365	VALVULA REGUL 60HZ ADV	ADV 60HZ VALVE CONTROLL.	2	2	2							C-3081
19	12039440	CAJA CONTROL DBC 579	DBC CONTROL BOX 579	2	2	2							C-3081
27	12039685	DETECTOR CONVECCION 061	CONVECTION DETECTOR 061	1	1	1							C-3081
28	12039684	BUJIA CONVECCION 061	SPARK CONVECTION 061	1	1	1							C-3081
29	12039556	QUEMADOR CONVECCION 101	BURNER CONVECTION 101	1	1	1							C-3081
34	12044607	SOPLANTE NRG 118 55kw	BLOWER NRG 118 55kw	1	1	1							C-3081
1	12024642	CONJUN. TERMOPAR CAMARA (K)	CHAMBER THERMOCOUPLE UNI	1	1	1							C-3082
5	12048798	REP VARIADOR REGULADO ADV	REGULATED VARIATOR ADV	2	2	2							C-3082
7	12039548	SONDA PINCHO ADVANCE	ADVANCE PROBE PINCHO	1	1	1							C-3082
9	12024591	TERMOSTATO LIMITADOR 10/21	LIMITER THERMOSTAT10/21	1	1	1							C-3082
10	12024884	TERMOSTATO LIMITADOR CORTE	THERMOSTAT LIMITER		1	1							C-3082
13	12024106	VENTILADOR 230V AC 1N 50/60Hz	FAN 230V AC 1N 50/60Hz 36KW	2	2	2							C-3082
16	12041634	CON.TERMOPAR VAPOR KØ4-061	STEAM THERMOCOUPLE UNIT	1	1								C-3082
16	12044609	CONJ. TERMOPAR L425	L425 THERMOCOUPLE UNIT			1							C-3082
17	12043409	BICONO CIERRE Sonda Ø4	PROBE CLOSING BICONE Ø4	1	1	1							C-3082
19	12024173	TRANSFORMADOR 12-0-12-0,24-0	TRANSFORMER 12-0-12-0,24-0	1	1	1							C-3082
1	12046673	CONTROL TARJETA GAS	GAS CONTROL BOARD	1									C-3083
2	12046659	CONTROL TARJETA CAM.12V AC .	CARD CONTROL 12V AC 50/60Hz	1									C-3083
3	12046671	VISUALIZADOR 12V AC 50/60Hz 12D	12V AC 50/60Hz 12D DISPLAY	1									C-3083
6	12044176	SERIGRAFIA ADV CONCEPT GAS	SERIGRAPHY ADV CONCEPT G	1									C-3083
1	12046673	CONTROL TARJETA GAS	GAS CONTROL BOARD		1								C-3084
2	12046659	CONTROL TARJETA CAM.12V AC .	CARD CONTROL 12V AC 50/60Hz		1								C-3084
3	12046672	VISUALIZADOR 12V AC 50/60Hz 32	12V AC 50/60Hz 32 D DISPLAY		1								C-3084
4	12046670	CONTROL TARJETA CALD. 12V AC	CARD CONTROL 12V AC 50/60Hz		1								C-3084
6	12043405	ENCODER GAMA ADVANCE	ADVANCE RANGE ENCODER		1								C-3084
8	12044139	SERIGRAFIA ADVANCE	ADVANCE SERIGRAPHY		1								C-3084
1	12041815	JUNTA PORTAMANDOS ADV PLUS	CONTROL PANEL SEAL ADV PLU			1							C-3085
3	12046670	CONTROL TARJETA CALD. 12V AC	CARD CONTROL 12V AC 50/60Hz			1							C-3085
4	12046579	PLAT ADV PLUS CON SOFTWARE	ADV PLUS SOFTWARE PLATF.			1							C-3085
5	12046659	CONTROL TARJETA CAM.12V AC .	CARD CONTROL 12V AC 50/60Hz			1							C-3085
6	12046673	CONTROL TARJETA GAS	GAS CONTROL BOARD			1							C-3085







**Variador de Siemens.**  
 Pulsar [P] para entrar o salir de los Parametros.  
 Nota. Si se modifica algunvalor del nivel Basico, hay que volver a grabar el nivel 3.

P0010 = 1 Para inicio programación. (Nivel Basico)  
 P0100 = 0 (Valor en KW 50Hz Europa)  
 P0304 = 230 (Vn V)  
 P0305 = 1,8 (Inb A)  
 P0307 = 0,37 (Pn KW)  
 P0310 = 50 (Fn Hz)  
 P0311 = 1400 (rpm Nom)  
 P0700 = 2 (Terminal)  
 P1000 = 2 (Consigna ADC)  
 P1080 = 25 (F.min Hz)  
 P1082 = 50 (F.Max Hz)  
 P1120 = 5° (Ton °)  
 P1121 = 5° (Toff °)  
 P3900 = 1 (Fin de la programación y grabación de datos.)

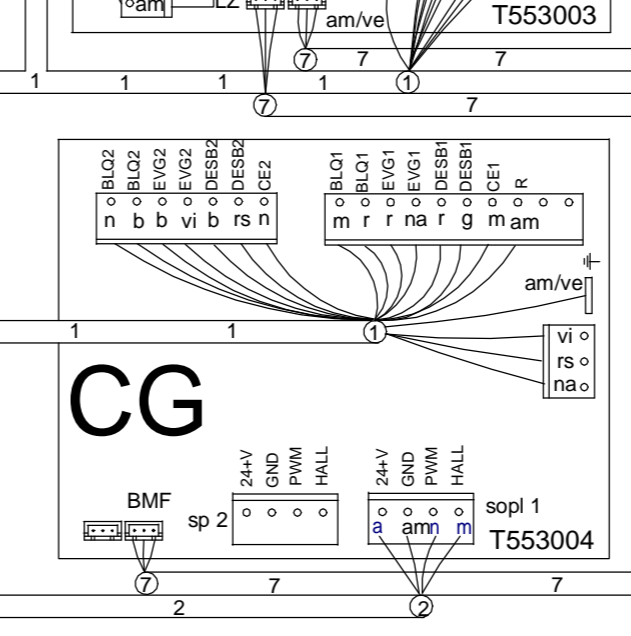
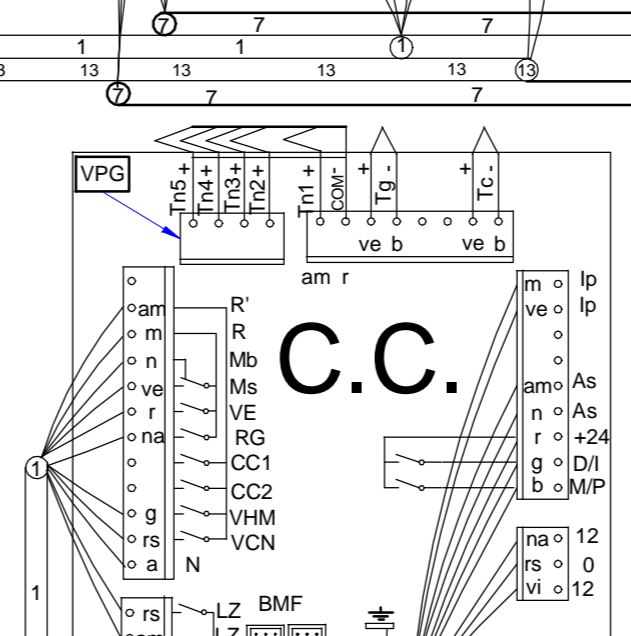
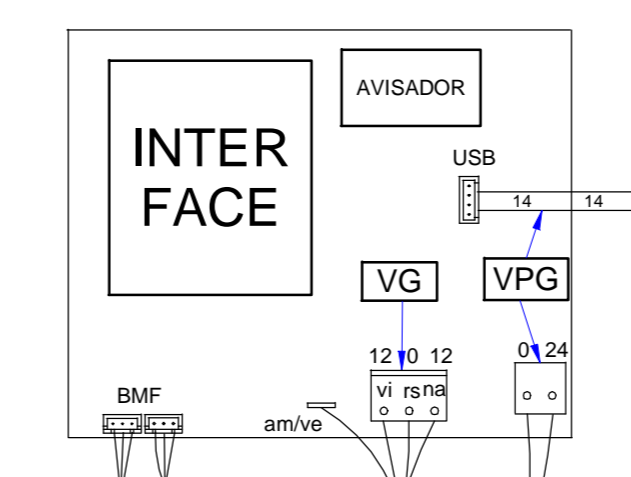
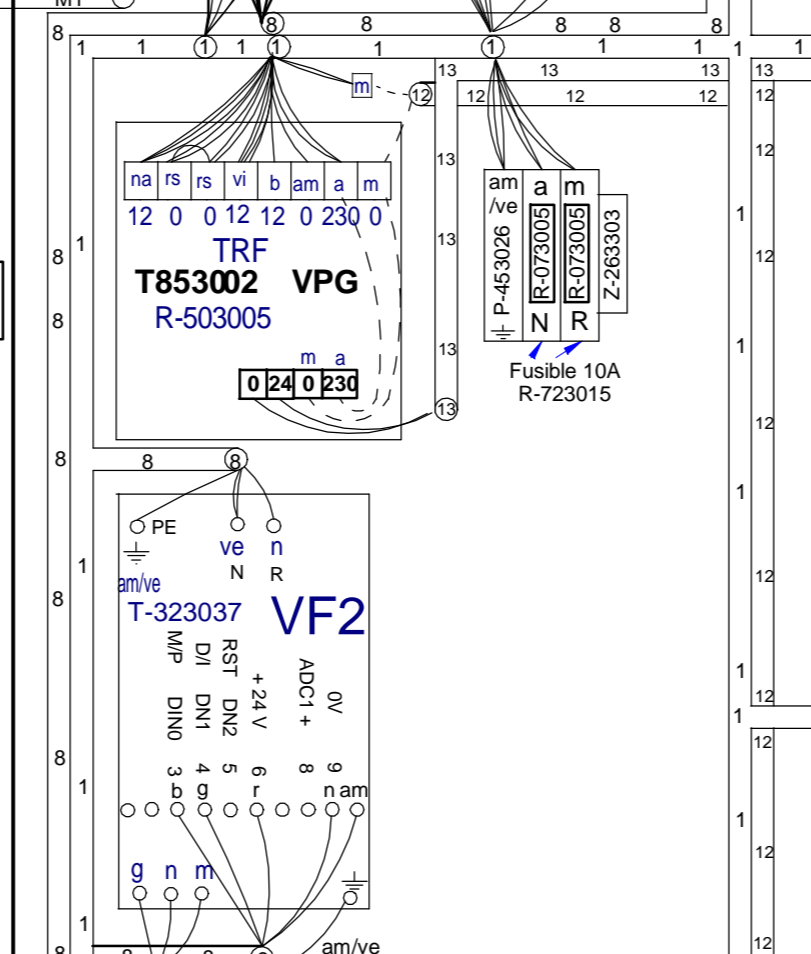
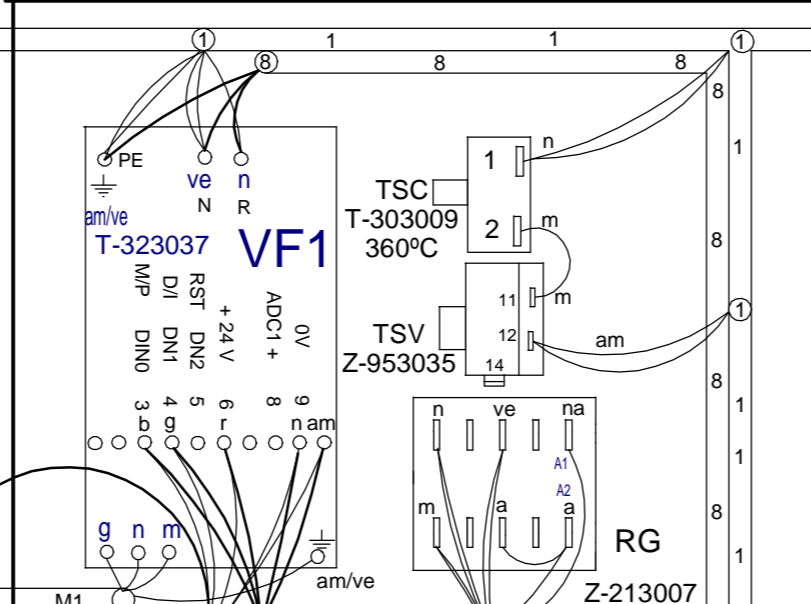
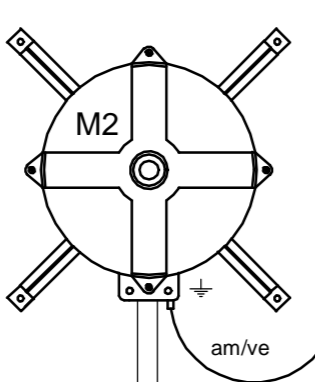
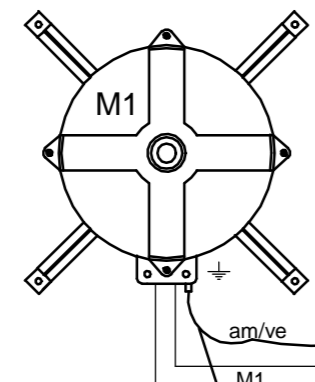
**P0003 = 3 (Nivel 3 Experto).**  
 P0005 = 27 (Visualizacion = Corriente de salida)  
 P0611 = 16000 (Tiempo de activación de sobrecarga Seg.)  
 P0640 = 150 (Sobrecarga de corriente en %)  
 P1210 = 6 (Rearranque automático)  
 P1300 = 2 (Modo Parábola, Ventilador)  
 P1800 = 16 (F.Base KHz) (Cuanto mas alto: - ruido acústico)  
 P2000 = 50 (F.Referencia de la consigna Hz)

COPIAR PARAMETROS DESDE EL BOP AL VARIADOR

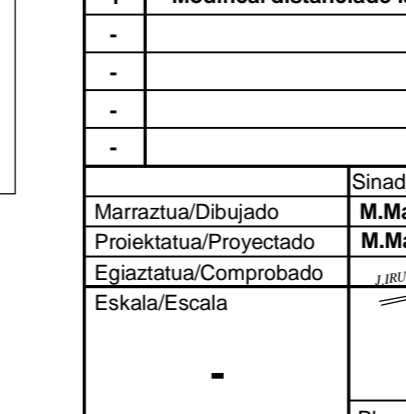
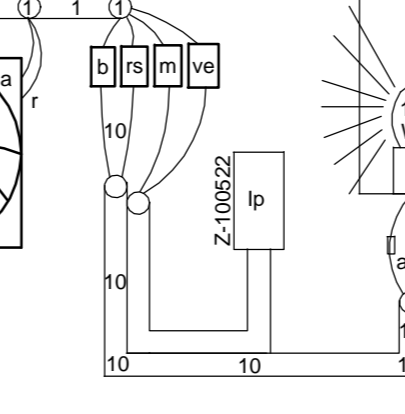
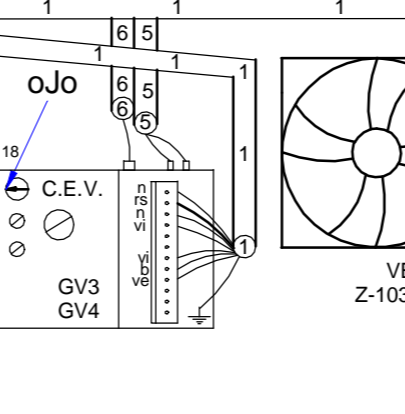
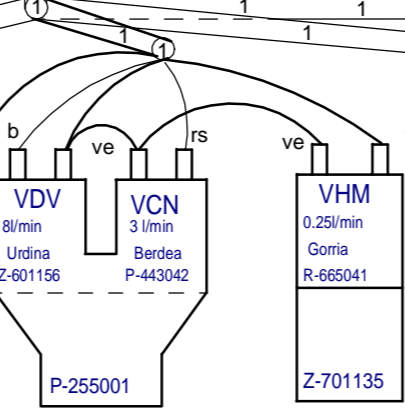
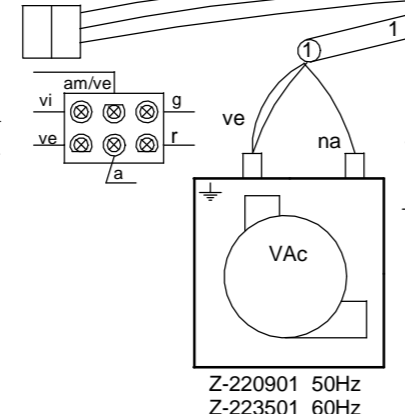
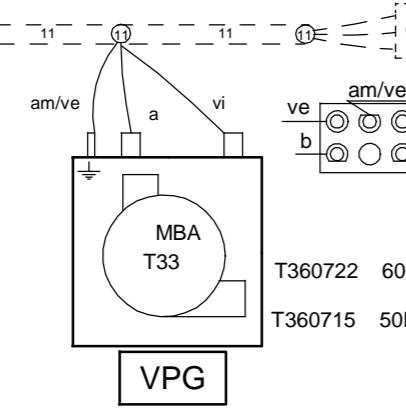
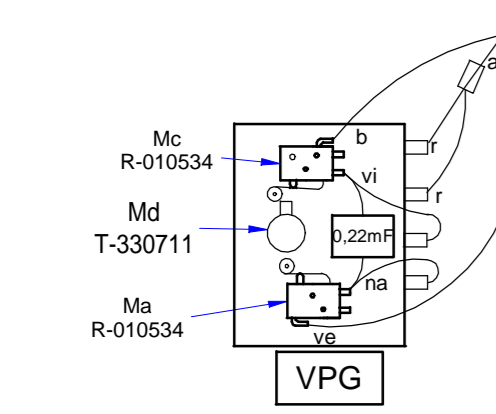
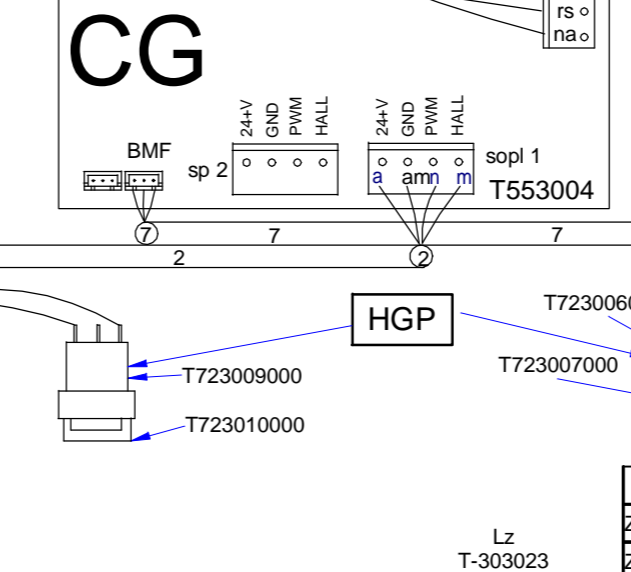
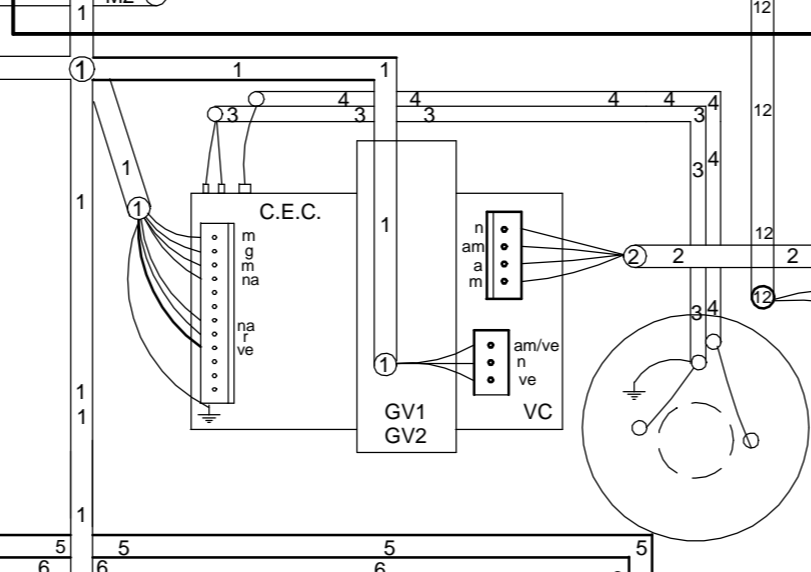
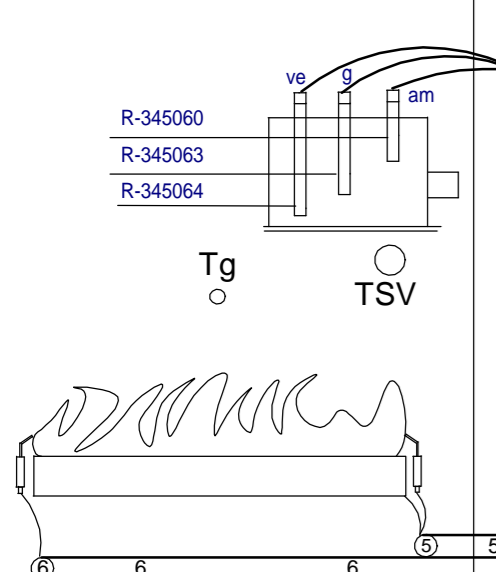
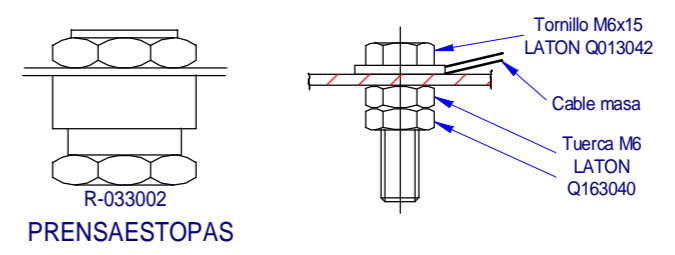
P0003 = 3  
 P0010 = 30  
 P0803 = 1

SOLO USAR CUANDO EL BOP SE HA BORRADO

P0802 desde Variador a BOP



	10 2		20 2	
	VG	VPG	VG	
Genrl	1	T643007000		
Soplt	2	T303058	T493011	
Ig.C	3	T303034	T493012	
Dil.C	4	T303035	T493013	
Ig.V	5	T303036000		
Dil.V	6	T303037	T493014	
BMF	7	T903006000		
VF2	8		T743002	
ProIn	9	-----		
Lz	10	T303031	T493010	
Lav	11	T333009		
Rst	12	T523004		
TFT	13	T853003		
USB	14	T723008		
Esquema	-	T643005000		
Leyenda	-	T303042000		
Ind.Comp	-	T303043000		



Plano Montaje HGV-HGP 380V				T953003000	
Zk./Nº	Pieza	Cant.	Materia/Material	Klas. zk/Nº Clas.	Gainazal akabera/Tratamiento
Zk./Nº	Aldaketa/Modificaciones		Nork proposatua/Propuesta de	Data/Fecha	Perdoi orokorrak
1	Modificar distancie de las canaletas de 150 a 175 mm.		jeskibel	2007-07-05	Tolerancias generales
-	-	-	-	-	< 5 ± 0.2
-	-	-	-	-	50 ± 100 ± 0.8
-	-	-	-	-	5 ± 25 ± 0.4
-	-	-	-	-	> 100 ± 1
-	-	-	-	-	25 ± 50 ± 0.6
-	-	-	-	-	α ± 1
Sinadura/Firma			Data/Fecha		Gainazal perdoia
Marratzua/Dibujado			2011-07-05		Mecanizado superficial
Proiektatua/Proyectado			2011-07-05		-
Egiaztatua/Comprobado			2011-07-05		-
Eskala/Escala					Plano Zk./Plano Nº
					HD -13183
					Zk. ord. du
					Zk.gaitik ord.



**HORNOS**

Plano hau ezin daiteke erabili, ez berritzatu, gure baimenik gabe.



	<b>ESPAÑOL</b>	<b>FRANÇAIS</b>	<b>ENGLISH</b>	<b>DEUTSCH</b>	<b>ITALIANO</b>
BEC	Bujía Encendido Cámara	Chamber Allumage Chambre	Chamber Spark Plug	Zündkerze Einschalten Garraum	Candela di Accensione Camera
BEV	Bujía Encendido Caldera	Bougie Allumage Chaudière	Boiler Spark Plug	Zündkerze Einschalten Boile	Candela di Accensione Caldaia
C.C.	Control Camara	Contrôle Chambre	Chamber Control	Steuerung Garraum	Controllo Camera
C.E.C	Control Combustión Cámara	Contrôle Combustion Chambre	Chamber Combustion Control	Steuerung Verbrennung Garraum	Controllo Combustione Camera
C.E.V	Control Combustión Caldera	Contrôle Combustion Chaudière	Boiler Combustion Control	Steuerung Verbrennung Boiler	Controllo Combustione Caldaia
C.G.	Control Gas	Contrôle Gaz	Control Gas	Steuern Sie Gas	Controlli il gas
C.V.	Control Caldera	Contrôle Chaudière	Boiler Control	Steuerung Boiler	Controllo Caldaia
CC1, CC2	Contactador Resistencia Cámara	Contacteur Élément Chauffant Chambre	Chamber Heating Element Contactor	Schütz Heizwiderstand Garraum	Contattore Resistenza Camera
CK1, CK2	Contactador General Calentamiento	Relais Élément Chauffant	Heating Element Relay	Relais Heizwiderstand	Relè Resistenza
CV1, CV2	Contactador Resistencias Caldera	Contacteur Élément Chauffant Chaudière	Boiler Heating Element Contactor	Schütz Heizwiderstand Boiler	Contattore Resistenza Caldaia
DEC	Detector Llama Cámara	Détecteur Flamme Chambre	Chamber Flame Detector	Flammendetektor Garraum	Rilevatore di Fiamma Camera
DEV	Detector Llama Caldera	Détecteur Flamme Chaudière	Boiler Flame Detector	Flammendetektor Boiler	Rilevatore di Fiamma Caldaia
DN	Detector Nivel Caldera	Détecteur Niveau Chaudière	Boiler Level Detector	Pegeldetektor Boiler	Rilevatore Livello Caldaia
F	Fusibles	Fusibles	Fuses	Sicherungen	Fusibili
FI	Filtro Interferencias	Filtre Interférences	Interference Filter	Störungsfilter	Filtro Interferenze
FM	Térmico Motor	Thermique Moteur	Thermal Engine	Thermoschalter Motor	Termico Motore
GV1, GV2	Electro válvula Gas Cámara	Électrovanne Gaz Chambre	Chamber Gas Solenoid Valve	Elektroventil Gas Garraum	Elettrovalvola Gas Camera
GV3, GV4	Electro válvula Gas Caldera	Électrovanne Gaz Chaudière	Boiler Gas Solenoid Valve	Elektroventil Gas Boiler	Elettrovalvola Gas Caldaia
Ip	Interruptor Seguridad Puerta	Interrupteur Sécurité Porte	Door Safety Switch	Sicherheitsschalter Tür	Itteruttore Sicurezza Porta
Lz	Luz Interior	Éclairage Intérieur	Inner Light	Innenbeleuchtung	Luce Interna
M, M2	Motor Turbina	Moteur Turbine	Turbine Engine	Motor Turbine	Motore Turbina
Ma	Interruptor Micro Abierto	Microrupteur Ouvert	Open Microswitch	Mikroschalter Geöffnet	Iterruttore Micro Aperto
Mb	Interruptor Micro Bajada	Microrupteur Descente	Drop Microswitch	Mikroschalter Senken	Iterruttore Micro Discesa
Mc	Interruptor Micro Cerrado	Microrupteur Fermé	Closed Microswitch	Mikroschalter Geschlossen	Iterruttore Micro Chiuso
Mch	Motor Chimenea	Moteur Cheminée	Stack Engine	Motor Abluftkamin	Motore Canna
MD	Motor Desague	Moteur évacuation	Drain Engine	Motor Abfluss	Motore scolo
Ms	Interruptor Micro Subida	Microrupteur Montée	Rise Microswitch	Mikroschalter Heben	Iterruttore Micro Salita
PF	Potenciómetro Selector Funciones	Potentiomètre Sélecteur Fonctions	Functions Selector Potentiometer	Potentiometer Funktionswahlschalter	Potenziometro Selettore Funzioni
RC	Resistencias Cámara	Éléments Chauffants Chambre	Chamber Heating Element	Heizwiderstände Garraum	Resistenze Camere
RG	Rele General	Relais Général	Main Relay	Hauptrelais	Relè principale
RV	Resistencias Caldera	Éléments Chauffants Chaudière	Boiler Heating Element	Heizwiderstände Boiler	Resistenze Caldaia
Tc	Sonda Cámara	Sonde Chambre	Chamber Probe	Sonde Garraum	Sonda Camera
TCN	Termostato Condensación	Thermostat Condensation	Condensation Thermostat	Thermostat Kondensierung	Termostato Condensazione
Tg	Sonda Caldera	Sonde Chaudière	Boiler Probe	Sonde Boiler	Sonda Caldaia
Tn	Sonda Núcleo	Sonde Noyau	Core Probe	Kerntemperaturmesssonde	Sonda Nucleo
TRF	Transformador	Transformateur	Transformer	Transformator	Trasformatore
TSC	Termostato Seguridad Cámara	Thermostat Sécurité Chambre	Chamber Safety Thermostat	Sicherheitsthermostat Garraum	Termostato Sicurezza Camera
TSV	Termostato Seguridad Caldera	Thermostat Sécurité Chaudière	Boiler Safety Thermostat	Sicherheitsthermostat Boiler	Termostato Sicurezza Caldaia
Tv	Sonda Vapor	Sonde Vapeur	Steam Probe	Sonde Dampf	Sonda Vapore
VAC	Bomba Vaciado	Pompe Vidange	Vacuum Pump	Ablasspumpe	Pompa scarico
MBA	Moto Bomba Aclarado	Pompe Rinçage	Rinsing Pump	Pumpe Ausspülen	Pompa Risciacquo
VC1, VC2	Ventilador Soplante Camara	Ventilateur Soufflant	Blowing Fan	Ventilator Gebläse	Ventilatore Soffiante
VCN	Electro válvula Condensación	Électrovanne Condensation	Condensation Solenoid Valve	Elektroventil Kondensierung	Elettrovalvola Condensazione
VDV	Electro válvula Llenado Caldera	Électrovanne Remplissage Chaudière	Chamber Filling Solenoid Valve	Elektroventil Füllung Boiler	Elettrovalvola di Riempiemento Caldaia
VE	Ventilador Cuadro Eléctrico	Ventilateur Tableau Électrique	Fan Switchboard	Ventilator Elektrotafel	Ventilatore Quadro Elettrico
VF1, VF2	Variador de Frecuencia	Variateur Vitesse	Speed Variator	Geschwindigkeitsregler	Variatore di Velocità
VHM	Electro válvula Humidificador	Électrovanne Humidificateur	Humidifier Solenoid Valve	Elektroventil Befeuchtungsvoerrichtung	Elettrovalvola Umidificatore
Vv	Ventilador Soplante Caldera	Ventilateur soufflement chaudière	Boiler Blowing Fan	Durchbrennenventilator zum Dampfkessel	Ventilatore Soffiante caldaia
	<b>COLORES</b>	<b>COULEURS</b>	<b>COLOUR</b>	<b>FARBEN</b>	<b>COLORE</b>
a	Azul	Bleu	Blue	Blau	Blu
am	Amarillo	Jaune	Yellow	Gelb	Giallo
am/ve	Amarillo/verde	Jaune / vert	Yellow / green	Gelb/grün	Giallo/verde
b	Blanco	Blanc	White	Weiß	Bianco
g	Gris	Gris	Grey	Grau	Grigio
m	Marrón	Marron	Brown	Braun	Marrone
n	Negro	Noir	Black	Schwarz	Nero
na	Naranja	Orange	Orange	Orange	Arancio
r	Rojo	Rouge	Red	Rot	Rosso
rs	Rosa	Rose	Pink	Rosa	Roseo
ve	Verde	Vert	Green	Grün	Verde
vi	Violeta	Violet	Purple	Violett	Viola