
DESPIECE TECNICO

**Hornos eléctricos
Fours électriques
Electric ovens
Elektro heissluftdämpfer
Forni elettrici
Fornos eletricos**

Modelos:

COE-201

VE-201

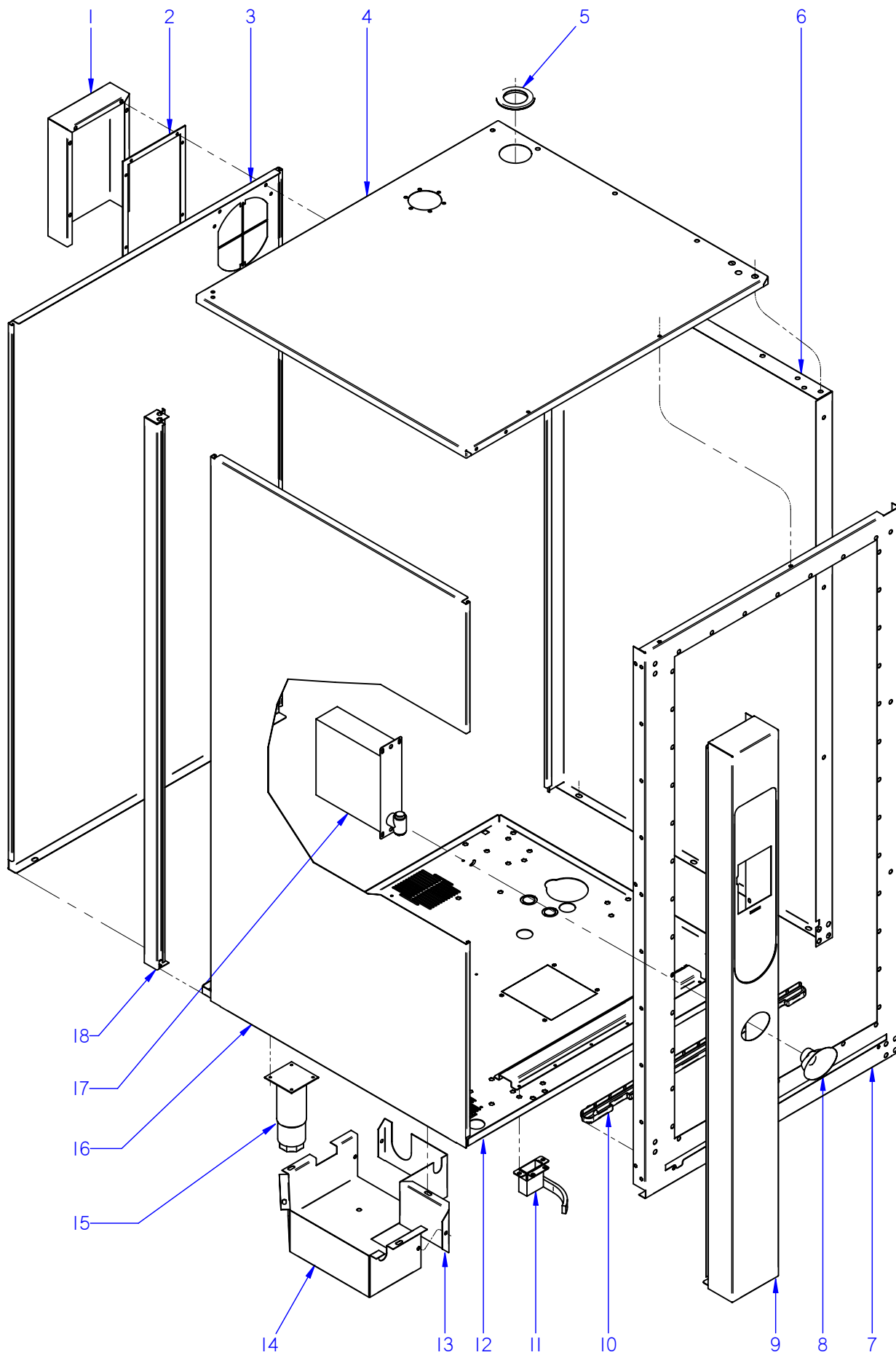
VPE-201

Octubre 2009 October

Revisado Octubre 2012 / Revised October 2012



F A G O R I N D U S T R I A L

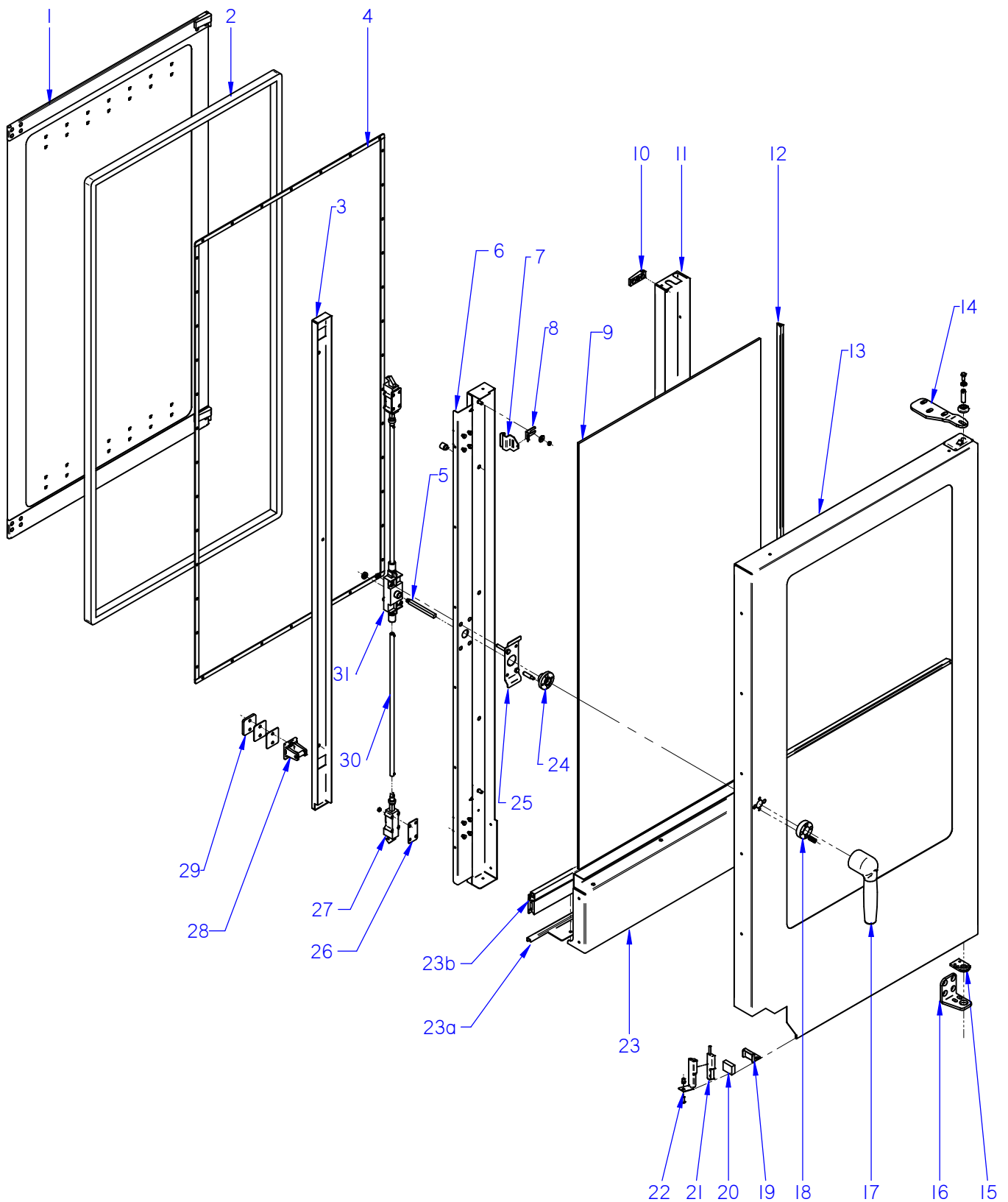


ITEM MARCADO EN COLOR = REPUESTO RECOMENDADO
 COLOURED ITEM = RECOMMENDED SPARE PART

N plano	Firma	Fecha	Aparato	MUEBLE	Lamina	Fagor Industrial S.Coop. FAGOR
C-2427	<i>(Signature)</i>	2009-10	HORNOS COE / VE / VPE-201		1	Oñate

MOD.		HORNOS / OVEN		ZONA	MUEBLE / UNIT			PLANO	C-2427
ITEM	CODIGO	DENOMINACION	TEXTO	COE-201	VE-201	VPE-201			NOTAS
1	T512807500	CHAPA SEPARACION IPX5 20	SEPARATION PLATE IPX5 20	1	1	1			
	Q221342000	REMACHE EXAGONAL M5	HEXAGONAL RIVET M.5	4	4	4			
	Q232030000	ARANDELA A5	WASHER A.5	4	4	4			
	Q242030000	ARANDELA ABANICO A5 A.304	FAN SHAPED WASHER A.5	4	4	4			
	Q012031000	TORNILLO EXAGONAL M5x10 A304	HEXAGONAL SCREW M.5x10	4	4	4			
2	T512808000	JUNTA IPX5 20/21	SEAL IPX5 20/21	1	1	1			
3	T702804000	PANEL POST. EXTERIOR 20/11	REAR EXTERIOR PANEL 20/11	1	1	1			
4	T702802000	PANEL SUPER. EXTERIOR 20	SUP. EXTERIOR PANEL20/11	1	1	1			
	Q302022000	ARANDELA 16X6X1.2 A.304	FLAT WASHER 16x6x1,2	10	10	10			
	Q242040000	ARANDELA ABANICO A6 A.304	FAN SHAPED WASHER A.6	10	10	10			
	Q012042000	TORNILLO EXAGONAL M6x15	HEXAGONAL BOLT M6x15	10	10	10			
5	R662813000	PASAMUROS CHIMENEA 101003361	FEED THROUGH FLUE PIPE 1010	1	1	1			
6	T702801000	PANEL DERECHO 20/11	RIGHT PANEL 20/11	1	1	1			
7	T722801000	PANEL FRONTAL 20/11	FRONT PANEL 20/11	1	1	1			
	Q221342000	REMACHE EXAGONAL M.5	HEXAGONAL RIVET M.5	13	13	13			
	Q232040000	ARANDELA A6	WASHER A.6	4	4	4			
	Q242040000	ARANDELA ABANICO A6 A.304	FAN SHAPED WASHER A.6	4	4	4			
	Q012042000	TORNILLO EXAGONAL M6x15	HEXAGONAL BOLT M6x15	4	4	4			
	Q222041000	REMACHE EXAGONAL M.4 INOX.	HEXAGONAL M.4 INOX.	3	3	3			
8	T922801000	EMBELLECEDOR DUCHA	SHOWER TRIM	-	1	1			
9	T702807000	PANEL PORTAMANDOS 20/11HEI	CONTROL PANEL 20/11 HEI	1	-	-			
9	T712805000	PANEL PORTAMANDOS 20/11HEM	CONTROL PANEL 20/11 HEM	-	1	-			
9	T722809000	PANEL PORTAMANDOS 20/11HEP	CONTROL PANEL 20/11 HEP	-	-	1			ELIMINADO 15.06.10
9	T722815000	PANEL PORTAMANDOS VPE-201	CONTROL PANEL VPE-201	-	-	1			INTRODUCIDO 15.06.10
S/Nº	T712806000	JUNTA PORTAMANDOS 10/11	CONTROL SEAL HORZ 10/11	1	1	1			
S/Nº	T812810000	JUNTA PORTAMAND. HORZ 10/11	CONTROL HOLDER SEAL 10/11	1	1	1			
10	T722807000	RECOGEAGUAS PLASTICO	PLAST SPRING WATER COLLE.	1	1	1			
	Q242020000	ARANDELA ABANICO A4 A.304	FAN SHAPED WASHER A.4	3	3	3			
	Q032021000	TORNILLO ALOMADO M4x10	CURVED SCREW M.4x10	3	3	3			
11	T722803000	GUIA CARRO COMP. IZDA. 20/11	COMPLE. LEFT TROLLEY GUIDE	-	1	1			
S/Nº	T722802000	GUIA CARRO COMP. DCHA. 20/11	COMPL. RIGHT TROLLEY GUIDE	-	1	1			

MOD.		HORNOS / OVEN		ZONA	MUEBLE / UNIT			PLANO	C-2427
ITEM	CODIGO	DENOMINACION	TEXTO	COE-201	VE-201	VPE-201			NOTAS
12	T712801000	BASE EXTERIOR 20/11	EXTERIOR BASE 20/11	1	1	1			
	Q221343000	REMACHE EXAGONAL M.6	HEXAGONAL RIVET M.6	52	52	52			
S/Nº	T712803000	REFUERZO BASE 20/11	REINFORCEMENT BASE	1	1	1			
	Q412002000	REMACHE AVINOX Ø4X10	AVINOX RIVET Ø4X10	12	12	12			
13	T720702000	TAPA BOMBA DE LAVADO	WASHING PUMP COVER	-	-	1			ELIMINADO 19.07.10
13	T720706000	TAPA CAJA CUBRE SIST LAVADO	COVER WASHING SYSTEM BOX	-	-	1			ELIMINADO 01.03.11
13	T330752500	TAPA CAJA CUBRE SIST LAVADO	COVER WASHING SYSTEM BOX	-	-	1			INTRODUCIDO 01.03.11
	Q152004000	TORNILLO APLAST. M5X13 A 304	FLAT SCREW M.5x13	-	-	2			
14	T720701000	CAJA BOMBA DE LAVADO	CLEANING PUMP COVER	-	-	1			ELIMINADO 19.07.10
14	T720705500	CAJA CUBRE SISTEMA LAVADO	CLEANING SYSTEM BOX	-	-	1			ELIMINADO 01.03.11
14	T330753000	CAJA CUBRE SISTEMA LAVADO	CLEANING SYSTEM BOX	-	-	1			INTRODUCIDO 01.03.11
S/Nº	T720703000	GUIA2 CAJA CUBRE SIST LAVADO	GUIDE2 WASHING SYSTEM BOX	-	-	1			INTRODUCIDO 19.07.10
S/Nº	T720703000	GUIA2 CAJA CUBRE SIST LAVADO	GUIDE2 WASHING SYSTEM BOX	-	-	1			ELIMINADO 01.03.11
S/Nº	T720704000	GUIA1 CAJA CUBRE SIST LAVADO	GUIDE1 WASHING SYSTEM BOX	-	-	1			INTRODUCIDO 19.07.10
S/Nº	T720704000	GUIA1 CAJA CUBRE SIST LAVADO	GUIDE1 WASHING SYSTEM BOX	-	-	1			ELIMINADO 01.03.11
	Q221343000	REMACHE EXAGONAL M6	HEXAGONAL RIVET M.6	-	-	4			
	Q232040000	ARANDELA A6	WASHER A.6	-	-	4			
	Q242040000	ARANDELA ABANICO A6 A.304	FAN SHAPED WASHER A.6	-	-	4			
	Q012042000	TORNILLO EXAGONAL M6x15	HEXAGONAL BOLT M6x15	-	-	4			
15	X260151000	PATA REGULABLE	REGULABLE LEG	4	4	4			
	Q232040000	ARANDELA A6	WASHER A.6	16	16	16			
	Q242040000	ARANDELA ABANICO A6 A.304	FAN SHAPED WASHER A.6	16	16	16			
	Q012043000	TORNILLO EXAGONAL M6x20	HEXAGONAL BOLT M6x20	16	16	16			
16	T702805000	PANEL IZQUIERDO 20/11	LEFT PANEL 10/21	1	1	1			
	Q302022000	ARANDELA 16X6X1.2 A.304	FLAT WASHER 16x6x1,2	7	7	7			
	Q242040000	ARANDELA ABANICO A6 A.304	FAN SHAPED WASHER A.6	7	7	7			
	Q012042000	TORNILLO EXAGONAL M6x15	HEXAGONAL BOLT M6x15	7	7	7			
17	T452809000	DUCHA	SHOWER	-	1	1			
S/Nº	T452834000	MANGO DUCHA	SHOWER HANDLE	-	1	1			INTRODUCIDO 31.05.10
S/Nº	T542821000	SOPORTE DUCHA	SHOWER SUPPORT	-	1	1			INTRODUCIDO 15.04.11
18	T702803000	PANEL CANTONERA	PROTECTOR PANEL	1	1	1			



ITEM MARCADO EN COLOR = REPUESTO RECOMENDADO
 COLOURED ITEM = RECOMMENDED SPARE PART

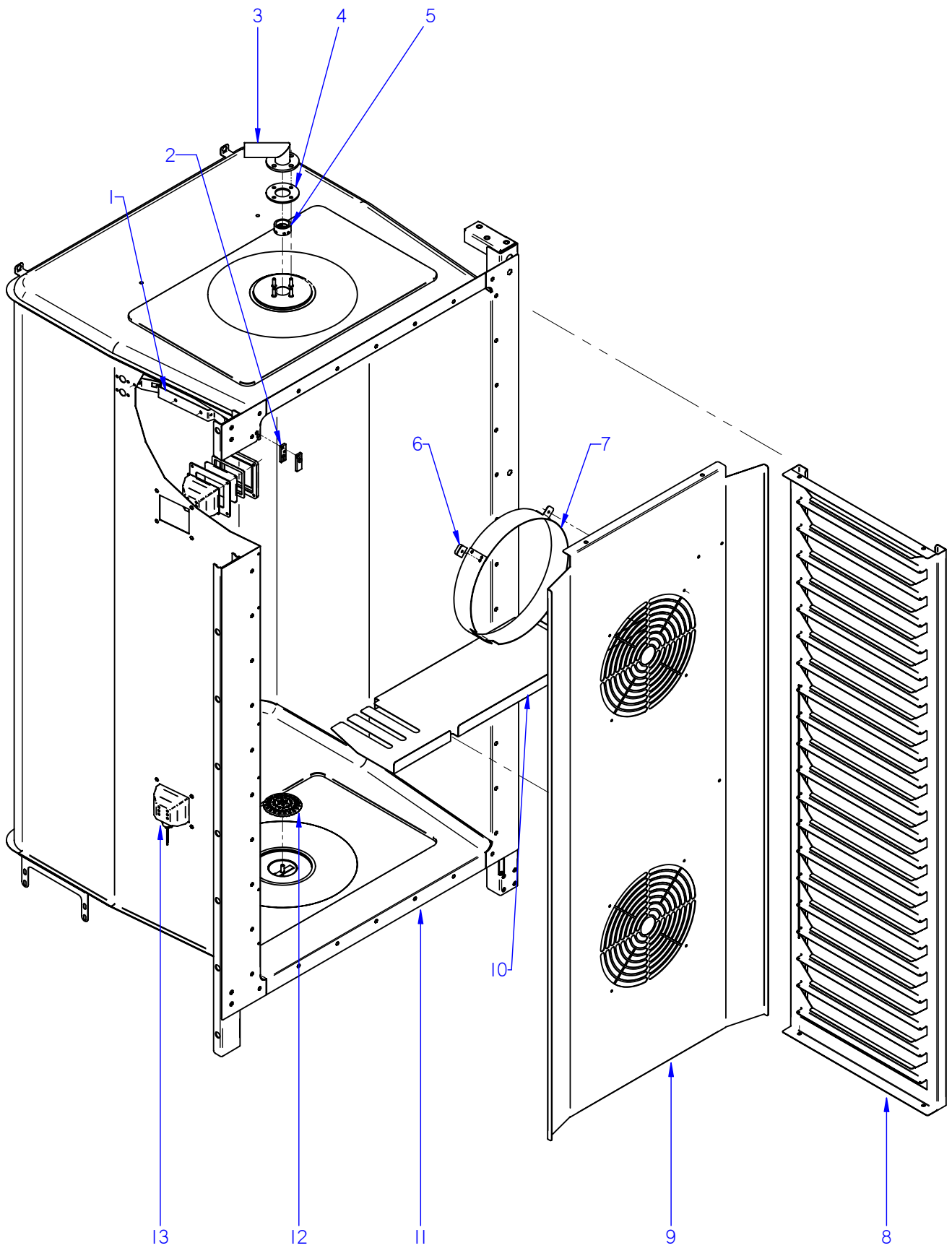
N plano	Firma	Fecha	Aparato	PUERTA	Lamina	Fagor Industrial S.Coop. FAGOR
C-2428	<i>name (benjor)</i>	2009-10	HORNOS COE / VE / VPE-201		2	Oñate

MOD.		HORNOS / OVEN		ZONA	PUERTA / DOOR			PLANO	C-2428
ITEM	CODIGO	DENOMINACION	TEXTO	COE-201	VE-201	VPE-201			NOTAS
	1100003148	KIT PUERTA 20/11 COMPL.	DOOR 20/11 KIT	1	1	1			
1	1100003125	KIT CRISTAL INTER. 20/11	20/11 INNER GLASS KIT	1	1	1			
2	R090510000	JUNTA DE PUERTA 20-11	DOOR JOINT	1	1	1			
3	T720508000	TAPA CIERRE PUERTA 20/11	DOOR CLOSING COVER 20/11	1	1	1			
	Q032021000	TORNILLO ALOMADO M4X10	CURVED SCREW M.4x10	2	2	2			
4	R090512000	FIJACION JUNTA COMP 20-11	FASTENING SEAL	1	1	1			
5	T490519000	EJE DE MANILLA PUERTA	LEVER SHAFT	1	1	1			
	T130505000	CASQUILLO	BUSHING	1	1	1			
6	T720505000	CONTRAP MANILLA COMPL 20/11	COMPLETE HANDLE DOOR 20/11	1	1	1			
	Q412002000	REMACHE AVINOX Ø4X10	AVINOX RIVET Ø4X10	12	12	12			
	T300513000	TOPE CRISTAL INTERIOR10/21	INTERIOR GLASS BUFFER 10/2	3	3	3			
	T300537000	TOPE CRISTAL INTERIOR	INTERIOR GLASS BUFFER	3	3	3			
7	T300514000	PESTILLO	LATCH	2	2	2			
	R660605000	MUELLE TENSOR	LATCH TENSOR SPRING	2	2	2			
	Q302022000	ARANDELA 16X6X1.2 A.304	FLAT WASHER 16x6x1,2	2	2	2			
	Q242030000	ARANDELA ABANICO A5 A.304	FAN SHAPED WASHER A.5	2	2	2			
	Q162030000	TUERCA EXAGONAL M5	HEXAGONAL NUT M.5	2	2	2			
8	R090558000	BASE DE PESTILLO	LATCH BASE	2	2	2			
9	R090562000	CRISTAL EXTERIOR 20/11	EXTERNAL GLASS 20/11	1	1	1			
10	R670615000	BASE DE BISAGRA	HINGE BASE	2	2	2			
	Q042032000	TORNILLO AVELLANADO M5X15	COUNTERSUNK SCREW M.5x15	2	2	2			
11	T720503000	CONTRAPUERTA BISAGRA 20/11	INNER DOOR HINGE 20/11	1	1	1			
	Q412002000	REMACHE AVINOX Ø4X10	AVINOX RIVET Ø4X10	12	12	12			
12	3715200000	JUNTA CRISTAL	WINDOW SEAL	3	3	3			
13	T720501000	PUERTA 20/11	DOOR 20/11	1	1	1			
14	T300520500	BISAGRA SUPERIOR 10/21	UPPER HINGE 10/21	1	1	1			ELIMINADO 01.03.11
14	T300520000	BISAGRA SUPERIOR 21	UPPER HINGE 21	1	1	1			INTRODUCIDO 01.03.11
	Q302025000	ARANDELA 8,4X20X1.5	WASHER 8,4X20X1.5	3	3	3			
	Q261050000	ARANDELA MUELLE A8	SPRING WASHER A8	3	3	3			
	Q012055000	TORNILLO EXAGONAL M8X30	HEXAGONAL BOLT M8X30	3	3	3			

MOD.		HORNOS / OVEN		ZONA	PUERTA / DOOR			PLANO	C-2428
ITEM	CODIGO	DENOMINACION	TEXTO	COE-201	VE-201	VPE-201			NOTAS
S/Nº	R660534000	EJE SUPERIOR	UPPER SHAFT	1	1	1			
	R662807000	ARANDELA AMARRE	DOOR ANCHORING WASHER	1	1	1			
	Z850519000	RESORTE 06329	SPRING 06329	1	1	1			
15	R660549000	GUIA EJE INFERIOR FUNDIDO	LOWER SHAFT GUIDE	1	1	1			
	Q062040000	TORNILLO AVELLANADO M6X16	COUNTERSUNK SCREW M.6x16	4	4	4			
16	T700501500	BISAGRA INFERIOR PLEGADA	LOWER FOLDER HINGE	1	1	1			
17	T130502000	MANILLA COMPLETA	HANDLE	1	1	1			
	Q032032000	TORNILLO ALOMADO M5X15	CURVED SCREW M5X15	2	2	2			
	Q271033000	ARANDELA DE SEGURIDAD Ø6	SAFETY WASHER Ø 6	1	1	1			
	Q132042000	VARILLA ROSCADA M6X15	THREADED ROD M.6x15	1	1	1			
	T130510000	TAPON Ø 16 BAGAL Ext.	COVER Ø 16 BAGAL Ext.	1	1	1			
18	T130514000	SOPORTE RESORTE	SPRING HOLDER	1	1	1			
	T130506000	RESORTE 34548	SPRING	2	2	2			
	Q032032000	TORNILLO ALOMADO M5x15	CURVED SCREW M.5x15	2	2	2			
19	T300525000	SOPORTE IMAN	MAGNET HOLDER	1	1	1			
	Q222011000	REMACHE EXAGONAL M.5	HEXAGONAL RIVET M.5	1	1	1			
	Q032031000	TORNILLO ALOMADO M5X10	CURVED SCREW M5X10	1	1	1			
20	T300526000	IMAN	MAGNET	1	1	1			
21	Z100522000	INTERRUPTOR MAGNETICO	MAGNETIC SWITCH (DOOR)	1	1	1			
22	T302819000	SOPORTE MICRO PUERTA	DOOR MAGNETIC SWITCH HOLD	1	1	1			
	Q221342000	REMACHE EXAGONAL M.5	HEXAGONAL RIVET M.5	3	3	3			
23	T720507000	CHAPA AMARRE CONTRAP 20/11	DOOR REVERSE FASTE. PLATE	1	1	1			
S/Nº	R090553000	CHAPA JUNTA CONTRAPUERTA	DOOR REVERSE SEAL PLATE	1	1	1			
23a	R090571000	SUPERIOR CIERRE PUERTA 20/11	UPPER DOOR LOCK		1	1			
23b	R090551000	JUNTA CIERRE INFERIOR 20/11	LOWER DOOR LOCK	1	1	1			
24	T130515000	GUIA MANILLA	HANDLE GUIDE	1	1	1			
	T490518000	PITON ENGANCHE PUERTA	DOOR FASTENER SPIKE	2	2	2			
25	T130511000	SUPLEMENTO SUJ. CERRADURA	LOCK FIXING SUPPLEMENT	1	1	1			
26	T080503000	SUPLEMENTO ELEMENTO CIERRE	CLOSING ELEMENT SUPPLEMEN	6	6	6			
27	T080504000	ELEMENTO CIERRE	CLOSING COMPONENT	2	2	2			

MOD.	HORNOS / OVEN	ZONA	PUERTA / DOOR	PLANO	C-2428
------	---------------	------	---------------	-------	--------

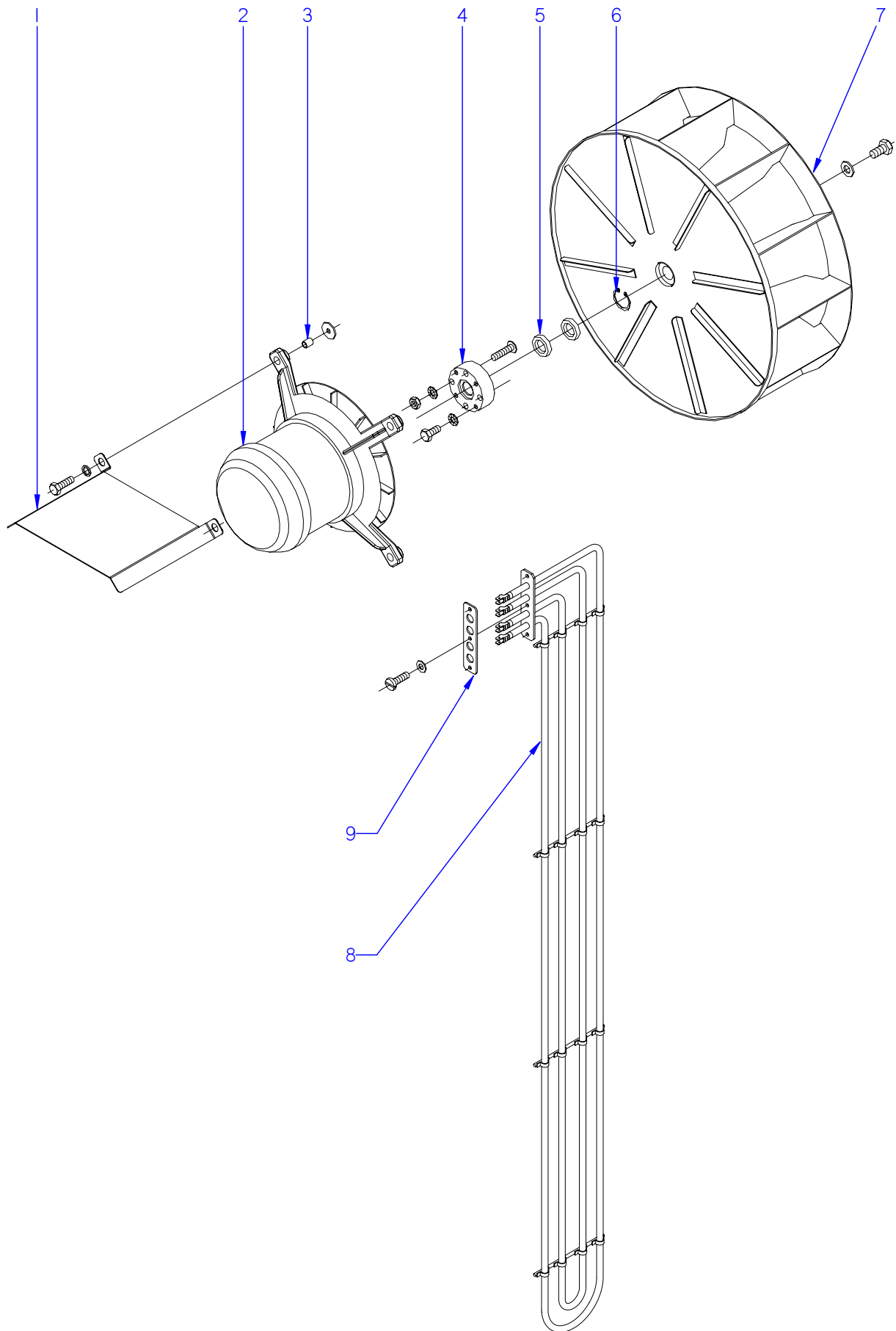
ITEM	CODIGO	DENOMINACION	TEXTOS	COE-201	VE-201	VPE-201							NOTAS
28	T110506000	ENGANCHE PUERTA	FASTENER	2	2	2							
	Q043145000	TORN. AVELLANADO 6X30 LATON	COUNTERSUNK SCREW 6X30	4	4	4							
29	T300519000	SUPLEMENTO ENGANCHE	FASTENER SUPPLEMENT	2	2	2							
S/Nº	R660538000	CALZO DE ENGANCHE	COUPLING CHOCK	4	4	4							
30	R090514000	TUBO ALARGADERA 20-11/20-21	ROD	2	2	2							
31	T130509000	MECANISMO CIERRE	CLOSING MECHANISM	1	1	1							
S/Nº	Q352001000	PASADOR DE ALETAS 2X20	COTTER PIN 2x15	4	4	4							
	Q262040000	ARAND.GROW. A6 A.304	GROWER WASHER A.6	2	2	2							
	Q162040000	TUERCA EXAGONAL M6	HEXAGONAL NUT M.6	2	2	2							
	Z608410000	CASQUILLO AMARRE TECLADO	COLLAR	2	2	2							



ITEM MARCADO EN COLOR = REPUESTO RECOMENDADO
 COLOURED ITEM = RECOMMENDED SPARE PART

N plano	Firma	Fecha	Aparato	MUEBLE INTERIOR	Lamina	Fagor Industrial S.Coop. FAGOR
C-2429	<i>name Benjo</i>	2009-10	HORNOS COE / VE / VPE-201		3	Oñate

MOD.		HORNOS / OVEN		ZONA	MUEBLE INTERIOR / INTERIOR OVEN			PLANO	C-2429
ITEM	CODIGO	DENOMINACION	TEXTO	COE-201	VE-201	VPE-201			NOTAS
1	R662683000	SOPORTE BULBO	BULB SUPPORT	1	1	1			
	Q412002000	REMACHE AVINOX Ø4x10MM	TUBULAR RIVET 4x7,5	4	4	4			
2	T133036000	BASE SUJECION SONDA	FIXING CORE PROBE	-	1	1			
S/Nº	T133037000	TAPA SUJECION SONDA	COVER CORE PROBE	-	1	1			
3	T820702000	TUBO DIFUSOR LAVADO COMP.	COMPL. WASHING DISPENSER F	-	-	1			ELIMINADO 01.08.10
	Q232030000	ARANDELA A5	WASHER A.5	-	-	4			ELIMINADO 01.08.10
	Q162030000	TUERCA EXAGONAL M5	HEXAGONAL NUT M.5	-	-	4			ELIMINADO 01.08.10
4	T330744000	CHAPA AMARRE TUBO LAVADO	WASHING PIPE FASTENING PLA	-	-	1			ELIMINADO 01.08.10
5	T360712000	PUNTA DIFUSORA LAVADO	WASHING DISPENSER POINT	-	-	1			
6	T302643000	FIJACIÓN SUPLEMENTO	FAN COVER SUPPLEM. BINDING	8	8	8			
	Q412002000	REMACHE AVINOX Ø4x10	RIVET AVINOX Ø4x10	23	23	23			
7	T132644000	SUPLEMEN. CUBREVENTILADOR	FAN COVER SUPPLEMENT.	2	2	2			
8	R092695000	PORTABANDEJAS 20/11	TRAY HOLDER 20/11	2	-	-			
S/Nº	T302692000	TOPE DE BANDEJAS 10/11	TRAY HOLDER BUFFER 10/11	4	-	-			
9	T712603000	CUBREVENTILADOR 20/11E	FAN COVER 20/11E	1	1	1			
10	R092683000	SEPARADOR CENTRAL 20-11E	CENTRAL REPARATOR 20-11E	1	1	1			
	Q232040000	ARANDELA A6	FLAT WASHER A.6	2	2	2			
	Q262040000	ARAND.GROW. A6 A.304	GROWER WASHER A.6	2	2	2			
	Q162040000	TUERCA EXAGONAL M6	HEXAGONAL NUT M.6	2	2	2			
	Q412002000	REMACHE AVINOX Ø4x10	RIVET AVINOX Ø4x10	6	6	6			
11		CUERPO INTER COMP HEP 20/11	INNER BODY HEPV	1	1	1			
12	T302695000	FILTRO DESAGÜE	DRAINAGE FILTER	1	1	1			ELIMINADO 14.09.10
12	T642657000	FILTRO DESAGÜE	DRAINAGE FILTER	1	1	1			INTRODUCIDO 14.09.10
13	T303023000	PORTALAMPARAS	LAMP HOLDER	2	2	2			
S/Nº	T303026000	JUNTA EXTERIOR LAMPARA	LAMP OUTER JOINT	2	2	2			
S/Nº	T303025000	CRISTAL LAMPARA	LAMP GLASS	2	2	2			
S/Nº	T303027000	JUNTA INTERIOR LAMPARA	LAMP INNER JOINT	2	2	2			
S/Nº	T303047000	MARCO LAMPARA	LAMP ANCHORING PLATEN	2	2	2			
S/Nº	R663013000	LAMPARA 10W-12V	LIGHT 10W 12V	2	2	2			
	Q222041000	REMACHE EXAGONAL M.4 INOX	HEXAGONAL RIVET M.4	8	8	8			
	Q032021000	TORNILLO ALOMADO M4X10	CURVED SCREW M.4x10	8	8	8			

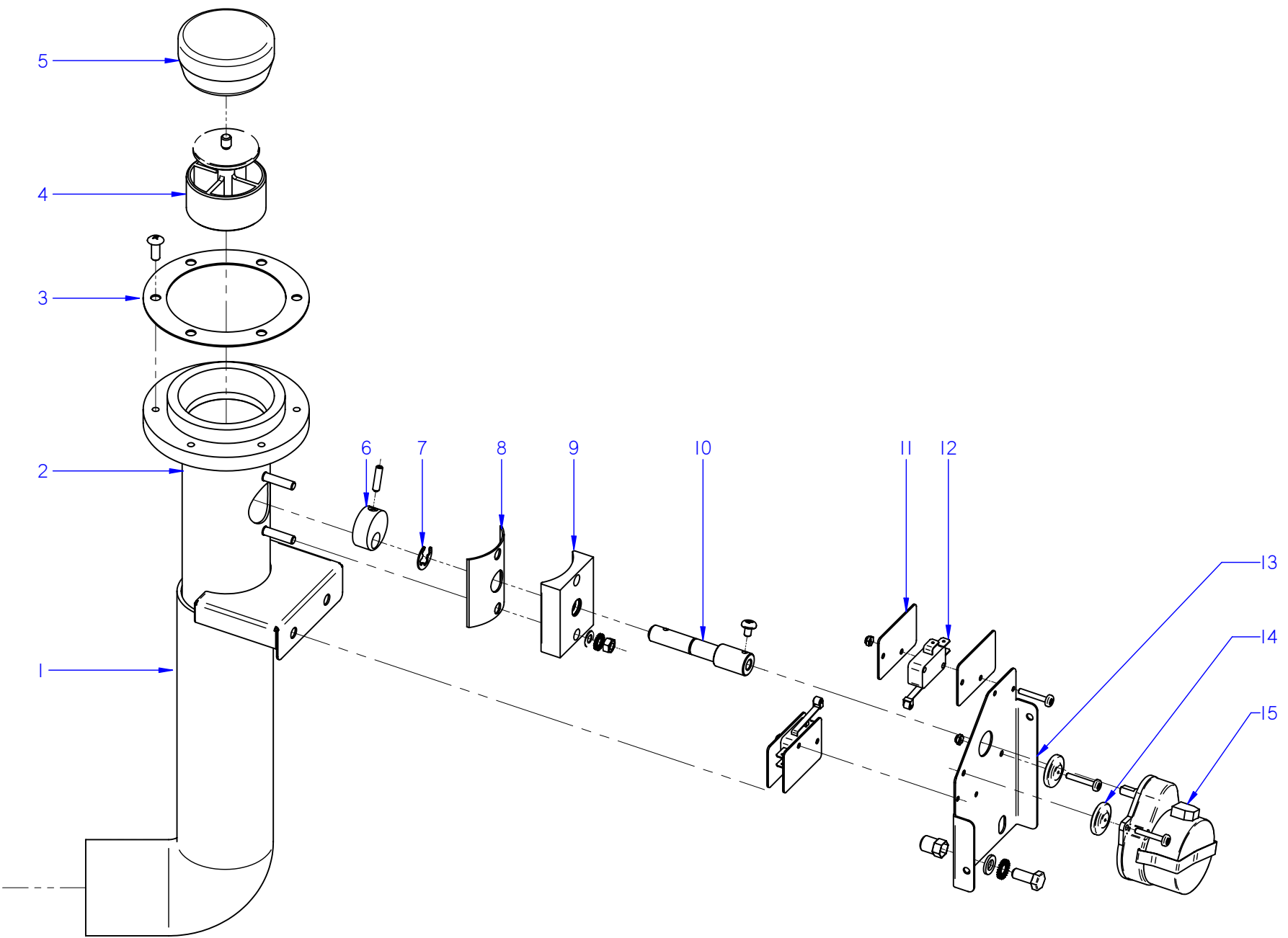


ITEM MARCADO EN COLOR = REPUESTO RECOMENDADO
 COLOURED ITEM = RECOMMENDED SPARE PART

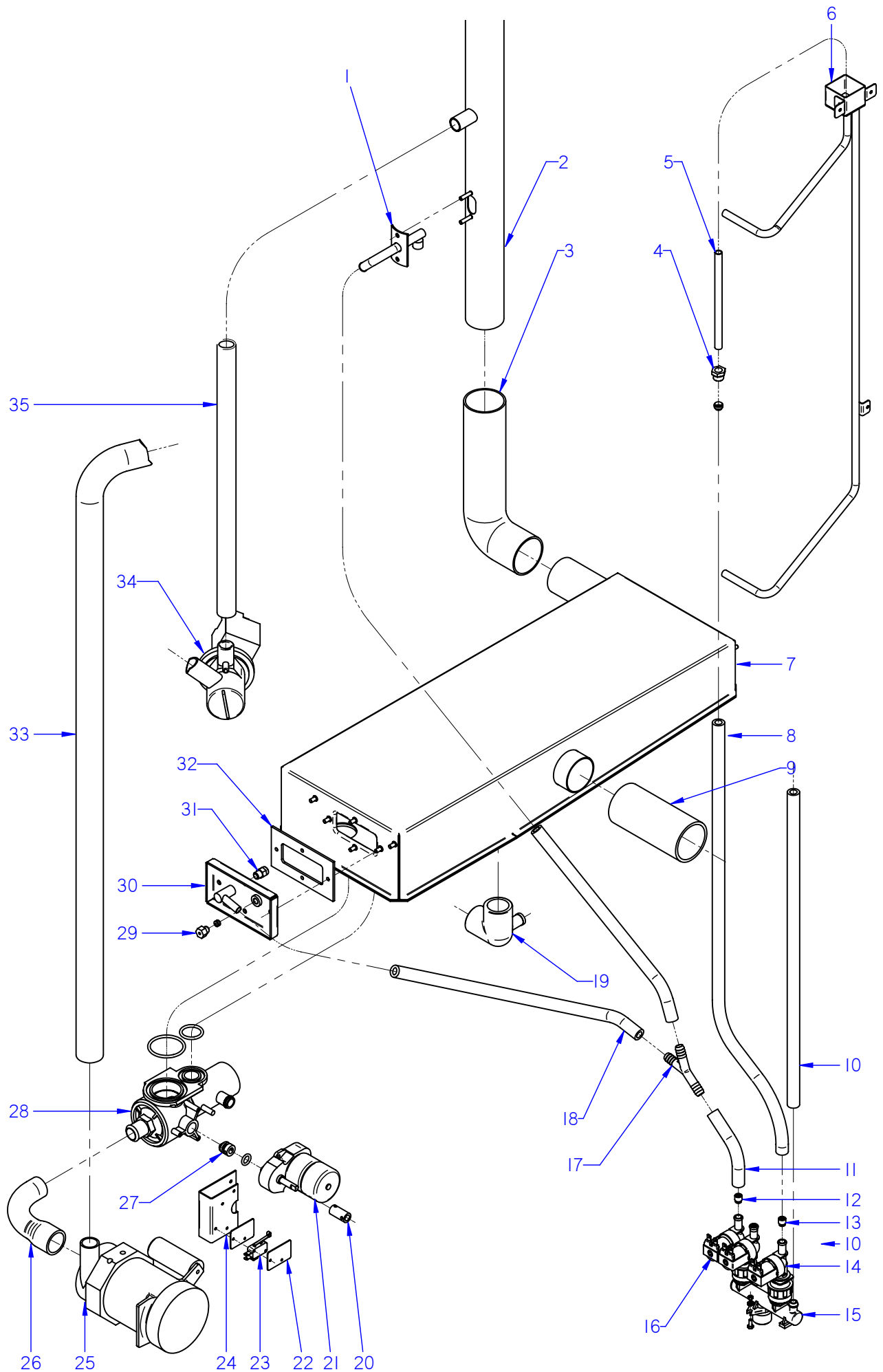
N plano	Firma	Fecha	Aparato	TURBINA	Lamina	Fagor Industrial S.Coop. FAGOR
C-2430	<i>[Signature]</i>	2009-10	HORNOS COE / VE / VPE-201		4	Oñate

MOD.		HORNOS / OVEN		ZONA		TURBINA / TURBINE				PLANO		C-2430
ITEM	CODIGO	DENOMINACION	TEXTO	COE-201	VE-201	VPE-201						NOTAS
1	T142635000	TEJADILLO MOTOR	MOTOR ROOF	2	2	2						
2	T303066000	MOTOR DOBLE GIRO 1VEL. 750W.	DOUBLE ROTATION MOTOR 1VE	2	2	2						ELIMINADO 31.03.10
2	T323040000	MOTOR DOBLE GIRO 1VEL. 750W.	DOUBLE ROTATION MOTOR 1VE	2	2	2						INTRODUCIDO 31.03.10
	Q232040000	ARANDELA A6	WASHER A6	8	8	8						
	Q262040000	ARANDELA GROW. A6	WASHER GROW. A6	8	8	8						
	Q152039000	TORNILLO EXAGONAL M6x35	HEXAGONAL SCREW M6x35	8	8	8						
3	R663057000	CASQUILLO AMARRE MOTOR	MOTOR FASTENING BUSHING	8	8	8						
4	R662684000	CASQUILLO RETEN	BUSHING GASKET	2	2	2						
	R662685000	JUNTA CASQUILLO RETEN	SEAL BUSHING GASKET	2	2	2						
	Q232030000	ARANDELA A5	WASHER A.5	8	8	8						
	Q242030000	ARANDELA ABANICO A5 A.304	FAN SHAPED WASHER A.5	8	8	8						
	Q012031000	TORNILLO EXAGONAL M5x10 A304	HEXAGONAL SCREW M.5x10	8	8	8						
5	R662627000	RETEN 17X28X7V	RETAINER 28x17x7	4	4	4						
6	Q302023000	ANILLO DE SEGURIDAD D 28X1.2	SAFETY RING 28x1,2	2	2	2						
7	T493017000	TURBINA RECTA Ø350X127 FIR	TURBINE RECTA Ø350X127 FIR	2	2	2						ELIMINADO 31.03.10
7	R703050000	TURBINA RECTA Ø350X127 HANN.	TURBINE RECTA Ø350X127 HAN	2	2	2						INTRODUCIDO 31.03.10
	R763010000	ARANDELA SEGURIDAD HANNING	HANNING SAFETY WASHER	2	2	2						
	Q012063000	TORNIL. EXAGONAL M10X20 A.304	HEXAGONAL SCREW M.10x20	2	2	2						
8	R093002000	RESISTENCIA CONVECCION 23	RESISTANCE CONVECTION 23	6	6	6						ELIMINADO 01.10.10
8	T703011000	RESISTENCIA CAMARA 201 3+3KW	CHAMBER RESISTANCE 201 3	6	6	6						INTRODUCIDO 01.10.10
9	R673063000	JUNTA RESISTENCIAS 10-11	ELEMENT SEAL 10-11	6	6	6						
	Q232040000	ARANDELA A6	FLAT WASHER A.6	18	18	18						
	Q013042000	TORNILLO EXAGO. M6x15 LATON	HEXAGONAL BOLT M6x15	18	18	18						

ITEM MARCADO EN COLOR = REPUESTO RECOMENDADO
 COLOURED ITEM = RECOMMENDED SPARE PART



MOD.		HORNOS / OVEN		ZONA		CHIMENEA / FLUEPIPE				PLANO		C-2431	
ITEM	CODIGO	DENOMINACION	TEXTO	COE-201	VE-201	VPE-201							NOTAS
1	T722608000	TUBO FLEXIBLE Ø53X360	FLEXIBLE TUBE Ø53X360	1	1	1							
	Q881307000	ABRAZADERA 40*60	CLAMP 40*60	2	2	2							
2	T815006000	CONJUNTO CHIMENEA	COMPLETE CHIMNEY	1	1	1							
	Q221343000	REMACHE EXAGONAL M.6	HEXAGONAL RIVET M.6	2	2	2							
3	T325057000	JUNTA BASE CHIMENEA	FLUEPIPE BASE SEAL	1	1	1							
	Q152004000	TORNIL. APLASTADO M5X13 A 304	FLAT SCREW M.5x13	6	6	6							
4	T815014000	GUIA RETENCION VAPORES	STEAM RETAINER GUIDE	1	1	1							
5	T325055000	RETENCION DE VAPORES	CLOSE CHIMNEY	1	1	1							
6	T325032000	LEVA EJE CHIMENEA	FLUEPIPE SHAFT CAM	1	1	1							
	Q132045000	VARILLA ROSCADA M4X16	THREADED ROD M4X16	1	1	1							
7	Q271006000	ARANDELA DE SEGURIDAD Ø8	SAFETY WASHER Ø8	1	1	1							
8	T325030000	JUNTA EJE CHIMENEA	FLUEPIPE SHAFT SEAL	1	1	1							
9	T325029000	GUIA EJE CHIMENEA	FLUEPIPE SHAFT GUIDE	1	1	1							
	Q232030000	ARANDELA A5	FLAT WASHER A.5	2	2	2							
	Q242030000	ARANDELA ABANICO A5 A.304	FAN SHAPED WASHER A.5	2	2	2							
	Q162030000	TUERCA EXAGONAL M5	HEXAGONAL NUT M.5	2	2	2							
10	T815010000	EJE CHIMENEA ELECTRICA	ELECTRIC FLUEPIPE SHAFT	1	1	1							
	Q151320000	TORNILLO ALOMADO M4X6 ZINC.	CURVED SCREW M4X6 ZINC.	1	1	1							
11	R010535000	PLACA SEPARADORA	SPACER PLATE	4	4	4							
	Q032013000	TORNILLO ALOMADO M3X20	CURVED SCREW M3X20	7	7	7							
	Q221350000	TUERCA AUTOBLOCANTE M3	SELF-LOCKING NUT M3	7	7	7							
12	R010534000	INTERRUPTOR PUERTA	DOOR SWITCH	2	2	2							
13	T815009000	ESCUA. AMARRE MOTOR CHIMEN.	FLUEPIPE MOTOR FASTENING B	1	1	1							
	Q232040000	ARANDELA A6	FLAT WASHER A.6	2	2	2							
	Q242040000	ARANDELA ABANICO A6 A.304	FAN SHAPED WASHER A.6	2	2	2							
	Q012042000	TORNILLO EXAGONAL M6X15 A304	HEXAGONAL SCREW M6X15	2	2	2							
14	Q308006000	ARANDELA DUBO 4	DUBO WASHER Ø4	3	3	3							
15	T323010000	MOTOR CHIMENEA	FLUEPIPE MOTOR	1	1	1							



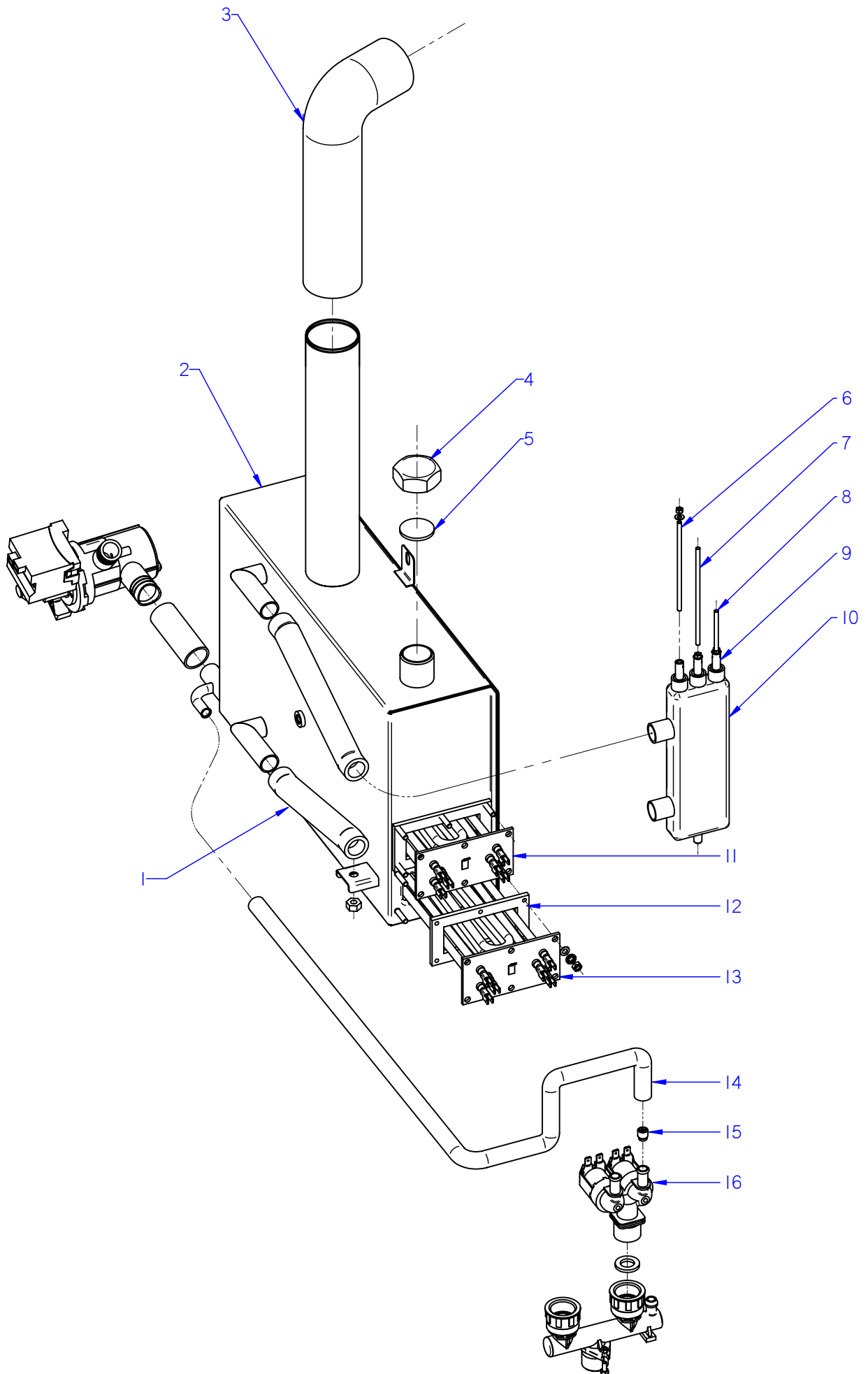
ITEM MARCADO EN COLOR = REPUESTO RECOMENDADO
 COLOURED ITEM = RECOMMENDED SPARE PART

N plano	Firma	Fecha	Aparato	CIRCUITO DE AGUA	Lamina	Fagor Industrial S.Coop. FAGOR
C-2432	<i>(Signature)</i>	2009-10	HORNOS COE / VE / VPE-201		6	Oñate

MOD.		HORNOS / OVEN		ZONA		CONDUCCIONES DE AGUA / WATER PIPES		PLANO		C-2432	
ITEM	CODIGO	DENOMINACION	TEXTO	COE-201	VE-201	VPE-201					NOTAS
S/Nº	1100003163	KIT VALVULA DE LAVADO COMP.	WASHING VALVE KIT	-	-	1					
1	T115112000	CONDUCC. VAHOS COMPLETO	COMPLETE VAPOUR DUCT	-	1	1					
SNº	R725159000	JUNTA TUBO INYECTOR	INJECTOR PIPE SEAL	-	1	1					
2	T705001000	CHIMENEA CAJA HEI-201	COMPLET FLUEPIPE HEI-201	1	-	-					
2	T715001000	CHIMENEA COMPLETA VPE-201	COMPLET FLUEPIPE VPE-201	-	1	1					
S/Nº	T115086000	TOBERA 1/8	NOZZLE 1/8	-	1	1					
3	T722608000	TUBO FLEXIBLE Ø53X360	FLEXIBLE TUBE Ø53X360	1	1	1					
	Q881307000	ABRAZADERA 40*60	CLAMP 40*60	2	2	2					
4	R695003000	MANGÜITO CIERRE	CLOSING SLEEVE	1	1	1					
	R695004000	BICONO	BICONE	1	1	1					
5	R095010000	TUBO ENTRADA INYECTOR	INJECTOR PIPE	1	-	-					
5	R665024000	TUBO INYECTOR 6/11	INJECTOR PIPE	-	1	1					
6	R095013000	INYECTOR COMPLETO HEI 20/11	COMPLETE INJECTOR HEI 2011	1	-	-					
S/Nº	R665025000	DISTRIBUIDOR INYECTOR	INJECTOR DISTRIBUTOR	2	-	-					INTRODUCIDO 01.12.09
7	T715005000	CAJA DESAGÜE LAVADO 20/11	COM. DRAINAGE BOX 20/11	1	1	-					
7	T725001000	CONJUNTO CAJA LAVADO 20/11	COMPLETE WASH BOX 20/11	-	-	1					ELIMINADO 15.11.10
	Q232030000	ARANDELA A5	WASHER A.5	4	4	4					
	Q242031000	ARANDELA ABANICO A5	FAN SHAPED WASHER A5	4	4	4					
	Q162030000	TUERCA EXAGONAL M5	HEXAGONAL NUT M.5	4	4	4					
8	3676900000	T. GOMA NEGRA Ø17*10 INYECT.	BLACK RUBBER PIPE Ø17*10	1	1	1					
	Q881302000	ABRAZADERA 12*20	CLAMP 12-20	2	2	2					
9	3716100000	TUBO SILICONA Tº Ø 53*61	HIGH SILICON PIPE Tº Ø 53*61	-	-	1					
	Q881307000	ABRAZADERA 40*60	CLAMP 40*60	-	-	2					
10	3676900000	T. GOMA NEGRA Ø17*10 INYECT.	BLACK RUBBER PIPE Ø17*10	-	1	1					
	Q881302000	ABRAZADERA 12*20	CLAMP 12-20	-	2	2					
11	3676900000	T. GOMA NEGRA Ø17*10 INYECT.	BLACK RUBBER PIPE Ø17*10	-	1	1					
	Q881302000	ABRAZADERA 12*20	CLAMP 12-20	-	2	2					
12	P443042000	REGULADOR 3 L. VERDE 254,023	REGULATOR 3 L. GREEN	1	1	1					
13	R665041000	REGULADOR 0.25L. ROJO	REGULATOR 0.25L. RED	1	1	1					
14	Z701135000	ELECTROVALVUL. SIMPLE 255.208	SIMPLE SOLENOID VALVE	-	1	1					ELIMINADO 01.04.10
14	Z701135000	ELECTROVALVUL. SIMPLE 255.208	SIMPLE SOLENOID VALVE	2	-	-					INTRODUCIDO 14.12.09

MOD.		HORNOS / OVEN		ZONA		CONDUCCIONES DE AGUA / WATER PIPES				PLANO		C-2432	
ITEM	CODIGO	DENOMINACION	TEXTO	COE-201	VE-201	VPE-201						NOTAS	
15	T325063000	ENTRADA DE AGUA COMPLETA	COMPLETE WATER INLET	1	1	1						ELIMINADO 01.04.10	
15	T645006000	ENTRADA DE AGUA COMPLETA	COMPLETE WATER INLET	1	1	1						INTRODUCIDO 01.04.10	
	Q307031000	JUNTA TUBO 14X24X3	JOINT 14X24X3	2	2	2						ELIMINADO 01.04.10	
	Q012021000	TORNILLO EXAGONAL M4x10 A304	HEXAGONAL BOLT M4x10 A304	2	2	2							
	Q242010000	ARANDELA ABANICO A3 A.304	FAN SHAPED WASHER A.3	2	2	2							
	Q162020000	TUERCA EXAGONAL M4	HEXAGONAL NUT M.4º	2	2	2							
16	P255001000	ELECTROVALVULA DOBLE	DOUBLE SOLENOID VALVE	1	1	1						ELIMINADO 14.12.09	
16	Z611123000	ELECTR. TRIPLE COD.255.641	TRIPLE SOLENOID VALVE 255.6	1	1	1						INTRODUCIDO 01.04.10	
17	Z201106000	RACORD EN Y	Y-CONNECTION	1	1	1							
18	3676900000	T. GOMA NEGRA Ø17*10 INYECT.	BLACK RUBBER PIPE Ø17*10	2	2	2							
	Q881302000	ABRAZADERA 12*20	CLAMP 12-20	4	4	4							
19	R665080000	CODO DESAGUE	DRAINAGE L-BEND	1	1	1							
20	T330733000	CASQUILLO MOTOR MICRO	MICRO MOTOR BUSHING	1	1	1							
	Q151320000	TORNILLO ALOMADO M4X6 H.ZIN.	CURVED SCREW M4X6 H.ZIN.	2	2	2							
	Q371026000	MANGUITO SUJEC. 4X14 DIN1481	HOSE FASTENING 4X14 DIN1481	1	1	1							
	Q052032000	TORNILLO ALLEN M.5x15(+)	ALLEN HEAD SCREW M.5x15(+)	2	2	2							
21	T330711000	MOTOR VALVULA	VALVE MOTOR	1	1	1							
	T330703000	JUNTA TEFLON VALVULA	TEFLON VALVE BOARD	2	2	2						INTRODUCIDO 02.11.09	
	Q042022000	TORNILLO AVELLANADO M4X15	COUNTERSUNK SCREW M.4x15	2	2	2							
22	R010535000	PLACA SEPARADORA	SPACER PLATE	4	4	4							
	Q032013000	TORNILLO ALOMADO M3X20	CURVED SCREW M3X20	4	4	4							
	Q221350000	TUERCA AUTOBLOCANTE M3	SELF-LOCKING NUT M3	4	4	4							
23	R010534000	INTERRUPTOR PUERTA	DOOR SWITCH	2	2	2							
23	T330713000	CHAPA SUJECCION MICROS	FASTENING PLATE MICROS	1	1	1						ELIMINADO 01.03.11	
23	T330754000	SOPORTE MICROS LAVADO	MICROS WASH STAND	1	1	1						INTRODUCIDO 01.03.11	
24	T330713000	CHAPA SUJECCION MICROS	FASTENING PLATE MICROS	1	1	1							
25	T360715000	MOTOBOMBA 5213E2450 FIR 50Hz	MOTOR-PUMP 5213E2450 FIR	1	1	1							
	Q232040000	ARANDELA A6	WASHER A.6	2	2	2							
	Q242040000	ARANDELA ABANICO A6 A.304	FAN SHAPED WASHER A.6	2	2	2							
	Q012043000	TORNILLO EXAGONAL M6X20	HEXAGONAL SCREW M6X20	2	2	2							

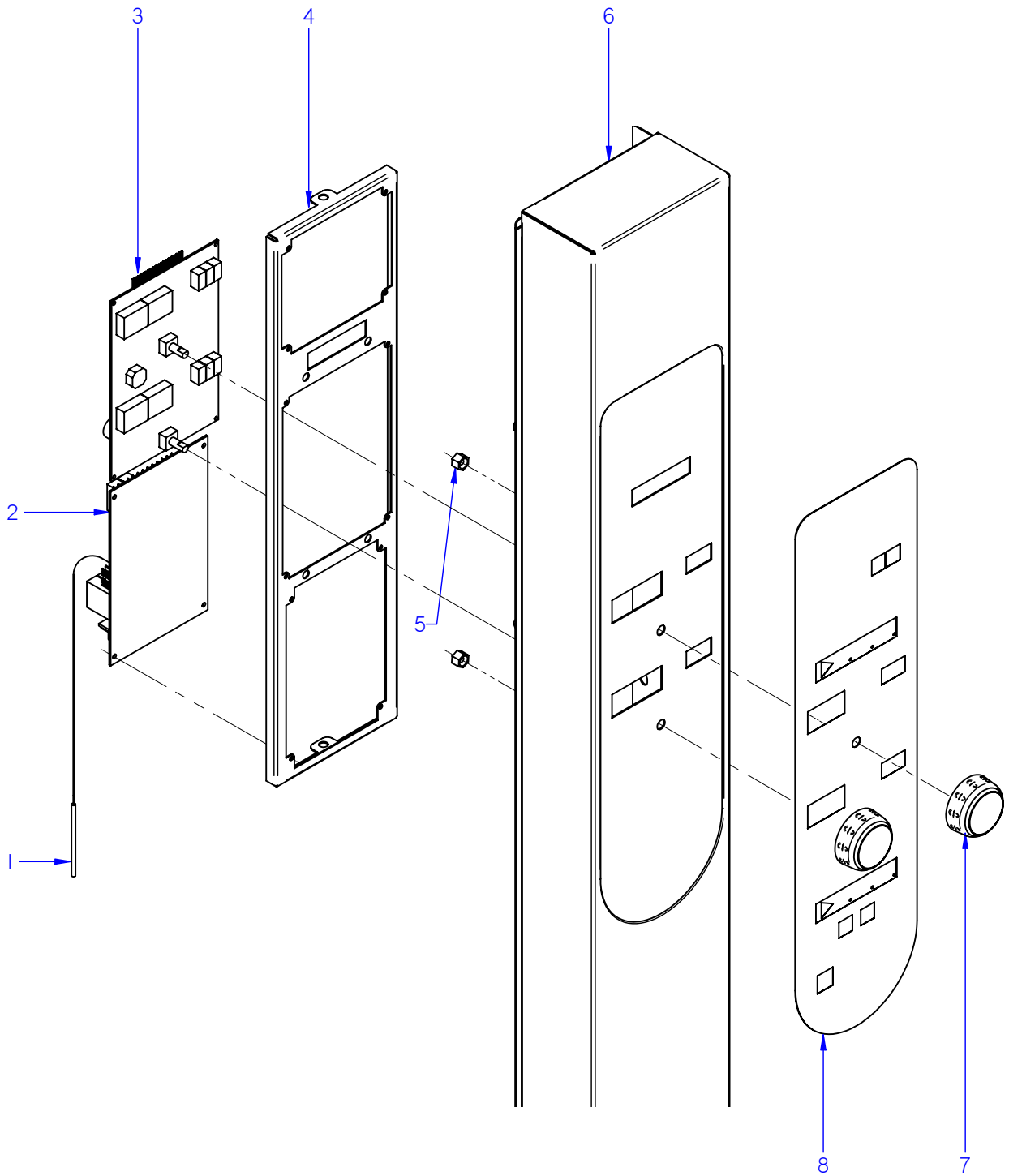
MOD.		HORNOS / OVEN		ZONA		CONDUCCIONES DE AGUA / WATER PIPES		PLANO		C-2432	
ITEM	CODIGO	DENOMINACION	TEXTO	COE-201	VE-201	VPE-201					NOTAS
26	T330731000	GOMA VALVULA BOMBA	PUMP VALVE RUBBER			1					
	Q881304000	ABRAZADERA 20-32	CLAMP 20-32			1					
	Q881305000	ABRAZADERA 25-40	CLAMP 25-40			1					
27	T330707000	PUNTA ACOPLE MOTOR A VALVUL	CONN. POINT MOTOR TO VALVE			1					
	Q307084000	JUNTA TORICA Ø11X3.5	O-RING Ø11X3.5			1					ELIMINADO 10,06,12
	Q307078000	JUNTA TORICA Ø10x3.5	O-RING Ø10x3.5			1					INTRODUCIDO 10,06,12
28	T330723000	CUERPO VALVULA COMPLETO	COMPLETE VALVE BODY			1					
	Q307080000	JUNTA TORICA Ø52X3,5	O-RING Ø52X3.5			1					
	Q307079000	JUNTA TORICA Ø33x3,5	O-RING Ø33x3.5			1					
	T330749000	JUNTA TEFLON VALVULA	TEFLON VALVE BOARD			2					INTRODUCIDO 02.11.09
	T330749000	JUNTA TEFLON VALVULA	TEFLON VALVE BOARD			1					ELIMINADO 10,10,11
	T330703000	JUNTA TEFLON VALVULA	TEFLON VALVE BOARD			2					INTRODUCIDO 02.11.09
	T330703000	JUNTA TEFLON VALVULA	TEFLON VALVE BOARD			1					ELIMINADO 10,10,11
S/Nº	Z200910000	MANGUERA DESAGUE	DRAIN HOSE			1					
29	R662629000	RACORD CIERRE SONDA	PROBE CLOSING ADAPTOR	1	1	1					
	R662652000	BICONO CIERRE SONDA	PROBE CLOSING BICONE	1	1	1					
30	T325075000	FIJACION SONDA CONDENSADOR	COMPLET. PROBE FASTENING	1	1	1					
31	T115086000	TOBERA 1/8	NOZZLE 1/8	1	1	1					
32	T325066000	JUNTA FIJACION SONDA	PROBE FASTENING SEAL	1	1	1					
	Q232030000	ARANDELA A5	FLAT WASHER A.5	8	8	8					
	Q242030000	ARANDELA ABANICO A5 A.304	FAN SHAPED WASHER A.5	8	8	8					
	Q162030000	TUERCA EXAGONAL M5	HEXAGONAL NUT M.5	8	8	8					
33	3716000000	TUBO SILICONA Tº Ø 35*27	HIGH SILICON PIPE Tº Ø 35*27			1					
	Q881305000	ABRAZADERA 25-40	CLAMP 25-40			2					
34	Z220901000	BOMBA DESAGÜE 30W	DRAINAGE PUMP 30W		1	1					
35	3715900000	TUBO SILICONA Tº Ø 26*18	HIGH SILICON PIPE Tº Ø 26*18		1	1					
	Q901311000	ABRAZADERA ELASTICA 26,7*28,1	ELAST. CLAMP 26,7*28,1		2	2					
S/Nº	Z233012000	CONDENSADOR ANTIPARASIT.	ANTIPARASIT. CONDENS.	3	4	4					INTRODUCIDO 03.05.10



ITEM MARCADO EN COLOR = REPUESTO RECOMENDADO
 COLOURED ITEM = RECOMMENDED SPARE PART

N plano	Firma	Fecha	Aparato	CIRCUITO DE VAPOR	Lamina	Fagor Industrial S.Coop. FAGOR
C-2433	<i>name Benfor</i>	2009-10	HORNOS VE / VPE-201		7	Oñate

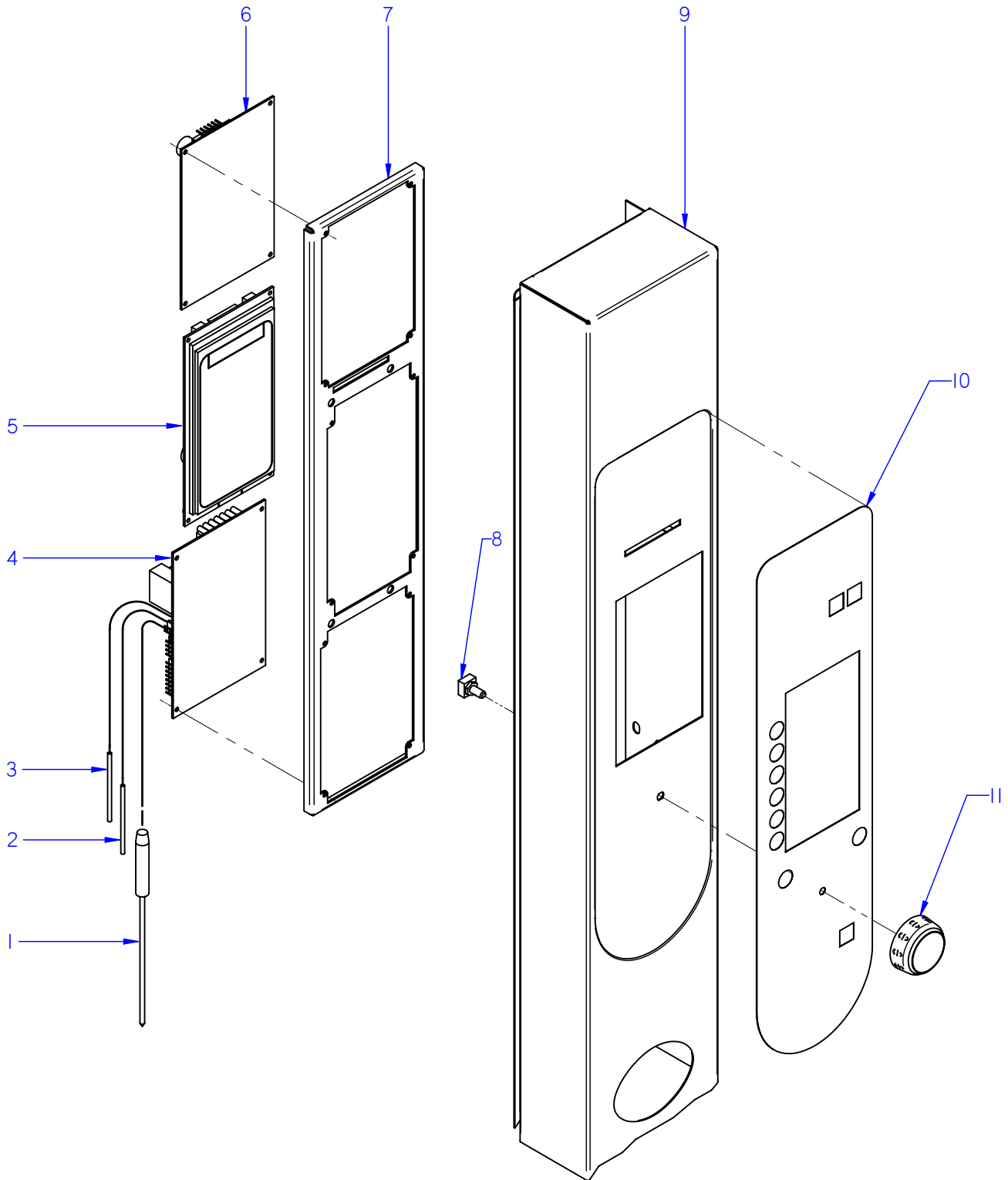
MOD.		HORNOS / OVEN		ZONA		CIRCUITO DE VAPOR / STEAM CIRCUIT				PLANO		C-2433	
ITEM	CODIGO	DENOMINACION	TEXTO	VE-201	VPE-201							NOTAS	
1	3715900000	TUBO SILICONA T° Ø 26*18	HIGH SILICON PIPE T° Ø 26*18	2	2								
	Q901311000	ABRAZADERA ELASTICA 26,7*28,1	ELAST. CLAMP 26,7*28,1	4	4								
2	1100003142	KIT GENERADOR VAPOR 10-20/11	STEAM GENERATOR 10-20 KIT	1	1								ELIMINADO 01.10.10
2	1100003144	KIT GENERADOR DE VAPOR	STEAM GENERATOR KIT	1	1								INTRODUCIDO 01.10.10
3	T722608000	TUBO FLEXIBLE Ø53X360	FLEXIBLE TUBE Ø53X360	1	1								ELIMINADO 28,06,11
3	12041855	TUBO FLEXIBLE Ø53X360 VARIL INC	FLEXIBLE TUBE Ø53X360	1	1								INTRODUCIDO 28,06,11
	Q881307000	ABRAZADERA 40*60	CLAMP 40*60	2	2								
4	R015010000	TUERCA TAPON 1"	PLUG NUT 1"	1	1								
5	R015011000	ARANDELA Ø32	WASHER Ø32	1	1								
6	R345060000	ELECTRODO ALTO	HIGH LEVEL ELECTRODE	1	1								
7	R345063000	ELECTRODO BAJO	LOW LEVEL ELECTRODE	1	1								
8	R345064000	ELECTRODO DE MASA	EARTH ELECTRODE	1	1								
	Q232020000	ARANDELA A4	FLAT WASHER A.4	3	3								
	Q162020000	TUERCA EXAGONAL M4	HEXAGONAL NUT M.4º	3	3								
9	R345069000	GUIA AISLANTE	INSULATION GUIDE	3	3								
10	T325077000	BOTE DE NIVELES	LEVELS VESSEL	1	1								ELIMINADO 13.09.10
10	T325079000	BOTE DE NIVELES	LEVELS VESSEL	1	1								INTRODUCIDO 13.09.10
	Q228051000	TUERCA EXAGONAL M8 PLASTIC	HEXAGONAL NUT M8 PLASTIC	1	1								
11	R143033000	RESISTENCIA 3x3000W 230V	RESISTOR 3x3000W 230V	1	1								ELIMINADO 13.09.10
11	T323006000	RESISTENCIA 3x3000W 230V	RESISTOR 3x3000W 230V	1	1								INTRODUCIDO 01.10.10
12	R145012000	JUNTA CIERRE RESISTENCIAS	RESISTOR SEAL	2	2								ELIMINADO 01.10.10
12	T323007000	JUNTA RESISTENCIA CALDERIN	BOILER RESISTANCE SEAL	3	3								INTRODUCIDO 01.10.10
	Q242030000	ARANDELA ABANICO A5 A.304	FAN SHAPED WASHER A.5	12	12								
	Q163030000	TUERCA EXAGONAL M5 LATON	HEXAGONAL NUT M5	12	12								
13	R143000000	RESISTENCIA 3x3000W	RESISTOR 3x3000W	1	1								ELIMINADO 01.10.10
13	T323038000	RESISTENCIA 3x3000W 230V	RESISTOR 3x3000W 230V	2	2								INTRODUCIDO 01.10.10
14	3676900000	T. GOMA NEGRA Ø17*10	BLACK RUBBER PIPE Ø17*10	1	1								
	Q881302000	ABRAZADERA 12*20	CLAMP 12-20	2	2								
15	Z601156000	REGULADOR 8L RO 254.034	REGULATOR 8L RED 254.034	1	1								
16	P255001000	ELECTROVALVULA DOBLE	DOUBLE SOLENOID VALVE	1	1								ELIMINADO 14.12.09
16	Z611123000	ELECTR. TRIPLE COD.255.641	TRIPLE SOLENOID VALVE 255.6	1	1								INTRODUCIDO 01.04.10



ITEM MARCADO EN COLOR = REPUESTO RECOMENDADO
 COLOURED ITEM = RECOMMENDED SPARE PART

N plano	Firma	Fecha	Aparato	CONJUNTO ELECTRICO PORTAMANDOS	Lamina	Fagor Industrial S.Coop. FAGOR
C-2434	<i>name (benj)</i>	2009-10	HORNOS COE-201		8	Oñate

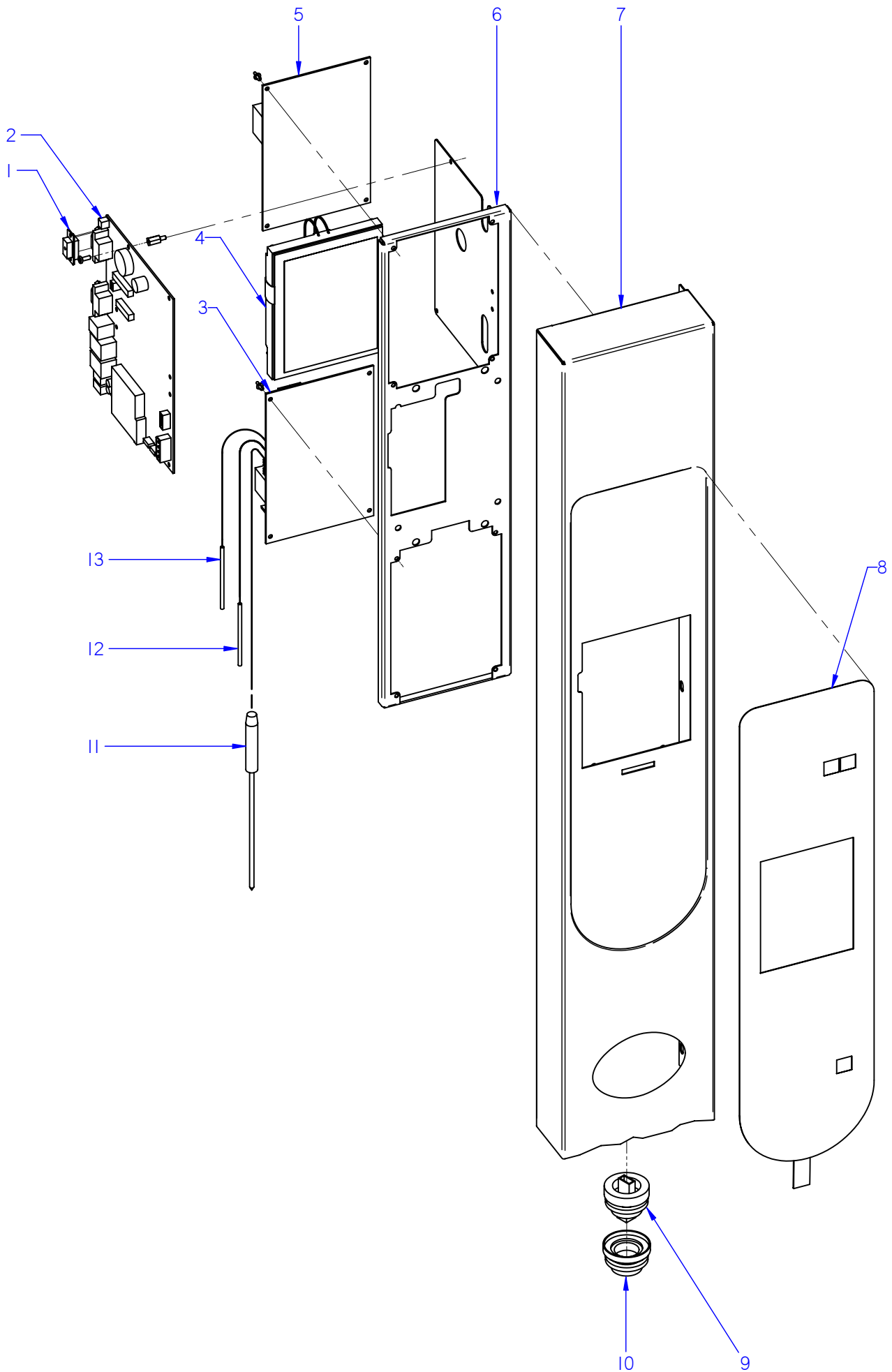
APARATO / APPLIANCE		HORNOS / OVENS		ZONA / ZONE		CONJUNTO ELECTRICO PORTAMANDOS / CONTROL HOLDER ELECTRIC UNIT							PLANO DRAWING		C-2434
ITEM	CODIGO REFERENCE	DENOMINACION	DENOMINATION	COE-201								ELIMINADO ELIMINATED	INTRODUCID. INTRODUCED	NOTAS	
1	T323024000	CONJUN. TERMOPAR VAPOR 10/2	STEAM THERMOCOUPLE UNIT 1	2											
2	T553003000	TARJETA CONTROL DE CAMARA	CHAMBER CONTROL CARD	1								16,11,11			
2	12097540	CONTROL TARJETA CAM.12V AC .	CARD CONTROL 12V AC 50/60Hz	1									16,11,11		
	Q221026000	CLIP SUJECIÓN RÁPIDA Ø 4	RAPID CONNECT CLIP Ø 4	4											
3	T533001000	TARJETA PORTAMANDOS HEI-HG	CONTROL PANEL CARD	1								16,11,11			
3	12097547	VISUALIZADOR 12V AC 50/60Hz 12	12V AC 50/60Hz 12D DISPLAY	1									16,11,11		
	Q221026000	CLIP SUJECIÓN RÁPIDA Ø 4	RAPID CONNECT CLIP Ø 4	4											
4	T932802000	SOPORTE PROGRAMADOR	PROGRAM. SUPPORT	1											
5	T732802000	DISTANCIAD. COMPONENTES 7mm	SPACER 7mm	4											
6	T702807000	PANEL PORTAMANDOS 20/11HEI	CONTROL PANEL 20/11 HEI	1											
	Q221342000	REMACHE EXAGONAL M5	HEXAGONAL RIVET M.5	3											
7	T903007000	BOTON DE MANDO	CONTROL BUTTON	2											
8	T903010000	SERIGRAFIA HEI 20/11	SERIGRAPHY HEI 20/11	1											



ITEM MARCADO EN COLOR = REPUESTO RECOMENDADO
 COLOURED ITEM = RECOMMENDED SPARE PART

N plano	Firma	Fecha	Aparato	CONJUNTO ELECTRICO PORTAMANDOS	Lamina	Fagor Industrial S.Coop. FAGOR
C-2435	<i>[Signature]</i>	2009-10	HORNOS VE-201		9	Oñate

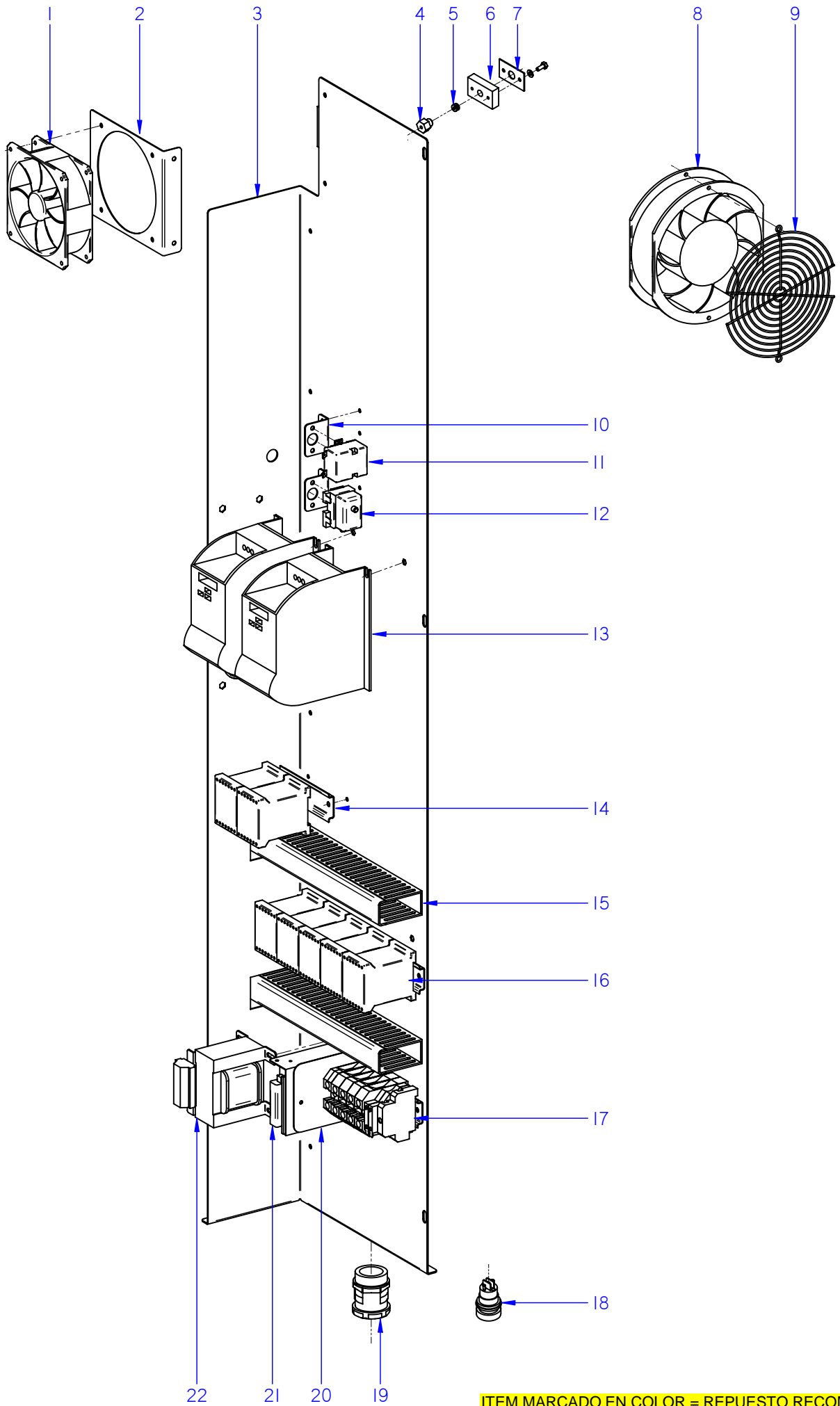
APARATO / APPLIANCE		HORNOS / OVENS		ZONA / ZONE		CONJUNTO ELECTRICO PORTAMANDOS / CONTROL HOLDER ELECTRIC UNIT							PLANO DRAWING		C-2435	
ITEM	CODIGO REFERENCE	DENOMINACION	DENOMINATION	VE-201								ELIMINADO ELIMINATED	INTRODUCID. INTRODUCED	NOTAS		
1	T623005000	CONJUNTO SONDA PARA NUCLEO	PROBE UNIT FOR CORE	1												
2	T323011000	CONJUN. TERMOPAR CAMARA (K)	CHAMBER THERMOCOUPLE UN	1												
3	T323024000	CONJUN. TERMOPAR VAPOR 10/2	STEAM THERMOCOUPLE UNIT	2												
4	T553003000	TARJETA CONTROL DE CAMARA	CHAMBER CONTROL CARD	1								16,11,11				
4	12097540	CONTROL TARJETA CAM.12V AC	CARD CONTROL 12V AC 50/60H	1									16,11,11			
	Q221026000	CLIP SUJECIÓN RÁPIDA Ø 4	RAPID CONNECT CLIP Ø 4	4												
5	T913003000	CIRC PORTAMANDOS HEM HGV	CONTROL HOLDER CIRCUIT HE	1								16,11,11				
5	12046658	VISUALIZADOR 12V AC 50/60Hz 32	12V AC 50/60Hz 32 D DISPLAY	1									16,11,11			
6	T553002000	TARJETA CONTROL CALDERA	BOILER CONTROL CARD	1								16,11,11				
6	12097545	CONTROL TARJETA CALD. 12V AC	CARD CONTROL 12V AC 50/60H	1									16,11,11			
	Q221026000	CLIP SUJECIÓN RÁPIDA Ø 4	RAPID CONNECT CLIP Ø 4	4												
7	T612805000	SOPORTE CIRCUITOS HEM10/21	CIRCUIT SUPPORT HEM10/21	1												
	Q232030000	ARANDELA A5	WASHER A.5	4												
	Q221308000	TUERCA EXAGONAL AUT M5 H. ZI	HEXAGONAL NUT M5 H. ZINC,	4												
8	T513009000	ENCODER GAMA VISUAL	VISUAL RANGE ENCODER	1												
9	T712805000	PANEL PORTAMANDOS 20/11HEM	CONTROL PANEL 20/11 HEM	1												
10	T813005000	SERIGRAFIA HEM 11	SERIGRAPHY HEM 11	1												
11	T903007000	BOTON DE MANDO	CONTROL BUTTON	1												



ITEM MARCADO EN COLOR = REPUESTO RECOMENDADO
 COLOURED ITEM = RECOMMENDED SPARE PART

N plano	Firma	Fecha	Aparato	CONJUNTO ELECTRICO PORTAMANDOS	Lamina	Fagor Industrial S.Coop. FAGOR
C-2436	<i>[Signature]</i>	2009-10	HORNOS VPE-201		10	Oñate

APARATO / APPLIANCE		HORNOS / OVENS		ZONA / ZONE		CONJUNTO ELECTRICO PORTAMANDOS / CONTROL HOLDER ELECTRIC UNIT						PLANO DRAWING		C-2436	
ITEM	CODIGO REFERENCE	DENOMINACION	DENOMINATION	VPE-201								ELIMINADO ELIMINATED	INTRODUCID. INTRODUCED	NOTAS	
1	T553007000	MOCHILA BMF	DONGLE BMF	1								15,06,10			
2	T553001000	CIRC. PORTAMANDOS GAMA ALTA	CONTROL HOLDER CIRC. HIGH	1								15,06,10			
	T133007000	DISTANCIADOR M3	SPACER M3	4											
	T133008000	TORNILLO AMARRE M3	ANCHORING SCREW M3	1											
	Q161310000	TUERCA EXAGONAL M3 H. ZINC,	HEXAGONAL NUT M3 H. ZINC,	6											
3	T553003000	TARJETA CONTROL DE CAMARA	CHAMBER CONTROL CARD	1								16,11,11			
3	12097540	CONTROL TARJETA CAM.12V AC .	CARD CONTROL 12V AC 50/60H	1									16,11,11		
	Q221026000	CLIP SUJECIÓN RÁPIDA Ø 4	RAPID CONNECT CLIP Ø 4	4											
4	T823007000	PANTALLA TACTIL 5,7	TOUCH SCREEN 5.7	1								01,06,10			
4	T553010000	PLATAFORMA VISUAL PLUS	VISUAL PLUS PLATFORM	1									15,06,10		
5	T553009000	TARJETA CONTROL CALDERA	BOILER CONTROL CARD	1								01,06,10			
5	T553002000	TARJETA CONTROL CALDERA	BOILER CONTROL CARD	1								16,11,11			
5	12097545	CONTROL TARJETA CALD. 12V AC	CARD CONTROL 12V AC 50/60H	1									16,11,11		
	Q221026000	CLIP SUJECIÓN RÁPIDA Ø 4	RAPID CONNECT CLIP Ø 4	4											
6	T822804000	SOPORTE CIRCUITOS HEP	CIRCUIT SUPPORT HEP	1								15,06,10			
6	T822815000	SOPORTE CIRCUITOS VPE-201	CIRCUIT SUPPORT VPE-201	1									15,06,10		
	Q232030000	ARANDELA A5	FLAT WASHER A.5	4											
	Q221308000	TUERCA EXAGONAL AUT M5 H. ZI.	HEXAGONAL NUT M5 H. ZINC,	4											
7	T722809000	PANEL PORTAMANDOS 20/11HEP	CONTROL PANEL 20/11 HEP	1								15,06,10			
7	T722815000	PANEL PORTAMANDOS VPE-201	CONTROL PANEL VPE-201	1									15,06,10		
8	T823008000	SERIGRAFIA HEP	SERIGRAPHY HEP	1								15,06,10			
8	T823013000	SERIGRAFIA VPE-11	SERIGRAPHY VPE-11	1								01,12,10			
8	T823019000	SERIGRAFIA VPE-11 16/9	SERIGRAPHY VPE-11 16/9	1									01,12,10		
9	T723006000	CONECTOR USB VISUAL PLUS	VISUAL PLUS USB CONNECTOR	1											
10	T723007000	TAPA USB VISUAL PLUS	VISUAL PLUS USB COVER	1											
11	T823009000	CONJUN. Sonda NUCLEO (K) 6 PL	PROBE UNIT FOR CORE	1											
12	T323011000	CONJUN. TERMOPAR CAMARA (K)	CHAMBER THERMOCOUPLE UN	1											
13	T323024000	CONJUN. TERMOPAR VAPOR 10/2	STEAM THERMOCOUPLE UNIT 1	2											



ITEM MARCADO EN COLOR = REPUESTO RECOMENDADO
 COLOURED ITEM = RECOMMENDED SPARE PART

N plano	Firma	Fecha	Aparato	CUADRO ELECTRICO	Lamina	Fagor Industrial S.Coop. FAGOR
C-2437	<i>[Signature]</i>	2009-10	HORNOS COE / VE / VPE-201		11	Oñate

MOD.		HORNOS / OVEN		ZONA		CUADRO ELECTRICO / ELECTRIC PANEL		PLANO		C-2437	
ITEM	CODIGO	DENOMINACION	TEXTO	COE-201	VE-201	VPE-201					NOTAS
1	Z103066000	VENTILADOR 230V.50-60HZ	FAN 230V 50/60HZ	2	2	2					
2	T712807000	CHAPA AMARRE VENTILADOR	FAN HOLDER PLATE	1	1	1					
	Q418022000	REMACHE NYLON 4x15	TUBULAR RIVET NYLON 4x15	4	4	4					
	Q031322000	TORNILLO ALOMADO M4x15	CURVED SCREW M.4x15	2	2	2					
	Q232020000	ARANDELA A4	WASHER A.4	2	2	2					
	Q242020000	ARANDELA ABANICO A4 A.304	FAN SHAPED WASHER A.4	2	2	2					
	Q162020000	TUERCA EXAGONAL M4	HEXAGONAL NUT M.4	2	2	2					
3	T703006000	CHAPA CUADRO ELEC 20/11	SQUARE PLATE	1	1	1					ELIMINADO 01.10.10
3	T723012000	CHAPA CUADRO ELEC VPE-201	SQUARE PLATE VPE-201	1	1	1					INTRODUCIDO 01.10.10
4	R662629000	RACORD CIERRE SONDA	PROBE CLOSING ADAPTOR	2	2	2					
S/Nº	R662662000	JUNTA CIERRE BULBO LIMITADOR	BULB LIMITER CLOSING SEAL	1	1	1					
5	R662652000	BICONO CIERRE SONDA	PROBE CLOSING BICONE	1	1	1					
6	T112625000	BASE CIERRE SONDA	FIXING CORE PROBE	2	-	-					
6	R662659000	APOYO RACORD SONDA	PROBE SUPORT. ADAPTOR	-	1	1					
7	R692812000	JUNTA PASAMUROS SIMPLE	SIMPLE FEEDTHROUGH SEAL	2	-	-					
7	R692811000	JUNTA PASAMUROS DOBLE	FEEDTHROUGH SEAL	-	1	1					
	Q232020000	ARANDELA A4	WASHER A.5	4	4	4					
	Q012021000	TORNILLO EXAGONAL M4X10	HEXAGONAL SCREW M.4X10	4	4	4					
8	T453005000	VENTILADOR 230V 20/21	FAN 230V 20/21	1	1	1					
9	T713007000	PROTECCION VENTILADOR	FAN PROTECTION	1	1	1					
	Q418022000	REMACHE NYLON 4x15	TUBULAR RIVET NYLON 4x15	4	4	4					
	Q031322000	TORNILLO ALOMADO M4x15	CURVED SCREW M.4x15	2	2	2					
	Q232020000	ARANDELA A4	WASHER A.4	2	2	2					
	Q242020000	ARANDELA ABANICO A4 A.304	FAN SHAPED WASHER A.4	2	2	2					
	Q162020000	TUERCA EXAGONAL M4	HEXAGONAL NUT M.4	2	2	2					
10	R343039000	SOPORTE TERMOS VAPOR	THERMOSTAT SUPPORT	1	2	2					
	Q412002000	REMACHE AVINOX Ø4x10MM	TUBULAR RIVET 4x7,5	2	4	4					
11	T303009000	TERMOSTATO LIMITADOR	THERMOSTAT LIMITER	1	1	1					
12	Z953035000	TERMOSTATO LIMITADOR AVISO	LIMITER THERMOSTAT WARNIN	-	1	1					
	Z953041000	TUERCA M.10x1 EGO 00.00600.075	NUT M.10x1 EGO 00.00600.075	-	2	2					

MOD.		HORNOS / OVEN		ZONA		CUADRO ELECTRICO / ELECTRIC PANEL		PLANO		C-2437	
ITEM	CODIGO	DENOMINACION	TEXTO	COE-201	VE-201	VPE-201					NOTAS
13	T323037000	VARIADOR FRECUENCIA SIE 0,37	FREQUENCY VARIATOR SIE 0.37	2	2	2					
	Q232020000	ARANDELA A4	WASHER A.5	8	8	8					
	Q242020000	ARANDELA ABANICO A4 A.304	FAN SHAPED WASHER A.4	8	8	8					
	Q032021000	TORNILLO ALOMADO M4X10	CURVED SCREW M.4x10	8	8	8					
14	Z403016000	GUIA CONTACTOR L-100	CONTACTOR GUIDE L-100	-	1	1					
	R693009000	GUIA CONTACTOR L-250	CONTACTOR GUIDE L-250	1	1	1					
	R663055000	GUIA CONTACTOR L-120	CONTACTOR GUIDE L=120	1	1	1					
15	3715520000	CANALETA UNEX 60.30.77 / 0.12	PIPING UNEX 60.30.77 / 0.12	2	2	2					
	Q412002000	REMACHE AVINOX Ø4x10MM	TUBULAR RIVET 4x7,5	16	16	16					
16	Z203050000	CONTAC. SIRIUS 3R 230V.50-60	SIRIUS 3R 230V.50-60 CONTAC.	5	7	7					ELIMINADO 01.10.10
16	Z213007000	CONTACTOR 230V.50-60	230V.50-60 CONTACTOR	1	1	1					INTRODUCIDO 01.10.10
16	X183011000	CON.3RT1024-1AN20 230V 50H	3RT1024-1AN20 230V 50H CONT	4	6	6					INTRODUCIDO 01.10.10
17	R263003000	BORNA PASO 35MM	GREY PHASE 35 TERMINAL	3	3	3					
	Z103035000	BORNA TIERRA 35MM	EARTH TERMINAL 35mm	1	1	1					
	R673010000	BORNA PASO AZUL 35MM	NEUTRAL TERMINAL 35 BLUE	1	1	1					
	R073005000	BORNA PORTAFUSIBLES	FUSE HOLDER TERMINAL	2	2	2					
	Z263303000	TOPE FINAL	END BUFFER	1	1	1					ELIMINADO 01.10.10
18	T723009000	PULSADOR SERIE MICRO	MICRO SWITCH SERIES	-	-	1					INTRODUCIDO 15.11.09
19	R033002000	PRENSA ESTOPAS	STUFFING BOX	1	1	1					
	R033025000	CONTRATUERCA (GAES)	COUNTERNUT (GAES)	1	1	1					
20	T553008000	SOPORTE ALIMENTACION	POWER SUPPLY SUPPORT	-	-	1					ELIMINADO 15.06.10
	Q232020000	ARANDELA A4	WASHER A.4	-	-	4					ELIMINADO 15.06.10
	Q242020000	ARANDELA ABANICO A4 A.304	FAN SHAPED WASHER A.4	-	-	4					ELIMINADO 15.06.10
	Q032021000	TORNILLO ALOMADO M4x10	CURVED SCREW M.4x10	-	-	4					ELIMINADO 15.06.10
21	T553005000	ALIMENT PORTAMAN VISUAL PLUS	VISUAL PLUS CONTROL HOLDER	-	-	1					ELIMINADO 15.06.10
22	R503005000	TRANSFORMADOR 230/12-0-12,0-1	TRANSFORMER 230/12-0-12,0-1	1	1	-					
22	R503005000	TRANSFORMADOR 230/12-0-12,0-1	TRANSFORMER 230/12-0-12,0-1	-	-	1					ELIMINADO 15.06.10
22	T853002000	TRANSFORMADOR 12-0-12-0,24-0	TRANSFORMER 12-0-12-0,24-0	-	-	1					INTRODUCIDO 15.06.10

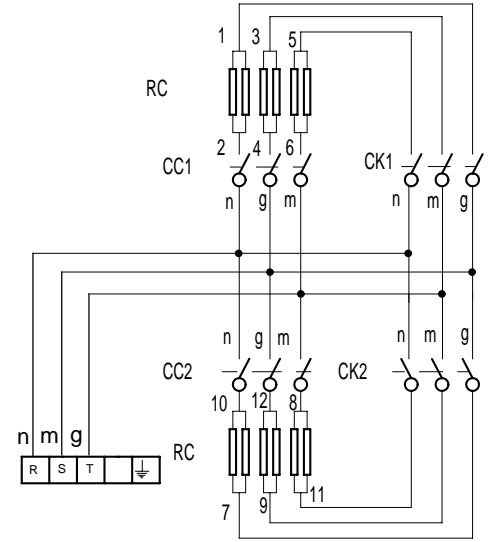
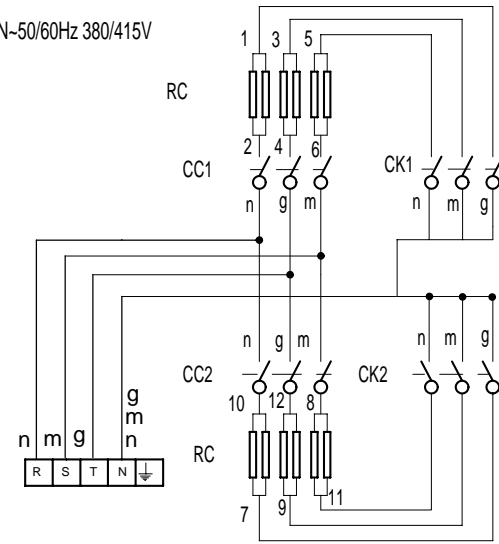
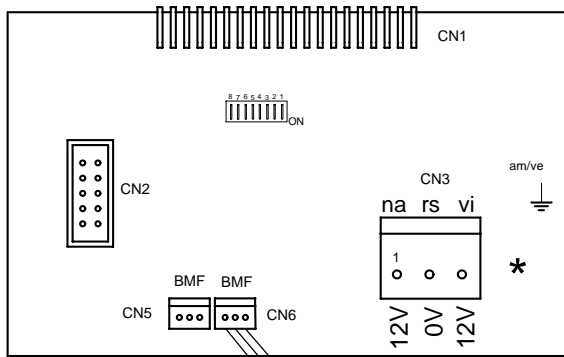
MOD.		HORNOS / OVEN	ZONA	VARIOS / MISCELLANEOUS			PLANO	
ITEM	CODIGO	DENOMINACION	TEXTO	COE-201	VE-201	VPE-201		
	T906501000	MANUAL DE INSTRUCCION. COE	INSTRUCTIO. BROCHURE COE	1	-	-		
	T916501000	MANUAL DE INSTRUCC. VE	INSTRUC. BROCHURE VE	-	1	-		
	T926501000	MANUAL DE INSTRUCC. VPE	INSTRUC. BROCHURE VPE	-	-	1		
	T703002000	ESQUEMA TEORICO CONC. 20/11	THEORETICAL DIAGRAM 20/11	1	-	-		HC-80739 ELIMINADO 01.10.10
	T713001000	ESQUEMA TEORICO VISUAL E201	THEORETIC. DIAGRAM VISUAL	-	1	-		HC-80780 ELIMINADO 01.10.10
	T723001000	ESQ. TEORICO VISUAL PLUS E201	THEOR. DIAGRAM VISUAL PLU	-	-	1		HC-80774 ELIMINADO 01.10.10
	T923015000	ESQUEMA TEORIC COE VE VPE	THEOR. DIAGRAM COE VE VPE	1	1	1		HC-82334 INTRODUCIDO 01.10.10
	T703003000	PLANO DE MONTAJE CONC. 20/11	ASSEMBLY PLAN CONC. 20/11	1	-	-		HC-80741 ELIMINADO 01.10.10
	T713002000	PLANO MONTAJE VISUAL E201	ASSEMBLY PLAN VISUAL E201	-	1	-		HC-80781 ELIMINADO 01.10.10
	T723002000	PLANO MONTAJE VIS. PLUS E201	ASSEMBLY PLAN VIS. PLUS E2	-	-	1		HC-80775 ELIMINADO 01.10.10
	T823018000	PLANO DE MONTAJE VPE 10 1	ASSEMBLY PLAN VPE 10 1	1	1	1		HD-13202 INTRODUCIDO 01.10.10
	T703008000	CABLEADO LUZ INTERIOR 20/11	INTERIOR LIGHT WIRING	1	1	1		
	T903006000	CABLEADO COMUNICACIÓN BMF	COMMUNICATION WIRING BMF	1	2	2		ELIMINADO 14.06.10
	T923016000	CABLEADO BMF	WIRING BMF	1	2	2		INTRODUCIDO 14.06.10
	T303005000	INSTAL. ELEC. HEI20/11 VISUAL	ELEC. INSTAL. HEI20/11 VISUAL	1	-	-		ELIMINADO 01.10.10
	T803005000	INSTAL. ELEC. COE-101	ELEC. INSTAL. COE-101	1	-	-		INTRODUCIDO 01.10.10
	T723004000	INSTAL. ELEC. HEI20/11 VISUAL	ELEC. INSTALL. VISUAL E 2011	-	1	1		ELIMINADO 01.10.10
	T823015000	INSTAL. ELEC. VPE-101	ELEC. INSTALL. VPE-101	-	1	1		INTRODUCIDO 01.10.10
	T703007000	CABLEADO CONV. HEI20/11 VISU.	POWER WIRE . CONV. HEI20/11 V	1	-	-		ELIMINADO 01.10.10
	T803001000	CABLEA. FUERZA CONCEPT 10/11	POWER WIRE . CONCEPT 10/11	2	-	-		ELIMINADO 01.10.10
	T603009000	CABLEA. FUERZA COE-102	POWER WIRE . COE-102	2	-	-		INTRODUCIDO 01.10.10
	T713004000	CABLEAD. FUERZA VISUAL E2011	POWER WIRE . VISUAL E2011	-	1	1		ELIMINADO 01.10.10
	T613011000	CABLEADO FUERZA VISUAL VE-102	POWER WIRE . VISUAL VE-102	-	1	1		INTRODUCIDO 01.10.10
	T703010000	CABL. RESIS. COE-201	RESISTOR WIRING COE-201	1	-	-		INTRODUCIDO 01.10.10
	T723005000	CABL. RESIS. VISUAL PLUS E2011	RESISTOR WIRING VISUAL PL.	-	1	1		ELIMINADO 01.10.10
	T723011000	CABL. RESIS. VPE-201	RESISTOR WIRING VPE-201	-	1	1		INTRODUCIDO 01.10.10
	T913006000	CAB CIRCUIT PORTAMANDOS VIS.	VIS. CONTROL HOLDER CIRCUIT	-	1	-		ELIMINADO 25.10.10
	T703004000	CABLEADO VARIADOR 2011 E	VARIATOR WIRING 2011 E	1	1	1		ELIMINADO 01.10.10
	T743002000	CABLEADO VARIADOR 201	VARIATOR WIRING 201	1	1	1		INTRODUCIDO 01.10.10
	T333009000	CABLEADO LAVADO HEP	WASH WIRING HEP	-	-	1		
	T553006000	CABLEADO FUENTE ALIMENTAC.	POWER SUPPLY WIRING	-	-	1		ELIMINADO 15.06.10

MOD.		HORNOS / OVEN		ZONA	VARIOS / MISCELLANEOUS			PLANO	
ITEM	CODIGO	DENOMINACION	TEXTO	COE-201	VE-201	VPE-201			
	T823011000	CABL ADAPT TFT VISUAL+ x/11	ADAPT. WIRING TFT VISUAL	-	-	1			ELIMINADO 15.06.10
	T723008000	CABLE USB VISUAL PLUS	VISUAL PLUS USB CABLE	-	-	1			
	T843005000	CABLEADO MOTOR	MOTOR WIRING	1	1	1			INTRODUCIDO 01.10.10
	T843005000	CABLEADO MOTOR	MOTOR WIRING	1	1	1			ELIMINADO 09,10.11
	T853003000	CABLEADO TRANSFORMA. - TFT	TRANSFORMER WIRING - TFT	-	-	1			INTRODUCIDO 15.06.10
	T523004000	CABLEADO PULSADOR RESET	RESET BUTTON WIRING	-	-	1			INTRODUCIDO 01.08.10
	T303042000	LEYENDA HORNOS	LEGEND OVENS	1	1	1			HC-76970
	T722813000	CARRO 20-11 VISUAL COMPLETO	TROLLEY 20/11 VISUAL	-	1	1			ELIMINADO 29.08.11
	T722817000	CARRO 20-11 VISUAL COMPLETO	TROLLEY 20/11 VISUAL	-	1	1			INTRODUCIDO 29.08.11
	T722810000	2011 RUEDA Ø 80 x 112 INOX	WHEEL Ø 80 x 112 INOX	-	2	2			
	T722811000	2011 RUEDA Ø80 INOX FRENO	WHEEL Ø80 WITH BRAKE	-	2	2			
	R092861000	ASA CARRO	HANDLE TROLLEY	-	1	1			

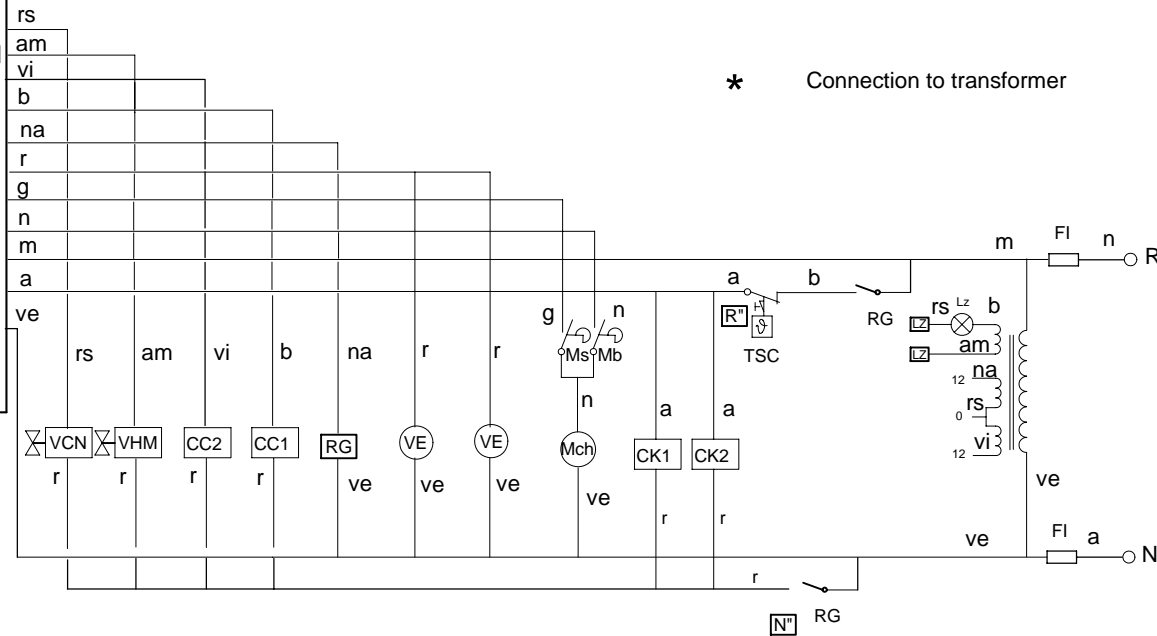
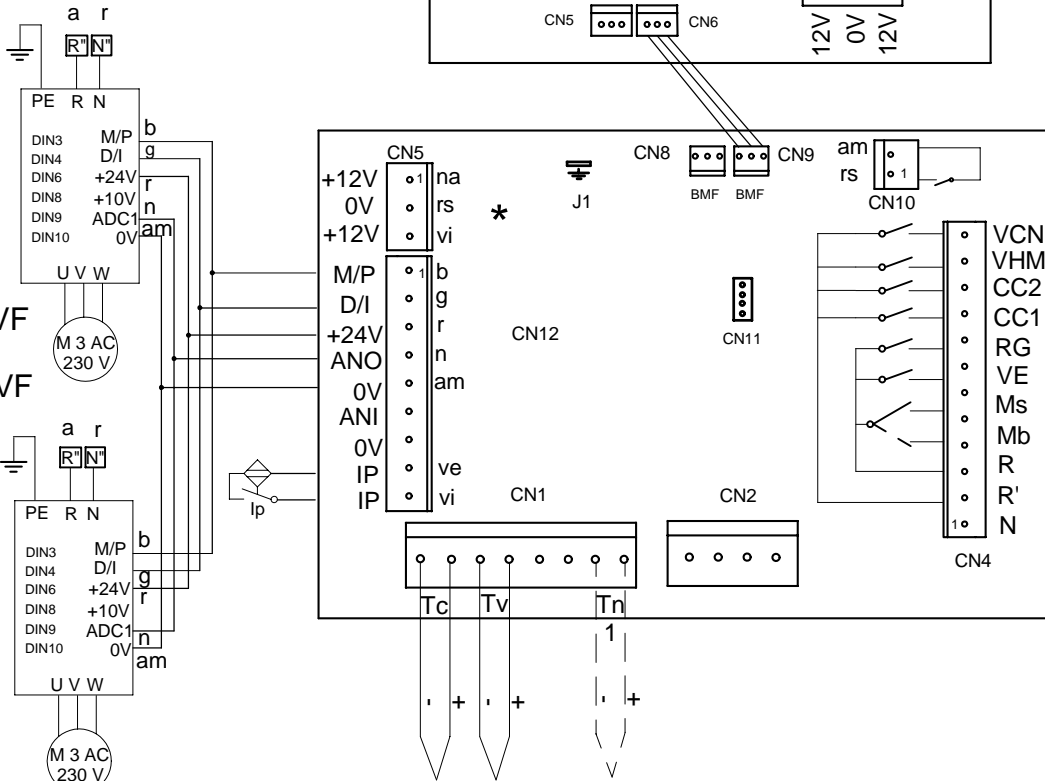
COE 201

3N-50/60Hz 380/415V

3-50/60Hz 220V

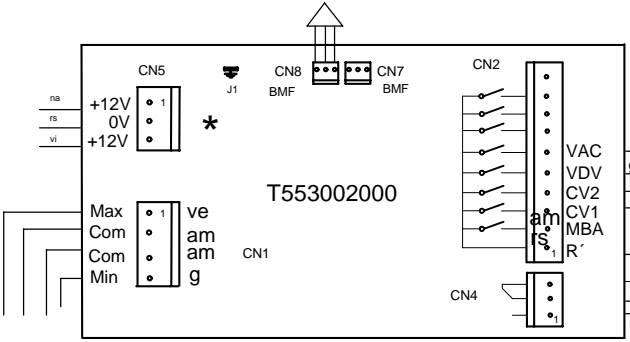
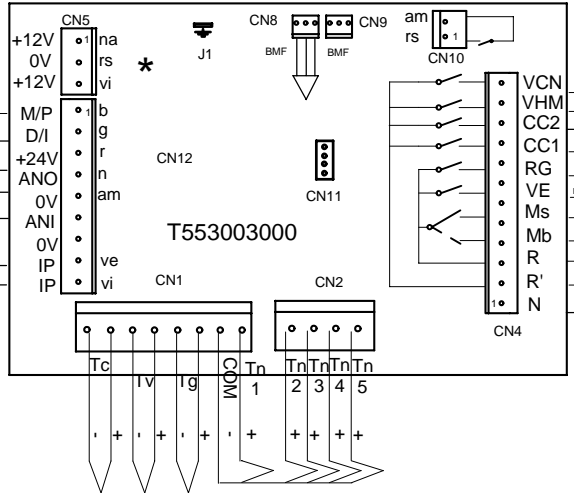
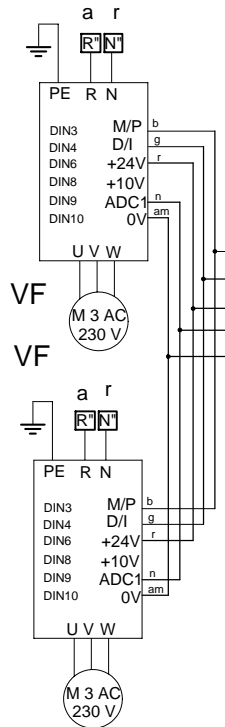
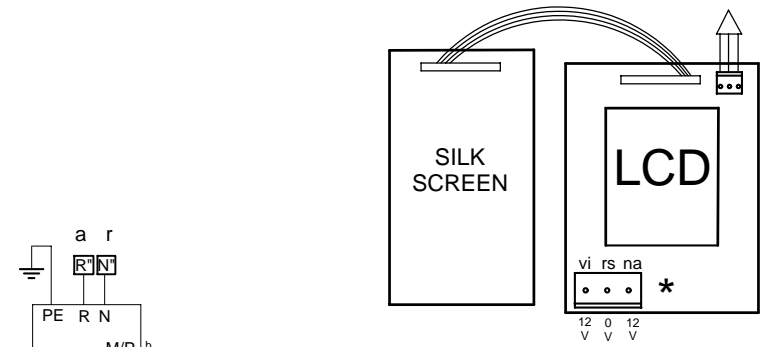


* Connection to transformer

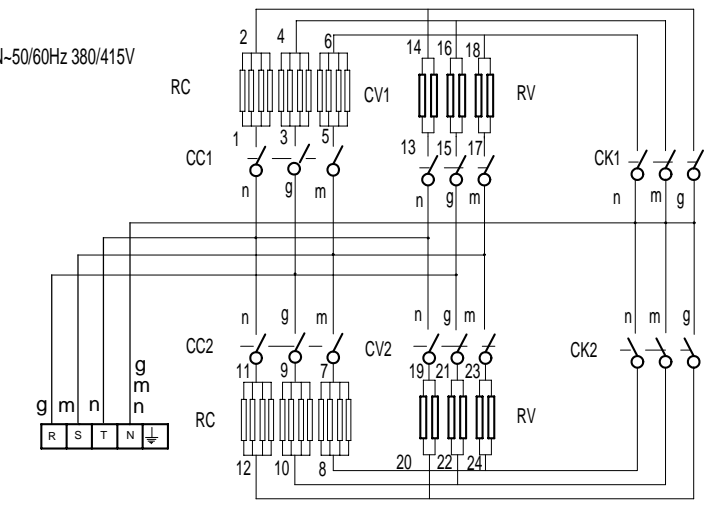


T703002000

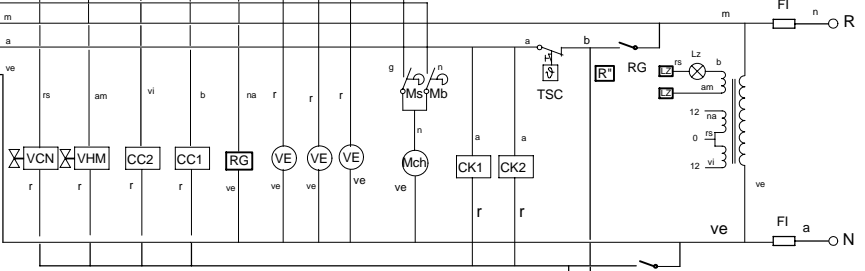
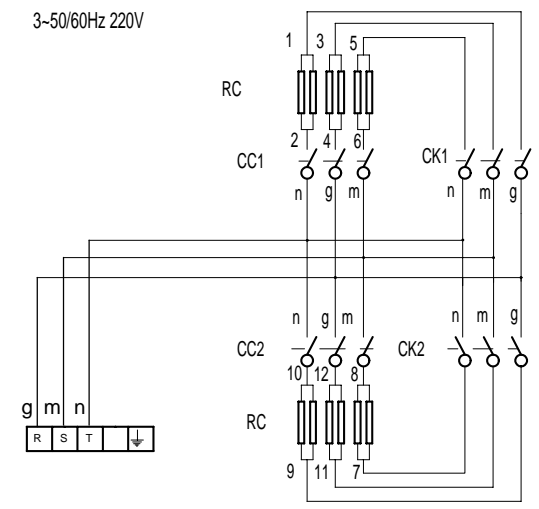
VE 201



3N-50/60Hz 380/415V



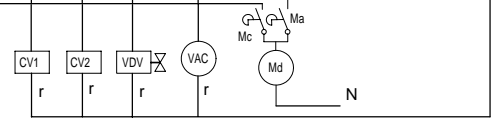
3-50/60Hz 220V



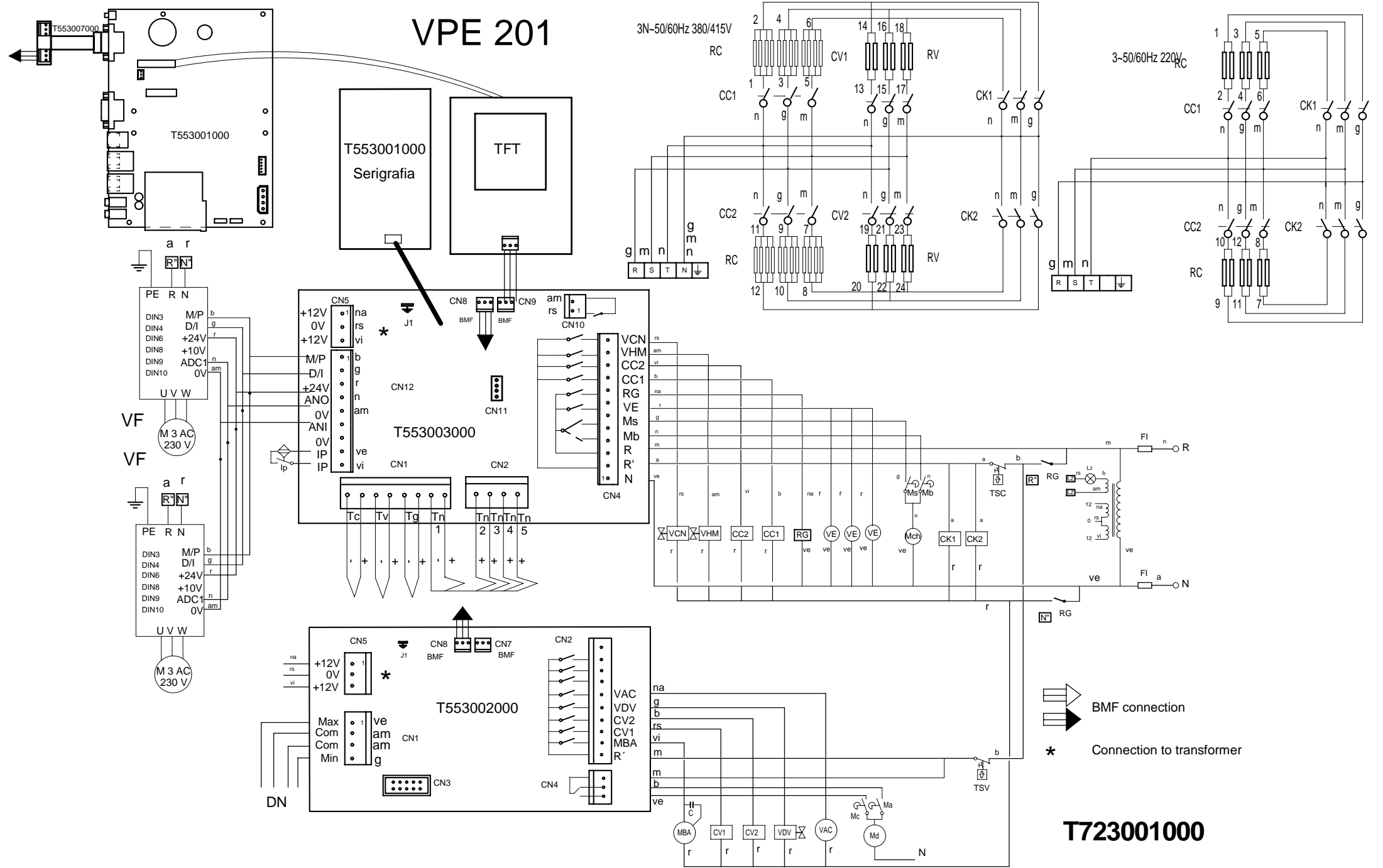
➡➡➡ BMF connection



* Connection to transformer

T713001000

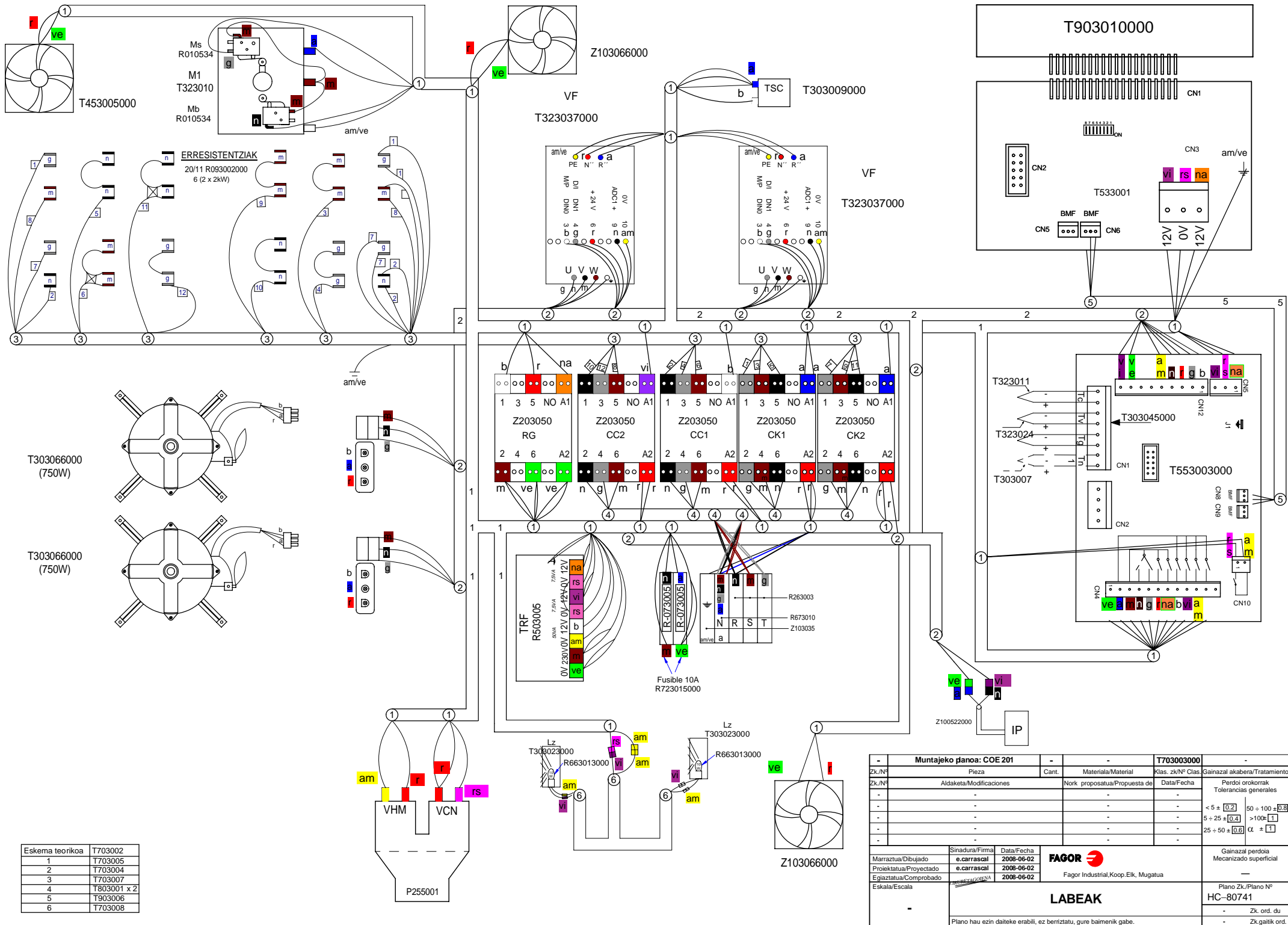


VPE 201



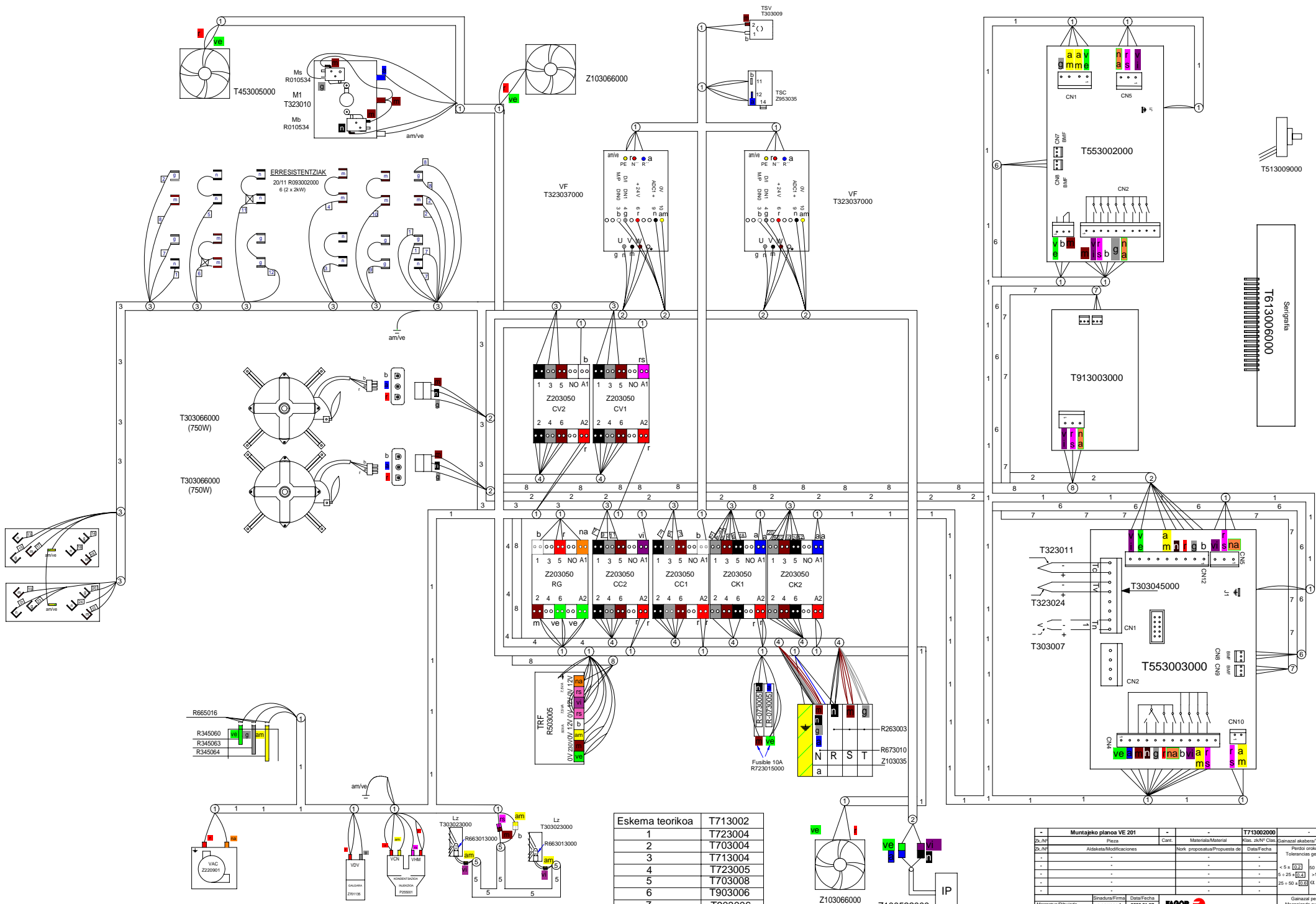
-  BMF connection
-  Connection to transformer

T723001000



Eskema teorikoa	T703002
1	T703005
2	T703004
3	T703007
4	T803001 x 2
5	T903006
6	T703008

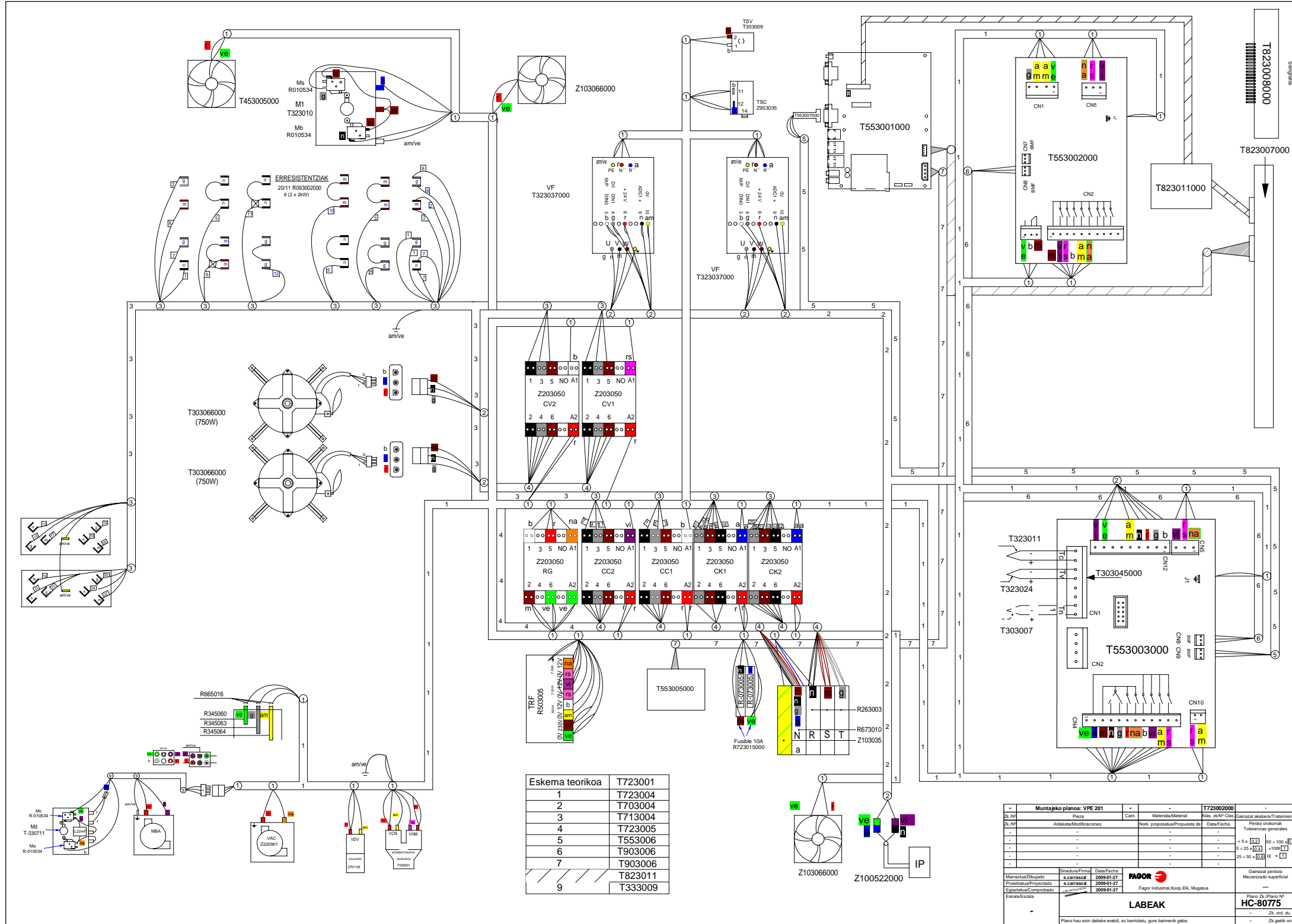
Muntaje plano: COE 201				T703003000		
Zk./Nº	Pieza	Cant.	Materiala/Material	Klas. zk/Nº Clas.	Gainazal akabera/Tratamiento	
Zk./Nº	Aldaketa/Modificaciones		Nork proposatua/Propuesta de	Data/Fecha	Perdoi orokorrak Tolerancias generales	
-	-	-	-	-	< 5 ± 0.2	50 ± 100 ± 0.8
-	-	-	-	-	5 ± 25 ± 0.4	> 100 ± 1
-	-	-	-	-	25 ± 50 ± 0.6	α ± 1
Sinadura/Firma				Data/Fecha	Gainazal perdoia Mecanizado superficial	
Marratzua/Dibujado				2008-06-02	LABEAK Fagor Industrial.Koop.Elk. Mugatua	
Proiektatua/Proyectado				2008-06-02		
Egiaztatua/Comprobado				2008-06-02		
Eskala/Escala						
Plano hau ezin dateke erabili, ez berritzatu, gure baitanik gabe.					Plano Zk./Plano Nº HC-80741	
					- Zk. ord. du	
					- Zk.gaitik ord.	



Eskema teorikoa

Linea	Teorikoa	T713002
1	T723004	T713002
2	T703004	T713004
3	T703004	T723005
4	T723005	T703008
5	T703008	T903006
6	T903006	T903006
7	T903006	T903006
8	T903006	T903006

-	Muntaketa plana VE 201	-	-	-	T713002000	-
Zk.Nº	Pieza	Cant.	Materiela/Material	Klas. zk/Nº	Clas.	Gainazal akaberu/Tratamendu
Zk.Nº	Aldaketak/Modifikazioak		Norik. proposatua/Propuesta de	Data/Fecha		Perditu erorkorak
						Tolerantzia generatzen
						± 0,5 + [0,2]
						0 + 0,25 - [0,1]
						25 + 0,0 + [0,1] x ± [0,1]
Materiaia/Eligatzea	Sinadura/Firma	Data/Fecha				Gainazal pentada
Proiektatzaile/Proyector	Ezarritzailea	2009-01-27				2009-01-27
Eligatzailea/Comprobado	Eligatzailea	2009-01-27	Fagor Industrial Koop Elk. Mugatuak			
Eskatzailea/Escala						Plano Zk. 00000000 HC-80781
			Plano hau ezin duteke enabli, ez berrintzatu, gure baimenik gabe.			-

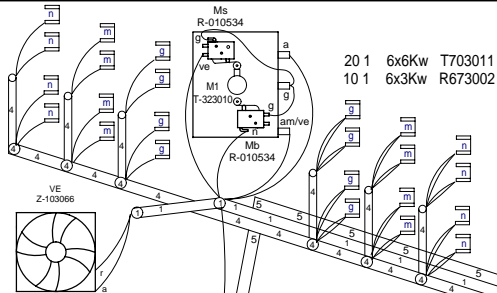


Eskema teorikoa	T723001
1	T723004
2	T703004
3	T713004
4	T723005
5	T553006
6	T903006
7	T903006

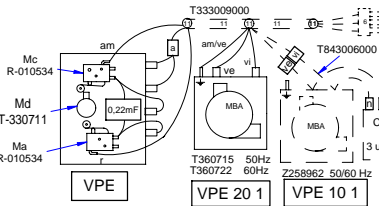
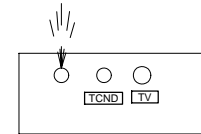
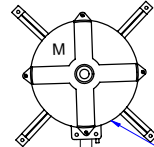
	T823011
9	T333009

Muntakjo plano: VPE 201				T723002000
Zk.Nr	Pieza	Cant.	Materia/Material	Klas. zk/Nº Clas.
Zk.Nr	Aldaketa/Modificaciones		Nºrk. proposatua/Propuesta de	Data/Fecha
				Pertxo erokorrak
				Tolerantzia generales
				= 5 x [0.2] 10 x 100 x [0.3]
				5 x 25 x [0.2] 5x100x [0.3]
				25 x 50 x [0.2] 5 x [0.3]
Materiaia/Oligado			Sinadura/Firma	Data/Fecha
Proiektatua/Proyectado			e.garrasca	2009-01-27
Egiazatua/Comprobado			garrasca	2009-01-27
Eskatza/Escala				
FAOOR				Ganazal pentada
Fagor Industrial, Koop. Elk., Mugatuas				Mecanizado superficial
LABEAK				Plano de: HC-80775
				2k. ord. du.
				2k. galik ord.

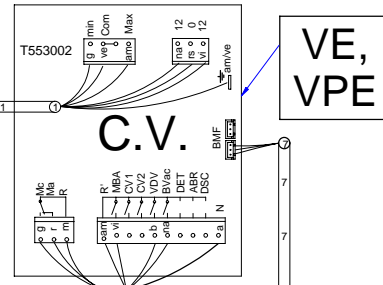
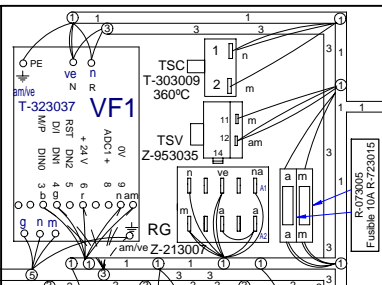
Plano hau ezin daterke erabili, ez berritatu, gure baimenik gabe.



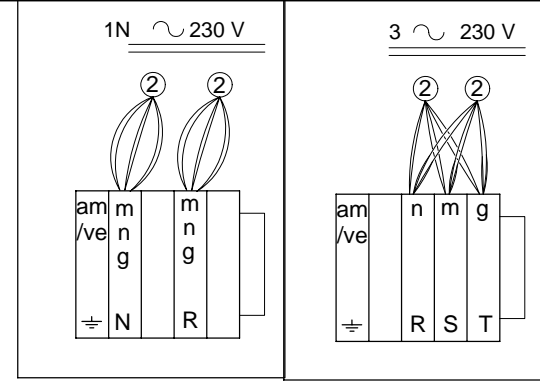
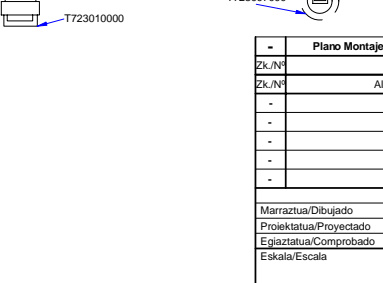
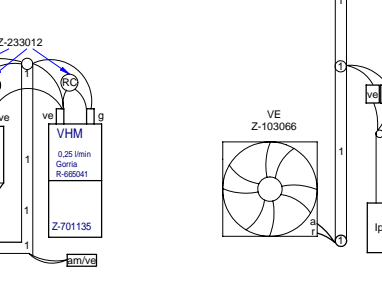
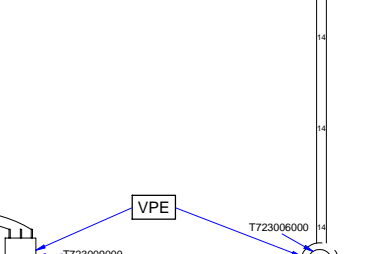
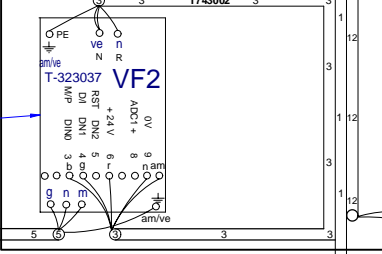
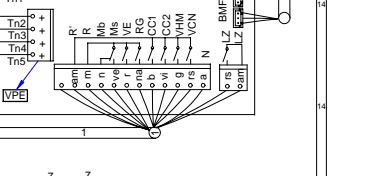
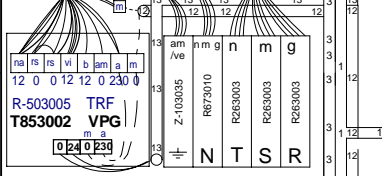
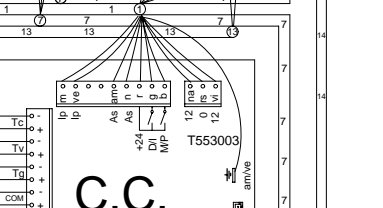
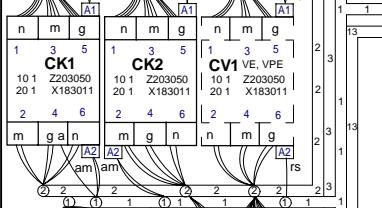
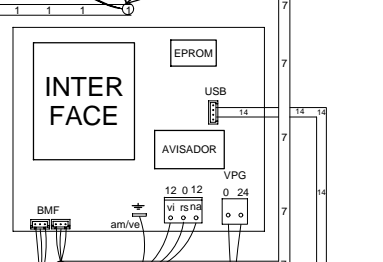
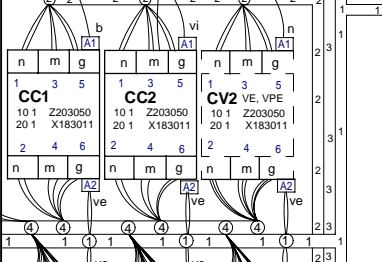
MOTOR
400 V 230 V
1021 T-323022 T-323023



20 1



VE,
VPE



	COE		VE, VPE	
	10 1	20 1	10 1	10 1
Genrl	1	T803005000	T823015000	
FUERZA	2	T803006	T603009	T613011
VF2	3		T743002	
Resist	4	T803007	T703010	T723011
Prolong	5		T843005	
BMF	7		T923016	
Lz	10			
Lav (VPE)	11			T333009
Rst (VPE)	12			T523004
TFT (VPE)	13			T853003
USB (VPE)	14			T723008
Esquema	-			T643005000
Leyenda	-			T303042000

COPIAR PARAMETROS DESDE EL BOP AL VARIADOR

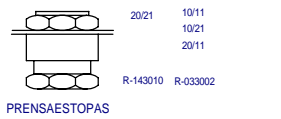
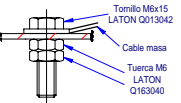
P0003 = 3
P0010 = 30
P0803 = 1

SOLO USAR CUANDO EL BOP SE HA BORRADO

P0802 desde Variador a BOP

Variador de Siemens.
Pulsar [F] para entrar o salir de los Parmtros.
Nota. Si se modifica algun valor del nivel Basico, hay que volver a grabar el nivel 3.

P0010 = 1 Para inicio programación. (Nivel Basico)
P0100 = 0 (Valor en KW 50Hz Europa)
P0304 = 230 (Vn V)
P0305 = 1.8 (Int A)
P0307 = 0.37 (Pn KW)
P0310 = 50 (Fn Hz)
P0311 = 1400 (rpm Nom)
P0700 = 2 (Terminal)
P1000 = 2 (Consigna ADC)
P1080 = 25 (F.min Hz)
P1082 = 50 (F.Max Hz)
P1120 = 5" (Ton ")
P1121 = 5" (Toff ")
P3900 = 1 (Fin de la programación y grabación de datos.)
P0003 = 3 Nivel 3 Expertos.
P0005 = 27 (Visualización - Corriente de salida)
P0611 = 16000 (Tiempo de activación de sobrecarga Seg.)
P0640 = 150 (Sobrecarga de corriente en %)
P1210 = 6 (Rearmar automatico)
P1300 = 2 (Modo Parábola. Ventilador)
P1800 = 16 (F.Base KHz) (Cuento mas alto: - ruido acústico)
P2000 = 50 (F.Referencia de la consigna Hz)

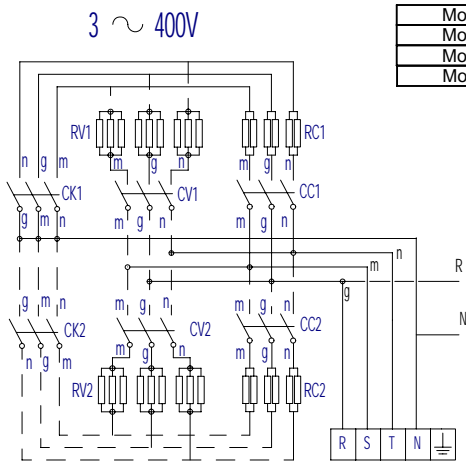


Plano Montaje COE, VE, VPE, 0 1, 20 1		400 V		T823018000	
Zk.Nº	Pieza	Cant.	Material/Material	Klas. zk/Nº Clas	Gainazal akabera/Tratamiento
Zk.Nº	Aldaketa/Modificaciones		Nork proposatua/Propuesta de	Data/Fecha	Perdori okorrak/Tolerancias generales
-	-	-	-	-	< 5 ± 0.2
-	-	-	-	-	50 ± 100 ± 0.8
-	-	-	-	-	5 + 25 ± 0.1
-	-	-	-	-	> 100 ± 1
-	-	-	-	-	25 + 50 ± 0.6
-	-	-	-	-	α ± 1

Sinadura/Firma		Data/Fecha	FAGOR		Gainazal perdola/Mecanizado superficial
Marratzua/Dibujado	M.Maillito	12-05-2010	Fagor Industrial.Koop.Elk. Muguta		-
Proiektatua/Proyectado	M.Maillito	12-05-2010			-
Egiaztatua/Comprobado	J.ERREZTAZARREA	12-05-2010			-
Eskala/Escala					Plano Zk./Plano Nº
					HD - 13202
					- Zk. ord. du
					- Zk.gaitik ord.

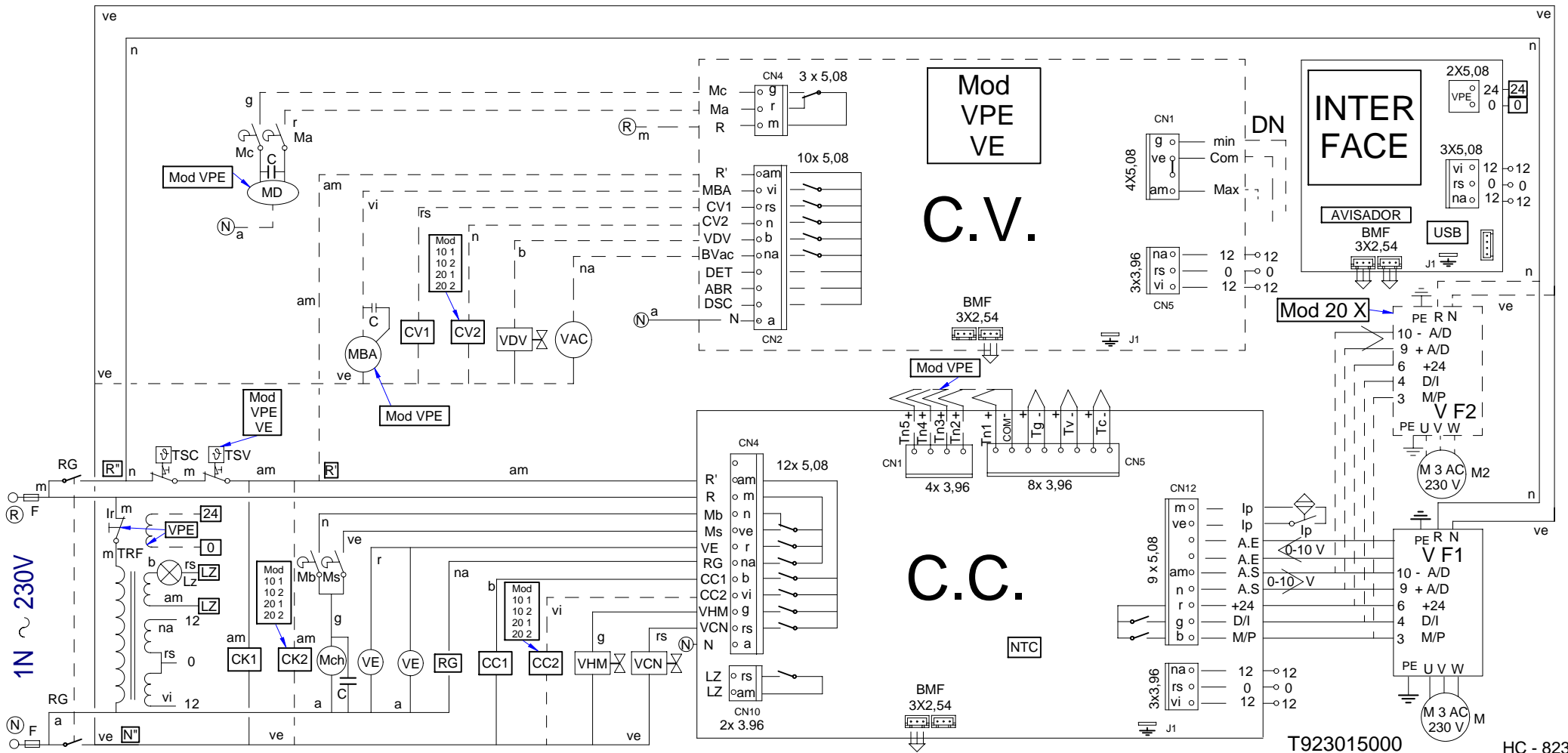
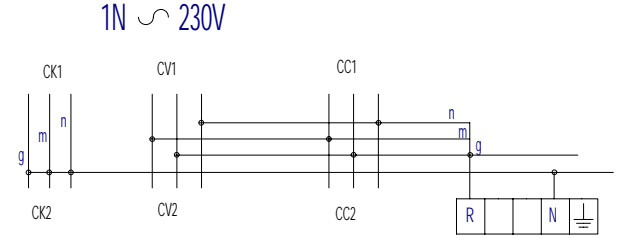
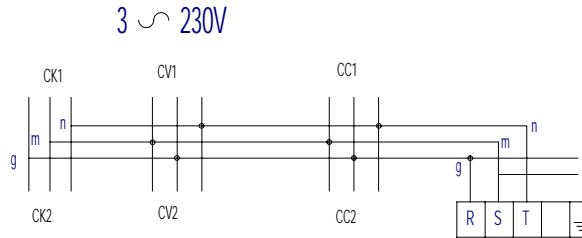
Plano hau ezin dateratu erabili, ez berritatu, gure baitimen gabe.

VPE 06 1, VPE 10 1, VPE 10 2, VPE 20 1, VPE 20 2
 VE 06 1, VE 10 1, VE 10 2, VE 20 1, VE 20 2
 COE 06 1, COE 10 1, COE 10 2, COE 20 1, COE 20 2



Mod. 101	RC2=3x3KW	Mod. 061, 101	RC1=3x3KW
Mod. 201	RC2=3x6KW	Mod. 201	RC1=3x6KW
Mod. 102	RC2=3x5KW	Mod. 102	RC1=3x5KW
Mod. 202	RC2=6x5KW	Mod. 202	RC1=6x5KW

Mod.	Mod. 061, 101	RV1=3x3KW
	Mod. 201, 102	RV1=6x3KW
	Mod. 202	RV1=9x3KW
VPE, VE,	Mod. 101, 102, 201	RV2=3x3KW
	Mod. 202	RV2=9x3KW



	ESPAÑOL	FRANÇAIS	ENGLISH	DEUTSCH	ITALIANO
BEC	Bujía Encendido Cámara	Chamber Allumage Chambre	Chamber Spark Plug	Zündkerze Einschalten Garraum	Candela di Accensione Camera
BEV	Bujía Encendido Caldera	Bougie Allumage Chaudière	Boiler Spark Plug	Zündkerze Einschalten Boile	Candela di Accensione Caldaia
C.C.	Control Camara	Contrôle Chambre	Chamber Control	Steuerung Garraum	Controllo Camera
C.E.C	Control Combustión Cámara	Contrôle Combustion Chambre	Chamber Combustion Control	Steuerung Verbrennung Garraum	Controllo Combustione Camera
C.E.V	Control Combustión Caldera	Contrôle Combustion Chaudière	Boiler Combustion Control	Steuerung Verbrennung Boiler	Controllo Combustione Caldaia
C.G.	Control Gas	Contrôle Gaz	Control Gas	Steuern Sie Gas	Controlli il gas
C.V.	Control Caldera	Contrôle Chaudière	Boiler Control	Steuerung Boiler	Controllo Caldaia
CC1, CC2	Contactador Resistencia Cámara	Contacteur Élément Chauffant Chambre	Chamber Heating Element Contactor	Schütz Heizwiderstand Garraum	Contattore Resistenza Camera
CK1, CK2	Contactador General Calentamiento	Relais Élément Chauffant	Heating Element Relay	Relais Heizwiderstand	Relè Resistenza
CV1, CV2	Contactador Resistencias Caldera	Contacteur Élément Chauffant Chaudière	Boiler Heating Element Contactor	Schütz Heizwiderstand Boiler	Contattore Resistenza Caldaia
DEC	Detector Llama Cámara	Détecteur Flamme Chambre	Chamber Flame Detector	Flammendetektor Garraum	Rilevatore di Fiamma Camera
DEV	Detector Llama Caldera	Détecteur Flamme Chaudière	Boiler Flame Detector	Flammendetektor Boiler	Rilevatore di Fiamma Caldaia
DN	Detector Nivel Caldera	Détecteur Niveau Chaudière	Boiler Level Detector	Pegeldetektor Boiler	Rilevatore Livello Caldaia
F	Fusibles	Fusibles	Fuses	Sicherungen	Fusibili
FI	Filtro Interferencias	Filtre Interférences	Interference Filter	Störungsfilter	Filtro Interferenze
FM	Térmico Motor	Thermique Moteur	Thermal Engine	Thermoschalter Motor	Termico Motore
GV1, GV2	Electro válvula Gas Cámara	Électrovanne Gaz Chambre	Chamber Gas Solenoid Valve	Elektroventil Gas Garraum	Elettrovalvola Gas Camera
GV3, GV4	Electro válvula Gas Caldera	Électrovanne Gaz Chaudière	Boiler Gas Solenoid Valve	Elektroventil Gas Boiler	Elettrovalvola Gas Caldaia
Ip	Interruptor Seguridad Puerta	Interrupteur Sécurité Porte	Door Safety Switch	Sicherheitsschalter Tür	Itteruttore Sicurezza Porta
Lz	Luz Interior	Éclairage Intérieur	Inner Light	Innenbeleuchtung	Luce Interna
M, M2	Motor Turbina	Moteur Turbine	Turbine Engine	Motor Turbine	Motore Turbina
Ma	Interruptor Micro Abierto	Microrupteur Ouvert	Open Microswitch	Mikroschalter Geöffnet	Iterruttore Micro Aperto
Mb	Interruptor Micro Bajada	Microrupteur Descente	Drop Microswitch	Mikroschalter Senken	Iterruttore Micro Discesa
Mc	Interruptor Micro Cerrado	Microrupteur Fermé	Closed Microswitch	Mikroschalter Geschlossen	Iterruttore Micro Chiuso
Mch	Motor Chimenea	Moteur Cheminée	Stack Engine	Motor Abluftkamin	Motore Canna
MD	Motor Desague	Moteur évacuation	Drain Engine	Motor Abfluss	Motore scolo
Ms	Interruptor Micro Subida	Microrupteur Montée	Rise Microswitch	Mikroschalter Heben	Iterruttore Micro Salita
PF	Potenciómetro Selector Funciones	Potentiomètre Sélecteur Fonctions	Functions Selector Potentiometer	Potentiometer Funktionswahlschalter	Potenziometro Selettore Funzioni
RC	Resistencias Cámara	Éléments Chauffants Chambre	Chamber Heating Element	Heizwiderstände Garraum	Resistenze Camere
RG	Rele General	Relais Général	Main Relay	Hauptrelais	Relè principale
RV	Resistencias Caldera	Éléments Chauffants Chaudière	Boiler Heating Element	Heizwiderstände Boiler	Resistenze Caldaia
Tc	Sonda Cámara	Sonde Chambre	Chamber Probe	Sonde Garraum	Sonda Camera
TCN	Termostato Condensación	Thermostat Condensation	Condensation Thermostat	Thermostat Kondensierung	Termostato Condensazione
Tg	Sonda Caldera	Sonde Chaudière	Boiler Probe	Sonde Boiler	Sonda Caldaia
Tn	Sonda Núcleo	Sonde Noyau	Core Probe	Kerntemperaturmesssonde	Sonda Nucleo
TRF	Transformador	Transformateur	Transformer	Transformator	Trasformatore
TSC	Termostato Seguridad Cámara	Thermostat Sécurité Chambre	Chamber Safety Thermostat	Sicherheitsthermostat Garraum	Termostato Sicurezza Camera
TSV	Termostato Seguridad Caldera	Thermostat Sécurité Chaudière	Boiler Safety Thermostat	Sicherheitsthermostat Boiler	Termostato Sicurezza Caldaia
Tv	Sonda Vapor	Sonde Vapeur	Steam Probe	Sonde Dampf	Sonda Vapore
VAC	Bomba Vaciado	Pompe Vidange	Vacuum Pump	Ablasspumpe	Pompa scarico
MBA	Moto Bomba Aclarado	Pompe Rinçage	Rinsing Pump	Pumpe Ausspülen	Pompa Risciacquo
VC1, VC2	Ventilador Soplante Camara	Ventilateur Soufflant	Blowing Fan	Ventilator Gebläse	Ventilatore Soffiante
VCN	Electro válvula Condensación	Électrovanne Condensation	Condensation Solenoid Valve	Elektroventil Kondensierung	Elettrovalvola Condensazione
VDV	Electro válvula Llenado Caldera	Électrovanne Remplissage Chaudière	Chamber Filling Solenoid Valve	Elektroventil Füllung Boiler	Elettrovalvola di Riempiemento Caldaia
VE	Ventilador Cuadro Eléctrico	Ventilateur Tableau Électrique	Fan Switchboard	Ventilator Elektrotafel	Ventilatore Quadro Elettrico
VF1, VF2	Variador de Frecuencia	Variateur Vitesse	Speed Variator	Geschwindigkeitsregler	Variatore di Velocità
VHM	Electro válvula Humidificador	Électrovanne Humidificateur	Humidifier Solenoid Valve	Elektroventil Befeuchtungsvoorrichtung	Elettrovalvola Umidificatore
Vv	Ventilador Soplante Caldera	Ventilateur soufflement chaudière	Boiler Blowing Fan	Durchbrennenventilator zum Dampfkessel	Ventilatore Soffiante caldaia
	COLORES	COULEURS	COLOUR	FARBEN	COLORE
a	Azul	Bleu	Blue	Blau	Blu
am	Amarillo	Jaune	Yellow	Gelb	Giallo
am/ve	Amarillo/verde	Jaune / vert	Yellow / green	Gelb/grün	Giallo/verde
b	Blanco	Blanc	White	Weiß	Bianco
g	Gris	Gris	Grey	Grau	Grigio
m	Marrón	Marron	Brown	Braun	Marrone
n	Negro	Noir	Black	Schwarz	Nero
na	Naranja	Orange	Orange	Orange	Arancio
r	Rojo	Rouge	Red	Rot	Rosso
rs	Rosa	Rose	Pink	Rosa	Roseo
ve	Verde	Vert	Green	Grün	Verde
vi	Violeta	Violet	Purple	Violett	Viola