
DESPIECE TECNICO

**Hornos eléctricos
Fours électriques
Electric ovens
Elektro heissluftdämpfer
Forni elettrici
Fornos eletricos**

Modelos:

COE-202

VE-202

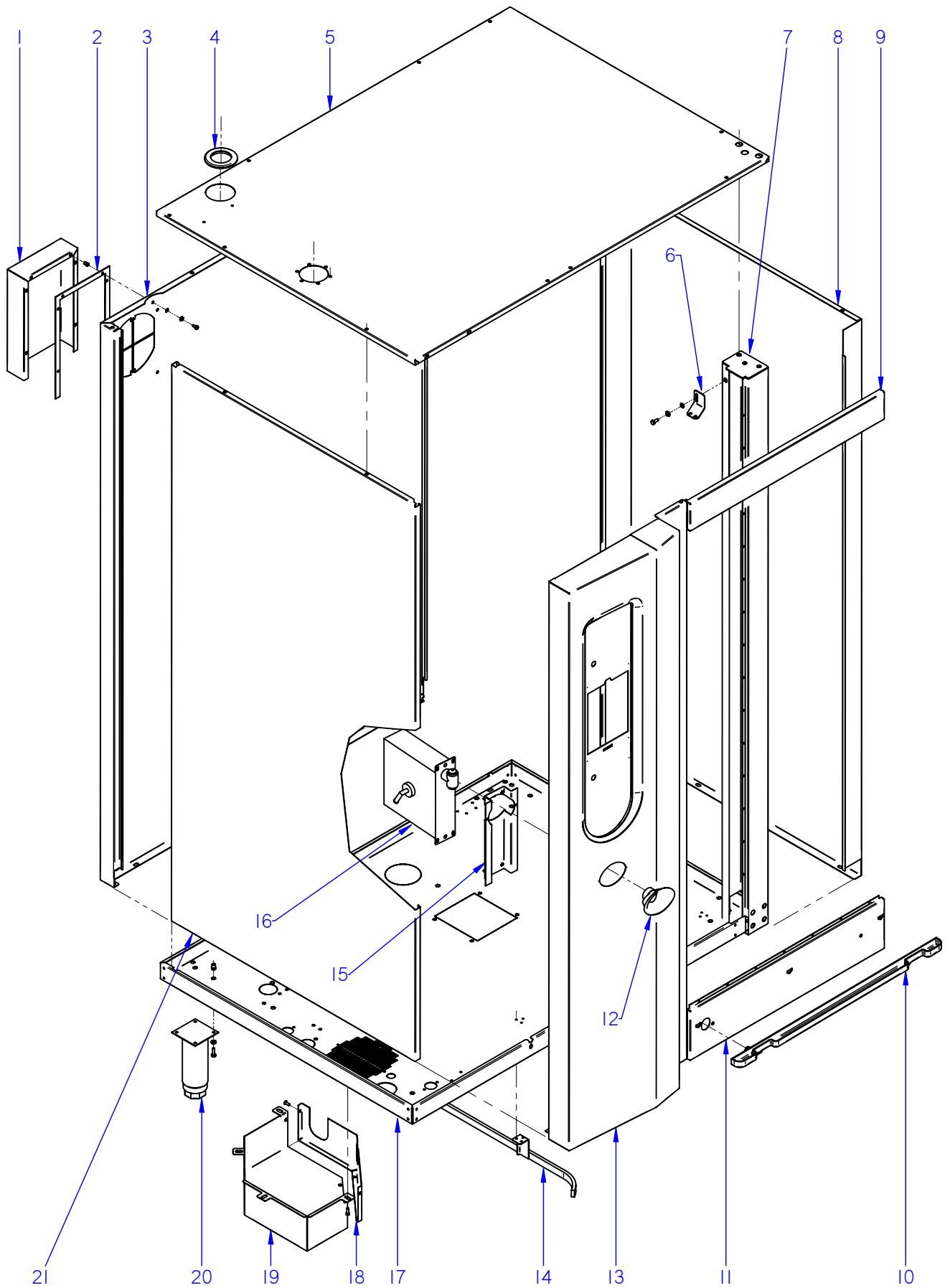
VPE-202

Octubre 2009 October

Revisado Octubre 2012 / Revised October 2012



F A G O R I N D U S T R I A L

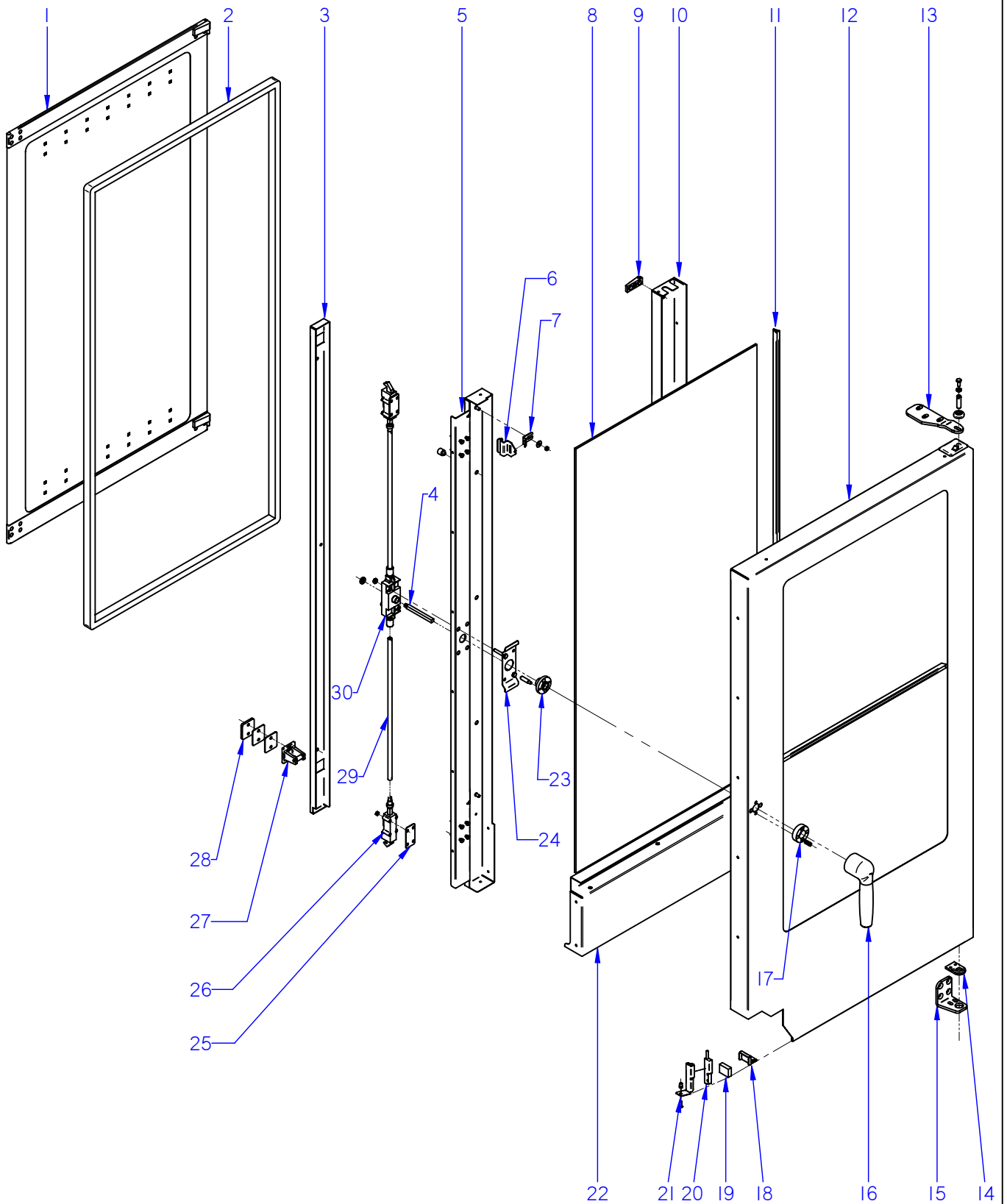


ITEM MARCADO EN COLOR = REPUESTO RECOMENDADO
 COLOURED ITEM = RECOMMENDED SPARE PART

| | | | | | | |
|---------|--------------------|---------|---------------------------|--------|--------|---------------------------------------|
| N plano | Firma | Fecha | Aparato | MUEBLE | Lamina | Fagor Industrial S.Coop. FAGOR |
| C-2438 | <i>name (benj)</i> | 2009-10 | HORNOS COE / VE / VPE-202 | | 1 | Oñate |

| MOD. | | HORNOS / OVEN | | ZONA | MUEBLE / UNIT | | | PLANO | C-2438 |
|------|------------|-------------------------------|-----------------------------|---------|---------------|---------|--|-------|--------|
| ITEM | CODIGO | DENOMINACION | TEXTO | COE-202 | VE-202 | VPE-202 | | | NOTAS |
| 1 | T512807500 | CHAPA SEPARACION IPX5 | SEPARATION PLATE IPX5 | 1 | 1 | 1 | | | |
| | Q221342000 | REMACHE EXAGONAL M5 | HEXAGONAL RIVET M.5 | 6 | 6 | 6 | | | |
| | Q232030000 | ARANDELA A5 | WASHER A.5 | 6 | 6 | 6 | | | |
| | Q242030000 | ARANDELA ABANICO A5 A.304 | FAN SHAPED WASHER A.5 | 6 | 6 | 6 | | | |
| | Q012031000 | TORNILLO EXAGONAL M5x10 A304 | HEXAGONAL SCREW M.5x10 | 6 | 6 | 6 | | | |
| 2 | T512808000 | JUNTA IPX5 | SEAL IPX5 | 1 | 1 | 1 | | | |
| 3 | T512803000 | PANEL POST. EXTERIOR 20/21 | REAR EXTERIOR PANEL210/21 | 1 | 1 | 1 | | | |
| 4 | R662813000 | PASAMUROS CHIMENEA 101003361 | FEED THROUGH FLUE PIPE 1010 | 1 | 1 | 1 | | | |
| 5 | T512805000 | PANEL SUPER. EXTERIOR 20/21 | SUP. EXTERIOR PANEL20/21 | 1 | 1 | 1 | | | |
| | Q232040000 | ARANDELA A6 | WASHER A.6 | 7 | 7 | 7 | | | |
| | Q242040000 | ARANDELA ABANICO A6 A.304 | FAN SHAPED WASHER A.6 | 7 | 7 | 7 | | | |
| | Q012042000 | TORNILLO EXAGONAL M6x15 | HEXAGONAL BOLT M6x15 | 7 | 7 | 7 | | | |
| | Q152004000 | TORNIL. APLASTADO M5X13 A 304 | FLAT SCREW M.5x13 | 7 | 7 | 7 | | | |
| 6 | T642821000 | ESCUADRA SOPORTE | SUPPORT SQUARE | 1 | 1 | 1 | | | |
| | Q232040000 | ARANDELA A6 | WASHER A.6 | 5 | 5 | 7 | | | |
| | Q242040000 | ARANDELA ABANICO A6 A.304 | FAN SHAPED WASHER A.6 | 5 | 5 | 5 | | | |
| | Q012042000 | TORNILLO EXAGONAL M6x15 | HEXAGONAL BOLT M6x15 | 3 | 3 | 3 | | | |
| | Q162040000 | TUERCA EXAGONAL M6 | HEXAGONAL NUT M6 | 2 | 2 | 2 | | | |
| 7 | T542804000 | PANEL SOPORTE PUERTA 202 | SUPPORT PANEL DOOR 202 | 1 | 1 | 1 | | | |
| 8 | T542806000 | PANEL EXTERIOR DERECHO 20/21 | RIGHT EXT. PANEL 20/21 | 1 | 1 | 1 | | | |
| | Q221342000 | REMACHE EXAGONAL M5 | HEXAGONAL RIVET M.5 | 2 | 2 | 2 | | | |
| 9 | T642810000 | PANEL FRONTAL SUPERIOR | UPPER FRONT PANEL | 1 | 1 | 1 | | | |
| | Q221342000 | REMACHE EXAGONAL M5 | HEXAGONAL RIVET M.5 | 2 | 2 | 2 | | | |
| | Q412005000 | REMACHE AVINOX Ø 3,2X6 | AVINOX RIVET Ø 3,2X6 | 7 | 7 | 7 | | | |
| | Q232040000 | ARANDELA A6 | WASHER A.6 | 6 | 6 | 6 | | | |
| | Q242040000 | ARANDELA ABANICO A6 A.304 | FAN SHAPED WASHER A.6 | 6 | 6 | 6 | | | |
| | Q012042000 | TORNILLO EXAGONAL M6x15 | HEXAGONAL BOLT M6x15 | 6 | 6 | 6 | | | |
| | | | | | | | | | |
| | | | | | | | | | |
| | | | | | | | | | |
| | | | | | | | | | |

| MOD. | | HORNOS / OVEN | | ZONA | MUEBLE / UNIT | | | PLANO | C-2438 |
|------|------------|-----------------------------|----------------------------|---------|---------------|---------|--|-------|----------------------|
| ITEM | CODIGO | DENOMINACION | TEXTO | COE-202 | VE-202 | VPE-202 | | | NOTAS |
| 10 | T452830000 | RECOGEAGUAS PLASTICO | PLAST SPRING WATER COLLE. | 1 | 1 | 1 | | | |
| | Q222041000 | REMACHE EXAGONAL M.4 INOX. | HEXAGONAL M.4 INOX. | 2 | 2 | 2 | | | |
| | Q242020000 | ARANDELA ABANICO A4 A.304 | FAN SHAPED WASHER A.4 | 2 | 2 | 2 | | | |
| | Q032021000 | TORNILLO ALOMADO M4x10 | CURVED SCREW M.4x10 | 2 | 2 | 2 | | | |
| | Q412005000 | REMACHE AVINOX Ø 3,2X6 | AVINOX RIVET Ø 3,2X6 | 7 | 7 | 7 | | | |
| 11 | T542817000 | PANEL FRONTAL INFERIOR | LOWER FRONT PANEL | 1 | 1 | 1 | | | |
| 12 | T922801000 | EMBELLECEDOR DUCHA | SHOWER TRIM | - | 1 | 1 | | | |
| 13 | T502805000 | PANEL PORTAMANDOS 20-21 HEI | CONTROL PANEL 20-21 HEI | 1 | - | - | | | |
| 13 | T512806000 | PANEL PORTAMANDOS 20-21 HEM | CONTROL PANEL 20-21 HEM | - | 1 | - | | | |
| 13 | T522802000 | PANEL PORTAMANDOS 20-21 HEP | CONTROL PANEL 20-21 HEP | - | - | 1 | | | ELIMINADO 15.06.10 |
| 13 | T522804000 | PANEL PORTAMANDOS VPE-202 | CONTROL PANEL VPE-202 | - | - | 1 | | | INTRODUCIDO 15.06.10 |
| S/Nº | T612806000 | JUNTA PORTAMAND. HORZ 10/21 | CONTROL HOLDER SEAL HORZ | 1 | 1 | 1 | | | |
| 14 | T492821000 | GUIA CARRO COMP. IZDA. 202 | COMPLE. LEFT TROLLEY GUIDE | 1 | 1 | 1 | | | |
| S/Nº | T492820000 | GUIA CARRO COMP. DCHA. 202 | COMPL. RIGHT TROLLEY GUIDE | 1 | 1 | 1 | | | |
| | Q412002000 | REMACHE AVINOX Ø 4X10 | AVINOX RIVET Ø 4X10 | - | 12 | 12 | | | |
| 15 | T542821000 | SOPORTE DUCHA | SHOWER SUPOR. | - | 1 | 1 | | | |
| | Q221342000 | REMACHE EXAGONAL M5 | HEXAGONAL RIVET M.5 | - | 4 | 4 | | | |
| | Q232020000 | ARANDELA A4 | WASHER A.4 | - | 2 | 2 | | | |
| | Q162020000 | TUERCA EXAGONAL M4 | HEXAGONAL NUT M4 | - | 2 | 2 | | | |
| 16 | T452809000 | DUCHA | SHOWER | - | 1 | 1 | | | |
| S/Nº | T452834000 | MANGO DUCHA | SHOWER HANDLE | - | 1 | 1 | | | INTRODUCIDO 31.05.10 |
| | Q232030000 | ARANDELA A5 | WASHER A.5 | - | 4 | 4 | | | |
| | Q242030000 | ARANDELA ABANICO A5 A.304 | FAN SHAPED WASHER A.5 | - | 4 | 4 | | | |
| | Q162030000 | TUERCA EXAGONAL M5 | HEXAGONAL NUT M5 | - | 4 | 4 | | | |
| 17 | T512802000 | BASE EXTERIOR 20/21 | EXTERIOR BASE 20/21 | 1 | 1 | 1 | | | |
| | Q221343000 | REMACHE EXAGONAL M.6 | HEXAGONAL RIVET M.6 | 35 | 35 | 35 | | | |
| | Q221342000 | REMACHE EXAGONAL M.5 | HEXAGONAL RIVET M.5 | 4 | 4 | 4 | | | |
| 18 | T330748000 | TAPA CAJA CUBRE SIST LAVADO | COVER WASHING SYSTEM BOX | - | - | 1 | | | ELIMINADO 19.07.10 |
| 18 | T720706000 | TAPA CAJA CUBRE SIST LAVADO | COVER WASHING SYSTEM BOX | - | - | 1 | | | ELIMINADO 01.03.11 |
| 18 | T330752500 | TAPA CAJA CUBRE SIST LAVADO | COVER WASHING SYSTEM BOX | - | - | 1 | | | INTRODUCIDO 01.03.11 |

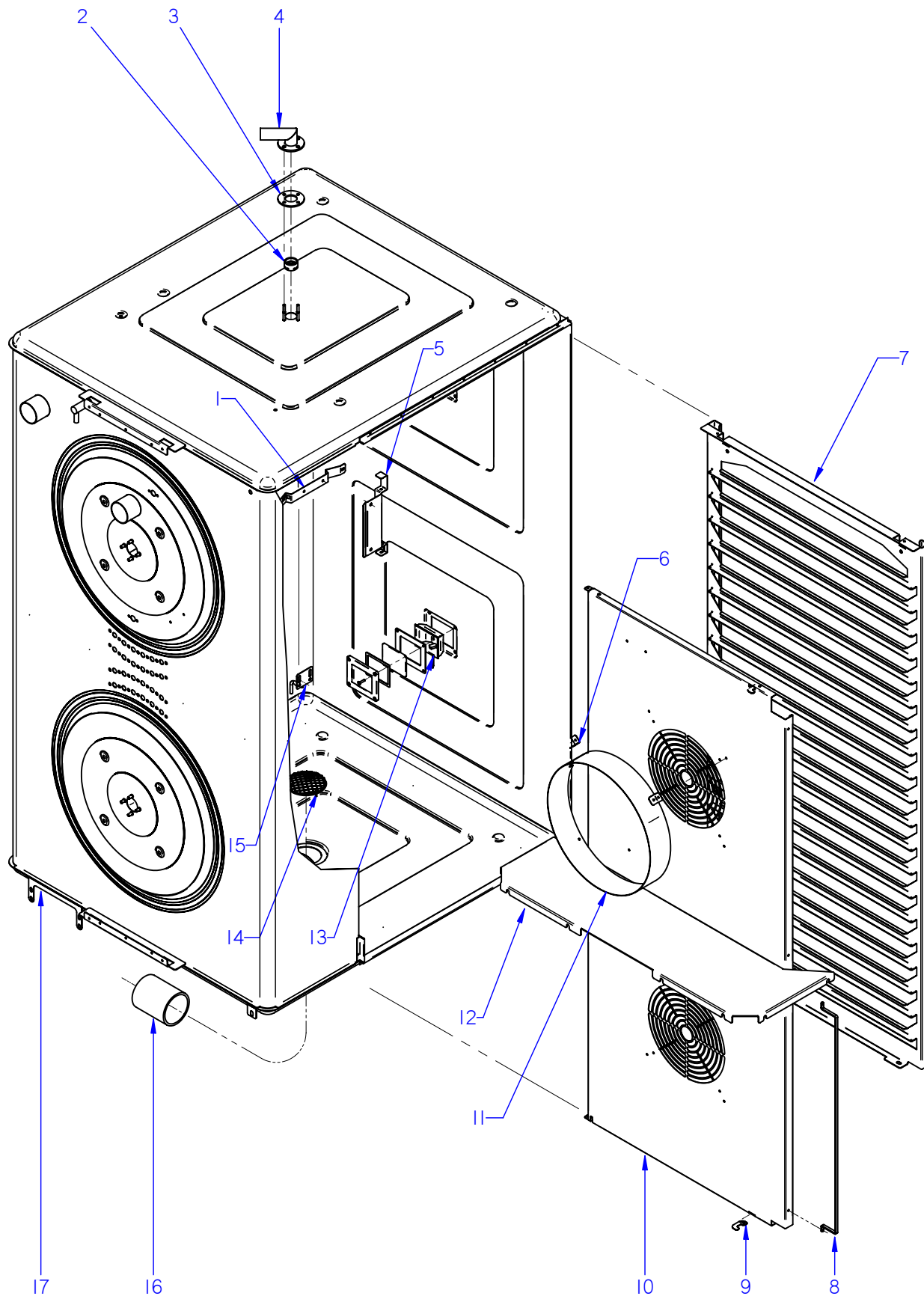


ITEM MARCADO EN COLOR = REPUESTO RECOMENDADO
 COLOURED ITEM = RECOMMENDED SPARE PART

| | | | | | | |
|---------|--------------------|---------|---------------------------|--------|--------|---------------------------------------|
| N plano | Firma | Fecha | Aparato | PUERTA | Lamina | Fagor Industrial S.Coop. FAGOR |
| C-2439 | <i>(Signature)</i> | 2009-10 | HORNOS COE / VE / VPE-202 | | 2 | Oñate |

| MOD. | | HORNOS / OVEN | | ZONA | PUERTA / DOOR | | | PLANO | C-2439 |
|------|------------|-----------------------------|----------------------------|---------|---------------|---------|--|-------|----------------------|
| ITEM | CODIGO | DENOMINACION | TEXTO | COE-202 | VE-202 | VPE-202 | | | NOTAS |
| | 1100003146 | KIT PUERTA 20/21 COMPL. | DOOR 20/21 KIT | 1 | 1 | 1 | | | |
| 1 | 1100003117 | KIT CRISTAL INTER. 20/21 | 20/21 INNER GLASS KIT | 1 | 1 | 1 | | | |
| 2 | T490500000 | JUNTA DE PUERTA 20-21 | DOOR JOINT | 1 | 1 | 1 | | | |
| 3 | T490503000 | TAPA CIERRE PUERTA 20/21 | DOOR CLOSING COVER 20/21 | 1 | 1 | 1 | | | |
| | Q032021000 | TORNILLO ALOMADO M4X10 | CURVED SCREW M.4x10 | 2 | 2 | 2 | | | |
| 4 | T490519000 | EJE DE MANILLA PUERTA | LEVER SHAFT | 1 | 1 | 1 | | | |
| 5 | T490528000 | CONTRAP MANILLA COMPL 20/21 | COMPLETE HANDLE DOOR 202 | 1 | 1 | 1 | | | |
| | Q412002000 | REMACHE AVINOX Ø4X10 | AVINOX RIVET Ø4X10 | 12 | 12 | 12 | | | |
| | T300513000 | TOPE CRISTAL INTERIOR10/21 | INTERIOR GLASS BUFFER 10/2 | 8 | 8 | 8 | | | |
| 6 | T300514000 | PESTILLO | LATCH | 2 | 2 | 2 | | | |
| | R660605000 | MUELLE TENSOR | LATCH TENSOR SPRING | 2 | 2 | 2 | | | |
| | Q302022000 | ARANDELA 16X6X1.2 A.304 | FLAT WASHER 16x6x1,2 | 2 | 2 | 2 | | | |
| | Q242030000 | ARANDELA ABANICO A5 A.304 | FAN SHAPED WASHER A.5 | 2 | 2 | 2 | | | |
| | Q162030000 | TUERCA EXAGONAL M5 | HEXAGONAL NUT M.5 | 2 | 2 | 2 | | | |
| 7 | R670612000 | BASE DE PESTILLO | LATCH BASE | 2 | 2 | 2 | | | |
| 8 | T490526000 | CRISTAL EXTERIOR 20/21 | EXTERNAL GLASS 20/21 | 1 | 1 | 1 | | | |
| 9 | R670615000 | BASE DE BISAGRA | HINGE BASE | 2 | 2 | 2 | | | |
| | Q042032000 | TORNILLO AVELLANADO M5X15 | COUNTERSUNK SCREW M.5x15 | 2 | 2 | 2 | | | |
| 10 | T490527000 | CONTRAPUERTA BISAGRA 20/21 | INNER DOOR HINGE 20/21 | 1 | 1 | 1 | | | |
| | Q412002000 | REMACHE AVINOX Ø4X10 | AVINOX RIVET Ø4X10 | 12 | 12 | 12 | | | |
| 11 | 3715200000 | JUNTA CRISTAL | WINDOW SEAL | 3 | 3 | 3 | | | |
| 12 | T540502000 | PUERTA 20/21 | DOOR 20/21 | 1 | 1 | 1 | | | |
| 13 | T300520500 | BISAGRA SUPERIOR 10/21 | UPPER HINGE 10/21 | 1 | 1 | 1 | | | ELIMINADO 01.03.11 |
| 13 | T300520000 | BISAGRA SUPERIOR 21 | UPPER HINGE 21 | 1 | 1 | 1 | | | INTRODUCIDO 01.03.11 |
| | Q302025000 | ARANDELA 8,4X20X1.5 | WASHER 8,4X20X1.5 | 3 | 3 | 3 | | | |
| | Q261050000 | ARANDELA MUELLE A8 | SPRING WASHER A8 | 3 | 3 | 3 | | | |
| | Q012055000 | TORNILLO EXAGONAL M8X30 | HEXAGONAL BOLT M8X30 | 3 | 3 | 3 | | | |
| S/Nº | R660534000 | EJE SUPERIOR | UPPER SHAFT | 1 | 1 | 1 | | | |
| | R662807000 | ARANDELA AMARRE | DOOR ANCHORING WASHER | 1 | 1 | 1 | | | |
| | Z850519000 | RESORTE 06329 | SPRING 06329 | 1 | 1 | 1 | | | |
| | | | | | | | | | |

| MOD. | | HORNOS / OVEN | | ZONA | PUERTA / DOOR | | | PLANO | C-2439 |
|------|------------|-----------------------------|---------------------------|---------|---------------|---------|--|-------|----------------------|
| ITEM | CODIGO | DENOMINACION | TEXTO | COE-202 | VE-202 | VPE-202 | | | NOTAS |
| 14 | R660549000 | GUIA EJE INFERIOR FUNDIDO | LOWER SHAFT GUIDE | 1 | 1 | 1 | | | |
| | Q062040000 | TORNILLO AVELLANADO M6X16 | COUNTERSUNK SCREW M.6x16 | 4 | 4 | 4 | | | |
| 15 | T300521500 | BISAGRA INFERIOR PLEGADA | LOWER FOLDER HINGE | 1 | 1 | 1 | | | ELIMINADO 01.03.10 |
| 15 | T300521000 | BISAGRA INFERIOR | LOWER HINGE | 1 | 1 | 1 | | | INTRODUCIDO 01.03.10 |
| 16 | T130502000 | MANILLA COMPLETA | HANDLE | 1 | 1 | 1 | | | |
| | Q032032000 | TORNILLO ALOMADO M5X15 | CURVED SCREW M5X15 | 2 | 2 | 2 | | | |
| | Q271033000 | ARANDELA DE SEGURIDAD Ø6 | SAFETY WASHER Ø 6 | 1 | 1 | 1 | | | |
| | Q132042000 | VARILLA ROSCADA M6X15 | THREADED ROD M.6x15 | 3 | 3 | 3 | | | |
| 17 | T130514000 | SOPORTE RESORTE | SPRING HOLDER | 1 | 1 | 1 | | | |
| | T130506000 | RESORTE 34548 | SPRING | 2 | 2 | 2 | | | |
| 18 | T300525000 | SOPORTE IMAN | MAGNET HOLDER | 1 | 1 | 1 | | | |
| | Q222011000 | REMACHE EXAGONAL M.5 | HEXAGONAL RIVET M.5 | 1 | 1 | 1 | | | |
| | Q032031000 | TORNILLO ALOMADO M5X10 | CURVED SCREW M5X10 | 1 | 1 | 1 | | | |
| 19 | T300526000 | IMAN | MAGNET | 1 | 1 | 1 | | | |
| 20 | Z100522000 | INTERRUPTOR MAGNETICO | MAGNETIC SWITCH (DOOR) | 1 | 1 | 1 | | | |
| 21 | T302819000 | SOPORTE MICRO PUERTA | DOOR MAGNETIC SWITCH HOLD | 1 | 1 | 1 | | | |
| | Q221342000 | REMACHE EXAGONAL M.5 | HEXAGONAL RIVET M.5 | 3 | 3 | 3 | | | |
| 22 | T540506000 | CHAPA AMARRE CONTRAP 10/21 | DOOR REVERSE FASTE. PLATE | 1 | 1 | 1 | | | |
| S/Nº | T540503000 | CHAPA JUNTA CONTRAPUERTA | DOOR REVERSE SEAL PLATE | 1 | 1 | 1 | | | |
| S/Nº | T540504000 | JUNTA CIERRE INFERIOR 20/21 | LOWER DOOR LOCK | 1 | 1 | 1 | | | |
| S/Nº | T540505000 | SUPERIOR CIERRE PUERTA | UPPER DOOR LOCK | 1 | 1 | 1 | | | |
| 23 | T130515000 | GUIA MANILLA | HANDLE GUIDE | 1 | 1 | 1 | | | |
| | T490518000 | PITON ENGANCHE PUERTA | DOOR FASTENER SPIKE | 2 | 2 | 2 | | | |
| | Q032032000 | TORNILLO ALOMADO M5x15 | CURVED SCREW M.5x15 | 2 | 2 | 2 | | | |
| 24 | T130511000 | SUPLEMENTO SUJ. CERRADURA | LOCK FIXING SUPPLEMENT | 1 | 1 | 1 | | | |
| 25 | T080503000 | SUPLEMENTO ELEMENTO CIERRE | CLOSING ELEMENT SUPPLEMEN | 10 | 10 | 10 | | | |
| 26 | T080504000 | ELEMENTO CIERRE | CLOSING COMPONENT | 2 | 2 | 2 | | | |
| 27 | T110506000 | ENGANCHE PUERTA | FASTENER | 2 | 2 | 2 | | | |
| | Q043145000 | TORN. AVELLANADO 6X30 LATON | COUNTERSUNK SCREW 6X30 | 4 | 4 | 4 | | | |
| 28 | T300519000 | SUPLEMENTO ENGANCHE | FASTENER SUPPLEMENT | 2 | 2 | 2 | | | |
| S/Nº | R660538000 | CALZO DE ENGANCHE | COUPLING CHOCK | 2 | 2 | 2 | | | |



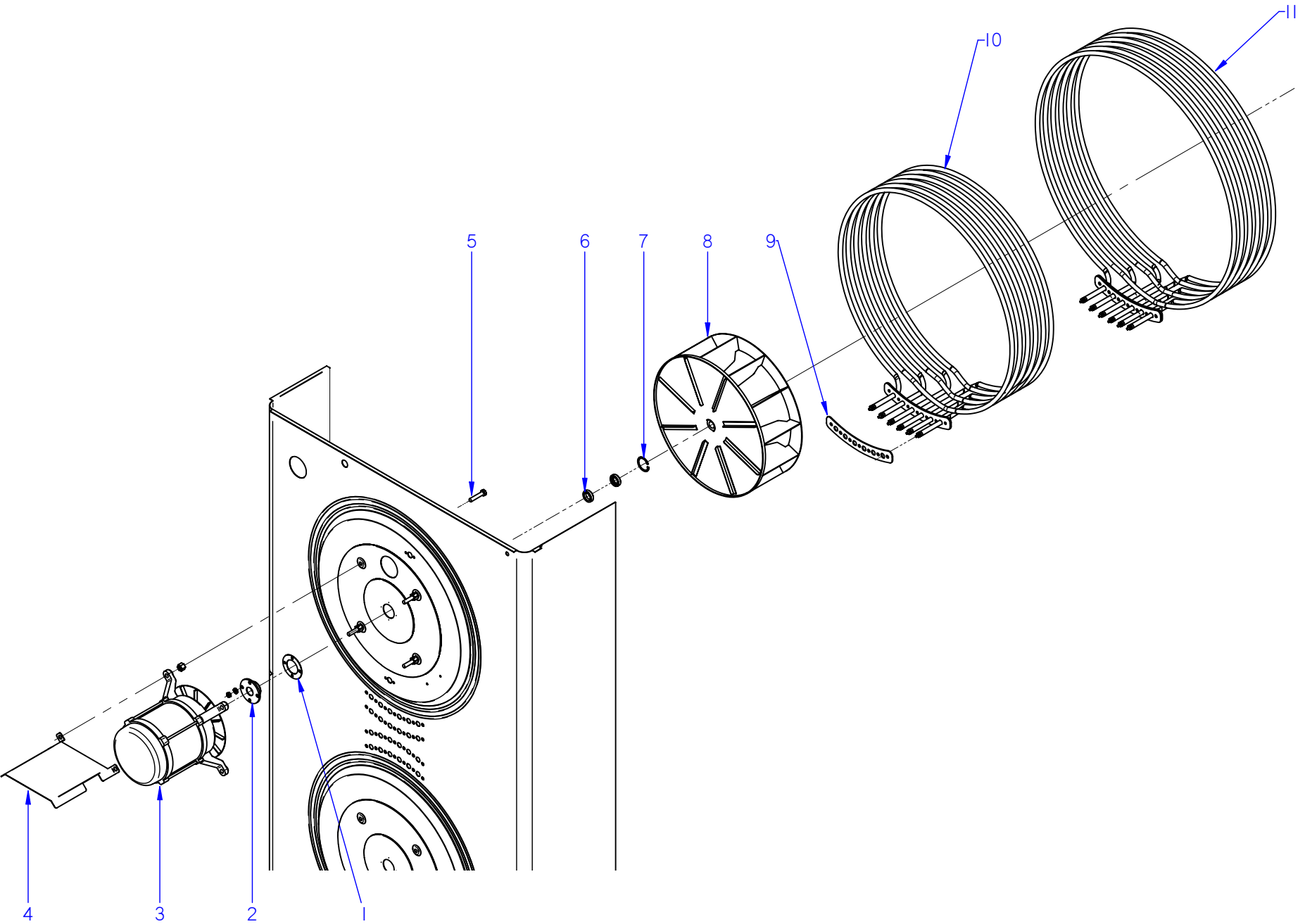
ITEM MARCADO EN COLOR = REPUESTO RECOMENDADO
 COLOURED ITEM = RECOMMENDED SPARE PART

| | | | | | | |
|---------|--------------------|---------|---------------------------|-----------------|--------|---------------------------------------|
| N plano | Firma | Fecha | Aparato | MUEBLE INTERIOR | Lamina | Fagor Industrial S.Coop. FAGOR |
| C-2440 | <i>[Signature]</i> | 2009-10 | HORNOS COE / VE / VPE-202 | | 3 | Oñate |

| MOD. | | HORNOS / OVEN | | ZONA | | MUEBLE INTERIOR / INTERIOR OVEN | | | PLANO | | C-2440 | |
|------|------------|---------------------------|-------------------------------|---------|--------|---------------------------------|--|--|-------|--|--------|--------------------|
| ITEM | CODIGO | DENOMINACION | TEXTO | COE-202 | VE-202 | VPE-202 | | | | | | NOTAS |
| 1 | R662683000 | SOPORTE BULBO | BULB SUPPORT | 1 | 1 | 1 | | | | | | |
| | Q412002000 | REMACHE AVINOX Ø4x10MM | TUBULAR RIVET 4x7,5 | 4 | 4 | 4 | | | | | | |
| 2 | T360712000 | PUNTA DIFUSORA LAVADO | WASHING DISPENSER POINT | - | - | 1 | | | | | | |
| 3 | T330744000 | CHAPA AMARRE TUBO LAVADO | WASHING PIPE FASTENING PLATE | - | - | 1 | | | | | | ELIMINADO 01.08.10 |
| 4 | T820702000 | TUBO DIFUSOR LAVADO COMP. | COMPL. WASHING DISPENSER PIPE | - | - | 1 | | | | | | ELIMINADO 01.08.10 |
| | Q232030000 | ARANDELA A5 | WASHER A.5 | - | - | 4 | | | | | | ELIMINADO 01.08.10 |
| | Q242030000 | ARANDELA ABANICO A5 A.304 | FAN SHAPED WASHER A.5 | - | - | 4 | | | | | | ELIMINADO 01.08.10 |
| | Q162030000 | TUERCA EXAGONAL M5 | HEXAGONAL NUT M.5 | - | - | 4 | | | | | | ELIMINADO 01.08.10 |
| 5 | T302644000 | SOPORTE SONDA | PROBE SUPPORT | - | 1 | 1 | | | | | | |
| | Q232030000 | ARANDELA A5 | WASHER A.5 | - | 2 | 2 | | | | | | |
| | Q242030000 | ARANDELA ABANICO A5 A.304 | FAN SHAPED WASHER A.5 | - | 2 | 2 | | | | | | |
| | Q162030000 | TUERCA EXAGONAL M5 | HEXAGONAL NUT M.5 | - | 2 | 2 | | | | | | |
| 6 | T302643000 | FIJACIÓN SUPLEMENTO | FAN COVER SUPPLEM. BINDING | 8 | 8 | 8 | | | | | | |
| | Q412002000 | REMACHE AVINOX Ø4x10 | RIVET AVINOX Ø4x10 | 23 | 23 | 23 | | | | | | |
| 7 | T442607000 | PORTABANDEJAS 20/21 | TRAY HOLDER 20/21 | 2 | - | - | | | | | | |
| S/Nº | T302688000 | ENGANCHE PORTABANDEJAS | TRAY HOLDER FASTENER | 2 | - | - | | | | | | |
| | Q222041000 | REMACHE EXAGONAL M.4 | HEXAGONAL RIVET M.4 | 2 | - | - | | | | | | |
| | Q232020000 | ARANDELA A4 | WASHER A.4 | 2 | - | - | | | | | | |
| | Q242020000 | ARANDELA ABANICO A4 | FAN SHAPED WASHER A.4 | 2 | - | - | | | | | | |
| | Q032021000 | TORNILLO ALOMADO M4x10 | CURVED SCREW M.4x10 | 2 | - | - | | | | | | |
| 8 | T302618000 | PROTECCION INTERIOR | INTERIOR PROTECTION | 2 | 2 | 2 | | | | | | |
| 9 | T302635000 | ENGANCHE CUBREVENTILADOR | FAN COVER FASTENER | 2 | 2 | 2 | | | | | | |
| | Q412002000 | REMACHE AVINOX Ø4x10 | RIVET AVINOX Ø4x10 | 16 | 16 | 16 | | | | | | |
| 10 | T452618000 | CUBREVENTILADOR 20/21 | FAN COVER 20/21 | 1 | 1 | 1 | | | | | | |
| 11 | T442604000 | SUPLEMEN. CUBREVENTILADOR | FAN COVER SUPPLEMENT. | 2 | 2 | 2 | | | | | | |
| 12 | T452605000 | CHAPA REFUERZO CUBA 20/21 | TUB REINFORCEMENT | 1 | 1 | 1 | | | | | | |
| | Q232040000 | ARANDELA A6 | FLAT WASHER A.6 | 8 | 8 | 8 | | | | | | |
| | Q262040000 | ARAND.GROW. A6 A.304 | GROWER WASHER A.6 | 8 | 8 | 8 | | | | | | |
| | Q162040000 | TUERCA EXAGONAL M6 | HEXAGONAL NUT M.6 | 8 | 8 | 8 | | | | | | |
| | | | | | | | | | | | | |
| | | | | | | | | | | | | |

| | | | | | |
|-------------|----------------------|-------------|--|--------------|---------------|
| MOD. | HORNOS / OVEN | ZONA | MUEBLE INTERIOR / INTERIOR OVEN | PLANO | C-2440 |
|-------------|----------------------|-------------|--|--------------|---------------|

| ITEM | CODIGO | DENOMINACION | TEXTO | COE-202 | VE-202 | VPE-202 | | | | | | NOTAS |
|------|------------|---------------------------|--------------------------|---------|--------|---------|--|--|--|--|--|-------|
| 13 | T303023000 | PORTALAMPARAS | LAMP HOLDER | 2 | 2 | 2 | | | | | | |
| S/Nº | T303026000 | JUNTA EXTERIOR LAMPARA | LAMP OUTER JOINT | 2 | 2 | 2 | | | | | | |
| S/Nº | T303025000 | CRISTAL LAMPARA | LAMP GLASS | 2 | 2 | 2 | | | | | | |
| S/Nº | T303027000 | JUNTA INTERIOR LAMPARA | LAMP INNER JOINT | 2 | 2 | 2 | | | | | | |
| S/Nº | T303047000 | MARCO LAMPARA | LAMP ANCHORING PLATEN | 2 | 2 | 2 | | | | | | |
| S/Nº | R663013000 | LAMPARA 10W-12V | LIGHT 10W 12V | 2 | 2 | 2 | | | | | | |
| | Q222041000 | REMACHE EXAGONAL M.4 INOX | HEXAGONAL RIVET M.4 | 8 | 8 | 8 | | | | | | |
| | Q032021000 | TORNILLO ALOMADO M4X10 | CURVED SCREW M.4x10 | 8 | 8 | 8 | | | | | | |
| 14 | T455030000 | FILTRO DESAGÜE 20/21 | DRAINAGE FILTER 20/21 | 1 | 1 | 1 | | | | | | |
| 15 | T302646000 | TENSOR PINCHO COMPLETO | COMPLETE SPIKE TENSOR | - | 1 | 1 | | | | | | |
| | Q232030000 | ARANDELA A5 | WASHER A.5 | - | 4 | 4 | | | | | | |
| | Q242030000 | ARANDELA ABANICO A5 A.304 | FAN SHAPED WASHER A.5 | - | 4 | 4 | | | | | | |
| | Q162030000 | TUERCA EXAGONAL M5 | HEXAGONAL NUT M.5 | - | 4 | 4 | | | | | | |
| 16 | T455029000 | TUBO EMPALME GENERADOR | GENERATOR CONNECTI. PIPE | 1 | 1 | - | | | | | | |
| | Q901313000 | ABRAZADERA ELASTICA 62-66 | CLAMP 62-66 | 2 | 2 | - | | | | | | |
| 17 | _____ | CUERPO INTER COMP 20-21 | INNER BODY 20/21 | 1 | 1 | 1 | | | | | | |
| | | | | | | | | | | | | |
| | | | | | | | | | | | | |
| | | | | | | | | | | | | |
| | | | | | | | | | | | | |
| | | | | | | | | | | | | |
| | | | | | | | | | | | | |
| | | | | | | | | | | | | |
| | | | | | | | | | | | | |
| | | | | | | | | | | | | |
| | | | | | | | | | | | | |
| | | | | | | | | | | | | |
| | | | | | | | | | | | | |
| | | | | | | | | | | | | |
| | | | | | | | | | | | | |
| | | | | | | | | | | | | |
| | | | | | | | | | | | | |
| | | | | | | | | | | | | |
| | | | | | | | | | | | | |

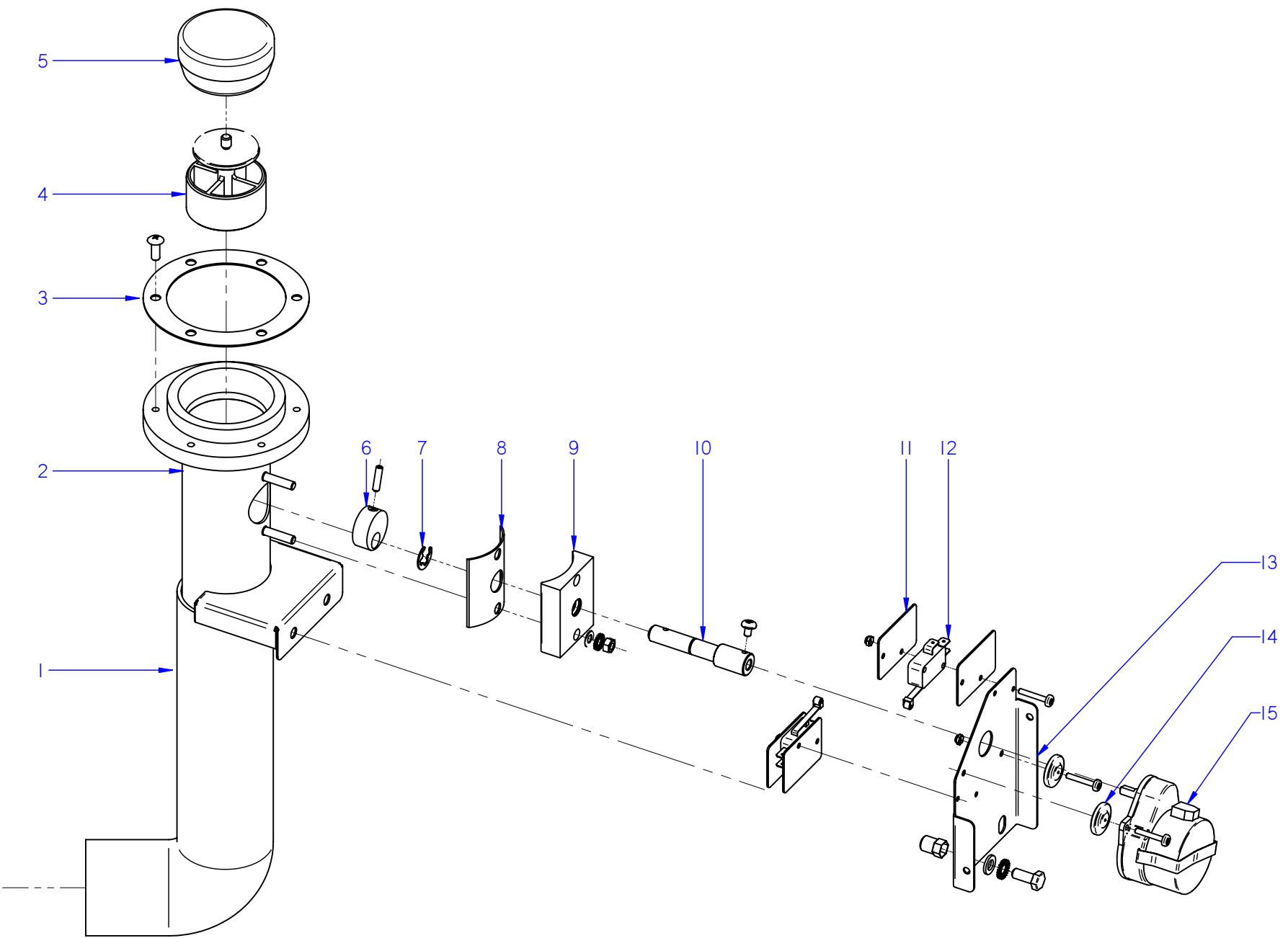


ITEM MARCADO EN COLOR = REPUESTO RECOMENDADO
 COLOURED ITEM = RECOMMENDED SPARE PART

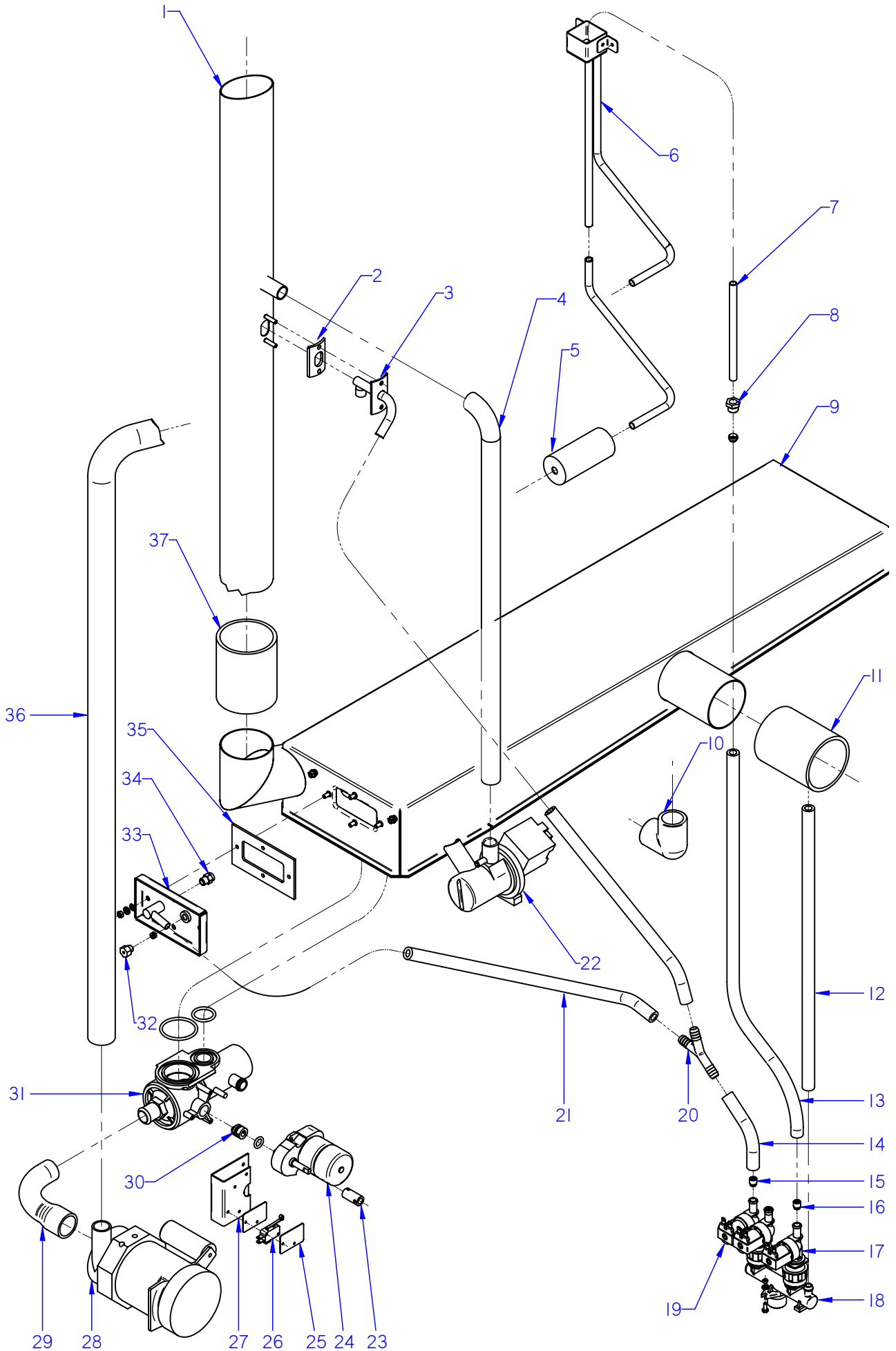
| | | | | | | |
|---------|----------------|---------|---------------------------|---------|--------|--|
| N plano | Firma | Fecha | Aparato | TURERNA | Lamina | Fagor Industrial S. Coop. FAGOR |
| C-2441 | <i>(Firma)</i> | 2009-09 | HORNOS COE / VE / VPE-202 | | 4 | Orate |

| MOD. | HORNOS / OVEN | | | ZONA | TURBINA / TURBINE | | | PLANO | C-2441 | |
|------|---------------|-------------------------------|----------------------------|---------|-------------------|---------|--|-------|--------|-------|
| ITEM | CODIGO | DENOMINACION | TEXTO | COE-202 | VE-202 | VPE-202 | | | | NOTAS |
| 1 | R662685000 | JUNTA CASQUILLO RETEN | SEAL BUSHING GASKET | 2 | 2 | 2 | | | | |
| | Q232040000 | ARANDELA A6 | WASHER A6 | 8 | 8 | 8 | | | | |
| | Q262040000 | ARANDELA GROW. A6 | WASHER GROW. A6 | 8 | 8 | 8 | | | | |
| | Q162040000 | TUERCA EXAGONAL M6 | HEXAGONAL NUT M.6 | 8 | 8 | 8 | | | | |
| 2 | T302629000 | CASQUILLO RETEN | SEAL BUSHING | 2 | 2 | 2 | | | | |
| 3 | T303066000 | MOTOR DOBLE GIRO 1VEL. 750W. | DOUBLE ROTATION MOTOR 1VE | 2 | 2 | 2 | | | | |
| | R663057000 | CASQUILLO AMARRE MOTOR | MOTOR FASTENING BUSHING | 8 | 8 | 8 | | | | |
| | T302638000 | DISTANCIADOR MOTOR 10/21 | MOTOR DISTAC. 10/21 | 8 | 8 | 8 | | | | |
| 4 | T142635000 | TEJADILLO MOTOR | MOTOR ROOF | 2 | 2 | 2 | | | | |
| 5 | Q012056000 | TORNILLO EXAGONAL M8X40 | HEXAGONAL SCREW M8X40 | 8 | 8 | 8 | | | | |
| 6 | R662627000 | RETEN 17X28X7V | RETAINER 28x17x7 | 4 | 4 | 4 | | | | |
| 7 | Q302023000 | ANILLO DE SEGURIDAD Ø 28X1.2 | SAFETY RING 28x1,2 | 2 | 2 | 2 | | | | |
| 8 | T493017000 | TURBINA RECTA Ø350X127 FIR | TURBINE RECTA Ø350X127 FIR | 2 | 2 | 2 | | | | |
| | R763010000 | ARANDELA SEGURIDAD HANNING | HANNING SAFETY WASHER | 1 | 1 | 1 | | | | |
| | Q012063000 | TORNIL. EXAGONAL M10X20 A.304 | HEXAGONAL SCREW M.10x20 | 1 | 1 | 1 | | | | |
| 9 | T323021000 | JUNTA RESISTENCIAS | RESISTOR SEAL | 4 | 4 | 4 | | | | |
| | Q232040000 | ARANDELA A6 | WASHER A6 | 32 | 32 | 32 | | | | |
| | Q262040000 | ARANDELA GROW. A6 | WASHER GROW. A6 | 28 | 28 | 28 | | | | |
| | Q012042000 | TORNILLO EXAGONAL M6x15 | HEXAGONAL BOLT M6x15 | 28 | 28 | 28 | | | | |
| | Q162040000 | TUERCA EXAGONAL M6 | HEXAGONAL NUT M.6 | 4 | 4 | 4 | | | | |
| 10 | T323034000 | RESISTENCIA INTERIOR 3 X 5KW | INTERIOR RESISTOR 3X5 KW | 2 | 2 | 2 | | | | |
| 11 | T323035000 | RESISTENCIA EXTERIOR 3 X 5KW | EXTERIOR RESISTOR 3X5 KW | 2 | 2 | 2 | | | | |
| | | | | | | | | | | |
| | | | | | | | | | | |
| | | | | | | | | | | |
| | | | | | | | | | | |
| | | | | | | | | | | |
| | | | | | | | | | | |

ITEM MARCADO EN COLOR = REPUESTO RECOMENDADO
 COLOURED ITEM = RECOMMENDED SPARE PART



| MOD. | | HORNOS / OVEN | | ZONA | | CHIMENEA / FLUEPIPE | | | PLANO | | C-2442 |
|------|------------|-------------------------------|----------------------------|---------|--------|---------------------|--|--|-------|--|--------|
| ITEM | CODIGO | DENOMINACION | TEXTO | COE-202 | VE-202 | VPE-202 | | | | | NOTAS |
| 1 | T722608000 | TUBO FLEXIBLE Ø53X360 | FLEXIBLE TUBE Ø53X360 | 1 | 1 | 1 | | | | | |
| | Q881307000 | ABRAZADERA 40*60 | CLAMP 40*60 | 2 | 2 | 2 | | | | | |
| 2 | T815006000 | CONJUNTO CHIMENEA | COMPLETE CHIMNEY | 1 | 1 | 1 | | | | | |
| | Q221343000 | REMACHE EXAGONAL M.6 | HEXAGONAL RIVET M.6 | 2 | 2 | 2 | | | | | |
| 3 | T325057000 | JUNTA BASE CHIMENEA | FLUEPIPE BASE SEAL | 1 | 1 | 1 | | | | | |
| | Q152004000 | TORNIL. APLASTADO M5X13 A 304 | FLAT SCREW M.5x13 | 6 | 6 | 6 | | | | | |
| 4 | T815014000 | GUIA RETENCION VAPORES | STEAM RETAINER GUIDE | 1 | 1 | 1 | | | | | |
| 5 | T325055000 | RETENCION DE VAPORES | CLOSE CHIMNEY | 1 | 1 | 1 | | | | | |
| 6 | T325032000 | LEVA EJE CHIMENEA | FLUEPIPE SHAFT CAM | 1 | 1 | 1 | | | | | |
| | Q132045000 | VARILLA ROSCADA M4X16 | THREADED ROD M4X16 | 1 | 1 | 1 | | | | | |
| 7 | Q271006000 | ARANDELA DE SEGURIDAD Ø8 | SAFETY WASHER Ø8 | 1 | 1 | 1 | | | | | |
| 8 | T325030000 | JUNTA EJE CHIMENEA | FLUEPIPE SHAFT SEAL | 1 | 1 | 1 | | | | | |
| 9 | T325029000 | GUIA EJE CHIMENEA | FLUEPIPE SHAFT GUIDE | 1 | 1 | 1 | | | | | |
| | Q232030000 | ARANDELA A5 | FLAT WASHER A.5 | 2 | 2 | 2 | | | | | |
| | Q242030000 | ARANDELA ABANICO A5 A.304 | FAN SHAPED WASHER A.5 | 2 | 2 | 2 | | | | | |
| | Q162030000 | TUERCA EXAGONAL M5 | HEXAGONAL NUT M.5 | 2 | 2 | 2 | | | | | |
| 10 | T815010000 | EJE CHIMENEA ELECTRICA | ELECTRIC FLUEPIPE SHAFT | 1 | 1 | 1 | | | | | |
| | Q151320000 | TORNILLO ALOMADO M4X6 ZINC. | CURVED SCREW M4X6 ZINC. | 1 | 1 | 1 | | | | | |
| 11 | R010535000 | PLACA SEPARADORA | SPACER PLATE | 4 | 4 | 4 | | | | | |
| | Q032013000 | TORNILLO ALOMADO M3X20 | CURVED SCREW M3X20 | 4 | 4 | 4 | | | | | |
| | Q221350000 | TUERCA AUTOBLOCANTE M3 | SELF-LOCKING NUT M3 | 4 | 4 | 4 | | | | | |
| 12 | R010534000 | INTERRUPTOR PUERTA | DOOR SWITCH | 2 | 2 | 2 | | | | | |
| 13 | T815009000 | ESCUA. AMARRE MOTOR CHIMEN. | FLUEPIPE MOTOR FASTENING B | 1 | 1 | 1 | | | | | |
| | Q232040000 | ARANDELA A6 | FLAT WASHER A.6 | 2 | 2 | 2 | | | | | |
| | Q242040000 | ARANDELA ABANICO A6 A.304 | FAN SHAPED WASHER A.6 | 2 | 2 | 2 | | | | | |
| | Q012042000 | TORNILLO EXAGONAL M6X15 A304 | HEXAGONAL SCREW M6X15 | 2 | 2 | 2 | | | | | |
| 14 | Q308006000 | ARANDELA DUBO Ø 4 | WASHER DUBO Ø 4 | 3 | 3 | 3 | | | | | |
| 15 | T323010000 | MOTOR CHIMENEA | FLUEPIPE MOTOR | 1 | 1 | 1 | | | | | |
| | | | | | | | | | | | |
| | | | | | | | | | | | |



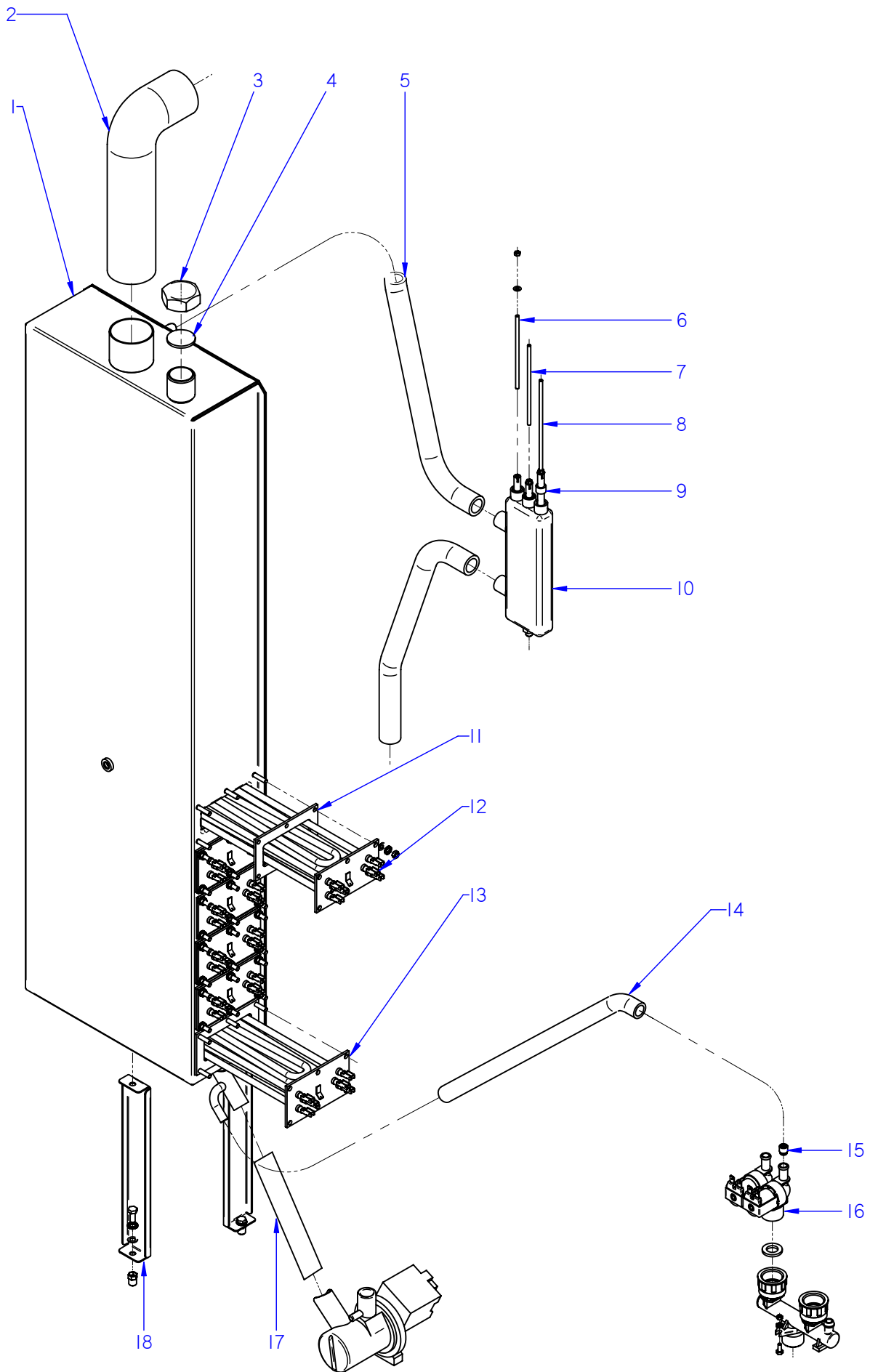
ITEM MARCADO EN COLOR = REPUESTO RECOMENDADO
 COLOURED ITEM = RECOMMENDED SPARE PART

| | | | | | | |
|---------|--------------------|---------|---------------------------|------------------|--------|---------------------------------------|
| N plano | Firma | Fecha | Aparato | CIRCUITO DE AGUA | Lamina | Fagor Industrial S.Coop. FAGOR |
| C-2443 | <i>(Signature)</i> | 2009-10 | HORNOS COE / VE / VPE-202 | | 6 | Oñate |

| MOD. | | HORNOS / OVEN | | ZONA | CONDUCCIONES DE AGUA / WATER PIPES | | | PLANO | C-2443 |
|------|------------|-------------------------------|------------------------------|---------|------------------------------------|---------|--|-------|----------------------|
| ITEM | CODIGO | DENOMINACION | TEXTO | COE-202 | VE-202 | VPE-202 | | | NOTAS |
| S/Nº | 1100003163 | KIT VALVULA DE LAVADO COMP. | WASHING VALVE KIT | - | - | 1 | | | |
| 1 | T445005000 | CHIMENEA COMPLETA HEI-20/21 | COMPLET FLUEPIPE HEI-20/21 | 1 | - | - | | | |
| 1 | T455006000 | CHIMENEA COMPLETA HEM-20/21 | COMPLET FLUEPIPE HEM-20/21 | - | 1 | 1 | | | |
| S/Nº | T115086000 | TOBERA 1/8 | NOZZLE 1/8 | 1 | 1 | 1 | | | |
| 2 | R725159000 | JUNTA TUBO INYECTOR | INJECTOR PIPE SEAL | 1 | 1 | 1 | | | |
| 3 | T115112000 | CONDUCC. VAHOS COMPLETO | COMPLETE VAPOUR DUCT | 1 | 1 | 1 | | | |
| 4 | 3715900000 | TUBO SILICONA Tº Ø 26*18 | HIGH SILICON PIPE Tº Ø 26*18 | - | 1 | 1 | | | |
| | Q901311000 | ABRAZADERA ELASTICA 26,7*28,1 | ELAST. CLAMP 26,7*28,1 | - | 2 | 2 | | | |
| 5 | R665025000 | DISTRIBUIDOR INYECTOR | INJECTOR DISTRIBUTOR | 1 | - | - | | | |
| 6 | T445000000 | INYECTOR COMPLETO HEI 20/21 | COMPLETE INJECTOR HEI 2021 | 1 | - | - | | | |
| S/Nº | R665025000 | DISTRIBUIDOR INYECTOR | INJECTOR DISTRIBUTOR | 2 | - | - | | | INTRODUCIDO 01.12.09 |
| 7 | T355001000 | TUBO INYECTOR | INJECTOR PIPE | 1 | - | - | | | |
| 7 | R665024000 | TUBO INYECTOR | INJECTOR PIPE | - | 1 | 1 | | | |
| 8 | R695003000 | MANGUITO CIERRE | CLOSING SLEEVE | 1 | 1 | 1 | | | |
| | R695004000 | BICONO | BICONE | 1 | 1 | 1 | | | |
| 9 | T515005000 | CAJA DESAGÜE LAVADO 20/21 | COM. DRAINAGE BOX 20/21 | 1 | 1 | - | | | |
| 9 | T525001000 | CONJUNTO CAJA LAVADO 20/21 | COMPLETE WASH BOX 20/21 | - | - | 1 | | | ELIMINADO 01.12.10 |
| 10 | T505011000 | CONDUCCION DESAGUE | DRAINAGE DUCT | 1 | 1 | - | | | |
| 11 | T455029000 | TUBO EMPALME GENERADOR | GENERATOR CONNECTI. PIPE | 1 | 1 | 1 | | | |
| | Q901313000 | ABRAZADERA ELASTICA 62-66 | CLAMP 62-66 | 2 | 2 | 2 | | | |
| 12 | 3676900000 | T. GOMA NEGRA Ø17*10 INYECT. | BLACK RUBBER PIPE Ø17*10 | - | 1 | 1 | | | |
| | Q881302000 | ABRAZADERA 12*20 | CLAMP 12-20 | - | 2 | 2 | | | |
| 13 | 3676900000 | T. GOMA NEGRA Ø17*10 INYECT. | BLACK RUBBER PIPE Ø17*10 | 1 | 1 | 1 | | | |
| | Q881302000 | ABRAZADERA 12*20 | CLAMP 12-20 | 2 | 2 | 2 | | | |
| 14 | 3676900000 | T. GOMA NEGRA Ø17*10 INYECT. | BLACK RUBBER PIPE Ø17*10 | 1 | 1 | 1 | | | |
| | Q881302000 | ABRAZADERA 12*20 | CLAMP 12-20 | 2 | 2 | 2 | | | |
| 15 | P443042000 | REGULADOR 3 L. VERDE 254,023 | REGULATOR 3 L. GREEN | 1 | 1 | 1 | | | |
| 16 | P305013000 | REGULADOR 1L. AMA 255.005 | REGULATOR 1L. AMA 255.005 | 1 | 1 | 1 | | | |
| 17 | Z701135000 | ELECTROVALVUL. SIMPLE 255.208 | SIMPLE SOLENOID VALVE | - | 1 | 1 | | | ELIMINADO 01.04.10 |
| | | | | | | | | | |
| | | | | | | | | | |

| MOD. | | HORNOS / OVEN | | ZONA | CONDUCCIONES DE AGUA / WATER PIPES | | | PLANO | C-2443 |
|------|------------|-------------------------------|-----------------------------|---------|------------------------------------|---------|--|-------|----------------------|
| ITEM | CODIGO | DENOMINACION | TEXTO | COE-202 | VE-202 | VPE-202 | | | NOTAS |
| 18 | T325063000 | ENTRADA DE AGUA COMPLETA | COMPLETE WATER INLET | 1 | 1 | 1 | | | ELIMINADO 01.04.10 |
| 18 | T645006000 | ENTRADA DE AGUA COMPLETA | COMPLETE WATER INLET | 1 | 1 | 1 | | | INTRODUCIDO 01.04.10 |
| | Q307031000 | JUNTA TUBO 14X24X3 | JOINT 14X24X3 | 2 | 2 | 2 | | | ELIMINADO 01.04.10 |
| 19 | P255001000 | ELECTROVALVULA DOBLE | DOUBLE SOLENOID VALVE | 1 | 1 | 1 | | | ELIMINADO 14.12.09 |
| 19 | Z701135000 | ELECTR. SIMP.220V COD.255.208 | SOLENOID VALVE SIMP.220V CO | 2 | 1 | 1 | | | INTRODUCIDO 14.12.09 |
| 19 | Z611123000 | ELECTR. TRIPLE COD.255.641 | TRIPLE SOLENOID VALVE 255.6 | 1 | 1 | 1 | | | INTRODUCIDO 01.04.10 |
| 20 | Z201106000 | RACORD EN Y | Y-CONNECTION | 1 | 1 | 1 | | | |
| 21 | 3676900000 | T. GOMA NEGRA Ø17*10 INYECT. | BLACK RUBBER PIPE Ø17*10 | 2 | 2 | 2 | | | |
| | Q881302000 | ABRAZADERA 12*20 | CLAMP 12-20 | 4 | 4 | 4 | | | |
| 22 | Z220901000 | BOMBA DESAGÜE 30W | DRAINAGE PUMP 30W | 1 | 1 | 1 | | | |
| 23 | T330733000 | CASQUILLO MOTOR MICRO | MICRO MOTOR BUSHING | 1 | 1 | 1 | | | |
| | Q151320000 | TORNILLO ALOMADO M4X6 H.ZIN. | CURVED SCREW M4X6 H.ZIN. | 2 | 2 | 2 | | | |
| | Q371026000 | MANGUITO SUJEC. 4X14 DIN1481 | HOSE FASTENING 4X14 DIN1481 | 1 | 1 | 1 | | | |
| | Q052032000 | TORNILLO ALLEN M.5x15(+) | ALLEN HEAD SCREW M.5x15(+) | 2 | 2 | 2 | | | |
| 24 | T330711000 | MOTOR VALVULA | VALVE MOTOR | 1 | 1 | 1 | | | |
| | Q042022000 | TORNILLO AVELLANADO M4X15 | COUNTERSUNK SCREW M.4x15 | 2 | 2 | 2 | | | |
| 25 | R010535000 | PLACA SEPARADORA | SPACER PLATE | 4 | 4 | 4 | | | |
| | Q032013000 | TORNILLO ALOMADO M3X20 | CURVED SCREW M3X20 | 7 | 7 | 7 | | | |
| | Q221350000 | TUERCA AUTOBLOCANTE M3 | SELF-LOCKING NUT M3 | 4 | 4 | 4 | | | |
| 26 | R010534000 | INTERRUPTOR PUERTA | DOOR SWITCH | 2 | 2 | 2 | | | |
| 27 | T330713000 | CHAPA SUJECCION MICROS | FASTENING PLATE MICROS | 1 | 1 | 1 | | | ELIMINADO 01.03.11 |
| 27 | T330754000 | SOPORTE MICROS LAVADO | MICROS WASH STAND | 1 | 1 | 1 | | | INTRODUCIDO 01.03.11 |
| 28 | T360715000 | MOTOBOMBA 5213E2450 FIR 50Hz | MOTOR-PUMP 5213E2450 FIR | 1 | 1 | 1 | | | |
| | Q232040000 | ARANDELA A6 | WASHER A.6 | 2 | 2 | 2 | | | |
| | Q242040000 | ARANDELA ABANICO A6 A.304 | FAN SHAPED WASHER A.6 | 2 | 2 | 2 | | | |
| | Q012043000 | TORNILLO EXAGONAL M6X20 | HEXAGONAL SCREW M6X20 | 2 | 2 | 2 | | | |
| 29 | T330731000 | GOMA VALVULA BOMBA | PUMP VALVE RUBBER | 1 | 1 | 1 | | | |
| | Q881304000 | ABRAZADERA 20-32 | CLAMP 20-32 | 1 | 1 | 1 | | | |
| | Q881305000 | ABRAZADERA 25-40 | CLAMP 25-40 | 1 | 1 | 1 | | | |
| | | | | | | | | | |
| | | | | | | | | | |

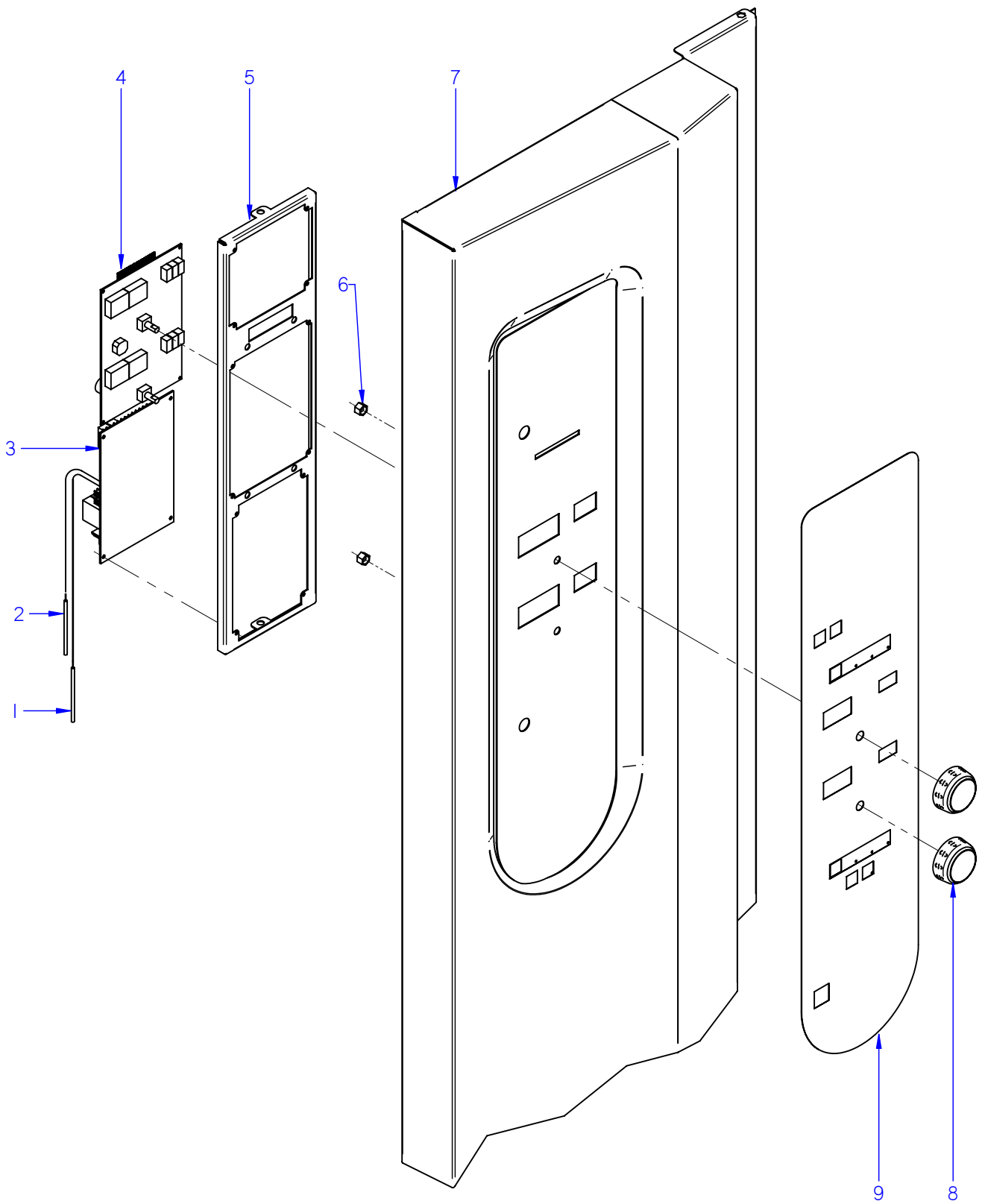
| MOD. | | HORNOS / OVEN | | ZONA | | CONDUCCIONES DE AGUA / WATER PIPES | | | PLANO | | C-2443 | |
|------|------------|----------------------------|------------------------------|---------|--------|------------------------------------|--|--|-------|--|--------|----------------------|
| ITEM | CODIGO | DENOMINACION | TEXTO | COE-202 | VE-202 | VPE-202 | | | | | | NOTAS |
| 30 | T330707000 | PUNTA ACOPLE MOTOR A VALV. | CONN. POINT MOTOR TO VAL. | | | 1 | | | | | | |
| | Q307084000 | JUNTA TORICA Ø11X3.5 | O-RING Ø11X3.5 | | | 1 | | | | | | ELIMINADO 10,06,12 |
| | Q307078000 | JUNTA TORICA Ø10x3.5 | O-RING Ø10x3.5 | | | 1 | | | | | | INTRODUCIDO 10,06,12 |
| 31 | T330723000 | CUERPO VALVULA COMPLETO | COMPLETE VALVE BODY | | | 1 | | | | | | |
| | Q307080000 | JUNTA TORICA Ø52X3,5 | O-RING Ø52X3.5 | | | 1 | | | | | | |
| | Q307079000 | JUNTA TORICA Ø33x3,5 | O-RING Ø33x3.5 | | | 1 | | | | | | |
| | T330749000 | JUNTA TEFLON VALVULA | TEFLON VALVE BOARD | | | 2 | | | | | | INTRODUCIDO 02.11.09 |
| | T330749000 | JUNTA TEFLON VALVULA | TEFLON VALVE BOARD | | | 1 | | | | | | ELIMINADO 10,10,11 |
| | T330703000 | JUNTA TEFLON VALVULA | TEFLON VALVE BOARD | | | 2 | | | | | | INTRODUCIDO 02.11.09 |
| | T330703000 | JUNTA TEFLON VALVULA | TEFLON VALVE BOARD | | | 1 | | | | | | ELIMINADO 10,10,11 |
| S/Nº | Z200910000 | MANGUERA DESAGUE | DRAIN HOSE | | | 1 | | | | | | |
| 32 | R662629000 | RACORD CIERRE SONDA | PROBE CLOSING ADAPTOR | 1 | 1 | 1 | | | | | | |
| | R662652000 | BICONO CIERRE SONDA | PROBE CLOSING BICONE | 1 | 1 | 1 | | | | | | |
| 33 | T325075000 | FIJACION SONDA CONDENSADOR | COMPLET. PROBE FASTENING | 1 | 1 | 1 | | | | | | |
| 34 | T115086000 | TOBERA 1/8 | NOZZLE 1/8 | 1 | 1 | 1 | | | | | | |
| 35 | T325066000 | JUNTA FIJACION SONDA | PROBE FASTENING SEAL | 1 | 1 | 1 | | | | | | |
| | Q232030000 | ARANDELA A5 | FLAT WASHER A.5 | 4 | 8 | 8 | | | | | | |
| | Q242030000 | ARANDELA ABANICO A5 A.304 | FAN SHAPED WASHER A.5 | 4 | 8 | 8 | | | | | | |
| | Q162030000 | TUERCA EXAGONAL M5 | HEXAGONAL NUT M.5 | 4 | 8 | 8 | | | | | | |
| 36 | 3716000000 | TUBO SILICONA Tº Ø 35*27 | HIGH SILICON PIPE Tº Ø 35*27 | | | 1 | | | | | | |
| | Q881305000 | ABRAZADERA 25-40 | CLAMP 25-40 | | | 2 | | | | | | |
| 37 | T455029000 | TUBO EMPALME GENERADOR | GENERATOR CONNECTI. PIPE | 1 | 1 | 1 | | | | | | |
| | Q881326000 | ABRAZADERA 70-90 | CLAMP 70-90 | 1 | 2 | 2 | | | | | | |
| S/Nº | Z233012000 | CONDENSADOR ANTIPARASIT. | ANTIPARASIT. CONDENS. | 3 | 4 | 4 | | | | | | INTRODUCIDO 03.05.10 |
| | | | | | | | | | | | | |
| | | | | | | | | | | | | |
| | | | | | | | | | | | | |
| | | | | | | | | | | | | |
| | | | | | | | | | | | | |
| | | | | | | | | | | | | |



ITEM MARCADO EN COLOR = REPUESTO RECOMENDADO
 COLOURED ITEM = RECOMMENDED SPARE PART

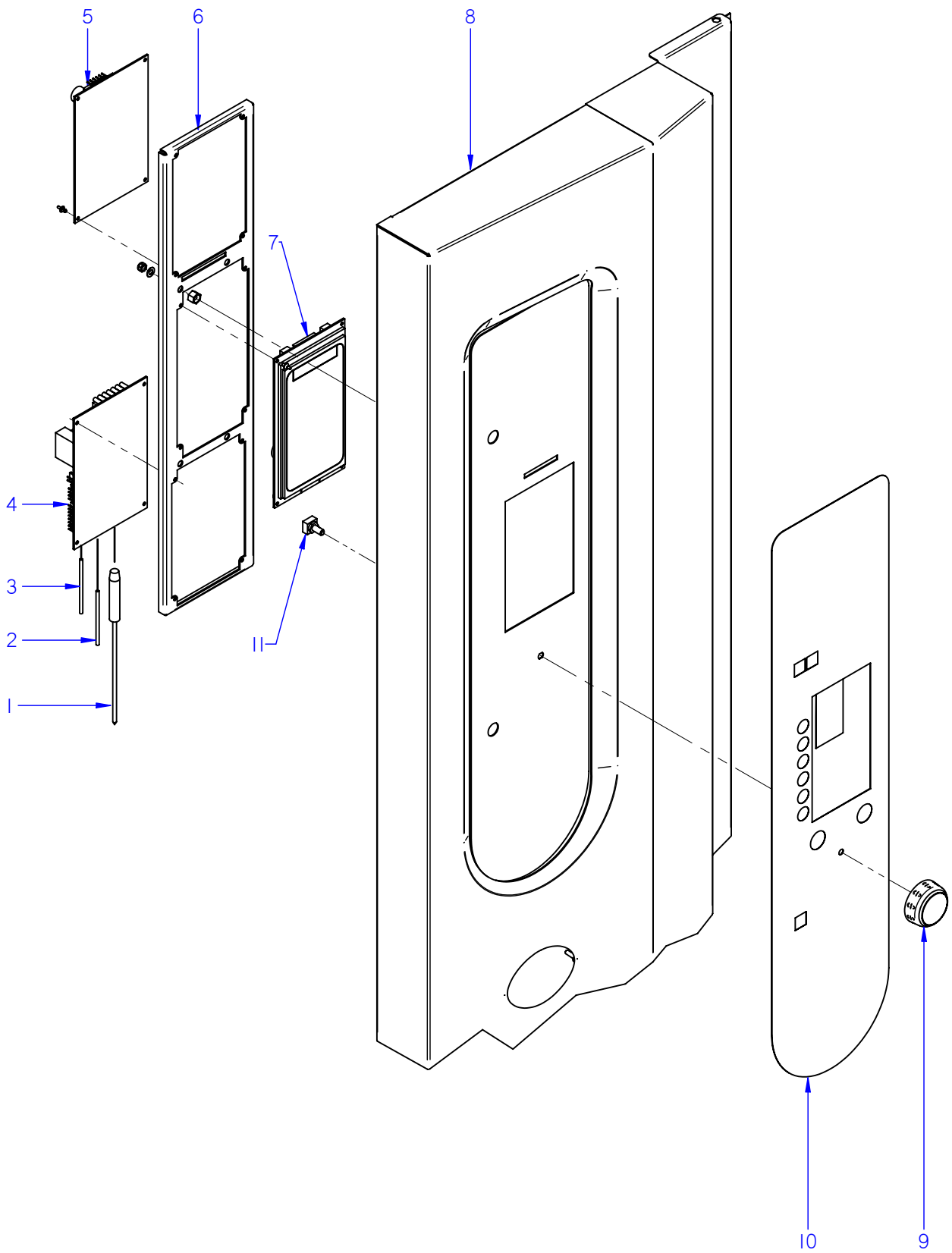
| | | | | | | |
|---------|--------------------|---------|-------------------------|-------------------|--------|---------------------------------------|
| N plano | Firma | Fecha | Aparato | CIRCUITO DE VAPOR | Lamina | Fagor Industrial S.Coop. FAGOR |
| C-2444 | <i>[Signature]</i> | 2009-09 | HORNOS VE-102 / VPE-202 | | 7 | Oñate |

| MOD. | | HORNOS / OVEN | | ZONA | | CIRCUITO DE VAPOR / STEAM CIRCUIT | | | | PLANO | | C-2444 | |
|------|------------|---------------------------------|------------------------------|--------|---------|-----------------------------------|--|--|--|-------|--|----------------------|--|
| ITEM | CODIGO | DENOMINACION | TEXTO | VE-202 | VPE-202 | | | | | | | NOTAS | |
| 1 | 1100003147 | KIT GENERADOR DE VAPOR 20/21 | STEAM GENERATOR KIT 20/21 | 1 | 1 | | | | | | | | |
| 2 | T722608000 | TUBO FLEXIBLE Ø53X360 | FLEXIBLE TUBE Ø53X360 | 1 | 1 | | | | | | | ELIMINADO 28,06,11 | |
| 2 | 12041855 | TUBO FLEXIBLE Ø53X360 VARIL INC | FLEXIBLE TUBE Ø53X360 | 1 | 1 | | | | | | | INTRODUCIDO 28,06,11 | |
| | Q881307000 | ABRAZADERA 40*60 | CLAMP 40*60 | 2 | 2 | | | | | | | | |
| 3 | R015010000 | TUERCA TAPON 1" | PLUG NUT 1" | 1 | 1 | | | | | | | | |
| 4 | R015011000 | ARANDELA Ø32 | WASHER Ø32 | 1 | 1 | | | | | | | | |
| 5 | 3715900000 | TUBO SILICONA T° Ø 26*18 | HIGH SILICON PIPE T° Ø 26*18 | 2 | 2 | | | | | | | | |
| | Q901311000 | ABRAZADERA ELASTICA 26,7*28,1 | ELAST. CLAMP 26,7*28,1 | 4 | 4 | | | | | | | | |
| 6 | R345060000 | ELECTRODO ALTO | HIGH LEVEL ELECTRODE | 1 | 1 | | | | | | | | |
| 7 | R345063000 | ELECTRODO BAJO | LOW LEVEL ELECTRODE | 1 | 1 | | | | | | | | |
| 8 | R345064000 | ELECTRODO DE MASA | EARTH ELECTRODE | 1 | 1 | | | | | | | | |
| | Q232020000 | ARANDELA A4 | FLAT WASHER A.4 | 3 | 3 | | | | | | | | |
| | Q162020000 | TUERCA EXAGONAL M4 | HEXAGONAL NUT M.4 | 3 | 3 | | | | | | | | |
| 9 | R345069000 | GUIA AISLANTE | INSULATION GUIDE | 3 | 3 | | | | | | | | |
| 10 | T325077000 | BOTE DE NIVELES | LEVELS VESSEL | 1 | 1 | | | | | | | ELIMINADO 13.09.10 | |
| 10 | T325079000 | BOTE DE NIVELES | LEVELS VESSEL | 1 | 1 | | | | | | | INTRODUCIDO 13.09.10 | |
| | Q228051000 | TUERCA EXAGONAL M8 PLASTIC | HEXAGONAL NUT M8 PLASTIC | 1 | 1 | | | | | | | | |
| 11 | T323007000 | JUNTA CIERRE RESISTENCIAS | RESISTOR SEAL | 6 | 6 | | | | | | | | |
| | Q232030000 | ARANDELA A5 | WASHER A.5 | 36 | 36 | | | | | | | | |
| | Q242030000 | ARANDELA ABANICO A5 A.304 | FAN SHAPED WASHER A.5 | 36 | 36 | | | | | | | | |
| | Q163030000 | TUERCA EXAGONAL M5 LATON | HEXAGONAL NUT M5 | 36 | 36 | | | | | | | | |
| 12 | T323006000 | RESISTENCIA 3x3000W 230V | RESISTOR 3x3000W 230V | 1 | 1 | | | | | | | | |
| 13 | T323038000 | RESISTENCIA 3x3000W 230V | RESISTOR 3x3000W 230V | 5 | 5 | | | | | | | | |
| 14 | 3676900000 | T. GOMA NEGRA Ø17*10 | BLACK RUBBER PIPE Ø17*10 | 1 | 1 | | | | | | | | |
| | Q881302000 | ABRAZADERA 12*20 | CLAMP 12-20 | 2 | 2 | | | | | | | | |
| 15 | P443042000 | REGULADOR 3 L. VERDE 254,023 | REGULATOR 3 L. GREEN | 1 | 1 | | | | | | | | |
| 16 | P255001000 | ELECTROVALVULA DOBLE | DOUBLE SOLENOID VALVE | 1 | 1 | | | | | | | ELIMINADO 14.12.09 | |
| 17 | 3715900000 | TUBO SILICONA T° Ø 26*18 | HIGH SILICON PIPE T° Ø 26*18 | 1 | 1 | | | | | | | | |
| | Q901311000 | ABRAZADERA ELASTICA 26,7*28,1 | ELAST. CLAMP 26,7*28,1 | 2 | 2 | | | | | | | | |
| | | | | | | | | | | | | | |
| | | | | | | | | | | | | | |



ITEM MARCADO EN COLOR = REPUESTO RECOMENDADO
 COLOURED ITEM = RECOMMENDED SPARE PART

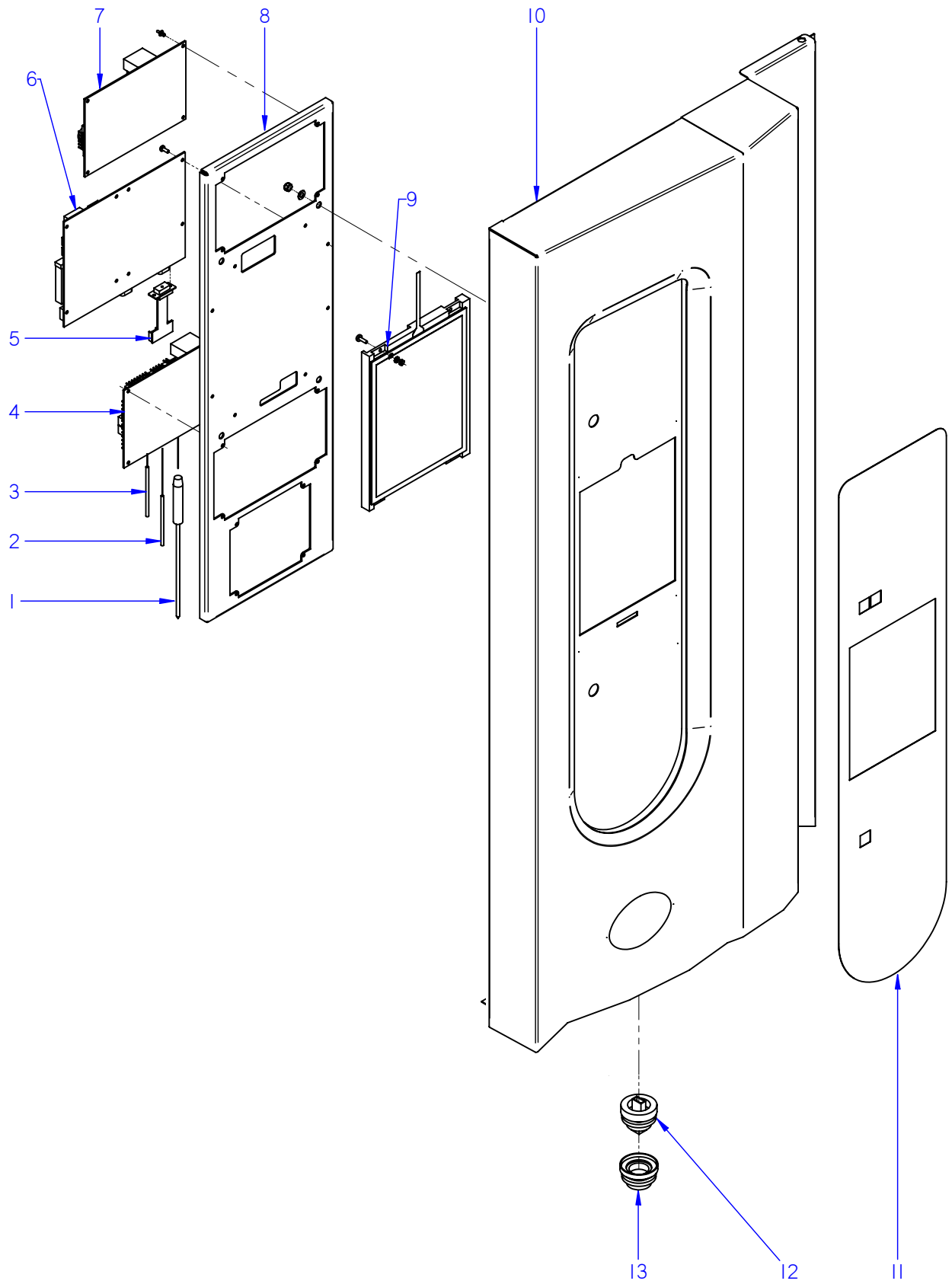
| | | | | | | |
|---------|--------------------|---------|----------------|--------------------------------|--------|---------------------------------------|
| N plano | Firma | Fecha | Aparato | CONJUNTO ELECTRICO PORTAMANDOS | Lamina | Fagor Industrial S.Coop. FAGOR |
| C-2445 | <i>[Signature]</i> | 2009-09 | HORNOS COE-202 | | 8 | Oñate |



ITEM MARCADO EN COLOR = REPUESTO RECOMENDADO
 COLOURED ITEM = RECOMMENDED SPARE PART

| | | | | | | |
|---------|--------------------|---------|---------------|--------------------------------|--------|---------------------------------------|
| N plano | Firma | Fecha | Aparato | CONJUNTO ELECTRICO PORTAMANDOS | Lamina | Fagor Industrial S.Coop. FAGOR |
| C-2446 | <i>[Signature]</i> | 2009-09 | HORNOS VE-202 | | 9 | Oñate |

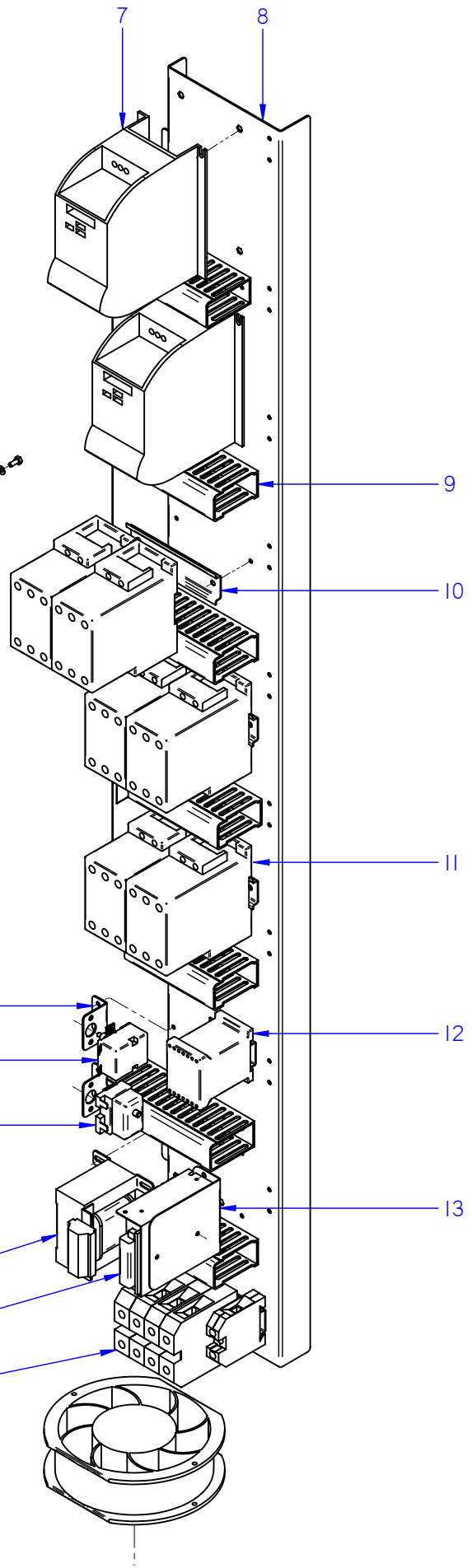
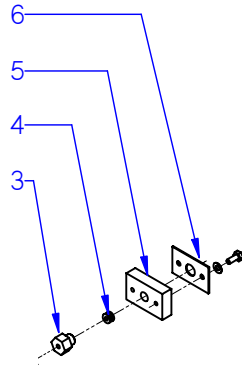
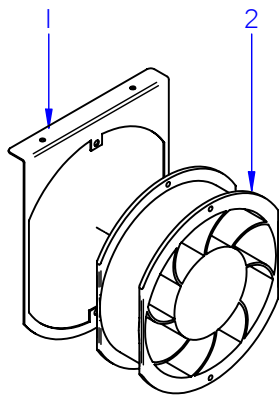
| APARATO / APPLIANCE | | HORNOS / OVENS | | ZONA / ZONE | | CONJUNTO ELECTRICO PORTAMANDOS / CONTROL HOLDER ELECTRIC UNIT | | | | | | | PLANO DRAWING | | C-2446 |
|------------------------|---------------------|--------------------------------|-----------------------------|-------------|--|--|--|--|--|--|--|-------------------------|---------------------------|-------|--------|
| ITEM | CODIGO REFERENCE | DENOMINACION | DENOMINATION | VE-202 | | | | | | | | ELIMINADO ELIMINATED | INTRODUCID. INTRODUCED | NOTAS | |
| 1 | T303007000 | CONJUNTO SONDA PARA NUCLEO | PROBE UNIT FOR CORE | 1 | | | | | | | | | | | |
| 2 | T323011000 | CONJUN. TERMOPAR CAMARA (K) | CHAMBER THERMOCOUPLE UNIT | 1 | | | | | | | | | | | |
| 3 | T323024000 | CONJUN. TERMOPAR VAPOR 10/2 | STEAM THERMOCOUPLE UNIT 1 | 2 | | | | | | | | | | | |
| 4 | T553003000 | TARJETA CONTROL DE CAMARA | CHAMBER CONTROL CARD | 1 | | | | | | | | 16,11,11 | | | |
| 4 | 12097540 | CONTROL TARJETA CAM.12V AC . | CARD CONTROL 12V AC 50/60Hz | 1 | | | | | | | | | 16,11,11 | | |
| | Q221026000 | CLIP SUJECIÓN RÁPIDA Ø 4 | RAPID CONNECT CLIP Ø 4 | 4 | | | | | | | | | | | |
| 5 | T553002000 | TARJETA CONTROL CALDERA | BOILER CONTROL CARD | 1 | | | | | | | | 16,11,11 | | | |
| 5 | 12097545 | CONTROL TARJETA CALD. 12V AC | CARD CONTROL 12V AC 50/60Hz | 1 | | | | | | | | | 16,11,11 | | |
| | Q221026000 | CLIP SUJECIÓN RÁPIDA Ø 4 | RAPID CONNECT CLIP Ø 4 | 4 | | | | | | | | | | | |
| 6 | T612805000 | SOPORTE CIRCUITOS HEM10/21 | CIRCUIT SUPPORT HEM10/21 | 1 | | | | | | | | | | | |
| | Q232030000 | ARANDELA A5 | WASHER A.5 | 4 | | | | | | | | | | | |
| | Q221308000 | TUERCA EXAGONAL AUT M5 H. ZI. | HEXAGONAL NUT M5 H. ZINC, | 4 | | | | | | | | | | | |
| 7 | T913003000 | CIRC PORTAMANDOS HEM HGV | CONTROL HOLDER CIRCUIT HEM | 1 | | | | | | | | 16,11,11 | | | |
| 7 | 12046658 | VISUALIZADOR 12V AC 50/60Hz 32 | 12V AC 50/60Hz 32 D DISPLAY | 1 | | | | | | | | | 16,11,11 | | |
| 8 | T512806000 | PANEL PORTAMANDOS 20-21 HEM | CONTROL PANEL 20-21 HEM | 1 | | | | | | | | | | | |
| 9 | T903007000 | BOTON DE MANDO | CONTROL BUTTON | 1 | | | | | | | | | | | |
| 10 | T613006000 | SERIGRAFIA HEM 21 | SERIGRAPHY HEM 21 | 1 | | | | | | | | | | | |
| 11 | T513009000 | ENCODER GAMA VISUAL | VISUAL RANGE ENCODER | 1 | | | | | | | | | | | |
| | | | | | | | | | | | | | | | |
| | | | | | | | | | | | | | | | |
| | | | | | | | | | | | | | | | |
| | | | | | | | | | | | | | | | |
| | | | | | | | | | | | | | | | |
| | | | | | | | | | | | | | | | |
| | | | | | | | | | | | | | | | |
| | | | | | | | | | | | | | | | |
| | | | | | | | | | | | | | | | |
| | | | | | | | | | | | | | | | |



ITEM MARCADO EN COLOR = REPUESTO RECOMENDADO
 COLOURED ITEM = RECOMMENDED SPARE PART

| | | | | | | |
|---------|--------------------|---------|----------------|--------------------------------|--------|---------------------------------------|
| N plano | Firma | Fecha | Aparato | CONJUNTO ELECTRICO PORTAMANDOS | Lamina | Fagor Industrial S.Coop. FAGOR |
| C-2447 | <i>(Signature)</i> | 2009-10 | HORNOS VPE-202 | | 10 | Oñate |

| APARATO / APPLIANCE | | HORNOS / OVENS | | ZONA / ZONE | | CONJUNTO ELECTRICO PORTAMANDOS / CONTROL HOLDER ELECTRIC UNIT | | | | | | PLANO DRAWING | | C-2447 |
|------------------------|---------------------|------------------------------|-----------------------------|-------------|--|--|--|--|--|--|-------------------------|---------------------------|-------|--------|
| ITEM | CODIGO REFERENCE | DENOMINACION | DENOMINATION | VPE-202 | | | | | | | ELIMINADO ELIMINATED | INTRODUCID. INTRODUCED | NOTAS | |
| 1 | T623006000 | CONJUN. SONDA NUCLEO 5 PUNT | PROBE UNIT FOR CORE | 1 | | | | | | | 15,06,10 | | | |
| 2 | T323011000 | CONJUN. TERMOPAR CAMARA (K) | CHAMBER THERMOCOUPLE UN | 1 | | | | | | | 15,06,10 | | | |
| 3 | T323024000 | CONJUN. TERMOPAR VAPOR 10/2 | STEAM THERMOCOUPLE UNIT 1 | 2 | | | | | | | | | | |
| 4 | T553003000 | TARJETA CONTROL DE CAMARA | CHAMBER CONTROL CARD | 1 | | | | | | | 16,11,11 | | | |
| 4 | 12097540 | CONTROL TARJETA CAM.12V AC . | CARD CONTROL 12V AC 50/60H | 1 | | | | | | | | 16,11,11 | | |
| | Q221026000 | CLIP SUJECIÓN RÁPIDA Ø 4 | RAPID CONNECT CLIP Ø 4 | 4 | | | | | | | | | | |
| 5 | T553007000 | MOCHILA BMF | DONGLE BMF | 1 | | | | | | | | | | |
| 5 | T553007000 | MOCHILA BMF | DONGLE BMF | 1 | | | | | | | 15,06,10 | | | |
| 6 | T553001000 | CIRC. PORTAMANDOS GAMA ALTA | CONTROL HOLDER CIRC. HIGH | 1 | | | | | | | 15,06,10 | | | |
| | T133007000 | DISTANCIADOR M3 | SPACER M3 | 4 | | | | | | | | | | |
| | T133008000 | TORNILLO AMARRE M3 | ANCHORING SCREW M3 | 6 | | | | | | | | | | |
| | Q161310000 | TUERCA EXAGONAL M3 H. ZINC, | HEXAGONAL NUT M3 H. ZINC, | 6 | | | | | | | | | | |
| 7 | T553009000 | TARJETA CONTROL CALDERA | BOILER CONTROL CARD | 1 | | | | | | | 01,06,10 | | | |
| 7 | T553002000 | TARJETA CONTROL CALDERA | BOILER CONTROL CARD | 1 | | | | | | | 16,11,11 | 01,06,10 | | |
| 7 | 12097545 | CONTROL TARJETA CALD. 12V AC | CARD CONTROL 12V AC 50/60H | 1 | | | | | | | | 16,11,11 | | |
| | Q221026000 | CLIP SUJECIÓN RÁPIDA Ø 4 | RAPID CONNECT CLIP Ø 4 | 4 | | | | | | | | | | |
| 8 | T652802000 | SOPORTE PROGRAM HEP HGP 21 | PROGRAM. SUPPORT HEP HGP | 1 | | | | | | | 15,06,10 | | | |
| 8 | T652804000 | SOPORTE CIRCUITOS VPE VPG 21 | SUPPORT CIRCUITS VPE VPG 2 | 1 | | | | | | | | 15,06,10 | | |
| 9 | T623004000 | PANTALLA TACTIL 8,4 | TOUCH SCREEN 8,4 | 1 | | | | | | | 15,06,10 | | | |
| 9 | T553010000 | PLATAFORMA VISUAL PLUS | VISUAL PLUS PLATFORM | 1 | | | | | | | | 15,06,10 | | |
| | Q032011000 | TORNILLO ALOMADO M3x10 | CURVED SCREW M.3x10 | 4 | | | | | | | | | | |
| | Q242010000 | ARANDELA ABANICO A3 A.304 | FAN SHAPED WASHER A.3 | 4 | | | | | | | | | | |
| | Q161310000 | TUERCA EXAGONAL M3 H. ZINC, | HEXAGONAL NUT M3 H. ZINC, | 4 | | | | | | | | | | |
| 10 | T522802000 | PANEL PORTAMANDOS 20-21 HEP | CONTROL PANEL 20-21 HEP | 1 | | | | | | | 15,06,10 | | | |
| 10 | T522804000 | PANEL PORTAMANDOS VPE-202 | CONTROL PANEL VPE-202 | 1 | | | | | | | | 15,06,10 | | |
| 11 | T623003000 | SERIGRAFIA HEP 21 | SERIGRAPHY HEP 21 | 1 | | | | | | | 15,06,10 | | | |
| 11 | T623007000 | SERIGRAFIA VISUAL PLUS | SERIGRAPHY VISUAL PLUS | 1 | | | | | | | 01,12,10 | | | |
| 11 | T623016000 | SERIGRAFIA VISUAL PLUS 8" 16 | SERIGRAPHY VISUAL PLUS 8" 1 | 1 | | | | | | | | 01,12,10 | | |
| 12 | T723006000 | CONECTOR USB VISUAL PLUS | VISUAL PLUS USB CONNECTOR | 1 | | | | | | | | | | |
| 13 | T723007000 | TAPA USB VISUAL PLUS | VISUAL PLUS USB COVER | 1 | | | | | | | | | | |



ITEM MARCADO EN COLOR = REPUESTO RECOMENDADO
COLOURED ITEM = RECOMMENDED SPARE PART

| | | | | | | |
|---------|--------------------|---------|---------------------------|------------------|--------|---------------------------------------|
| N plano | Firma | Fecha | Aparato | CUADRO ELECTRICO | Lamina | Fagor Industrial S.Coop. FAGOR |
| C-2448 | <i>[Signature]</i> | 2009-10 | HORNOS COE / VE / VPE-202 | | 11 | Oñate |

| MOD. | | HORNOS / OVEN | | ZONA | | CUADRO ELECTRICO / ELECTRIC PANEL | | PLANO | | C-2448 | |
|------|------------|-------------------------------|-----------------------------|---------|--------|-----------------------------------|--|-------|--|--------|----------------------|
| ITEM | CODIGO | DENOMINACION | TEXTO | COE-202 | VE-202 | VPE-202 | | | | | NOTAS |
| 1 | T513001000 | CHAPA AMARRE VENTILADOR | FAN HOLDER PLATE | 2 | 2 | 2 | | | | | |
| | Q412002000 | REMACHE AVINOX Ø4x10MM | TUBULAR RIVET 4x7,5 | 2 | 2 | 2 | | | | | |
| | Q031322000 | TORNILLO ALOMADO M4x15 | CURVED SCREW M.4x15 | 4 | 4 | 4 | | | | | |
| | Q232020000 | ARANDELA A4 | WASHER A.4 | 4 | 4 | 4 | | | | | |
| | Q242020000 | ARANDELA ABANICO A4 A.304 | FAN SHAPED WASHER A.4 | 4 | 4 | 4 | | | | | |
| | Q162020000 | TUERCA EXAGONAL M4 | HEXAGONAL NUT M.4 | 4 | 4 | 4 | | | | | |
| 2 | T453005000 | VENTILADOR 230V.20/21 | FAN 230V 20/21 | 2 | 2 | 2 | | | | | |
| 3 | R662629000 | RACORD CIERRE SONDA | PROBE CLOSING ADAPTOR | 2 | 2 | 2 | | | | | |
| S/Nº | R662662000 | JUNTA CIERRE BULBO LIMITADOR | BULB LIMITER CLOSING SEAL | 1 | 1 | 1 | | | | | |
| 4 | R662652000 | BICONO CIERRE SONDA | PROBE CLOSING BICONE | 1 | 1 | 1 | | | | | |
| 5 | T112625000 | BASE CIERRE SONDA | FIXING CORE PROBE | 2 | 2 | 2 | | | | | |
| 6 | R692812000 | JUNTA PASAMUROS SIMPLE | SIMPLE FEEDTHROUGH SEAL | 2 | 2 | 2 | | | | | |
| | Q232020000 | ARANDELA A4 | WASHER A.5 | 4 | 4 | 4 | | | | | |
| | Q012021000 | TORNILLO EXAGONAL M4X10 | HEXAGONAL SCREW M.4X10 | 4 | 4 | 4 | | | | | |
| 7 | T323037000 | VARIADOR FRECUENCIA SIE 0,37 | FREQUENCY VARIATOR SIE 0.37 | 2 | 2 | 2 | | | | | |
| | Q232020000 | ARANDELA A4 | WASHER A.5 | 4 | 4 | 4 | | | | | |
| | Q242020000 | ARANDELA ABANICO A4 A.304 | FAN SHAPED WASHER A.4 | 4 | 4 | 4 | | | | | |
| | Q032021000 | TORNILLO ALOMADO M4X10 | CURVED SCREW M.4x10 | 4 | 4 | 4 | | | | | |
| 8 | T513007000 | CHAPA CUADRO ELEC 20/21 | SQUARE PLATE ELEC 20/21 | 1 | 1 | 1 | | | | | ELIMINADO 01.10.10 |
| 8 | T513010000 | CHAPA CUADRO ELEC 202 E | SQUARE PLATE ELEC 202 E | 1 | 1 | 1 | | | | | INTRODUCIDO 01.10.10 |
| | Q221341000 | REMACHE EXAGONAL M4 | HEXAGONAL RIVET M.4 | 8 | 8 | 8 | | | | | |
| | Q221342000 | REMACHE EXAGONAL M5 | HEXAGONAL RIVET M.5 | 3 | 3 | 3 | | | | | |
| | Q232030000 | ARANDELA A5 | WASHER A.5 | 4 | 4 | 4 | | | | | |
| | Q242030000 | ARANDELA ABANICO A5 A.304 | FAN SHAPED WASHER A.5 | 4 | 4 | 4 | | | | | |
| | Q012032000 | TORNILLO EXAGONAL M5x15A304 | HEXAGONAL SCREW M.5x15 | 4 | 4 | 4 | | | | | |
| 9 | 3715520000 | CANALETA UNEX 60.30.77 / 0.12 | PIPING UNEX 60.30.77 / 0.12 | 8 | 7 | 8 | | | | | |
| | Q412002000 | REMACHE AVINOX Ø4x10MM | TUBULAR RIVET 4x7,5 | 28 | 32 | 34 | | | | | |
| 10 | R663055000 | GUIA CONTACTOR L-120 | CONTACTOR GUIDE L=120 | 3 | 4 | 4 | | | | | |
| 10 | Z123018000 | GUIA CONTACTOR L-55 | CONTACTOR GUIDE L=55 | 1 | 1 | 1 | | | | | |
| 11 | T453016000 | CONTACTOR 50A 3RT1034-1AL20 | 50A 3RT1034-1AL20 CONTACT. | 4 | - | 6 | | | | | |
| 11 | T453016000 | CONTACTOR 50A 3RT1034-1AL20 | 50A 3RT1034-1AL20 CONTACT. | - | 6 | - | | | | | INTRODUCIDO 10.04.10 |

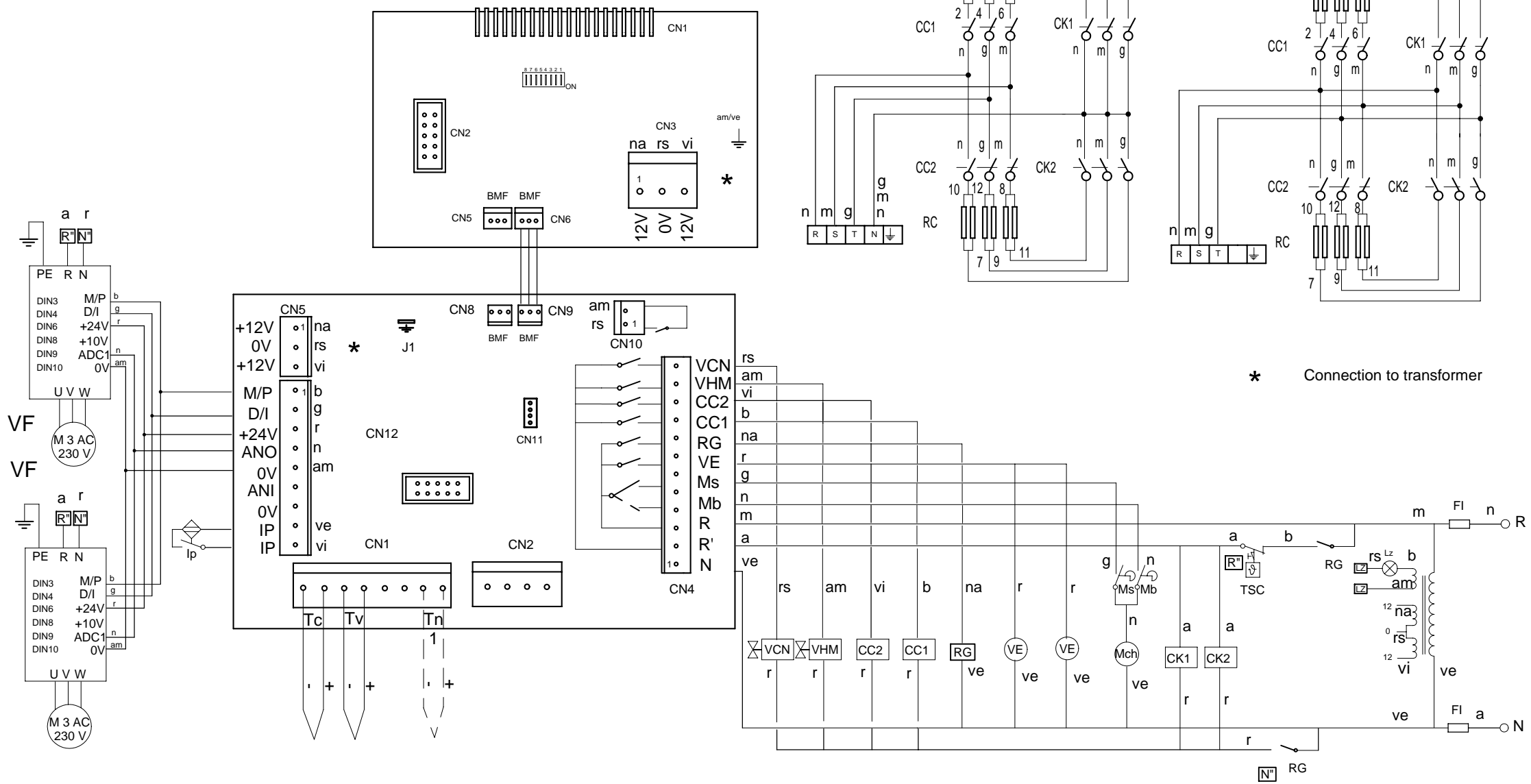
| MOD. | | HORNOS / OVEN | | ZONA | | CUADRO ELECTRICO / ELECTRIC PANEL | | | PLANO | | C-2448 |
|------|------------|--------------------------------|------------------------------|---------|--------|-----------------------------------|--|--|-------|--|----------------------|
| ITEM | CODIGO | DENOMINACION | TEXTO | COE-202 | VE-202 | VPE-202 | | | | | NOTAS |
| 12 | Z203050000 | CONTAC. SIRIUS 3R 230V.50-60 | SIRIUS 3R 230V.50-60 CONTAC. | 1 | 7 | 1 | | | | | ELIMINADO 01.10.10 |
| 12 | Z213007000 | CONTACTOR 230V.50-60 | 230V.50-60 CONTACTOR | 1 | 1 | 1 | | | | | INTRODUCIDO 01.10.10 |
| 13 | T553008000 | SOPORTE ALIMENTACION | POWER SUPPLY SUPPORT | - | - | 1 | | | | | ELIMINADO 15.06.10 |
| | Q232020000 | ARANDELA A4 | WASHER A.4 | - | - | 4 | | | | | ELIMINADO 15.06.10 |
| | Q242020000 | ARANDELA ABANICO A4 A.304 | FAN SHAPED WASHER A.4 | - | - | 4 | | | | | ELIMINADO 15.06.10 |
| | Q032021000 | TORNILLO ALOMADO M4x10 | CURVED SCREW M.4x10 | - | - | 4 | | | | | ELIMINADO 15.06.10 |
| 14 | T723009000 | PULSADOR SERIE MICRO | MICRO SWITCH SERIES | - | - | 1 | | | | | INTRODUCIDO 15.11.09 |
| 15 | R143011000 | BORNA WDU-70/N REF.951219 | WDU-70/N REF.951219TERMINAL | 3 | 3 | 3 | | | | | |
| | Z103035000 | BORNA TIERRA 35MM | EARTH TERMINAL 35mm | 1 | 1 | 1 | | | | | |
| | R143012000 | BORNA WPU-70/N AZ. REF.951242 | WPU-70/N AZ. REF.951242 TER. | 1 | 1 | 1 | | | | | |
| | R073005000 | BORNA PORTAFUSIBLES | FUSE HOLDER TERMINAL | 2 | 2 | 2 | | | | | |
| | Z263303000 | TOPE FINAL | END BUFFER | 1 | 1 | 1 | | | | | ELIMINADO 01.10.10 |
| 16 | T553005000 | ALIMENT PORTAMAN VISUAL PLUS | VISUAL PLUS CONTROL HOLDEP | - | - | 1 | | | | | ELIMINADO 15.06.10 |
| 17 | R503005000 | TRANSFORMADOR 230/12-0-12,0-1 | TRANSFORMER 230/12-0-12,0-1 | 1 | 1 | - | | | | | |
| 17 | R503005000 | TRANSFORMADOR 230/12-0-12,0-1 | TRANSFORMER 230/12-0-12,0-1 | - | - | 1 | | | | | ELIMINADO 15.06.10 |
| 17 | T853002000 | TRANSFORMADOR 12-0-12-0,24-0 | TRANSFORMER 12-0-12-0,24-0 | - | - | 1 | | | | | INTRODUCIDO 15.06.10 |
| 18 | Z953035000 | TERMOSTATO LIMITADOR AVISO | LIMITER THERMOSTAT WARNIN | - | 1 | 1 | | | | | |
| 19 | T303009000 | TERMOSTATO LIMITADOR | THERMOSTAT LIMITER | 1 | 1 | 1 | | | | | |
| | Z953041000 | TUERCA M.10x1 EGO 00.00600.075 | NUT M.10x1 EGO 00.00600.075 | 1 | 2 | 2 | | | | | |
| 20 | R343039000 | SOPORTE TERMOS VAPOR | THERMOSTAT SUPPORT | 1 | 2 | 2 | | | | | |
| | Q412002000 | REMACHE AVINOX Ø4x10MM | TUBULAR RIVET 4x7,5 | 2 | 4 | 4 | | | | | |
| S/Nº | Z233012000 | CONDENSADOR ANTIPARASITARIO | ANTIPARASITIC CONDENSER | 2 | 3 | 3 | | | | | |
| | | | | | | | | | | | |
| | | | | | | | | | | | |
| | | | | | | | | | | | |
| | | | | | | | | | | | |
| | | | | | | | | | | | |
| | | | | | | | | | | | |
| | | | | | | | | | | | |
| | | | | | | | | | | | |
| | | | | | | | | | | | |

| MOD. | | HORNOS / OVEN | ZONA | VARIOS / MISCELLANEOUS | | | PLANO | |
|------|------------|--------------------------------|------------------------------|------------------------|--------|---------|-------|-----------------------------|
| ITEM | CODIGO | DENOMINACION | TEXTO | COE-202 | VE-202 | VPE-202 | | |
| | T906501000 | MANUAL DE INSTRUCCION. COE | INSTRUCTIO. BROCHURE COE | 1 | - | - | | |
| | T916501000 | MANUAL DE INSTRUCC. VE | INSTRUC. BROCHURE VE | - | 1 | - | | |
| | T926501000 | MANUAL DE INSTRUCC. VPE | INSTRUC. BROCHURE VPE SPA | - | - | 1 | | |
| | T326507000 | MANUAL DE INSTRUCC. VPE ING. | INSTRUC. BROCHURE VPE ENG | 1 | 1 | 1 | | ELIMINADO 02.11.09 |
| | T326506000 | MANUAL DE INSTRUCC. VPE FRA. | INSTRUC. BROCHURE VPE FRE | 1 | 1 | 1 | | ELIMINADO 02.11.09 |
| | T326501000 | MANUAL DE INSTRUCC. VPE ALE. | INSTRUC. BROCHURE VPE GER | 1 | 1 | 1 | | ELIMINADO 02.11.09 |
| | T326508000 | MANUAL DE INSTRUCC. VPE ITA. | INSTRUC. BROCHURE VPE ITA | 1 | 1 | 1 | | ELIMINADO 02.11.09 |
| | T503002000 | ESQUE. TEORICO CONCEP E2021 | THE. DIAGRAM VCONCEP E2021 | 1 | - | - | | ELIMINADO 01.10.10 |
| | T513002000 | ESQUEMA TEORICO VISUAL E202 | THEOR. DIAGRAM VISUAL E202 | - | 1 | - | | ELIMINADO 01.10.10 HC-80805 |
| | T523001000 | ESQ. TEORICO VISUAL PLUS E202 | THEOR. DIAGRAM VISUAL PLU | - | - | 1 | | ELIMINADO 01.10.10 |
| | T923015000 | ESQ. TEORICO COE / VE / VPE | THEOR. DIAGRAM COE VE VPE | 1 | 1 | 1 | | INTRODUC. 01.10.10 HC-82334 |
| | T503003000 | PLANO MONTAJE CONCEP E2021 | ASSEMBLY PLAN CONCEP E2021 | 1 | - | - | | ELIMINADO 01.10.10 HC-81479 |
| | T513003000 | PLANO MONTAJE VISUAL E202 | ASSEMBLY PLAN VISUAL E202 | - | 1 | - | | ELIMINADO 01.10.10 HC-81496 |
| | T523002000 | PLANO MONTAJE VIS. PLUS E202 | ASSEMBLY PLAN VIS. PLUS E202 | - | - | 1 | | ELIMINADO 01.10.10 HC-81495 |
| | T623015000 | PLANO DE MONTAJE VPE 102 | ASSEMBLY PLAN VPE 102 | 1 | 1 | 1 | | INTRODUC. 01.10.10 HD-13203 |
| | T503004000 | INSTAL. ELECTRICA CONCEP E2021 | ELEC. INSTALL. CONCEP E2021 | 1 | - | - | | ELIMINADO 01.10.10 HC-81495 |
| | T603011000 | INSTAL. ELECTRICA COE 102 | ELEC. INSTALL. COE 102 | 1 | - | - | | INTRODUC. 01.10.10 HD-13203 |
| | T513006000 | INSTAL. ELECTRICA VISUAL E2021 | ELEC. INSTALL. VISUAL E 2021 | - | 1 | 1 | | ELIMINADO 01.10.10 HC-81495 |
| | T613010000 | INSTAL. ELECTRICA VPE 102 | ELEC. INSTALL. VPE 102 | - | 1 | 1 | | INTRODUC. 01.10.10 HD-13203 |
| | T913006000 | CAB CIRCUIT PORTAMANDOS VIS. | VIS. CONTROL HOLDER CIRCUIT | - | 1 | - | | ELIMINADO 25.10.10 |
| | T503005000 | CABLEADO FUERZA CONCEP E2021 | POWER WIRE. CONCEP E2021 | 1 | - | - | | ELIMINADO 01.10.10 HC-81495 |
| | T503009000 | CABLEADO FUERZA COE-202 | POWER WIRE. COE-202 | 1 | - | - | | INTRODUC. 01.10.10 HD-13203 |
| | T513004000 | CABLEADO FUERZA VISUAL E2021 | POWER WIRE. VISUAL E2021 | - | 1 | 1 | | ELIMINADO 01.10.10 HC-81495 |
| | T513011000 | CABLEADO FUERZA VE 202 | POWER WIRE. VE 202 | - | 1 | 1 | | INTRODUC. 01.10.10 HD-13203 |
| | T503007000 | CABLE. VARIADOR CONCEP E2021 | VARIATOR WIRING CON. E2021 | 1 | 1 | 1 | | ELIMINADO 01.10.10 HC-81495 |
| | T743002000 | CABLE. VARIADOR 201 | VARIATOR WIRING201 | 1 | 1 | 1 | | INTRODUC. 01.10.10 HD-13203 |
| | T503006000 | CABLEADO RESIST. CONCEP E2021 | RESISTOR WIRING CON. E2021 | 1 | - | - | | ELIMINADO 01.10.10 HC-81495 |
| | T503010000 | CABLEADO RESIST. COE-202 | RESISTOR WIRING COE-202 | 1 | - | - | | INTRODUC. 01.10.10 HD-13203 |
| | T513005000 | CABLEADO RESIST. VISUAL E2021 | RESISTOR WIRING VISUAL E202 | - | 1 | 1 | | ELIMINADO 01.10.10 HC-81495 |
| | T513012000 | CABLEADO RESIST. VE-202 | RESISTOR WIRING VE-202 | - | 1 | 1 | | INTRODUC. 01.10.10 HD-13203 |

COE 202

3N-50/60Hz 380/415V

3-50/60Hz 220V



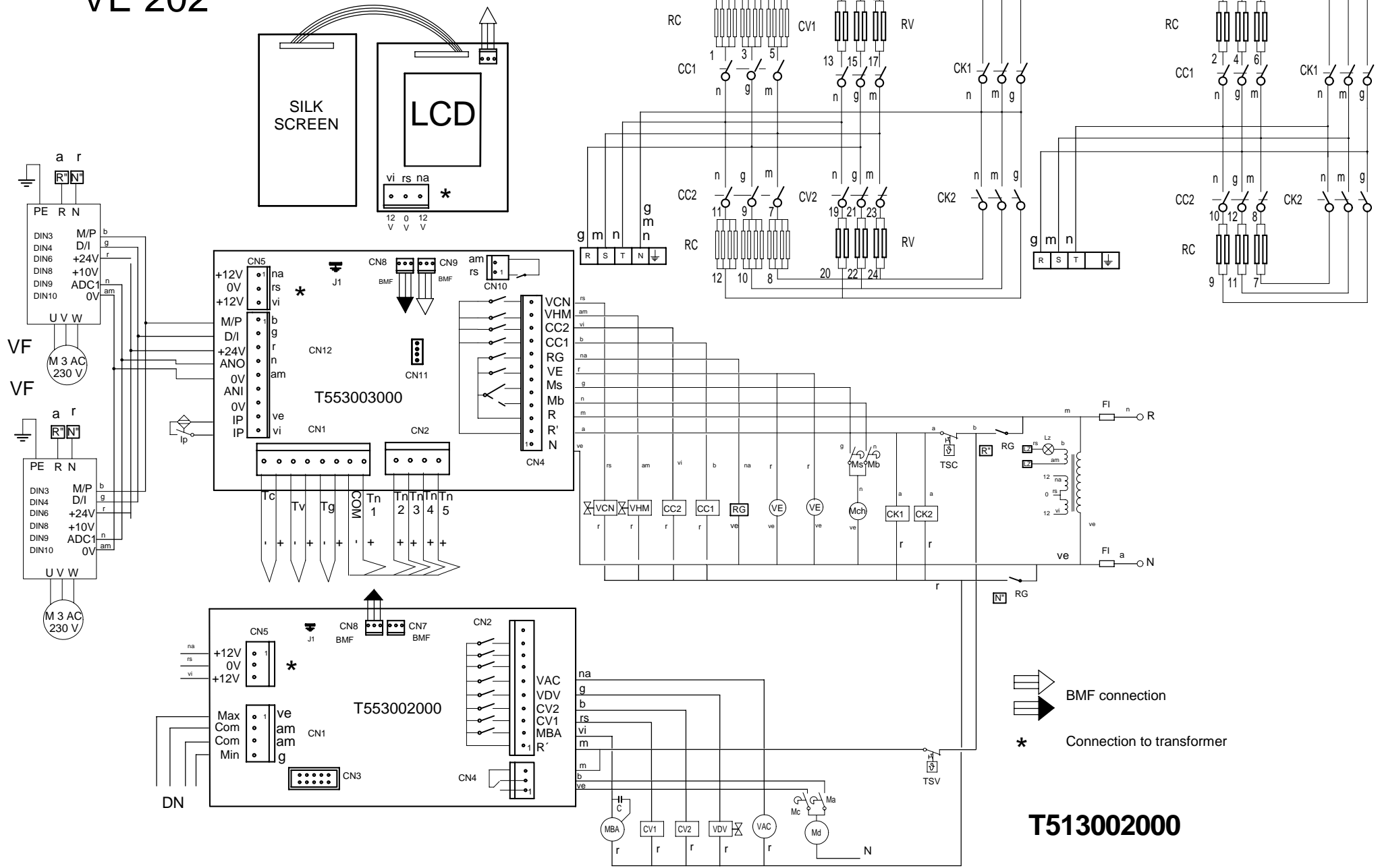
* Connection to transformer

T503002000

VE 202

3N-50/60Hz 380/415V

3-50/60Hz 220V



BMF connection

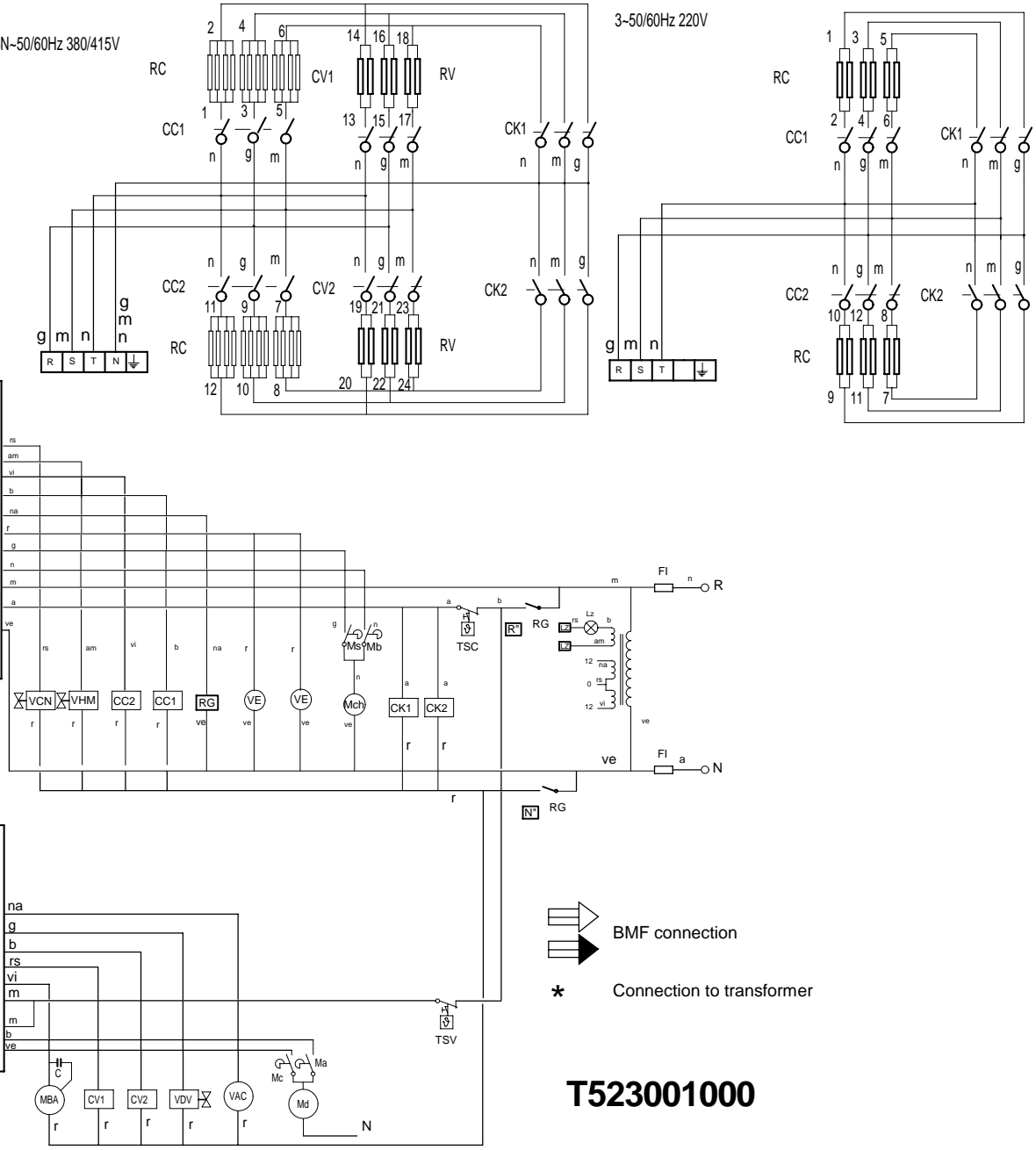
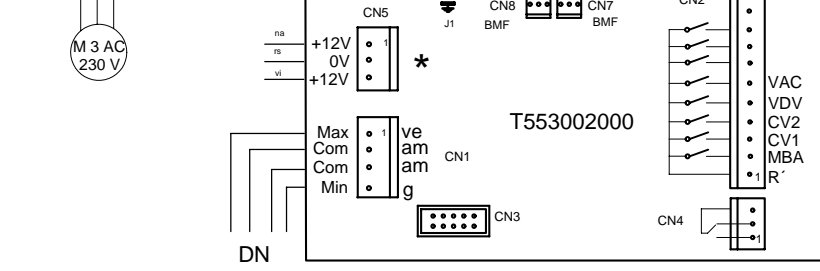
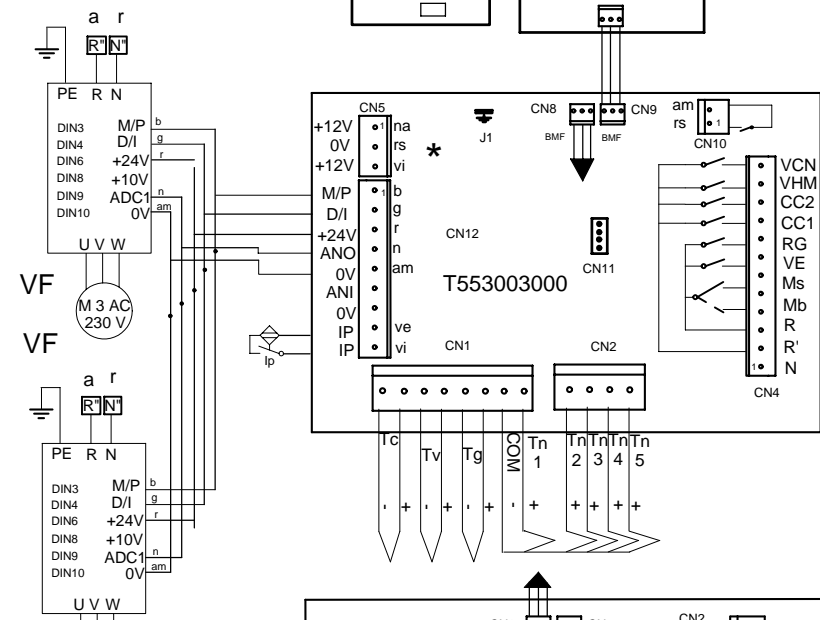
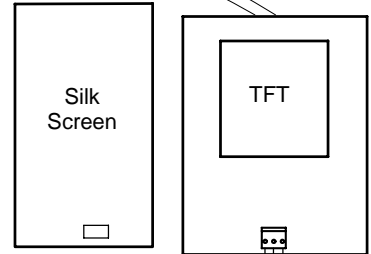
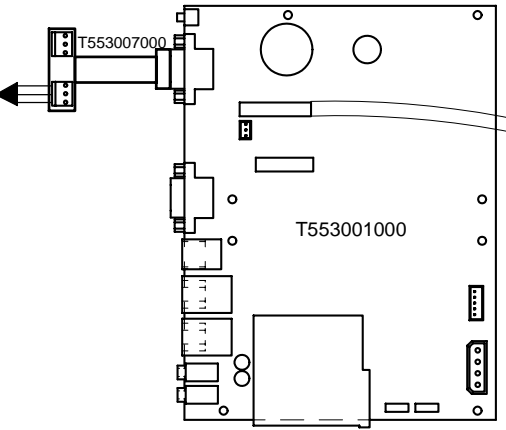
* Connection to transformer

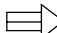

T513002000

VPE 202

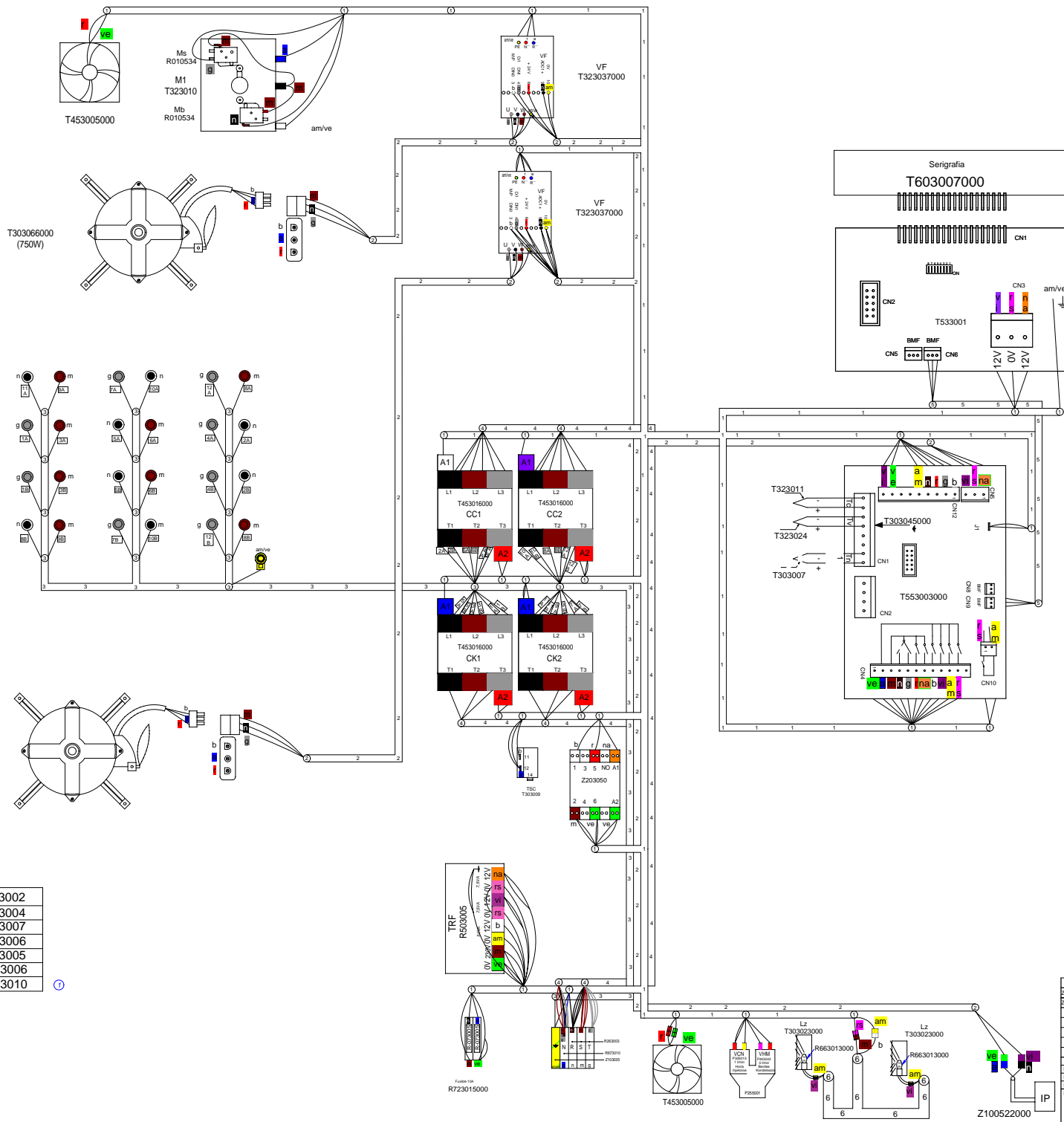
3N-50/60Hz 380/415V

3-50/60Hz 220V



 BMF connection
 Connection to transformer

T523001000

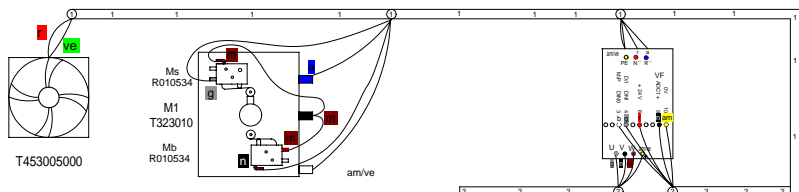


RC 30 kW
T323034 T323035

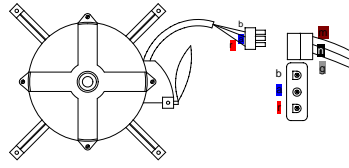
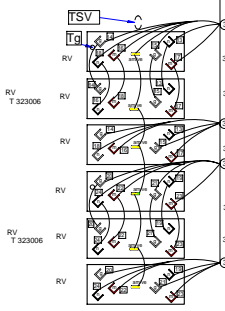
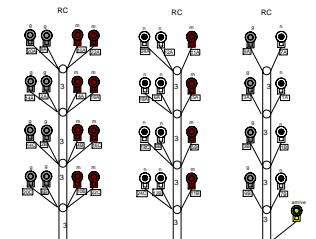
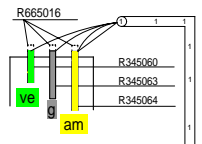
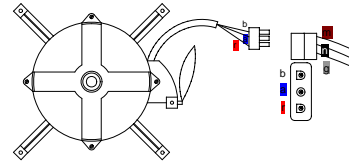
RC 30 kW
T323034 T323035

| Eskema teorikoa | T503002 |
|-----------------|---------|
| 1 | T503004 |
| 2 | T503007 |
| 3 | T503006 |
| 4 | T503005 |
| 5 | T903006 |
| 6 | T493010 |

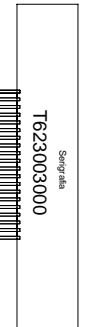
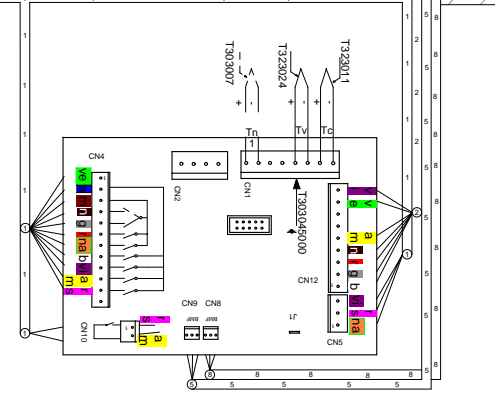
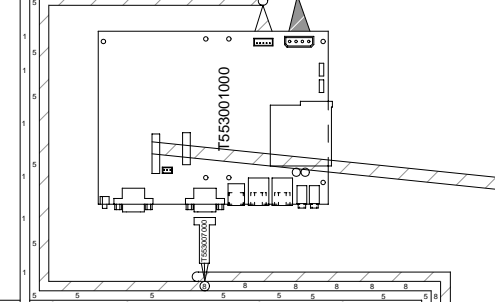
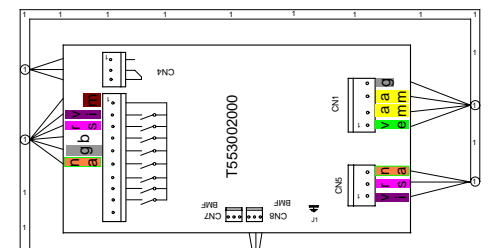
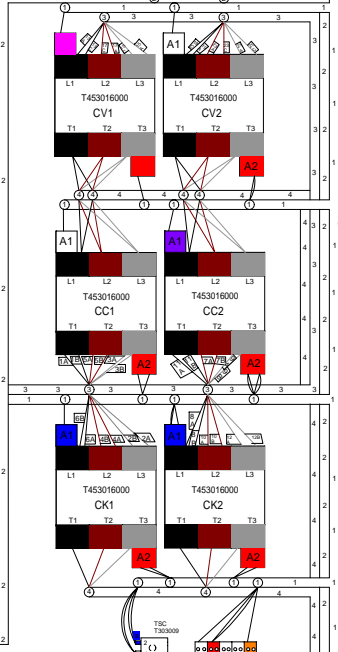
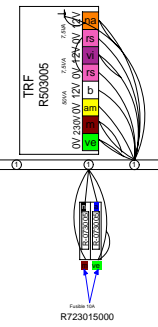
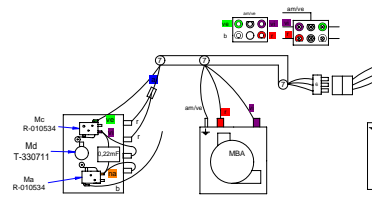
| Muntajko plano: COE 202 | | | | T503003000 | |
|---|---|--------------------------------|------------------|---|-------|
| Zk.Nº | Pieza | Cant. | Materia/Material | Klas. zk/Nº | Clas. |
| Zk.Nº | Aldaketa/Modificaciones | Nºrik. proposatua/Propuesta de | Data/Fecha | Ganazal akaberu/Tratamiento | |
| 1 | T703008 kabletatu aldatu T493010 kabletatu gatik. | jeskibel | 2009-07-23 | Perdo erorkorak Tolerantziak generatzen | |
| - | - | - | - | - | - |
| - | - | - | - | - | - |
| - | - | - | - | - | - |
| - | - | - | - | - | - |
| - | - | - | - | - | - |
| Marrazlea/Dibujado: e. garraio 2009-02-23 Proiektatzaile/Proyectado: e. garraio 2009-02-23 Egiaztatzaile/Comprobado: e. garraio 2009-02-23 Eskala/Escala: | | | | FAOOR Fagor Industrial, Koop. Elk., Mugatuas LABEAK HC-81479 -01 Plano Zk./Plano Nº Zk. ord. du. / Zk. gatik ord. | |
| Plano hau ezin daterke erabili, ez berritatu, gure baimenik gabe. | | | | | |



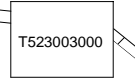
T303066000 (750W)



T303066000 (750W)



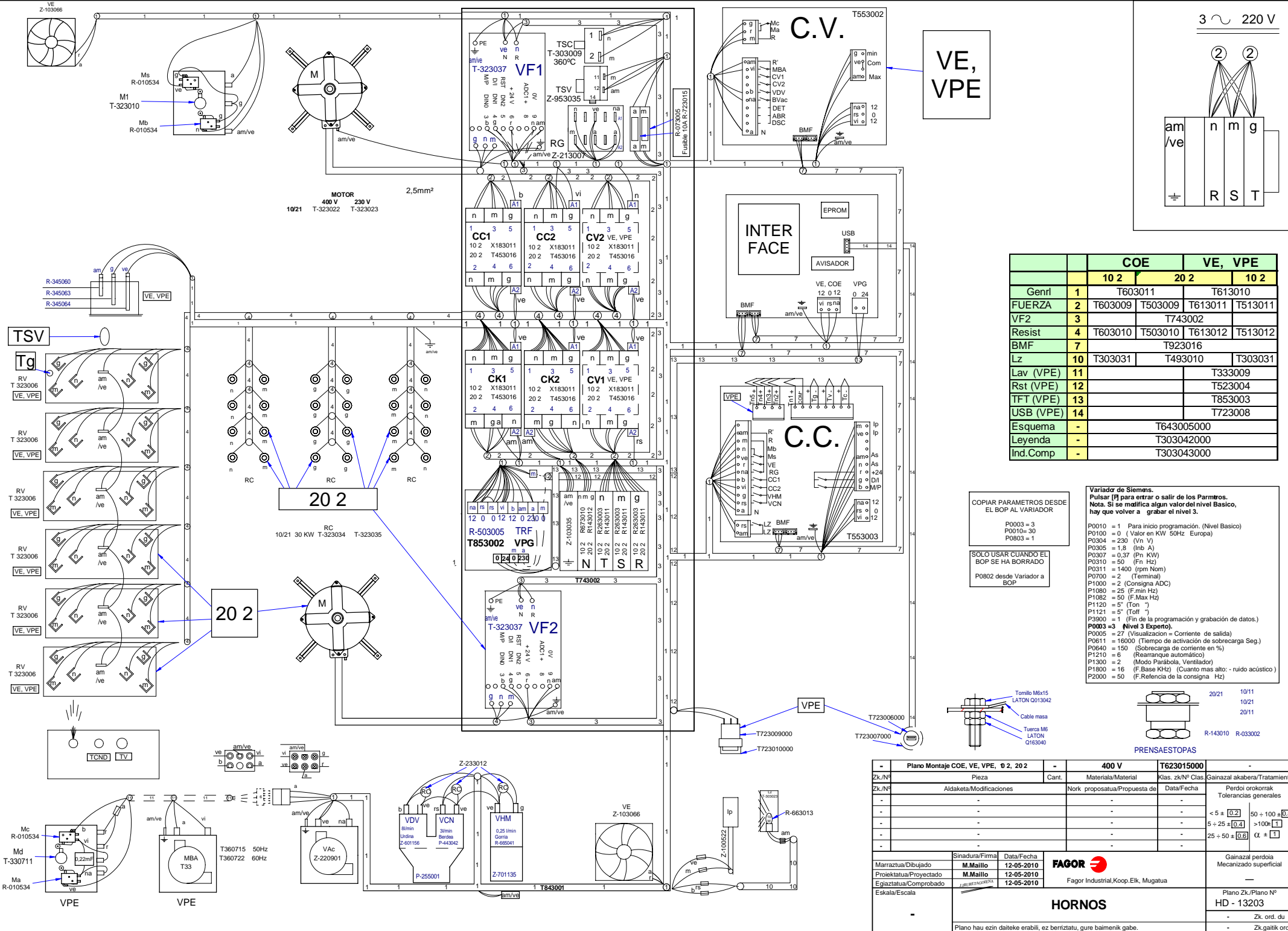
T623004000



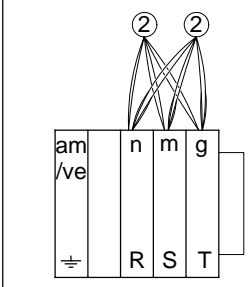
| Eskema teorikoa | T523001 |
|-----------------|---------|
| 1 | T513006 |
| 2 | T503007 |
| 3 | T513005 |
| 4 | T513004 |
| 5 | T903006 |
| 6 | T493010 |
| 7 | T333009 |
| 8 | T903006 |
| 9 | T823011 |
| | T553006 |

| Muntajo plano: VPE 202 | | | | T523002000 | | | | | | | | | | | | | |
|--|--|------------|--|--------------------------------|----------------|------------|--|-----------------|-------------|------------|---------------------------|-------------|------------|-------------------------|-------------|------------|---|
| Zk.Nº | Pieza | Cant. | Materia/Material | Klas. zk/Nº Clas. | | | | | | | | | | | | | |
| Zk.Nº | Aldaketak/Modificaciones | | Nºrk. proposatu/Propuesta de | Data/Fecha | | | | | | | | | | | | | |
| 1 | T703008 kabletuen T493010 kabletuen gainetik aldatu. | | jeskibel | 2009-07-23 | | | | | | | | | | | | | |
| | | | | ± 5 x [0,2] 30 x 100 x [0,2] | | | | | | | | | | | | | |
| | | | | 3 x 25 x [0,2] 3 x 100 x [0,2] | | | | | | | | | | | | | |
| | | | | 25 x 50 x [0,2] 4 x [0,2] | | | | | | | | | | | | | |
| <table border="1"> <thead> <tr> <th>Materia/Oligo</th> <th>Sinadura/Firma</th> <th>Data/Fecha</th> <th rowspan="4"> FAOOR Fagor Industrial, Koop Elk. Mugatuak LABEAK </th> </tr> </thead> <tbody> <tr> <td>Materiala/Oligo</td> <td>e. Carrasco</td> <td>2009-07-04</td> </tr> <tr> <td>Proiektatzaile/Proyectado</td> <td>e. Carrasco</td> <td>2009-07-04</td> </tr> <tr> <td>Egiazatzaile/Comprobado</td> <td>e. Carrasco</td> <td>2009-07-04</td> </tr> </tbody> </table> | | | | Materia/Oligo | Sinadura/Firma | Data/Fecha | FAOOR Fagor Industrial, Koop Elk. Mugatuak LABEAK | Materiala/Oligo | e. Carrasco | 2009-07-04 | Proiektatzaile/Proyectado | e. Carrasco | 2009-07-04 | Egiazatzaile/Comprobado | e. Carrasco | 2009-07-04 | Gaiuzail skabera/Tratamiento Perdoi erorkiak Tolentzien gainerak Gaiuzail pentida Mecanizado superficial Plano Zk. Plano Nº HC-81495 = 01 Zk. ord. du. Zk. gatik ord. |
| Materia/Oligo | Sinadura/Firma | Data/Fecha | FAOOR Fagor Industrial, Koop Elk. Mugatuak LABEAK | | | | | | | | | | | | | | |
| Materiala/Oligo | e. Carrasco | 2009-07-04 | | | | | | | | | | | | | | | |
| Proiektatzaile/Proyectado | e. Carrasco | 2009-07-04 | | | | | | | | | | | | | | | |
| Egiazatzaile/Comprobado | e. Carrasco | 2009-07-04 | | | | | | | | | | | | | | | |
| Plano hau ezin daterke erabili, ez berritatu, gure baimenik gabe. | | | | | | | | | | | | | | | | | |

Z100522000



VE,
VPE



| | COE | | VE, VPE | |
|-----------|------|---------|---------|------------|
| | 10 2 | 20 2 | 10 2 | |
| Genrl | 1 | T603011 | T613010 | |
| FUERZA | 2 | T603009 | T503009 | T613011 |
| VF2 | 3 | | T743002 | |
| Resist | 4 | T603010 | T503010 | T613012 |
| BMF | 7 | | T923016 | |
| Lz | 10 | T303031 | T493010 | T303031 |
| Lav (VPE) | 11 | | | T333009 |
| Rst (VPE) | 12 | | | T523004 |
| TFT (VPE) | 13 | | | T853003 |
| USB (VPE) | 14 | | | T723008 |
| Esquema | - | | | T643005000 |
| Leyenda | - | | | T303042000 |
| Ind.Comp | - | | | T303043000 |

COPIAR PARAMETROS DESDE EL BOP AL VARIADOR.

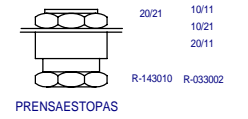
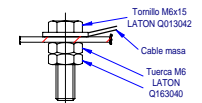
P0003 = 3
P0010 = 30
P0803 = 1

SOLO USAR CUANDO EL BOP SE HA BORRADO.

P0802 desde Variador a BOP

Variador de Siemens.
Pulsar [P] para entrar o salir de los Parmos.
Nota: Si se modifica algun valor del nivel Basico, hay que volver a grabar el nivel 3.

P0010 = 1 Para inicio programación. (Nivel Basico)
P0100 = 0 (Valor en KW 50Hz Europa)
P0304 = 230 (Vn V)
P0305 = 1,8 (Inb A)
P0307 = 0,37 (Pn KW)
P0310 = 50 (Fm Hz)
P0311 = 1400 (rpm Nom)
P0700 = 2 (Terminal)
P1000 = 2 (Consigna ADC)
P1080 = 25 (F.min Hz)
P1082 = 50 (F.Max Hz)
P1120 = 5" (Ton °)
P1121 = 5" (Toff °)
P2300 = 1 (Fin de la programación y grabación de datos.)
P0003 = 3 (Nivel 3 Expert).
P0005 = 27 (Visualización = Corriente de salida)
P0611 = 16000 (Tiempo de activación de sobrecarga Seg.)
P0640 = 150 (Sobrecarga de corriente en %)
P1210 = 6 (Rearranque automático)
P1300 = 2 (Modo Parábola, Ventilador)
P1800 = 16 (F.Base KHz) (Cuanto mas alto = ruido acústico)
P2000 = 50 (F.Referencia de la consigna Hz)



| Plano Montaje COE, VE, VPE, Ø 2, 20 2 | | 400 V | | T623015000 | |
|---------------------------------------|-------------------------|-------|------------------------------|-------------------|---|
| Zk./Nº | Pieza | Cant. | Material/Material | Klas. zk./Nº Clas | Gainazal/Tratamiento |
| Zk./Nº | Aldaketa/Modificaciones | | Nork proposatua/Propuesta de | Data/Fecha | Perdoi orokorrak Tolerancias generales |
| - | - | - | - | - | < 5 ± 0,2 |
| - | - | - | - | - | 50 ± 100 ± 0,8 |
| - | - | - | - | - | 5 + 25 ± 0,1 |
| - | - | - | - | - | > 100 ± 1 |
| - | - | - | - | - | 25 + 50 ± 0,8 |
| - | - | - | - | - | α ± 1 |

| | | | | |
|--|----------------|------------|---|--|
| Marratzua/Dibujado | Sinadura/Firma | Data/Fecha | <p>Fagor Industrial.Koop.Elk. Mugatua</p> | Gainazal perloia Mecanizado superficial |
| Proiektatua/Proyectado | M.Maillto | 12-05-2010 | | |
| Egiaztatua/Comprobado | M.Maillto | 12-05-2010 | | |
| Eskala/Escala | | 12-05-2010 | | |
| Plano hau ezin dateke erabili, ez berrizatu, gure baitimen gabe. | | | Plano Zk./Plano Nº HD - 13203 | |
| | | | - Zk. ord. du | |
| | | | - Zk.gatik ord. | |

| | ESPAÑOL | FRANÇAIS | ENGLISH | DEUTSCH | ITALIANO |
|----------|-----------------------------------|--|-----------------------------------|--|--|
| BEC | Bujía Encendido Cámara | Chamber Allumage Chambre | Chamber Spark Plug | Zündkerze Einschalten Garraum | Candela di Accensione Camera |
| BEV | Bujía Encendido Caldera | Bougie Allumage Chaudière | Boiler Spark Plug | Zündkerze Einschalten Boile | Candela di Accensione Caldaia |
| C.C. | Control Camara | Contrôle Chambre | Chamber Control | Steuerung Garraum | Controllo Camera |
| C.E.C | Control Combustión Cámara | Contrôle Combustion Chambre | Chamber Combustion Control | Steuerung Verbrennung Garraum | Controllo Combustione Camera |
| C.E.V | Control Combustión Caldera | Contrôle Combustion Chaudière | Boiler Combustion Control | Steuerung Verbrennung Boiler | Controllo Combustione Caldaia |
| C.G. | Control Gas | Contrôle Gaz | Control Gas | Steuern Sie Gas | Controlli il gas |
| C.V. | Control Caldera | Contrôle Chaudière | Boiler Control | Steuerung Boiler | Controllo Caldaia |
| CC1, CC2 | Contactador Resistencia Cámara | Contacteur Élément Chauffant Chambre | Chamber Heating Element Contactor | Schütz Heizwiderstand Garraum | Contattore Resistenza Camera |
| CK1, CK2 | Contactador General Calentamiento | Relais Élément Chauffant | Heating Element Relay | Relais Heizwiderstand | Relè Resistenza |
| CV1, CV2 | Contactador Resistencias Caldera | Contacteur Élément Chauffant Chaudière | Boiler Heating Element Contactor | Schütz Heizwiderstand Boiler | Contattore Resistenza Caldaia |
| DEC | Detector Llama Cámara | Détecteur Flamme Chambre | Chamber Flame Detector | Flammendetektor Garraum | Rilevatore di Fiamma Camera |
| DEV | Detector Llama Caldera | Détecteur Flamme Chaudière | Boiler Flame Detector | Flammendetektor Boiler | Rilevatore di Fiamma Caldaia |
| DN | Detector Nivel Caldera | Détecteur Niveau Chaudière | Boiler Level Detector | Pegeldetektor Boiler | Rilevatore Livello Caldaia |
| F | Fusibles | Fusibles | Fuses | Sicherungen | Fusibili |
| FI | Filtro Interferencias | Filtre Interférences | Interference Filter | Störungsfilter | Filtro Interferenze |
| FM | Térmico Motor | Thermique Moteur | Thermal Engine | Thermoschalter Motor | Termico Motore |
| GV1, GV2 | Electro válvula Gas Cámara | Électrovanne Gaz Chambre | Chamber Gas Solenoid Valve | Elektroventil Gas Garraum | Elettrovalvola Gas Camera |
| GV3, GV4 | Electro válvula Gas Caldera | Électrovanne Gaz Chaudière | Boiler Gas Solenoid Valve | Elektroventil Gas Boiler | Elettrovalvola Gas Caldaia |
| Ip | Interruptor Seguridad Puerta | Interrupteur Sécurité Porte | Door Safety Switch | Sicherheitsschalter Tür | Itteruttore Sicurezza Porta |
| Lz | Luz Interior | Éclairage Intérieur | Inner Light | Innenbeleuchtung | Luce Interna |
| M, M2 | Motor Turbina | Moteur Turbine | Turbine Engine | Motor Turbine | Motore Turbina |
| Ma | Interruptor Micro Abierto | Microrupteur Ouvert | Open Microswitch | Mikroschalter Geöffnet | Iterruttore Micro Aperto |
| Mb | Interruptor Micro Bajada | Microrupteur Descente | Drop Microswitch | Mikroschalter Senken | Iterruttore Micro Discesa |
| Mc | Interruptor Micro Cerrado | Microrupteur Fermé | Closed Microswitch | Mikroschalter Geschlossen | Iterruttore Micro Chiuso |
| Mch | Motor Chimenea | Moteur Cheminée | Stack Engine | Motor Abluftkamin | Motore Canna |
| MD | Motor Desague | Moteur évacuation | Drain Engine | Motor Abfluss | Motore scolo |
| Ms | Interruptor Micro Subida | Microrupteur Montée | Rise Microswitch | Mikroschalter Heben | Iterruttore Micro Salita |
| PF | Potenciómetro Selector Funciones | Potentiomètre Sélecteur Fonctions | Functions Selector Potentiometer | Potentiometer Funktionswahlschalter | Potenziometro Selettore Funzioni |
| RC | Resistencias Cámara | Éléments Chauffants Chambre | Chamber Heating Element | Heizwiderstände Garraum | Resistenze Camere |
| RG | Rele General | Relais Général | Main Relay | Hauptrelais | Relè principale |
| RV | Resistencias Caldera | Éléments Chauffants Chaudière | Boiler Heating Element | Heizwiderstände Boiler | Resistenze Caldaia |
| Tc | Sonda Cámara | Sonde Chambre | Chamber Probe | Sonde Garraum | Sonda Camera |
| TCN | Termostato Condensación | Thermostat Condensation | Condensation Thermostat | Thermostat Kondensierung | Termostato Condensazione |
| Tg | Sonda Caldera | Sonde Chaudière | Boiler Probe | Sonde Boiler | Sonda Caldaia |
| Tn | Sonda Núcleo | Sonde Noyau | Core Probe | Kerntemperaturmesssonde | Sonda Nucleo |
| TRF | Transformador | Transformateur | Transformer | Transformator | Trasformatore |
| TSC | Termostato Seguridad Cámara | Thermostat Sécurité Chambre | Chamber Safety Thermostat | Sicherheitsthermostat Garraum | Termostato Sicurezza Camera |
| TSV | Termostato Seguridad Caldera | Thermostat Sécurité Chaudière | Boiler Safety Thermostat | Sicherheitsthermostat Boiler | Termostato Sicurezza Caldaia |
| Tv | Sonda Vapor | Sonde Vapeur | Steam Probe | Sonde Dampf | Sonda Vapore |
| VAC | Bomba Vaciado | Pompe Vidange | Vacuum Pump | Ablasspumpe | Pompa scarico |
| MBA | Moto Bomba Aclarado | Pompe Rinçage | Rinsing Pump | Pumpe Ausspülen | Pompa Risciacquo |
| VC1, VC2 | Ventilador Soplante Camara | Ventilateur Soufflant | Blowing Fan | Ventilator Gebläse | Ventilatore Soffiante |
| VCN | Electro válvula Condensación | Électrovanne Condensation | Condensation Solenoid Valve | Elektroventil Kondensierung | Elettrovalvola Condensazione |
| VDV | Electro válvula Llenado Caldera | Électrovanne Remplissage Chaudière | Chamber Filling Solenoid Valve | Elektroventil Füllung Boiler | Elettrovalvola di Riempiemento Caldaia |
| VE | Ventilador Cuadro Eléctrico | Ventilateur Tableau Électrique | Fan Switchboard | Ventilator Elektrotafel | Ventilatore Quadro Elettrico |
| VF1, VF2 | Variador de Frecuencia | Variateur Vitesse | Speed Variator | Geschwindigkeitsregler | Variatore di Velocità |
| VHM | Electro válvula Humidificador | Électrovanne Humidificateur | Humidifier Solenoid Valve | Elektroventil Befeuchtungsvoerrichtung | Elettrovalvola Umidificatore |
| Vv | Ventilador Soplante Caldera | Ventilateur soufflement chaudière | Boiler Blowing Fan | Durchbrennenventilator zum Dampfkessel | Ventilatore Soffiante caldaia |
| | COLORES | COULEURS | COLOUR | FARBEN | COLORE |
| a | Azul | Bleu | Blue | Blau | Blu |
| am | Amarillo | Jaune | Yellow | Gelb | Giallo |
| am/ve | Amarillo/verde | Jaune / vert | Yellow / green | Gelb/grün | Giallo/verde |
| b | Blanco | Blanc | White | Weiß | Bianco |
| g | Gris | Gris | Grey | Grau | Grigio |
| m | Marrón | Marron | Brown | Braun | Marrone |
| n | Negro | Noir | Black | Schwarz | Nero |
| na | Naranja | Orange | Orange | Orange | Arancio |
| r | Rojo | Rouge | Red | Rot | Rosso |
| rs | Rosa | Rose | Pink | Rosa | Roseo |
| ve | Verde | Vert | Green | Grün | Verde |
| vi | Violeta | Violet | Purple | Violett | Viola |