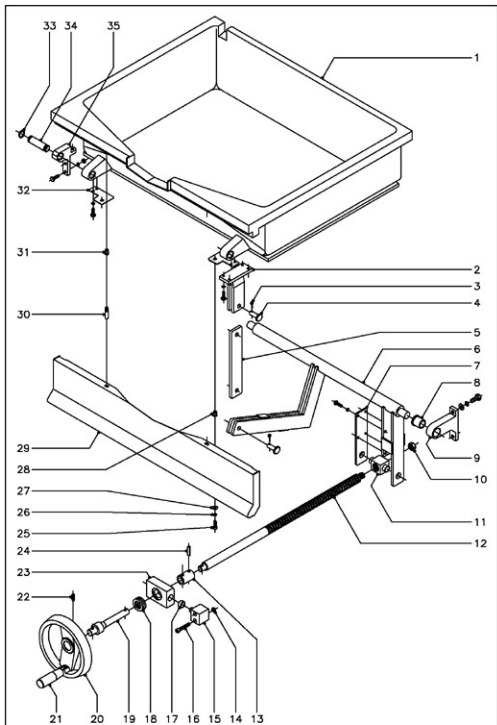
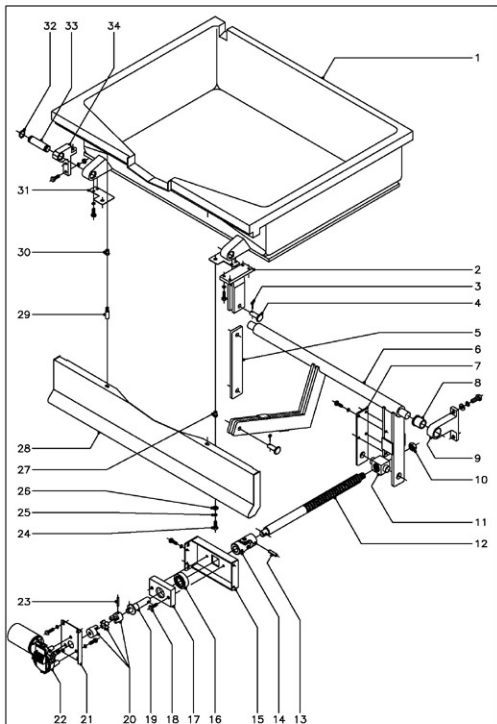


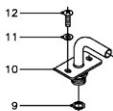
1	S036123	21	X152638
2	X152809	21	X282613
3	X152843		Q419005
3	X282820	22	X150100
4	Q012042	22	X240100
5	Q262040	22	X420100
6	S116120	22	X440100
7	S116118	23	R205428
8	S116121	23	R205430
9	X156101		Q419005
	Q012051	25	X152677
10	S116126	25	X282630
11	S116119		Q012031
12	Q012041		Q232030
13	X286102		Q221342
	Q012053	26	X152679
	Q232050		Q419005
	Q262050	27	X152655
	Q162050		Q012031
14	X152836		Q302022
14	X242820		Q221342
	Q012042	28	X152674
	Q262040	28	X282627
	Q302022	29	X152673
15	U262806	29	X282626
	Q221023	30	X152654
16	X152839	30	X282628
16	X342805	31	R202607
16	X142802		Q419005
16	X142802		
16	X282816		
16	X422801		
	Q012042		
	Q262040		
	Q152004		
17	X152835		
17	X242821		
	Q012042		
	Q262040		
	Q302022		
18	X260151		
19	Q411304		
20	U562853		
20	S372816		
20	U562852		
20	X412802		
	Q419005		



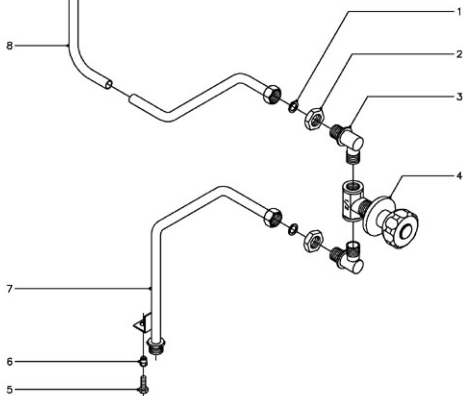
1	X156155	19	X156153
1	X156150	20	X156139
1	X146125	21	X156135
1	X146126	22	Q131552
2	X156157	23	X156114
	Q262040	24	Q371027
	Q012042	25	Q012042
2	-	26	Q262040
3	Q352024	27	Q302022
4	X156123	28	Q221343
5	X156151	29	X152830
6	X156148	29	X152833
7	X156149	30	Q151336
	Q012042	31	Q221343
	Q262040	32	X156156
8	X109550		Q262040
9	X150108		Q012042
	Q232060	33	Q301020
	Q261060	34	X109511
	Q012063	35	X156145
10	Q222015		Q012043
11	X156154		Q262040
12	X156152		Q162040
13	X156115		
14	Q162040		
15	X156113		
16	Q052046		
17	S116126		
18	X156125		



1	X156155	15	X342607
1	X156150		Q012032
1	X146125		Q262030
1	X146126	16	X346109
1	X286105	17	X346105
1	X426102	18	Q012044
2	X156157	19	X346106
	Q262040	20	X346107
	Q012042	21	X342603
2	-		Q012042
3	Q352024		Q262040
4	X156123	22	X343020
5	X156151		Q012042
6	X156148		Q262040
6	X286106	23	Q371032
6	X426103	24	Q012042
7	X156149	25	Q262040
	Q012042	26	Q302022
	Q262040	27	Q221343
8	X109550	28	X152830
9	X150108	28	X152833
	Q232060	28	X282815
	Q261060	29	Q151336
	Q012063	30	Q221343
10	Q222015	31	X156156
11	X156154		Q262040
12	X156152		Q012042
13	Q371027	32	Q301020
14	X126114	33	X106511
		34	X156145
			Q012043
			Q262040
			Q162040



1	Q306024
2	Q221302
3	S115013
4	S112151
5	Q012042
6	Q221343
7	X155038
7	X245017
8	X155040
9	Q306024
10	X156140
11	Q232030
12	Q152004



Nº plano  
C-1200

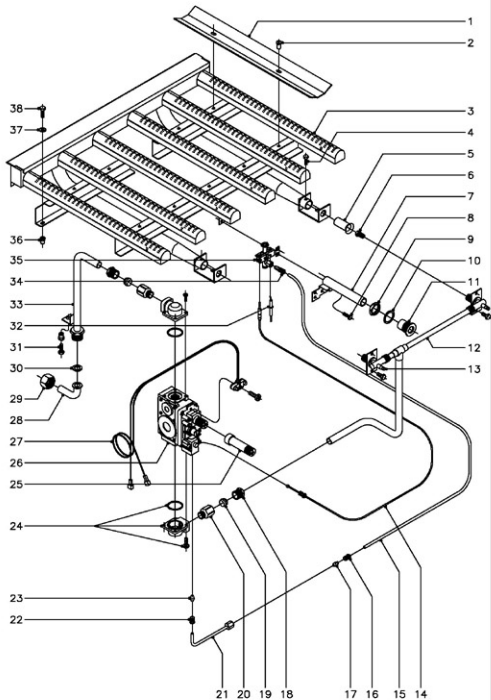


Fecha  
6-2002

Aparato  
TOMA DE AGUA  
SARTEN BASCULANTE 900

Lamina  
4

Faber Industrial S. Coop. **FAFOR**  
Oleas



1	X155720
1	X155721
2	Q419005
3	X155710
3	X285710
4	Q012031
5	U325707
6	U052401
6	U262400
6	X102403
7	X155035
8	Q012031
9	Q221324
10	Q306027
11	S112804
12	X155030
12	X285015
	Q012031
13	Q153002
14	U562130
15	X155032
15	X285017
16	U195009
17	X205028
18	X012104
19	X012105
20	X162101
21	X155043
22	U195009
23	X205028
24	X153004
25	X262100
26	X163000
	X163020
27	R275027
28	U565007
29	U725006
30	Q306052
31	Q012042
	Q221343
32	X012101
33	X155033
34	U134323
35	U322118
36	Q221342
37	Q302022
38	Q012031

N.º plano  
C-1201



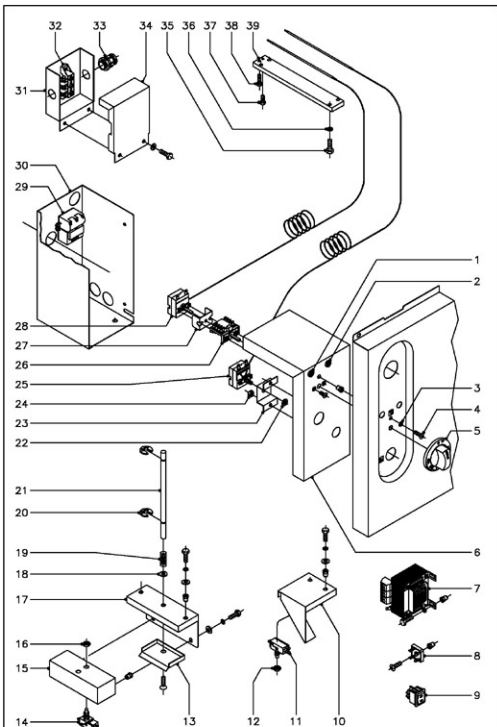
Fecha  
6-2002

Aparato  
PARTE FUNCIONAL GAS  
SARTEN BASCULANTE 900

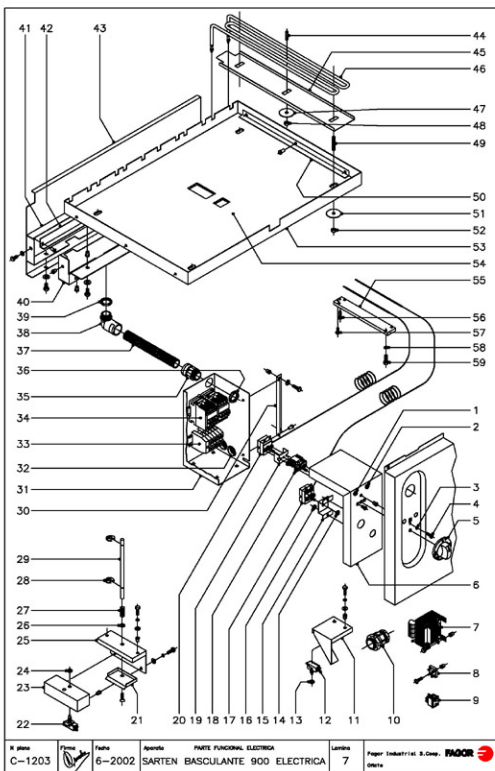
Laminas  
5

Fábrica Industrial S.º Coop.  
Oleiva





1	X143017	Q302022	
2	X143018	Q221342	
3	Q262030	X343015	
4	Q152004	Q222005	
	Q221342	X152646	
5	X152111	Q152024	
	Q281000	X343015	
6	X152667	X152681	
7	X343021	Q221342	
	Q012031	Q302022	
	Q302022	Q262030	
	Q221342	Q012031	
	X342605	16	Q222005
	X342606	17	X152680
	Q012031		Q221342
	Q302022		Q302022
	X342609		Q262030
	Q419005		Q012031
8	X343022	18	Q232050
	Q152004	19	Z700603
	Q221342	20	Q271033
9	X343009	21	X152682
	X342608	22	Q223022
	Q012042	23	X152661
	Q162040	24	Q162030
	Q302022	25	R612103
10	X342602	26	X163007
	Q012031		Q151320
	Q262030	27	X313001
		28	X153000
		29	R073007
		30	X152656
		31	X342601
		32	U183046
		33	R073004
		34	X342600
			Q302022
			Q012042
		35	Q012042
		36	Q262040
		37	Q012032
		38	Q012033
		39	X156147



N.º pieza	Forma	Ficha	Aparato	PARTES FUNCIONALES ELECTRICAS	Lamina	Paper Industrial S.º Coop. FAGOR
C-1203		6-2002	SARTEN BASCULANTE 900 ELECTRICA		7	este

BUTANO-PROPANO		
6	U052401	Tobera quemador Ø1,45
35	U442138	Inyector piloto Ø0,25
GAS NATURAL		
6	U262400	Tobera quemador Ø2,15
35	U442137	Inyector piloto Ø0,40
GAS VILLA		
6	X102403	Tobera quemador Ø4,58
35	U442138	Inyector piloto Ø0,25

1	X143017	30	X152657
2	X143018		Q221342
3	Q262030		Q302022
4	Q152004		Q012031
	Q221342	31	X152656
5	U673017		Q419005
	Q281000	32	X723014
6	X152967	33	P453025
7	X343021		Z263302
	Q012031		P453026
	Q302022		Z263303
	Q221342	33	Z683069
	X342605		Z683097
	X342606		Z683070
	Q012031		Z683096
	Q302022		Z403016
	X342609		Q419005
	Q419005	34	R663031
8	X343022	34	X183011
	Q152004		Z403016
	Q221342		Q419005
9	X343009	35	X713021
	X342608	36	X713022
	Q012042	37	3712300
	Q162040	38	Z703006
	Q302022	39	X143012
10	R033002	40	X142651
11	X342602	40	X422618
	Q012031		Q221342
	Q262030		Q302022
	Q302022		Q012032
	Q221342	41	X142652
12	X343015	41	X422617
13	Q222005		Q221342
14	Q223022		Q302022
15	X152661		Q012032
16	Q162030		Q012032
17	R612103	42	X402601
18	X163007		Q419005
	Q151320	43	X142653
19	X313001	43	X422618
20	X153000		Q221342
21	X152646		Q302022
	Q152024		Q012032
22	X343015	44	Q131555
23	X152681	45	X142620
	Q221342	46	X143010
	Q302022	47	Q302024
	Q262030	48	Q162050
	Q012031	49	Q131558
24	Q222005	50	X142609
25	X152680		Q419005
	Q221342	51	Q302024
	Q302022	52	Q162050
	Q262030	53	X142650
	Q012031	53	X422615
26	Q232050	54	X142656
27	Z700603	54	X422605
28	Q271033	55	X156147
29	X152682	56	Q012033
		57	Q012032
		58	Q262040
		59	Q012042