

**Sarten basculante
Tilting Bratt Pan
Sauteuse basculante
Kippbratpfannen
Brasiere
Fritadeira baculante**

GAMA 700

Modelos:

SBG7-10

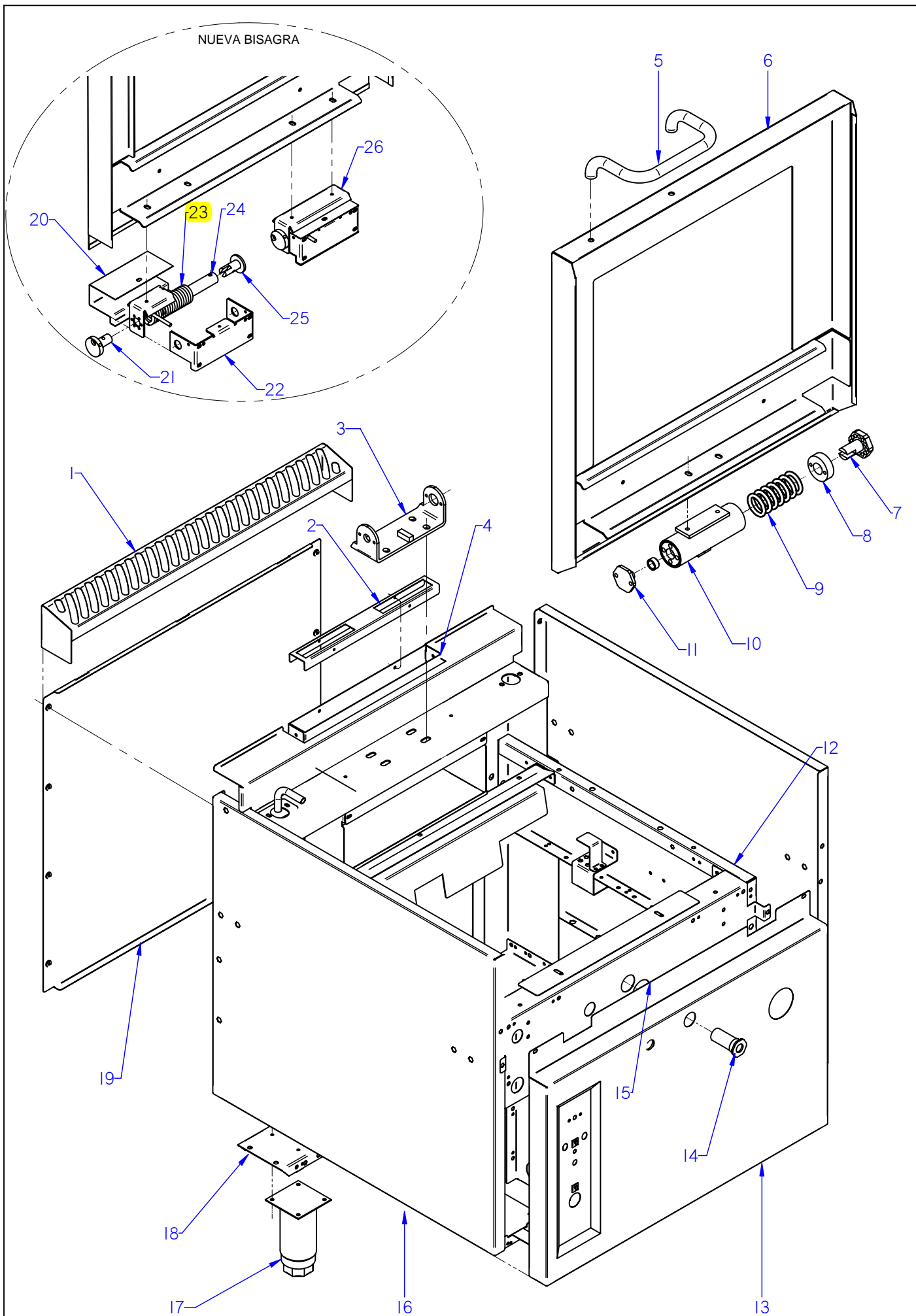
SBE7-10

Junio 2008 June

Revisado Marzo 2014 March Revised



F A G O R I N D U S T R I A L

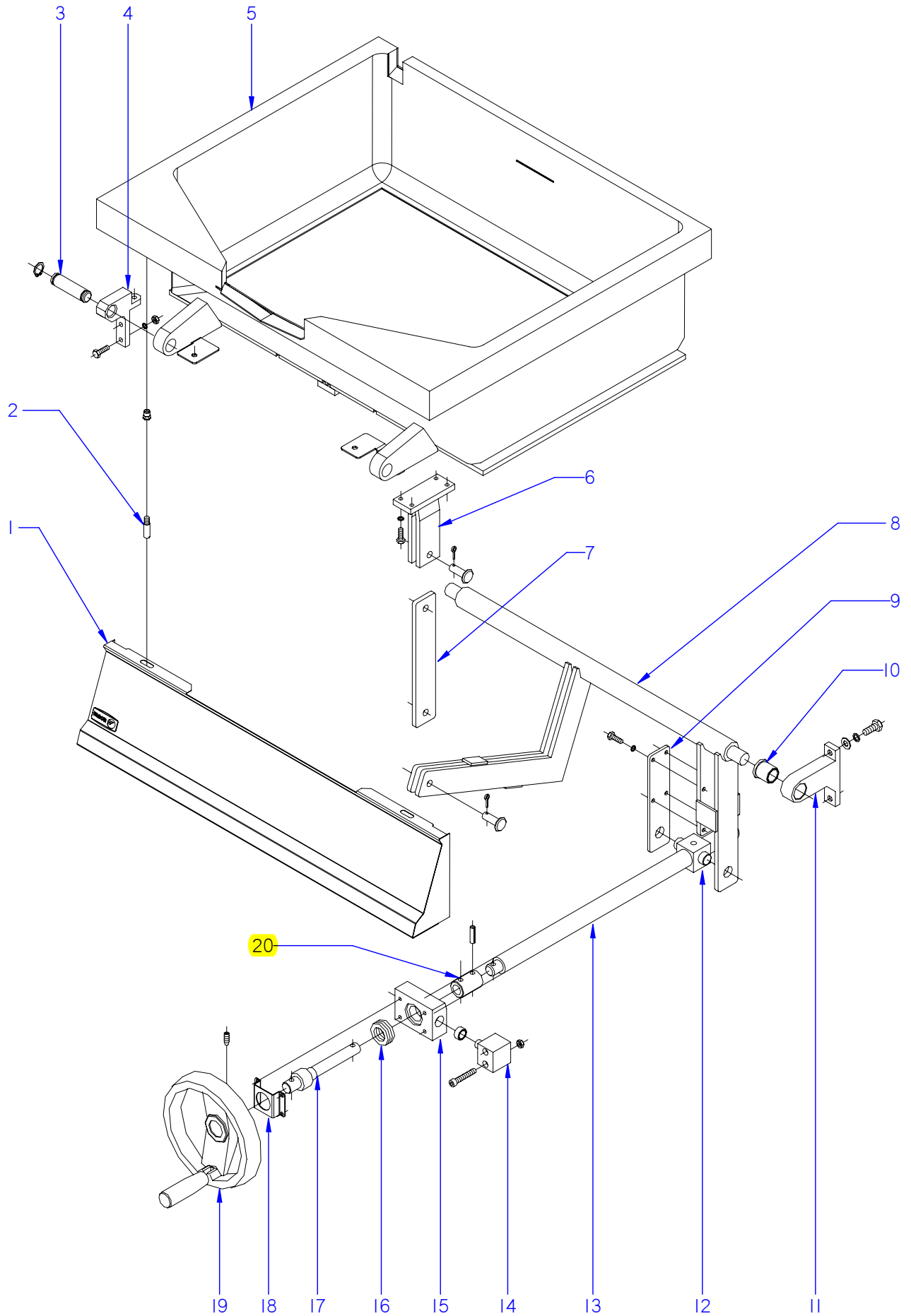


ITEM MARCADO EN COLOR = REPUESTO RECOMENDADO
 COLOURED ITEM = RECOMMENDED SPARE PART

N plano	Firma	Fecha	Aparato	MUEBLE	Lamina	Fagor Industrial S.Coop. FAGOR
C-2095	<i>[Signature]</i>	2008-06	SARTEN BASCULANTE G-700		1	Oñate

MOD.		SARTEN BASCULANTE		ZONA	MUEBLE					PLANO	C-2095
ITEM	CODIGO	DENOMINACION	TEXTO	SBG7-10	SBE7-10						NOTAS
1	S565401000	EMBELLECEDOR POSTERIOR 1M	REAR TRIM 1M	1	1						
2	X262661000	FRENO DE CHIMENEA	FLUEPIPE BRAKE	1	-						
	Q419005000	REMACHE 4x8 ALMG3 / ALUMINIO	RIVET 4X8 ALMG3 / ALUMINIUM	4	-						
3	X286102000	SOPORTE BISAGRA COMPLETA	COMPLETE HINGE SUPPORT	1	1						ELIMINADO 03.05.10
3	X086106000	SOPORTE BISAGRA COMPLETA	COMPLETE HINGE SUPPORT	1	1						ELIMINADO 01.07.11
	Q012053000	TORNILLO EXAGONAL M8x20 A304	HEXAGONAL BOLT M8x20 A304	4	4						
	Q262050000	ARANDELA GROW. A8 A304	WASHER GROW. A8 A304	4	4						
	Q232050000	ARANDELA A8	WASHER A8	4	4						
	Q162050000	TUERCA EXAGONAL M8x1 INOX.	HEXAGONAL NUT M8x1 INOX.	4	4						
4	X262655000	ANTERIOR DE CHIMENEA	FLUEPIPE FRONT	1	-						
4	X262654000	POSTERIOR DE CHIMENEA	FLUEPIPE REAR	1	-						
	Q419005000	REMACHE 4x8 ALMG3 / ALUMINIO	RIVET 4X8 ALMG3 / ALUMINIUM	10	-						
	Q221342000	REMACHE EXAGONAL M5	HEXAGONAL RIVET M5	2	-						
4	X262658000	AMARRE CHIMENEA	FLUEPIPE FASTENING	2	-						
	Q012031000	TORNILLO EXAGONAL M5x10 A304	HEXAGONAL BOLT M5x10 A304	4	-						
	Q302022000	ARANDELA 16x6x1,2 A304	WASHER 16x6x1.2 A304	4	-						
5	S036123000	ASA DE TAPA	COVER HANDLE	1	1						
	X152809000	SUJECCION ASA DE TAPA	COVER HANDLE FASTENING	2	2						
	Q302027000	ARANDELA 25X8,4X2	WASHER 25X8.4X2	2	2						
6	X462808000	TAPA COMPLETA SARTEN G-700	COMPLETE FRYPAN COVER G-700	1	1						ELIMINADO 01.07.11
6	X266124000	TAPA COMPLETA SARTEN G-700	COMPLETE FRYPAN COVER G-700	1	1						INTRODUCIDO 01.07.11
	Q012051000	TORNILLO EXAGONAL M8x10	HEXAGONAL BOLT M8x10	2	2						
7	S116120000	TENSOR MUELLE	TENSIONING SPRING	1	1						ELIMINADO 01.07.11
	Q012042000	TORNILLO EXAGONAL M6x15	HEXAGONAL BOLT M6x15	2	2						
	Q262040000	ARANDELA GROW. A6 A304	WASHER GROW. A6 A304	2	2						
8	S116118000	CASQUILLO	BUSHING	1	1						ELIMINADO 01.07.11
9	S116121000	RESORTE TAPA 07199	SPRING COVER 07199	1	1						ELIMINADO 01.09.10
9	S316110000	MUELLE BISAGRA	SPRING HINGE	2	2						ELIMINADO 01.07.11
10	X156101000	BISAGRA COMPLETA	COMPLETE HINGE	1	1						ELIMINADO 01.07.11
	S116126000	COJINETE CILINDRICO	CYLINDRICAL BEARING	1	1						

MOD.		SARTEN BASCULANTE		ZONA	MUEBLE						PLANO	C-2095
ITEM	CODIGO	DENOMINACION	TEXTO	SBG7-10	SBE7-10							NOTAS
11	S116119000	GIRO DE ASA	HANDLE ROTATION	1	1							ELIMINADO 01.07.11
	Q012041000	TORNILLO EXAGONAL M6x10 A304	HEXAGONAL BOLT M6x10 A304	2	2							ELIMINADO 01.07.11
12	X460114000	ARMAZON COMPL. SARTEN G-700	COMPL. FRYPAN FRAME G-700	1	1							
13	X462803000	PANEL FRONTAL SBG-710	FRONT PANEL SBG-710	1	1							
13	X482801000	PANEL FRONTAL SBE-710	FRONT PANEL SBE-710	1	1							
	Q152004000	TORN. APLASTADO M5x13 A304	HEXAGONAL FLAT SCREW M5x13	2	2							
	Q012042000	TORNILLO EXAGONAL M6x15	HEXAGONAL BOLT M6x15	2	2							
	Q262040000	ARANDELA GROW. A6 A304	WASHER GROW. A6 A304	2	2							
14	R982606000	EMBELLECEDOR TUBO	PIPE TRIM	1	1							
15	X460108000	PANEL SUPERIOR G-750Q	UPPER PANEL G-750Q	1	1							
	Q221342000	REMACHE EXAGONAL M5	HEXAGONAL RIVET M5	4	4							
	Q411304000	REMACHE AVIBULB Ø4,8	AVIBULB RIVET Ø4.8	10	10							
16	X462804000	PANEL LATERAL IZDO. SBG7-10	LEFT SIDE PANEL SBG7-10	1	1							
	Q221343000	REMACHE EXAGONAL M6	HEXAGONAL RIVET M6	11	11							
	Q302022000	ARANDELA 16X6X1.2 A.304	WASHER 16X6X1.2 A.304	4	4							
	Q262040000	ARANDELA GROW. A6 A304	WASHER GROW. A6 A304	4	4							
	Q221342000	REMACHE EXAGONAL M5	HEXAGONAL RIVET M5	1	1							
	Q152004000	TORN. APLASTADO M5x13 A304	HEXAGONAL FLAT SCREW M5x13	1	1							
S/Nº	X462805000	PANEL LATERAL DCHO. SBG7-10	RIGHT SIDE PANEL SBG7-10	1	1							
	Q221343000	REMACHE EXAGONAL M6	HEXAGONAL RIVET M6	11	11							
	Q302022000	ARANDELA 16X6X1.2 A.304	WASHER 16X6X1.2 A.304	4	4							
	Q262040000	ARANDELA GROW. A6 A304	WASHER GROW. A6 A304	4	4							
	Q221342000	REMACHE EXAGONAL M5	HEXAGONAL RIVET M5	1	1							
	Q152004000	TORN. APLASTADO M5x13 A304	HEXAGONAL FLAT SCREW M5x13	1	1							
17	X260151000	PATA REGULABLE	ADJUSTABLE LEG	4	4							
	Q411304000	REMACHE AVIBULB Ø 4,8	AVIBULB RIVET Ø 4.8	16	16							
18	X260152000	LISTON SOPORTE PATAS	LEG SUPPORT STRIP	2	2							
	Q221342000	REMACHE EXAGONAL M5	HEXAGONAL RIVET M5	4	4							
	Q221343000	REMACHE EXAGONAL M6	HEXAGONAL RIVET M6	2	2							
19	S562805000	PANEL POSTERIOR G750	REAR PANEL G750	1	1							
	Q419005000	REMACHE 4x8 ALMG3 / ALUMINIO	RIVET 4X8 ALMG3 / ALUMINIUM	8	8							



ITEM MARCADO EN COLOR = REPUESTO RECOMENDADO
 COLOURED ITEM = RECOMMENDED SPARE PART

N plano	Firma	Fecha	Aparato	CUBA	Lamina	Fagor Industrial S.Coop. FAGOR
C-2096	<i>[Signature]</i>	2008-06	SARTEN BASCULANTE G-700		2	Oñate

MOD.

SARTEN BASCULANTE

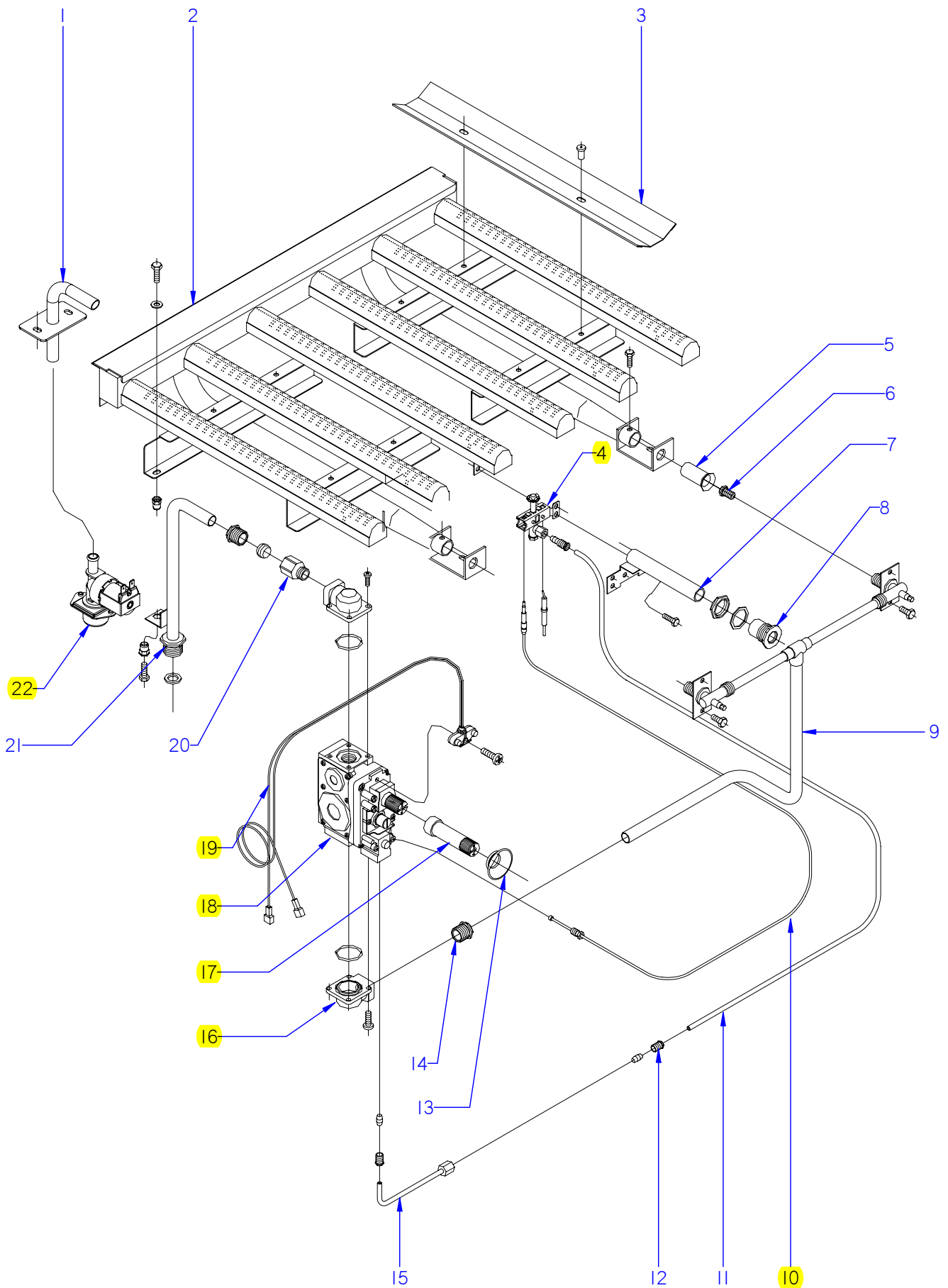
ZONA

CUBA

PLANO

C-2096

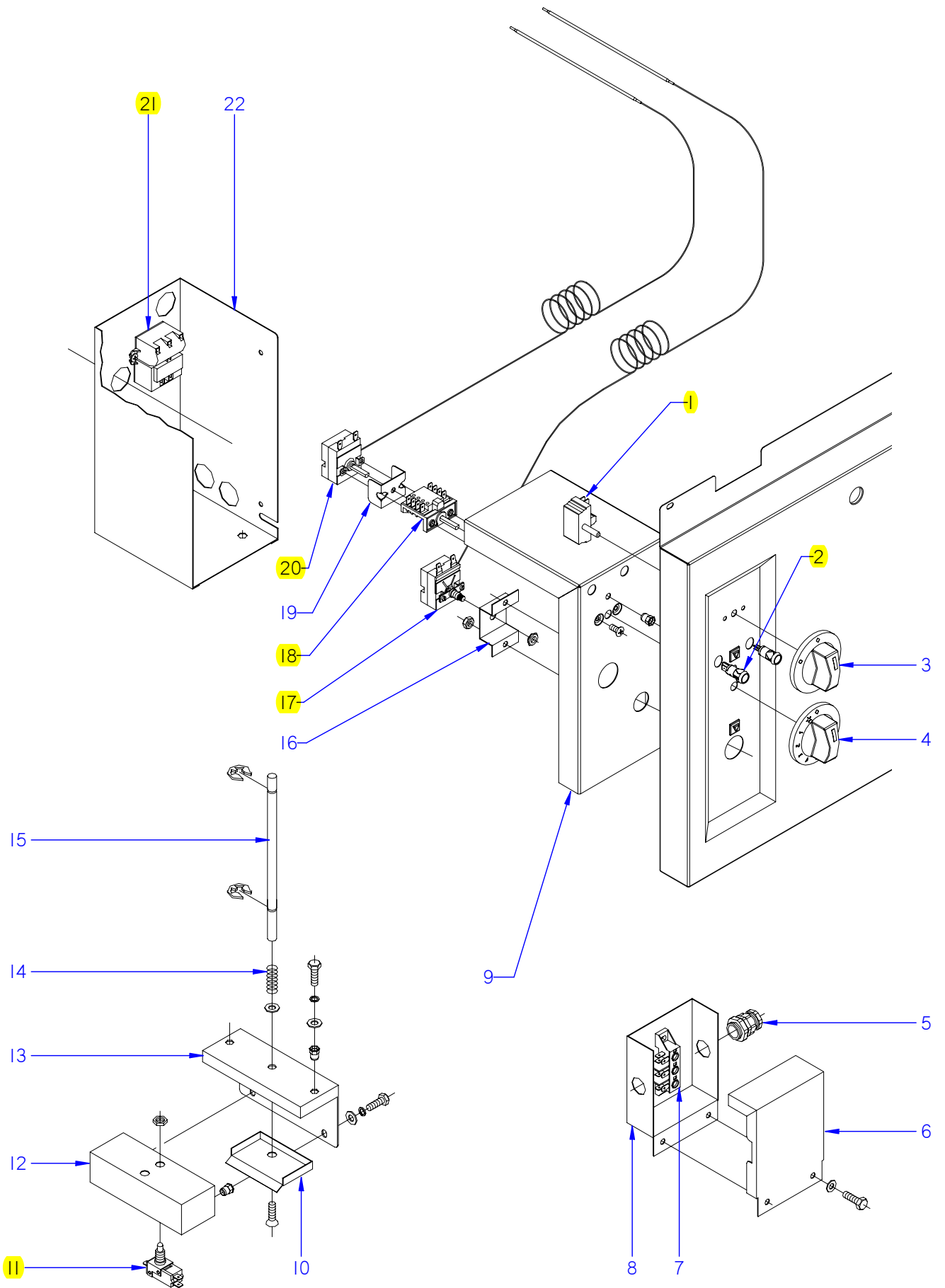
ITEM	CODIGO	DENOMINACION	TEXTO	SBG7-10	SBE7-10						
1	X462802000	PORTAMANDOS COMP. SBG/E7-10	COMP. CONTROL HOLDER SBG/E	1	1						
	U912805000	ESCUDO FAGOR G700	FAGOR EMBLEM G700	1	1						
	Q221023000	CLIP SUJECIÓN RÁPIDA Ø5	RAPID CONNECT CLIP Ø5	2	2						
	Q012042000	TORN. EXAGONAL M6X15 AISI 304	HEXAGONAL BOLT M6X15 AISI 304	2	2						
	Q301304000	ARANDELA PLANA 23X6.5X2	FLAT WASHER 23X6.5X2	2	2						
2	Q151336000	TORNILLO SOPORTE GUIAS	GUIDE SUPPORT BOLT	2	2						
3	X466107000	BULON GIRO-SARTEN	FRYPAN-ROTATION PIN	2	2						
	Q301020000	ANILLO DE SEGURIDAD 20x1,2	CIRCLIP 20x1.2	4	4						
4	X156145000	SOPORTE GIRO CUBA	TUB ROTATION SUPPORT	2	2						
	Q012043000	TORNILLO EXAGONAL M6x20 A304	HEXAGONAL BOLT M6x20 A304	6	6						
	Q262040000	ARANDELA GROW. A6 A304	WASHER GROW. A6 A304	6	6						
	Q162040000	TUERCA EXAGONAL M6	HEXAGONAL NUT M6	6	6						
5	X466102000	CUBA INOX. SBG-710 / SBE-710	INOX. TUB SBG-710 / SBE-710	1	-						
5	X486101000	SARTEN SBE-710 C/PERNOS	FRYPAN SBE-710 WITH PINS	-	1						
	Q221343000	REMACHE EXAGONAL M6	HEXAGONAL RIVET M6	2	2						
	Q221343000	REMACHE EXAGONAL M6	HEXAGONAL RIVET M6	2	2						
6		BRAZO DE GIRO	ROTATION ARM	1	1						
	X156123000	BULON Ø12	PIN Ø12	2	2						
	Q352024000	PASADOR DE ALETAS Ø4x25	COTTER PIN Ø4x25	2	2						
7	X266116000	BRAZO GAMA-700	ARM RANGE -700	1	1						
8	X466113000	BRAZO ELEVADOR COMPL.G-700	ELEVATOR ARM COMPL.G-700	1	1						
9	X156149000	BRAZO LATERAL	SIDE ARM	1	1						
	Q012042000	TORNILLO EXAGONAL M6x15	HEXAGONAL BOLT M6x15	4	4						
	Q262040000	ARANDELA GROW. A6 A304	WASHER GROW. A6 A304	4	4						
10	X109550000	COJINETE SELFOIL B11	BEARING SELFOIL B11	2	2						
11	X150108000	SOPORTE DE GIRO	ROTATION SUPPORT	2	2						
	Q012063000	TORNILLO EXAG. M10x20 A304	HEX BOLT M10x20 A304	4	4						
	Q261060000	ARANDELA MUELLE A10	SPRING WASHER A10	4	4						
	Q232060000	ARANDELA A10	WASHER A10	4	4						
12	X466116000	TUERCA HUSILLO G-700	SPINDLE NUT G-700	1	1						
	Q011364000	TORNILLO EXAG. M10x25 A304	HEX BOLT M10x25 A304	4	4						



ITEM MARCADO EN COLOR = REPUESTO RECOMENDADO
 COLOURED ITEM = RECOMMENDED SPARE PART

N plano	Firma	Fecha	Aparato	PARTE FUNCIONAL DE GAS	Lamina	Fagor Industrial S.Coop. FAGOR
C-2097	<i>[Signature]</i>	2008-06	SARTEN BASCULANTE SBG7-10		3	Oñate

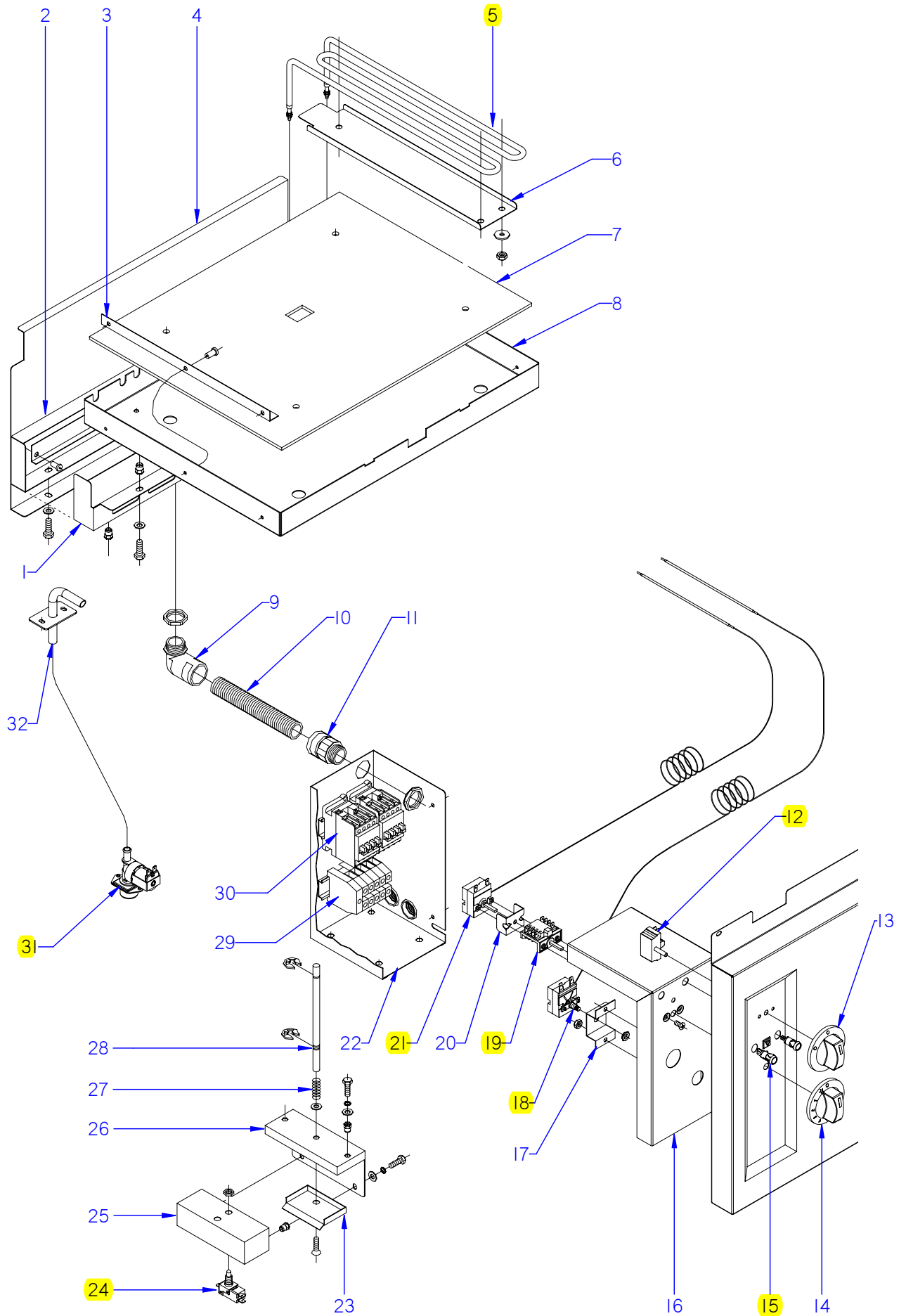
MOD.		SARTEN BASCULANTE		ZONA	PARTE FUNCIONAL GAS					PLANO	C-2097
ITEM	CODIGO	DENOMINACION	TEXTO	SBG7-10							
1	X466119000	CONJUNTO TUBO LLENADO CR	FILLER PIPE ASSEMBLY CR	1							
	Q152004000	TORN. APLASTADO M5x13 A304	HEXAGONAL FLAT SCREW M5x13	2							
S/Nº	3676900000	TUBO GOMA NEGRA D 17*10	BLACK RUBBER PIPE 17*10	1							
	Q881308000	ABRAZADERA 8-14L	CLAMP 8-14L	2							
2	X265722000	QUEMADOR COMPLETO SBG-710	COMPLETE BURNER SBG-710	1							
3	X265709000	DEFLECTOR LARGO G 700	LONG DEFLECTOR G 700	4							
	Q419005000	REMACHE 4x8 ALMG3 / ALUMINIO	RIVET 4X8 ALMG3 / ALUMINIUM	8							
4	U322118000	PILOTO COMPLETO 100.062	COMPLETE PILOT LIGHT 100.062	1							
	Q012031000	TORNILLO EXAGONAL M5x10 A304	HEXAGONAL BOLT M5x10 A304	2							
	Q162030000	TUERCA EXAGONAL M5	HEXAGONAL NUT M5	2							
	U442137000	INYECTOR Ø 0,40 GN	INJECTOR Ø 0.40 GN.	1							
	X022131000	BUJIA	SPARK PLUG	1							
5	U325707000	REGULADOR DE AIRE	AIR REGULATOR	2							
	Q012031000	TORNILLO EXAGONAL M5x10 A304	HEXAGONAL BOLT M5x10 A304	4							
6	U052402000	TOBERA Ø 1,30 (Butano-Propano)	NOZZLE Ø1.30 (BUT-PROP.)	2							
6	9429500000	TOBERA Ø 1,90 (Gas Natural)	NOZZLE Ø1.90 (NATURAL GAS)	2							
7	X155035000	TUBO DE ENCENDIDO COMPLETO	COMPLETE IGNITION PIPE	1							
8	R982606000	EMBELLECEDOR TUBO	PIPE TRIM	1							
	Q221324000	TUERCA 3/4 GAS	NUT 3/4 GAS	1							
	Q306027000	ARANDELA PLANA 33.8X27X1.5	FLAT WASHER 33.8X27X1.5	1							
9	X265020000	CONDUCC. QUEMADOR SBG-710	BURNER PIPE SBG-710	1							
	Q012031000	TORNILLO EXAGONAL M5x10 A304	HEXAGONAL BOLT M5x10 A304	4							
	Q302022000	ARANDELA 16x6x1,2 A304	WASHER 16x6x1.2 A304	4							
	Q306057000	ARANDELA Ø18x12,5x1,5	WASHER Ø18x12.5x1.5	1							
	Q153002000	TORNILLO TAPON	CAP BOLT	2							
10	U562130000	TERMOPAR L=850	THERMOCOUPLE L=850	1							
11	X265016000	TUBO PILOTO	PILOT PIPE	1						ELIMINADO 04.03.11	
11	X265023000	TUBO PILOTO	PILOT PIPE	1						INTRODUCIDO 04.03.11	
	U134323000	RACORD BICONO Ø6 958.031	BICONE CONNEX Ø6 958.031	2							
12	U195009000	MANGUITO EMPALME	CONNECTION HOSE	1							
	X205028000	BICONO Ø6	BICONE Ø6	1							



ITEM MARCADO EN COLOR = REPUESTO RECOMENDADO
 COLOURED ITEM = RECOMMENDED SPARE PART

N plano	Firma	Fecha	Aparato	PARTE FUNCIONAL ELECTRICA	Lamina	Fagor Industrial S.Coop. FAGOR
C-2098	<i>[Signature]</i>	2008-06	SARTEN BASCULANTE SBG7-10		4	Oñate

MOD.		SARTEN BASCULANTE		ZONA	PARTE FUNCIONAL ELECTRICA				PLANO	C-2098
ITEM	CODIGO	DENOMINACION	TEXTO	SBG7-10					NOTAS	
1	T343008000	CONMUTADOR HGC	HGC SWITCH	1						
	Q151320000	TOR. ALOMADO M4X6 H.ZINCADO	CURVED SCREW M4X6 H. ZINC	2						
2	X143017000	PILOTO VERDE SARTEN	GREEN FRYPAN PILOT	1					ELIMINADO 01.02.13	
2	12047390	PILOTO VERDE 230V AC 8KW 16MM	GREEN PILOT 230V AC 8KW 16MM	1					INTRODUCIDO 01.02.13	
	X143018000	PILOTO AMBAR SARTEN	FRYING PAM AMBER PILOT	1					ELIMINADO 01.02.13	
	12024669	PILOTO AMBAR Ø18	AMBER PILOT Ø18	1					INTRODUCIDO 01.02.13	
3	H212103000	BOTON DE MANDO Ø6 (EN. AGUA)	CONTROL BUTTON Ø6 (WATER IN)	1						
4	X462101000	BOTON DE MANDO Ø6 SBG7-10	CONTROL BUTTON Ø6 SBG7-10	1						
5	R073004000	PRENSA ESTOPAS	STUFFING BOX	2						
	R073025000	CONTRATUERCA (GAES) 790.1300.0	COUNTERNUT (GAES) 790.1300.0	2						
	R073026000	JUNTA DE GOMA (GAES)	RUBBER SEAL (GAES)	2						
6	X342600000	TAPA CAJA REGLETA	STRIP BOX COVER	1						
7	U183046000	REGLETA AUXILIAR	AUXILIARY STRIP	1						
8	X342601000	CUADRO REGLETA	STRIP PANEL	1						
	Q012042000	TORNILLO EXAGONAL M6x15	HEXAGONAL BOLT M6x15	2						
	Q302022000	ARANDELA 16x6x1,2 A304	WASHER 16x6x1.2 A304	2						
9	X152667000	TAPA CAJA SOPORTE VALVULA	VALVE SUPPORT BOX COVER	1						
10	X152646000	PROTECCION SUPERIOR	UPPER PROTECTION	1						
	Q152024000	TORNILLO AVELLANADO M4x8 A304	COUNTERSUNK BOLT M4X8 A304	1						
11	X343015000	MICRORRUPTOR 32280001	MICROSWITCH 32280001	1					ELIMINADO 2.10.11	
11	X022138000	MICRORRUPTOR 250V AC 16A VDE	MICROSWITCH 250V AC 16A VDE	1					INTRODUCIDO 2.10.11	
12	X152681000	CAJA PORTA MICRO	MICRO HOLDER BOX	1						
	Q221342000	REMACHE EXAGONAL M5	HEXAGONAL RIVET M5	2						
13	X152680000	SOPORTE CAJA PORTA MICRO	MICRO HOLDER BOX SUPPORT	1						
	Q221342000	REMACHE EXAGONAL M5	HEXAGONAL RIVET M5	2						
	Q012031000	TORNILLO EXAGONAL M5x10 A304	HEXAGONAL BOLT M5x10 A304	2						
	Q302022000	ARANDELA 16x6x1,2 A304	WASHER 16x6x1.2 A304	2						
	Q262030000	ARANDELA GROW. A5 A304	WASHER GROW. A5 A304	2						
14	Z700603000	MUELLE 07777	SPRING 07777	1						
15	X152682000	EJE PULSADOR MICRO	MICRO BUTTON SHAFT	1						
	Q271033000	ARANDELA DE SEGURIDAD Ø6	SAFETY WASHER Ø6	2						



ITEM MARCADO EN COLOR = REPUESTO RECOMENDADO
 COLOURED ITEM = RECOMMENDED SPARE PART

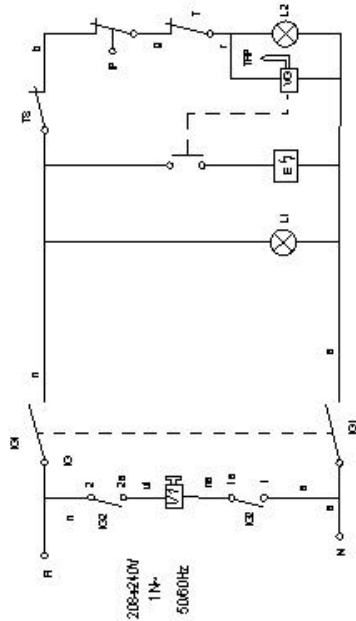
N plano	Firma	Fecha	Aparato	PARTE FUNCIONAL	Lamina	Fagor Industrial S.Coop. FAGOR
C-2099	<i>[Signature]</i>	2008-06	SARTEN BASCULANTE SBE7-10		5	Oñate

MOD.	SARTEN BASCULANTE		ZONA	PARTE FUNCIONAL					PLANO	C-2099
ITEM	CODIGO	DENOMINACION	TEXTO	SBE7-10						NOTAS
1	X272618000	CUBIERTA BORNAS SBE-710	TERMINAL COVER SBE-710	1						
	Q012032000	TORNILLO EXAGONAL M5x15 A304	HEXAGONAL BOLT M5x15 A304	3						
	Q262030000	ARANDELA GROW. A5 A304	WASHER GROW. A5 A304	3						
	Q221342000	REMACHE EXAGONAL M5	HEXAGONAL RIVET M5	5						
2	X272619000	TAPA CUBIERTA BORNAS SBE-710	TERMINAL COVER LID SBE-710	1						
	X272612000	ESCUADRA SEPARADOR RESIST.	RESIST. DIVIDER BRACKET	1						
	Q012032000	TORNILLO EXAGONAL M5x15 A304	HEXAGONAL BOLT M5x15 A304	5						
	Q262030000	ARANDELA GROW. A5 A304	WASHER GROW. A5 A304	5						
	Q419005000	REMACHE 4x8 ALMG3 / ALUMINIO	RIVET 4X8 ALMG3 / ALUMINIUM	3						
3	X272603000	AMARRE AISLANTE	INSULATION FASTENING	3						
4	X272616000	PROTECCION AGUA A BORNAS	WATER PROTECTION TO TERMIN	1						
5	X273000000	RESISTENCIA 230V. 1500W. SBE-7	RESISTOR 230V 1500W SBE-7	6						
6	X272607000	AMARRE RESISTENCIAS	RESISTOR FASTENING	6						
	Q162040000	TUERCA EXAGONAL M6	HEXAGONAL NUT M6	18						
	Q301304000	ARANDELA PLANA Ø23x6,5x2	FLAT WASHER Ø23x6.5x2	18						
7	X272617000	AISLANTE 570X400X5	INSULATION 570X400X5	1						
8	X272620000	CUBIERTA RESISTENC. SBE-710	RESISTOR COVER SBE-710	1						
	Q221342000	REMACHE EXAGONAL M5	HEXAGONAL RIVET M5	7						
9	Z703006000	RACORD A 90 SFWO-P213T	CONNECTION A 90 SFWO-P213T	1						
	X143012000	CONTRATUERCA PG21 GAESTOP.	COUNTERNUT PG21 GAESTOP.	1						
10	3712300000	TUBO PG21 0233.204.023	PIPE PG21 0233.204.023	1						
11	X713021000	RACORD ICK 5020	CONNECTION ICK 5020	1						
12	T343008000	CONMUTADOR HGC	HGC SWITCH	1						
	Q151320000	TORN. ALOMADO M4X6 H.ZINCADO	HEXAGONAL CURVED HEAD M4X	2						
13	H212103000	BOTON DE MANDO Ø6 (EN. AGUA)	CONTROL BUTTON Ø6 (WATER IN	1						
14	X482101000	BOTON DE MANDO Ø6 G-750Q	CONTROL BUTTON Ø6 G-750Q	1						
15	X143017000	PILOTO VERDE SARTEN	GREEN FRYPAN PILOT	1						ELIMINADO 01.02.13
15	12047390	PILOTO VERDE 230V AC 8KW 16MM	GREEN PILOT 230V AC 8KW 16MM	1						INTRODUCIDO 01.02.13
	X143018000	PILOTO AMBAR SARTEN	FRYING PAM AMBER PILOT	1						ELIMINADO 01.02.13
	12024669	PILOTO AMBAR Ø18	AMBER PILOT Ø18	1						INTRODUCIDO 01.02.13
16	X152667000	TAPA CAJA SOPORTE VALVULA	VALVE SUPPORT BOX COVER	1						

MOD.	SARTEN BASCULANTE		ZONA	PARTE FUNCIONAL					PLANO	C-2099
ITEM	CODIGO	DENOMINACION	TEXTO	SBE7-10						NOTAS
17	X152661000	SOPORTE LIMITADOR	LIMITER SUPPORT	1						
	Q162030000	TUERCA EXAGONAL M5	HEXAGONAL NUT M5	2						
18	R612103000	TERMOSTATO LIMITADOR	THERMOSTAT LIMITER	1						
	Q013023000	TORNILL. EXAGONAL M4x20 LATON	HEXAGONAL BOLT M4X20 BRASS	1						
	Q163020000	TUERCA EXAGONAL M4 LATON	HEXAGONAL NUT M4 BRASS	1						
	Q183001000	TUERCA CUADRADA M4	SQUARE NUT M4	1						
	Q563004000	LENGÜETA COMPONENT. DOBLE	DOUBLE COMPONENT TONGUE	1						
	Z603022000	PLACA ASIENTO CONEXIÓN MASA	SEATING PLATE EARTH CONNEC	1						
19	X163007000	CONMUTADOR ACOPLA TERMOS	THERMOSTAT CONNECT SWITCH	1						
20	X313001000	"U" SOPORTE TERMOSTATO	THERMOSTAT U SUPPORT	1						
21	X153000000	TERMOSTATO 50-310 C	THERMOSTAT 50-310 C	1						
	Q042021000	TORNIL. AVELLANADO M4x10 A304	COUNTERSUNK BOLT M4X10 A304	2						
22	X152656000	SOPORTE VALVULA	VALVE SUPPORT	1						
	X723014000	PASAMUROS DIAMETRO 30	WALL BUSHING DIAMETER 30	3						
	Q411304000	REMACHE AVIBULB Ø 4,8	AVIBULB RIVET Ø 4.8	4						
23	X152646000	PROTECCION SUPERIOR	UPPER PROTECTION	1						
	Q152024000	TORNILLO AVELLANADO M4x8 A304	COUNTERSUNK BOLT M4X8 A304	1						
24	X343015000	MICRORRUPTOR 32280001	MICROSWITCH 32280001	1						ELIMINADO 2.10.11
24	X022138000	MICRORRUPTOR 250V AC 16A VDE	MICROSWITCH 250V AC 16A VDE	1						INTRODUCIDO 2.10.11
25	X152681000	CAJA PORTA MICRO	MICRO HOLDER BOX	1						
	Q221342000	REMACHE EXAGONAL M5	HEXAGONAL RIVET M5	2						
26	X152680000	SOPORTE CAJA PORTA MICRO	MICRO HOLDER BOX SUPPORT	1						
	Q221342000	REMACHE EXAGONAL M5	HEXAGONAL RIVET M5	2						
	Q012031000	TORNILLO EXAGONAL M5x10 A304	HEXAGONAL BOLT M5x10 A304	2						
	Q302022000	ARANDELA 16x6x1,2 A304	WASHER 16x6x1.2 A304	2						
	Q262030000	ARANDELA GROW. A5 A304	WASHER GROW. A5 A304	2						
27	Z700603000	MUELLE 07777	SPRING 07777	1						
28	X152682000	EJE PULSADOR MICRO	MICRO BUTTON SHAFT	1						
	Q271033000	ARANDELA DE SEGURIDAD Ø6	SAFETY WASHER Ø6	2						

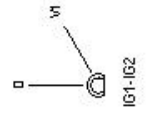
MOD.	SARTEN BASCULANTE		ZONA	REPUESTOS RECOMENDADOS RECOMMENDED SPARE PART						PLANO	
ITEM	CODIGO	DENOMINACION	TEXTO	SBG7-10	SBE7-10						NOTAS
23	X266126000	MUELLE BISAGRA Ø5,5	SPRING HINGE Ø5,5	2	2						C-2095
20	X156115000	CASQUILLO	BUSHING	1	1						C-2096
4	U322118000	PILOTO COMPLETO 100.062	COMPLETE PILOT LIGHT 100.062	1							C-2097
	U442137000	INYECTOR Ø 0,40 GN	INJECTOR Ø 0.40 GN.	1							C-2097
	X022131000	BUJIA	SPARK PLUG	1							C-2097
16	X153004000	CODO 1-2 820 NOV 906.260	L-PIPE 1-2 820 NOV 906.260	2							C-2097
17	X262100000	ALARGADERO NEG. 999.975	BLACK EXTENSION 999.975	1							C-2097
18	12097292	VALVULA NOVA 820 REGULADA	VALVE REGULATED NOVA 820	1							C-2097
18	12024777	ELECTROVALV. 820 NOVA 60 Hz.	SOLENOID VALVE. 820 NOVA 60 H	1							C-2097
19	R275027000	CABLEADO ELECTROSIT 927.012	WIRING ELECTROSIT 927.012	1							C-2097
22	Z701135000	E.V.SIMP.220V COD.255.208	E.V.SIMP.220V COD.255.208	1							C-2097
1	T343008000	CONMUTADOR HGC	HGC SWITCH	1							C-2098
2	12047390	PILOTO VERDE 230V AC 8KW 16MM	GREEN PILOT 230V AC 8KW 16MM	1							C-2098
	12024669	PILOTO AMBAR Ø18	AMBER PILOT Ø18	1							C-2098
11	X022138000	MICRORRUPTOR 250V AC 16A VDE	MICROSWITCH 250V AC 16A VDE	1							C-2098
17	R612103000	TERMOSTATO LIMITADOR	THERMOSTAT LIMITER	1							C-2098
18	X163007000	CONMUTADOR ACOPLE TERMOS	THERMOSTAT CONNECT SWITCH	1							C-2098
20	X153000000	TERMOSTATO 50-310 C	THERMOSTAT 50-310 C	1							C-2098
5	X273000000	RESISTENCIA 230V. 1500W. SBE-7	RESISTOR 230V 1500W SBE-7		6						C-2099
12	T343008000	CONMUTADOR HGC	HGC SWITCH		1						C-2099
15	12047390	PILOTO VERDE 230V AC 8KW 16MM	GREEN PILOT 230V AC 8KW 16MM		1						C-2099
	12024669	PILOTO AMBAR Ø18	AMBER PILOT Ø18		1						C-2099
18	R612103000	TERMOSTATO LIMITADOR	THERMOSTAT LIMITER		1						C-2099
19	X163007000	CONMUTADOR ACOPLE TERMOS	THERMOSTAT CONNECT SWITCH		1						C-2099
21	X153000000	TERMOSTATO 50-310 C	THERMOSTAT 50-310 C		1						C-2099
24	X022138000	MICRORRUPTOR 250V AC 16A VDE	MICROSWITCH 250V AC 16A VDE		1						C-2099
31	Z701135000	E.V.SIMP.220V COD.255.208	E.V.SIMP.220V COD.255.208		1						C-2099

SBG7-10



- E: Eneko dór**
IG: Interruptor general
IP: Micro seguridad
L1: Lampara marcha
L2: Lampara calefame dór
T: Termostato
TS: Termostato seguridad
TRP: Te mopen
V: Válvula gas
M: Electro válvula
- E: Allimage**
IG: Interrupteur général
IP: Micro sécurité
L1: Lampe marche et dór
L2: Lampe calefame dór
T: Thermostat
TS: Thermostat sécurité
TRP: Thermocouple
VG: Valve gaz
- E: Igniter**
IG: Main switch
IP: Safety switch
L1: O light
L2: Heating light
T: Thermostat
TS: Safety thermostat
TRP: Thermocouple
VG: Gas valve
- E: Start**
IG: Hauptschalter
IP: Mikro-Sicherheit
L1: Lampara marcha
L2: Lampara calefame dór
T: Termostato
TS: Sicherheitsthermostat
TRP: Thermocouple
VG: Gasventil
- E: Ignifone**
IG: Interruttore generale
IP: Micro sicurezza
L1: Lampada fiamma dór
L2: Lampada calefame dór
T: Termostato
TS: Termostato sicurezza
TRP: Coppia termoelettrica
VG: Valvola del gas
- E: Ignifone**
IG: Interruttore generale
IP: Micro sicurezza
L1: Lampada fiamma dór
L2: Lampada calefame dór
T: Termostato
TS: Termostato sicurezza
TRP: Coppia termoelettrica
VG: Valvola del gas

IG1-IG2	1	2
	1a	2a
0		
V1	X	X



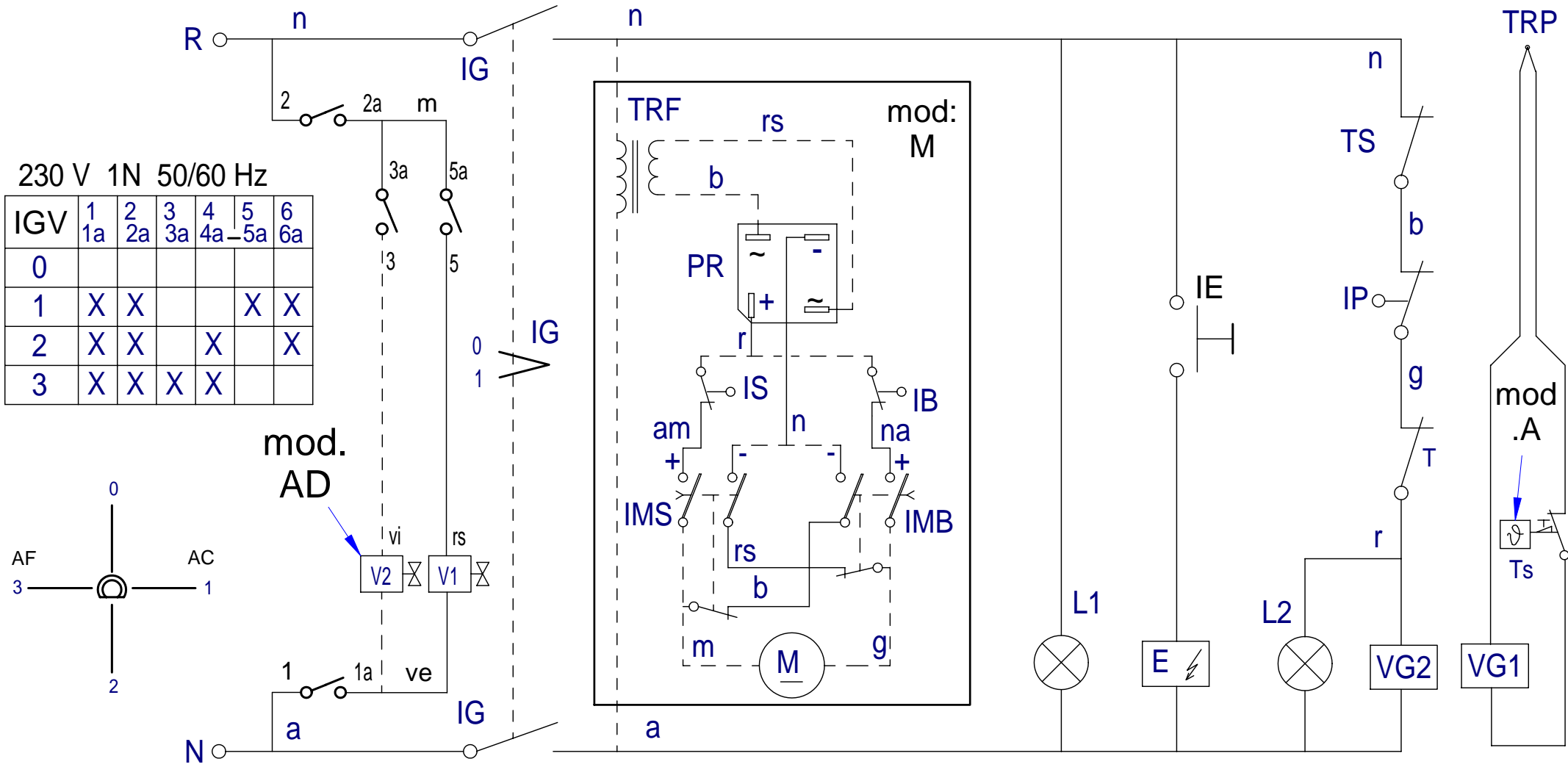
210

X-463002

237

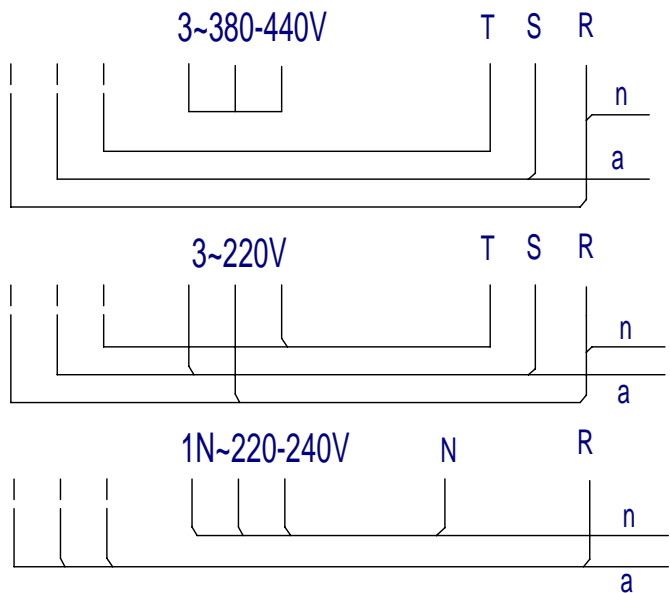
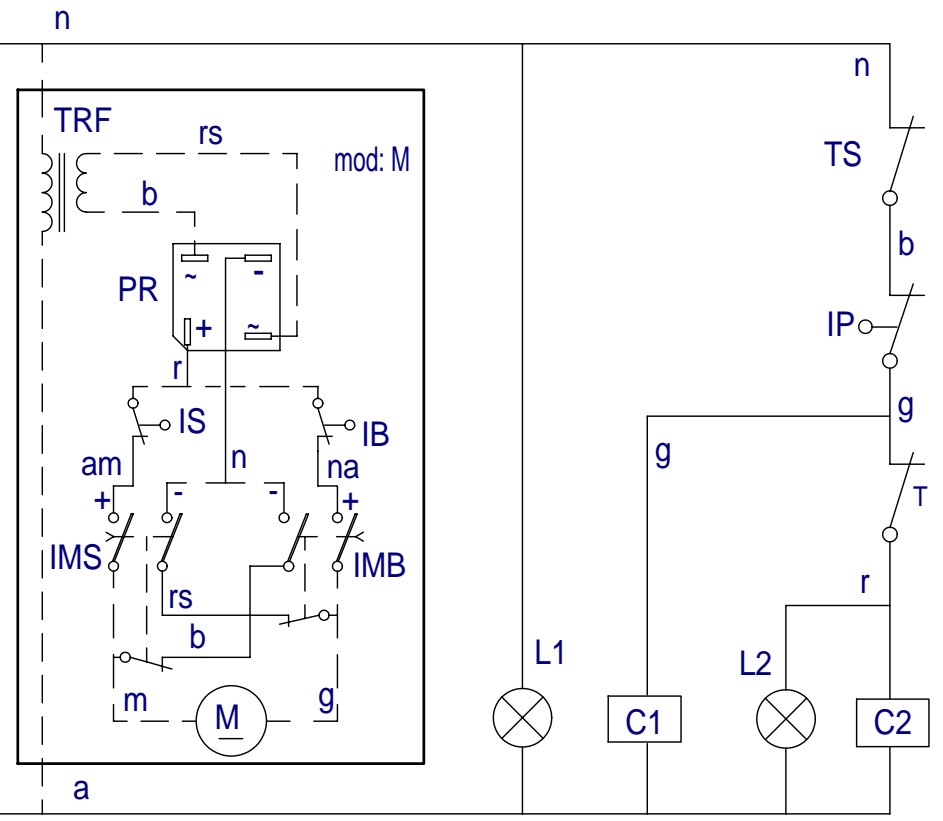
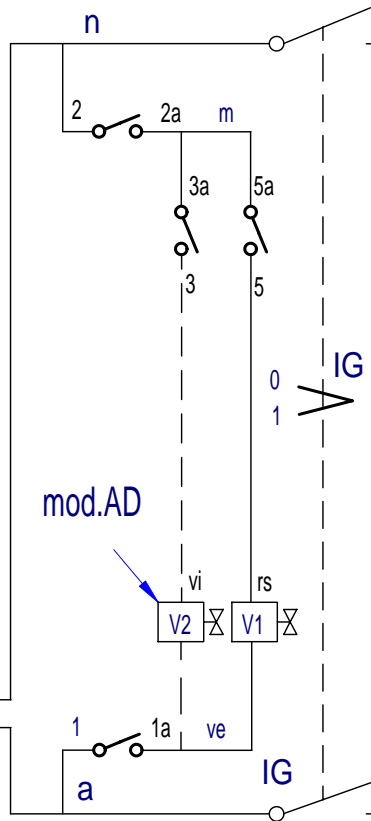
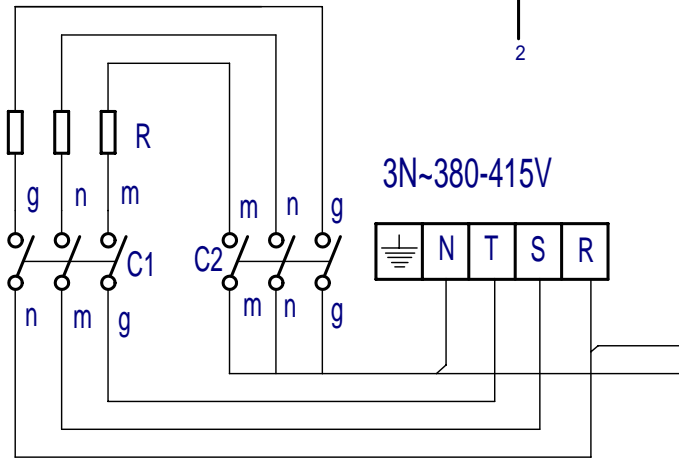
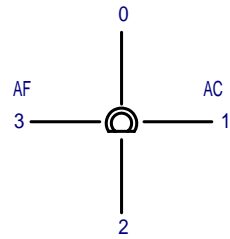
Esquema teórico SBG7-10		X-463002	
Nº	Pieza	Cart.	Materia
Nº	Modificaci	Propiedad	
		Fecha	Toleancias generales
			<3±
			5-25±
			25-50±
			50-100±
			>100±
			∅±
Fabricado		Fecha	Mecanizado a pedido
Proyectado		Fecha	
Comprobado		Fecha	
Escala		FAGOR	
4/5		SARTEN BASCULANTE	
Paso número		HC-80147	
Sustituye al N°			
Sustituido por			

SBG 910, 710, 915 M, 910 M, 910 A,

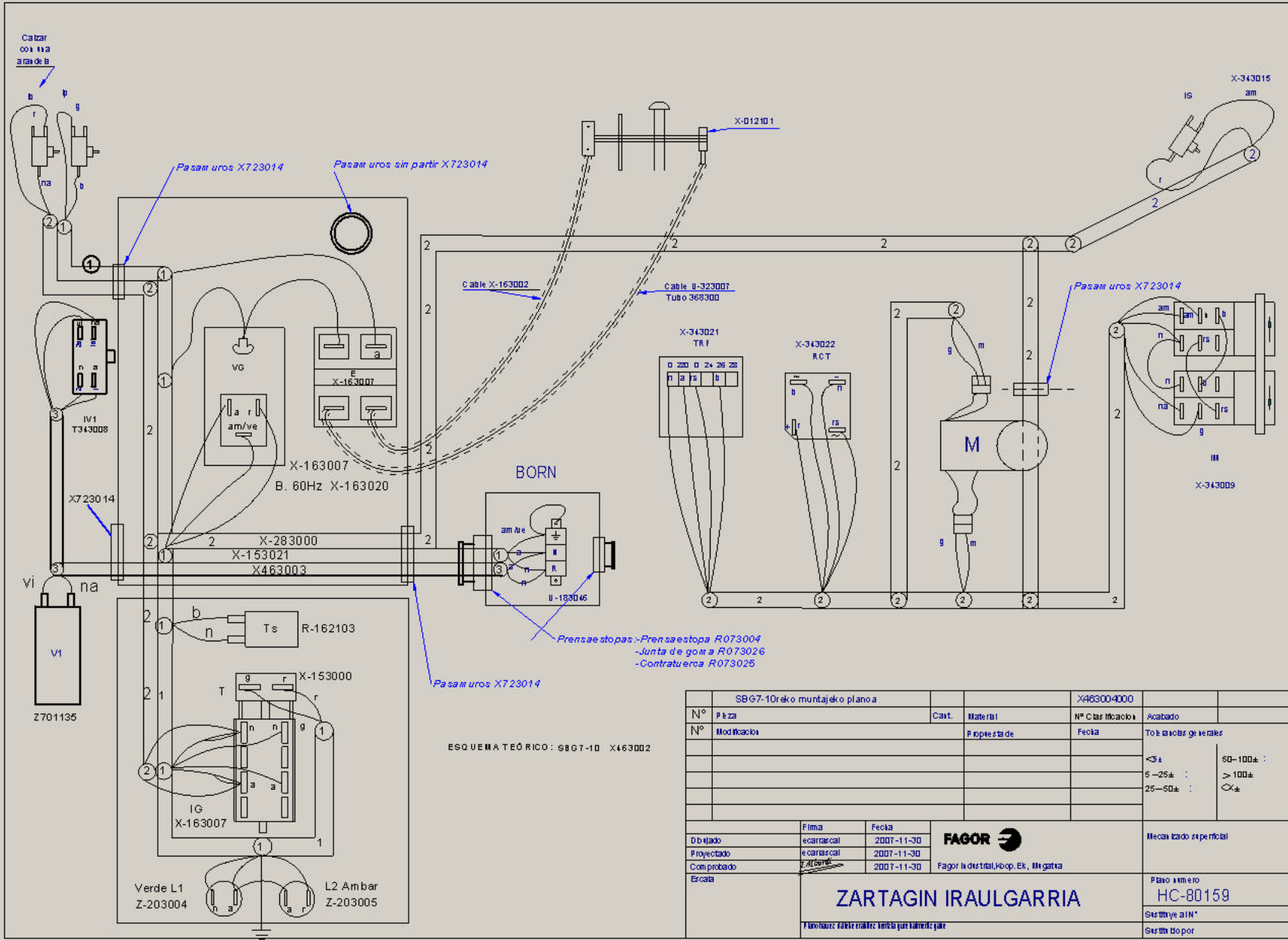


X343023000

IGV	1 1a	2 2a	3 3a	4 4a	5 5a	6 6a
0						
1	X	X			X	X
2	X	X		X		X
3	X	X	X	X		

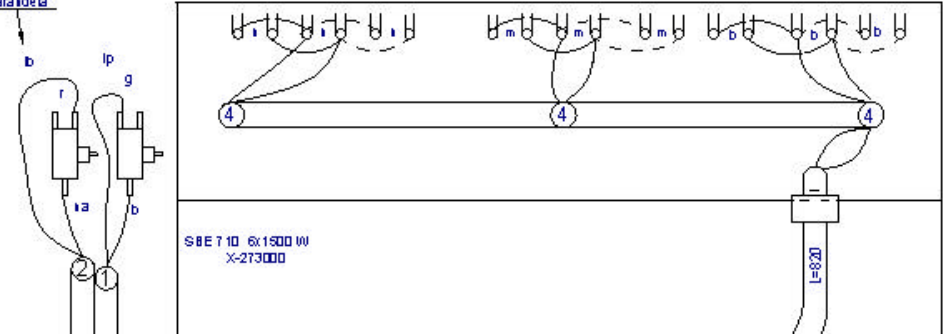


SBE 710, 910, 910 M, 915 M

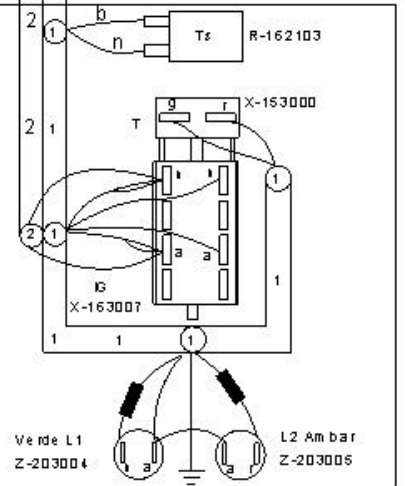
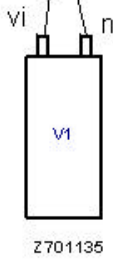
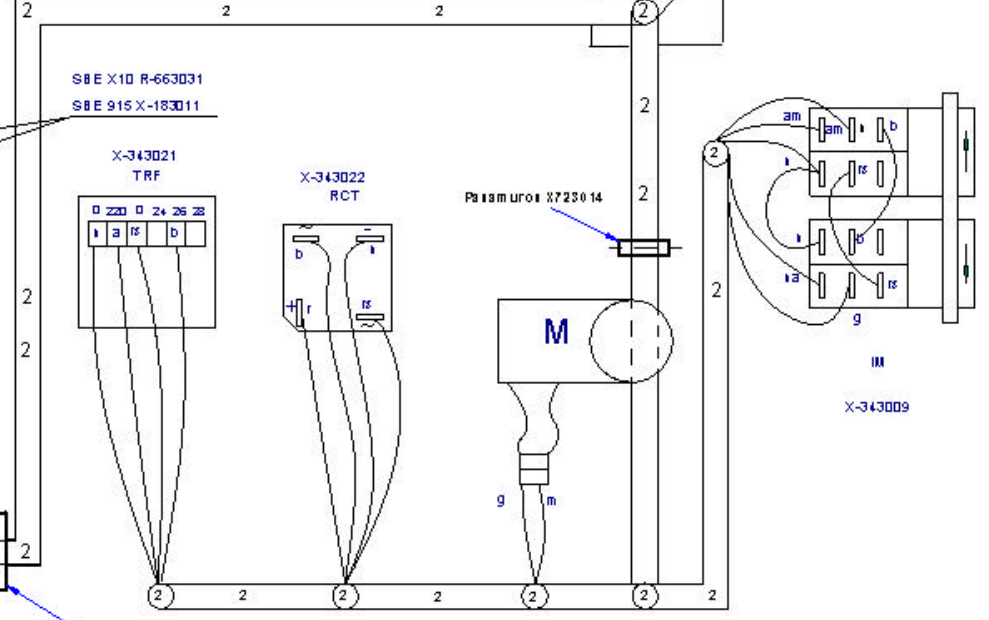
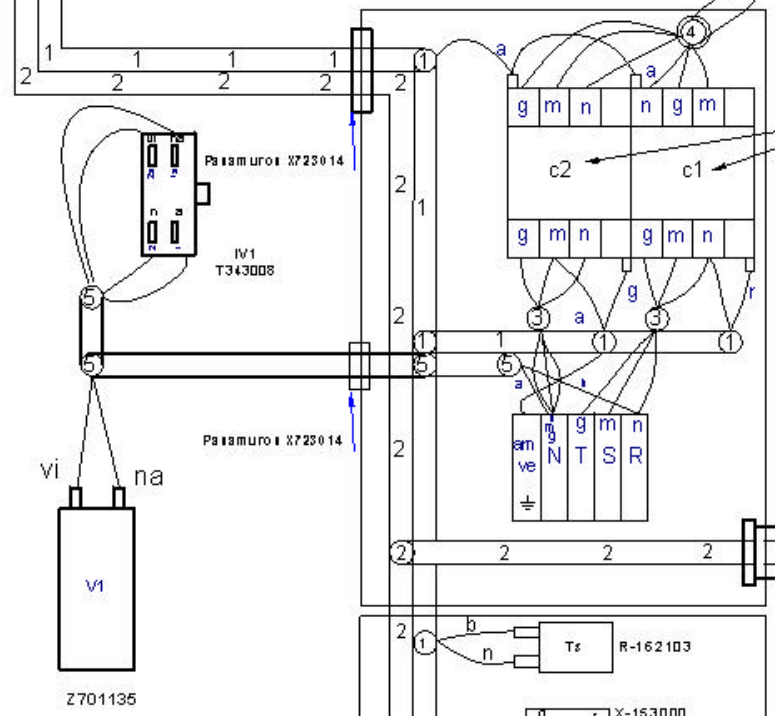
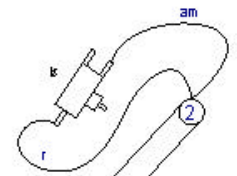


SBG7-10reko muntajeko plano a			X463004000		
Nº	Pieza	Cart.	Materiál	Nº Clasificación	
Nº	Modificación	Propietario		Fecha	
				Toleerantzuzkoak	
				<3±	50-100± :
				5-25±	> 100± :
				25-50±	<X±
Firma			Fecha	Mecanizado en perfilado	
Dibujado		ecarrascal	2007-11-30		
Proyectado		ecarrascal	2007-11-30		
Comprobado		Alcort	2007-11-30		
Escala					
ZARTAGIN IRAULGARRIA				Plano numero HC-80159	
Funtzioak ezin diren berridazteko gaiturik ez da.				Sustituzioa IN*	
				Sustituzio por	

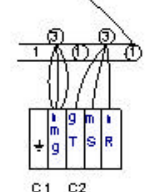
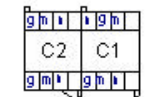
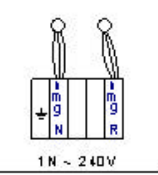
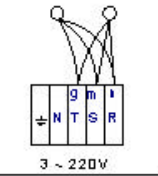
Catjar
con 1 ka
arañalela



Instalación	SBE7-10
1	X143015
2	X283000
3	X143016
4	X143004
5	X483004



Prezsaestopas -Prezsaestopa R033002
-Juntas de goma R033026
-Contratira R033025



C1 C2
SBE 710 H-053010
U03072
R:150H0m 1/400
Controlador X183067
TRF X-??????
3 ~ 400V Sin Neutro

SGE7-10reko muntajeko plano a		X483003000				
Nº	Pieza	Cart.	Mate rial	Nº Clasificación	Acabado	
Nº	Modificación	Propiedad		Fecha	Tolerancias generales	
					<3±	50-100±
					5-25±	> 100±
					25-50±	<±

Firma		Fecha		FAGOR	
Dibujado	ecarrascal	2007-11-30		Mecanizado en perfil	
Proyectado	ecarrascal	2007-11-30			
Comprobado	J. A. Corral	2007-11-30		Fagor Industrial, Koop. E.K., Miragüa	
Escala					
ZARTAGIN IRAULGARRIA				Plano número	
				HC-80160	
				Sustituye al N°	
Para hacer cables reales se debe seguir el cableado que				Sistema de por	

