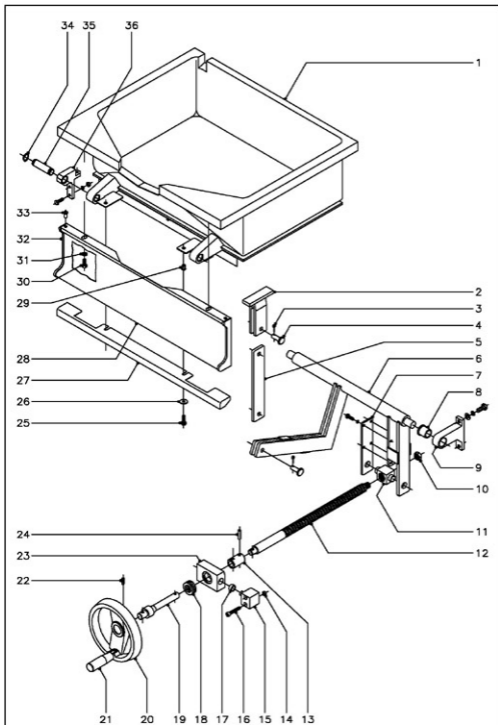
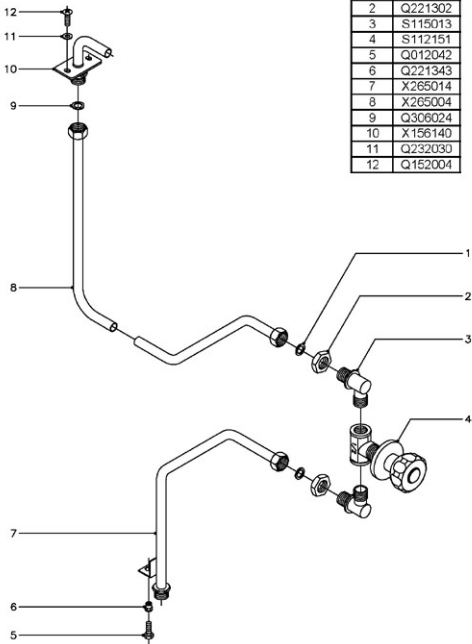


1	S036123		Q221343
2	X152809		Q012042
3	X262817		Q262040
4	Q012042		Q302022
5	Q262040		Q152004
6	S116120	19	X262812
7	S116118		Q221343
8	S116121		Q012042
9	X156101		Q262040
	Q012051		Q302022
10	S116126	20	X260151
11	S116119	21	Q411304
12	Q012041	22	X262656
13	X286102		Q012031
	Q012053		Q232030
	Q232050		Q221342
	Q262050	23	X152679
	Q162050		Q419005
14	X262857	24	X262658
	Q419005		Q012031
15	X262813		Q302022
	Q012042		Q221342
	Q262040	25	X262655
	Q302022	26	X262654
16	X270110	27	R202607
17	U262806	28	X262661
	Q221023		Q419005
18	X262814	29	U745425
18	X272801	30	U742804
			Q419005
		31	R055405
			Q419005



1	X266110
1	X276102
2	-
3	Q352024
4	X156123
5	X266116
6	X266112
7	X156149
	Q012042
	Q262040
8	X109550
9	X150108
	Q232060
	Q261060
	Q012063
10	Q222015
11	X156154
12	X266111
13	X156115
14	Q162040
15	X156113
16	Q052046
17	S116126
18	X156125
19	X156153
20	X156139
21	X156135
22	Q131552
23	X156114
24	Q371027
25	Q012032
26	Q301304
27	X272617
28	X262811
29	Q221342
30	Q012042
31	Q302022
	Q221343
32	U452805
s/n	U452804
33	Q419005
34	Q301020
35	X109511
36	X156145
	Q012043
	Q262040
	Q162040

1	Q306024
2	Q221302
3	S115013
4	S112151
5	Q012042
6	Q221343
7	X265014
8	X265004
9	Q306024
10	X156140
11	Q232030
12	Q152004



Nº plano
C-1206



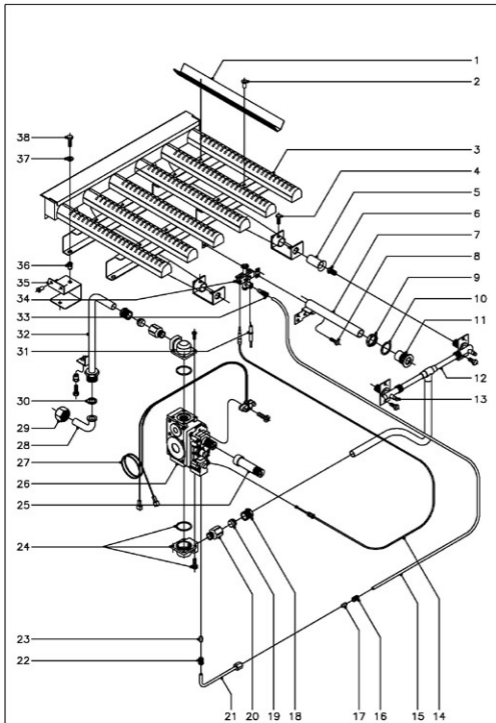
Fecha
6-2002

Apartado
SARTEN BASCULANTE SBG-710 Y SBE-710

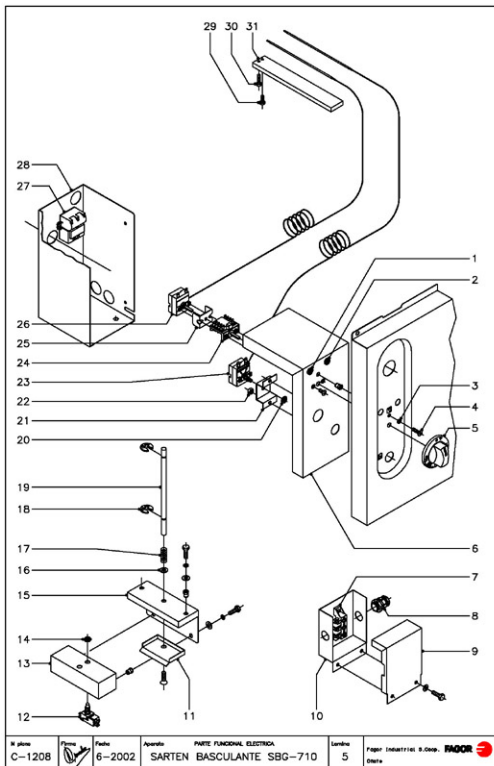
TOMA DE AGUA

Laminas
3

Fagor Industrial S.Coop. **FAGOR**
Ormaiztegui



1	X265709
2	Q419005
3	X265711
4	Q012031
5	U325707
6	U052402
6	9429500
6	X102403
7	X155035
8	Q012031
9	Q221324
10	Q306027
11	S112804
12	X265010
	Q012031
13	Q153002
14	U562130
15	X265016
16	U195009
17	X205028
18	X012104
19	X012105
20	X162101
21	X155043
22	U195009
23	X205028
24	X153004
25	X262100
26	X163000
	X163020
27	R275027
28	U665007
29	U725006
30	Q306052
31	X012101
32	X265012
	Q012042
	Q221343
33	U134323
34	U322118
	U442138
	U442137
35	X262659
	Q419005
36	Q221342
37	Q302022
38	Q012031



1	X143017
2	X143018
3	Q262030
4	Q152004
5	Q221342
6	X152111
7	Q281000
8	X152667
9	U183046
10	R073004
11	X342600
12	Q302022
13	Q012042
14	X342601
15	X152646
16	Q152024
17	X343015
18	X152681
19	Q221342
20	Q302022
21	Q262030
22	Q012031
23	Q222005
24	X152680
25	Q221342
26	Q302022
27	Q262030
28	Q012031
29	Q232050
30	Z700603
31	Q271033
	X152682
	Q223022
	X152661
	Q162030
	R612103
	X163007
	Q151320
	X313001
	X153000
	R073007
	X152656
	Q012032
	Q012033
	-

N.º plano
C-1208



Fecha
6-2002

Aparato
SARTEN BASCULANTE SBC-710

PARTES FUNCIONALES ELECTRICAS

Laminas
5

Page Industrial S.Coop. **FAOR**
Daire

