

**Marmitas a vapor  
Marmites à vapeur  
Steam boiling pans  
Dampf -Kochkessel  
Pentole a vapore  
Marmitas a vapor**

**GAMA 900**

**Modelos:**

**MV9-10 BM**

**MV9-15 BM**

**MV9-10 BM S**

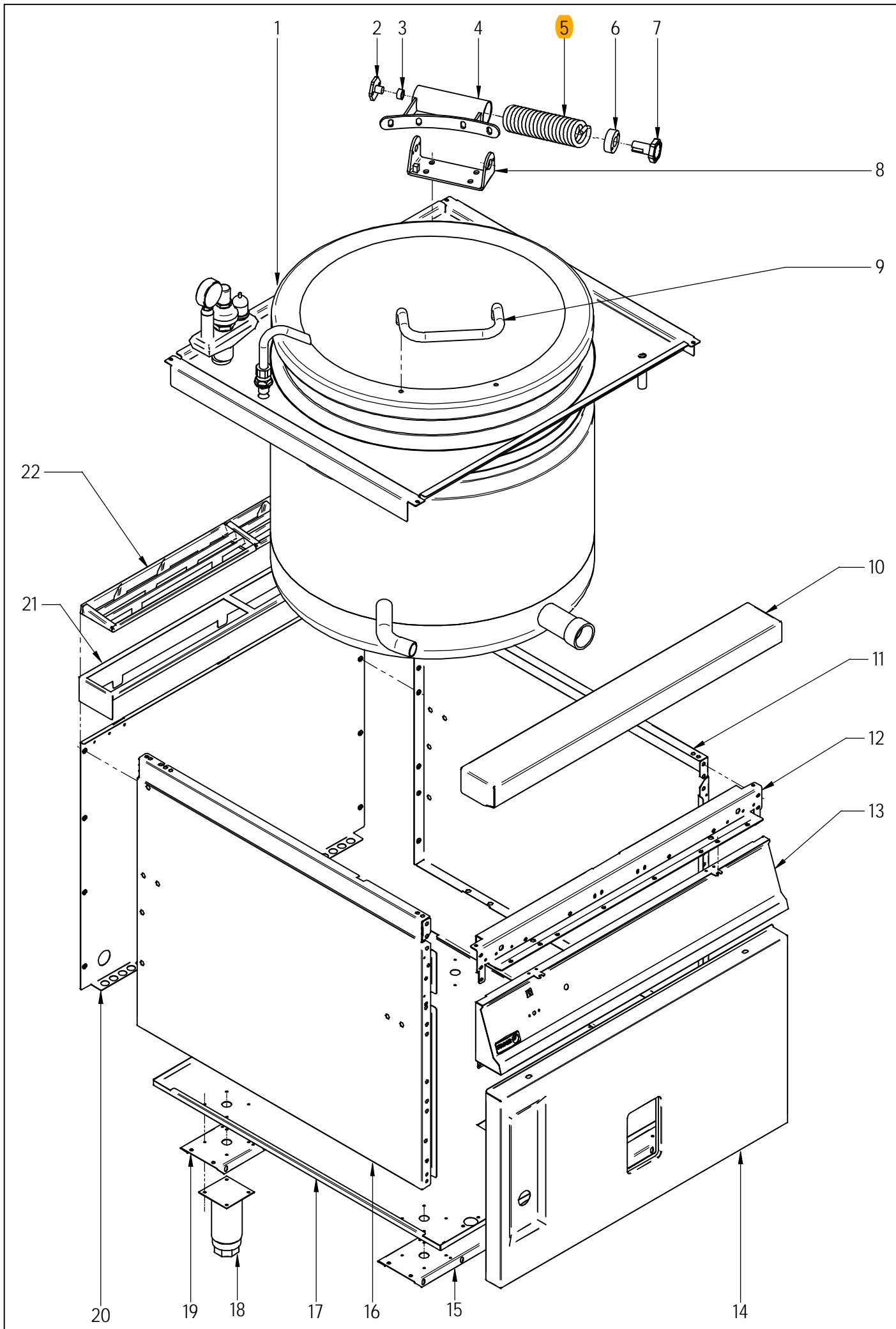
**MV9-15 BM S**

***Marzo 2009 March***

***Revisado Septiembre 2010***



**Fagor Industrial**



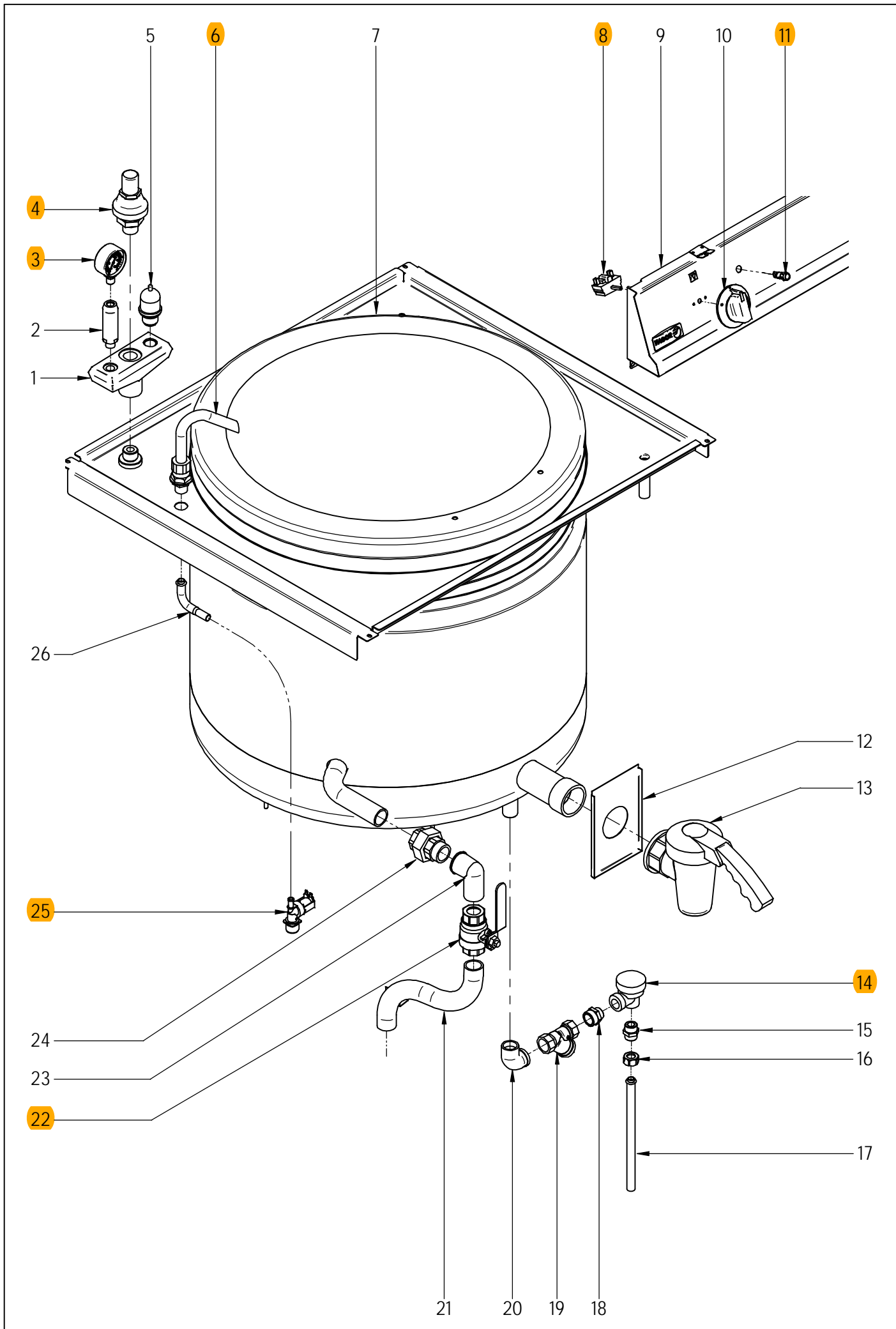
N plano	Firma	Fecha	Aparato	MUEBLE	Lamina	Fagor Industrial S.Coop. <b>FAGOR</b>
C-2280	<i>[Signature]</i>	2009-03	MARMITA MV9-10 BM; MV9-15 BM		1	Oñate

MOD.		MARMITAS GAMA 900 / PAN 900 RANGE		ZONA		MUEBLE / UNIT					PLANO		C-2280
ITEM	CODIGO	DENOMINACION	TEXTO	MV9-10 BM	MV9-15 BM								NOTAS
1	S516111000	CUBA+TAPA MV9-10 BM	CUBA+TAPA MV9-10 BM	1	—								
1	S506121000	CUBA+TAPA MV9-15 BM	TUB+COVER MV9-15 BM	—	1								
S/Nº	S516113000	CUBA COMPLETA MV9-10 BM	COMPLETE TUB MV9-10 BM	1	—								
S/Nº	S506122000	CUBA COMPLETA MV9-15 BM	COMPLETE TUB MV9-15 BM	—	1								
S/Nº	S036141000	TAPA COMPLETA	COMPLETE COVER	1	1								
S/Nº	S016101000	FILTRO DE CUBA	TUB FILTER	1	1								
	S036117000	SOPORTE FILTRO	FILTER SUPPORT	2	2								
	Q412000000	REMACHE TUBULAR 4x8	TUBULAR RIVET 4x8	8	8								
2	S116119000	GIRO DE ASA	HANDLE ROTATION	1	1								
	Q012041000	TORNILLO EXAGONAL M6x10 A304	HEXAGONAL BOLT M6x10 A304	2	2								
3	S116126000	COJINETE CILINDRICO	CYLINDRICAL BEARING	1	1								
4	S036143000	BISAGRA COMPLETA	COMPLETE HINGE	1	1								
5	S116121000	RESORTE TAPA 07199	SPRING COVER 07199	1	1								
6	S116118000	CASQUILLO	BUSHING	1	1								
7	S116120000	TENSOR MUELLE	TENSIONING SPRING	1	1								
	Q012042000	TORNILLO EXAGONAL M6x15	HEXAGONAL BOLT M6x15	2	2								
	Q262040000	ARANDELA GROW. A6 A304	WASHER GROW. A6 A304	2	2								
8	S036131000	SOPORTE BISAGRA COMPLETA	COMPLETE HINGE SUPPORT	1	1								ELIMINADO 03.05.10
8	S226136000	SOPORTE BISAGRA COMPLETA	COMPLETE HINGE SUPPORT	1	1								INTRODUCIDO 03.05.10
S/Nº	S026102000	REFUERZO BISAGRA MARMITAS	COOK. POT HINGE REINFORCE.	1	1								
	Q232050000	ARANDELA A8	WASHER A8	4	4								
	Q262050000	ARANDELA GROW. A8 A304	WASHER GROW. A8 A304	4	4								
	Q212051000	TUERCA SOMBRERO M8	COWL NUT M8	4	4								
9	S036123000	ASA DE TAPA	COVER HANDLE	1	1								
	Q012053000	TORNILLO EXAGONAL M8x20 A304	HEXAGONAL BOLT M8x20 A304	2	2								
	Q302027000	ARANDELA 25x8,4x2	WASHER 25X8.4X2	2	2								
	Q302027000	ARANDELA 25x8,4x2	WASHER 25X8.4X2	2	2								
10	S105402000	ANTERIOR DE MESA 1M	BENCH FRONT 1M	1	1								
	Q152004000	TORNILLO APLAST. M5x13 A304	MUSHROOM HEAD BOLT M5x13 A	2	2								
	Q302022000	ARANDELA 16x6x1,2 A304	WASHER 16x6x1.2 A304	2	2								

MOD.		MARMITAS GAMA 900 / PAN 900 RANGE		ZONA	MUEBLE / UNIT					PLANO	C-2280
ITEM	CODIGO	DENOMINACION	TEXTO	MV9-10 BM	MV9-15 BM						NOTAS
11	X162814000	PANEL LATERAL DERECHO G900	RIGHT SIDE PANEL G900	1	1						
	Q221343000	REMACHE EXAGONAL M6	HEXAGONAL RIVET M6	11	11						
	Q221342000	REMACHE EXAGONAL M5	HEXAGONAL RIVET M5	6	6						
	Q012053000	TORNILLO EXAGONAL M8x20 A304	HEXAGONAL BOLT M8x20 A304	2	2						
12	S222606000	ESCUADRA INTE. ANT. MESA	BENCH FRONT INT BRACKET	1	1						
	Q221342000	REMACHE EXAGONAL M5	HEXAGONAL RIVET M5	7	7						
	Q012032000	TORNILLO EXAGONAL M5x15	HEXAGONAL BOLT M5x15	6	6						
13	S502803000	PORTAMANDOS MV9-00 BM	CONTROL HOLDER MV9-00 BM	1	1						
	Q152004000	TORNILLO APLAST. M5x13 A304	MUSHROOM HEAD BOLT M5x13 A304	4	4						
	Q221343000	REMACHE EXAGONAL M6	HEXAGONAL RIVET M6	2	2						
	Q151336000	TORNILLO SOPORTE GUIAS	GUIDE SUPPORT BOLT	2	2						
	Q302022000	ARANDELA 16x6x1,2 A304	WASHER 16x6x1.2 A304	2	2						
	U022836000	ESCUDO FAGOR	FAGOR EMBLEM	1	1						
	Q221023000	CLIP SUJECIÓN RÁPIDA Ø 5	RAPID FASTENING CLIP Ø5	2	2						
14	S182807000	PANEL FRONTAL MV9-10	FRONT PANEL MV9-10	1	-						
14	S502805000	PANEL FRONTAL MV9-15 BM	FRONT PANEL MV9-15 BM	-	1						
	Q012042000	TORNILLO EXAGONAL M6x15	HEXAGONAL BOLT M6x15	2	2						
	Q302022000	ARANDELA 16x6x1,2 A304	WASHER 16x6x1.2 A304	2	2						
15	S102610000	LISTON SOPORTE PATAS ANTER.	FRONT LEG SUPPORT STRIP	1	1						
16	X162813000	PANEL LATERAL IZQUIERDO G900	LEFT SIDE PANEL G900	1	1						
	Q221343000	REMACHE EXAGONAL M6	HEXAGONAL RIVET M6	11	11						
	Q221342000	REMACHE EXAGONAL M5	HEXAGONAL RIVET M5	6	6						
	Q012053000	TORNILLO EXAGONAL M8x20 A304	HEXAGONAL BOLT M8x20 A304	2	2						
17	S502604000	BASE INFERIOR MV900	LOWER BASE MV900	1	1						
	Q221343000	REMACHE EXAGONAL M6	HEXAGONAL RIVET M6	2	2						
18	X260151000	PATA REGULABLE	ADJUSTABLE LEG	4	4						
	Q411304000	REMACHE AVIBULB Ø4,8	AVIBULB RIVET Ø4.8	16	16						
19	S102611000	LISTON SOPORTE PATAS POS.1M	REAR LEG SUPPORT STRIP 1M	1	1						
	Q012042000	TORNILLO EXAGONAL M6x15	HEXAGONAL BOLT M6x15	8	8						
	Q302022000	ARANDELA 16x6x1,2 A304	WASHER 16x6x1.2 A304	8	8						
	Q232040000	ARANDELA A6	WASHER A6	8	8						

MOD.	MARMITAS GAMA 900 / PAN 900 RANGE	ZONA	MUEBLE / UNIT	PLANO	C-2280
------	-----------------------------------	------	---------------	-------	--------

ITEM	CODIGO	DENOMINACION	TEXTO	MV9-10 BM	MV9-15 BM							NOTAS
20	U562853000	PANEL POSTERIOR 1M G9-00	REAR PANEL 1M G9-00	1	1							
	Q419005000	REMACHE 4x8 ALMG3 / ALUMINIO	RIVET 4X8 ALMG3 / ALUMINIUM	8	8							
21	R205439000	SOPORTE EMBELLECEDOR 1M	TRIM SUPPORT 1M	1	1							
22	R205425000	EMBELLECEDOR ESMALTE	ENAMEL TRIM	2	2							



N plano	Firma	Fecha	Aparato	CONJUNTO FUNCIONAL	Lamina	Fagor Industrial S.Coop. <b>FAGOR</b>
C-2281	<i>[Signature]</i>	2009-03	MARMITA MV9-10 BM; MV9-15 BM		2	Oñate

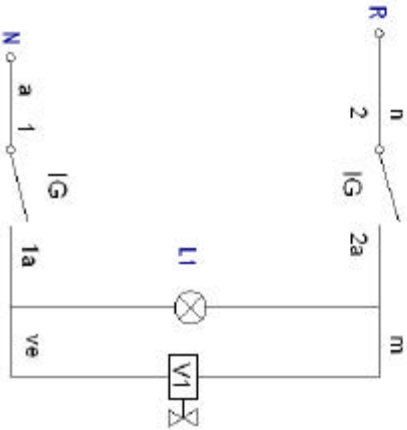
MOD.		MARMITAS GAMA 900 / PAN 900 RANGE		ZONA		CONJUNTO FUNCIONAL / FUNCTIONAL UNIT				PLANO		C-2281	
ITEM	CODIGO	DENOMINACION	TEXTO	MV9-10 BM	MV9-15 BM								NOTAS
1	S022100000	SOPORTE 3 SALIDAS 22805062	3-OUTPUT SUPPORT 22805062	1	1								
	Q306063000	ARANDELA Ø34x26,7x1,5	WASHER Ø34x26.7x1.5	1	1								
2	S022102000	PORTAMANOMETRO 2210617	MANOMETERHOLDER 2210617	1	1								
	Q306066000	ARANDELA Ø23,9x16,6x3	WASHER Ø23.9X16.6X3	1	1								
3	9220815000	MANOMETRO 36303601	MANOMETER 36303601	1	1								
4	S022101000	VALVULA SEGURIDAD 01508004	SAFETY VALVE 01508004	1	1								
	Q306063000	ARANDELA Ø34x26,7x1,5	WASHER Ø34x26.7x1.5	1	1								
5	S022103000	VALVULA PRESION 01509004	PRESSURE VALVE 01509004	1	1								
	Q306064000	ARANDELA Ø29,8x24,8x1,5	WASHER Ø29.8x24.8x1.5	1	1								
6	S052100000	TUBO LLENADO 01102113	FILLER PIPE 01102113	1	1								
7	S516113000	CUBA COMPLETA MV9-10 BM	COMPLETE TUB MV9-10 BM	1	-								
7	S506122000	CUBA COMPLETA MV9-15 BM	COMPLETE TUB MV9-15 BM	-	1								
8	T343008000	CONMUTADOR HGC	SWITCH HGC	1	1								
9	S502803000	PORTAMANDOS MV9-00 BM	CONTROL HOLDER MV9-00 BM	1	1								
10	X022133000	MANDO AGUA MARMITA Ø 6	WATER PAN CONTROL Ø 6	1	1								
11	X143018000	PILOTO AMBAR SARTEN	FRYING PAM AMBER PILOT	1	1								
12	S112803000	CUBIERTA GRIFO MG-900	TAP COVER MG-900	1	1								
S/Nº	S112105000	MUELLE MV9-00	SPRING MV9-00	1	1								
13	S102125000	GRIFO VACIADO 2"	DRAINAGE TAP 2"	1	1								
14	S502102000	GRIFO CONDENSAC. BPT13AX 1/2	CONDENS. TAP BPT13AX 1/2	1	1								
15	S205023000	MANGUITO DOBLE 1/2	DOUBLE SLEEVE 1/2	1	1								
16	Q223010000	TUERCA 1/2 GAS	NUT 1/2 GAS	1	1								
	Q306024000	JUNTA18X12.5X1.5	SEAL 18X12.5X1.5	1	1								
17	H315014000	TUBO ANTERIOR DESAGÜE	DRAINAGE PIPE	1	1								
18	S502106000	MANGUITO DOBLE 3/4"- 1/2"	DOUBLE SLEEVE 3/4"- 1/2"	1	1								
19	Z102308000	FILTRO 3/4	FILTER 3/4"	1	1								
	R205062000	TUERCA CIEGA 1/2"	1/2" NUT	1	1								
	Q306053000	ARANDELA TAPON 18.5X3	18.5X3 WASHER	1	1								
20	Z718421000	CODO M-H 3/4" LATON	L-BEND M-H 3/4" BRASS	1	1								

MOD.		MARMITAS GAMA 900 / PAN 900 RANGE		ZONA		CONJUNTO FUNCIONAL / FUNCTIONAL UNIT				PLANO		C-2281	
ITEM	CODIGO	DENOMINACION	TEXTO	MV9-10 BM	MV9-15 BM								NOTAS
21	S185006000	CONDUCCION ENTRADA VAPOR	STEAM INPUT PIPE	1	1								ELIMINADO 30.06.09
21	S185012000	CONDUCCION ENTRADA VAPOR	STEAM INPUT PIPE	1	1								INTRODUCIDO 30.06.09
	Q221343000	REMACHE EXAGONAL M6	HEXAGONAL RIVET M6	1	1								
	Q012042000	TORNILLO EXAGONAL M6X15	HEXAGONAL BOLT M6x15	1	1								
	Q302022000	ARANDELA 16X6X1.2 A.304	WASHER 16X6X1.2 A.304	1	1								
22	S502103000	VALVULA ESFERA PASO TOTAL	SPHERICAL VALVE TOTAL PASS	1	1								
23	S502105000	CODO MACHO-HEMBRA 1"	MALE-FEMALE L-BEND 1"	1	1								
24	S502104000	RACOR EMPALME DE 1	CONNECTION 1	1	1								
25	Z701135000	ELECTROVALVULA SIMP. 220V	SIMPLE SOLENOID VALVE 220V	1	1								
	S222645000	PROT. ELECTROVALVULA M900	SOLENOID PROTECTION M900	1	1								INTRODUCIDO 01.12.09
	S222646000	TAPA PROTEC. ELECTR. M900	PROT. COVER SOLENOID M900	1	1								INTRODUCIDO 01.12.09
	Z601156000	REGULADOR 8L RO. 254.034	REGULATOR 8L RED 254.034	3	3								
	Q032021000	TORNILLO ALOMADO M4X10	CURVED SCREW M4X10	4	4								
S/Nº	3676900000	TUBO GOMA NEGRA Ø 17*10	BLACK RUBBER PIPE 17*10	1	1								
	Q881308000	ABRAZADERA 8-14L	CLAMP 8-14L	2	2								
26	S565027000	TUBO ENTRADA TUBO LLENADO	INTAKE PIPE FILLER PIPE	1	1								
	Q306024000	JUNTA18X12.5X1.5	SEAL 18X12.5X1.5	1	1								



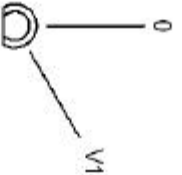


MOD. MARMITAS GAMA 900 / PAN 900 RANGE		ZONA VARIOS / VARIOUS		PLANO									
ITEM	CODIGO	DENOMINACION	TEXTO	MV9-10 BM	MV9-15 BM								NOTAS
	S246501000	FOLLETO DE INSTRUCCIONES MV	INSTRUCTION LEAFLET MV	1	1								
	S593002000	ESQUEMA TEORICO ADHESIVO	THEOR. DIAGRAM LABEL	1	1								PLANO HB-80044
	S593003000	CABLEADO MARMITA MV7-10 BM	PAN WIRING MV7-10 BM	1	1								



arrosa-kolore  
 marro-berde-urdin  
 marro-berde-urdin  
 marro-berde-urdin  
 marro-berde-urdin

IG = Interruptor general  
 L1 = Lampara funtzionamendua  
 V1 = Valbula Agua Caliente



IG	1 1a	2 2a
0		
V1	X	X

**S593002000**

Eskema teorikoa: MV7-10 BM		S593002000		-	
Zk./Nº	Pieza	Cant.	Materia/Material	Klas. zki/Nº Clas.	Gainazal akabera/Tratamendu
Zk./Nº	Aldaketak/Modifikazioak		Notak proposaturak/Proposatuak	Data/Fecha	Perdatu orokorrak Tolerantziak generales
-	-	-	-	-	$0.5 \pm 0.2$ $50 - 100 \pm 0.8$ $5 - 25 \pm 0.4$ $>100 \pm 1$ $25 - 50 \pm 0.6$ $\phi \pm 1$
Sinatzailea/Firma Marmizua/Dibujado: <i>e carascal</i> Proiektatzailea/Proyectado: <i>e carascal</i> Egiaztatzailea/Comprobado: <i>z. J. Berd...</i> Eskalar/Escala:			Data/Fecha 2007-12-11 2007-12-11 2007-12-11		Gainazal perditua Metanizazio superficial -
<b>MARMITAK</b>				Plano Zk./Plano Nº <b>HB-80044</b>	
Plano hau ezin da teke erabili, ez berrintzatu, gure baitan inke gabe.				- Zk. ord. du - Zk. ga. bik. ord.	



Fagor Industrial/Coop. Eik, Mugatua