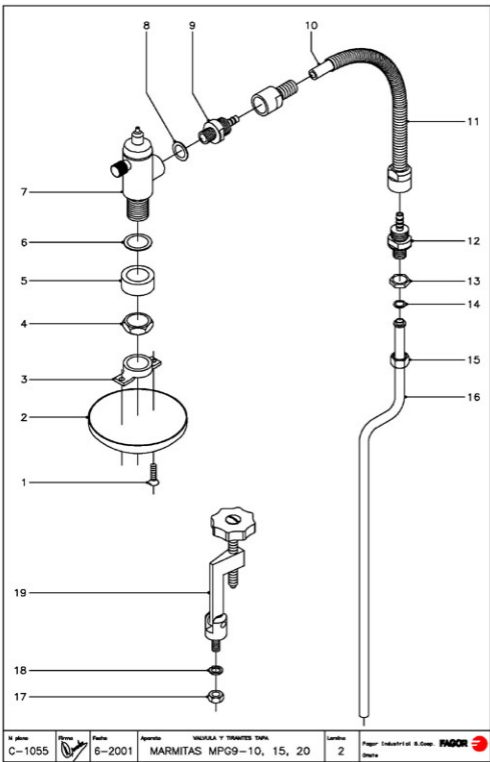
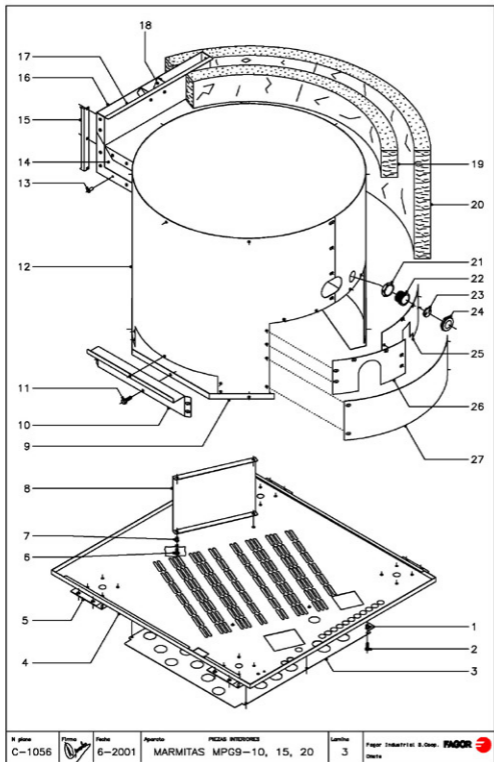


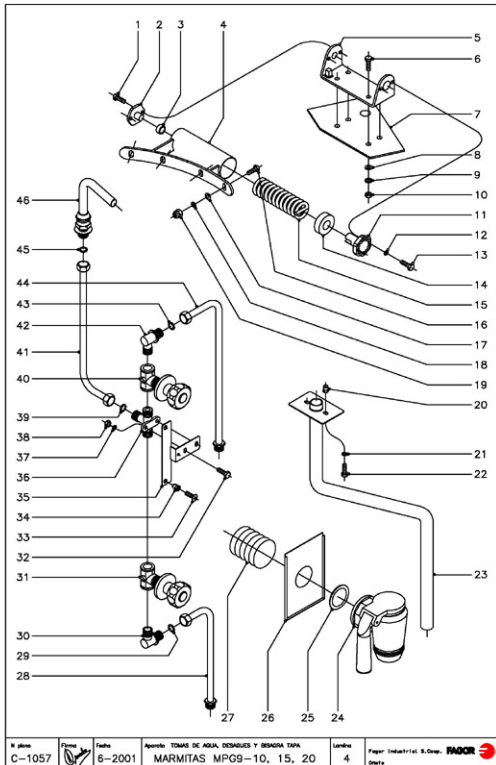
1	S056137	24	Q152004
2	S036123	25	S326540
3	Q012053	26	Q221343
4	S056109	27	Q302022
5	R165431	28	Q012042
6	Q152004	29	Q221343
7	Q152004	30	X162810
8	X162811	30	X192803
8	X192805	30	S372810
8	S372812	31	X260150
9	Q221342	32	Q411304
10	Q221342	33	Q012042
11	Q152004	34	Q162040
12	R162613	35	Q302022
13	U262806	36	S032631
	Q221023	37	Q221343
14	Q221342	38	S032645
15	Q152004		Q221342
16	Q221343		Q152004
17	Q151336	39	U562853
18	S032806	39	X242817
19	S032807	39	S372816
20	Q419005	40	Q419006
21	S012802	41	S016145
21	S062810	41	S036145
21	S032802	42	S036117
21	S272801		Q412000
22	Q221342	43	S196150
23	Q221342	43	S056150
		43	S286150
		44	R205428
			Q419005
		45	R205425



1	Q152024
2	S102116
3	S102115
4	Q223014
5	S102114
6	Q306037
7	S102101
8	Q306038
9	S102122
10	3676900
11	S052102
12	S102122
13	Q221302
14	Q306024
15	Q223010
16	S135000
17	Q162070
18	Q261570
19	S052101



1	Q221342
2	Q152004
3	S272610
4	S272606
4	S062811
4	S372814
5	S032631
6	Q012031
7	Q221342
8	S012616
8	S032639
8	S062606
9	S032636
9	S042625
10	S272609
11	Q151323
12	S012615
12	S032635
12	S272605
12	S062605
13	Q419005
14	S032641
14	S042631
15	X162657
16	S032644
16	S042628
17	S032643
17	S042629
18	S035400
19	S116403
20	R092622
21	Q223014
22	9294500
23	9294600
24	9294400
25	S032637
25	S272607
26	S032638
26	S272608
27	S012617
27	S062607



1	Q012041
2	S116119
3	S116126
4	S036143
4	S036146
5	S036131
6	Q012055
7	S026102
8	Q232050
9	Q262050
10	Q162050
11	S116120
12	Q262040
13	Q012042
14	S116118
15	S116121
16	Q012053
17	Q232050
18	Q262050
19	Q212051
20	Q221342
21	Q262030
22	Q012032
23	S036119
23	S065004
24	S112150
25	S112152
26	S112603
27	S112105
28	S035036
28	S065020
28	S375007
29	Q306024
30	S115013
31	S112151
32	Q012042
33	Q152004
34	Q221342
35	S032640
36	S205022
37	Q262040
38	Q162040
39	Q306024
40	S112154
41	S035032
42	S115013
43	Q306024
44	S035035
44	S065018
44	S345010
45	Q306024
46	S052100

Nº plano  
C-1057

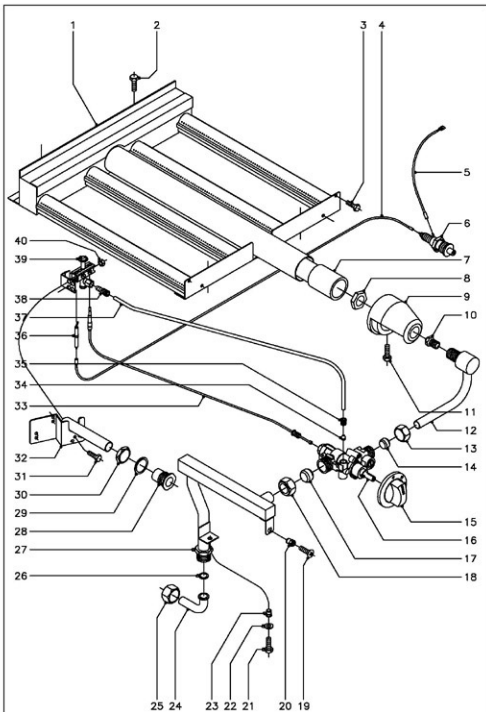


Fecha  
6-2001

Aprobado TOMAS DE AGUA, DESAGUES Y BARRERA TAPA  
MARMITAS MPG9-10, 15, 20

Laminas  
4

Faber Industrial S. Coop. **FAFOR**  
Date



1	S275705	20	Q221342
2	Q012031	21	Q012042
3	Q012031	22	Q302022
4	U323030	23	Q221343
5	U333003	24	U565007
6	S113034	25	U725006
7	S135733	26	Q306052
8	Q221302	27	S035030
9	628100	27	S065016
10	S012400	27	S035030
10	S032400	28	S112804
10	S172400	29	Q306027
10	S012401	30	Q221324
10	S114401	31	Q012031
10	S114400	32	S045028
10	S012402	33	U562130
10	S032401	34	X205028
10	S172402	35	S312107
11	Q012043	36	X012101
12	S015010	37	S015012
12	S035025	37	S035027
12	S045025	37	S045027
13	S312105	38	U134323
14	S312106	39	R202100
15	S312110		U442138
16	S312101		U442137
17	S312104		
18	S312103		
19	Q152004		

<b>BUTANO - PROPANO</b>		
10	S012400	Tobera Ø 2,20
10	S032400	Tobera Ø 2,45
10	S172400	Tobera Ø 2,55
39	U442138	injector piloto Ø 0,25
s/n	U136501	indicador ( Butano - Propano )
<b>GAS NATURAL</b>		
10	S012401	Tobera Ø 3,10
10	S114401	Tobera Ø 3,65
10	S114400	Tobera Ø 3,80
39	U442137	injector piloto Ø 0,40
s/n	U134402	indicador ( Gas Natural )
<b>GAS VILLA</b>		
10	S012402	Tobera Ø 5,90
10	S032401	Tobera Ø 6,90
10	S172402	Tobera Ø 7,75
39	U442138	injector piloto Ø 0,25
s/n	U134310	indicador ( Gas Villa )