

**Marmitas a gas de fuego directo
Gas direct boling pans
Marmites á gaz chauffage direct
Gas -Kochkessel mit direktbeheizung
Pentole riscaldamento diretto a gas
Marmitas a gás de fogo direto**

GAMA 900

Modelos:

MG9-10 AD

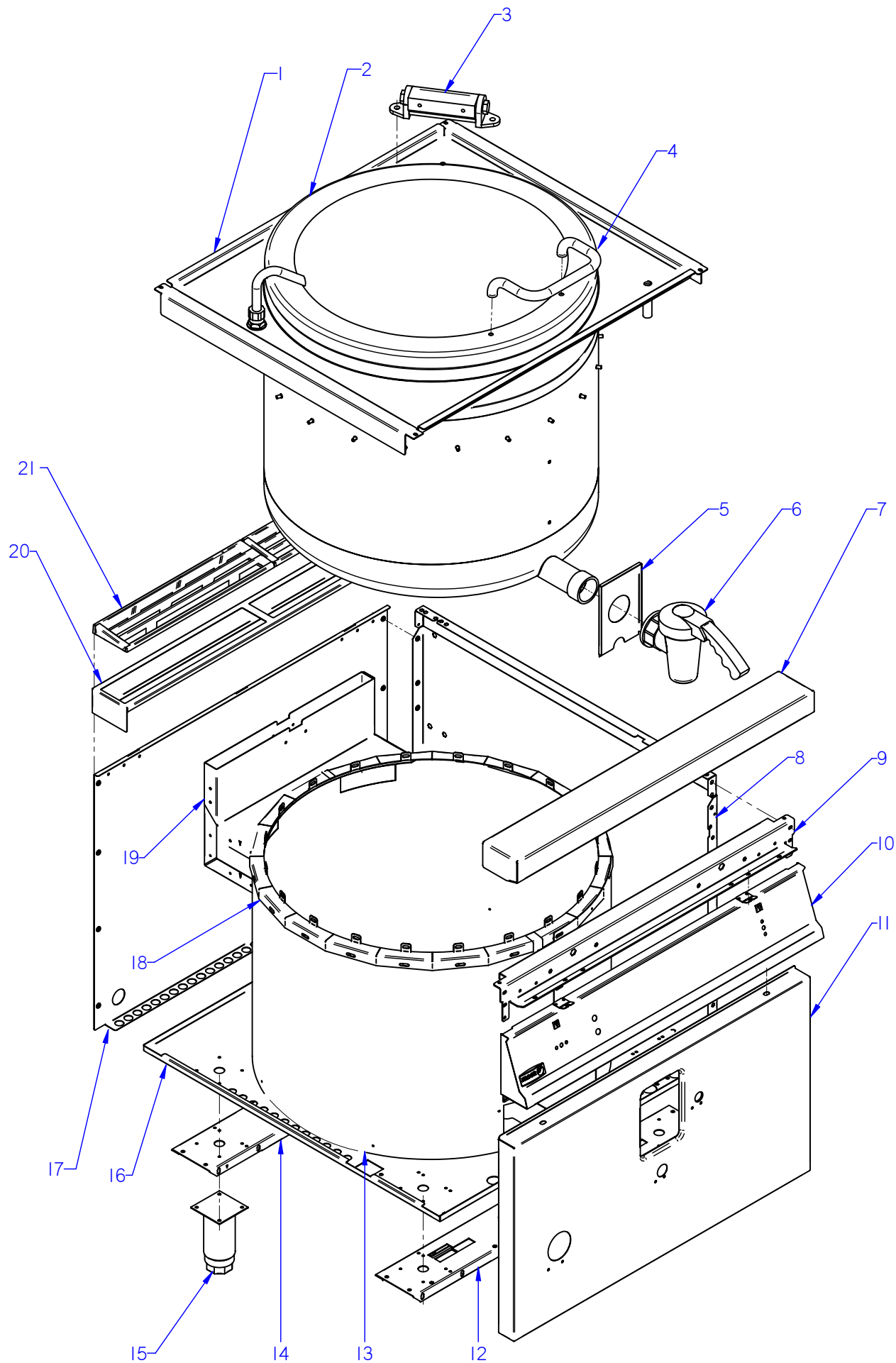
MG9-15 AD

MG9-20 AD

Octubre 2011 October

FAGOR 

FAGOR INDUSTRIAL



ITEM MARCADO EN COLOR = REPUESTO RECOMENDADO
 COLOURED ITEM = RECOMMENDED SPARE PART

Nº plano / N° plane	Firma	Fecha / Date	Denominación / Denomination: MUEBLE / FITTING	Lamina / Sheet	Fagor Industrial S.Coop. FAGOR
C-2907	<i>[Signature]</i>	2011-10	MARMITAS MG9-10 AD/ 15 AD/ 9-20 AD	1	Oñate

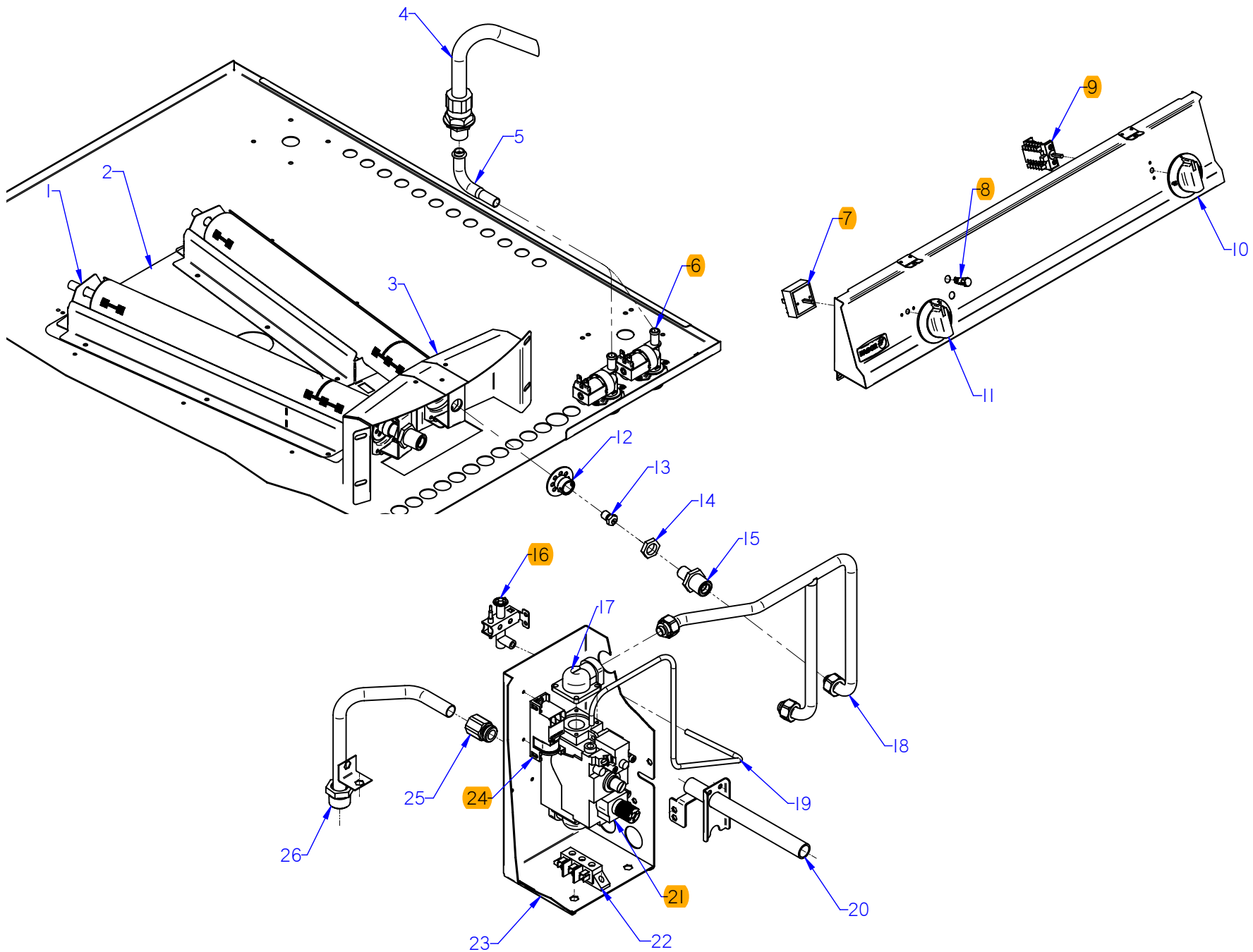
MOD.		MARMITAS / BOILING PANS	ZONA / ZONE	MUEBLE / FITTING						PLANO DIAGRAM	C-2907			
ITEM	CODIGO REFERENCE	DENOMINACION	DENOMINATION	MG9-10 AD	MG9-10 S AD	MG9-15 AD	MG9-15 S AD	MG9-20 AD	MG9-20 S AD			ELIMINADO ELIMINATED	INTRODUCID. INTRODUCED	NOTAS
1	S266110000	ENCIMERA MG9-10 15 20 AD	TOP MG9-10 15 20 AD	1	1	1	1	1	1					
2	S266122000	CUBA+TAPA G MG9-10 AD	TUB+COVER G MG9-10 AD	1	1	-	-	-	-					
2	S266108000	CUBA+TAPA G MG9-15 AD	TUB+COVER G MG9-15 AD	-	-	1	1	-	-					
2	S266114000	CUBA+TAPA G MG9-20 AD	TUB+COVER G MG9-20 AD	-	-	-	-	1	1					
S/Nº	S266123000	CUBA COMPLETA MG9-10 AD	COMPLETE TUB MG9-10 AD	1	1	-	-	-	-					
S/Nº	S266109000	CUBA COMPLETA MG9-15 AD	COMPLETE TUB MG9-15 AD	-	-	1	1	-	-					
S/Nº	S266115000	CUBA COMPLETA MG9-20 AD	COMPLETE TUB MG9-20 AD	-	-	-	-	1	1					
S/Nº	S266106000	TAPA COMPLETA	COMPLETE COVER	1	1	1	1	1	1					
S/Nº	S016101000	FILTRO DE CUBA	TUB FILTER	1	1	1	1	1	1					
	S036117000	SOPORTE FILTRO	FILTER SUPPORT	2	2	2	2	2	2					
	Q412000000	REMACHE TUBULAR 4x8	TUBULAR RIVET 4x8	8	8	8	8	8	8					
S/Nº	9294600000	MIRILLA CRISTAL	INSPECTION WINDOW	1	1	1	1	1	1					
S/Nº	S312617000	TAPA MIRILLA	INSPECTION WINDOW COVER	1	1	1	1	1	1					
	Q221342000	REMACHE EXAGONAL M5	HEXAGONAL RIVET M5	2	2	2	2	2	2					
	Q012031000	TORNILLO EXAGONAL M5x10 A304	HEXAGONAL BOLT M5x10 A304	2	2	2	2	2	2					
3	X026123000	BISAGRA ADVANCE	HINGE ADVANCE	1	1	1	1	1	1					
4	S266124000	ASA DE TAPA AD	COVER HANDLE AD	1	1	1	1	1	1					
	S262678000	CASQUILLO AMARRE TAPA	BUSHING COVER CAP	2	2	2	2	2	2					
	Q012021000	TORNILLO EXAGONAL M4X10	HEXAGONAL BOLT M4X10	2	2	2	2	2	2					
5	S112803000	CUBIERTA GRIFO MG-900	TAP COVER MG-900	1	1	1	1	-	-					
5	S252804000	CUBIERTA GRIFO MG-920	TAP COVER MG-920	-	-	-	-	1	1					
S/Nº	S112105000	MUELLE SOPORTE CUB. 07003	SPRING COVER SUPPORT 07003	1	1	1	1	1	1					
6	S102125000	GRIFO VACIADO 2"	DRAINAGE TAP 2"	1	1	1	1	1	1					
7	S105403000	ANTERIOR DE MESA 1M	BENCH FRONT 1M	1	-	1	-	1	-					
	Q152004000	TORNILLO APLAST. M5x13 A304	MUSHROOM HEAD BOLT M5x13 A304	2	-	2	-	2	-					
	Q302022000	ARANDELA 16x6x1,2 A304	WASHER 16x6x1.2 A304	2	-	2	-	2	-					
8	X162814000	PANEL LATERAL DERECHO G900	RIGHT SIDE PANEL G900	1	-	1	-	1	-					
8	S142806000	PANEL LATERAL DERECH. G9-00S	RIGHT SIDE PANEL G9-00S	-	1	-	-	-	-					
8	S222808000	PANEL LATERAL DERECH. G9-00S	RIGHT SIDE PANEL G9-00S	-	-	-	1	-	1					

MOD.		MARMITAS / BOILING PANS	ZONA / ZONE	MUEBLE / FITTING						PLANO DIAGRAM	C-2907			
ITEM	CODIGO REFERENCE	DENOMINACION	DENOMINATION	MG9-10 AD	MG9-10 S AD	MG9-15 AD	MG9-15 S AD	MG9-20 AD	MG9-20 S AD			ELIMINADO ELIMINATED	INTRODUCID. INTRODUCED	NOTAS
S/Nº	X162813000	PANEL LATERAL IZQUIERDO G900	LEFT SIDE PANEL G900	1	-	1	-	1	-					
S/Nº	S142805000	PANEL LATERAL IZQUIERD. G900S	LEFT SIDE PANEL G900S	-	1	-	-	-	-					
S/Nº	S222807000	PANEL LATERAL IZQUIERD. G915S	LEFT SIDE PANEL G915S	-	-	-	1	-	1					
	Q221343000	REMACHE EXAGONAL M6	HEXAGONAL RIVET M6	22	-	22	-	22	-					
	Q221342000	REMACHE EXAGONAL M5	HEXAGONAL RIVET M5	12	12	12	12	12	12					
	Q012053000	TORNILLO EXAGONAL M8x20 A304	HEXAGONAL BOLT M8x20 A304	4	-	4	-	4	-					
	Q012031000	TORNILLO EXAGONAL M5x10 A304	HEXAGONAL BOLT M5x10 A304	-	2	-	2	-	2					
9	S262607000	ESCUADRA INTERIOR MESA 1M	INTERIOR SQUARE TABLE 1M	1	1	1	1	1	1					
	Q221342000	REMACHE EXAGONAL M5	HEXAGONAL RIVET M5	7	7	7	7	7	7					
	Q012032000	TORNILLO EXAGONAL M5X15	HEXAGONAL BOLT M5x15	6	6	6	6	6	6					
10	S162807000	PORTAMANDOS MARMITA 1M	PAN CONTROL HOLDER 1M	1	1	1	1	1	1					
	Q152004000	TORNILLO APLAST. M5x13 A304	MUSHROOM HEAD BOLT M5x13	4	4	4	4	4	4					
	Q221343000	REMACHE EXAGONAL M6	HEXAGONAL RIVET M6	2	2	2	2	2	2					
	Q151336000	TORNILLO SOPORTE GUIAS	GUIDE SUPPORT BOLT	2	2	2	2	2	2					
	Q302022000	ARANDELA 16x6x1,2 A304	WASHER 16x6x1.2 A304	2	2	2	2	2	2					
	U022836000	ESCUDO FAGOR	FAGOR EMBLEM	1	1	1	1	1	1					
	Q221023000	CLIP SUJECIÓN RÁPIDA Ø 5	RAPID FASTENING CLIP Ø5	2	2	2	2	2	2					
11	S262813000	PANEL FRONTAL MG9-10 AD	FRONT PANEL MG9-10 AD	1	-	-	-	-	-					
11	S262814000	PANEL FRONTAL MG9-10S AD	FRONT PANEL MG9-10S AD	-	1	-	-	-	-					
11	S262803000	PANEL FRONTAL MG9-15 AD	FRONT PANEL MG9-15 AD	-	-	1	1	-	-					
11	S262817000	PANEL FRONTAL MG9-20 AD	FRONT PANEL MG9-20 AD	-	-	-	-	1	1					
	Q012042000	TORNILLO EXAGONAL M6x15	HEXAGONAL BOLT M6x15	2	2	2	2	2	2					
	Q302022000	ARANDELA 16x6x1,2 A304	WASHER 16x6x1.2 A304	2	2	2	2	2	2					
12	S262652000	LISTON SOPORTE PATAS ANT.1M	FRONT LEG SUPPORT STRIP 1M	1	-	1	-	1	-					
13	S262664000	ENVOLVENTE MG9-10 AD	ENCLOSURE MG9-10 AD	1	-	-	-	-	-					
13	S262665000	ENVOLVENTE MG9-10 S AD	ENCLOSURE MG9-10 S AD	-	1	-	-	-	-					
13	S262630000	ENVOLVENTE MG9-15 AD	ENCLOSURE MG9-15 AD	-	-	1	1	-	-					
13	S262651000	ENVOLVENTE MG9-20 AD	ENCLOSURE MG9-20 AD	-	-	-	-	1	1					
	Q151323000	TORNILLO BROCA 4,8X16	DRILL BIT SCREW 4.8X16	27	27	27	27	27	27					

MOD.		MARMITAS / BOILING PANS	ZONA / ZONE	MUEBLE / FITTING						PLANO DIAGRAM	C-2907			
ITEM	CODIGO REFERENCE	DENOMINACION	DENOMINATION	MG9-10 AD	MG9-10 S AD	MG9-15 AD	MG9-15 S AD	MG9-20 AD	MG9-20 S AD			ELIMINADO ELIMINATED	INTRODUCID. INTRODUCED	NOTAS
14	S262653000	LISTON SOPORTE PATAS POS.1M	REAR LEG SUPPORT STRIP 1M	1	-	1	-	1	-					
	Q012042000	TORNILLO EXAGONAL M6x15	HEXAGONAL BOLT M6x15	8	-	8	-	8	-					
	Q302022000	ARANDELA 16x6x1,2 A304	WASHER 16x6x1.2 A304	8	-	8	-	8	-					
	Q232040000	ARANDELA A6	WASHER A6	8	-	8	-	8	-					
15	X260151000	PATA REGULABLE	ADJUSTABLE LEG	4	-	4	-	4	-					
	Q411304000	REMACHE AVIBULB Ø4,8	AVIBULB RIVET Ø4.8	16	-	16	-	16	-					
16	S262601000	BASE INFERIOR AD	LOWER BASE AD	1	-	1	-	1	-					
16	S262615000	BASE INFERIOR MG9-15 S AD	LOWER BASE MG9-15 S AD	-	1	-	1	-	1					
	Q221343000	REMACHE EXAGONAL M6	HEXAGONAL RIVET M6	2	2	2	2	2	2					
	Q162040000	TUERCA EXAGONAL M6	HEXAGONAL NUT M6	4	-	4	-	4	-					
17	X022841000	PANEL POSTERIOR 1M G9-00 AD	REAR PANEL 1M G9-00 AD	1	-	1	-	1	-					
17	S262806000	PANEL POSTERIOR 1M G9-10S AD	REAR PANEL 1M G9-10S AD	-	1	-	-	-	-					
17	S262804000	PANEL POSTERIOR 1M G9-15 S	REAR PANEL 1M G9-15 S	-	-	-	1	-	1					
	Q419005000	REMACHE 4x8 ALMG3 / ALUMINIO	RIVET 4X8 ALMG3 / ALUMINIUM	8	8	8	8	8	8					
18	S262632000	VIROLA MG900 FG AD	SHELL MG900 FG AD	2	2	2	2	-	-					
18	S262616000	VIROLA MG900 BM AD	SHELL MG900 BM AD	-	-	-	-	2	2					
	Q162040000	TUERCA EXAGONAL M6	HEXAGONAL NUT M6	20	20	20	20	20	20					
	Q302022000	ARANDELA 16x6x1,2 A304	WASHER 16x6x1.2 A304	20	20	20	20	20	20					
19	S262622000	ANTERIOR CHIMENEA MG9-10 AD	FLUEPIPE FRONT MG9-10 AD	1	1	1	1	-	-					
19	S262634000	ANTERI. CHIMENEA MG9-10BM AD	FRONT FLUEPIPE MG9-10BM AD	-	-	-	-	1	1					
S/Nº	S262621000	POSTERIOR CHIMENEA MG9-10 AD	REAR FLUEPIPE MG9-10 AD	1	1	1	1	-	-					
S/Nº	S262633000	POSTERI. CHIMENEA MG9-10BM AD	REAR FLUEPIPE MG9-10BM AD	-	-	-	-	1	1					
20	R205439000	SOPORTE EMBELLECEDOR 1M	TRIM SUPPORT 1M	1	1	1	1	1	1					
21	R205425000	EMBELLECEDOR ESMALTE	ENAMEL TRIM	2	2	2	2	2	2					

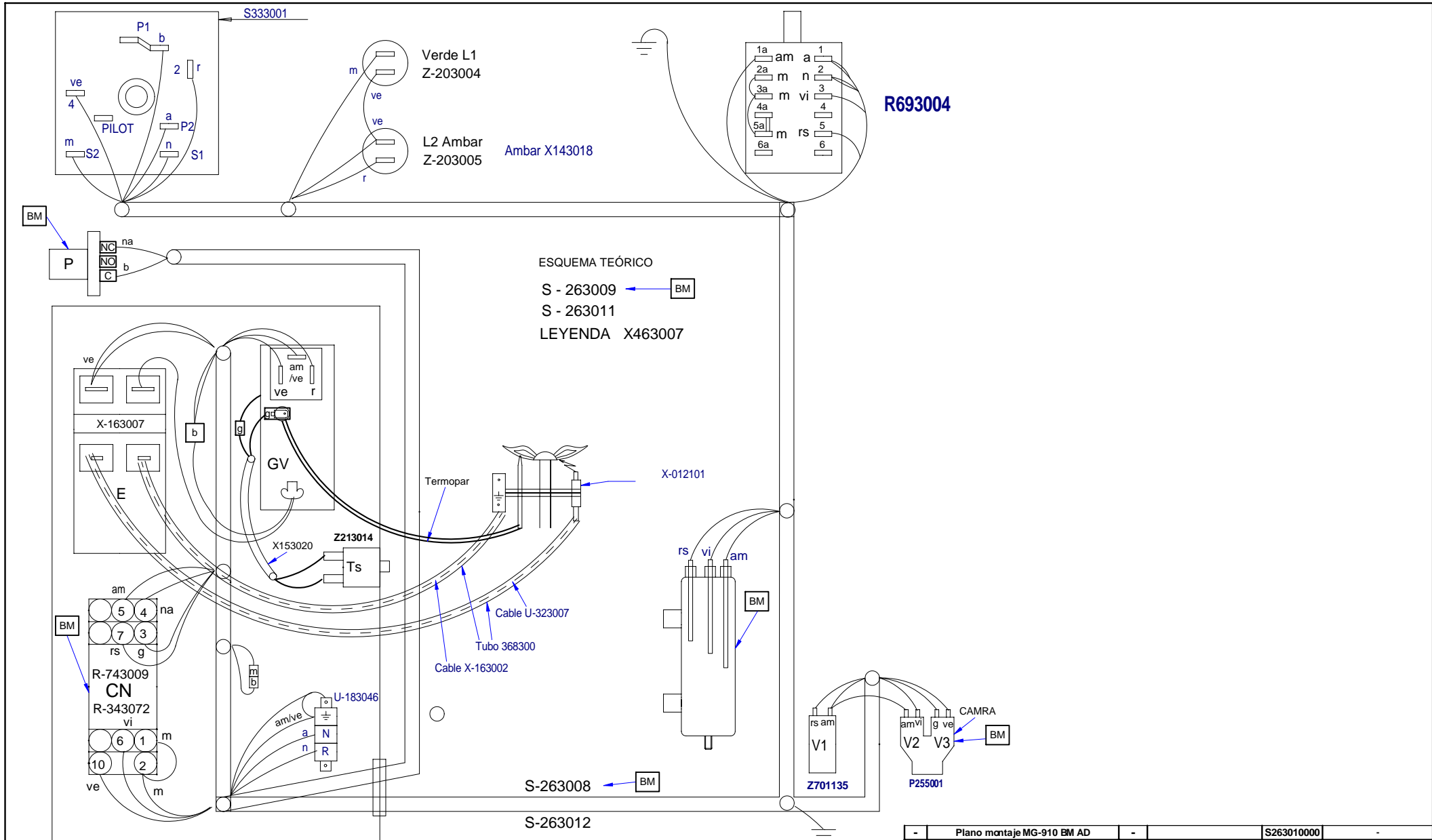
Nº plano / N° plane	Firma	Fecha / Date	Denominación / Denomination:	PARTE FUNCIONAL / FUNCTIONAL PART	Lamina / Steel	Fogor Industri al. s. coop. FAGOR
C-2908		2011-1-10	MARMITAS MG9-10 AD/ 15 AD/ 20 AD		2	Onote

ITEM MARCADO EN COLOR = REPUESTO RECOMENDADO
 COLOURED ITEM = RECOMMENDED SPARE PART



MOD.		MARMITAS / BOILING PANS	ZONA / ZONE	PARTE FUNCIONAL / FUNCTIONAL PART						PLANO DIAGRAM	C-2908			
ITEM	CODIGO REFERENCE	DENOMINACION	DENOMINATION	MG9-10 AD	MG9-10 S AD	MG9-15 AD	MG9-15 S AD	MG9-20 AD	MG9-20 S AD			ELIMINADO ELIMINATED	INTRODUCID. INTRODUCED	NOTAS
1	S225701000	QUEMADOR DE POLIDORO MG900	POLIDORO BURNER MG900	2	2	2	2	2	2					
	Q012021000	TORNILLO EXAGONAL M4x10 A304	HEXAGONAL BOLT M4x10 A304	8	8	8	8	8	8					
2	S262666000	BASE QUEMADOR MG9-10 AD	BURNER BASE MG-910 AD	1	-	-	-	-	-					
2	S262667000	BASE QUEMADOR MG-910 S AD	BURNER BASE MG-910 S AD	-	1	-	-	-	-					
2	S262631000	BASE QUEMADOR MG9-15 AD	BURNER BASE MG-915 AD	-	-	1	1	-	-					
2	S262609000	BASE QUEMADOR MG9-10BM AD	BURNER BASE MG9-10BM AD	-	-	-	-	1	1					
	Q419005000	REMACHE 4x8 ALMG3 / ALUMINIO	RIVET 4X8 ALMG3 / ALUMINIUM	-	10	10	10	10	10					
S/Nº	S262611000	DEFLECTOR DCHO. QUEMADOR A	RIGHT DEFLECTOR BURNER AD	1	1	1	1	1	1					
S/Nº	S262612000	DEFLECTOR IZDO. QUEMADOR AD	LEFT DEFLECTOR BURNER AD	1	1	1	1	1	1					
3	S262667000	FRONTAL QUEMADOR MG9-10 AD	BURNER FRONT MG9-10 AD	1	1	-	-	-	-					
3	S262625000	FRONTAL QUEMADOR MG9-15 AD	BURNER FRONT MG9-15 AD	-	-	1	1	-	-					
3	S262617000	FRONTAL QUEMADOR MG9-20 AD	BURNER FRONT MG9-20 AD	-	-	-	-	1	1					
	Q221342000	REMACHE EXAGONAL M5	HEXAGONAL RIVET M5	2	2	2	2	2	2					
	Q221341000	REMACHE EXAGONAL M4	HEXAGONAL RIVET M4	8	8	8	8	8	8					
4	S052100000	TUBO LLENADO 01102113	FILLER PIPE 01102113	1	1	1	1	1	1					
5	S565027000	TUBO ENTRADA TUBO LLENADO	INTAKE PIPE FILLER PIPE	1	1	1	1	1	1					
	Q306024000	JUNTA 18X12.5X1.5	SEAL 18X12.5X1.5	1	1	1	1	1	1					
	Q223010000	TUERCA 1/2 GAS	NUT 1/2 GAS	1	1	1	1	1	1					
S/Nº	3676900000	TUBO GOMA NEGRA Ø 17*10	BLACK RUBBER PIPE 17*10	3	3	3	3	3	3					
	Q881308000	ABRAZADERA 8-14L	CLAMP 8-14L	6	6	6	6	6	6					
S/Nº	Z201106000	RACORD EN Y	Y-CONNECTION	1	1	1	1	1	1					
6	Z701135000	ELECTROVALVULA SIMP. 220V	SIMPLE SOLENOID VALVE 220V	2	2	2	2	2	2					
	Z601156000	REGULADOR 8L RO. 254.034	REGULATOR 8L RED 254.034	2	2	2	2	2	2					
	Q032021000	TORNILLO ALOMADO M4X10	CURVED SCREW M4X10	4	4	4	4	4	4					
7	S333001000	REGULADOR DE ENERGIA	ENERGY REGULATOR	1	1	1	1	1	1					
S/Nº	R052102000	JUNTA COMPONENT. ELECTRICOS	BOARD OF ELECTRICAL COMP.	1	1	1	1	1	1					
8	Z313080000	PILOTO AMBAR Ø18	AMBER PILOT Ø18	1	1	1	1	1	1					
9	R693004000	CONMUTADOR DE FUNCIONES	FUNCTIONS SWITCH	1	1	1	1	1	1					
S/Nº	R052102000	JUNTA COMPONENT. ELECTRICOS	BOARD OF ELECTRICAL COMP.	1	1	1	1	1	1					
10	S142105000	MANDO AGUA MARMITA FG(08)	WATER PAN CONTROL FG(08)	1	1	1	1	1	1					
11	S162102000	BOTON DE MANDO	CONTROL BUTTON	1	1	1	1	1	1					

MOD.		MARMITAS / BOILING PANS	ZONA / ZONE	PARTE FUNCIONAL / FUNCTIONAL PART						PLANO DIAGRAM	C-2908			
ITEM	CODIGO REFERENCE	DENOMINACION	DENOMINATION	MG9-10 AD	MG9-10 S AD	MG9-15 AD	MG9-15 S AD	MG9-20 AD	MG9-20 S AD			ELIMINADO ELIMINATED	INTRODUCID. INTRODUCED	NOTAS
11	S162102000	BOTON DE MANDO	CONTROL BUTTON	1	1	1	1	1	1					
12	X505013000	REGULADOR DE AIRE POLIDORO	POLIDORO AIR CONTROL	2	2	2	2	2	2					
	Q012021000	TORNILLO EXAGONAL M4x10 A304	HEXAGONAL BOLT M4x10 A304	2	2	2	2	2	2					
13	9105100000	TOBERA Ø 1.50 BUT-PROPANO	NOZZLE Ø 1.50 BUT-PROPANE	2	2	-	-	-	-					
13	U134401000	TOBERA Ø 2,20 GAS NATURAL	NOZZLE Ø 2.20 GAS NATURAL	2	2	-	-	-	-					
13	N502401000	TOBERA Ø 1.70 BUT-PROPANO	NOZZLE Ø 1.70 BUT-PROPANE	-	-	2	2	2	2					
13	S222401000	TOBERA Ø 2,55 GAS NATURAL	NOZZLE Ø 2.55 GAS NATURAL	-	-	2	2	2	2					
14	Q223019000	TUERCA 3/8 GAS LATÓN	NUT 3/8 GAS BRASS	2	2	2	2	2	2					
15	X505724000	MANGUITO PORTATOBERAS	NOZZLE HOLDER SLEEVE	2	2	2	2	2	2					
16	U322118000	PILOTO COMPLETO BP 100.062	COMPL. PILOT BP 100.062	1	1	1	1	1	1					
	U442137000	INYECTOR Ø 0,4 (GAS NATURAL)	NOZZLE Ø 0.4 (GAS NATURAL)	1	1	1	1	1	1					
	Q221342000	REMACHE EXAGONAL M5	HEXAGONAL RIVET M5	2	2	2	2	2	2					
	Q012031000	TORNILLO EXAGON. M5x10 A304	HEXAGONAL BOLT. M5x10 A304	2	2	2	2	2	2					
	X022131000	BUJIA	SPARK PLUG	1	1	1	1	1	1					
S/Nº	U562130000	TERMOPAR L=850	THERMOCOUPLE L=850	1	1	1	1	1	1					
	U264301000	RACORD EMPALME TERMOPAR	THERMOC. JUNCTION RACORD	1	1	1	1	1						
17	X153004000	CODO 1-2 820NOV 906.260	ELBOW 1-2 820NOV 906.260	2	2	2	2	2	2					
18	S265025000	CONDUCC. QUEMADOR MG9-10 AD	PIPING TO BURNER MG9-10 AD	1	-	-	-	-	-					
18	S265029000	CONDUCC. QUEMADOR MG9-10 S AD	PIPING TO BURNER MG9-10 S AD	-	1	-	-	-	-					
18	S265004000	CONDUCC. QUEMADOR MG AD	PIPING TO BURNER MG AD	-	-	1	1	1	1					
	Q306024000	JUNTA 18X12.5X1.5	SEAL 18x12.5x1.5	3	3	3	3	3	3					
S/Nº	S205023000	MANGUITO DOBLE 1/2	DOUBLE SLEEVE 1/2	1	1	1	1	1	1					
19	S265026000	TUBO PILOTO MG9-10 AD	PILOT PIPE MG9-10 AD	1	-	-	-	-	-					
19	S265030000	TUBO PILOTO MG9-10 S AD	PILOT PIPE MG9-10 S AD	-	1	-	-	-	-					
19	S265016000	TUBO PILOTO MG9-15 AD	PILOT PIPE MG9-15 AD	-	-	1	1	-	-					
19	S265006000	TUBO PILOTO MG9-120 AD	PILOT PIPE MG9-20 AD	-	-	-	-	1	1					
	U134323000	RACORD BICONO Ø 6 958.031	BICONE CONNECTION Ø 6 958.0	2	2	2	2	2	2					
20	S265012000	TUBO ENCENDIDO COMPLETO	COMPLETE IGNITION PIPE	1	1	1	1	1	1					
S/Nº	X082831000	TAPA TUBO ENCENDIDO COMPLE	FULL COVER ON TUBE	1	1	1	1	1	1					
21	X163000000	ELECTROVAL. NOVA 50HZ 820.018	SOLENOID VALVE NOVA 50 HZ	1	1	1	1	1	1					
S/Nº	X163009000	JUNTA CON. NOVA 960.104	SEAL NOVA 820.018	1	1	1	1	1	1					



ESQUEMA TEÓRICO
 S - 263009
 S - 263011
 LEYENDA X463007

Plano montaje MG-910 BM AD			S263010000			
Zk./Nº	Pieza	Cant.	Material/Material	Klas. zk/Nº Clas.	Gainazal akabera/Tratamiento	
Zk./Nº	Aldaketa/Modificaciones		Nork proposatua/Propuesta de	Data/Fecha	Perdoi orokorrak Tolerancias generales	
					< 5 ± 0.2	50 ÷ 100 ± 0.8
					5 ÷ 25 ± 0.4	> 100 ± 1
					25 ÷ 50 ± 0.8	α ± 1
Sinadura/Firma			Data/Fecha		Gainazal perdoia Mecanizado superficial	
Marratzua/Dibujado			7-07-2010			
Proiektatua/Proyectado			7-07-2010			
Egiaztatua/Comprobado			7-07-2010			
Eskala/Escala			FAGOR		Plano Zk./Plano Nº	
			Fagor Industrial, Koop. Elk. Mugatua		HC- 82953	
			MARMITA BM		- Zk. ord. du	
			Plano hau ezin daiteke erabili, ez berzitzatu, gure baimenik gabe.		- Zk. gatik ord.	