

**Marmita a gas de baño maría
Gas indirect boiling pans
Marmites à gaz système bain-marie
Gas kochkessel indirekt beheizt
Pentole riscaldamento indiretto a gas
Marmita a gas de banho-maria**

GAMA 900

Modelos:

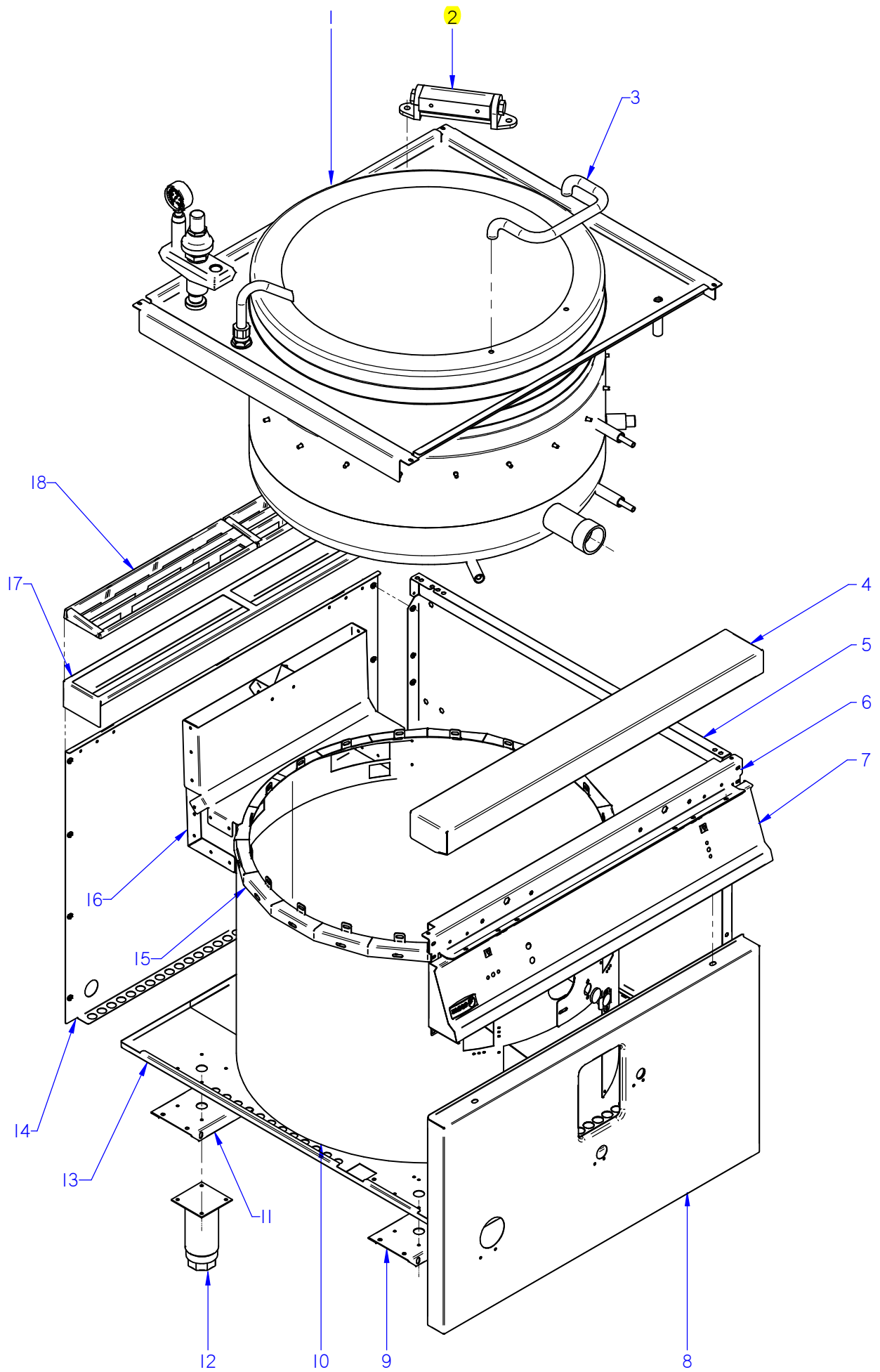
MG9-10 PLUS BM

MG9-15 PLUS BM


*Octubre 2011 October
Revisado Marzo 2014 March Revised*



F A G O R I N D U S T R I A L

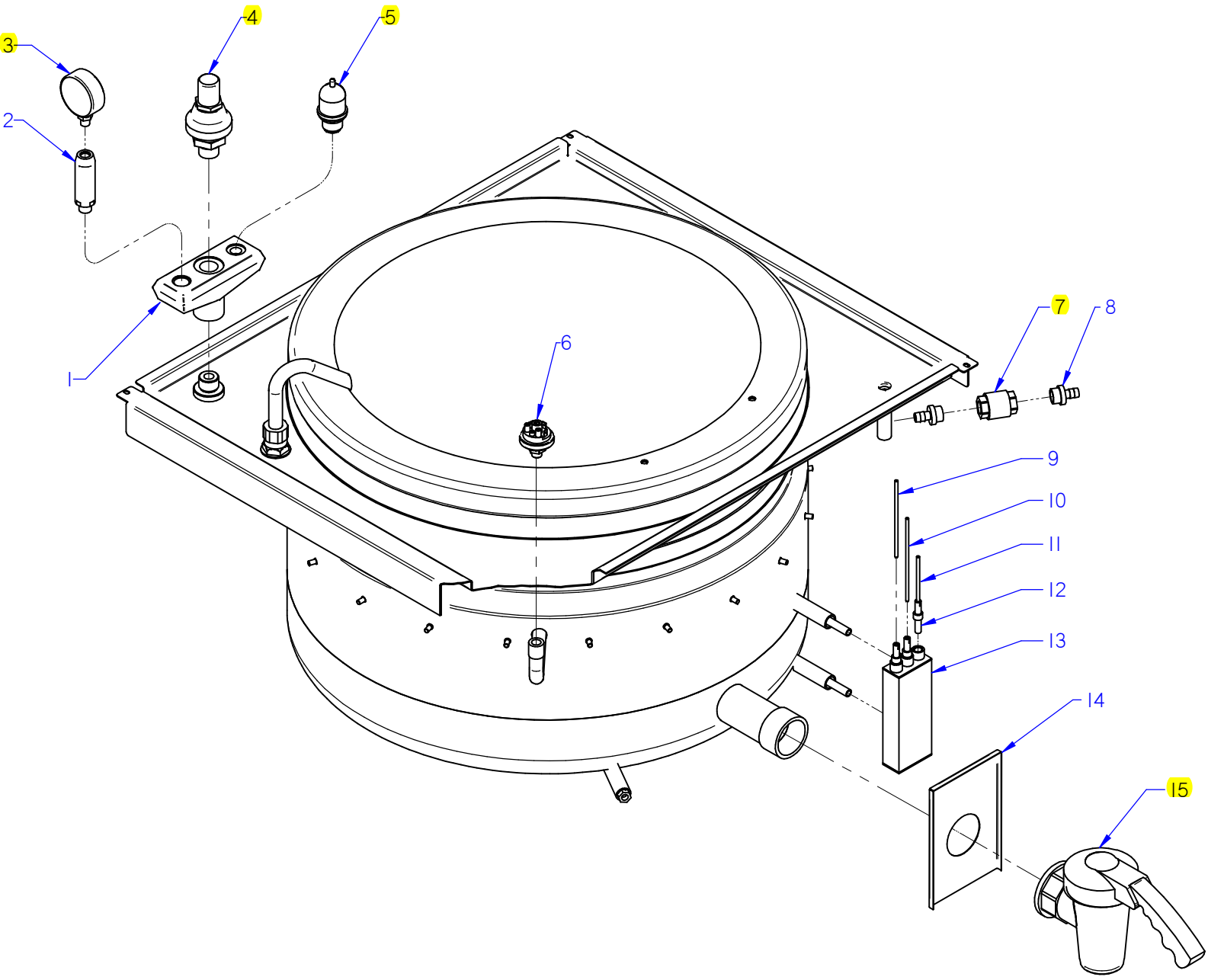


ITEM MARCADO EN COLOR = REPUESTO RECOMENDADO
 COLOURED ITEM = RECOMMENDED SPARE PART

Nº plano / N° plane	Firma	Fecha / Date	Denominación / Denomination: MUEBLE / FITTING	Lamina / Sheet
C-2909	<i>[Signature]</i>	2011-10	MARMITAS MG9-10 / 15 PLUS BM	1
				Fagor Industrial S.Coop. FAGOR 
				Onote

MOD.		MARMITAS / BOILING PANS	ZONA / ZONE	MUEBLE / FITTING				PLANO DIAGRAM		C-2909		
ITEM	CODIGO REFERENCE	DENOMINACION	DENOMINATION	MG9-10 PLUS BM	MG9-10 PLUS BMS	MG9-15 PLUS BM	MG9-15 PLUS BMS			ELIMINADO ELIMINATED	INTRODUCID. INTRODUCED	NOTAS
1	S266111000	CUBA+TAPA MG9-10 BM AD	TUB+COVER MG9-10 BM AD	1	1							
1	S266101000	CUBA+TAPA MG9-15 BM AD	TUB+COVER MG9-15 BM AD			1	1					
S/Nº	S266112000	CUBA COMPLETA MG9-10 BM AD	COMPLETE TUB MG9-10 BM AD	1	1							
S/Nº	S266102000	CUBA COMPLETA MG9-15 BM AD	COMPLETE TUB MG9-15 BM AD			1	1					
S/Nº	S266106000	TAPA COMPLETA	COMPLETE COVER	1	1	1	1					
S/Nº	S016101000	FILTRO DE CUBA	TUB FILTER	1	1	1	1					
	S036117000	SOPORTE FILTRO	FILTER SUPPORT	2	2	2	2					
	Q412000000	REMACHE TUBULAR 4x8	TUBULAR RIVET 4x8	8	8	8	8					
S/Nº	9294600000	MIRILLA CRISTAL	INSPECTION WINDOW	1	1	1	1					
S/Nº	S312617000	TAPA MIRILLA	INSPECTION WINDOW COVER	1	1	1	1					
	Q221342000	REMACHE EXAGONAL M5	HEXAGONAL RIVET M5	2	2	2	2					
	Q012031000	TORNILLO EXAGONAL M5x10 A304	HEXAGONAL BOLT M5x10 A304	2	2	2	2					
2	X026123000	BISAGRA ADVANCE	HINGE ADVANCE	1	1	1	1					
3	S266124000	ASA DE TAPA AD	COVER HANDLE AD	1	1	1	1					
	S262678000	CASQUILLO AMARRE TAPA	BUSHING COVER CAP	2	2	2	2					
	Q012021000	TORNILLO EXAGONAL M4X10	HEXAGONAL BOLT M4X10	2	2	2	2					
4	S105403000	ANTERIOR DE MESA 1M	BENCH FRONT 1M	1		1						
	Q152004000	TORNILLO APLAST. M5x13 A304	MUSHROOM HEAD BOLT M5x13	2		2						
	Q302022000	ARANDELA 16x6x1,2 A304	WASHER 16x6x1.2 A304	2		2						
5	12006884	PANEL LATERAL DERECHO G900	RIGHT SIDE PANEL G900	1		1						
5	12003768	PANEL LATERAL DERECH. G9-00S	RIGHT SIDE PANEL G9-00S		1							
5	12003773	PANEL LATERAL DERECH. G9-00S	RIGHT SIDE PANEL G9-00S				1					
S/Nº	12006883	PANEL LATERAL IZQUIERDO G900	LEFT SIDE PANEL G900	1		1						
S/Nº	12003767	PANEL LATERAL IZQUIERD. G900S	LEFT SIDE PANEL G900S		1							
S/Nº	12003772	PANEL LATERAL IZQUIERD. G915S	LEFT SIDE PANEL G915S				1					
	Q221343000	REMACHE EXAGONAL M6	HEXAGONAL RIVET M6	22		22						
	Q221342000	REMACHE EXAGONAL M5	HEXAGONAL RIVET M5	12	12	12	12					
6	S262607000	ESCUADRA INTERIOR MESA 1M	INTERIOR SQUARE TABLE 1M	1	1	1	1					
	Q221342000	REMACHE EXAGONAL M5	HEXAGONAL RIVET M5	7	7	7	7					
	Q012032000	TORNILLO EXAGONAL M5X15	HEXAGONAL BOLT M5x15	6	6	6	6					

MOD.		MARMITAS / BOILING PANS	ZONA / ZONE	MUEBLE / FITTING				PLANO DIAGRAM		C-2909		
ITEM	CODIGO REFERENCE	DENOMINACION	DENOMINATION	MG9-10 PLUS BM	MG9-10 PLUS BMS	MG9-15 PLUS BM	MG9-15 PLUS BMS			ELIMINADO ELIMINATED	INTRODUCID. INTRODUCED	NOTAS
7	S162807000	PORTAMANDOS MARMITA 1M	PAN CONTROL HOLDER 1M	1	1	1	1					
	Q152004000	TORNILLO APLAST. M5x13 A304	MUSHROOM HEAD BOLT M5x13	4	4	4	4					
	Q151336000	TORNILLO SOPORTE GUIAS	GUIDE SUPPORT BOLT	2	2	2	2					
	Q302022000	ARANDELA 16x6x1,2 A304	WASHER 16x6x1.2 A304	2	2	2	2					
	U022836000	ESCUDO FAGOR	FAGOR EMBLEM	1	1	1	1					
	Q221023000	CLIP SUJECIÓN RÁPIDA Ø 5	RAPID FASTENING CLIP Ø5	2	2	2	2					
8	S262805000	PANEL FRONTAL MG9-10 BM AD	FRONT PANEL MG9-10BM AD	1						02.07.12		
8	12045991	PANEL FRON. MG9-10BM AD+PERN	FRONT PANEL MG9-10BM +TIERC	1							02.07.12	
8	S262809000	PANEL FRONTAL MG9-10 BMS AD	FRONT PANEL MG9-10 BMS AD		1							
8	12046023	PANEL FR. MG9-10BMS AD+PERNC	FRONT PANEL MG9-10BMS+TIER		1							
8	S262803000	PANEL FRONTAL MG9-15 BM AD	FRONT PANEL MG9-15 BM AD			1	1			02.07.12		
8	12045998	PANEL FRON. MG9-15BM AD+PERN	FRONT PANEL MG9-15BM +TIERC			1	1				02.07.12	
	Q012042000	TORNILLO EXAGONAL M6x15	HEXAGONAL BOLT M6x15	2	2	2	2					
	Q302022000	ARANDELA 16x6x1,2 A304	WASHER 16x6x1.2 A304	2	2	2	2					
S/Nº	12044303	LAGRIMA	IGNITOR WINDON COVER	1	1	1	1				02.07.12	
S/Nº	12025252	MUELLE 07777	SPRING 07777	3	3	3	3				02.07.12	
9	12005781	LISTON SOPORTE PATAS ANT.1M	FRONT LEG SUPPORT STRIP 1M	1		1						
10	12007163	ENVOLVENTE MG9-10 BM AD	ENCLOSURE MG9-10 BM AD	1								
10	12007114	ENVOLVENTE MG9-10 BM S AD	ENCLOSURE MG9-10 BM S AD		1							
10	12007134	ENVOLVENTE MG9-15 BM AD	ENCLOSURE MG9-15 BM AD			1	1					
	Q151323000	TORNILLO BROCA 4,8X16	DRILL BIT SCREW 4.8X16	26	26	26	26					
11	12005782	LISTON SOPORTE PATAS POS.1M	REAR LEG SUPPORT STRIP 1M	1		1						
	Q012042000	TORNILLO EXAGONAL M6x15	HEXAGONAL BOLT M6x15	8		8						
	Q302022000	ARANDELA 16x6x1,2 A304	WASHER 16x6x1.2 A304	8		8						
	Q232040000	ARANDELA A6	WASHER A6	8		8						
12	X260151000	PATA REGULABLE	ADJUSTABLE LEG	4		4						
	Q411304000	REMACHE AVIBULB Ø4,8	AVIBULB RIVET Ø4.8	16		16						
13	S262601000	BASE INFERIOR AD	LOWER BASE AD	1		1						
13	S262642000	BASE INFERIOR S AD	LOWER BASE S AD		1							
13	S262615000	BASE INFERIOR MG9-15 S AD	LOWER BASE MG9-15 S AD				1					
13	12041945	BASE INFERIOR MG9-15 S AD	LOWER BASE MG9-15 S AD				1				01.02.12	

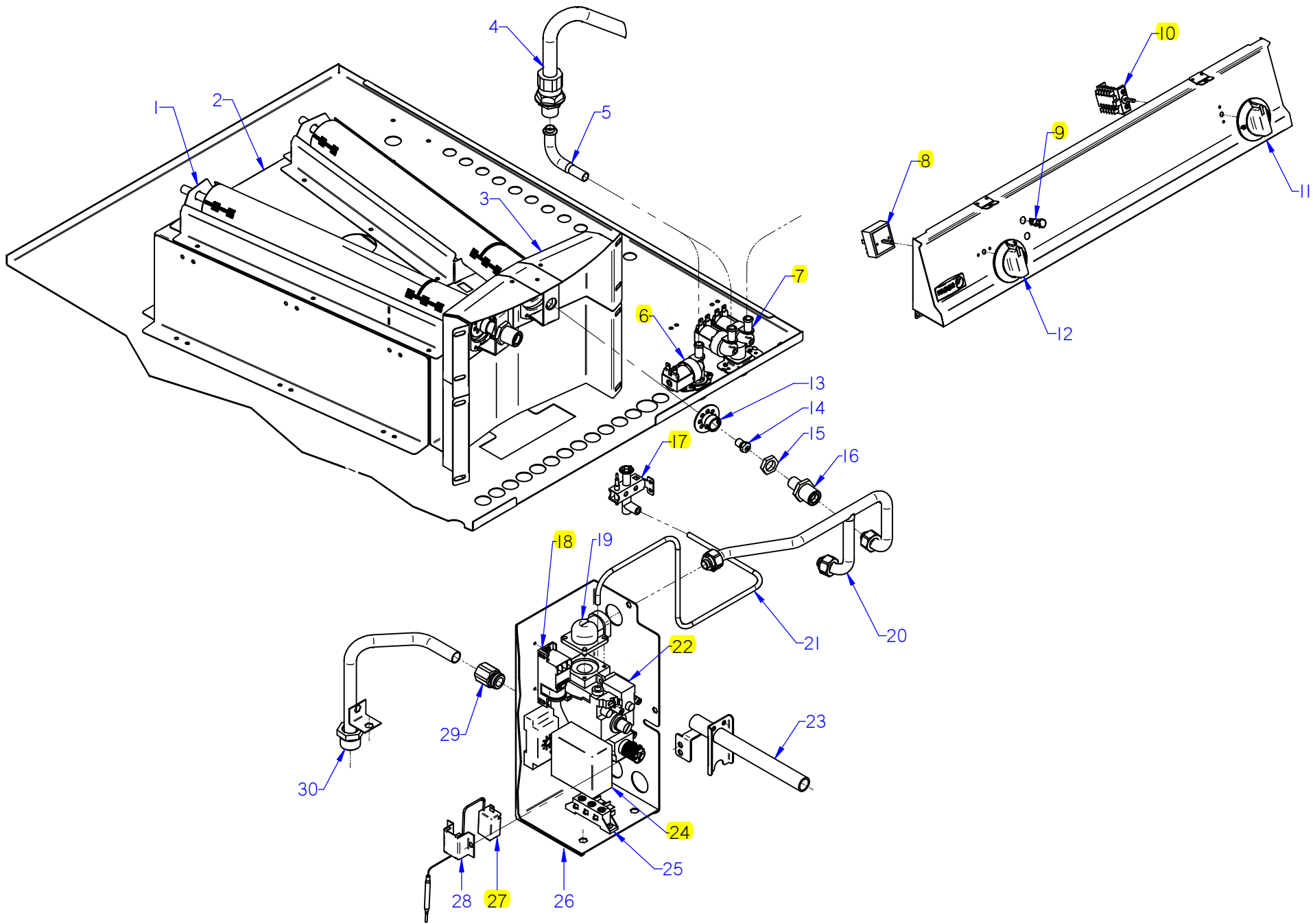


ITEM MARCADO EN COLOR = REPUESTO RECOMENDADO
 COLOURED ITEM = RECOMMENDED SPARE PART

Nº plano / N° plane C-2910	Firma <i>(Signature)</i>	Fecha / Date 2011-10	Denominación / Denomination: MARRMITAS MG9-10 / 15 PLUS BM VALVULAS / VALVES	Lamina / Sheet 2	Fogor Industrial S.coop. FAGOR Onde
--------------------------------------	-----------------------------	--------------------------------	---	----------------------------	---

Nº plano / N° plane	Firma	Fecha / Date	Denominación / Denomination:	PART E FUNCIONAL / FUNCTIONAL PART	Lamina / Steel	Fogor Industrial S.coop. FAGOR
C-2911	<i>(Firma)</i>	2011-10	MARMITAS MG9-10 / 15 PLUS BM		3	Onote

ITEM MARCADO EN COLOR = REPUESTO RECOMENDADO
 COLOURED ITEM = RECOMMENDED SPARE PART



MOD.		MARMITAS / BOILING PANS	ZONA / ZONE	PARTE FUNCIONAL / FUNCTIONAL PART							PLANO DIAGRAM	C-2911	
ITEM	CODIGO REFERENCE	DENOMINACION	DENOMINATION	MG9-10 PLUS BM	MG9-15 PLUS BM						ELIMINADO ELIMINATED	INTRODUCID. INTRODUCED	NOTAS
1	S225701000	QUEMADOR DE POLIDORO MG900	POLIDORO BURNER MG900	2	2						30.09.12		
1	12044878	QUEMADOR DE POLIDORO	POLIDORO BURNER	2	2							30.09.12	
S/Nº	12043764	PORTATOBERAS QUEMADOR MAP	BURNER NOZZLE HOLDER	2	2							30.09.12	
	Q012021000	TORNILLO EXAGONAL M4x10 A304	HEXAGONAL BOLT M4x10 A304	8	8								
2	12006004	BASE QUEMADOR MG9-10 BM AD	BURNER BASE MG-910 BM AD	1									
2	S262609000	BASE QUEMADOR MG9-10BM AD	BURNER BASE MG9-10BM AD		1								
S/Nº	S262611000	DEFLECTOR DCHO. QUEMADOR A	RIGHT DEFLECTOR BURNER AD	1	1								
S/Nº	S262612000	DEFLECTOR IZDO. QUEMADOR AD	LEFT DEFLECTOR BURNER AD	1	1								
3	S262637000	FRONTAL QUEMA. MG9-10 BM AD	BURNER FRONT MG9-10 BM AD	1							02.05.12		
3	12044775	FRONTAL QUEMADOR MG9-10BM	BURNER FRONT MG9-10BM	1								02.05.12	
3	S262617000	FRONTAL QUEMADOR MG9-20 AD	BURNER FRONT MG9-20 AD		1						02.05.12		
3	12043846	FRONTAL QUEMADOR MG9-20	BURNER FRONT MG9-20		1							02.05.12	
4	S052100000	TUBO LLENADO 01102113	FILLER PIPE 01102113	1	1								
5	S565027000	TUBO ENTRADA TUBO LLENADO	INTAKE PIPE FILLER PIPE	1	1								
	Q306024000	JUNTA18X12.5X1.5	SEAL 18X12.5X1.5	1	1								
	Q223010000	TUERCA 1/2 GAS	NUT 1/2 GAS	1	1								
S/Nº	3676900000	TUBO GOMA NEGRA Ø 17*10	BLACK RUBBER PIPE 17*10	3	3								
	Q881308000	ABRAZADERA 8-14L	CLAMP 8-14L	6	6								
S/Nº	Z201106000	RACORD EN Y	Y-CONNECTION	1	1								
6	Z701135000	ELECTROVALVULA SIMP. 220V	SIMPLE SOLENOID VALVE 220V	2	2								
7	P255001000	ELECTROVALVULA DOBLE	DOUBLE SOLENOID VALVE	1	1								
	Z601156000	REGULADOR 8L RO. 254.034	REGULATOR 8L RED 254.034	2	2						12.09.11		
	Z601156000	REGULADOR 8L RO. 254.034	REGULATOR 8L RED 254.034	1	1						11.11.13	12.09.11	
	12096626	REGULADOR 8 L (ROJO)	REGULATOR 8L RED	1	1							11.11.13	
	Q032021000	TORNILLO ALOMADO M4X10	CURVED SCREW M4X10	4	4								
8	S333001000	REGULADOR DE ENERGIA	ENERGY REGULATOR	1	1								
S/Nº	R052102000	JUNTA COMPONENT. ELECTRICOS	BOARD OF ELECTRICAL COMP.	1	1								
9	R693056000	PILOTO AMBAR 41227000A4	AMBER PILOT 41227000A4	1	1						01.02.13		
9	12024669	PILOTO AMBAR Ø18	AMBER PILOT Ø18	1	1							01.02.13	
S/Nº	R693055000	PILOTO VERDE 41227000C7	GREEN PILOT 41227000C7	1	1						01.02.13		
S/Nº	12047390	PILOTO VERDE 230V AC 8KW 16MN	GREEN PILOT 230V AC 8KW 16MN	1	1							01.02.13	

MOD.		MARMITAS / BOILING PANS	ZONA / ZONE	PARTE FUNCIONAL / FUNCTIONAL PART							PLANO DIAGRAM	C-2911	
ITEM	CODIGO REFERENCE	DENOMINACION	DENOMINATION	MG9-10 PLUS BM	MG9-15 PLUS BM						ELIMINADO ELIMINATED	INTRODUCID. INTRODUCED	NOTAS
10	R693004000	CONMUTADOR DE FUNCIONES	FUNCTIONS SWITCH	1	1								
S/Nº	R052102000	JUNTA COMPONENT. ELECTRICOS	BOARD OF ELECTRICAL COMP.	1	1								
11	S142107000	MANDO AGUA MARMITA BM	WATER PAN CONTROL BM	1	1								
12	S162102000	BOTON DE MANDO	CONTROL BUTTON	1	1								
13	X505013000	REGULADOR DE AIRE POLIDORO	POLIDORO AIR CONTROL	2	2								
14	9105100000	TOBERA Ø 1.50 BUT-PROPANO	NOZZLE Ø 1.50 BUT-PROPANE	2	—								
14	U134401000	TOBERA Ø 2,20 GAS NATURAL	NOZZLE Ø 2.20 GAS NATURAL	2	—								
14	N502401000	TOBERA Ø 1.70 BUT-PROPANO	NOZZLE Ø 1.70 BUT-PROPANE	—	2								
14	S222401000	TOBERA Ø 2,55 GAS NATURAL	NOZZLE Ø 2.55 GAS NATURAL	—	2								
15	Q223019000	TUERCA 3/8 GAS LATÓN	NUT 3/8 GAS BRASS	2	2								
16	X505724000	MANGUITO PORTATOBERAS	NOZZLE HOLDER SLEEVE	2	2								
17	U322118000	PILOTO COMPLETO BP 100.062	COMPL. PILOT BP 100.062	1	1								
	U442137000	INYECTOR Ø 0,4 (GAS NATURAL)	NOZZLE Ø 0.4 (GAS NATURAL)	1	1								
	Q221342000	REMACHE EXAGONAL M5	HEXAGONAL RIVET M5	2	2								
	Q012031000	TORNILLO EXAGON. M5x10 A304	HEXAGONAL BOLT. M5x10 A304	2	2								
	X022131000	BUJIA	SPARK PLUG	1	1								
S/Nº	U562130000	TERMOPAR L=850	THERMOCOUPLE L=850	1	1								
	U264301000	RACORD EMPALME TERMOPAR	THERMOC. JUNCTION RACORD	1	1								
18	X163014000	ENCENDEDOR PARA 2 BUJIAS	LIGHTER FOR 2 PLUGS	1	1								
19	X153004000	CODO 1-2 820NOV 906.260	ELBOW 1-2 820NOV 906,260	2	2								
20	S265019000	COND. QUEMADOR MG9-10 BM AD	PIPING BURNER MG9-10 BM AD	1	—								
20	S265004000	CONDUCC. QUEMADOR MG AD	PIPING TO BURNER MG AD	—	1								
	Q306024000	JUNTA 18X12.5X1.5	SEAL 18x12.5x1.5	3	3								
S/Nº	S205023000	MANGUITO DOBLE 1/2	DOUBLE SLEEVE 1/2	1	1								
21	S265020000	TUBO PILOTO MG9-10 BM AD	PILOT PIPE MG9-10 BM AD	1	—								
21	12044814	SUP. TUBO PILOTO MG9-10BM AD	PILOT PIPE TOP MG9-10BM AD	1	—							02.05.12	
21	12044811	INFER. PILOTO COMPL MG9-10	PILOT PIPE LOWER MG9-10	1	—							02.05.12	
21	S265006000	TUBO PILOTO MG9-120 AD	PILOT PIPE MG9-20 AD	—	1						02.05.12		
21	12044861	SUPERIOR TUBO PILOTO MG9-20	PILOT PIPE TOP-10 MG9-20 AD	—	1							02.05.12	
21	12044860	INFER. PILOTO COMPL MG9-20	PILOT PIPE LOWER MG9-20	—	1							02.05.12	
	U134323000	RACORD BICONO Ø 6 958.031	BICONE CONNECTION Ø 6 958.0	2	2								

Nº plano / N° plane
C-2911a

Firma
(Signature)

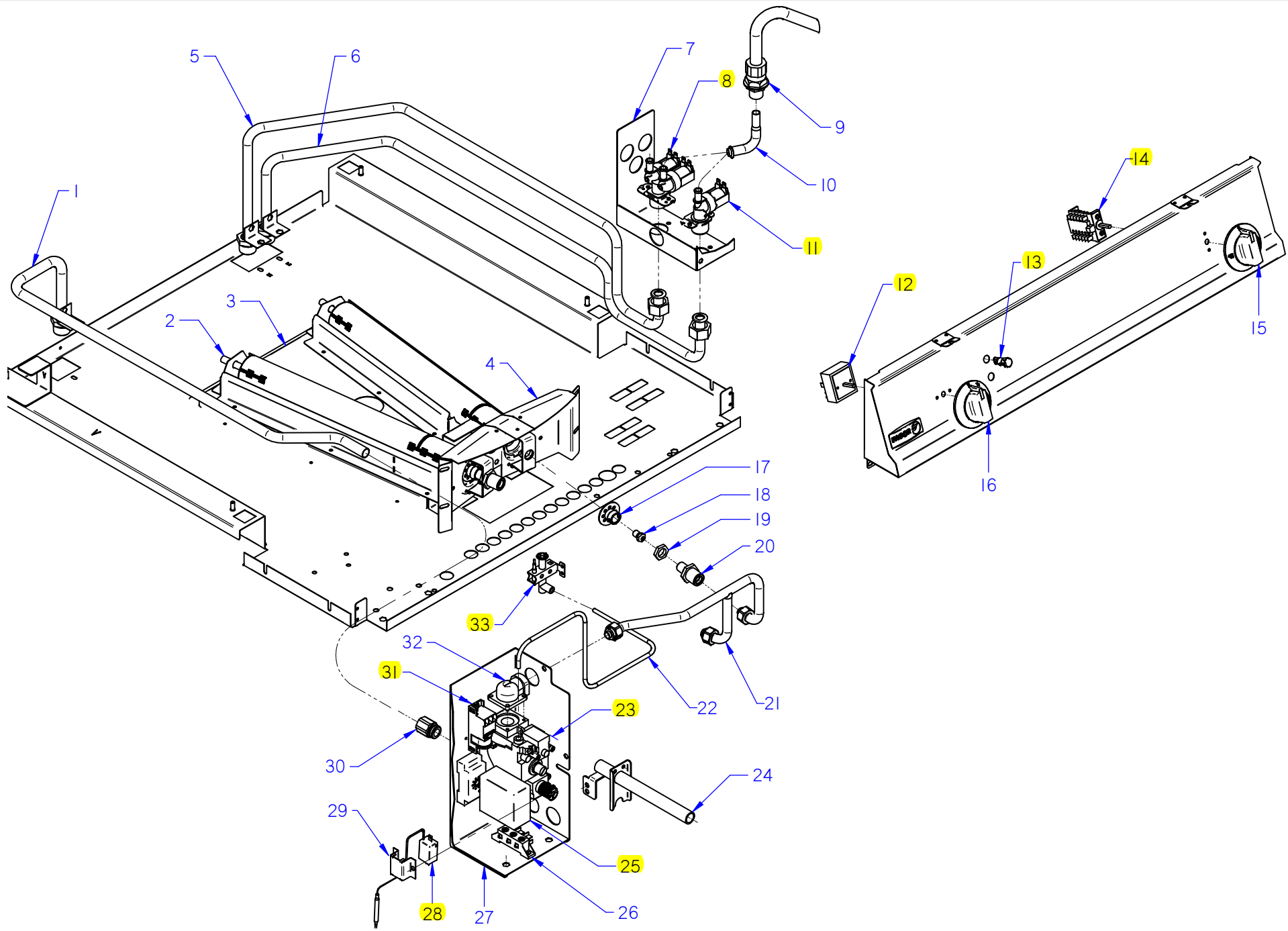
Fecha / Date
2011-10

Denominación / Denomination:
MARMITAS MG9-10 / 15 PLUS BM S

Lamina / Steel
3

Fogor Industrial S. Coop. **FAGOR**
Oñate

ITEM MARCADO EN COLOR = REPUESTO RECOMENDADO
COLOURED ITEM = RECOMMENDED SPARE PART



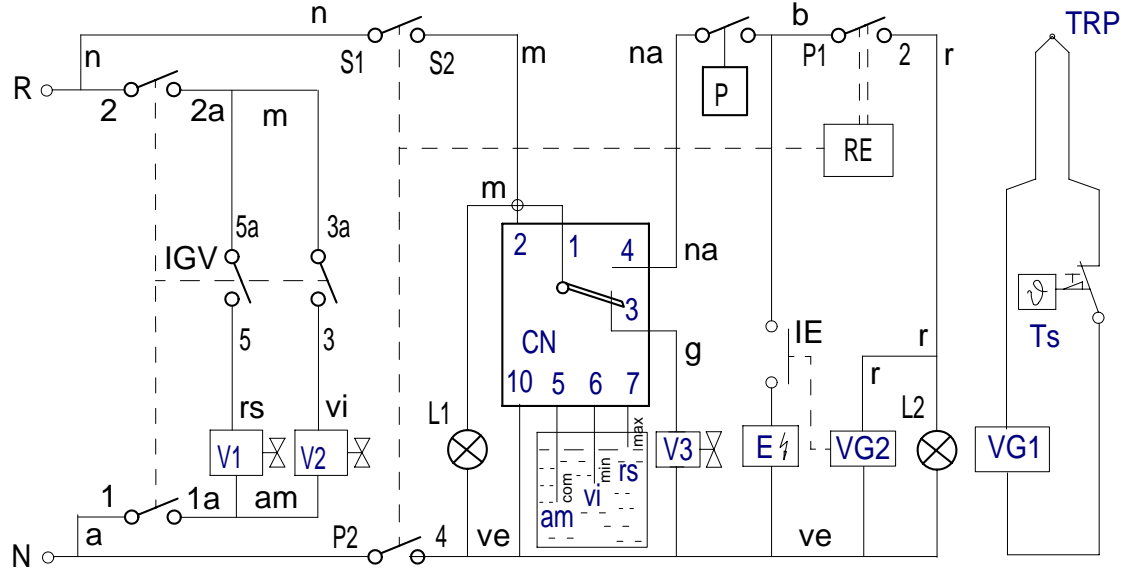
MOD.		MARMITAS / BOILING PANS	ZONA / ZONE	PARTE FUNCIONAL / FUNCTIONAL PART							PLANO DIAGRAM	C-2911a	
ITEM	CODIGO REFERENCE	DENOMINACION	DENOMINATION	MG9-10 PLUS BMS	MG9-15 PLUS BMS						ELIMINADO ELIMINATED	INTRODUCID. INTRODUCED	NOTAS
1	S265008000	COND. GRA. MARMITAS G900 SAD	GEN. PIPE PANS. G900 S AD	1	1						01.02.12		
1	12041948	COND. GRA. MARMITAS S AD	GEN. PIPE PANS. S AD	1	1							01.02.12	
S/Nº	12024115	MANGUERA ENTRADA AGUA	WATER INTAKE HOSE	2	2						22,12,11		
2	S225701000	QUEMADOR DE POLIDORO MG900	POLIDORO BURNER MG900	2	2						30,09,12		
2	12044878	QUEMADOR DE POLIDORO	POLIDORO BURNER	2	2							30,09,12	
S/Nº	12043764	PORTATOVERAS QUEMADOR MAR	BURNER NOZZLE HOLDER	2	2							30,09,12	
	Q012021000	TORNILLO EXAGONAL M4x10 A304	HEXAGONAL BOLT M4x10 A304	8	8								
3	12005832	BASE QUEMAD. MG9-10 BM S AD	BURNER BASE MG-910 BM S AD	1									
3	S262609000	BASE QUEMADOR MG9-10BM AD	BURNER BASE MG9-10BM AD		1								
	Q419005000	REMACHE 4x8 ALMG3 / ALUMINIO	RIVET 4X8 ALMG3 / ALUMINIUM	10	10								
S/Nº	S262611000	DEFLECTOR DCHO. QUEMADOR A	RIGHT DEFLECTOR BURNER AD	1	1								
S/Nº	S262612000	DEFLECTOR IZDO. QUEMADOR AD	LEFT DEFLECTOR BURNER AD	1	1								
4	S262637000	FRONTAL QUEMA. MG9-10 BM AD	BURNER FRONT MG9-10 BM AD	1							02.05.12		
4	12044775	FRONTAL QUEMADOR MG9-10BM	BURNER FRONT MG9-10BM	1								02.05.12	
4	S262617000	FRONTAL QUEMADOR MG9-20 AD	BURNER FRONT MG9-20 AD		1						02.05.12		
4	12043846	FRONTAL QUEMADOR MG9-20	BURNER FRONT MG9-20		1							02.05.12	
5	12041956	CONDUCCION AGUA FRIA AD	COLD WATER PIPE AD	1	1							01.02.12	
6	12041959	CONDUCCION AGUA CALIENTE	HOT WATER PIPE	1	1							01.02.12	
S/Nº	12010191	JUNTA TUBO 14X24X3	SEAL PIPE 14X24X3	2	2							02,04.12	
7	12041964	CAJA ELECTROVALVULAS AD	SOLENOID BOX AD	1	1							01.02.12	
8	P255001000	ELECTROVALVULA DOBLE	DOUBLE SOLENOID VALVE	1	1								
	Z601156000	REGULADOR 8L RO. 254.034	REGULATOR 8L RED 254.034	2	2						12.09.11		
	Z601156000	REGULADOR 8L RO. 254.034	REGULATOR 8L RED 254.034	1	1						11.11.13	12.09.11	
	12096626	REGULADOR 8 L (ROJO)	REGULATOR 8L RED	1	1							11.11.13	
9	S052100000	TUBO LLENADO 01102113	FILLER PIPE 01102113	1	1								
10	S565027000	TUBO ENTRADA TUBO LLENADO	INTAKE PIPE FILLER PIPE	1	1								
	Q306024000	JUNTA18X12.5X1.5	SEAL 18X12.5X1.5	1	1								
	Q223010000	TUERCA 1/2 GAS	NUT 1/2 GAS	1	1								
S/Nº	3676900000	TUBO GOMA NEGRA Ø 17*10	BLACK RUBBER PIPE 17*10	3	3								
	Q881308000	ABRAZADERA 8-14L	CLAMP 8-14L	6	6								
S/Nº	Z201106000	RACORD EN Y	Y-CONNECTION	1	1								

MOD.	MARMITAS / BOILING PANS	ZONA / ZONE	PARTE FUNCIONAL / FUNCTIONAL PART	PLANO DIAGRAM	C-2911a								
ITEM	CODIGO REFERENCE	DENOMINACION	DENOMINATION	MG9-10 PLUS BMS	MG9-15 PLUS BMS						ELIMINADO ELIMINATED	INTRODUCID. INTRODUCED	NOTAS
11	12025161	ELECTROVALVULA SIMP. 220V	SIMPLE SOLENOID VALVE 220V	1	2								
	Q032021000	TORNILLO ALOMADO M4X10	CURVED SCREW M4X10	1	2								
12	S333001000	REGULADOR DE ENERGIA	ENERGY REGULATOR	1	1								
S/Nº	R052102000	JUNTA COMPONENT. ELECTRICOS	BOARD OF ELECTRICAL COMP.	1	1								
13	R693056000	PILOTO AMBAR 41227000A4	AMBER PILOT 41227000A4	1	1						01.02.13		
13	12024669	PILOTO AMBAR Ø18	AMBER PILOT Ø18	1	1							01.02.13	
S/Nº	R693055000	PILOTO VERDE 41227000C7	GREEN PILOT 41227000C7	1	1						01.02.13		
S/Nº	12047390	PILOTO VERDE 230V AC 8KW 16MM	GREEN PILOT 230V AC 8KW 16MM	1	1							01.02.13	
14	R693004000	CONMUTADOR DE FUNCIONES	FUNCTIONS SWITCH	1	1								
S/Nº	R052102000	JUNTA COMPONENT. ELECTRICOS	BOARD OF ELECTRICAL COMP.	1	1								
15	12009002	MANDO AGUA MARMITA BM	WATER PAN CONTROL BM	1	1								
16	12009013	BOTON DE MANDO	CONTROL BUTTON	1	1								
17	X505013000	REGULADOR DE AIRE POLIDORO	POLIDORO AIR CONTROL	2	2								
	Q012021000	TORNILLO EXAGONAL M4x10 A304	HEXAGONAL BOLT M4x10 A304	2	2								
18	9105100000	TOBERA Ø 1.50 BUT-PROPANO	NOZZLE Ø 1.50 BUT-PROPANE	2	-								
18	U134401000	TOBERA Ø 2,20 GAS NATURAL	NOZZLE Ø 2.20 GAS NATURAL	2	-								
18	N502401000	TOBERA Ø 1.70 BUT-PROPANO	NOZZLE Ø 1.70 BUT-PROPANE	-	2								
18	S222401000	TOBERA Ø 2,55 GAS NATURAL	NOZZLE Ø 2.55 GAS NATURAL	-	2								
19	Q223019000	TUERCA 3/8 GAS LATÓN	NUT 3/8 GAS BRASS	2	2								
20	X505724000	MANGUITO PORTATOBERAS	NOZZLE HOLDER SLEEVE	2	2								
21	12010457	COND QUEM COMP MG9-10BM S AD	PIPING BURNER MG9-10BM S AD	1	-								
21	S265004000	CONDUCC. QUEMADOR MG AD	PIPING TO BURNER MG AD	-	1								
	Q306024000	JUNTA 18X12.5X1.5	SEAL 18x12.5x1.5	3	3								
S/Nº	S205023000	MANGUITO DOBLE 1/2	DOUBLE SLEEVE 1/2	1	1								
22	S265023000	TUBO PILOTO MG9-10 BM S AD	PILOT PIPE MG9-10 S AD	1	-						02.05.12		
22	12044815	SUP. TUBO PIL MG9-10BM S AD	PILOT PIPE TOP MG9-10BM S AD	1	-							02.05.12	
22	12044811	INFER. PILOTO COMPL MG9-10	PILOT PIPE LOWER MG9-10	1	-							02.05.12	
22	S265006000	TUBO PILOTO MG9-120 AD	PILOT PIPE MG9-20 AD	-	1						02.05.12		
22	12044861	SUPERIOR TUBO PILOTO MG9-20	PILOT PIPE TOP-10 MG9-20 AD	-	1							02.05.12	
22	12044860	INFER. PILOTO COMPL MG9-20	PILOT PIPE LOWER MG9-20	-	1							02.05.12	
	U134323000	RACORD BICONO Ø 6 958.031	BICONE CONNECTION Ø 6 958.0	2	2								

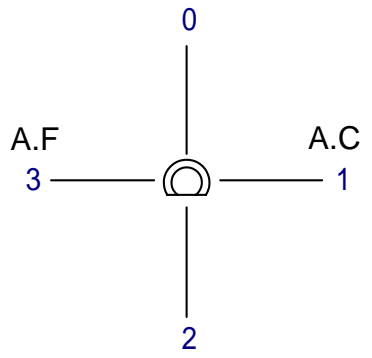
MOD.		MARMITAS / BOILING PANS	ZONA / ZONE	PARTE FUNCIONAL / FUNCTIONAL PART							PLANO DIAGRAM	C-2911a	
ITEM	CODIGO REFERENCE	DENOMINACION	DENOMINATION	MG9-10 PLUS BMS	MG9-15 PLUS BMS						ELIMINADO ELIMINATED	INTRODUCID. INTRODUCED	NOTAS
23	12097292	VALVULA NOVA 820 REGULADA	VALVE REGULATED NOVA 820	1	1								
23	12024777	ELECTROVALV. 820 NOVA 60 Hz.	SOLENOID VALVE. 820 NOVA 60	1	1								
S/Nº	X163009000	JUNTA CON. NOVA 960.104	SEAL NOVA 820.018	1	1						11.09.12		
24	S265012000	TUBO ENCENDIDO COMPLETO	COMPLETE IGNITION PIPE	1	1								
24	12043851	TUBO ENCENDIDO COMP. MG-900	COMPLETE IGNITION PIPE MG-900	1	1							02.05.12	
S/Nº	12043814	AMARRE PILOTO MARMITAS	TIE PILOT BOILING	1	1							02.05.12	
25	12024209	DETECTOR DE NIVELES	LEVEL DETECTOR	1	1								
S/Nº	R743009000	BASE ENCHUFABLE UNDECAL	UNDECAL BASE PLUG	1	1								
26	U183046000	REGLETA AUXILIAR	STRIP AUXILIARY	1	1								
	Q221342000	REMACHE EXAGONAL M5	HEXAGONAL RIVET M5	2	2								
	Q152004000	TORNILLO EXAGONAL M5X13 A304	HEXAGONAL BOLT M5X13 A304	2	2								
27	S262602000	CUADRO ELECTRIC MG AD	ELECTRIC TABLE MG AD	1	1								
28	X033001000	TERMOSTATO DE SEGURIDAD	SAFETY THERMOSTAT	1	1						01,10,12		
28	12044749	TERMOSTATO DE SEGURIDAD	SAFETY THERMOSTAT	1	1							01,10,12	
29	X353007000	SOPORTE TERMOSTATO SEG.	SAFETY THERMOSTAT SUPPORT	1	1								
	Q221341000	REMACHE EXAGONAL M4	HEXAGONAL RIVET M4	2	2								
	Q012021000	TORNILLO EXAGON. M4x10 A304	HEXAGONAL BOLT. M4x10 A304	2	2								
30	X012104000	MANGUITO DOBLE 1/2 958.027	DOUBLE SLEEVE 1/2 958.027	1	1								
	X012105000	BICONO Ø 16 957.008	BICONE Ø 16 957.008	1	1								
31	X163014000	ENCENDEDOR PARA 2 BUJIAS	LIGHTER FOR 2 PLUGS	1	1								
32	X153004000	CODO 1-2 820NOV 906.260	ELBOW 1-2 820NOV 906,260	2	2								
33	U322118000	PILOTO COMPLETO BP 100.062	COMPL. PILOT BP 100.062	1	1								
	U442137000	INYECTOR Ø 0,4 (GAS NATURAL)	NOZZLE Ø 0.4 (GAS NATURAL)	1	1								
	Q221342000	REMACHE EXAGONAL M5	HEXAGONAL RIVET M5	2	2								
	Q012031000	TORNILLO EXAGON. M5x10 A304	HEXAGONAL BOLT. M5x10 A304	2	2								
	X022131000	BUJIA	SPARK PLUG	1	1								
S/Nº	U562130000	TERMOPAR L=850	THERMOCOUPLE L=850	1	1								
	U264301000	RACORD EMPALME TERMOPAR	THERMOC. JUNCTION RACORD	1	1								

MOD.	MARMITAS / BOILING PANS		ZONA / ZONE	REPUESTOS RECOMENDADOS RECOMMENDED SPARE PART				PLANO DIAGRAM				
ITEM	CODIGO REFERENCE	DENOMINACION	DENOMINATION	MG9-10 PLUS BM	MG9-10 PLUS BMS	MG9-15 PLUS BM	MG9-15 PLUS BMS			ELIMINADO ELIMINATED	INTRODUCID. INTRODUCED	NOTAS
2	X026123000	BISAGRA ADVANCE	HINGE ADVANCE	1	1	1	1					C-2909
3	9220815000	MANOMETRO 36303601	MANOMETER 36303601	1	1	1	1					C-2910
4	S022101000	VALVULA SEGURIDAD 01508004	SAFETY VALVE 01508004	1	1	1	1					C-2910
5	S022103000	VALVULA PRESION 01509004	PRESSURE VALVE 01509004	1	1	1	1					C-2910
7	12044568	VALVULA ANTIRRETORNO 1/2"	NON-RETURN VALVE 1/2"	1	1	1	1				02,04,12	C-2910
15	S102125000	GRIFO VACIADO 2"	DRAINAGE TAP 2"	1	1	1	1					C-2910
6	Z701135000	ELECTROVALVULA SIMP. 220V	SIMPLE SOLENOID VALVE 220V	2		2						C-2911
7	P255001000	ELECTROVALVULA DOBLE	DOUBLE SOLENOID VALVE	1		1						C-2911
8	S333001000	REGULADOR DE ENERGIA	ENERGY REGULATOR	1		1						C-2911
9	12024669	PILOTO AMBAR Ø18	AMBER PILOT Ø18	1		1					01.02.13	C-2911
S/Nº	12047390	PILOTO VERDE 230V AC 8KW 16M	GREEN PILOT 230V AC 8KW 16M	1		1					01.02.13	C-2911
10	R693004000	CONMUTADOR DE FUNCIONES	FUNCTIONS SWITCH	1		1						C-2911
17	U322118000	PILOTO COMPLETO BP 100.062	COMPL. PILOT BP 100.062	1		1						C-2911
	U442137000	INYECTOR Ø 0,4 (GAS NATURAL)	NOZZLE Ø 0.4 (GAS NATURAL)	1		1						C-2911
	X022131000	BUJIA	SPARK PLUG	1		1						C-2911
S/Nº	U562130000	TERMOPAR L=850	THERMOCOUPLE L=850	1		1						C-2911
18	X163014000	ENCENDEDOR PARA 2 BUJIAS	LIGHTER FOR 2 PLUGS	1		1						C-2911
22	12097292	VALVULA NOVA 820 REGULADA	VALVE REGULATED NOVA 820	1		1						C-2911
22	12024777	ELECTROVALV. 820 NOVA 60 Hz.	SOLENOID VALVE. 820 NOVA 60	1		1						C-2911
24	R343072000	DETECTOR DE NIVELES	LEVEL DETECTOR	1		1						C-2911
27	12044749	TERMOSTATO DE SEGURIDAD	SAFETY THERMOSTAT	1		1					01,10,12	C-2911
8	P255001000	ELECTROVALVULA DOBLE	DOUBLE SOLENOID VALVE		1		1					C-2911a
11	12025161	ELECTROVALVULA SIMP. 220V	SIMPLE SOLENOID VALVE 220V		2		1					C-2911a
	Q032021000	TORNILLO ALOMADO M4X10	CURVED SCREW M4X10		2		1					C-2911a
12	S333001000	REGULADOR DE ENERGIA	ENERGY REGULATOR		1		1					C-2911a
13	12024669	PILOTO AMBAR Ø18	AMBER PILOT Ø18		1		1				01.02.13	C-2911a
S/Nº	12047390	PILOTO VERDE 230V AC 8KW 16M	GREEN PILOT 230V AC 8KW 16M		1		1				01.02.13	C-2911a
14	R693004000	CONMUTADOR DE FUNCIONES	FUNCTIONS SWITCH		1		1					C-2911a
23	12097292	VALVULA NOVA 820 REGULADA	VALVE REGULATED NOVA 820		1		1					C-2911a
23	12024777	ELECTROVALV. 820 NOVA 60 Hz.	SOLENOID VALVE. 820 NOVA 60		1		1					C-2911a
25	12024209	DETECTOR DE NIVELES	LEVEL DETECTOR		1		1					C-2911a

MG - 710BM MG - 910BM MG - 915BM



POSICION	% ±2%	P1 - 2		P2 - 4	S1 - S2
		TON	TON+TOF		
0	0	0	∞		
52°	6%	3"	45"	X	X
84°	10%	4"	38"	X	X
116°	15%	5"	32"	X	X
148°	25%	7"	29"	X	X
180°	30%	9"	30"	X	X
212°	40%	13"	32"	X	X
244°	55%	21"	37"	X	X
276°	75%	45"	60"	X	X
308°	100%	∞	∞	X	X

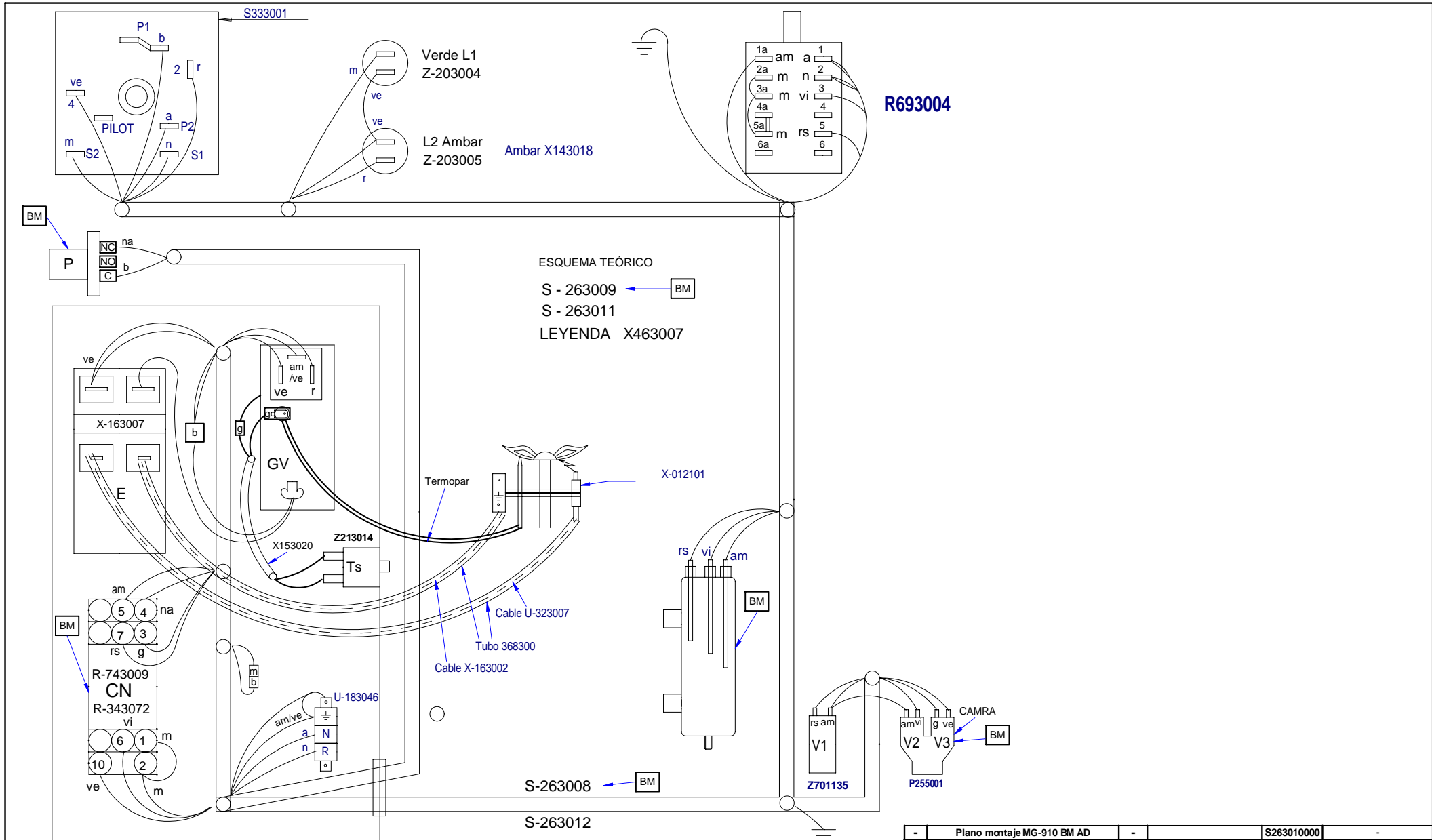


POSICION DIBUJADA 0

IGV	1 1a	2 2a	3 3a	4 4a	5 5a	6 6a
0						
1	X	X			X	X
2	X	X		X		X
3	X	X	X	X		

S263009000

Esquema teorico ME-710BM, ME-910BM		S263009000		
Nº	Pieza	Material	Nº Clasificacion	Acabado
Nº	Modificacion	Propuesta de	Fecha	Tolerancias generales
				< 5 ±
				5-25 ±
				25-50 ±
				50-100 ±
				> 100 ±
				∞ ±
Dibujado	M.Maillo	Fecha	FAGOR 	
Proyectado	M.Maillo	30-06-2010	Mecanizado superficial	
Comprobado		30-06-2010	Fagor Industrial, Koop, Elk, Mugatua	
Escala	MARMITA ELECTRICA			Plano numero
				HC - 82952
	Plano hau ez daiteke erabil ez berrizta gure baimeniz gabe			Sustituye al Nº
				Sustituido por



ESQUEMA TEÓRICO
 S - 263009
 S - 263011
 LEYENDA X463007

- Plano montaje MG-910 BM AD		- S263010000		-		
Zk./Nº	Pieza	Cant.	Material/Material	Klas. zk/Nº Clas.	Gainazal akabera/Tratamiento	
Zk./Nº	Aldaketa/Modificaciones		Nork proposatua/Propuesta de	Data/Fecha	Perdoi orokorrak Tolerancias generales	
					< 5 ± 0.2	50 ÷ 100 ± 0.8
					5 ÷ 25 ± 0.4	> 100 ± 1
					25 ÷ 50 ± 0.8	α ± 1
Sinadura/Firma			Data/Fecha		Gainazal perdoia Mecanizado superficial	
Marraztua/Dibujado		M.Maillio	7-07-2010			
Proiektatua/Proyectado		M.Maillio	7-07-2010			
Egiaztatua/Comprobado		ENERITZ	7-07-2010			
Eskala/Escala			Fagor Industrial, Koop. Elk. Mugatua		Plano Zk./Plano Nº	
MARMITA BM					HC- 82953	
Plano hau ezin daiteke erabili, ez berzitzatu, gure baimenik gabe.					- Zk. ord. du	
					- Zk. gatik ord.	