

eurfrigor[®] s.r.l.

**PRODUTTORI AUTOMATICI DI GHIACCIO
ICE MAKERS**

**LISTINO PARTI DI RICAMBIO
SPARE PARTS PRICE LIST**

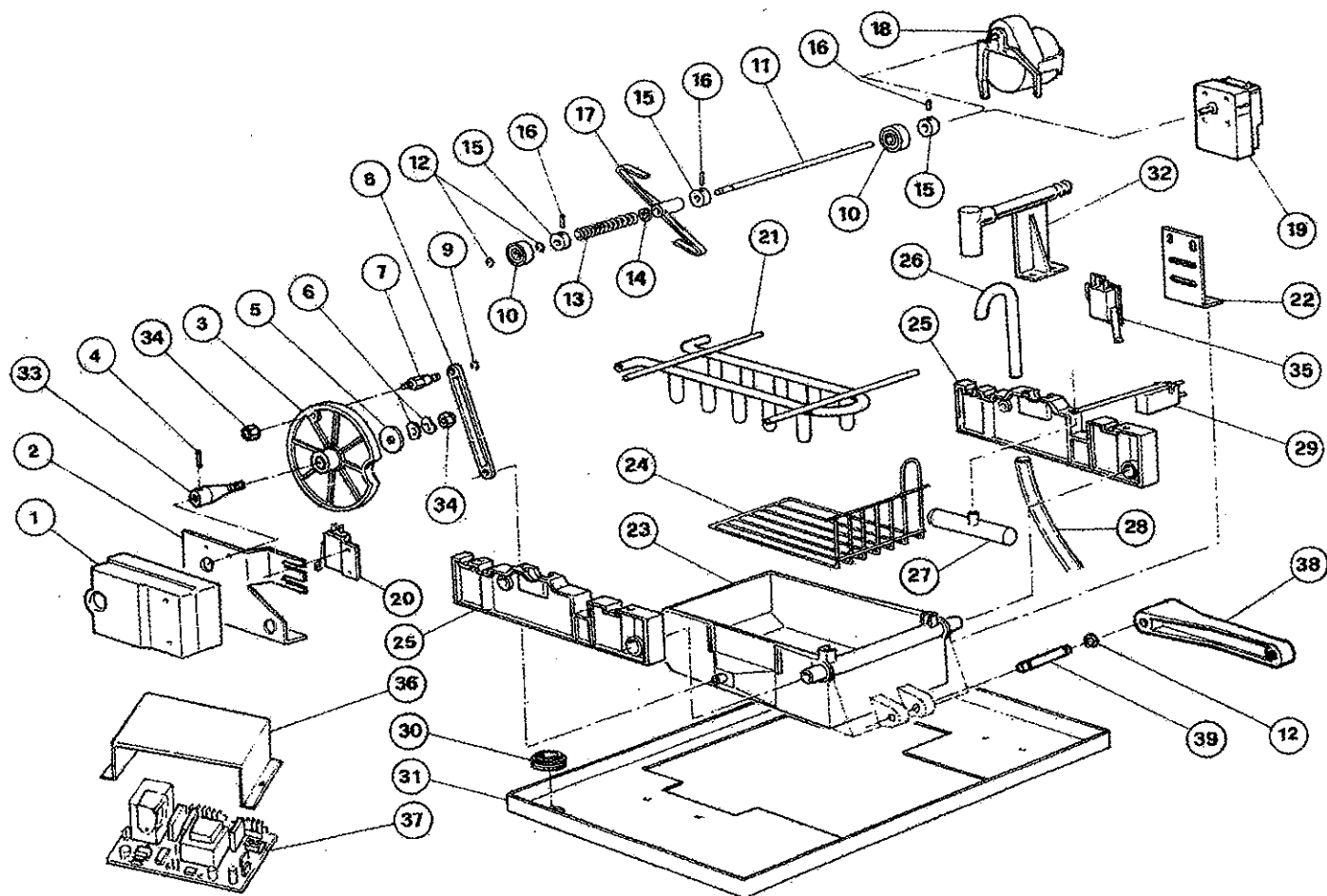
SERIE EC/ES

01/03/2005

BASE EVAPORATORE - BASE EVAPORATOR

CODICE - CODE

EC14 | EC20 | EC30 | EC40 | EC50 | EC60 | EC80 | EC130 | ECF30 | ECF40 | ECF60



BASE EVAPORATORE - BASE EVAPORATOR

| N° | CODICE - CODE | | | | | | | | | | | A-W | DESCRIZIONE DESCRIPTION | |
|----|---------------|----------|----------|----------|----------|----------|----------|----------|----------|----------|----------|----------|----------------------------|---|
| | EC14 | EC20 | EC30 | EC40 | EC50 | EC60 | EC80 | EC130 | ECF30 | ECF40 | ECF60 | | | |
| 1 | RG00A684 | RG00A684 | RG00A684 | RG00A684 | RG00A684 | RG00A684 | RG00A684 | RG00A684 | RG00A684 | RG00A684 | RG00A684 | RG00A684 | A-W | MOTORIDUTTORE 123MR GEAR |
| 2 | RM003675 | | | | | | | | | | | | A-W | PIASTRA SUPPORTO MOTORIDUTTORE GEARMOTOR SUPPORT |
| | | RM00A113 | RM00A113 | RM00A113 | RM00A113 | RM00A113 | RM00A113 | RM00A113 | RM00A113 | RM00A113 | RM00A113 | RM00A113 | | |
| 3 | RH003620 | RH003620 | RH003620 | RH003620 | RH003620 | RH003620 | RH003620 | RH003620 | RH003620 | RH003620 | RH003620 | RH003620 | A-W | CAMME SENZA INSERTI CAMS |
| 4 | RR003645 | RR003645 | RR003645 | RR003645 | RR003645 | RR003645 | RR003645 | RR003645 | RR003645 | RR003645 | RR003645 | RR003645 | A-W | SPINA ELASTICA INOX 3x16 LOOK PIN 3x16 |
| 5 | RR002079 | RR002079 | RR002079 | RR002079 | RR002079 | RR002079 | RR002079 | RR002079 | RR002079 | RR002079 | RR002079 | RR002079 | A-W | RONDELLA ZINCATA PIANA 6x24x2 WASHER |
| 6 | RR003635 | RR003635 | RR003635 | RR003635 | RR003635 | | | | | RR003635 | RR003635 | | A-W | MOLLA TAZZA SPRING |
| | | | | | | RR002126 | RR002126 | RR002126 | | | | RR002126 | | |
| 7 | RQ003626 | RQ003626 | RQ003626 | RQ003626 | RQ003626 | RQ003626 | RQ003626 | RQ003626 | RQ003626 | RQ003626 | RQ003626 | RQ003626 | A-W | SPINOTTO BIELLA PIN FOR ROD |
| 8 | RH003618 | | | | | | | | | | | | A-W | BIELLA PER TESTATA ROD |
| 9 | RR003631 | RR003631 | RR003631 | RR003631 | RR003631 | RR003631 | RR003631 | RR003631 | RR003631 | RR003631 | RR003631 | RR003631 | A-W | BENZING D8 BENZING RING D6 |
| 10 | RV003647 | RV003647 | RV003647 | RV003647 | RV003647 | RV003647 | RV003647 | RV003647 | RV003647 | RV003647 | RV003647 | RV003647 | A-W | CUSCINETTO 628 2RS BEARING 628 2RS |
| 11 | RQ003625 | | | | | | | | | | | | A-W | ALBERO PALETTE INOX, PADDEL SHAFT |
| | | RQ00A029 | RQ00A029 | | | | | | | RQ00A029 | | | | |
| | | | | RQ00A030 | RQ00A030 | | | | | | RQ00A030 | | | |
| | | | | | | RQ00A062 | | | | | | RQ00A062 | | |
| | | | | | | | RQ00A075 | | | | | | | |
| | | | | | | | RQ00A063 | | | | | | | |
| 12 | RR003644 | RR003644 | RR003644 | RR003644 | RR003644 | RR003644 | RR003644 | RR003644 | RR003644 | RR003644 | RR003644 | RR003644 | A-W | BENZING PER D4 PER ALBERO PALETTE BENZING RING D4 FOR PADDLE SHAFT |
| 13 | RR003629 | RR003629 | RR003629 | RR003629 | RR003629 | RR003629 | RR003629 | RR003629 | RR003629 | RR003629 | RR003629 | RR003629 | A-W | MOLLA PER ALBERO PALETTE PADDLE SHAFT SPRING |
| 14 | RH001168 | RH001168 | RH001168 | RH001168 | RH001168 | RH001168 | RH001168 | RH001168 | RH001168 | RH001168 | RH001168 | RH001168 | A-W | DISTANSIALE ABS5044 ABS BUSH |
| 15 | RQ001152 | RQ001152 | RQ001152 | RQ001152 | RQ001152 | RQ001152 | RQ001152 | RQ001152 | RQ001152 | RQ001152 | RQ001152 | RQ001152 | A-W | BUSSOLA OTTONE FERMO ALBERO PALETTE BUSH |
| 16 | RR003646 | RR003646 | RR003646 | RR003646 | RR003646 | RR003646 | RR003646 | RR003646 | RR003646 | RR003646 | RR003646 | RR003646 | A-W | GRANO INOX 4x6 A PUNTA INOX DOWELL 4x6 |
| 17 | RH000675 | RH000675 | RH000675 | RH000675 | RH000675 | RH000675 | RH000675 | RH000675 | RH000675 | RH000675 | RH000675 | RH000675 | A-W | AGITATORE TIPO STRETTO NYLON PADDLER |
| 18 | RG00B534 | | | | | | | | | | | | A-W | MOTORIDUTTORE A PALETTE PADDLE GEAR MOTOR |
| 19 | | RG000636 | RG000636 | RG000636 | RG000636 | RG000636 | RG000636 | RG000636 | RG000636 | RG000636 | RG000636 | RG000636 | A-W | MOTORIDUTTORE PALETTE 50 RPM, PADDLE GEAR MOTOR 50 RPM MICRO |
| 20 | RH003800 | RH003800 | RH003800 | RH003800 | RH003800 | RH003800 | RH003800 | RH003800 | RH003800 | RH003800 | RH003800 | RH003800 | A-W | IMPULSI-STAFFA COMPLETO, COMPLETE MICRO SWITCH |
| 21 | RC00A400 | | | | | | | | | | | | A-W | EVAPORATORE EVAPORATOR |
| | | RC00A402 | RC00A402 | | | | | | | | RC00A402 | | | |
| | | | | RC00A403 | RC00A403 | | | | | | | RC00A403 | | |
| | | | | | | RC00A404 | | | | | | RC00A404 | | |
| | | | | | | | RC00A405 | | | | | | | |
| | | | | | | | RC00A406 | | | | | | | |
| 22 | RH001070 | RH001070 | RH001070 | RH001070 | RH001070 | RH001070 | RH001070 | RH001070 | RH001070 | RH001070 | RH001070 | RH001070 | A-W | STAFFA ABS SUPPORTO MICRO GALLEGGIANTE PLASTIC SUPPORT |
| 23 | RM003621 | | | | | | | | | | | | A-W | BACINELLA ACQUA TILTING |
| | | RH00A005 | RH00A005 | | | | | | | | | RH00A005 | | |
| | | | | RH00A006 | RH00A006 | | | | | | | RH00A006 | | |
| | | | | | | RM00A050 | | | | | | RM00A050 | | |
| | | | | | | | RM00A079 | | | | | | | |
| | | | | | | | RM00A047 | | | | | | | |

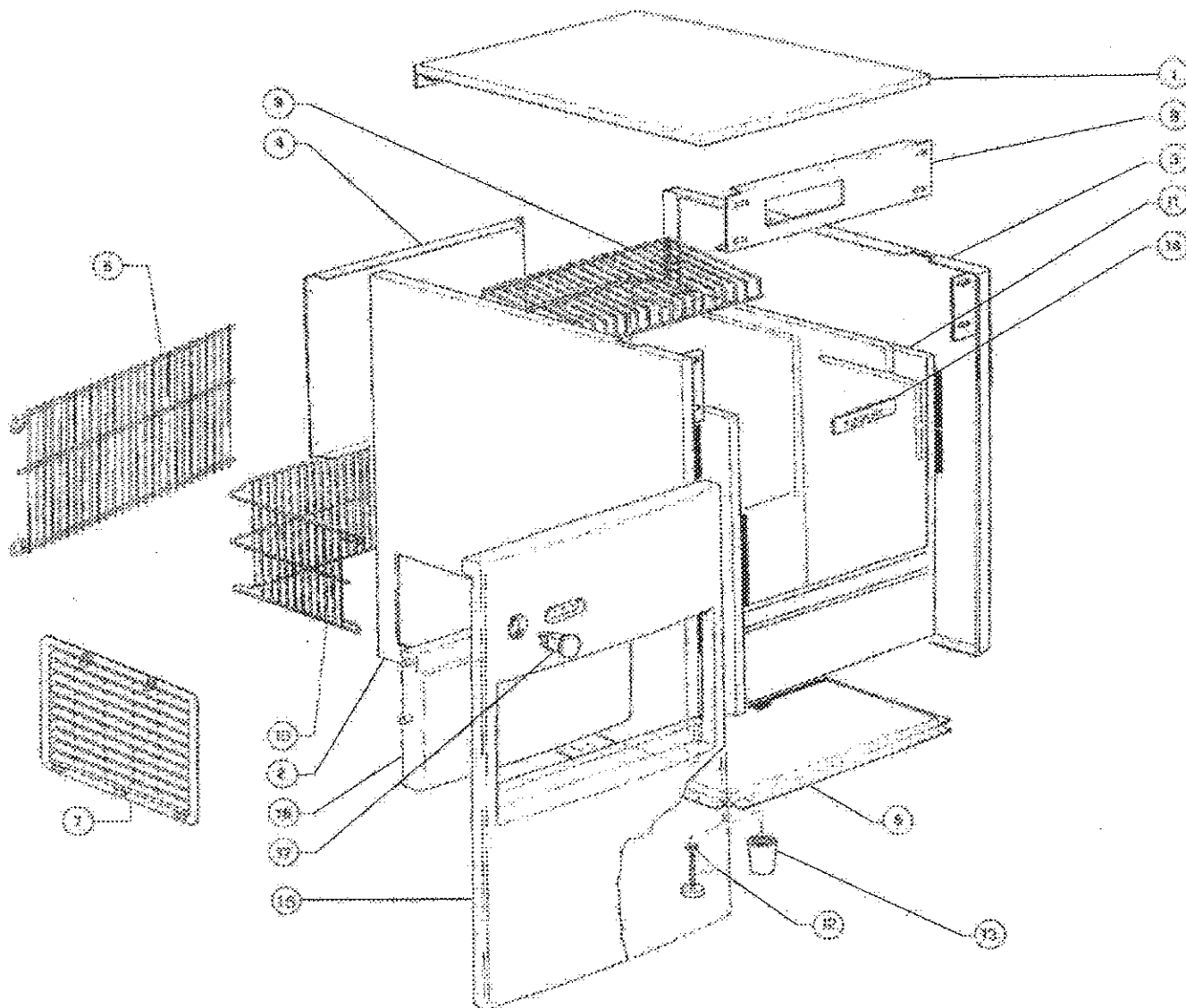
BASE EVAPORATORE - BASE EVAPORATOR

| N° | CODICE - CODE | | | | | | | | | | | A-W | DESCRIZIONE DESCRIPTION | |
|----|---------------|----------|----------|----------|----------|----------|----------|----------|----------|----------|----------|----------|----------------------------|--|
| | EC14 | EC20 | EC30 | EC40 | EC50 | EC60 | EC80 | EC130 | ECF30 | ECF40 | ECF60 | | | |
| 24 | RN003613 | | | | | | | | | | | | A-W | CONTROBACINELLA GRILL FOR TILTING |
| | | RN00A017 | RN00A017 | | | | | | | RN00A017 | | | | |
| | | | | RN00A018 | RN00A018 | | | | | | RN00A018 | | | |
| | | | | | | RN00A410 | | | | | | RN00A410 | | |
| | | | | | | | RN00A411 | | | | | | | |
| 25 | RH003616 | RH003616 | RH003616 | RH003616 | RH003616 | RH003616 | RH003616 | RH003616 | RH003616 | RH003616 | RH003616 | RH003616 | A-W | SPALLETTA IN PLASTICA PER |
| 26 | RH003615 | | | | | | | | | | | | A-W | GOMITO CARICO ACQUA ELBOW FOR WATER LOADING |
| 27 | RH000679 | RH000679 | RH000679 | RH000679 | RH000679 | RH000679 | RH000679 | RH000679 | RH000679 | RH000679 | RH000679 | RH000679 | A-W | GALLEGGIANTE SINGOLO FLOAT BALL |
| 28 | RH001198 | | | | | | | | | | | | A-W | TUBO ENTRATA ACQUA CONDENSATORE BACINELLA WATER INLET TUBE |
| | | RH001195 | | | | | | | | | | | | |
| | | | RH001197 | RH001197 | | | | | | | RH001197 | | | |
| | | | | | RH001200 | RH001200 | | | | | | RH001200 | | |
| 29 | RH00A310 | RH00A310 | RH00A310 | RH00A310 | RH00A310 | RH00A310 | RH00A310 | RH00A310 | RH00A310 | RH00A310 | RH00A310 | RH00A310 | A-W | MICROGALLEGGIANTE COMPLETO, COMPLETE FLOAT BALL MICRO SWITCH |
| 30 | RI00B144 | | | | | | | | | | | | A-W | PASSACAVO FAIR LEAD |
| 31 | RM003605 | | | | | | | | | | | | A-W | RIPIANO FISSAGGIO EVAPORATORE, SUPPORT FOR EVAPORATOR |
| | | RM00B538 | RM00B538 | | | | | | | | | RM00B538 | | |
| | | | | RM00B717 | | | | | | | | RM00B717 | | |
| | | | | | RM00A095 | | | | | | | | | |
| | | | | | | RM00A012 | | | | | | RM00A012 | | |
| | | | | | | | RM00B325 | | | | | | | |
| 32 | | RH001080 | RH001080 | RH001080 | RH001080 | RH001080 | RH001080 | | | RH001080 | RH001080 | RH001080 | A-W | CARICO ACQUA BACINELLA ABS WATER INLET TUBE FOR TILTING |
| | | | | | | | | RH001081 | | | | | | |
| 33 | RQ003619 | RQ003619 | RQ003619 | RQ003619 | RQ003619 | RQ003619 | RQ003619 | RQ003619 | RQ003619 | RQ003619 | RQ003619 | RQ003619 | A-W | ALBERO FRIZIONE CAMME, SHAFT FOR CAMS |
| 34 | RR002110 | RR002110 | RR002110 | RR002110 | RR002110 | RR002110 | RR002110 | RR002110 | RR002110 | RR002110 | RR002110 | RR002110 | A-W | DADO ZINCATO M6 AUTOBLOCCANTE, NUT MICRO |
| 35 | RH003800 | RH003800 | RH003800 | RH003800 | RH003800 | RH003800 | RH003800 | RH003800 | RH003800 | RH003800 | RH003800 | RH003800 | A-W | IMPULSI+STAFFA COMPLETO COMPLETE MICRO SWITCH |
| 36 | | RH00B559 | RH00B559 | RH00B559 | RH00B559 | RH00B559 | RH00B559 | RH00B559 | RH00B559 | RH00B559 | RH00B559 | RH00B559 | A-W | SCATOLA PROTEZIONE SCHEDA ELETTRICA, SAFETY BOX FOR LED BOARD |
| 37 | | RI00A115 | RI00A115 | RI00A115 | RI00A115 | RI00A115 | RI00A115 | RI00A115 | RI00A115 | RI00A115 | RI00A115 | RI00A115 | A-W | SCHEDA ELETTRONICA E5, LED BOARD E5 |
| 38 | | RH00A008 | RH00A008 | RH00A008 | RH00A008 | RH00A008 | RH00A008 | | | RH00A008 | RH00A008 | RH00A008 | A-W | BIELLA PER TESTATA, ROD |
| | | | | | | | | RM00B930 | | | | | | |
| 39 | | RQ00A064 | RQ00A064 | RQ00A064 | RQ00A064 | RQ00A064 | RQ00A065 | RQ00A065 | RQ00A064 | RQ00A064 | RQ00A064 | RQ00A064 | A-W | ALBERO PER BACINELLA, SHAFT FOR TILTING |

CARROZZERIA PRODUTTORI GHIACCIO CUBETTI, CABINET FOR ICECUBER

CODICE MODELLI- MODEL CODE

| | | | | | |
|------|------|------|------|------|------|
| EC20 | EC30 | EC40 | EC50 | EC60 | EC80 |
|------|------|------|------|------|------|



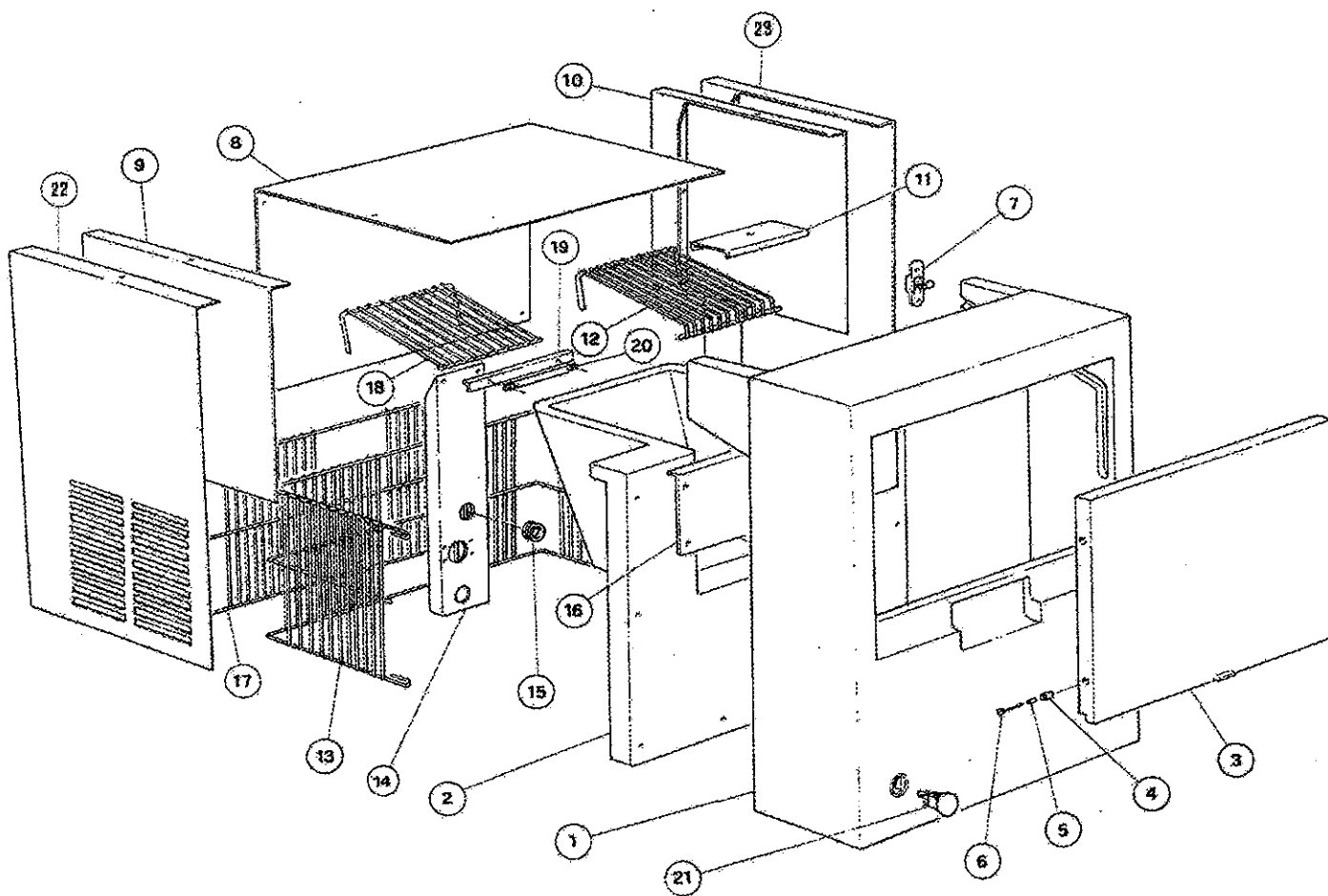
CARROZZERIA PRODUTTORI GHIACCIO CUBETTI, CABINET FOR ICECUBER

| N° | CODICE - CODE | | | | | | A-W | DESCRIZIONE DESCRIPTION |
|----|---------------|----------|----------|----------|----------|----------|-----|--|
| | EC20 | EC30 | EC40 | EC50 | EC60 | EC80 | | |
| 1 | RM003168 | | | | | | A-W | COPERCHIO SKIN GRIGIO, UPPER PANEL |
| | | RM003169 | RM003169 | | | | | |
| | | | | RM003170 | RM003170 | | | |
| | | | | | | RM003171 | | |
| 2 | RMI0B594 | | | | | | A-W | FIANCO SINISTRO SKIN GRIGIO, LEFT LATERAL PANEL |
| | | RMI0B709 | RMI0B709 | | | | | |
| | | | | RMI0B727 | RMI0B727 | | | |
| | | | | | | RMI0B728 | | |
| 3 | RMI0B593 | | | | | | A-W | FIANCO DESTRO SKIN GRIGIO, RIGHT LATERAL PANEL |
| | | RMI0B710 | RMI0B710 | | | | | |
| | | | | RMI0B725 | RMI0B725 | | | |
| | | | | | | RMI0B726 | | |
| 4 | RML03160 | | | | | | A-W | SCHIENALE ZINCATO, POSTERIOR PANEL |
| | | RML03161 | RML03161 | | | | | |
| | | | | RML03162 | RML03162 | | | |
| | | | | | | RML03163 | | |
| 5 | RM003176 | | | | | | A-W | BASAMENTO U.C., BASE |
| | | RM003177 | RM003177 | | | | | |
| | | | | RM003178 | RM003178 | | | |
| | | | | | | RM003179 | | |
| 6 | RN00B416 | | | | | | A-W | GRIGLIA POSTERIORE, BACK GRILL |
| | | RN00B417 | RN00B417 | | | | | |
| | | | | RN00B418 | RN00B418 | | | |
| | | | | | | RN00B419 | | |
| 7 | RN00B333 | RN00B333 | RN00B333 | RN00B333 | RN00B333 | RN00B333 | | GRIGLIA BLU PER FIANCO, BLU GRILL FOR LATERAL |
| 8 | RM00A087 | | RM00A087 | | | | A-W | RINFORZO FRONTALE FRONTAL REINFORCEMENT |
| | | RM00A088 | | | | | | |
| | | | | RM00A089 | RM00A089 | | | |
| | | | | | | RM00A092 | | |
| 9 | RN000931 | | | | | | A-W | GRIGLIA CONVOGLIATRICE, GRILL FOR BIN |
| | | RN000932 | RN000932 | | | | | |
| | | | | RN000928 | RN000928 | | | |
| | | | | | | RN000933 | | |
| 10 | RN001116 | | | | | | A-W | GRIGLIA POSTERIORE, BACK GRILL |
| | | RN001117 | RN001117 | | | | | |
| | | | | RN001118 | RN001118 | | | |
| | | | | | | RN001119 | | |
| 11 | RP00B656 | | | | | | A-W | DEPOSITO GHIACCIO, DEPOSIT |
| | | RP00B720 | RP00B720 | | | | | |
| | | | | RP003186 | RP003186 | | | |
| | | | | | | RP003187 | | |
| 12 | RH000685 | RH000685 | RH000685 | | | | A-W | PIEDE IN PLASTICA NERA D.30, FOOT |
| | | | | RH00A799 | RH00A799 | | | |
| 13 | | | | | | RH000684 | A-W | PIEDE IN PLASTICA, FOOT |
| 14 | | RI00A031 | RI00A031 | RI00A031 | RI00A031 | RI00A031 | A-W | SCHEDA ELETTRONICA LED, LED BOARD |
| 15 | RP00A561 | | | | | | A-W | FRONTALE CURVO GRIGIO TEXT, METAL, FRONT PANEL |
| | | RP00A562 | RP00A562 | | | | | |
| | | | | RP00A563 | RP00A563 | | | |
| | | | | | | RP00A564 | | |
| 16 | RP00A703 | RP00A703 | RP00A703 | | | | A-W | PORTA CURVA SERIGRAFATA EURFRIGOR, DOOR EURFRIGOR |
| | | | | RP00A671 | RP00A671 | | | |
| | | | | | | RP00A672 | | |
| 17 | RI000751 | RI000751 | RI000751 | RI000751 | RI000751 | RI000751 | A-W | INTERRUTTORE LUMINOSO, SWITCH |

CARROZZERIA PRODUTTORI GHIACCIO EC14, CABINET FOR ICECUBER EC14

CODICE MODELLO- MODEL CODE

EC14



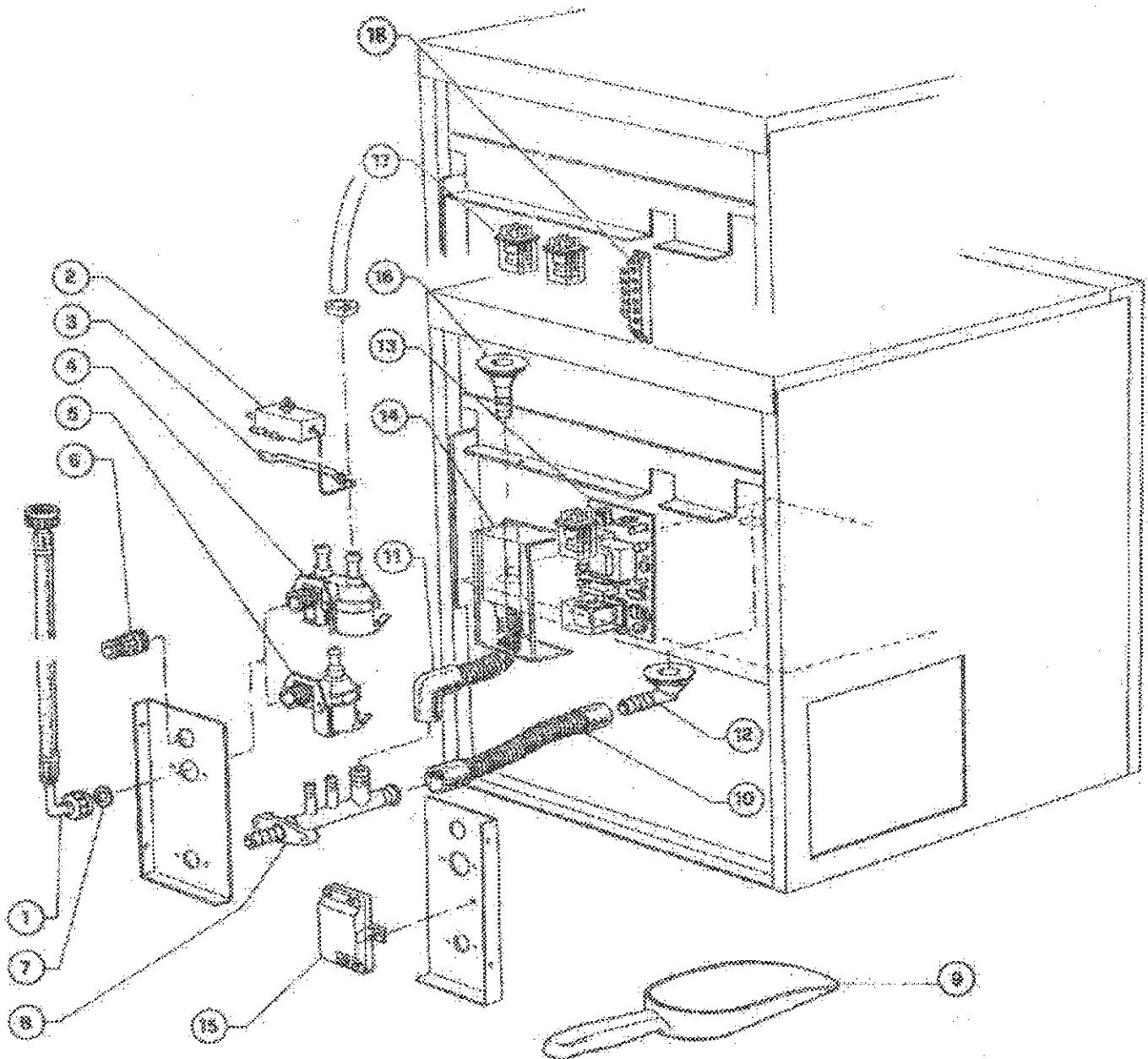
CARROZZERIA PRODUTTORI GHIACCIO EC14, CABINET FOR ICECUBER EC14

| N° | EC14 | CODICE - CODE | A-W | DESCRIZIONE DESCRIPTION |
|----|----------|---------------|-----|---|
| 1 | RM00A646 | | A-W | CORPO FRONTALE GRIGIO TEXT. METAL, FRONTAL CASING |
| 2 | RM00A647 | | A-W | CORPO POSTERIORE GRIGIO TEXT. METAL, POSTERIOR CASING |
| 3 | RP003681 | | A-W | PORTA SERIGRAFATA EURFRIGOR, DOOR EURFRIGOR |
| 4 | RH003638 | | | ROTELLA PER PORTA, SMALL WHEEL FOR DOOR |
| 5 | RQ003639 | | A-W | BUSSOLA ROTELLA PER PORTA, BUSH FOR DOOR |
| 6 | RR003673 | | A-W | VITE ZINCATA, GALVANIZED SCREW |
| 7 | RH003637 | | A-W | FERMO PORTA, DOOR STOP |
| 8 | RMI0B777 | | A-W | SCHIENALE SKIN GRIGIO, POSTERIOR |
| 9 | RM003641 | | A-W | FIANCO SINISTRO SKIN GRIGIO, LEFT PANEL |
| 10 | RM003642 | | A-W | FIANCO DESTRO SKIN GRIGIO, RIGHT PANEL |
| 11 | RM003628 | | A-W | PROTEZIONE TERMOSTATO, THERMOSTAT PROTECTION |
| 12 | RN003624 | | A-W | GRIGLIA CONVOGLIATRICE, GRILL FOR BIN |
| 13 | RN003614 | | A-W | GRIGLIA POSTERIORE, BACK GRILL |
| 14 | RM00A702 | | A-W | STAFFA FISSAGGIO RACCORDI, FIXED BRACKET |
| 15 | RI000738 | | A-W | PRESSACAVO PA 107, FAIR LEAD |
| 16 | RM003627 | | A-W | PROTEZIONE INTERNA TESTATA, HEAD INTERNAL PROTECTION |
| 17 | RN00A692 | | A-W | GRIGLIA POSTERIORE PIANA, BACK GRILL |
| 18 | RN00A650 | | A-W | GRIGLIA CONVOGLIATRICE, GRILL FOR BIN |
| 19 | RMI0A687 | | A-W | PIASTRINA FISSAGGIO PORTABULBO, BULB- HOLDER FIXING PLATE |
| 20 | RC00A693 | | A-W | PORTA BULBO, BULB- HOLDER |
| 21 | RI00B281 | | A-W | INTERRUTTORE LUMINOSO, SWITCH |
| 22 | RMI0B776 | | A-W | FIANCO SINISTRO SKIN GRIGIO, LEFT LATERAL PANEL |
| 23 | RMI0B775 | | A-W | FIANCO DESTRO SKIN GRIGIO, RIGHT LATERAL PANEL |

PARTICOLARE POSTERIORE PRODUTTORE GHIACCIO A CUBETTI, BACK DETAIL OF ICECUBER

CODICE MODELLO- MODEL CODE

EC14 | EC20 | EC30 | ECF30 | EC40 | ECF40 | EC50 | EC60 | ECF60 | EC80 | EC130



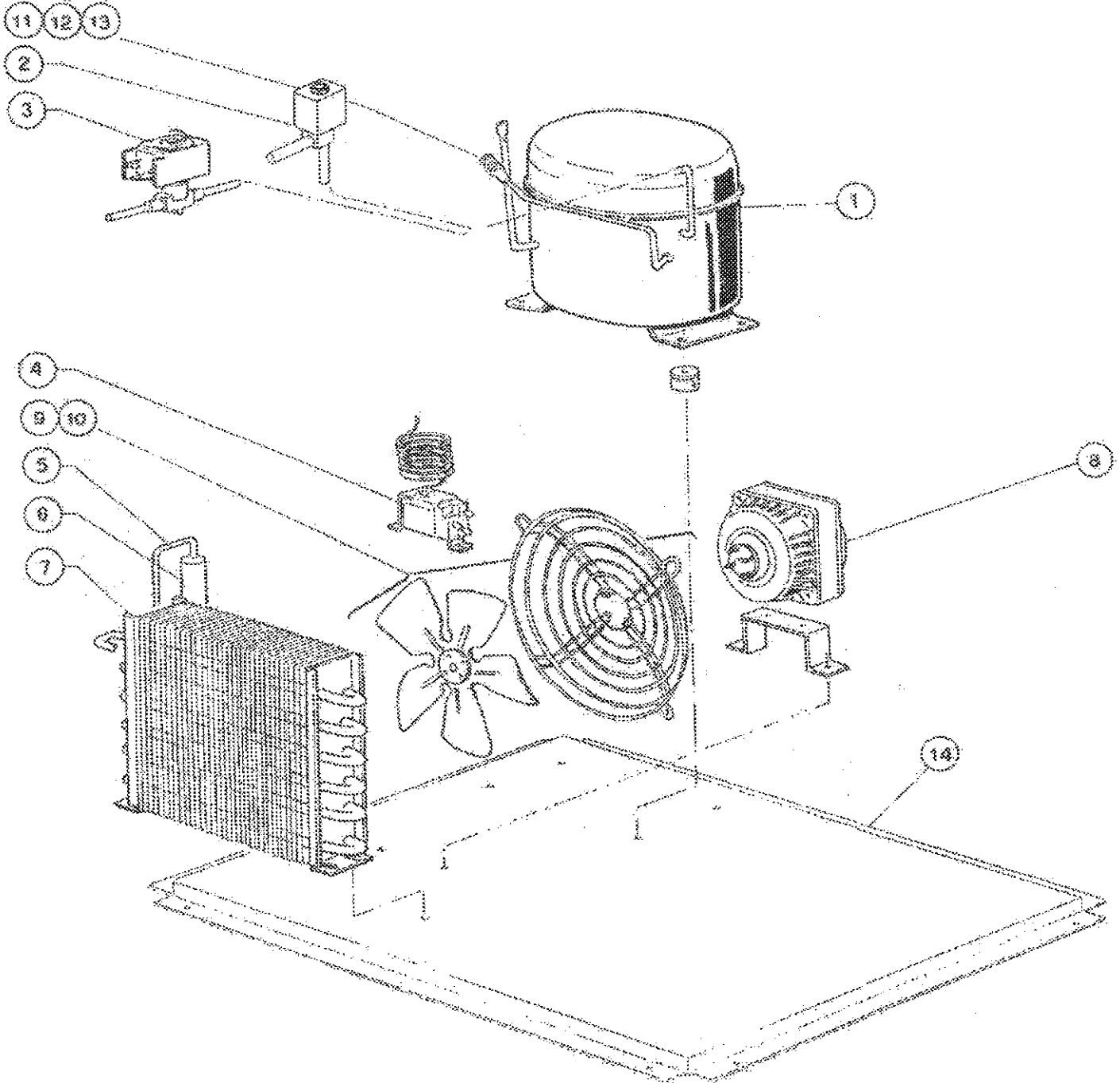
PARTICOLARE POSTERIORE PRODUTTORE GHIACCIO A CUBETTI, BACK DETAIL OF ICECUBER

| N° | CODICE - CODE | | | | | | | | | | | A-W | DESCRIZIONE DESCRIPTION | |
|----|---------------|----------|----------|----------|----------|----------|----------|----------|----------|----------|----------|----------|-----------------------------|---|
| | EC14 | EC20 | EC30 | ECF30 | EC40 | ECF40 | EC50 | EC60 | ECF60 | EC80 | EC130 | | | |
| 1 | RH000717 | RH000717 | RH000717 | RH000717 | RH000717 | RH000717 | RH000717 | RH000717 | RH000717 | RH000717 | RH000717 | RH000717 | A-W | TUBO CARICO ACQUA 3/4" WATER INLET TUBE |
| 2 | RFS0B892 | RFS0B892 | RFS0B892 | RFS0B892 | RFS0B892 | RFS0B892 | RFS0B892 | RFS0B892 | RFS0B892 | RFS0B892 | RFS0B892 | RFS0B892 | A-W | TERMOSTATO DEPOSITO PER P.G. A RELE' DEPOSIT THERMOSTAT |
| | | RF000680 | RF000680 | RF000680 | RF000680 | RF000680 | RF000680 | RF000680 | RF000680 | RF000680 | RF000680 | RF000680 | A-W | TERMOSTATO DEPOSITO PER P.G. A SCHEDA DEPOSIT THERMOSTAT |
| 3 | RC00A693 | | | | | | | | | | | A-W | PORTA BULBO, BULB HOLDER | |
| | | RC000475 | RC000475 | RC000475 | RC000475 | RC000475 | RC000475 | RC000475 | RC000475 | RC000475 | RC000475 | | | RC000475 |
| 4 | RF000625 | RF000625 | RF000625 | RF000625 | RF000625 | RF000625 | RF000625 | RF000625 | RF000625 | RF000625 | RF000625 | RF000625 | | ELETTRORVALVOLA DOPPIA 90°, DOUBLE WATER VALVE |
| 5 | RF000624 | RF000624 | RF000624 | RF000624 | RF000624 | RF000624 | RF000624 | RF000624 | RF000624 | RF000624 | RF000624 | RF000624 | A-W | ELETTRORVALVOLA SINGOLA 90°, WATER VALVE |
| 6 | RI000738 | RI000738 | RI000738 | RI000738 | RI000738 | RI000738 | RI000738 | RI000738 | RI000738 | RI000738 | RI000738 | | A-W | PRESSACAVO PA 107, FAIR LEAD |
| 7 | RH000708 | RH000708 | RH000708 | RH000708 | RH000708 | RH000708 | RH000708 | RH000708 | RH000708 | RH000708 | RH000708 | RH000708 | A-W | GUARNIZIONE PER TUBO DI CARICO D'ACQUA, GASKET FOR WATER INLET |
| 8 | RH000665 | RH000665 | RH000665 | RH000665 | RH000665 | RH000665 | RH000665 | RH000665 | RH000665 | RH000665 | RH000665 | RH000665 | A-W | COLLETTORE SCARICO ACQUA, NYLON WATER OUTLET |
| 9 | RH000688 | RH000688 | RH000688 | RH000688 | RH000688 | RH000688 | RH000688 | RH000688 | RH000688 | | | | A-W | SESSOLA GHIACCIO PICCOLA cm16/19, PADDLE FOR ICE cm16/19 |
| | | | | | | | | | | RH000689 | RH000689 | | | |
| 10 | RH003633 | | | | | | | | | | | RH003633 | A-W | TUBO SCARICO ACQUA, WATER OUTLET |
| | | RH001180 | RH001180 | | RH001180 | | | | | | | | | |
| | | | | RH001181 | | RH001181 | RH001181 | | | | | | | |
| | | | | | RH001182 | | | | RH001182 | | | | | |
| | | | | | | | | | RH00B492 | | | | | |
| 11 | RH003633 | | | | | | | | | | | | A-W | TUBO SCARICO DEPOSITO SUPERIORE, WATER OUTLET |
| | | RH001175 | | | | | | | | | | | | |
| | | | RH001176 | | RH001176 | | | | | | | | | |
| | | | | RH001181 | | | | | | | | | | |
| | | | | | RH001178 | | | | RH001178 | | | | | |
| | | | | | | RH001177 | RH001177 | | | | | | | |
| | | | | | | | | | RH00B493 | | | | | |
| | | | | | | | | | | | RC00A539 | | | |
| 12 | | RH003286 | RH003286 | RH003286 | RH003286 | RH003286 | RH003286 | RH003286 | RH003286 | RH003286 | RH003286 | RH003286 | A-W | PILETTA CURVA D20, ELBOW DRAIN |
| 13 | | | RI00A115 | | RI00A115 | RI00A115 | RI00A115 | RI00A115 | RI00A115 | RI00A115 | RI00A115 | RI00A115 | A-W | SCHEDA ELETTRONICA E5, LED BOARD E5 |
| 14 | | | RH00A096 | RH00A096 | RH00A096 | RH00A096 | RH00A096 | RH00A096 | RH00A096 | RH00A096 | RH00A096 | RH00A096 | A-W | SCATOLA PROTEZIONE SCHEDA ELETTRICA, SAFETY BOX FOR LED BOARD |
| 15 | | | | | | | | | | | | RI000694 | A-W | MORSETTERIA PA104, TERMINAL BLOK |
| 16 | RH003285 | RH003285 | RH003285 | RH003285 | RH003285 | RH003285 | RH003285 | RH003285 | RH003285 | RH003285 | RH003285 | RH003285 | A-W | PILETTA DRITTA D20, SRAIGHT DRAIN |
| 17 | RI000761 | RI000761 | | | | | | | | | | | A-W | RELE', RELAY |
| 18 | RI000709 | RI000709 | | | | | | | | | | | A-W | MORSETTERIA, TERMINAL BLOK |
| | | | RI000859 | RI000859 | RI000859 | RI000859 | RI000859 | RI000859 | RI000859 | RI000859 | RI000859 | | | |

UNITA' CONDENSATRICE AD ARIA PER PRODUTTORI DI GHIACCIO CUBETTI E GRANULARI
AIR CONDENSING UNIT FOR ICECUBER AND ICEFLAKERS

CODICE MODELLO- MODEL CODE

| | | | | | | | | | | | |
|-------|-------|--------|--------|------|-------|------|------|-------|------|-------|--|
| EC14 | EC20 | EC30 | ECF30 | EC40 | ECF40 | EC50 | EC60 | ECF60 | EC80 | EC130 | |
| ES 50 | ES 70 | ES 100 | ES 200 | | | | | | | | |



UNITA' CONDENSATRICE AD ARIA PER PRODUTTORI DI GHIACCIO CUBETTI E GRANULARI
AIR CONDENSING UNIT FOR ICECUBER AND ICEFLAKERS

| N° | CODICE - CODE | | | | | | | | | | | A | DESCRIZIONE DESCRIPTION | | | | |
|----|---------------|----------|----------|----------|----------|----------|----------|----------|----------|----------|----------|----------|----------------------------|----------|--|---|---|
| | EC14 | EC20 | EC30 | ECF30 | EC40 | ECF40 | EC50 | EC60 | ECF60 | EC80 | EC130 | | | | | | |
| 1 | RB00A795 | | | | | | | | | | | | | | | A | COMPRESSORE R404a, COMPRESSOR R404a |
| | | RB00B133 | | | | | | | | | | | | | | | |
| | | | RB00A796 | | | | | | | | | | | | | | |
| | | | | RB00A797 | RB00A797 | RB00A797 | RB00A797 | | | | | | | | | | |
| | | | | | | | | | RB00A798 | RB00A798 | | | | | | | |
| | | | | | | | | | | | | RB00B149 | | | | | |
| 2 | RF000531 | RF000531 | RF000531 | RF000531 | RF000531 | RF000531 | | | | | | | | | | A | VALVOLA SOLENOIDE D.1,5, SOLENOID VALVE D.1,5 |
| | | | | | | | | RF000532 | RF000532 | RF000532 | | | | | | | |
| 3 | | | | | | | | | | | RF000557 | RF000557 | | | | A | VALVOLA SOLENOIDE, SOLENOID VALVE |
| 4 | RF000621 | RF000621 | RF000621 | RF000621 | RF000621 | RF000621 | RF000621 | RF000621 | RF000621 | RF000621 | RF000621 | RF000621 | | | | W | PRESSOSTATO, PRESSURE CONTROL |
| 5 | RA00A328 | | | | | | | | | | | | | | | A | LINEA ALTA PRESSIONE, HIGH PRESSURE LINE |
| | | RA00A338 | | | | | | | | | | | | | | | |
| | | | RA00A348 | | RA00A348 | | | | | | | | | | | | |
| | | | | RA00B275 | | | | | | | | | | | | | |
| | | | | | RA00B321 | | | | | | | | | | | | |
| | | | | | | RA00A354 | | | | | | | | | | | |
| | | | | | | | RA00A377 | | | | | | | | | | |
| | | | | | | | | RA00B306 | | | | | | | | | |
| | | | | | | | | | RA00A380 | | | | | | | | |
| | | | | | | | | | | | RA00A376 | | | | | | |
| 6 | RF000546 | RF000546 | RF000546 | | RF000546 | | RF000546 | RF000546 | | | | | | | | A | FILTRO MOLECOLARE IN RAME, FILTER |
| | | | | RA00B274 | | | | | | | | | | | | | |
| | | | | | RA00B319 | | | | | | | | | | | | |
| | | | | | | | | RA00B305 | | | | RF000543 | RF000543 | | | | |
| 7 | RC000467 | RC000467 | | RC000467 | | | | | | | | | | | | A | CONDENSATORE ARIA, AIR CONDENSER 28,72 |
| | | | RC000463 | | RC000463 | | | | | | | | | | | | |
| | | | | | | RC000383 | RC000383 | | | | | | | | | | |
| | | | | | | | | RC000380 | RC000380 | | | | | | | | |
| | | | | | | | | | | | RC000381 | | | | | | |
| | | | | | | | | | | | | RC00A805 | | | | | |
| 8 | RD000511 | RD000511 | RD000511 | RD000511 | RD000511 | RD000511 | | | | | | | | | | A | VENTILATORE, FAN |
| | | | | | | | RD000512 | | | | | | | | | | |
| | | | | | | | | RC000451 | RC000451 | | | | | | | | |
| | | | | | | | | | | | RC000452 | | | | | | |
| | | | | | | | | | | | | | RC00A807 | | | | |
| 9 | RD000518 | RD000518 | | | | | | | | | | | | | | A | VENTOLA ASPIRANTE, SUCTION FAN |
| | | | RD000519 | RD000519 | RD000519 | RD000519 | | | | | | | | | | | |
| | | | | | | | RD000520 | RD000520 | RD000520 | | | | | | | | |
| | | | | | | | | | | | RD000521 | | | | | | |
| | | | | | | | | | | | | | RD00A629 | | | | |
| 10 | | | | | | | | RC000454 | RC000454 | | | | | | | A | CONVOGLIATORE, CONVEYOR |
| | | | | | | | | | | | RC000455 | | | | | | |
| | | | | | | | | | | | | | | RC00A806 | | | |
| 11 | RF000581 | RF000581 | RF000581 | RF000581 | RF000581 | RF000581 | RF000581 | RF000581 | RF000581 | RF000581 | RF000581 | RF000581 | | | | A | MECCANISMO PER VALVOLA |
| 12 | RA00A649 | | | | | | | | | | | | | RA00A649 | | A | TUBO DI CARICA+VALVOLA |
| | | RA00A336 | RA00A336 | RA00A336 | RA00A336 | RA00A336 | RA00A336 | RA00A336 | RA00A336 | RA00A336 | RA00A336 | RA00A336 | | | | | |
| 13 | RF000583 | RF000583 | RF000583 | RF000583 | RF000583 | RF000583 | RF000583 | RF000583 | RF000583 | RF000583 | RF000583 | | | | | A | CAPPuccio PER VALVOLA DI CARICO, |
| | | | | | | | | | | | | | RF000583 | | | | |
| 14 | RM003606 | | | | | | | | | | | | | | | A | BASAMENTO, BASE |
| | | RM003176 | | RM003176 | | | | | | | | | | | | | |
| | | | RM003177 | | RM003177 | RM003177 | | | | | | | | | | | |
| | | | | | | | RM003178 | RM003178 | RM003178 | | | | | | | | |
| | | | | | | | | | | | | RM003179 | | | | | |
| | | | | | | | | | | | | | | RM00A137 | | | |

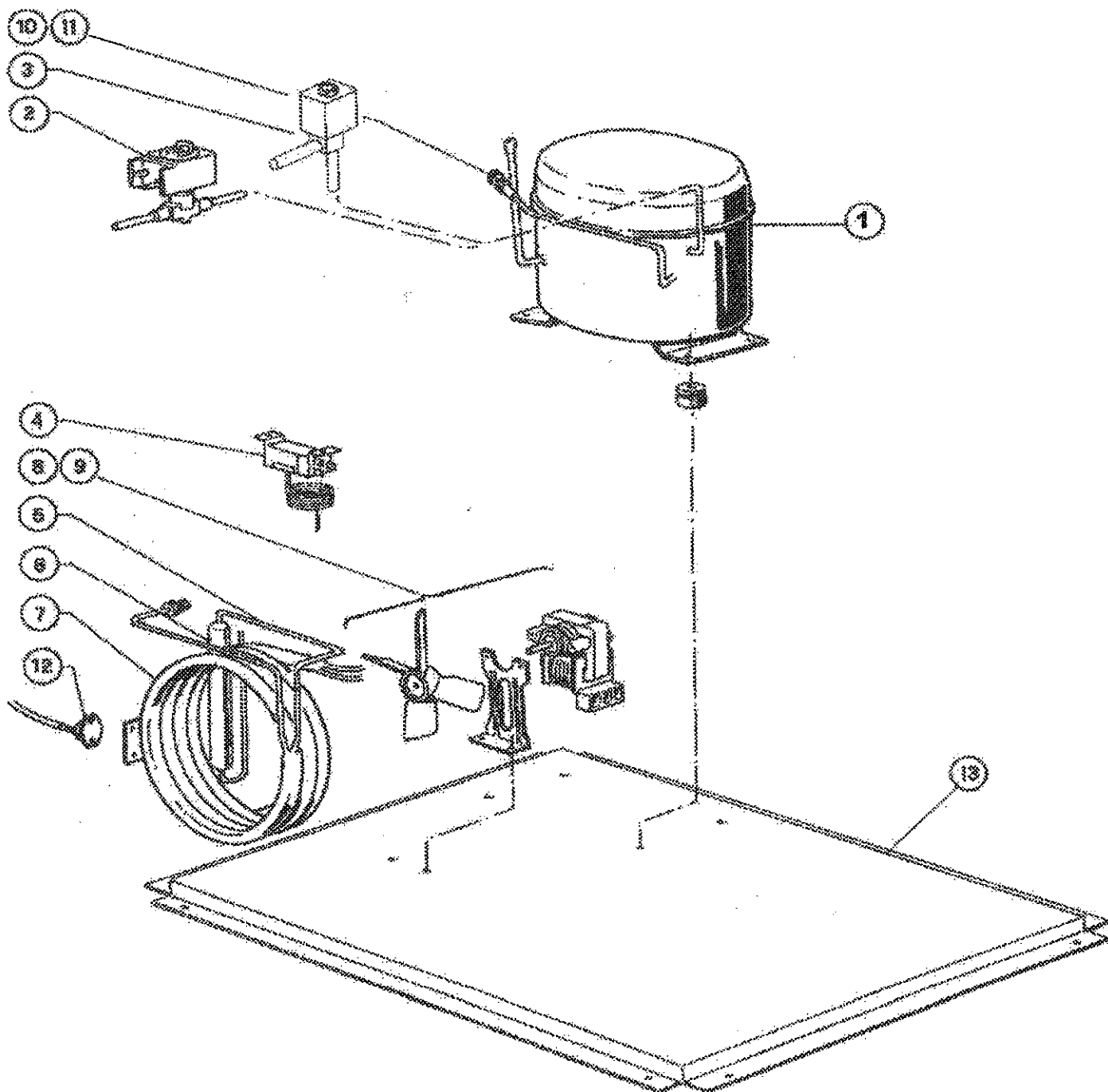
UNITA' CONDENSATRICE AD ARIA PER PRODUTTORI DI GHIACCIO CUBETTI E GRANULARI
AIR CONDENSING UNIT FOR ICECUBER AND ICEFLAKERS

| N° | CODICE - CODE | | | | A | DESCRIZIONE DESCRIPTION |
|----|---------------|----------|----------|----------|---|---|
| | ES 50 | ES 70 | ES 100 | ES 200 | | |
| 1 | RB00A796 | | | | A | COMPRESSORE R404a, COMPRESSOR R404a |
| | | RB00A797 | | | | |
| | | | RB00A798 | | | |
| | | | | RB00B149 | | |
| 2 | RF000531 | RF000531 | | | A | VALVOLA SOLENOIDE, SOLENOID VALVE |
| 3 | | | RF000557 | RF000557 | A | VALVOLA SOLENOIDE, SOLENOID VALVE |
| 4 | RF000621 | RF000621 | RF000621 | RF000621 | A | PRESSOSTATO, PRESSURE CONTROL |
| 5 | RA00A369 | | | | A | LINEA ALTA PRESSIONE HIGHT PRESSURE LINE |
| | | RA00A383 | | | | |
| | | | RA00A708 | | | |
| | | | | RA00A392 | | |
| 6 | RF000546 | RF000546 | RF000546 | | A | FILTRO, FILTER |
| | | | | RF000543 | | |
| 7 | RC000463 | RC000463 | | | A | CONDENSATORE ARIA, AIR CONDENSER |
| | | | RC000380 | | | |
| | | | | RC000381 | | |
| 8 | RD000511 | RD000511 | | | A | VENTILATORE, FAN |
| | | | RC000451 | | | |
| | | | | RC000452 | | |
| 9 | RD000519 | RD000519 | | | A | VENTOLA ASPIRANTE, SUCTION FAN |
| | | | RD000520 | | | |
| | | | | RD000521 | | |
| 10 | | | RC000454 | | A | CONVOGLIATORE, CONVEYOR |
| | | | | RC000455 | | |
| 11 | RF000581 | RF000581 | RF000581 | RF000581 | A | MECCANISMO PER VALVOLA, VALVE ACCESSORIES |
| 12 | RA00A336 | RA00A336 | | | A | TUBO DI CARICA+VALVOLA |
| | | | RA00A649 | RA00A649 | | |
| 13 | RF000583 | RF000583 | RF000583 | RF000583 | A | CAPPUCCIO PER VALVOLA DI CARICO |
| 14 | RM003177 | | | | A | BASAMENTO, BASE |
| | | RM003178 | | | | |
| | | | RM003179 | | | |
| | | | | RM00A137 | | |

UNITA' CONDENSATRICE AD ACQUA PER PRODUTTORI DI GHIACCIO CUBETTI E GRANULARI
WATER CONDENSING UNIT FOR ICECUBER AND ICEFLAKERS

CODICE MODELLO - MODEL CODE

| | | | | | | | | | | |
|-------|-------|--------|--------|------|-------|------|------|-------|------|-------|
| EC14 | EC20 | EC30 | ECF30 | EC40 | ECF40 | EC60 | EC60 | ECF60 | EC80 | EC130 |
| ES 50 | ES 70 | ES 100 | ES 200 | | | | | | | |



UNITA' CONDENSATRICE AD ACQUA PER PRODUTTORI DI GHIACCIO CUBETTI E GRANULARI
WATER CONDENSING UNIT FOR ICECUBER AND ICEFLAKERS

| N° | CODICE - CODE | | | | | | | | | | | W | DESCRIZIONE DESCRIPTION | |
|----|---------------|----------|----------|----------|----------|----------|----------|----------|----------|----------|----------|---|--|--|
| | EC14 | EC20 | EC30 | ECF30 | EC40 | ECF40 | EC50 | EC60 | ECF60 | EC80 | EC130 | | | |
| 1 | RB00A795 | | | | | | | | | | | | W | COMPRESSORE R404a, COMPRESSOR R404a |
| | | RB00B133 | | | | | | | | | | | | |
| | | | RB00A796 | | | | | | | | | | | |
| | | | | RB00A797 | RB00A797 | RB00A797 | RB00A797 | | | | | | | |
| | | | | | | | | RB00A798 | RB00A798 | | | | | |
| | | | | | | | | | | RB00B149 | | | | |
| 2 | RF000531 | RF000531 | RF000531 | RF000531 | RF000531 | RF000531 | | | | | | W | VALVOLA SOLENOIDE D.1,5, SOLENOID VALVE D.1,5 | |
| | | | | | | | RF000532 | RF000532 | RF000532 | | | | | |
| 3 | | | | | | | | | | RF000557 | RF000557 | W | VALVOLA SOLENOIDE, SOLENOID VALVE | |
| 4 | RF000621 | RF000621 | RF000621 | RF000621 | RF000621 | RF000621 | RF000621 | RF000621 | RF000621 | RF000621 | RF000621 | W | PRESSOSTATO, PRESSURE CONTROL | |
| 5 | RA00A334 | | | | | | | | | | | W | LINEA ALTA PRESSIONE, HIGH PRESSURE LINE | |
| | | RA00A344 | | | | | | | | | | | | |
| | | | RA00A362 | | RA00A362 | | RA00A362 | | | | | | | |
| | | | | | | | RA00A355 | | | | | | | |
| | | | | | | | | | RA00A394 | | | | | |
| 6 | RF000546 | RF000546 | RF000546 | | RF000546 | | RF000546 | RF000546 | | | | W | FILTRO MOLECOLARE IN RAME, FILTER | |
| | | | | | | | | | RF000543 | RF000543 | | | | |
| 7 | RC00A332 | | | | | | | | | | | W | CONDENSATORE AD ACQUA, WATER CONDENSER | |
| | | RC00A342 | | RC00A342 | | | | | | | | | | |
| | | | RC00A364 | | RC00A364 | RC00A364 | RC00A364 | | | | | | | |
| | | | | | | | RC00A688 | RC00A688 | | | | | | |
| | | | | | | | | | RC00A691 | | | | | |
| 8 | RD000509 | | RD000509 | | RD000509 | RD000509 | RD000509 | RD000509 | RD000509 | RD000509 | RD000509 | W | VENTILATORE, FAN | |
| | | RD000510 | | RD000510 | | | | | | | | | | |
| 9 | RD000518 | RD000518 | RD000518 | RD000518 | RD000518 | RD000518 | RD000518 | RD000518 | RD000518 | RD000518 | RD000518 | W | VENTOLA ASPIRANTE, SUCTION FAN | |
| 10 | RA00A649 | | | | | | | | | | RA00A649 | W | TUBO CARICA DRITTO/CURVO, LOADING TUBE | |
| | | RA00A336 | RA00A336 | RA00A336 | RA00A336 | RA00A336 | RA00A336 | RA00A336 | RA00A336 | RA00A336 | | | | |
| 11 | RF000583 | RF000583 | RF000583 | RF000583 | RF000583 | RF000583 | RF000583 | RF000583 | RF000583 | RF000583 | RF000583 | W | CAPPUCCIO PER VALVOLA DI CARICO, LOADING VALVE CAP | |
| 12 | RF00B537 | RF00B537 | RF00B537 | RF00B537 | RF00B537 | RF00B537 | RF00B537 | RF00B537 | RF00B537 | RF00B537 | RF00B537 | W | TERMOSTATO BIMETALLICO, DOUBLE METAL THERMOSTAT | |
| 13 | RM003606 | | | | | | | | | | | W | BASAMENTO, BASE | |
| | | RM003176 | | RM003176 | | | | | | | | | | |
| | | | RM003177 | | RM003177 | RM003177 | | | | | | | | |
| | | | | | | RM003178 | RM003178 | RM003178 | | | | | | |
| | | | | | | | | | RM003179 | | | | | |
| | | | | | | | | | | RM00A137 | | | | |

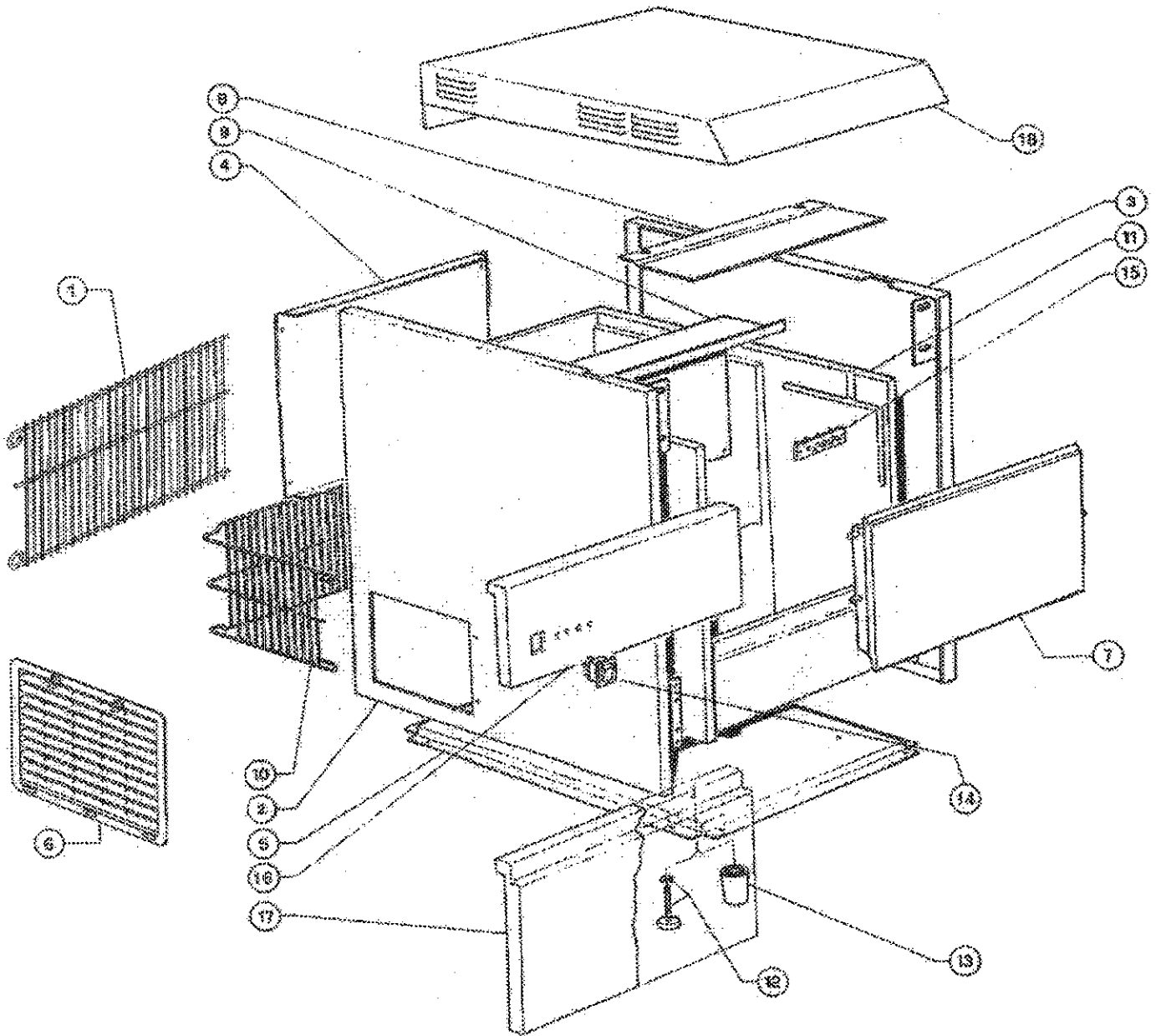
UNITA' CONDENSATRICE AD ACQUA PER PRODUTTORI DI GHIACCIO CUBETTI E GRANULARI
WATER CONDENSING UNIT FOR ICECUBER AND ICEFLAKERS

| N° | CODICE - CODE | | | | W | DESCRIZIONE DESCRIPTION |
|-----------|---------------|----------|----------|----------|---|--|
| | ES 50 | ES 70 | ES 100 | ES 200 | | |
| 1 | RB00A796 | | | | W | COMPRESSORE R404a, COMPRESSOR R404a |
| | | RB00A797 | | | | |
| | | | RB00A798 | | | |
| | | | | RB00B149 | | |
| 2 | RF000531 | RF000531 | | | W | VALVOLA SOLENOIDE, SOLENOID VALVE |
| 3 | | | RF000557 | RF000557 | W | VALVOLA SOLENOIDE, SOLENOID VALVE |
| 4 | RF000621 | RF000621 | RF000621 | RF000621 | W | PRESSOSTATO, PRESSURE CONTROL |
| 5 | RA00A372 | | | | W | LINEA ALTA PRESSIONE |
| | | RA00A386 | | | | |
| | | | RA00A712 | | | |
| | | | | RA00A395 | | |
| 6 | RF000546 | RF000546 | RF000546 | | W | FILTRO, FILTER |
| | | | | RF000543 | | |
| 7 | RC000464 | RC000464 | | | W | CONDENSATORE AD ACQUA, WATER CONDENSER |
| | | | RC00A688 | | | |
| | | | | RC00A691 | | |
| 8 | RD000509 | RD000509 | RD000509 | RD000509 | W | VENTILATORE, FAN |
| 10 | RF000581 | RF000581 | RF000581 | RF000581 | W | MECCANISMO PER VALVOLA, VALVE MECHANISM |
| 10 bis | RA00A336 | RA00A336 | | | W | TUBO DI CARICA+VALVOLA, LOADING TUBE PLUS VALVE |
| | | | RA00A649 | RA00A649 | | |
| 11 | RF000583 | RF000583 | RF000583 | RF000583 | W | CAPPUCCIO PER VALVOLA DI CARICO, LOADING VALVE CAP |
| 12 | RF00B537 | RF00B537 | RF00B537 | RF00B537 | W | TERMOSTATO BIMETALLICO, DOUBLE METAL THERMOSTAT |
| 13 | RM003177 | | | | W | BASAMENTO, BASE |
| | | RM003178 | | | | |
| | | | RM003179 | | | |
| | | | | RM00A137 | | |

CARROZZERIA PRODUTTORE CHIACCIO GRANULARE, CABINET FOR ICEFLAKER

CODICE MODELLO- MODEL CODE

ES 50 | ES 70 | ES 100



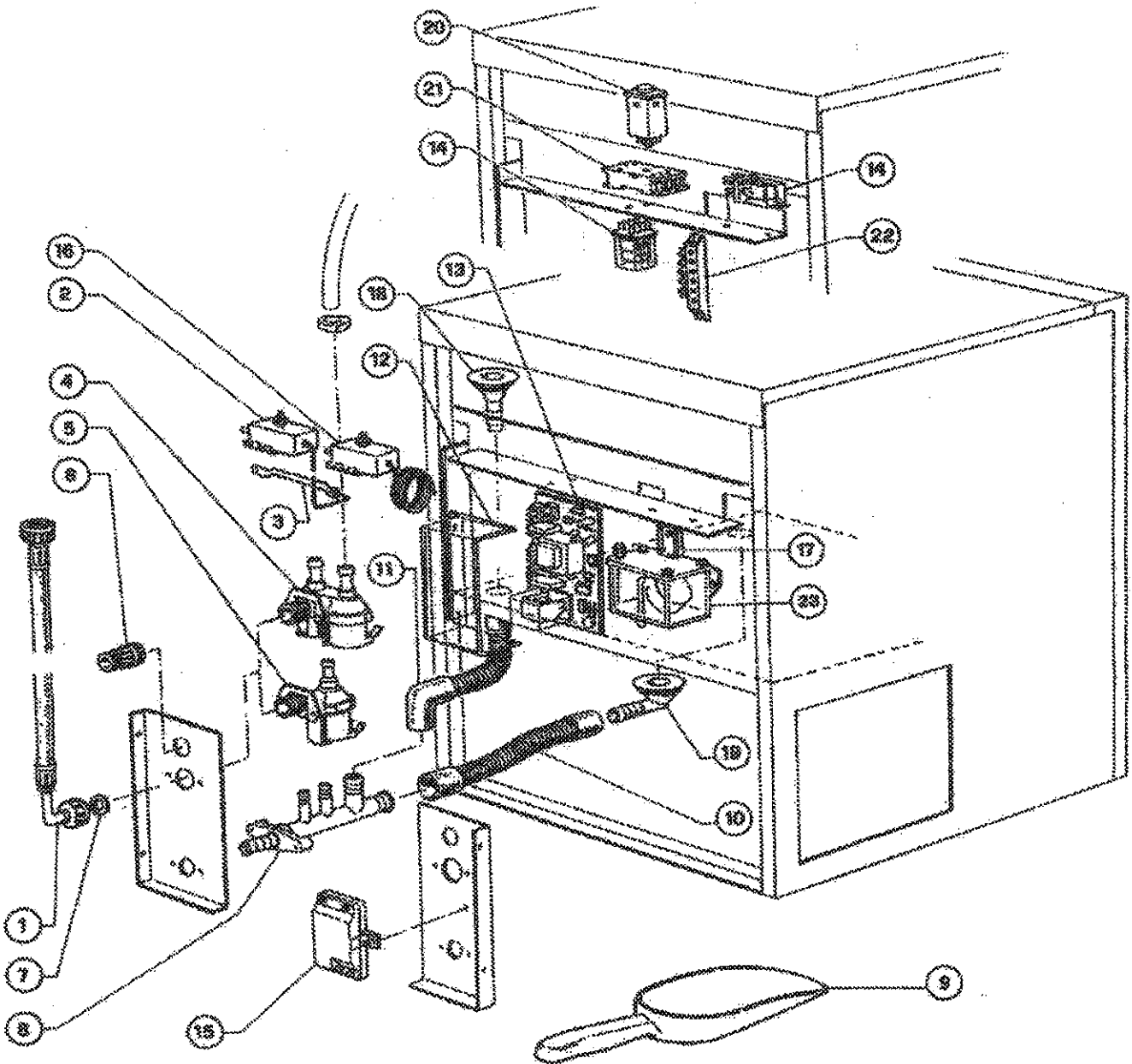
CARROZZERIA PRODUTTORE CHIACCIO GRANULARE, CABINET FOR ICEFLAKER

| N° | CODICE - CODE | | | W-A | DESCRIZIONE DESCRIPTION |
|----|---------------|----------|----------|-----|--|
| | ES 50 | ES 70 | ES 100 | | |
| 1 | RN00B417 | | | W-A | GRIGLIA POSTERIORE, POSTERIOR GRILL |
| | | RN00B418 | | | |
| | | | RN00B419 | | |
| 2 | RMI0A498 | | | W-A | FIANCO SINISTRO INOX, LEFT LATERAL PANEL |
| | | RMI0B727 | | | |
| | | | RMI0B728 | | |
| 3 | RMI0A501 | | | W-A | FIANCO DESTRO INOX, RIGHT LATERAL PANEL |
| | | RMI0B725 | | | |
| | | | RMI0B726 | | |
| 4 | RML03161 | | | W-A | SCHENALE, POSTERIOR PANEL |
| | | RML03162 | | | |
| | | | RML03163 | | |
| 5 | RM003177 | | | W-A | BASAMENTO, BASE |
| | | RM003178 | | | |
| | | | RM003179 | | |
| 6 | RN00B333 | RN00B333 | RN00B333 | W-A | GRIGLIA PER FIANCO BLU, BLU GRILL FOR LATERAL |
| 7 | RP00A810 | | | W-A | PORTA BLU SELIGRAFATA EURFRIGOR, DOOR |
| | | RP00A811 | | | |
| | | | RP00A812 | | |
| 8 | RMI03258 | | | W-A | COPERCHIO CAMERA GHIACCIO, UPPEL PANEL FOR ICE ROOM |
| | | RMI03262 | | | |
| | | | RMI0A538 | | |
| 9 | RN00B417 | | | W-A | DIVISORIO PORTA THERMOSTATO, SUPPORT FOR THERMOSTAT |
| | | RMI0B078 | | | |
| | | | RMI0B079 | | |
| 10 | RN001117 | | | W-A | GRIGLIA POSTERIORE, POSTERIOR GRILL |
| | | RN001118 | | | |
| | | | RN001119 | | |
| 11 | RP00B720 | | | W-A | DEPOSITO GHIACCIO, DEPOSIT |
| | | RP003186 | | | |
| | | | RP003187 | | |
| 12 | RH000685 | | | W-A | PIEDE IN PLASTICA NERO, BLACK FOOT |
| 13 | | RH00A799 | | W-A | PIEDE IN PLASTICA NERO, BLACK FOOT |
| | | | RH000684 | | |
| 14 | RI000751 | RI000751 | RI000751 | W-A | INTERRUTTORE LUMINOSO, SWITCH |
| 15 | RI00A031 | RI00A031 | RI00A031 | W-A | SCHEDA ELETTRONICA TIPO E4, LED BOARD TYPE E4 |
| 16 | RMI0A166 | | | W-A | PANNELLO SOPRAPORTA, OVERDOOR PANEL |
| | | RMI0A175 | | | |
| | | | RMI0C123 | | |
| 17 | RMI0B712 | | | W-A | PANNELLO SOTTOPORTA, UNDERDOOR PANEL |
| | | RMI0B801 | | | |
| | | | RMI0B802 | | |
| 18 | RMI0A150 | | | W-A | COPERCHIO, UPPER PANEL |
| | | RMI0A153 | | | |
| | | | RMI0A156 | | |

PARICOLARE POSTERIORE PRODUTTORE GHIACCIO GRANULARE, BACK DETAIL OF ICEFLAKER

CODICE MODELLO- MODEL CODE

ES 50 ES 70 ES 100 ES 200



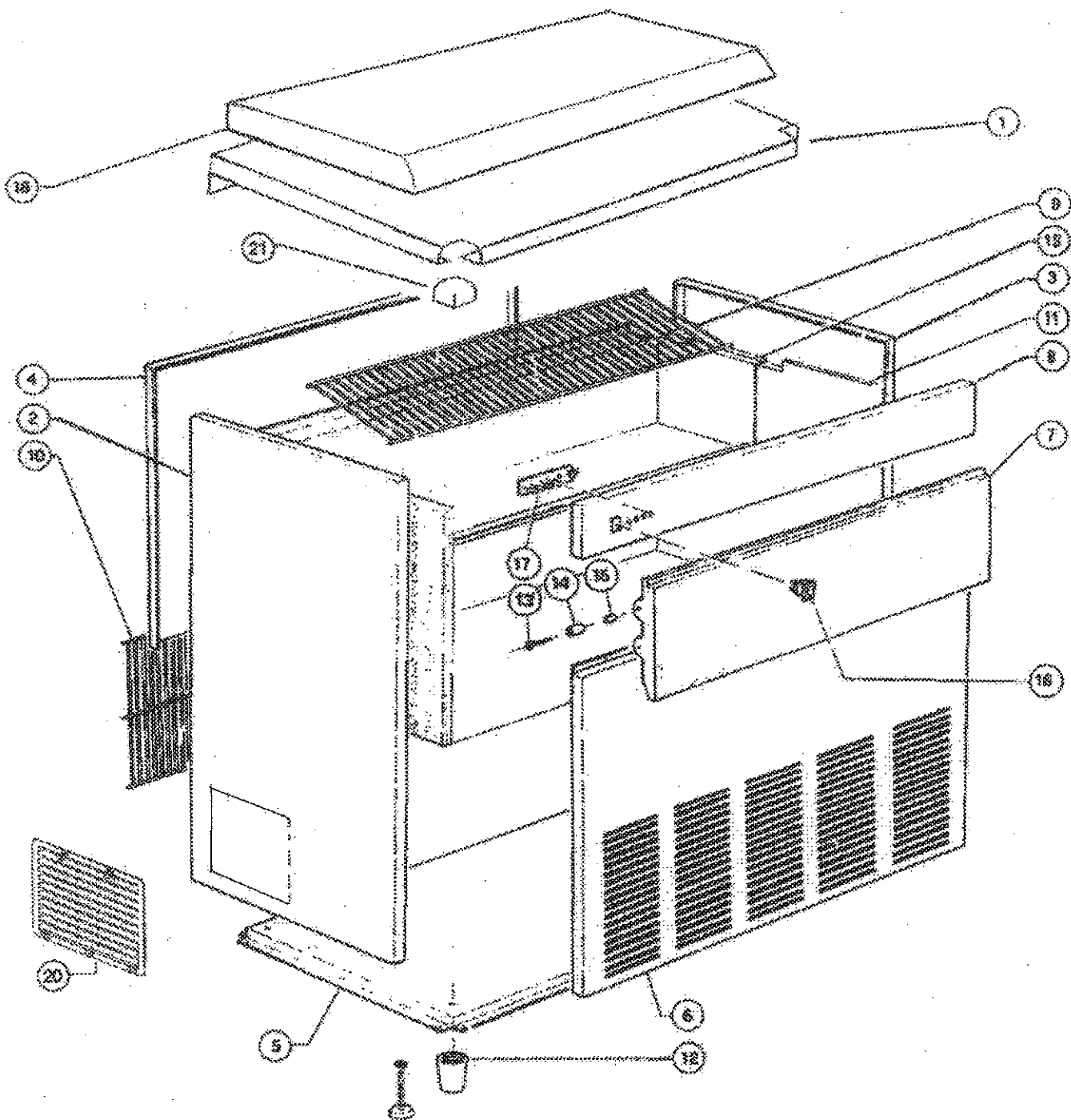
PARICOLARE POSTERIORE PRODUTTORE GHIACCIO GRANULARE, BACK DETAIL OF ICEFLAKER

| N° | CODICE - CODE | | | | W-A | DESCRIZIONE DESCRIPTION |
|----|---------------|----------|----------|----------|-----|--|
| | ES 50 | ES 70 | ES 100 | ES 200 | | |
| 1 | RH000717 | RH000717 | | RH000717 | WA | TUBO CARICO ACQUA, WATER INLET TUBE |
| | | | RH001211 | | | |
| 2 | RF000615 | RF000615 | RF000615 | RF000615 | WA | CONTENITORE TERMOSTATO, DEPOSIT THERMOSTAT |
| 3 | RC003281 | RC003281 | RC003281 | RC003281 | WA | PORTABULBO, BULB HOLDER |
| 4 | RF000690 | RF000690 | RF000690 | RF000690 | WA | ELETTROVALVOLA AD ACQUA, WATER ELECTROVALVE |
| 5 | RF00A581 | RF00A581 | RF00A581 | RF00A581 | WA | ELETTROVALVOLA, ELECTROVALVE |
| 6 | RI000738 | RI000738 | RI000738 | | WA | PASSACAVO PA 107 ELETTROGIBI, FAIR LEAD PA 107 |
| 7 | RH000708 | RH000708 | RH000708 | RH000708 | WA | GUARNIZIONE PER TUBO DI CARICO ACQUA, GASKET FOR WATER INLET TUBE |
| 8 | RH000665 | RH000665 | RH000665 | RH000665 | WA | COLLETTORE SCARICO ACQUA, NYLON WATER OUTLET |
| 9 | RH000688 | RH000688 | | | WA | SESSOLA cm16/cm19, PADDLE FOR ICE cm16/cm19 |
| | | | RH000689 | RH000689 | | |
| 10 | RH001180 | | | | WA | TUBO SCARICO INFERIORE, LOWER WATER OUTLET |
| | | RH001181 | | | | |
| | | | RH001182 | | | |
| 11 | RH001176 | | | | WA | TUBO SCARICO SUPERIORE, UPPER WATER OUTLET |
| | | RH001177 | | | | |
| | | | RH001178 | | | |
| | | | | RH003633 | | |
| 12 | RH00A096 | RH00A096 | RH00A096 | RH00A096 | WA | SCATOLA PROTEZIONE SHEDA ELETTRICA, PROTECTION BOX |
| 13 | RI003551 | RI003551 | RI003551 | RI003551 | WA | SCHEDA ELETTRONICA TIPO E2, LED BOARD |
| 14 | RI000761 | RI000761 | RI000761 | RI000761 | WA | RELE', RELAY |
| 15 | | | | RI000694 | WA | MORSETTERIA PA104, TERMINAL BLOK PA104 |
| 16 | RF000618 | RF000618 | RF000618 | RF000618 | WA | TERMOSTATO EVAPORATORE, THERMOSTAT FOR EVAPORATOR |
| 17 | RI000800 | RI000800 | RI000800 | RI000800 | WA | MICROIMPULSI PER GALLEGGIANTE, FLOAT BALL MICRO SWICH |
| 18 | RH003285 | RH003285 | RH003285 | RH003285 | WA | PILETTA DRITTA, STRAINGHT DRAIN |
| 19 | RH003286 | RH003286 | RH003286 | | WA | PILETTA CURVA, ELBOW DRAIN |
| 20 | RF000555 | RF000555 | RF000555 | RF000555 | WA | TEMPORIZZATORE, TIMER |
| 21 | RF000556 | RF000556 | RF000556 | RF000556 | WA | CONNETTORE PER TEMPORIZZATORE, TIMER CONNECTOR |
| 22 | RI000859 | RI000859 | RI000859 | | WA | MORSETTERIA, TERMINAL BLOK |
| 23 | RH00B632 | RH00B632 | RH00B632 | RH00B632 | WA | GALLEGGIANTE COMPLETO FLOAT BALL |

CARROZZERIA PRODUTTORI GHIACCIO , CABINET FOR MACHINE

CODICE MODELLO- MODEL CODE

| | | | | | | | | | | |
|------|------|-------|------|-------|------|------|-------|------|-------|-------|
| EC20 | EC30 | ECF30 | EC40 | ECF40 | EC50 | EC60 | ECF60 | EC80 | EC130 | ES200 |
|------|------|-------|------|-------|------|------|-------|------|-------|-------|



CARROZZERIA PRODUTTORI GHIACCIO, CABINET FOR MACHINE

| N° | CODICE - CODE | | | | | | | | | | | WA | DESCRIZIONE DESCRIPTION | |
|----|---------------|----------|----------|----------|----------|----------|----------|----------|----------|-------|-------|----|----------------------------|---|
| | EC20 | EC30 | ECF30 | EC40 | ECF40 | EC50 | EC60 | ECF60 | EC80 | EC130 | ES200 | | | |
| 1 | RMIOB597 | | RMIOB597 | | | | | | | | | | WA | COPERCHIO SPIGOLI SMUSSATI, UPPER PANEL INOX |
| | | RMIOB711 | | RMIOB711 | RMIOB711 | | | | | | | | | |
| | | | | | | RMIOB729 | RMIOB729 | | | | | | | |
| | | | | | | | | RMIOB257 | | | | | | |
| | | | | | | | | | RMIOB730 | | | | | |
| 2 | RMIOB594 | | | | | | | | | | | | WA | FIANCO SINISTRO INOX, LEFT LATERAL PANEL INOX |
| | | RMIOB709 | | RMIOB709 | | | | | | | | | | |
| | | | RMIOB722 | | | | | | | | | | | |
| | | | | RMIOB724 | | | | | | | | | | |
| | | | | | RMIOB727 | RMIOB727 | | | | | | | | |
| | | | | | | | RMIOB287 | | | | | | | |
| | | | | | | | | | RMIOB728 | | | | | |
| 3 | RMIOB593 | | | | | | | | | | | | WA | FIANCO DESTRO INOX, RIGHT LATERAL PANEL INOX |
| | | RMIOB710 | | RMIOB710 | | | | | | | | | | |
| | | | RMIOB721 | | | | | | | | | | | |
| | | | | RMIOB723 | | | | | | | | | | |
| | | | | | RMIOB725 | RMIOB725 | | | | | | | | |
| | | | | | | | RMIOB288 | | | | | | | |
| | | | | | | | | | RMIOB726 | | | | | |
| 4 | RML03160 | | | | | | | | | | | | WA | SCHIENALE ZINCATO, POSTERIOR PANEL |
| | | RML03161 | | RML03161 | | | | | | | | | | |
| | | | RML0B261 | | | | | | | | | | | |
| | | | | RML0B339 | | | | | | | | | | |
| | | | | | RML03162 | RML03162 | | | | | | | | |
| | | | | | | | RML0B340 | | | | | | | |
| | | | | | | | | | RML03163 | | | | | |
| 5 | RM003176 | | RM003176 | | | | | | | | | | WA | BASAMENTO, BASE |
| | | RM003177 | | RM003177 | RM003177 | | | | | | | | | |
| | | | | | RM003178 | RM003178 | RM003178 | | | | | | | |
| | | | | | | | | RM003179 | | | | | | |
| 6 | RMIOB598 | | | | | | | | | | | | WA | PANNELLO SOTTOPISTA INOX, UNDER DOOR PANEL INOX |
| | | RMIOB712 | | RMIOB712 | | | | | | | | | | |
| | | | RMIOB262 | | | | | | | | | | | |
| | | | | RMIOB263 | | | | | | | | | | |
| | | | | | RMIOB801 | RMIOB801 | | | | | | | | |
| | | | | | | | RMIOB264 | | | | | | | |
| | | | | | | | | RMIO3392 | | | | | | |
| 7 | RP00A810 | RP00A810 | RP00A810 | RP00A810 | RP00A810 | | | | | | | | WA | PORTA LISCIATA BLU SERIGRAFATA EURFRIGOR, BLU DOR EURFRIGOR |
| | | | | | | RP00A811 | RP00A811 | RP00A811 | | | | | | |
| | | | | | | | | | RP00A812 | | | | | |

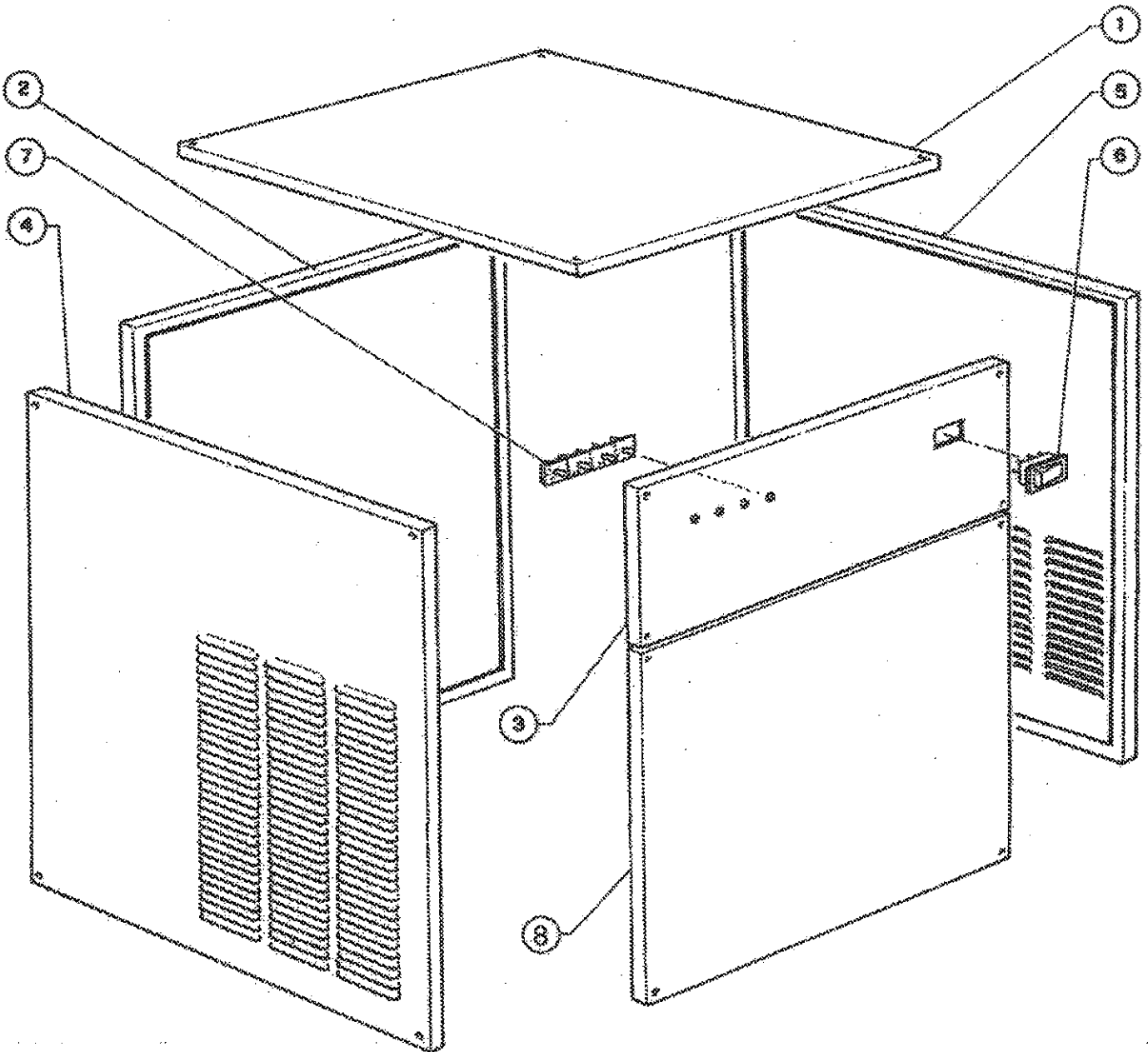
CARROZZERIA PRODUTTORI GHIACCIO , CABINET FOR MACHINE

| N° | CODICE - CODE | | | | | | | | | | | WA | DESCRIZIONE DESCRIPTION | | | |
|----|---------------|----------|----------|----------|----------|----------|----------|----------|----------|----------|----------|----------|----------------------------|---|--|--------------------------------|
| | EC20 | EC30 | ECF30 | EC40 | ECF40 | EC50 | EC60 | ECF60 | EC80 | EC130 | ES200 | | | | | |
| 8 | RMI0B600 | RMI0B600 | RMI0B600 | RMI0B600 | RMI0B600 | | | | | | | | WA | PANNELLO SOPRAPORTA INTERO INOX, COMPLETE OVER DOOR PANEL | | |
| | | | | | | RMI0B732 | RMI0B732 | | | | | | | | | |
| | | | | | | | | RMI0A175 | | | | | | | | |
| | | | | | | | | | RMI0B734 | | | | | | | |
| | | | | | | | | | | RMI0A271 | | | | | | |
| | | | | | | | | | | | RMI0A140 | | | | | |
| 9 | RN000931 | | RN000931 | | | | | | | | | | WA | GRIGLIA CONVOGLIATRICE, GRILL FOR BIN | | |
| | | RN000932 | | RN000932 | RN000932 | | | | | | | | | | | |
| | | | | | | RN000928 | RN000928 | RN000928 | | | | | | | | |
| | | | | | | | | | RN000933 | | | | | | | |
| | | | | | | | | | | | RN00A139 | | | | | |
| 10 | RN00B416 | | RN00B416 | | | | | | | | | | WA | GRIGLIA POSTERIORE, BACK GRILL | | |
| | | RN00B417 | | RN00B417 | | | | | | | | | | | | |
| | | | | | RN00B418 | RN00B418 | RN00B418 | RN00B418 | | | | | | | | |
| | | | | | | | | | RN00B416 | | | | | | | |
| | | | | | | | | | | RN001101 | RN001101 | | | | | |
| 11 | RP00B656 | | | | | | | | | | | | WA | DEPOSITO GHIACCIO, DEPOSIT | | |
| | | | RP003184 | | | | | | | | | | | | | |
| | | RP00B720 | | RP00B720 | | | | | | | | | | | | |
| | | | | | RP003185 | | | | | | | | | | | |
| | | | | | | RP003186 | RP003186 | RP003186 | | | | | | | | |
| | | | | | | | | | RP003187 | | | | | | | |
| | | | | | | | | | RP00A104 | RP00A104 | | | | | | |
| 12 | RH000685 | RH000685 | RH000685 | RH000685 | RH000685 | | | | | | | | WA | PIEDE IN PLASTICA NERO, FOOT | | |
| | | | | | | RH00A799 | RH00A799 | RH00A799 | | | | | | | | |
| 13 | | | | | | | | | | | | RH000684 | RH000684 | RH000684 | WA | VITE ZINCATA, GALVANIZED SCREW |
| 14 | RH001147 | RH001147 | RH001147 | RH001147 | RH001147 | RH001147 | RH001147 | RH001147 | RH001147 | | | | WA | ROTELLA PER PORTA, SMALL WHEEL FOR DOOR | | |
| | | | | | | | | | | | | RH003638 | | | RH003638 | |
| 15 | | | | | | | | | | | | RQ003639 | RQ003639 | WA | BUSSOLA ROTELLA PER PORTA, BUSH FOR DOOR | |
| 16 | RI000751 | RI000751 | RI000751 | RI000751 | RI000751 | RI000751 | RI000751 | RI000751 | RI000751 | RI000751 | RI000751 | RI000751 | WA | INTERRUTTORE LUMINOSO, SWITCH | | |
| 17 | | RI00A031 | RI00A031 | RI00A031 | RI00A031 | RI00A031 | RI00A031 | RI00A031 | RI00A031 | RI00A031 | RI00A031 | RI00A031 | WA | SCHEDA ELETTRONICA TIPO E4, LED BOARD | | |
| 18 | | | | | | | | | | | | RMI0A513 | WA | COPERCHIO 45°, UPPER PANEL | | |
| 19 | | | | | | | | | | | | RP00A103 | WA | VASCA INTERNA, INTERNAL TRAY | | |
| 20 | RN00B333 | RN00B333 | RN00B333 | RN00B333 | RN00B333 | RN00B333 | RN00B333 | RN00B333 | RN00B333 | RN00B333 | | | WA | GRIGLIA BLU PER FIANCO, BLU GRILL FOR LATERAL | | |
| 21 | RN00B367 | RN00B367 | RN00B367 | RN00B367 | RN00B367 | RN00B367 | RN00B367 | RN00B367 | RN00B367 | RN00B367 | | | WA | TAPPI ANGOLARI PER COPERCHIO, COVER PLUGS | | |

CARROZZERIA PRODUTTORE MODULARE GHIACCIO GRANULARE, CABINET FOR ICEFLAKER MODULAR

CODICE MODELLO- MODEL CODE

ES200 | ES320



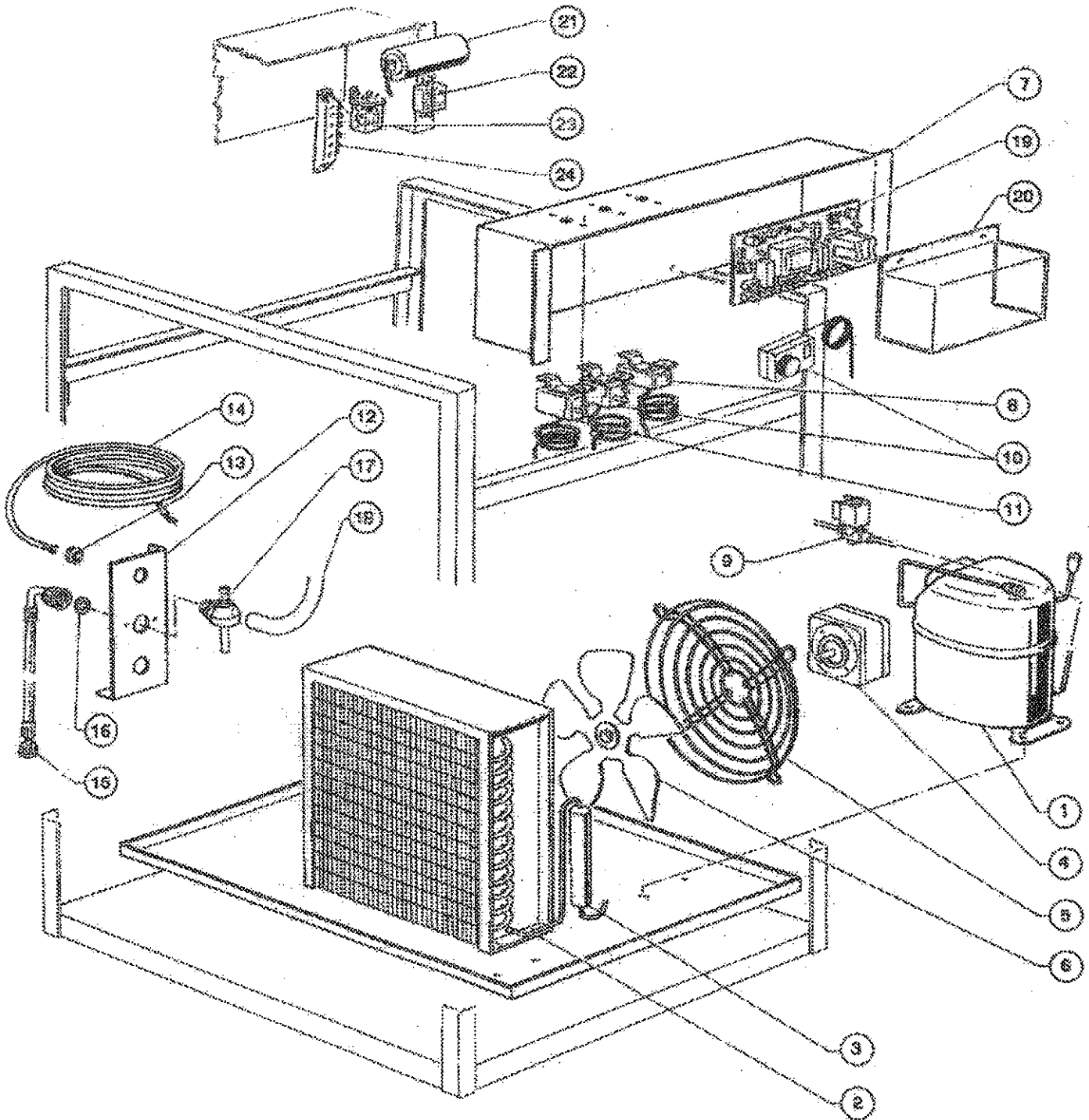
CARROZZERIA PRODUTTORE MODULARE GHIACCIO GRANULARE, CABINET FOR ICEFLAKER MODULAR

| N° | CODICE - CODE | | WA | DESCRIZIONE DESCRIPTION |
|----|---------------|----------|----|--|
| | ES200 | ES320 | | |
| 1 | RMI03243 | RMI03243 | WA | COPERCHIO, UPPER PANEL |
| 2 | RMI03166 | RMI03166 | WA | PANNELLO POSTERIORE, POSTERIOR PANEL |
| 3 | RMI03250 | RMI03250 | WA | PANNELLO FRONTALE, FRONTAL PANEL |
| 4 | RMI03157 | RMI03157 | WA | PANNELLO LATERALE SINISTRO, LEFT LATERAL PANEL |
| 5 | RMI03149 | RMI03149 | WA | PANNELLO LATERALE DESTRO, RIGHT LATERAL PANEL |
| 6 | RI000751 | RI000751 | WA | INTERRUTTORE, SWITCH |
| 7 | RI00A031 | RI00A031 | WA | SCHEDA ELETTRONICA TIPO E4, LED BOARD TYPE E4 |
| 8 | RMI03249 | RMI03249 | WA | PANNELLO FRONTALE BASSO, FRONTAL PANEL |

UNITA' CONDENSATRICE AD ARIA, AIR CONDENSING UNIT

CODICE MODELLO- MODEL CODE

ES200 ES320



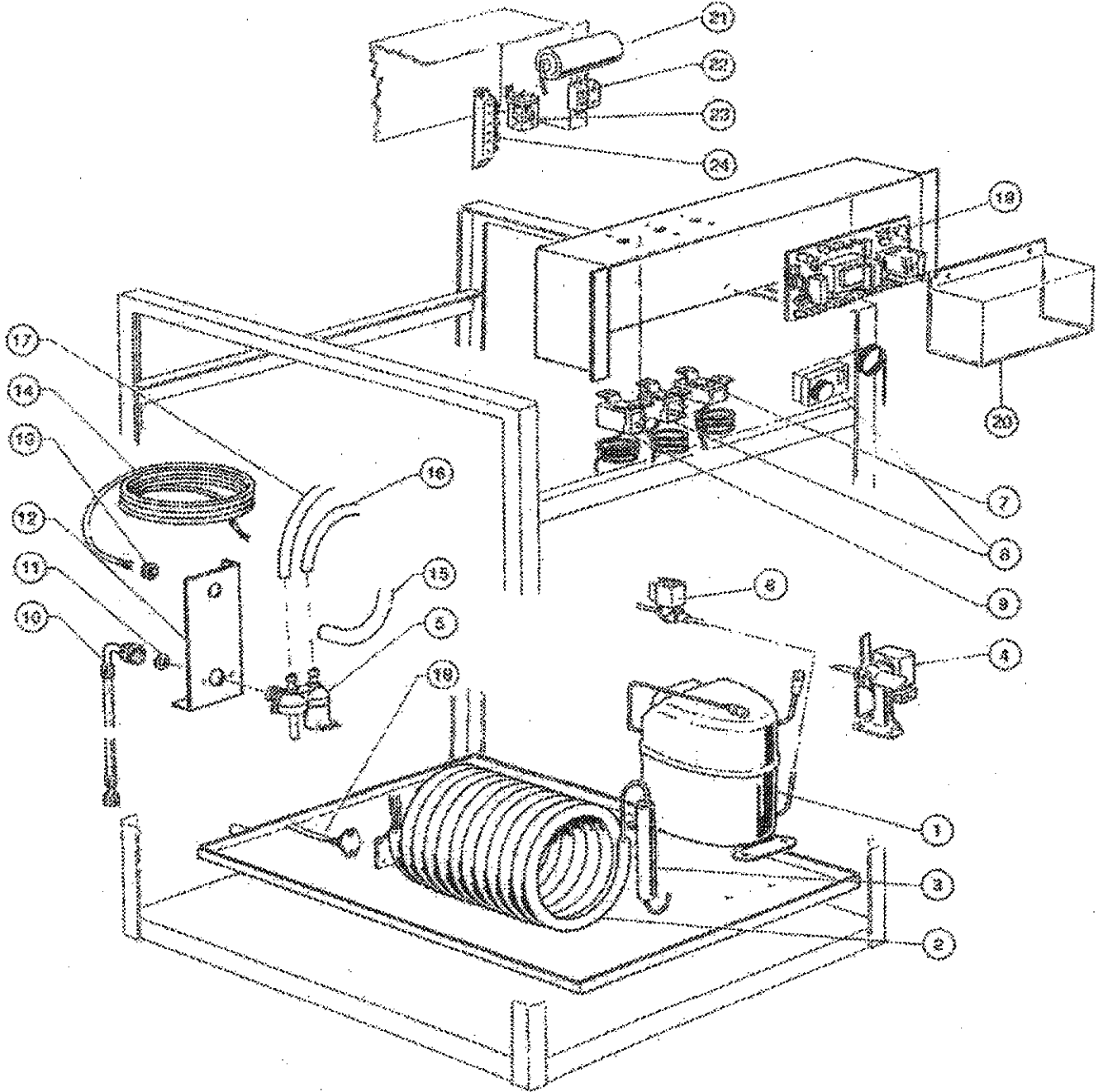
UNITA' CONDENSATRICE AD ARIA, AIR CONDENSING UNIT

| N° | CODICE - CODE | | A | DESCRIZIONE DESCRIPTION |
|----|---------------|----------|---|---|
| | ES200 | ES320 | | |
| 1 | RB00B149 | | A | COMPRESSORE R404a, R404a COMPRESSOR |
| | | RB00B162 | | |
| 2 | RC00B425 | | A | CONDENSATORE ARIA AIR CONDENSER |
| | | RC00B653 | | |
| 3 | RA00A775 | | A | PARTICOLARE LINEA ALTA PRESSIONE HIGH PRESSURE LINE |
| | | RA00B421 | | |
| 4 | RD000510 | RD000510 | A | MOTORE PER VENTOLA 10/16W FAN MOTOR 10/16W |
| 5 | RC00B937 | | A | GRIGLIA DI SUPPORTO VENTILATORE, GRID FOR SUPPORT FAN |
| | | RC00B938 | | |
| 6 | RD000521 | | A | VENTOLA ASPIRANTE diam.250/300, SUCTION FAN diam.250/300 |
| | | RD000499 | | |
| 7 | RM003261 | RM003261 | A | SCATOLA COMANDI ELETTRICI ELECTRIC SWITCH BOX |
| 8 | RF000615 | RF000615 | A | TERMOSTATO DEPOSITO BIN THERMOSTAT |
| 9 | RF000557 | RF000557 | A | VALVOLA SOLENOIDE, SOLENOID VALVE |
| 10 | RF000618 | RF000618 | A | TERMOSTATO PER EVAPORATORE, EVAPORATOR THERMOSTAT |
| 11 | RF000621 | RF000621 | A | PRESSOSTATO, PRESSURE CONTROL |
| 12 | RM001093 | RM001093 | A | STAFFA ALLACCIAMENTO IDRICO, WATER CONNECTION BRACKET |
| 13 | RI000736 | RI000736 | A | PASSACAVO PA 107 FAIR LEAD PA 107 |
| 14 | RI000866 | RI000866 | A | CAVO DI ALIMENTAZIONE 3x1,5, POWER INPUT CABLE 3x1,5 |
| 15 | RH000717 | RH000717 | | TUBO CARICO ACQUA, WATER INLET TUBE |
| 16 | RH000708 | RH000708 | A | GUARNIZIONE PER TUBO CARICO ACQUA, GASKET FOR WATER INLET TUBE |
| 17 | RF00A581 | RF00A581 | A | ELETTROVALVOLA, ELECTROVALVE |
| 18 | RH000718 | RH000718 | A | TUBO ANTIGELO 10x16, TUBE 10x16 |
| 19 | RI003551 | RI003551 | A | SCHEDA ELETTRONICA TIPO E2, LED BOARD TYPE E2 |
| 20 | RH00B559 | RH00B559 | A | SCATOLA PROTEZIONE SHEDA ELETTRICA, PROTECTION BOX |
| 21 | RB00C321 | | A | CONDENSATORE DI SPUNTO, START CONDENSER |
| | | RB00C320 | | |
| 22 | RB00C323 | | A | RELE', RELAY |
| | | RB00C322 | | |
| 23 | RI000761 | RI000761 | A | RELE', RELAY |
| 24 | RI000694 | RI000694 | A | MORSETTERIA 5+1, TERMINAL BLOCK |

UNITA' CONDENSATRICE AD ACQUA, WATER CONDENSING UNIT

ES200 ES320

CODICE MODELLO- MODEL CODE



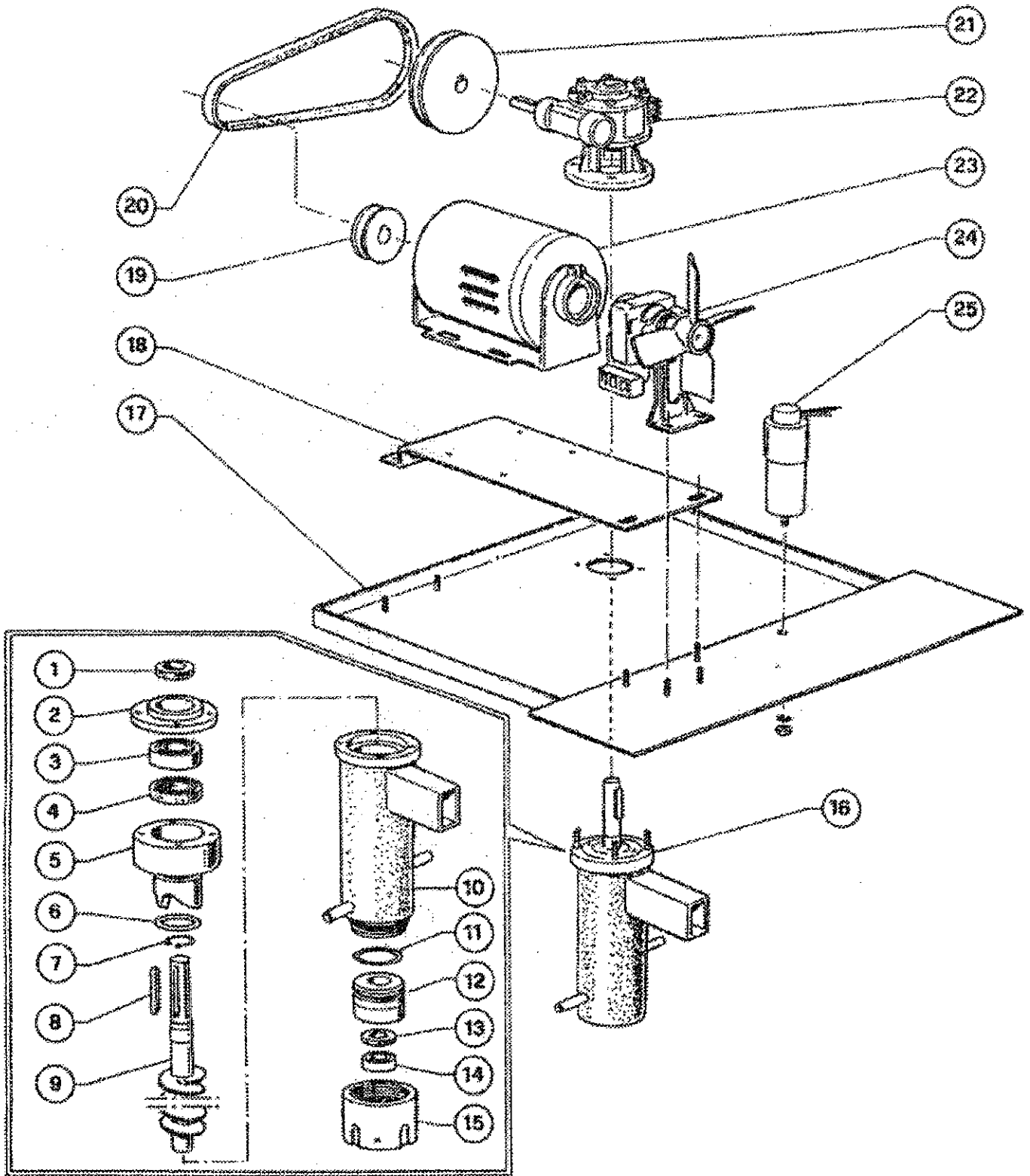
UNITA' CONDENSATRICE AD ACQUA, WATER CONDENSING UNIT

| N° | CODICE - CODE | | A | DESCRIZIONE DESCRIPTION |
|----|---------------|----------|---|--|
| | ES200 | ES320 | | |
| 1 | RB00B149 | | A | COMPRESSORE R404a, R404a COMPRESSOR |
| | | RB00B162 | | |
| 2 | RC00A691 | | A | CONDENSATORE ACQUA, WATER CONDENSER |
| | | RC00A689 | | |
| 3 | RF000543 | RF000543 | A | FILTRO 30 GR., FILTER |
| 4 | RD000509 | RD000509 | A | VENTILATORE EUM 03, FAN EUM 03 |
| 5 | RF000690 | RF000690 | A | VALVOLA BP 1 USCITA LIBERA, WATER VALVE |
| 6 | RF000557 | RF000557 | A | VALVOLA SOLENOIDE, SOLENOID VALVE |
| 7 | RF000615 | RF000615 | A | TERMOSTATO DEPOSITO, BIN THERMOSTAT |
| 8 | RF000618 | RF000618 | A | TERMOSTATO EVAPORATORE, THERMOSTAT FOR EVAPORATOR |
| 9 | RF000621 | RF000621 | A | PRESSOSTATO, PRESSURE CONTROL |
| 10 | RH000717 | RH000717 | A | TUBO CARICO ACQUA, WATER INLET TUBE |
| 11 | RH000708 | RH000708 | A | GUARNIZIONE PER TUBO CARICO ACQUA, GASKET FOR WATER INLET TUBE |
| 12 | RM001093 | RM001093 | A | STAFFA ALLACCIAMENTO IDRICO, WATER CONNECTION BRACKET |
| 13 | RI000736 | RI000736 | A | PASSACAVO PA 107, FAIR LEAD PA 107 |
| 14 | RI000866 | RI000866 | A | CAVO DI ALIMENTAZIONE 3x1,5, POWER INPUT CABLE 3x1,5 |
| 15 | RH000718 | RH000718 | A | TUBO ANTIGELO 10x16, TUBE 10x16 |
| 16 | RH001196 | | A | TUBO ENTRATA ACQUA CONDENSATORE, WATER INLET TUBE FOR CONDENSER |
| 17 | RH001212 | RH001212 | A | TUBO ACQUA EVAPORATORE, WATER TUBE EVAPORATOR |
| 18 | RF00B537 | RF00B537 | A | TERMOSTATO BIMETALLICO, DOUBLE METAL THERMOSTAT |
| 19 | RI003551 | RI003551 | A | SCHEDA ELETTRONICA TIPO E2, LED BOARD TYPE E2 |
| 20 | RH00B559 | RH00B559 | A | SCATOLA PROTEZIONE SCHEDA ELETTRICA, PROTECTION BOX |
| 21 | RB00C321 | | A | CONDENSATORE DI SPUNTO, START CONDENSER |
| | | RB00C320 | | |
| 22 | RB00C323 | | A | RELE', RELAY |
| | | RB00C322 | | |
| 23 | RI000761 | RI000761 | A | RELE', RELAY |
| 24 | RI000694 | RI000694 | A | MORSETTERIA 5+1, TERMINAL BLOK |

ASSIEME EVAPORATORE, EVAPORATOR

CODICE MODELLO - MODEL CODE

ES50 | ES70 | ES100



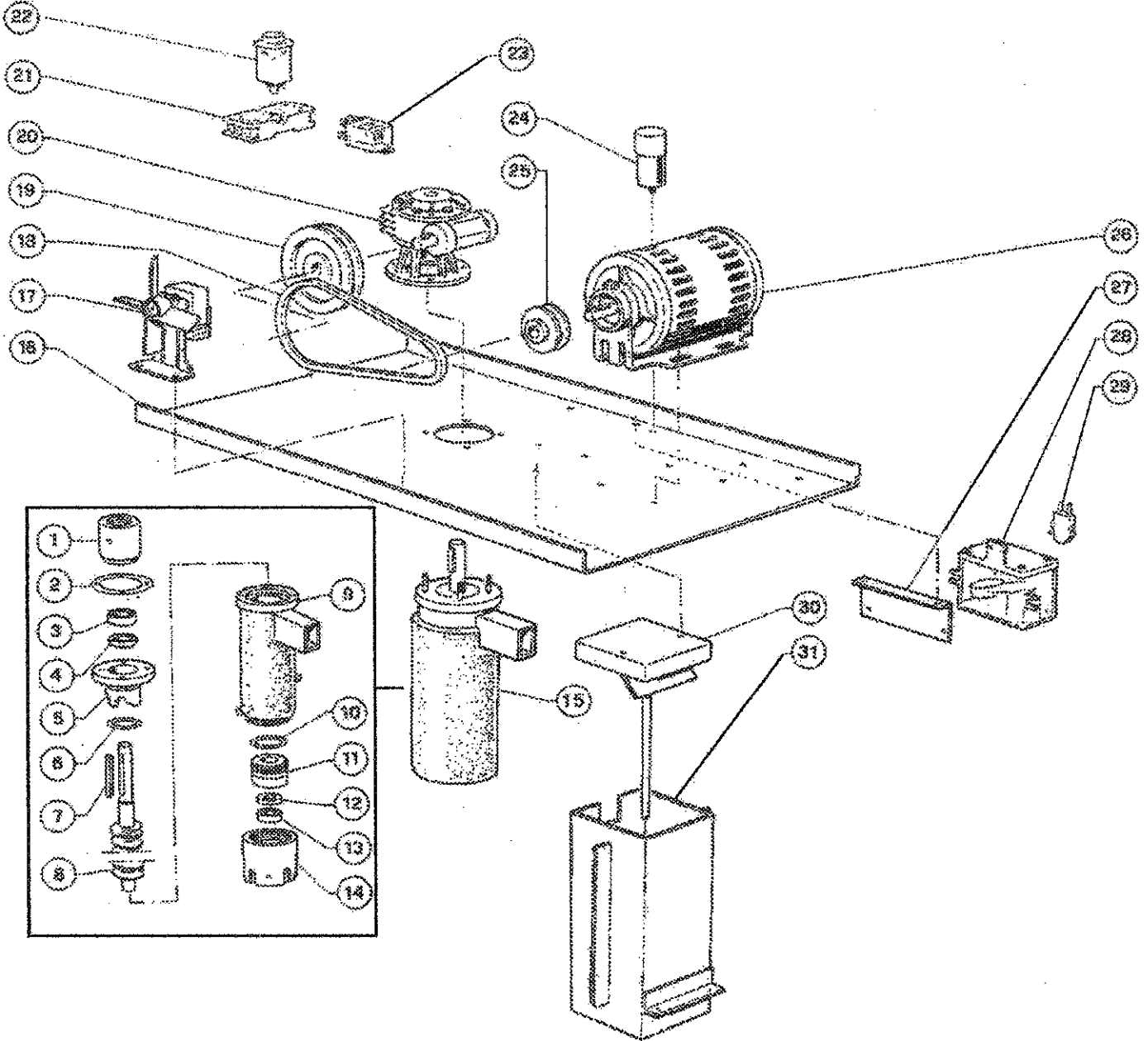
ASSIEME EVAPORATORE, EVAPORATOR

| N° | CODICE - CODE | | | AW | DESCRIZIONE DESCRIPTION |
|----|---------------|----------|----------|----|---|
| | ES50 | ES70 | ES100 | | |
| 1 | RV003315 | RV003315 | RV003315 | AW | CORTECO DPSM 18/28/7, GASKET CORTECO |
| 2 | RV003444 | RV003444 | RV003444 | AW | COPERCHI CUSCINETTO SUPERIORE, PANEL OF THE UPPER BEARING |
| 3 | RV003324 | RV003324 | RV003324 | AW | CUSCINETTO PER EVAPORATORE, BEARING FOR EVAPORATOR |
| 4 | RV003312 | RV003312 | RV003312 | AW | CORTECO DPSM 22/32/7, GASKET CORTECO |
| 5 | RV003458 | RV003458 | RV003458 | AW | GHIERA CON DENTE CENTRALE, RINGNUT WHITH TOOTH |
| 6 | RV003306 | RV003306 | RV003306 | AW | OR 4125 |
| 7 | RV003328 | RV003328 | RV003328 | AW | SIGGER |
| 8 | RV003349 | RV003349 | RV003349 | AW | CHIAVELLA 6X6X60, KEY 6X6X60 |
| 9 | RV003440 | RV003440 | RV003441 | AW | VITE SENZA FINE, WORM SCREW FOR EVAPORATOR |
| 10 | RV003424 | RV003424 | RV003425 | AW | CORPO EVAPORATORE SCHIUMATO, FOAMED EVAPORATOR |
| 11 | RV003306 | RV003306 | RV003306 | AW | OR 4125 |
| 12 | RV003451 | RV003451 | RV003451 | AW | BUSSOLA INFERIORE, LOWER BUSH |
| 13 | RV003311 | RV003311 | RV003311 | AW | CORTECO DPSM 15-24-7, GASKET CORTECO |
| 14 | RV003319 | RV003319 | RV003319 | AW | CUSCINETTO PER EVAPORATORE, BEARING FOR EVAPORATOR |
| 15 | RV003448 | RV003448 | RV003448 | AW | TAPPO INFERIORE, LOWER PLUG |
| 16 | RV003430 | RV003430 | RV003431 | AW | EVAPORATORE COMPLETO, COMPLETE EVAPORATOR |
| 17 | RM003264 | RM003268 | RM003265 | AW | PIANO PORTA RIDUTTORE, RIDUCER HOLDER SUPPORT |
| 18 | RM003256 | RM003256 | | AW | SUPPORTO MOTORE, MOTOR SOPPORT |
| 19 | RV003202 | RV003202 | RV003202 | AW | PULEGGIA DENTATA PER MOTORE, SMALL PULLEY |
| 20 | RV00B075 | RV00B075 | RV00B075 | AW | CINGHIA DENTATA, BELT |
| 21 | RV003203 | RV003203 | RV003203 | AW | PULEGGIA DENTATA PER RIDUTTORE, BIG PULLEY |
| 22 | RG00B141 | RG00B141 | RG00B141 | AW | RIDUTTORE NRV040F, REDUCTION GEAR |
| 23 | RG000647 | RG000647 | RG000647 | AW | MOTORE PER SCAGLIE, ELETTRIC MOTOR |
| 24 | RD000509 | RD000509 | RD000508 | AW | VENTILATORE eum 02/03, FAN eum 02/03 |
| 25 | RG00A635 | RG00A635 | RG00A635 | AW | CONDENSATORE PER MOTORE, CONDENSER FOR MOTOR |

ASSIEME EVAPORATORE, EVAPORATOR

CODICE MODELLO- MODEL CODE

ES200 ES320



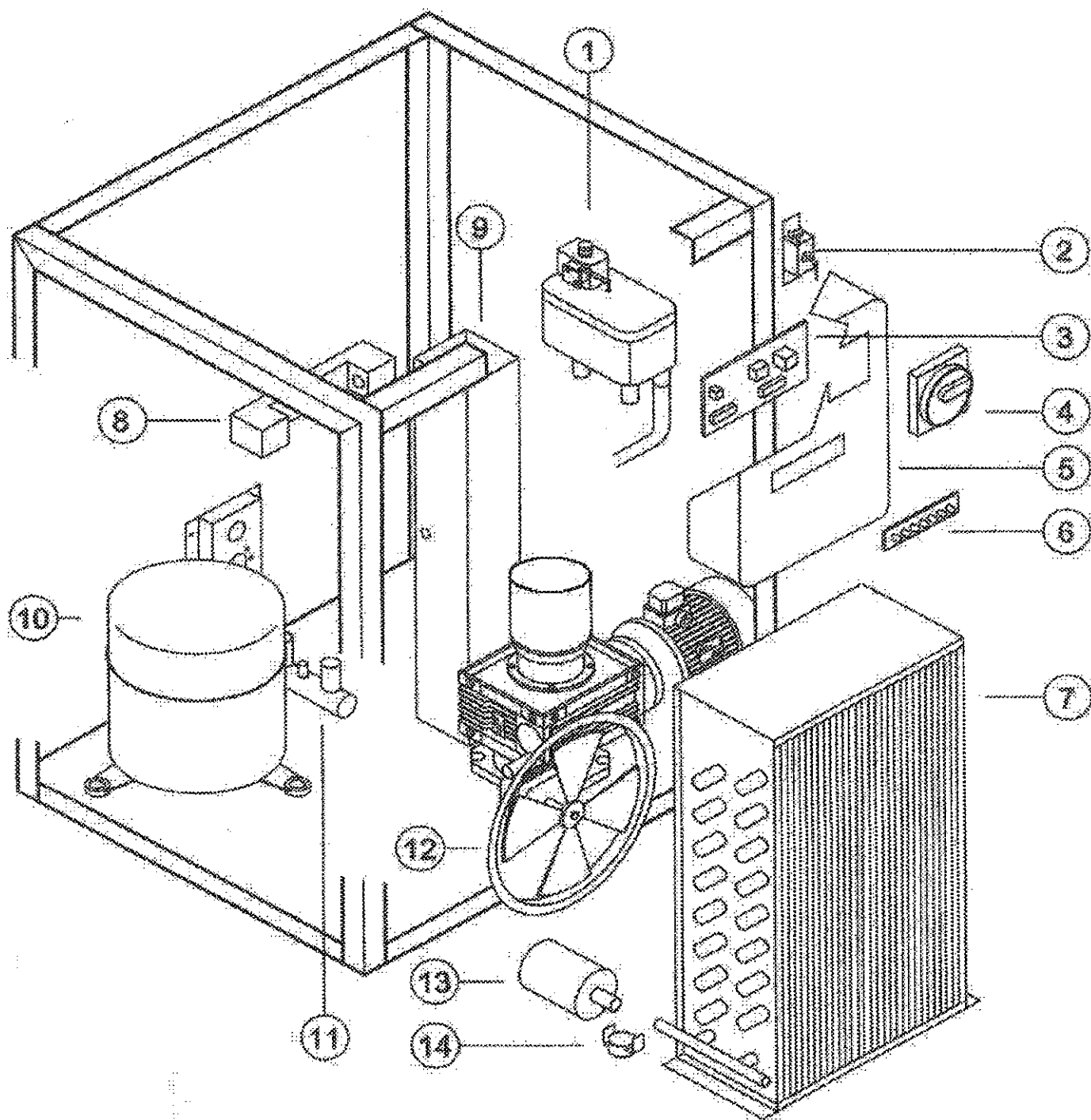
ASSIEME EVAPORATORE, EVAPORATOR

| N° | ES200 | ES320 | CODICE - CODE | | | | | | AW | DESCRIZIONE DESCRIPTION |
|----|----------|----------|---------------|--|--|--|--|--|----|---|
| 1 | RV003439 | RV003439 | | | | | | | AW | ANELLO SERRAGGIO EVAPORATORE, CLAMPING RING |
| 2 | RV003465 | RV003465 | | | | | | | AW | DISCO PER CUSCINETTO EVAPORATORE, SUPPORT FOR |
| 3 | RV003322 | RV003322 | | | | | | | AW | CUSCINETTO PER EVAPORATORE, BEARING FOR EVAPORATOR |
| 4 | RV003314 | RV003314 | | | | | | | AW | CORTECO DPSM 27/377, GASKET CORTECO |
| 5 | RV00A049 | RV00A049 | | | | | | | AW | GHIERA CON DENTE CENTRALE, RINGNUT WHITH TOOTH |
| 6 | RV003307 | RV003307 | | | | | | | AW | OR 4150 |
| 7 | RV003351 | RV003351 | | | | | | | AW | CHIAVELLA 8X7X60, KEY 8X7X60 |
| 8 | RV003442 | RV003442 | | | | | | | AW | VITE SENZA FINE, WORM SCREW FOR EVAPORATOR |
| 9 | RV003426 | RV003426 | | | | | | | AW | CORPO EVAPORATORE SCHUMATO, FOAMED EVAPORATOR |
| 10 | RV003307 | RV003307 | | | | | | | AW | OR 4150 |
| 11 | RV003452 | RV003452 | | | | | | | AW | BUSSOLA INFERIORE, LOWER BUSH |
| 12 | RV003316 | RV003316 | | | | | | | AW | CORTECO DPSM 22 32-7, GASKET CORTECO |
| 13 | RV003324 | RV003324 | | | | | | | AW | CUSCINETTO PER EVAPORATORE, BEARING FOR EVAPORATOR |
| 14 | RV003449 | RV003449 | | | | | | | AW | TAPPO INFERIORE, LOWER PLUG |
| 15 | RV003432 | RV003432 | | | | | | | | EVAPORATORE COMPLETO, COMPLETE EVAPORATOR |
| 16 | RM003267 | RM003267 | | | | | | | AW | PIANO PORTA RIDUTTORE, RIDUCER HOLDER SUPPORT |
| 17 | RD000510 | RD000510 | | | | | | | AW | VENTILATORE eum01, FAN eum01 |
| 18 | RV00B389 | RV00B389 | | | | | | | AW | CINGHIA DENTATA, BELT |
| 19 | RV00A296 | RV00A297 | | | | | | | AW | PULEGGIA DENTATA PER RIDUTTORE, BIG PULLEY |
| 20 | RG00B648 | RG00B647 | | | | | | | AW | RIDUTTORE, REDUCTION GEAR |
| 21 | RF000556 | RF000556 | | | | | | | AW | CONNETTORE PER TEMPORIZZATORE, TIMER CONNECTOR |
| 22 | RF000555 | RF000555 | | | | | | | AW | TEMPORIZZATORE, TIMER |
| 23 | RI000761 | RI000761 | | | | | | | AW | RELE, RELAY |
| 24 | RG000632 | RG000632 | | | | | | | AW | CONDENSATORE PER MOTORE, CONDENSER FOR MOTOR |
| 25 | RV00A299 | RV00A299 | | | | | | | AW | PULEGGIA MOTORE, SMALL PULEGGIA |
| 26 | RG000650 | RG000650 | | | | | | | AW | MOTORE PER SCAGLIE, ELECTRIC MOTOR |
| 27 | RM003277 | RM003277 | | | | | | | AW | SUPPORTO GALLEGGIANTE, FLOAT SUPPORT |
| 28 | RH000828 | RH000828 | | | | | | | AW | GALLEGGIANTE, FLOAT BALL |
| 29 | RI000800 | RI000800 | | | | | | | AW | MICRO GALLEGGIANTE, FLOAT BALL MICRO SWITCH |
| 30 | RM001095 | RM001095 | | | | | | | AW | COPERCHIO CONVOGLIATORE, SUPPORT UPPER PANEL |
| 31 | RM001094 | RM001094 | | | | | | | AW | CONVOGLIATORE COMPLETO, COMPLETE SUPPORT |

PRODUTTORE DI GHIACCIO GRANULARE ES600, ICEFLAKERS ES600

CODICE MODELLI- MODEL CODE

ES 600



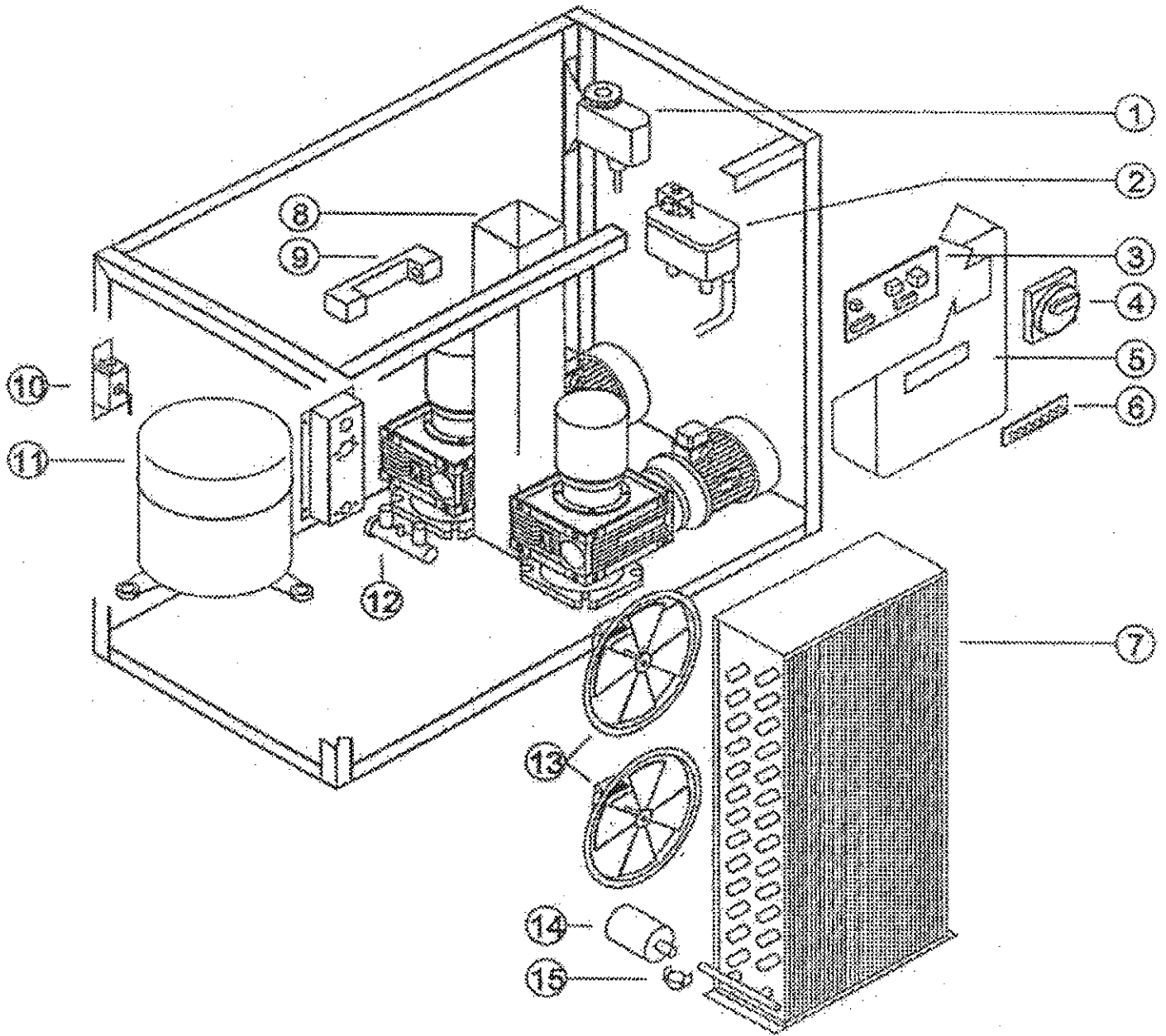
PRODUTTORE DI GHIACCIO GRANULARE ES600, ICEFLAKERS ES600

| N° | ES600 | CODICE - CODE | W | DESCRIZIONE DESCRIPTION |
|--------|----------|---------------|---|--|
| 1 | RH000828 | | W | GALLEGGIANTE, FLOAT BALL |
| 2 | RF000621 | | W | PRESSOSTATO, PRESSURE CONTROL |
| 3 | RI00B510 | | W | SCHEDA ELETTRONICA E3IR, LED BOARD E3IR |
| 4 | RI00B672 | | W | INTERRUTTORE (220V), SWITCH (220V) |
| 4bis | RI00B673 | | W | INTERRUTTORE (380V), SWITCH (380V) |
| 5 | RI00B560 | | W | PANNELLO COMANDI ELETTRICI (220v), BOX FOR ELECTRICAL PARTS (220v) |
| 5 bis | RI00B491 | | W | PANNELLO COMANDI ELETTRICI (380v), BOX FOR ELECTRICAL PARTS (380v) |
| 6 | RI00B511 | | W | SCHEDA ELETTRONICA EE1, LED BOARD EE1 |
| 7 | RC00A717 | | W | CONDENSATORE AD ARIA, AIR CONDENSER |
| 8 | RML0B474 | | W | SUPPORTO RILEVATORI, FILLING DETECTING UNITS |
| 9 | RH00B515 | | W | CONDOTTO, SUPPORT |
| 10 | RB00A408 | | W | COMPRESSORE(220v), COMPRESSOR(220v) |
| 10 bis | RB00B552 | | W | COMPRESSORE(380v), COMPRESSOR(220v) |
| 11 | RH000665 | | W | COLLETORE SCARICO ACQUA, NYLON WATER OUTLET |
| 12 | RD00B462 | | W | VENTOLA+MOTORE+ FLANGIA, FAN MOTOR |
| 13 | RF00B128 | | W | FILTRO MOLECOLARE, FILTER |
| 14 | RF00B537 | | W | TERMOSTATO BIMETALLICO, DOUBLE METAL THERMOSTAT |

PRODUTTORE DI GHIACCIO GRANULARE ES1100, ICEFLAKERS ES1100

CODICE MODELLI- MODEL CODE

ES 1100

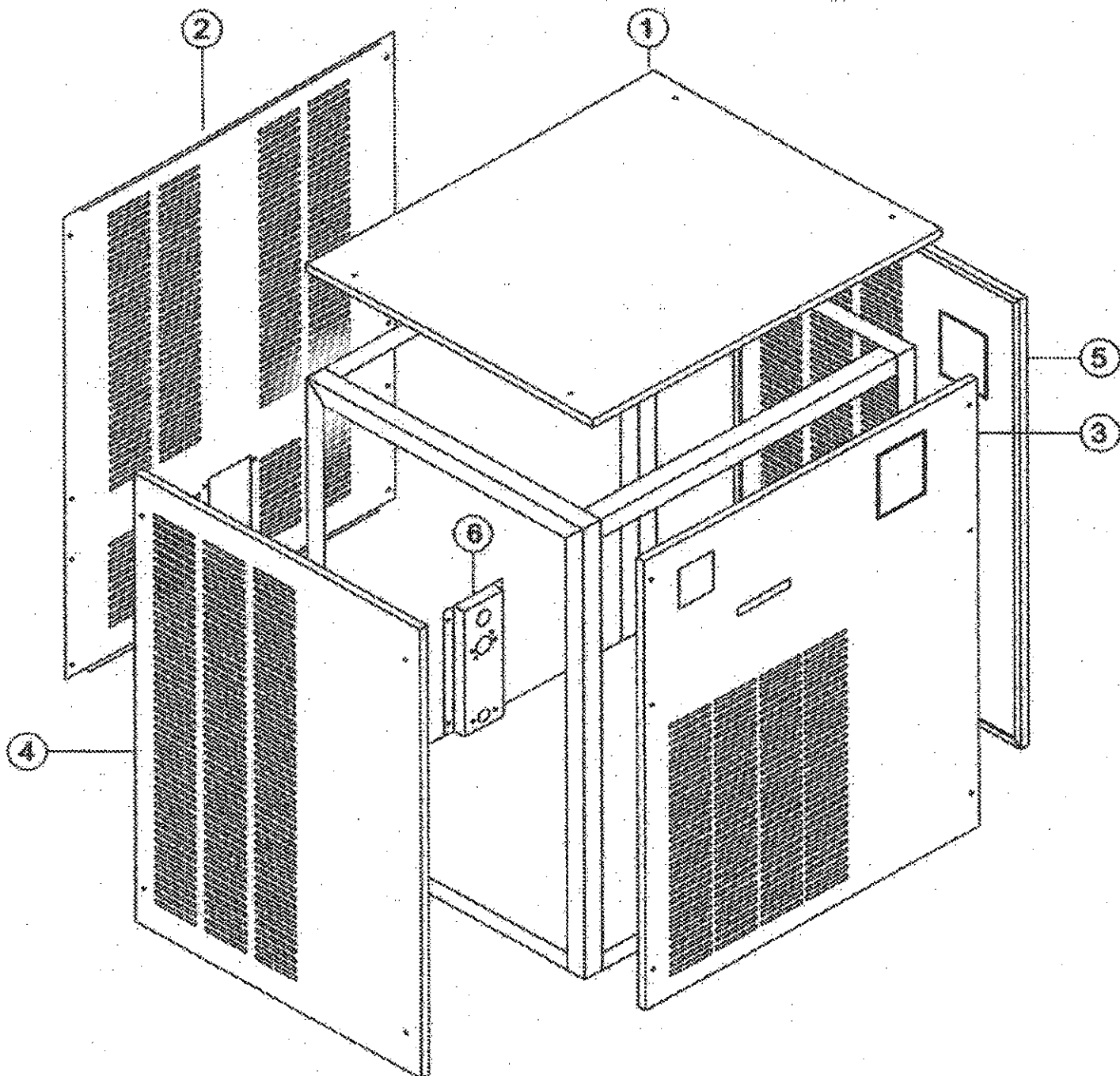


PRODUTTORE DI GHIACCIO GRANULARE ES1100, ICEFLAKERS ES1100

| N° | ES 1100 | CODICE - CODE | A | DESCRIZIONE DESCRIPTION |
|----|----------|---------------|---|--|
| 1 | RF00B633 | | A | PRESSOSTATO, PRESSURE CONTROL |
| 2 | RH00B632 | | A | GALLEGGIANTE, FLOAT BALL |
| 3 | RI00B510 | | A | SCHEDA ELETTRONICA E3IR, LED BOARD E3IR |
| 4 | RI00B673 | | A | INTERRUTTORE (380V), SWITCH (380V) |
| 5 | RI00B652 | | A | PANNELLO COMANDI ELETTRICI, BOX FOR ELECTRICAL PARTS |
| 6 | RI00B511 | | A | SCHEDA ELETTRONICA EE1, LED BOARD EE1 |
| 7 | RC00B581 | | A | CONDENSATORE AD ARIA, AIR CONDENSER |
| 8 | RH00B515 | | A | CONDOTTO, SUPPORTO |
| 9 | RML0B474 | | A | SUPPORTO RILEVATORI, FILLING DETECTING UNITS |
| 10 | RF000621 | | A | PRESSOSTATO, PRESSURE CONTROL |
| 11 | RB00B631 | | A | COMPRESSORE, COMPRESSOR |
| 12 | RH000665 | | A | COLLETORE SCARICO ACQUA, NYLON WATER OUTLET |
| 13 | RD00B462 | | A | VENTOLA+MOTORE+ FLANGIA, FAN MOTOR |
| 14 | RF00B650 | | A | FILTRO MOLECOLARE, FILTER |
| 15 | RF00B537 | | A | TERMOSTATO BIMETALLICO, DOUBLE METAL THERMOSTAT |

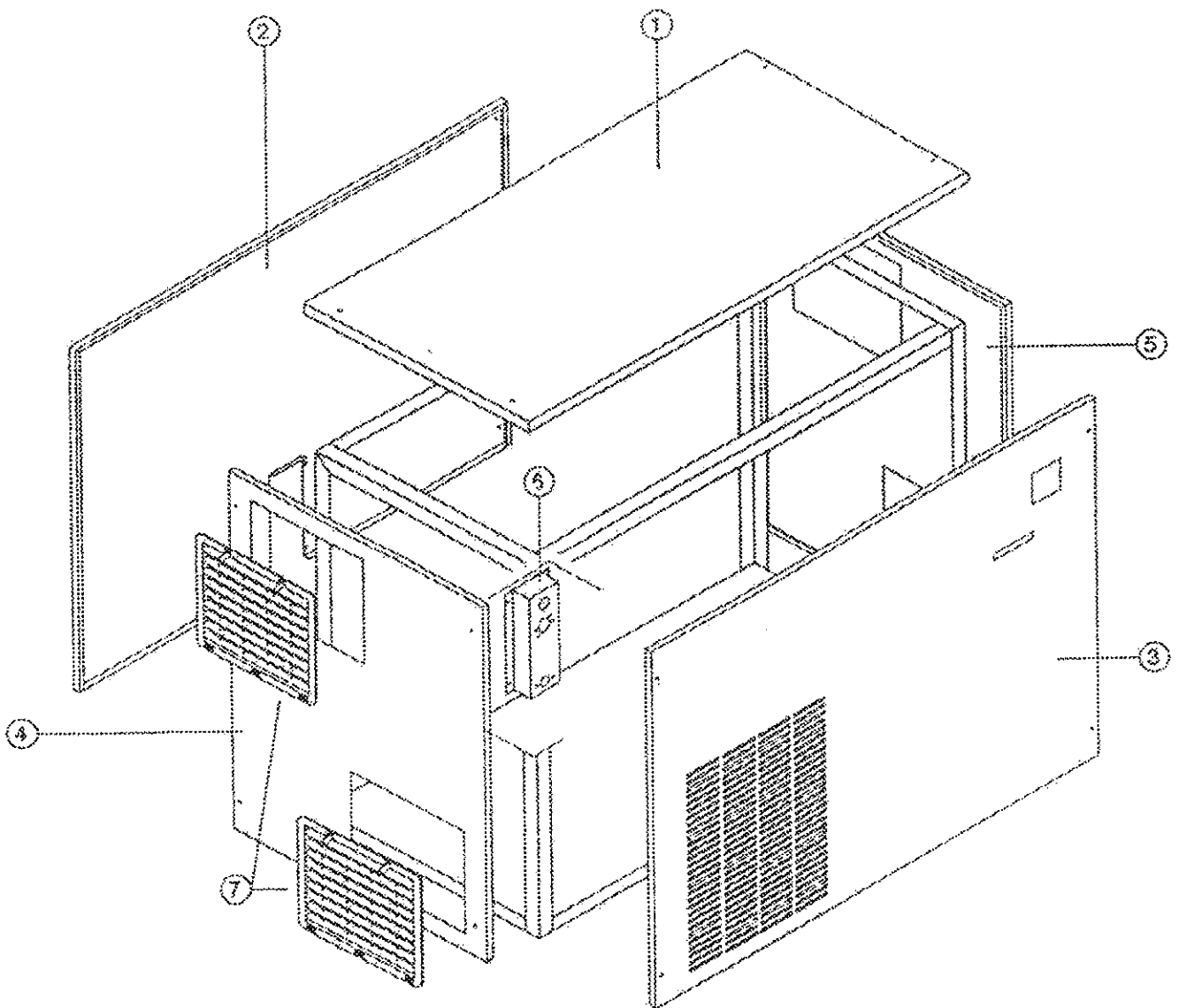
CARROZZERIA PRODUTTORE GHIACCIO GRANULARE ES600, CABINET FOR ICEFLAKERS ES600

| N° | ES600 | CODICE - CODE | A-W | DESCRIZIONE DESCRIPTION |
|----|----------|---------------|-----|--|
| 1 | RMI0C153 | | A-W | COPERCHIO, UPPER PANEL |
| 2 | RMI0B645 | | A-W | PANNELLO POSTERIORE, POSTERIOR PANEL |
| 3 | RMI0B488 | | A-W | PANNELLO FRONTALE, FRONTAL PANEL |
| 4 | RMI0C155 | | A-W | PANNELLO LATERALE SINISTRO, LEFT LATERAL PANEL |
| 5 | RMI0C154 | | A-W | PANNELLO LATERALE DESTRO, RIGHT LATERAL PANEL |
| 6 | RM00C156 | | A-W | STAFFA FISSAGGIO RACCORDI, FLAG FOR CONDENSER UNIT |



CARROZZERIA PRODUTTORE GHIACCIO GRANULARE ES1100, CABINET FOR ICEFLAKERS ES1100

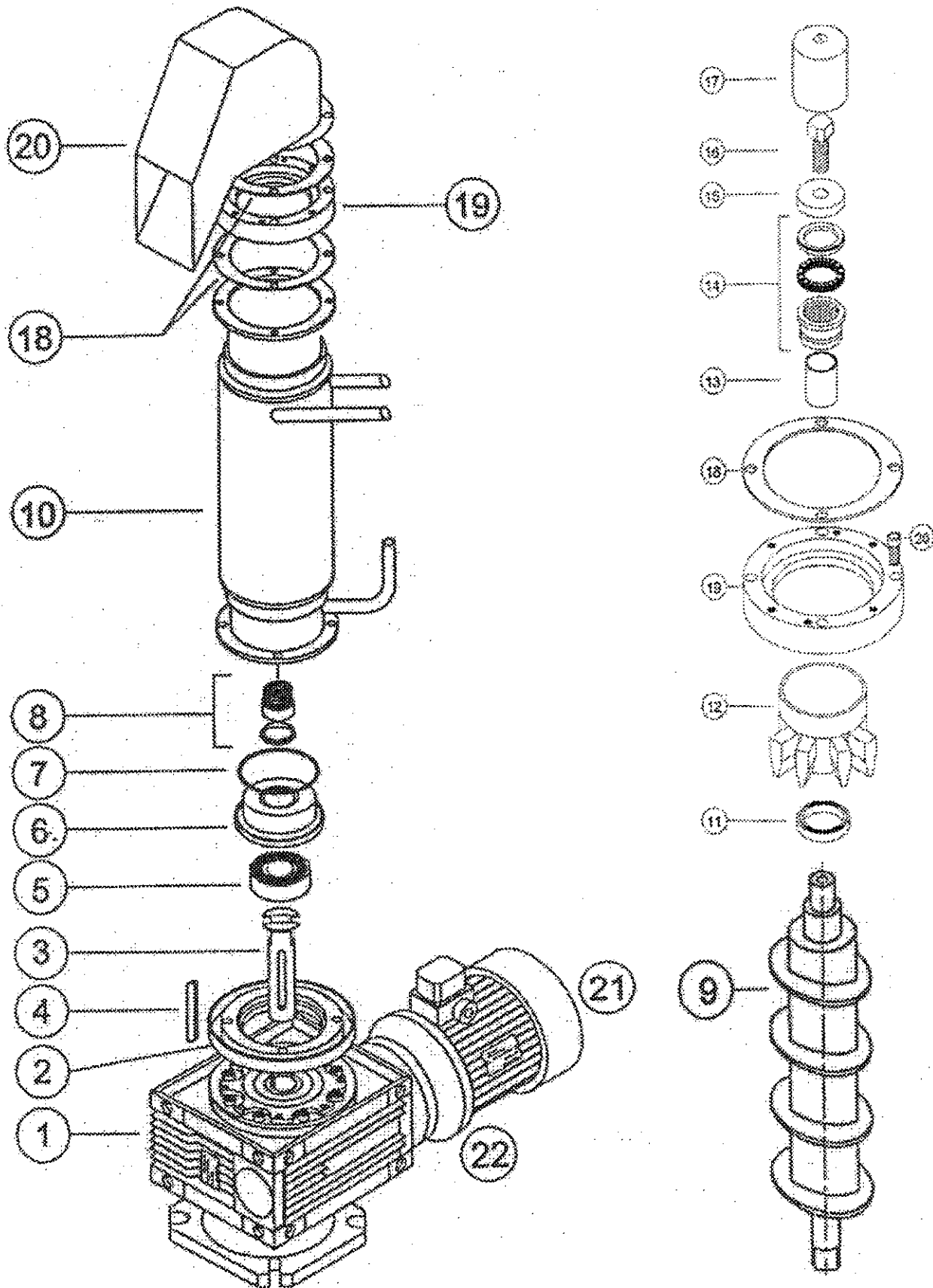
| N° | ES1100 | CODICE - CODE | A-W | DESCRIZIONE DESCRIPTION |
|----|----------|---------------|-----|--|
| 1 | RMI0B610 | | A-W | COPERCHIO, UPPER PANEL |
| 2 | RML0B612 | | A-W | PANNELLO POSTERIORE, POSTERIOR PANEL |
| 3 | RMI0B609 | | A-W | PANNELLO FRONTALE, FRONTAL PANEL |
| 4 | RMI0B607 | | A-W | PANNELLO LATERALE SINISTRO, LEFT LATERAL PANEL |
| 5 | RMI0B608 | | A-W | PANNELLO LATERALE DESTRO, RIGHT LATERAL PANEL |
| 6 | RML0B613 | | A-W | STAFFA FISSAGGIO RACCORDI, FLAG FOR CONDENSER UNIT |
| 7 | RN00B333 | | A-W | GRIGLIA BLU PER FIANCO, BLU GRILL FOR LATERAL |



ASSIEME EVAPORATORE ES1100 ES600(380v), EVAPOR SET ES1100 ES600(380V)

CODICE MODELLI- MODEL CODE

ES1100 | ES 600



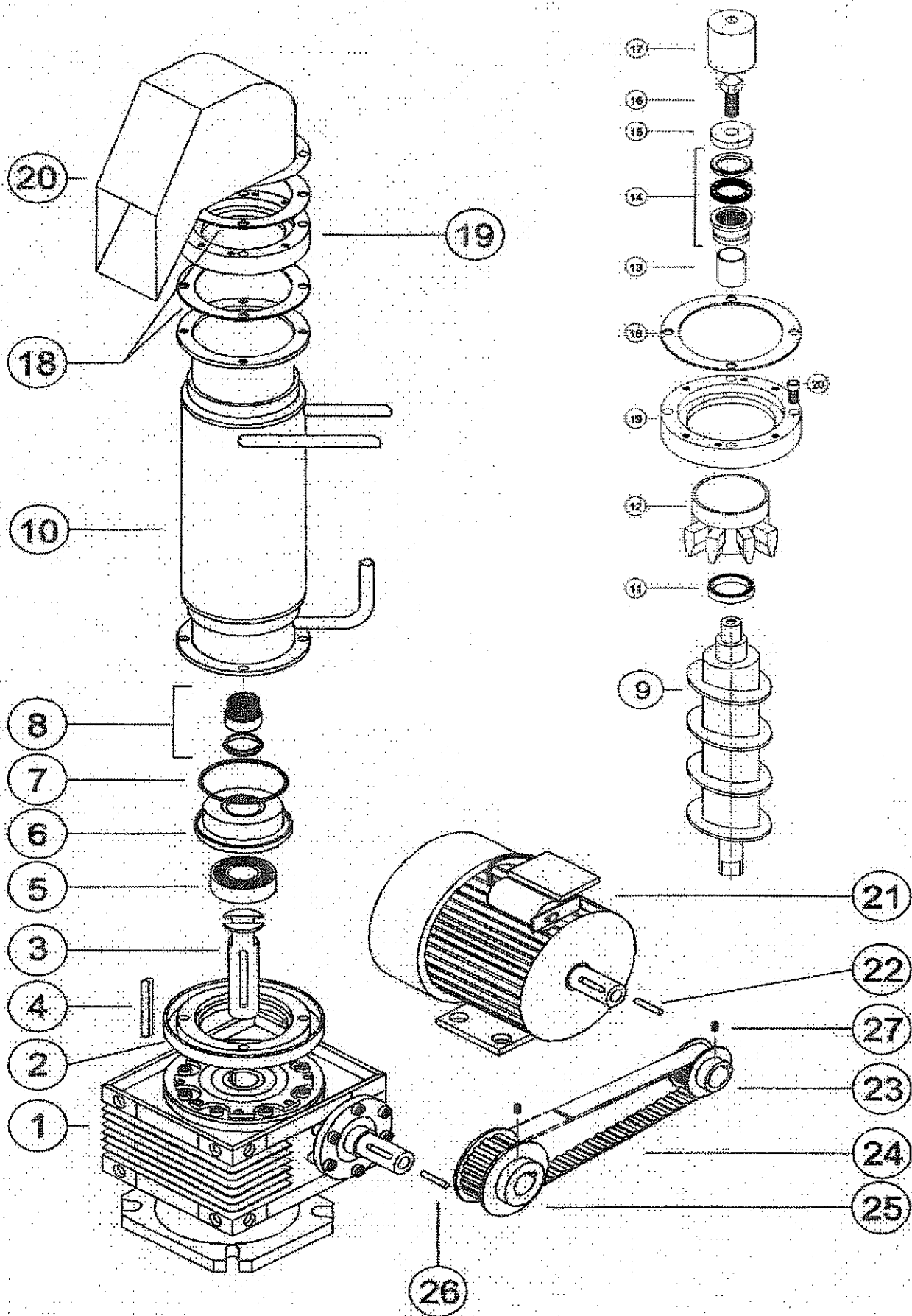
ASSIEME EVAPORATORE ES1100 ES600(380V), EVAPOR SET ES1100 ES600(380V)

| N° | CODICE - CODE | | A-W | DESCRIZIONE DESCRIPTION |
|----|---------------|----------|-----|---|
| | ES1100 | ES 600 | | |
| 1 | RG00B467 | RG00B467 | A-W | Riduttore a vite NRV100F, Screw Reducer |
| 2 | RV00A750 | RV00A751 | A-W | Flangia Isolante Evaporatore, Evaporator Flange |
| 3 | RV00A753 | RV00A753 | A-W | Giunto Riduttore, Reducer Joint |
| 4 | RV00B156 | RV00B156 | A-W | Chiavetta per Giunto, Joint Key |
| 5 | RV00A764 | RV00A764 | A-W | Cuscinetto del Fondo Evap., Bearing |
| 6 | RV00A751 | RV00A751 | A-W | FONDO EVAPORATORE, EVAPORATOR BASE |
| 7 | RV00B115 | RV00B115 | A-W | OR FONDO EVAPORATORE, OR RING |
| 8 | RV00B114 | RV00B114 | A-W | GUARNIZIONE ROTEN, HOLDING GASKET |
| 9 | RV00A741 | RV00A741 | A-W | VITE SENZA FINE, WORM SCREW |
| 10 | RV00A749 | RV00A749 | A-W | GRUPPO EVAPORATORE, SET EVAPORATOR |
| 11 | RV00A768 | RV00A768 | A-W | CORTECO TRAFILA, CORTECO RING |
| 12 | RV00A752 | RV00A752 | A-W | TRAFILA 9 DENTI, ICE BREAKING KNIFE |
| 13 | RV00A767 | RV00A767 | A-W | ANELLO INTERNO, INTERNAL RING |
| 14 | RV00A765 | RV00A765 | A-W | CUSCINETTO SUPERIORE, TOP BEARING |
| 15 | RV00A754 | RV00A754 | A-W | SPALLAMENTO CUSCINETTO SUPERIORE, SPACER FOR TOP BEARING |
| 16 | RR00A757 | RR00A757 | A-W | VITE BRUNITA, BURNISHED SCREW |
| 17 | RV00A760 | RV00A760 | A-W | CAPPUCCIO PROTEZIONE SUPERIORE, SAFETY CAP FOR TOP BEARING |
| 18 | RV00B105 | RV00B105 | A-W | GUARNIZIONE ANELLO TRAFILA, GASKET RING |
| 19 | RV00A762 | RV00A762 | A-W | ANELLO SERRAGGIO TRAFILA, GASKET RING |
| 20 | RH00B584 | RH00B584 | A-W | TRAMOGGIA PER INTERNO, INTERNAL HOPPER |
| 21 | RG00B468 | RG00B468 | A-W | MOTORE TRIFASE 0,55kw, ELECTRIC MOTOR 0,55kw |
| 22 | RG00B469 | RG00B469 | A-W | MOTORIDUTTORE + MOTORE, MOTOR+SCREW REDUCER |

ASSIEME EVAPORATORE ES600(220 v), EVAPOR SET ES600(220 v)

CODICE MODELLI-MODEL CODE

ES 600



ASSIEME EVAPORATORE ES600(220 v), EVAPOR SET ES600(220 v)

| N° | ES600 | CODICE - CODE | | | | | | | A-W | DESCRIZIONE DESCRIPTION |
|----|----------|---------------|--|--|--|--|--|--|-----|---|
| 1 | RG00B142 | | | | | | | | A-W | Riduttore a vite NRV075F, Screw Reducer |
| 2 | RV00A750 | | | | | | | | A-W | Flangia Isolante Evaporatore, Evaporator Flange |
| 3 | RV00A753 | | | | | | | | A-W | Giunto Riduttore, Reducer Joint |
| 4 | RV00B156 | | | | | | | | A-W | CHIAVETTA PER GIUNTO, JOINT KEY |
| 5 | RV00A764 | | | | | | | | A-W | Cuscinetto del Fondo Evap., Bearing |
| 6 | RV00A751 | | | | | | | | A-W | FONDO EVAPORATORE, EVAPORATOR BASE |
| 7 | RV00B115 | | | | | | | | A-W | OR FONDO EVAPORATORE, OR RING |
| 8 | RV00B114 | | | | | | | | A-W | GUARNIZIONE ROTEN, HOLDING GASKET |
| 9 | RV00A741 | | | | | | | | A-W | VITE SENZA FINE, WORM SCREW |
| 10 | RV00A749 | | | | | | | | A-W | GRUPPO EVAPORATORE, SET EVAPORATOR |
| 11 | RV00A768 | | | | | | | | A-W | CORTECO TRAFILA, CORTECO RING |
| 12 | RV00A752 | | | | | | | | A-W | TRAFILA 9 DENTI, ICE BREAKING KNIFE |
| 13 | RV00A767 | | | | | | | | A-W | ANELLO INTERNO, INTERNAL RING |
| 14 | RV00A765 | | | | | | | | A-W | CUSCINETTO SUPERIORE, TOP BEARING |
| 15 | RV00A754 | | | | | | | | A-W | SPALLAMENTO CUSCINETTO SUPERIORE, SPACER FOR TOP BEARING |
| 16 | RR00A757 | | | | | | | | A-W | VITE BRUNITA, BURNISHED SCREW |
| 17 | RV00A760 | | | | | | | | A-W | CAPPUCCIO PROTEZIONE SUPERIORE, SAFETY CAP FOR TOP BEARING |
| 18 | RV00B105 | | | | | | | | A-W | GUARNIZIONE ANELLO TRAFILA, GASKET RING |
| 19 | RV00A762 | | | | | | | | A-W | ANELLO SERRAGGIO TRAFILA, GASKET RING |
| 20 | RH00B584 | | | | | | | | A-W | TRAMOGGIA PER INTERNO, INTERNAL HOPPER |
| 21 | RG00B468 | | | | | | | | A-W | MOTORE TRIFASE 0,55kw, ELECTRIC MOTOR 0,55kw |
| 22 | RV00B268 | | | | | | | | A-W | CHIAVETTA PER GIUNTO, JOINT KEY |
| 23 | RV00B242 | | | | | | | | A-W | PULEGGIA DENTATA MOTORE, DRIVING PULLEY |
| 24 | RV00A758 | | | | | | | | A-W | CINGHIA DENTATA, TOOTHED BELT |
| 25 | RV00B243 | | | | | | | | A-W | PULEGGIA DENTATA RIDUTTORE, REDUCTOR PULLEY |
| 26 | RV00B269 | | | | | | | | A-W | CHIAVETTA PER RIDUTTORE, JOINT KEY |
| 27 | RR002071 | | | | | | | | | GRANO INOX 5X8, INOX GRAIN |



VIA DON STURZO, 20 - 20020 LAINATE (MI) - ITALY
TEL. ++39.0293571515 r.a. - FAX +39.0293571521
<http://www.eurfrigor.it>
E-mail: info@eurfrigor.it