



eurfrigor[®] s.r.l.

**PRODUTTORI AUTOMATICI DI GHIACCIO
ICE MAKERS**

**LISTINO PARTI DI RICAMBIO
SPARE PARTS PRICE LIST**

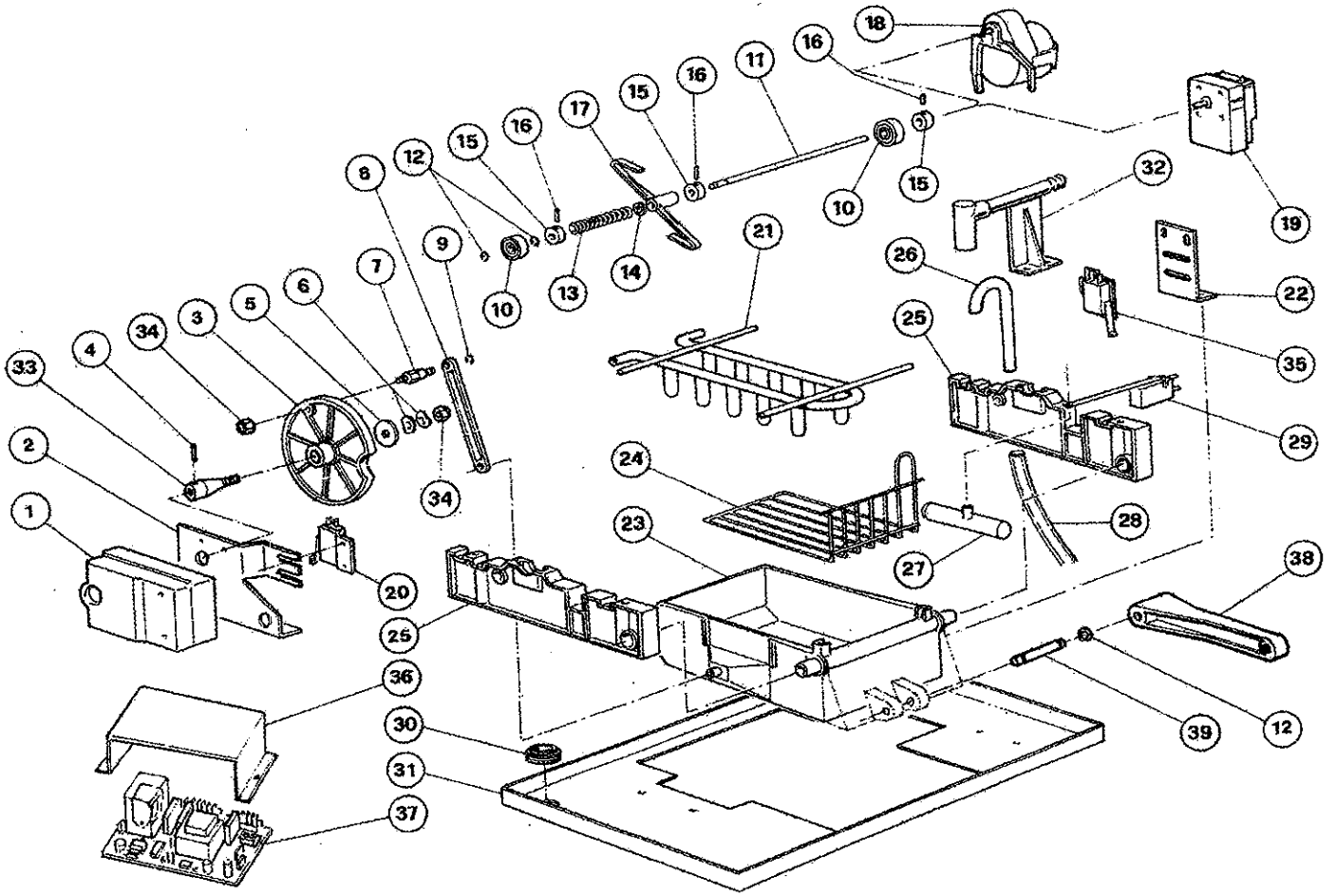
SERIE EC/ES

01/03/2005

BASE EVAPORATORE - BASE EVAPORATOR

CODICE - CODE

EC14 | EC20 | EC30 | EC40 | EC50 | EC60 | EC80 | EC130 | ECF30 | ECF40 | ECF60



BASE EVAPORATORE - BASE EVAPORATOR

N°	CODICE - CODE											A-W	DESCRIZIONE DESCRIPTION	
	EC14	EC20	EC30	EC40	EC50	EC60	EC80	EC130	ECF30	ECF40	ECF60			
1	RG00A684	RG00A684	RG00A684	RG00A684	RG00A684	RG00A684	RG00A684	RG00A684	RG00A684	RG00A684	RG00A684	RG00A684	A-W	MOTORIDUTTORE 123MR GEAR
2	RM003675												A-W	PIASTRA SUPPORTO MOTORIDUTTORE GEARMOTOR SUPPORT
		RM00A113	RM00A113	RM00A113	RM00A113	RM00A113	RM00A113	RM00A113	RM00A113	RM00A113	RM00A113	RM00A113		
3	RH003620	RH003620	RH003620	RH003620	RH003620	RH003620	RH003620	RH003620	RH003620	RH003620	RH003620	RH003620	A-W	CAMME SENZA INSERTI CAMS
4	RR003645	RR003645	RR003645	RR003645	RR003645	RR003645	RR003645	RR003645	RR003645	RR003645	RR003645	RR003645	A-W	SPINA ELASTICA INOX 3x16 LOOK PIN 3x16
5	RR002079	RR002079	RR002079	RR002079	RR002079	RR002079	RR002079	RR002079	RR002079	RR002079	RR002079	RR002079	A-W	RONDELLA ZINCATA PIANA 6x24x2 WASHER
6	RR003635	RR003635	RR003635	RR003635	RR003635					RR003635	RR003635		A-W	MOLLA TAZZA SPRING
						RR002126	RR002126	RR002126				RR002126		
7	RQ003626	RQ003626	RQ003626	RQ003626	RQ003626	RQ003626	RQ003626	RQ003626	RQ003626	RQ003626	RQ003626	RQ003626	A-W	SPINOTTO BIELLA PIN FOR ROD
8	RH003618												A-W	BIELLA PER TESTATA ROD
9	RR003631	RR003631	RR003631	RR003631	RR003631	RR003631	RR003631	RR003631	RR003631	RR003631	RR003631	RR003631	A-W	BENZING D8 BENZING RING D6
10	RV003647	RV003647	RV003647	RV003647	RV003647	RV003647	RV003647	RV003647	RV003647	RV003647	RV003647	RV003647	A-W	CUSCINETTO 628 2RS BEARING 628 2RS
11	RQ003625												A-W	ALBERO PALETTE INOX, PADDEL SHAFT
		RQ00A029	RQ00A029							RQ00A029				
				RQ00A030	RQ00A030						RQ00A030			
						RQ00A062						RQ00A062		
							RQ00A075							
							RQ00A063							
12	RR003644	RR003644	RR003644	RR003644	RR003644	RR003644	RR003644	RR003644	RR003644	RR003644	RR003644	RR003644	A-W	BENZING PER D4 PER ALBERO PALETTE BENZING RING D4 FOR PADDLE SHAFT
13	RR003629	RR003629	RR003629	RR003629	RR003629	RR003629	RR003629	RR003629	RR003629	RR003629	RR003629	RR003629	A-W	MOLLA PER ALBERO PALETTE PADDLE SHAFT SPRING
14	RH001168	RH001168	RH001168	RH001168	RH001168	RH001168	RH001168	RH001168	RH001168	RH001168	RH001168	RH001168	A-W	DISTANSIALE ABS5044 ABS BUSH
15	RQ001152	RQ001152	RQ001152	RQ001152	RQ001152	RQ001152	RQ001152	RQ001152	RQ001152	RQ001152	RQ001152	RQ001152	A-W	BUSSOLA OTTONE FERMO ALBERO PALETTE BUSH
16	RR003646	RR003646	RR003646	RR003646	RR003646	RR003646	RR003646	RR003646	RR003646	RR003646	RR003646	RR003646	A-W	GRANO INOX 4x6 A PUNTA INOX DOWELL 4x6
17	RH000675	RH000675	RH000675	RH000675	RH000675	RH000675	RH000675	RH000675	RH000675	RH000675	RH000675	RH000675	A-W	AGITATORE TIPO STRETTO NYLON PADDLER
18	RG00B534												A-W	MOTORIDUTTORE A PALETTE PADDLE GEAR MOTOR
19		RG000636	RG000636	RG000636	RG000636	RG000636	RG000636	RG000636	RG000636	RG000636	RG000636	RG000636	A-W	MOTORIDUTTORE PALETTE 50 RPM, PADDLE GEAR MOTOR 50 RPM MICRO
20	RH003800	RH003800	RH003800	RH003800	RH003800	RH003800	RH003800	RH003800	RH003800	RH003800	RH003800	RH003800	A-W	IMPULSI-STAFFA COMPLETO, COMPLETE MICRO SWITCH
21	RC00A400												A-W	EVAPORATORE EVAPORATOR
		RC00A402	RC00A402								RC00A402			
				RC00A403	RC00A403							RC00A403		
						RC00A404						RC00A404		
							RC00A405							
							RC00A406							
22	RH001070	RH001070	RH001070	RH001070	RH001070	RH001070	RH001070	RH001070	RH001070	RH001070	RH001070	RH001070	A-W	STAFFA ABS SUPPORTO MICRO GALLEGGIANTE PLASTIC SUPPORT
23	RM003621												A-W	BACINELLA ACQUA TILTING
		RH00A005	RH00A005									RH00A005		
				RH00A006	RH00A006							RH00A006		
						RM00A050						RM00A050		
							RM00A079							
							RM00A047							

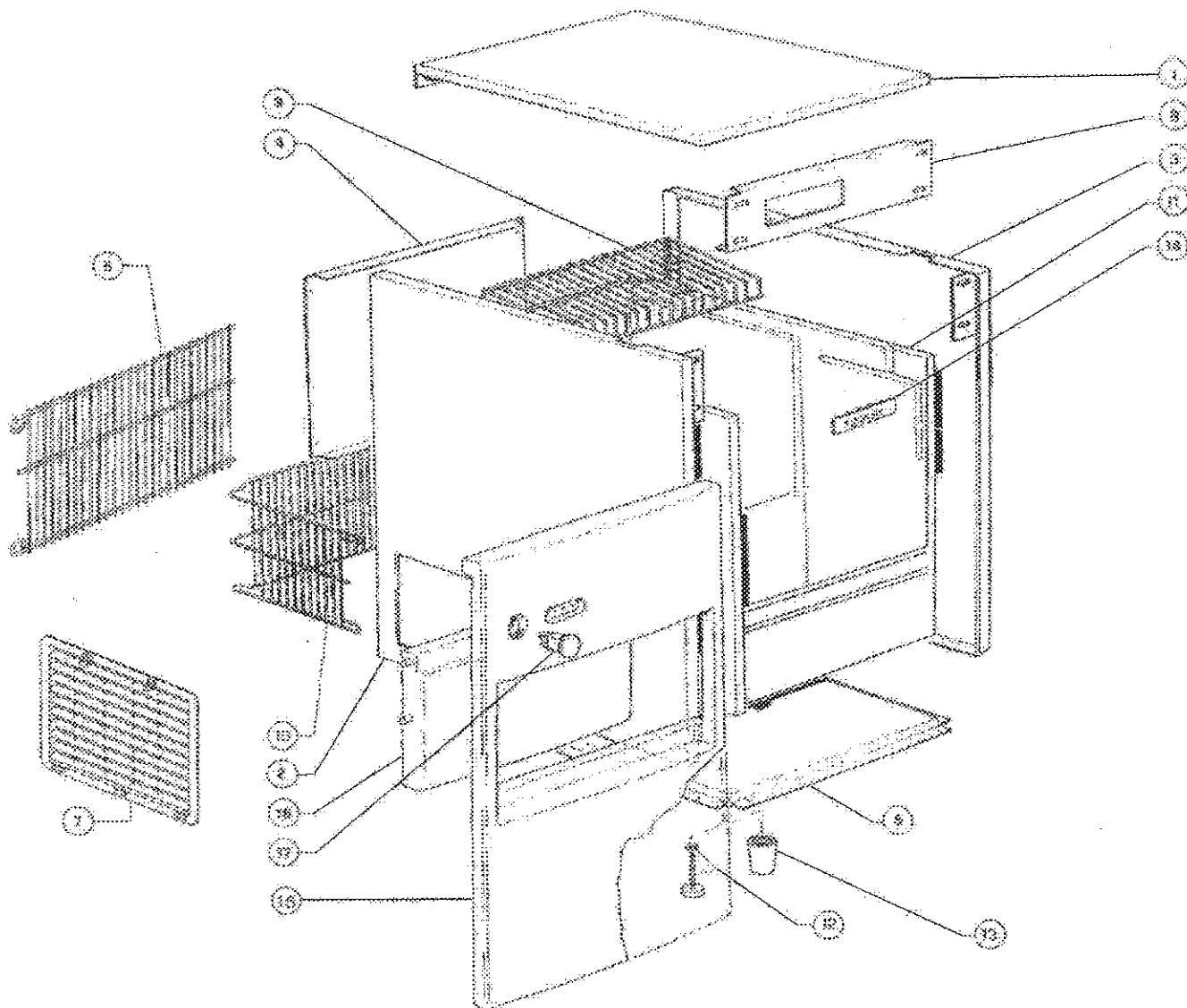
BASE EVAPORATORE - BASE EVAPORATOR

N°	CODICE - CODE											A-W	DESCRIZIONE DESCRIPTION	
	EC14	EC20	EC30	EC40	EC50	EC60	EC80	EC130	ECF30	ECF40	ECF60			
24	RN003613												A-W	CONTROBACINELLA GRILL FOR TILTING
		RN00A017	RN00A017							RN00A017				
				RN00A018	RN00A018						RN00A018			
						RN00A410						RN00A410		
							RN00A411							
25	RH003616	RH003616	RH003616	RH003616	RH003616	RH003616	RH003616	RH003616	RH003616	RH003616	RH003616	RH003616	A-W	SPALLETTA IN PLASTICA PER
26	RH003615												A-W	GOMITO CARICO ACQUA ELBOW FOR WATER LOADING
27	RH000679	RH000679	RH000679	RH000679	RH000679	RH000679	RH000679	RH000679	RH000679	RH000679	RH000679	RH000679	A-W	GALLEGGIANTE SINGOLO FLOAT BALL
28	RH001198												A-W	TUBO ENTRATA ACQUA CONDENSATORE BACINELLA WATER INLET TUBE
		RH001195												
			RH001197	RH001197							RH001197			
					RH001200	RH001200						RH001200		
29	RH00A310	RH00A310	RH00A310	RH00A310	RH00A310	RH00A310	RH00A310	RH00A310	RH00A310	RH00A310	RH00A310	RH00A310	A-W	MICROGALLEGGIANTE COMPLETO, COMPLETE FLOAT BALL MICRO SWITCH
30	RI00B144												A-W	PASSACAVO FAIR LEAD
31	RM003605												A-W	RIPIANO FISSAGGIO EVAPORATORE, SUPPORT FOR EVAPORATOR
		RM00B538	RM00B538									RM00B538		
				RM00B717								RM00B717		
					RM00A095									
						RM00A012						RM00A012		
							RM00B325							
32		RH001080	RH001080	RH001080	RH001080	RH001080	RH001080			RH001080	RH001080	RH001080	A-W	CARICO ACQUA BACINELLA ABS WATER INLET TUBE FOR TILTING
								RH001081						
33	RQ003619	RQ003619	RQ003619	RQ003619	RQ003619	RQ003619	RQ003619	RQ003619	RQ003619	RQ003619	RQ003619	RQ003619	A-W	ALBERO FRIZIONE CAMME, SHAFT FOR CAMS
34	RR002110	RR002110	RR002110	RR002110	RR002110	RR002110	RR002110	RR002110	RR002110	RR002110	RR002110	RR002110	A-W	DADO ZINCATO M6 AUTOBLOCCANTE, NUT MICRO
35	RH003800	RH003800	RH003800	RH003800	RH003800	RH003800	RH003800	RH003800	RH003800	RH003800	RH003800	RH003800	A-W	IMPULSI+STAFFA COMPLETO COMPLETE MICRO SWITCH
36		RH00B559	RH00B559	RH00B559	RH00B559	RH00B559	RH00B559	RH00B559	RH00B559	RH00B559	RH00B559	RH00B559	A-W	SCATOLA PROTEZIONE SCHEDA ELETTRICA, SAFETY BOX FOR LED BOARD
37		RI00A115	RI00A115	RI00A115	RI00A115	RI00A115	RI00A115	RI00A115	RI00A115	RI00A115	RI00A115	RI00A115	A-W	SCHEDA ELETTRONICA E5, LED BOARD E5
38		RH00A008	RH00A008	RH00A008	RH00A008	RH00A008	RH00A008			RH00A008	RH00A008	RH00A008	A-W	BIELLA PER TESTATA, ROD
								RM00B930						
39		RQ00A064	RQ00A064	RQ00A064	RQ00A064	RQ00A064	RQ00A065	RQ00A065	RQ00A064	RQ00A064	RQ00A064	RQ00A064	A-W	ALBERO PER BACINELLA, SHAFT FOR TILTING

CARROZZERIA PRODUTTORI GHIACCIO CUBETTI, CABINET FOR ICECUBER

CODICE MODELLI- MODEL CODE

EC20	EC30	EC40	EC50	EC60	EC80
------	------	------	------	------	------



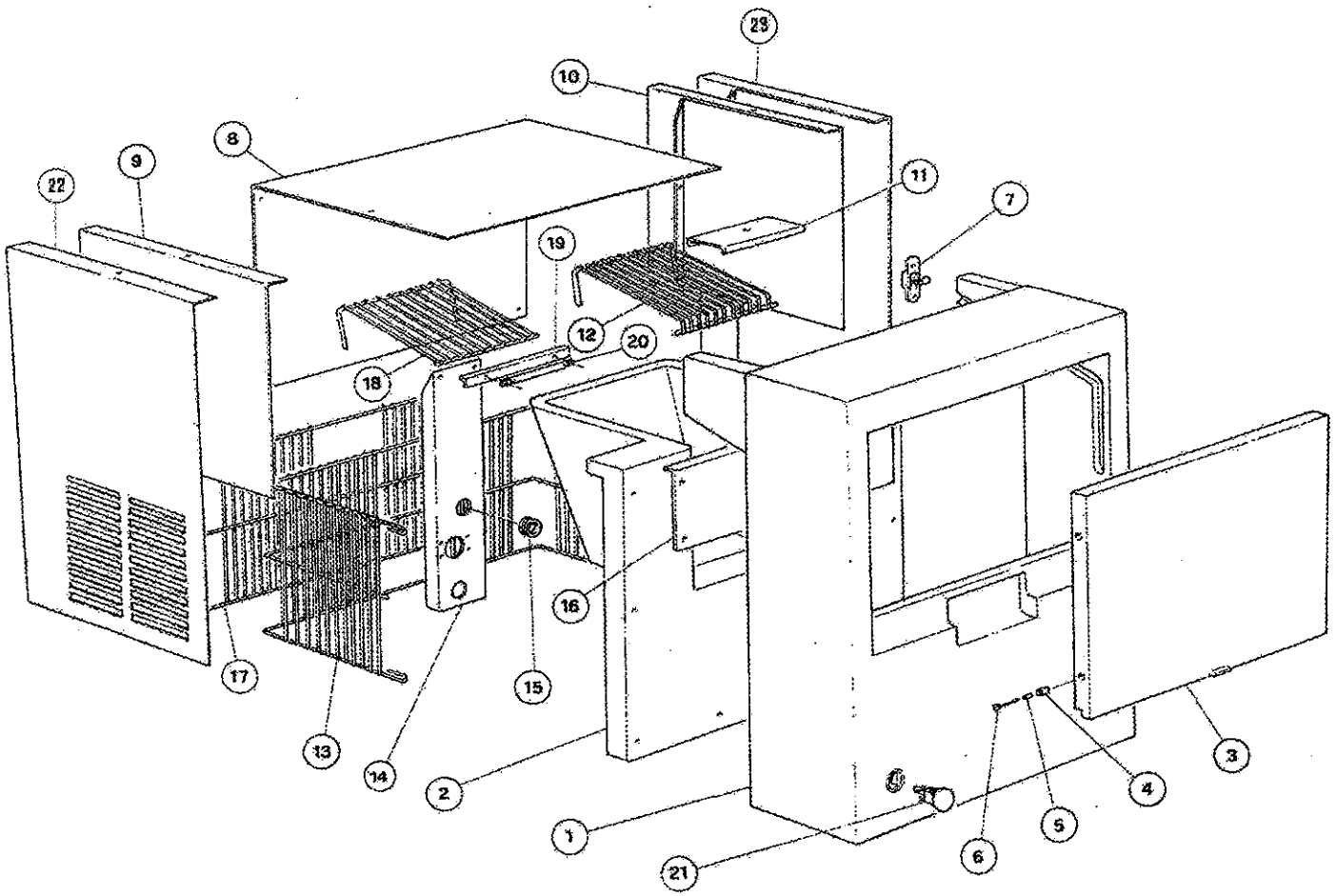
CARROZZERIA PRODUTTORI GHIACCIO CUBETTI, CABINET FOR ICECUBER

N°	CODICE - CODE						A-W	DESCRIZIONE DESCRIPTION
	EC20	EC30	EC40	EC50	EC60	EC80		
1	RM003168						A-W	COPERCHIO SKIN GRIGIO, UPPER PANEL
		RM003169	RM003169					
				RM003170	RM003170			
						RM003171		
2	RMI0B594						A-W	FIANCO SINISTRO SKIN GRIGIO, LEFT LATERAL PANEL
		RMI0B709	RMI0B709					
				RMI0B727	RMI0B727			
						RMI0B728		
3	RMI0B593						A-W	FIANCO DESTRO SKIN GRIGIO, RIGHT LATERAL PANEL
		RMI0B710	RMI0B710					
				RMI0B725	RMI0B725			
						RMI0B726		
4	RML03160						A-W	SCHIENALE ZINCATO, POSTERIOR PANEL
		RML03161	RML03161					
				RML03162	RML03162			
						RML03163		
5	RM003176						A-W	BASAMENTO U.C., BASE
		RM003177	RM003177					
				RM003178	RM003178			
						RM003179		
6	RN00B416						A-W	GRIGLIA POSTERIORE, BACK GRILL
		RN00B417	RN00B417					
				RN00B418	RN00B418			
						RN00B419		
7	RN00B333	RN00B333	RN00B333	RN00B333	RN00B333	RN00B333		GRIGLIA BLU PER FIANCO, BLU GRILL FOR LATERAL
8	RM00A087		RM00A087				A-W	RINFORZO FRONTALE FRONTAL REINFORCEMENT
		RM00A088						
				RM00A089	RM00A089			
						RM00A092		
9	RN000931						A-W	GRIGLIA CONVOGLIATRICE, GRILL FOR BIN
		RN000932	RN000932					
				RN000928	RN000928			
						RN000933		
10	RN001116						A-W	GRIGLIA POSTERIORE, BACK GRILL
		RN001117	RN001117					
				RN001118	RN001118			
						RN001119		
11	RP00B656						A-W	DEPOSITO GHIACCIO, DEPOSIT
		RP00B720	RP00B720					
				RP003186	RP003186			
						RP003187		
12	RH000685	RH000685	RH000685				A-W	PIEDE IN PLASTICA NERA D.30, FOOT
				RH00A799	RH00A799			
13						RH000684	A-W	PIEDE IN PLASTICA, FOOT
14		RI00A031	RI00A031	RI00A031	RI00A031	RI00A031	A-W	SCHEDA ELETTRONICA LED, LED BOARD
15	RP00A561						A-W	FRONTALE CURVO GRIGIO TEXT, METAL, FRONT PANEL
		RP00A562	RP00A562					
				RP00A563	RP00A563			
						RP00A564		
16	RP00A703	RP00A703	RP00A703				A-W	PORTA CURVA SERIGRAFATA EURFRIGOR, DOOR EURFRIGOR
				RP00A671	RP00A671			
						RP00A672		
17	RI000751	RI000751	RI000751	RI000751	RI000751	RI000751	A-W	INTERRUTTORE LUMINOSO, SWITCH

CARROZZERIA PRODUTTORI GHIACCIO EC14, CABINET FOR ICECUBER EC14

CODICE MODELLO- MODEL CODE

EC14



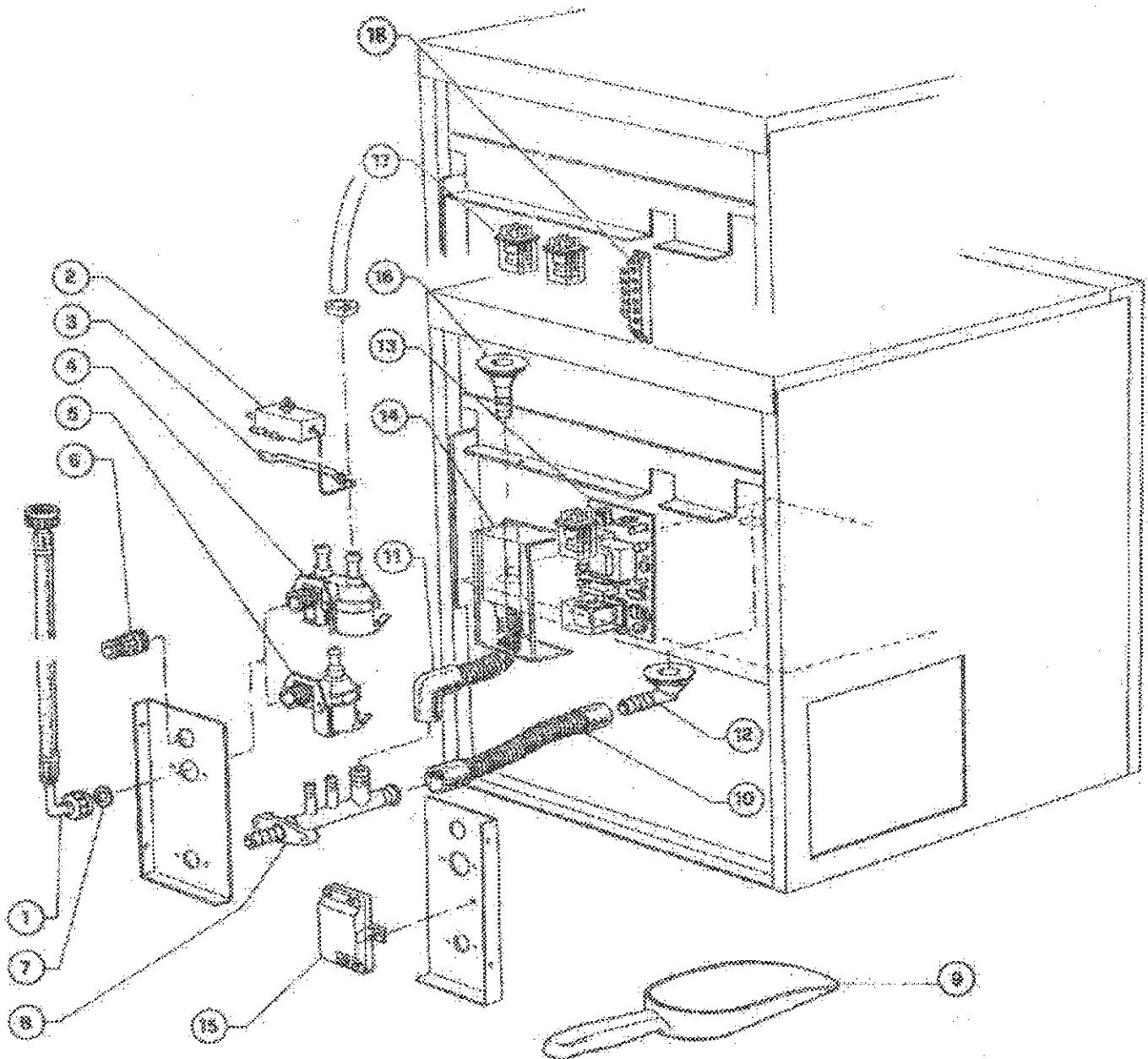
CARROZZERIA PRODUTTORI GHIACCIO EC14, CABINET FOR ICECUBER EC14

N°	EC14	CODICE - CODE	A-W	DESCRIZIONE DESCRIPTION
1	RM00A646		A-W	CORPO FRONTALE GRIGIO TEXT. METAL, FRONTAL CASING
2	RM00A647		A-W	CORPO POSTERIORE GRIGIO TEXT. METAL, POSTERIOR CASING
3	RP003681		A-W	PORTA SERIGRAFATA EURFRIGOR, DOOR EURFRIGOR
4	RH003638			ROTELLA PER PORTA, SMALL WHEEL FOR DOOR
5	RQ003639		A-W	BUSSOLA ROTELLA PER PORTA, BUSH FOR DOOR
6	RR003673		A-W	VITE ZINCATA, GALVANIZED SCREW
7	RH003637		A-W	FERMO PORTA, DOOR STOP
8	RMI0B777		A-W	SCHIENALE SKIN GRIGIO, POSTERIOR
9	RM003641		A-W	FIANCO SINISTRO SKIN GRIGIO, LEFT PANEL
10	RM003642		A-W	FIANCO DESTRO SKIN GRIGIO, RIGHT PANEL
11	RM003628		A-W	PROTEZIONE TERMOSTATO, THERMOSTAT PROTECTION
12	RN003624		A-W	GRIGLIA CONVOGLIATRICE, GRILL FOR BIN
13	RN003614		A-W	GRIGLIA POSTERIORE, BACK GRILL
14	RM00A702		A-W	STAFFA FISSAGGIO RACCORDI, FIXED BRACKET
15	RI000738		A-W	PRESSACAVO PA 107, FAIR LEAD
16	RM003627		A-W	PROTEZIONE INTERNA TESTATA, HEAD INTERNAL PROTECTION
17	RN00A692		A-W	GRIGLIA POSTERIORE PIANA, BACK GRILL
18	RN00A650		A-W	GRIGLIA CONVOGLIATRICE, GRILL FOR BIN
19	RMI0A687		A-W	PIASTRINA FISSAGGIO PORTABULBO, BULB- HOLDER FIXING PLATE
20	RC00A693		A-W	PORTA BULBO, BULB- HOLDER
21	RI00B281		A-W	INTERRUTTORE LUMINOSO, SWITCH
22	RMI0B776		A-W	FIANCO SINISTRO SKIN GRIGIO, LEFT LATERAL PANEL
23	RMI0B775		A-W	FIANCO DESTRO SKIN GRIGIO, RIGHT LATERAL PANEL

PARTICOLARE POSTERIORE PRODUTTORE GHIACCIO A CUBETTI, BACK DETAIL OF ICECUBER

CODICE MODELLO- MODEL CODE

EC14 | EC20 | EC30 | ECF30 | EC40 | ECF40 | EC50 | EC60 | ECF60 | EC80 | EC130



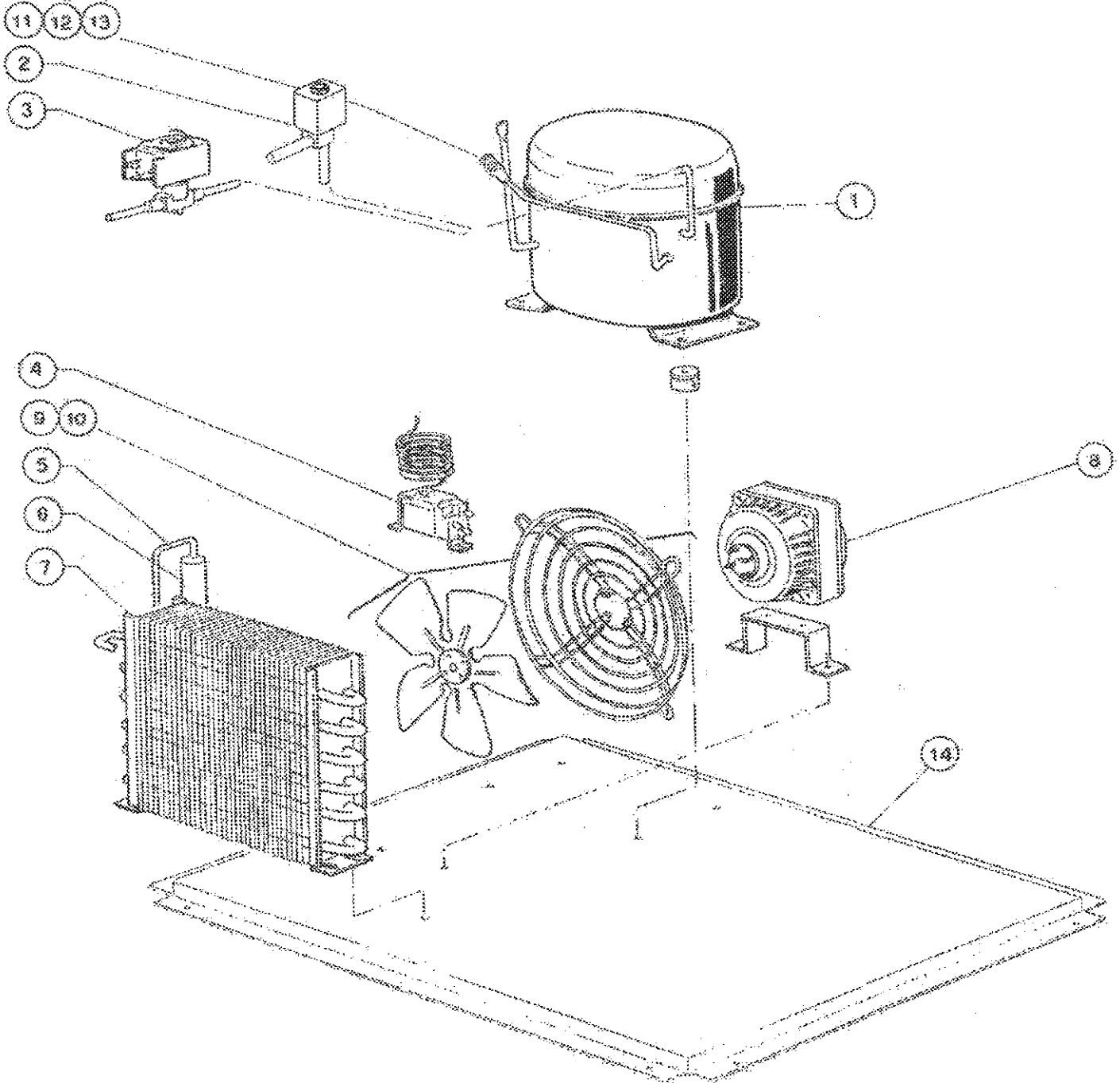
PARTICOLARE POSTERIORE PRODUTTORE GHIACCIO A CUBETTI, BACK DETAIL OF ICECUBER

N°	CODICE - CODE											A-W	DESCRIZIONE DESCRIPTION	
	EC14	EC20	EC30	ECF30	EC40	ECF40	EC50	EC60	ECF60	EC80	EC130			
1	RH000717	RH000717	RH000717	RH000717	RH000717	RH000717	RH000717	RH000717	RH000717	RH000717	RH000717	RH000717	A-W	TUBO CARICO ACQUA 3/4" WATER INLET TUBE
2	RFS0B892	RFS0B892	RFS0B892	RFS0B892	RFS0B892	RFS0B892	RFS0B892	RFS0B892	RFS0B892	RFS0B892	RFS0B892	RFS0B892	A-W	TERMOSTATO DEPOSITO PER P.G. A RELE' DEPOSIT THERMOSTAT
		RF000680	RF000680	RF000680	RF000680	RF000680	RF000680	RF000680	RF000680	RF000680	RF000680	RF000680	A-W	TERMOSTATO DEPOSITO PER P.G. A SCHEDA DEPOSIT THERMOSTAT
3	RC00A693											A-W	PORTA BULBO, BULB HOLDER	
		RC000475	RC000475	RC000475	RC000475	RC000475	RC000475	RC000475	RC000475	RC000475	RC000475			RC000475
4	RF000625	RF000625	RF000625	RF000625	RF000625	RF000625	RF000625	RF000625	RF000625	RF000625	RF000625	RF000625		ELETTROVALVOLA DOPPIA 90°, DOUBLE WATER VALVE
5	RF000624	RF000624	RF000624	RF000624	RF000624	RF000624	RF000624	RF000624	RF000624	RF000624	RF000624	RF000624	A-W	ELETTROVALVOLA SINGOLA 90°, WATER VALVE
6	RI000738	RI000738	RI000738	RI000738	RI000738	RI000738	RI000738	RI000738	RI000738	RI000738	RI000738	RI000738	A-W	PRESSACAVO PA 107, FAIR LEAD
7	RH000708	RH000708	RH000708	RH000708	RH000708	RH000708	RH000708	RH000708	RH000708	RH000708	RH000708	RH000708	A-W	GUARNIZIONE PER TUBO DI CARICO D'ACQUA, GASKET FOR WATER INLET
8	RH000665	RH000665	RH000665	RH000665	RH000665	RH000665	RH000665	RH000665	RH000665	RH000665	RH000665	RH000665	A-W	COLLETTORE SCARICO ACQUA, NYLON WATER OUTLET
9	RH000688	RH000688	RH000688	RH000688	RH000688	RH000688	RH000688	RH000688	RH000688	RH000688			A-W	SESSOLA GHIACCIO PICCOLA cm16/19, PADDLE FOR ICE cm16/19
											RH000689	RH000689		
10	RH003633											RH003633	A-W	TUBO SCARICO ACQUA, WATER OUTLET
		RH001180	RH001180		RH001180									
				RH001181		RH001181	RH001181							
					RH001182						RH001182			
								RH00B492						
11	RH003633												A-W	TUBO SCARICO DEPOSITO SUPERIORE, WATER OUTLET
		RH001175												
			RH001176		RH001176									
				RH001181										
					RH001178					RH001178				
						RH001177	RH001177							
								RH00B493						
											RC00A539			
12		RH003286	RH003286	RH003286	RH003286	RH003286	RH003286	RH003286	RH003286	RH003286	RH003286	RH003286	A-W	PILETTA CURVA D20, ELBOW DRAIN
13			RI00A115		RI00A115	RI00A115	RI00A115	RI00A115	RI00A115	RI00A115	RI00A115	RI00A115	A-W	SCHEDA ELETTRONICA E5, LED BOARD E5
14			RH00A096	RH00A096	RH00A096	RH00A096	RH00A096	RH00A096	RH00A096	RH00A096	RH00A096	RH00A096	A-W	SCATOLA PROTEZIONE SCHEDA ELETTRICA, SAFETY BOX FOR LED BOARD
15												RI000694	A-W	MORSETTERIA PA104, TERMINAL BLOK
16	RH003285	RH003285	RH003285	RH003285	RH003285	RH003285	RH003285	RH003285	RH003285	RH003285	RH003285	RH003285	A-W	PILETTA DRITTA D20, SRAIGHT DRAIN
17	RI000761	RI000761											A-W	RELE', RELAY
18	RI000709	RI000709											A-W	MORSETTERIA, TERMINAL BLOK
			RI000859	RI000859	RI000859	RI000859	RI000859	RI000859	RI000859	RI000859	RI000859	RI000859		

UNITA' CONDENSATRICE AD ARIA PER PRODUTTORI DI GHIACCIO CUBETTI E GRANULARI
AIR CONDENSING UNIT FOR ICECUBER AND ICEFLAKERS

CODICE MODELLO- MODEL CODE

EC14	EC20	EC30	ECF30	EC40	ECF40	EC50	EC60	ECF60	EC80	EC130	
ES 50	ES 70	ES 100	ES 200								



UNITA' CONDENSATRICE AD ARIA PER PRODUTTORI DI GHIACCIO CUBETTI E GRANULARI
AIR CONDENSING UNIT FOR ICECUBER AND ICEFLAKERS

N°	CODICE - CODE											A	DESCRIZIONE DESCRIPTION	
	EC14	EC20	EC30	ECF30	EC40	ECF40	EC50	EC60	ECF60	EC80	EC130			
1	RB00A795												A	COMPRESSORE R404a, COMPRESSOR R404a
		RB00B133												
			RB00A796											
				RB00A797	RB00A797	RB00A797	RB00A797							
								RB00A798	RB00A798					
										RB00B149				
2	RF000531	RF000531	RF000531	RF000531	RF000531	RF000531						A	VALVOLA SOLENOIDE D.1,5, SOLENOID VALVE D.1,5	
							RF000532	RF000532	RF000532					
3										RF000557	RF000557	A	VALVOLA SOLENOIDE, SOLENOID VALVE	
4	RF000621	RF000621	RF000621	RF000621	RF000621	RF000621	RF000621	RF000621	RF000621	RF000621	RF000621	W	PRESSOSTATO, PRESSURE CONTROL	
5	RA00A328											A	LINEA ALTA PRESSIONE, HIGH PRESSURE LINE	
		RA00A338												
			RA00A348		RA00A348									
				RA00B275										
					RA00B321									
						RA00A354								
							RA00A377							
								RA00B306						
									RA00A380					
										RA00A376				
6	RF000546	RF000546	RF000546		RF000546		RF000546	RF000546				A	FILTRO MOLECOLARE IN RAME, FILTER	
				RA00B274										
					RA00B319									
								RA00B305						
7	RC000467	RC000467		RC000467								A	CONDENSATORE ARIA, AIR CONDENSER 28,72	
			RC000463		RC000463									
					RC000383	RC000383								
							RC000380	RC000380						
									RC000381					
8	RD000511	RD000511	RD000511	RD000511	RD000511	RD000511						A	VENTILATORE, FAN	
							RD000512							
								RC000451	RC000451					
									RC000452					
9	RD000518	RD000518										A	VENTOLA ASPIRANTE, SUCTION FAN	
			RD000519	RD000519	RD000519	RD000519								
							RD000520	RD000520	RD000520					
									RD000521					
10							RC000454	RC000454				A	CONVOGLIATORE, CONVEYOR	
									RC000455					
11	RF000581	RF000581	RF000581	RF000581	RF000581	RF000581	RF000581	RF000581	RF000581	RF000581	RF000581	A	MECCANISMO PER VALVOLA	
	RA00A649										RA00A649			
12		RA00A336	RA00A336	RA00A336	RA00A336	RA00A336	RA00A336	RA00A336	RA00A336	RA00A336	RA00A336	A	TUBO DI CARICA+VALVOLA	
	RF000583	RF000583	RF000583	RF000583	RF000583	RF000583	RF000583	RF000583	RF000583	RF000583				
14	RM003606											A	BASAMENTO, BASE	
		RM003176		RM003176										
			RM003177		RM003177	RM003177								
							RM003178	RM003178	RM003178					
										RM003179				
										RM00A137				

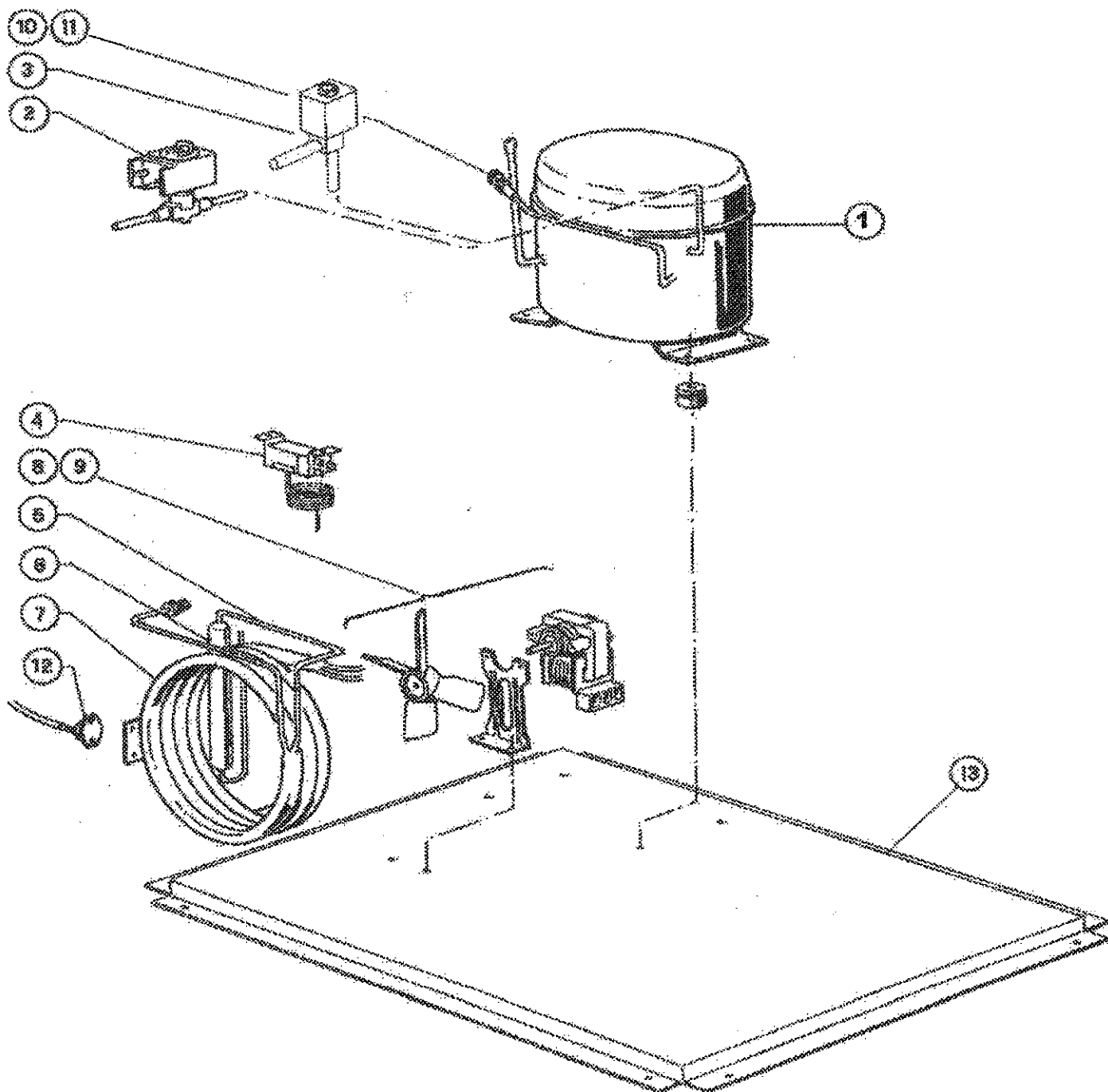
UNITA' CONDENSATRICE AD ARIA PER PRODUTTORI DI GHIACCIO CUBETTI E GRANULARI
AIR CONDENSING UNIT FOR ICECUBER AND ICEFLAKERS

N°	CODICE - CODE				A	DESCRIZIONE DESCRIPTION
	ES 50	ES 70	ES 100	ES 200		
1	RB00A796				A	COMPRESSORE R404a, COMPRESSOR R404a
		RB00A797				
			RB00A798			
				RB00B149		
2	RF000531	RF000531			A	VALVOLA SOLENOIDE, SOLENOID VALVE
3			RF000557	RF000557	A	VALVOLA SOLENOIDE, SOLENOID VALVE
4	RF000621	RF000621	RF000621	RF000621	A	PRESSOSTATO, PRESSURE CONTROL
5	RA00A369				A	LINEA ALTA PRESSIONE HIGHT PRESSURE LINE
		RA00A383				
			RA00A708			
				RA00A392		
6	RF000546	RF000546	RF000546		A	FILTRO, FILTER
				RF000543		
7	RC000463	RC000463			A	CONDENSATORE ARIA, AIR CONDENSER
			RC000380			
				RC000381		
8	RD000511	RD000511			A	VENTILATORE, FAN
			RC000451			
				RC000452		
9	RD000519	RD000519			A	VENTOLA ASPIRANTE, SUCTION FAN
			RD000520			
				RD000521		
10			RC000454		A	CONVOGLIATORE, CONVEYOR
				RC000455		
11	RF000581	RF000581	RF000581	RF000581	A	MECCANISMO PER VALVOLA, VALVE ACCESSORIES
12	RA00A336	RA00A336			A	TUBO DI CARICA+VALVOLA
			RA00A649	RA00A649		
13	RF000583	RF000583	RF000583	RF000583	A	CAPPUCCIO PER VALVOLA DI CARICO
14	RM003177				A	BASAMENTO, BASE
		RM003178				
			RM003179			
				RM00A137		

UNITA' CONDENSATRICE AD ACQUA PER PRODUTTORI DI GHIACCIO CUBETTI E GRANULARI
WATER CONDENSING UNIT FOR ICECUBER AND ICEFLAKERS

CODICE MODELLO - MODEL CODE

EC14	EC20	EC30	ECF30	EC40	ECF40	EC60	EC60	ECF60	EC80	EC130
ES 50	ES 70	ES 100	ES 200							



UNITA' CONDENSATRICE AD ACQUA PER PRODUTTORI DI GHIACCIO CUBETTI E GRANULARI
WATER CONDENSING UNIT FOR ICECUBER AND ICEFLAKERS

N°	CODICE - CODE											W	DESCRIZIONE DESCRIPTION	
	EC14	EC20	EC30	ECF30	EC40	ECF40	EC50	EC60	ECF60	EC80	EC130			
1	RB00A795												W	COMPRESSORE R404a, COMPRESSOR R404a
		RB00B133												
			RB00A796											
				RB00A797	RB00A797	RB00A797	RB00A797							
								RB00A798	RB00A798					
										RB00B149				
2	RF000531	RF000531	RF000531	RF000531	RF000531	RF000531						W	VALVOLA SOLENOIDE D.1,5, SOLENOID VALVE D.1,5	
							RF000532	RF000532	RF000532					
3										RF000557	RF000557	W	VALVOLA SOLENOIDE, SOLENOID VALVE	
4	RF000621	RF000621	RF000621	RF000621	RF000621	RF000621	RF000621	RF000621	RF000621	RF000621	RF000621	W	PRESSOSTATO, PRESSURE CONTROL	
5	RA00A334											W	LINEA ALTA PRESSIONE, HIGH PRESSURE LINE	
		RA00A344												
			RA00A362		RA00A362		RA00A362							
							RA00A355							
									RA00A394		RA00A379			
6	RF000546	RF000546	RF000546		RF000546		RF000546	RF000546				W	FILTRO MOLECOLARE IN RAME, FILTER	
									RF000543	RF000543				
7	RC00A332											W	CONDENSATORE AD ACQUA, WATER CONDENSER	
		RC00A342		RC00A342										
			RC00A364		RC00A364	RC00A364	RC00A364							
							RC00A688	RC00A688						
									RC00A691		RC00A689			
8	RD000509		RD000509		RD000509	RD000509	RD000509	RD000509	RD000509	RD000509	RD000509	W	VENTILATORE, FAN	
		RD000510		RD000510										
9	RD000518	RD000518	RD000518	RD000518	RD000518	RD000518	RD000518	RD000518	RD000518	RD000518	RD000518	W	VENTOLA ASPIRANTE, SUCTION FAN	
10	RA00A649										RA00A649	W	TUBO CARICA DRITTO/CURVO, LOADING TUBE	
		RA00A336	RA00A336	RA00A336	RA00A336	RA00A336	RA00A336	RA00A336	RA00A336	RA00A336				
11	RF000583	RF000583	RF000583	RF000583	RF000583	RF000583	RF000583	RF000583	RF000583	RF000583	RF000583	W	CAPPUCCIO PER VALVOLA DI CARICO, LOADING VALVE CAP	
12	RF00B537	RF00B537	RF00B537	RF00B537	RF00B537	RF00B537	RF00B537	RF00B537	RF00B537	RF00B537	RF00B537	W	TERMOSTATO BIMETALLICO, DOUBLE METAL THERMOSTAT	
13	RM003606											W	BASAMENTO, BASE	
		RM003176		RM003176										
			RM003177		RM003177	RM003177								
						RM003178	RM003178	RM003178						
									RM003179		RM00A137			

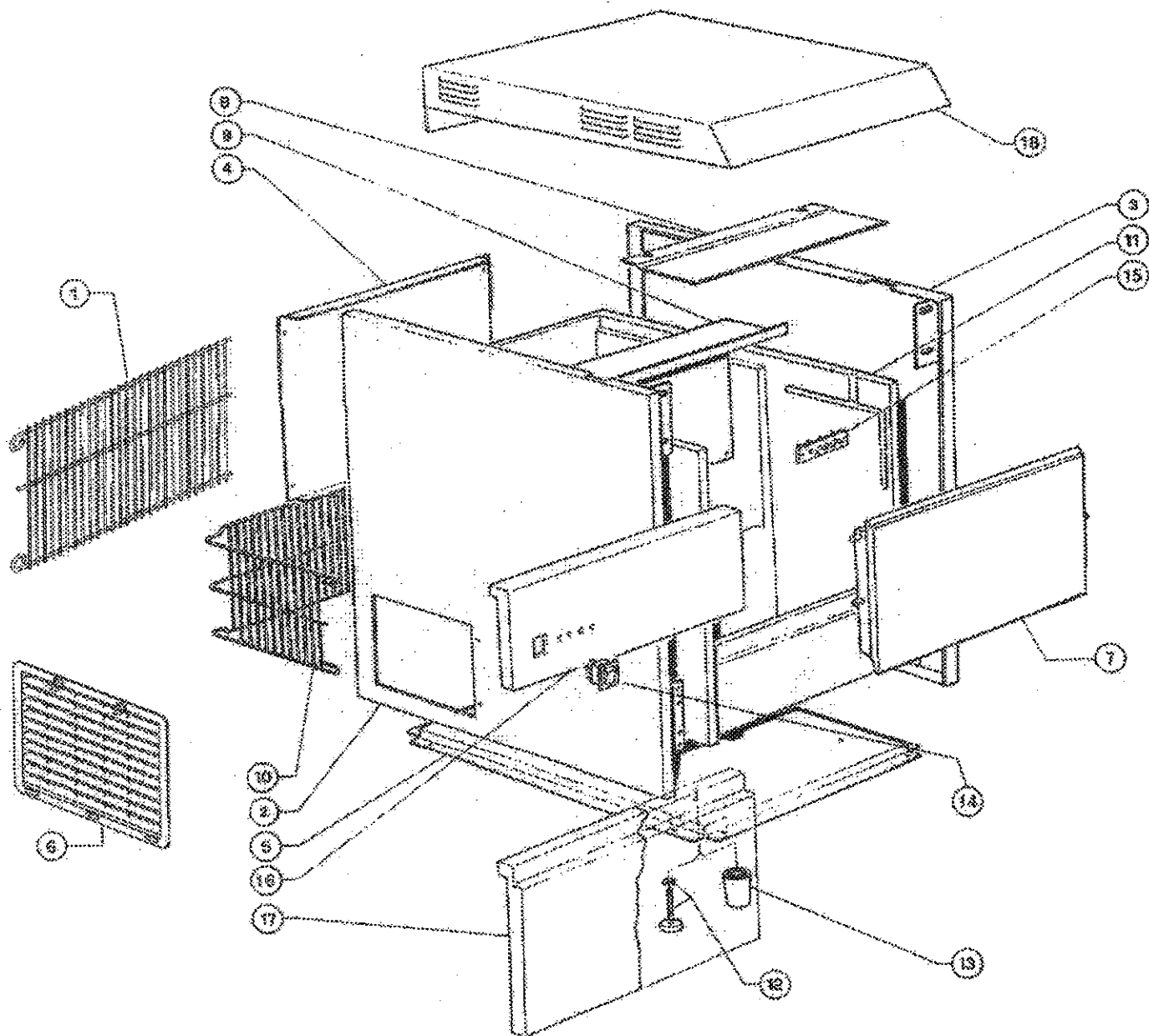
UNITA' CONDENSATRICE AD ACQUA PER PRODUTTORI DI GHIACCIO CUBETTI E GRANULARI
WATER CONDENSING UNIT FOR ICECUBER AND ICEFLAKERS

N°	CODICE - CODE				W	DESCRIZIONE DESCRIPTION
	ES 50	ES 70	ES 100	ES 200		
1	RB00A796				W	COMPRESSORE R404a, COMPRESSOR R404a
		RB00A797				
			RB00A798			
				RB00B149		
2	RF000531	RF000531			W	VALVOLA SOLENOIDE, SOLENOID VALVE
3			RF000557	RF000557	W	VALVOLA SOLENOIDE, SOLENOID VALVE
4	RF000621	RF000621	RF000621	RF000621	W	PRESSOSTATO, PRESSURE CONTROL
5	RA00A372				W	LINEA ALTA PRESSIONE
		RA00A386				
			RA00A712			
				RA00A395		
6	RF000546	RF000546	RF000546		W	FILTRO, FILTER
				RF000543		
7	RC000464	RC000464			W	CONDENSATORE AD ACQUA, WATER CONDENSER
			RC00A688			
				RC00A691		
8	RD000509	RD000509	RD000509	RD000509	W	VENTILATORE, FAN
10	RF000581	RF000581	RF000581	RF000581	W	MECCANISMO PER VALVOLA, VALVE MECHANISM
10 bis	RA00A336	RA00A336			W	TUBO DI CARICA+VALVOLA, LOADING TUBE PLUS VALVE
			RA00A649	RA00A649		
11	RF000583	RF000583	RF000583	RF000583	W	CAPPUCCIO PER VALVOLA DI CARICO, LOADING VALVE CAP
12	RF00B537	RF00B537	RF00B537	RF00B537	W	TERMOSTATO BIMETALLICO, DOUBLE METAL THERMOSTAT
13	RM003177				W	BASAMENTO, BASE
		RM003178				
			RM003179			
				RM00A137		

CARROZZERIA PRODUTTORE CHIACCIO GRANULARE, CABINET FOR ICEFLAKER

CODICE MODELLO- MODEL CODE

ES 50 | ES 70 | ES 100



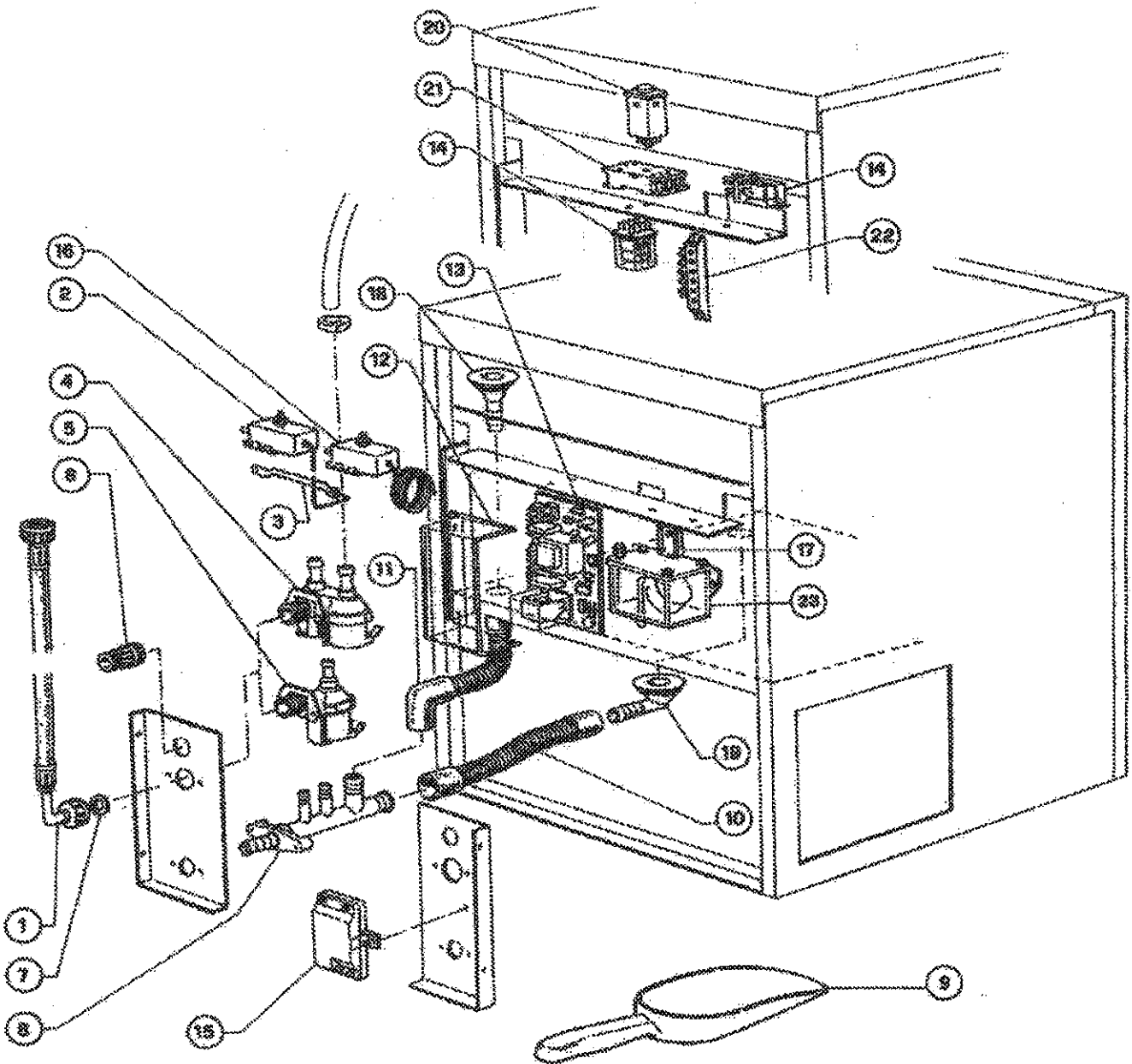
CARROZZERIA PRODUTTORE CHIACCIO GRANULARE, CABINET FOR ICEFLAKER

N°	CODICE - CODE			W-A	DESCRIZIONE DESCRIPTION
	ES 50	ES 70	ES 100		
1	RN00B417			W-A	GRIGLIA POSTERIORE, POSTERIOR GRILL
		RN00B418			
			RN00B419		
2	RMI0A498			W-A	FIANCO SINISTRO INOX, LEFT LATERAL PANEL
		RMI0B727			
			RMI0B728		
3	RMI0A501			W-A	FIANCO DESTRO INOX, RIGHT LATERAL PANEL
		RMI0B725			
			RMI0B726		
4	RML03161			W-A	SCHENALE, POSTERIOR PANEL
		RML03162			
			RML03163		
5	RM003177			W-A	BASAMENTO, BASE
		RM003178			
			RM003179		
6	RN00B333	RN00B333	RN00B333	W-A	GRIGLIA PER FIANCO BLU, BLU GRILL FOR LATERAL
7	RP00A810			W-A	PORTA BLU SELIGRAFATA EURFRIGOR, DOOR
		RP00A811			
			RP00A812		
8	RMI03258			W-A	COPERCHIO CAMERA GHIACCIO, UPPEL PANEL FOR ICE ROOM
		RMI03262			
			RMI0A538		
9	RN00B417			W-A	DIVISORIO PORTA THERMOSTATO, SUPPORT FOR THERMOSTAT
		RMI0B078			
			RMI0B079		
10	RN001117			W-A	GRIGLIA POSTERIORE, POSTERIOR GRILL
		RN001118			
			RN001119		
11	RP00B720			W-A	DEPOSITO GHIACCIO, DEPOSIT
		RP003186			
			RP003187		
12	RH000685			W-A	PIEDE IN PLASTICA NERO, BLACK FOOT
13		RH00A799		W-A	PIEDE IN PLASTICA NERO, BLACK FOOT
			RH000684		
14	RI000751	RI000751	RI000751	W-A	INTERRUTTORE LUMINOSO, SWITCH
15	RI00A031	RI00A031	RI00A031	W-A	SCHEDA ELETTRONICA TIPO E4, LED BOARD TYPE E4
16	RMI0A166			W-A	PANNELLO SOPRAPORTA, OVERDOOR PANEL
		RMI0A175			
			RMI0C123		
17	RMI0B712			W-A	PANNELLO SOTTOPORTA, UNDERDOOR PANEL
		RMI0B801			
			RMI0B802		
18	RMI0A150			W-A	COPERCHIO, UPPER PANEL
		RMI0A153			
			RMI0A156		

PARICOLARE POSTERIORE PRODUTTORE GHIACCIO GRANULARE, BACK DETAIL OF ICEFLAKER

CODICE MODELLO- MODEL CODE

ES 50 ES 70 ES 100 ES 200



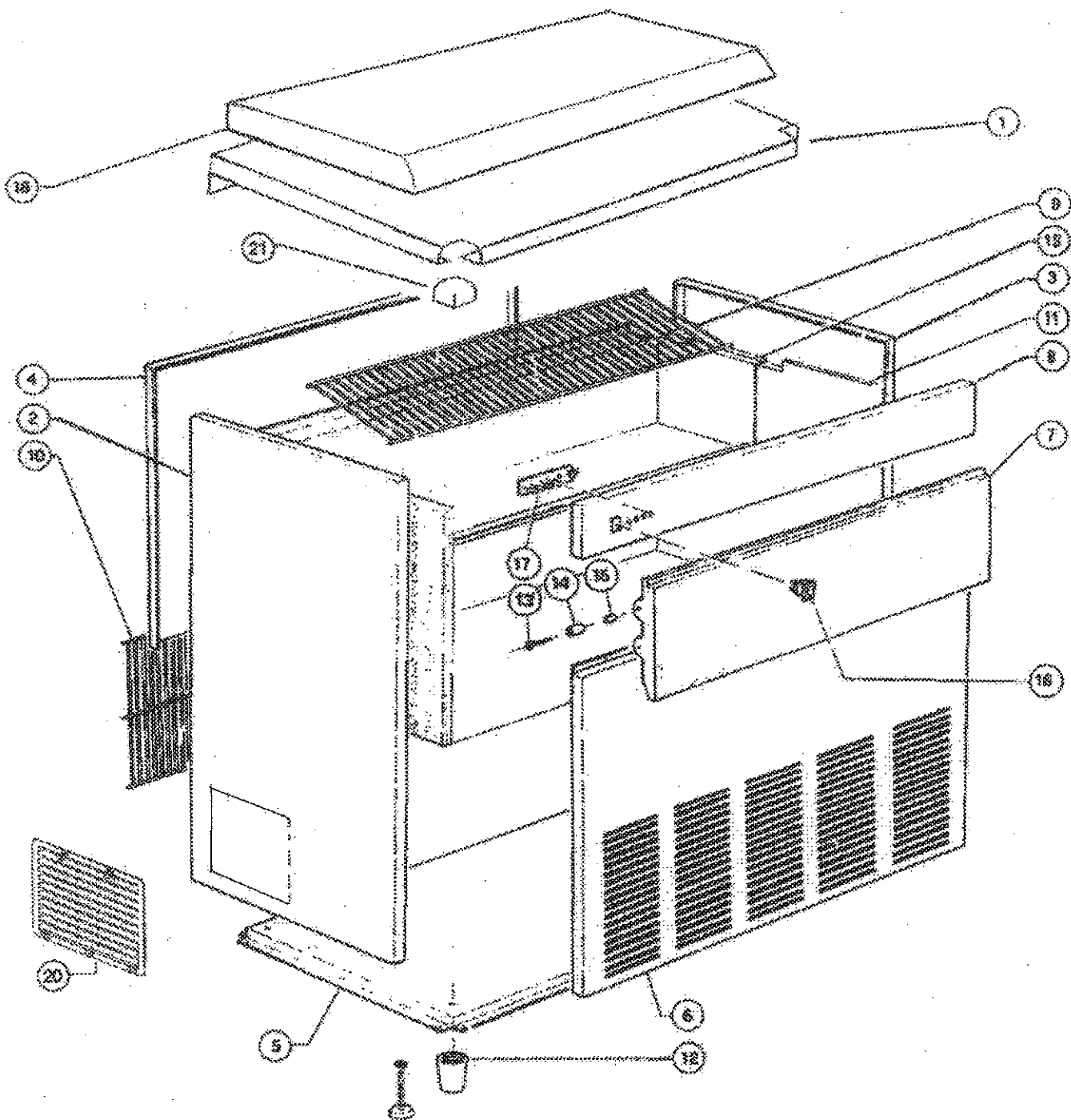
PARICOLARE POSTERIORE PRODUTTORE GHIACCIO GRANULARE, BACK DETAIL OF ICEFLAKER

N°	CODICE - CODE				W-A	DESCRIZIONE DESCRIPTION
	ES 50	ES 70	ES 100	ES 200		
1	RH000717	RH000717		RH000717	WA	TUBO CARICO ACQUA, WATER INLET TUBE
			RH001211			
2	RF000615	RF000615	RF000615	RF000615	WA	CONTENITORE THERMOSTATO, DEPOSIT THERMOSTAT
3	RC003281	RC003281	RC003281	RC003281	WA	PORTABULBO, BULB HOLDER
4	RF000690	RF000690	RF000690	RF000690	WA	ELETTROVALVOLA AD ACQUA, WATER ELECTROVALVE
5	RF00A581	RF00A581	RF00A581	RF00A581	WA	ELETTROVALVOLA, ELECTROVALVE
6	RI000738	RI000738	RI000738		WA	PASSACAVO PA 107 ELETTROGIBI, FAIR LEAD PA 107
7	RH000708	RH000708	RH000708	RH000708	WA	GUARNIZIONE PER TUBO DI CARICO ACQUA, GASKET FOR WATER INLET TUBE
8	RH000665	RH000665	RH000665	RH000665	WA	COLLETTORE SCARICO ACQUA, NYLON WATER OUTLET
9	RH000688	RH000688			WA	SESSOLA cm16/cm19, PADDLE FOR ICE cm16/cm19
			RH000689	RH000689		
10	RH001180				WA	TUBO SCARICO INFERIORE, LOWER WATER OUTLET
		RH001181				
			RH001182			
11	RH001176				WA	TUBO SCARICO SUPERIORE, UPPER WATER OUTLET
		RH001177				
			RH001178			
				RH003633		
12	RH00A096	RH00A096	RH00A096	RH00A096	WA	SCATOLA PROTEZIONE SCHEDA ELETTRICA, PROTECTION BOX
13	RI003551	RI003551	RI003551	RI003551	WA	SCHEDA ELETTRONICA TIPO E2, LED BOARD
14	RI000761	RI000761	RI000761	RI000761	WA	RELE', RELAY
15				RI000694	WA	MORSETTERIA PA104, TERMINAL BLOK PA104
16	RF000618	RF000618	RF000618	RF000618	WA	THERMOSTATO EVAPORATORE, THERMOSTAT FOR EVAPORATOR
17	RI000800	RI000800	RI000800	RI000800	WA	MICROIMPULSI PER GALLEGGIANTE, FLOAT BALL MICRO SWICH
18	RH003285	RH003285	RH003285	RH003285	WA	PILETTA DRITTA, STRAINGHT DRAIN
19	RH003286	RH003286	RH003286		WA	PILETTA CURVA, ELBOW DRAIN
20	RF000555	RF000555	RF000555	RF000555	WA	TEMPORIZZATORE, TIMER
21	RF000556	RF000556	RF000556	RF000556	WA	CONNETTORE PER TEMPORIZZATORE, TIMER CONNECTOR
22	RI000859	RI000859	RI000859		WA	MORSETTERIA, TERMINAL BLOK
23	RH00B632	RH00B632	RH00B632	RH00B632	WA	GALLEGGIANTE COMPLETO FLOAT BALL

CARROZZERIA PRODUTTORI GHIACCIO , CABINET FOR MACHINE

CODICE MODELLO- MODEL CODE

EC20	EC30	ECF30	EC40	ECF40	EC50	EC60	ECF60	EC80	EC130	ES200
------	------	-------	------	-------	------	------	-------	------	-------	-------



CARROZZERIA PRODUTTORI GHIACCIO, CABINET FOR MACHINE

N°	CODICE - CODE											WA	DESCRIZIONE DESCRIPTION	
	EC20	EC30	ECF30	EC40	ECF40	EC50	EC60	ECF60	EC80	EC130	ES200			
1	RMIOB597		RMIOB597										WA	COPERCHIO SPIGOLI SMUSSATI, UPPER PANEL INOX
		RMIOB711		RMIOB711	RMIOB711									
						RMIOB729	RMIOB729							
								RMIOB257						
									RMIOB730					
2	RMIOB594												WA	FIANCO SINISTRO INOX, LEFT LATERAL PANEL INOX
		RMIOB709		RMIOB709										
			RMIOB722											
				RMIOB724										
					RMIOB727	RMIOB727								
							RMIOB287							
									RMIOB728					
3	RMIOB593												WA	FIANCO DESTRO INOX, RIGHT LATERAL PANEL INOX
		RMIOB710		RMIOB710										
			RMIOB721											
				RMIOB723										
					RMIOB725	RMIOB725								
							RMIOB288							
									RMIOB726					
4	RML03160												WA	SCHIENALE ZINCATO, POSTERIOR PANEL
		RML03161		RML03161										
			RML0B261											
				RML0B339										
					RML03162	RML03162								
							RML0B340							
									RML03163					
5	RM003176		RM003176										WA	BASAMENTO, BASE
		RM003177		RM003177	RM003177									
					RM003178	RM003178	RM003178							
								RM003179						
6	RMIOB598												WA	PANNELLO SOTTOPORTA INOX, UNDER DOOR PANEL INOX
		RMIOB712		RMIOB712										
			RMIOB262											
				RMIOB263										
					RMIOB801	RMIOB801								
							RMIOB264							
									RMIO3392					
7	RP00A810	RP00A810	RP00A810	RP00A810	RP00A810								WA	PORTA LISCIA BLU SERIGRAFATA EURFRIGOR, BLU DOR EURFRIGOR
						RP00A811	RP00A811	RP00A811						
									RP00A812					

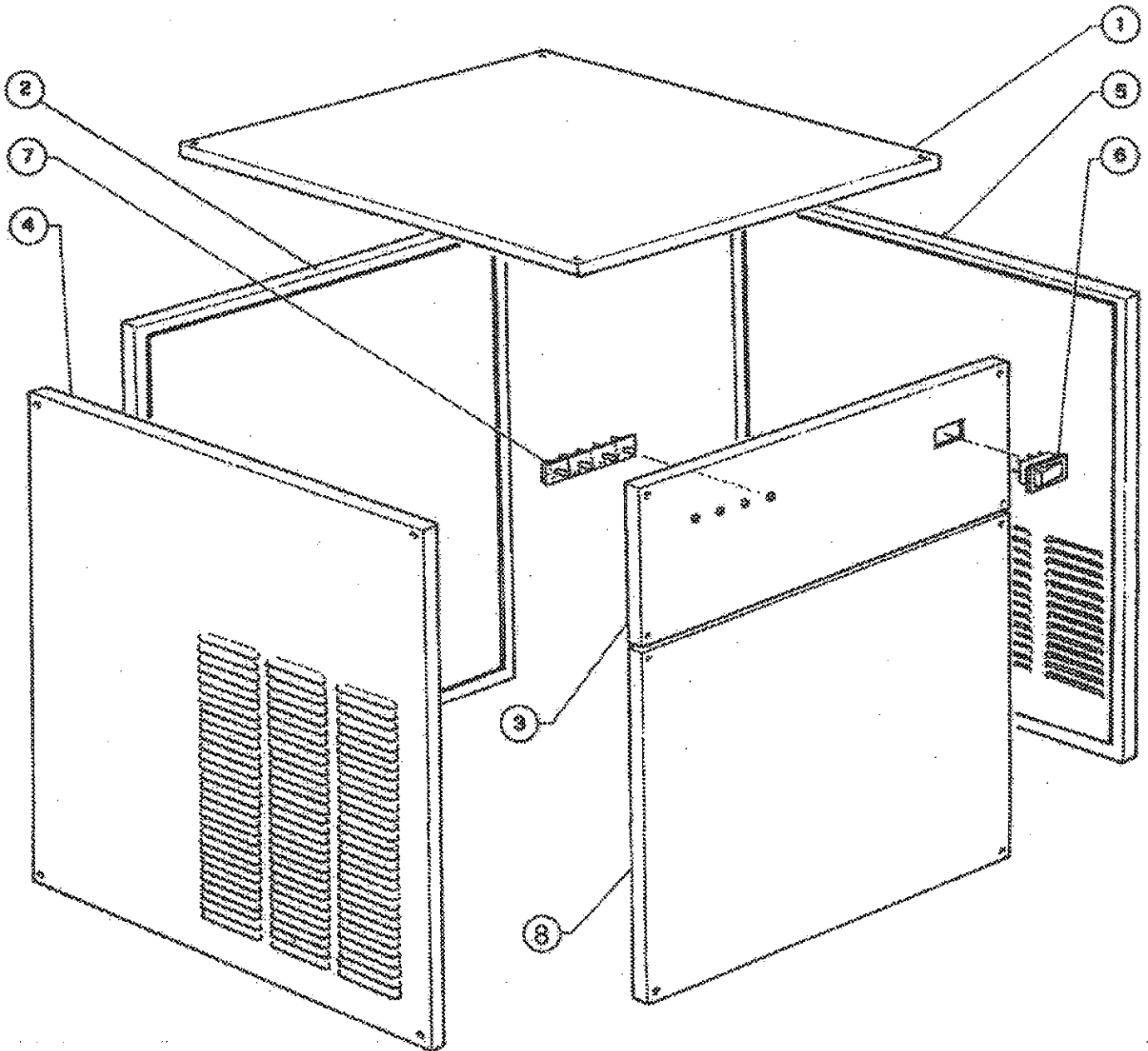
CARROZZERIA PRODUTTORI GHIACCIO , CABINET FOR MACHINE

N°	CODICE - CODE											WA	DESCRIZIONE DESCRIPTION				
	EC20	EC30	ECF30	EC40	ECF40	EC50	EC60	ECF60	EC80	EC130	ES200						
8	RMI0B600	RMI0B600	RMI0B600	RMI0B600	RMI0B600												PANNELLO SOPRAPORTA INTERO INOX, COMPLETE OVER DOOR PANEL
						RMI0B732	RMI0B732										
								RMI0A175									
									RMI0B734								
										RMI0A271							
9	RN000931		RN000931														GRIGLIA CONVOGLIATRICE, GRILL FOR BIN
		RN000932		RN000932	RN000932												
						RN000928	RN000928	RN000928									
									RN000933								
10	RN00B416		RN00B416														GRIGLIA POSTERIORE, BACK GRILL
		RN00B417		RN00B417													
					RN00B418	RN00B418	RN00B418	RN00B418									
									RN00B416								
										RN001101	RN001101						
11	RP00B656																DEPOSITO GHIACCIO, DEPOSIT
			RP003184														
		RP00B720		RP00B720													
					RP003185												
						RP003186	RP003186	RP003186									
									RP003187								
12	RH000685	RH000685	RH000685	RH000685	RH000685												PIEDE IN PLASTICA NERO, FOOT
						RH00A799	RH00A799	RH00A799									
13												RR003673	RR003673				VITE ZINCATA, GALVANIZED SCREW
14	RH001147	RH001147	RH001147	RH001147	RH001147	RH001147	RH001147	RH001147	RH001147								ROTELLA PER PORTA, SMALL WHEEL FOR DOOR
												RH003638	RH003638				
15												RQ003639	RQ003639				BUSSOLA ROTELLA PER PORTA, BUSH FOR DOOR
16	RI000751	RI000751	RI000751	RI000751	RI000751	RI000751	RI000751	RI000751	RI000751	RI000751	RI000751						INTERRUTTORE LUMINOSO, SWITCH
17		RI00A031	RI00A031	RI00A031	RI00A031	RI00A031	RI00A031	RI00A031	RI00A031	RI00A031	RI00A031						SCHEDA ELETTRONICA TIPO E4, LED BOARD
18													RMI0A513				COPERCHIO 45°, UPPER PANEL
19													RP00A103				VASCA INTERNA, INTERNAL TRAY
20	RN00B333	RN00B333	RN00B333	RN00B333	RN00B333	RN00B333	RN00B333	RN00B333	RN00B333	RN00B333							GRIGLIA BLU PER FIANCO, BLU GRILL FOR LATERAL
21	RN00B367	RN00B367	RN00B367	RN00B367	RN00B367	RN00B367	RN00B367	RN00B367	RN00B367	RN00B367							TAPPI ANGOLARI PER COPERCHIO, COVER PLUGS

CARROZZERIA PRODUTTORE MODULARE GHIACCIO GRANULARE, CABINET FOR ICEFLAKER MODULAR

CODICE MODELLO- MODEL CODE

ES200 | ES320



CARROZZERIA PRODUTTORE MODULARE GHIACCIO GRANULARE, CABINET FOR ICEFLAKER MODULAR

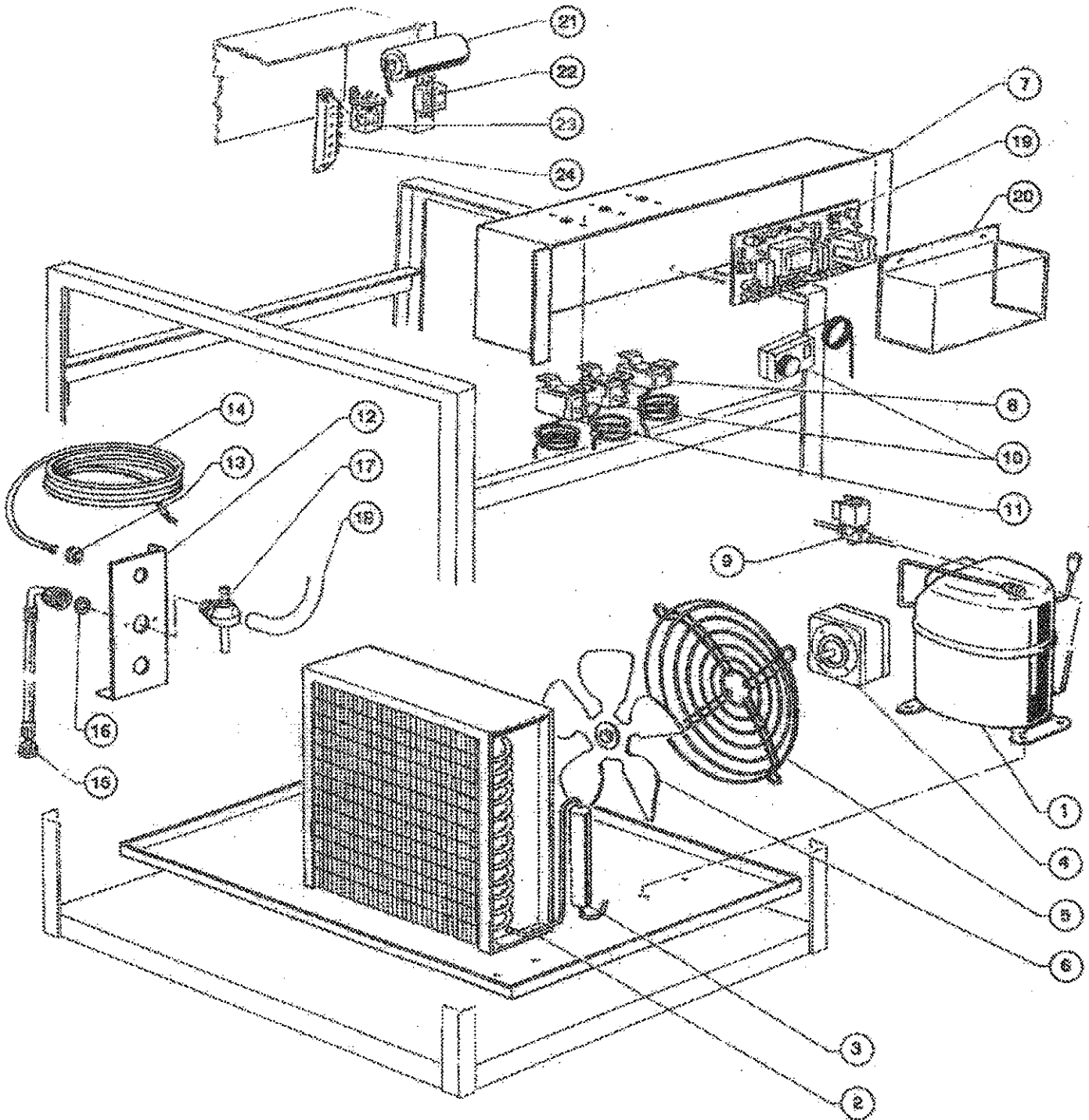
N°	CODICE - CODE		WA	DESCRIZIONE DESCRIPTION
	ES200	ES320		
1	RMI03243	RMI03243	WA	COPERCHIO, UPPER PANEL
2	RMI03166	RMI03166	WA	PANNELLO POSTERIORE, POSTERIOR PANEL
3	RMI03250	RMI03250	WA	PANNELLO FRONTALE, FRONTAL PANEL
4	RMI03157	RMI03157	WA	PANNELLO LATERALE SINISTRO, LEFT LATERAL PANEL
5	RMI03149	RMI03149	WA	PANNELLO LATERALE DESTRO, RIGHT LATERAL PANEL
6	RI000751	RI000751	WA	INTERRUTTORE, SWITCH
7	RI00A031	RI00A031	WA	SCHEDA ELETTRONICA TIPO E4, LED BOARD TYPE E4
8	RMI03249	RMI03249	WA	PANNELLO FRONTALE BASSO, FRONTAL PANEL

UNITA' CONDENSATRICE AD ARIA, AIR CONDENSING UNIT

CODICE MODELLO- MODEL CODE

ES200

ES320



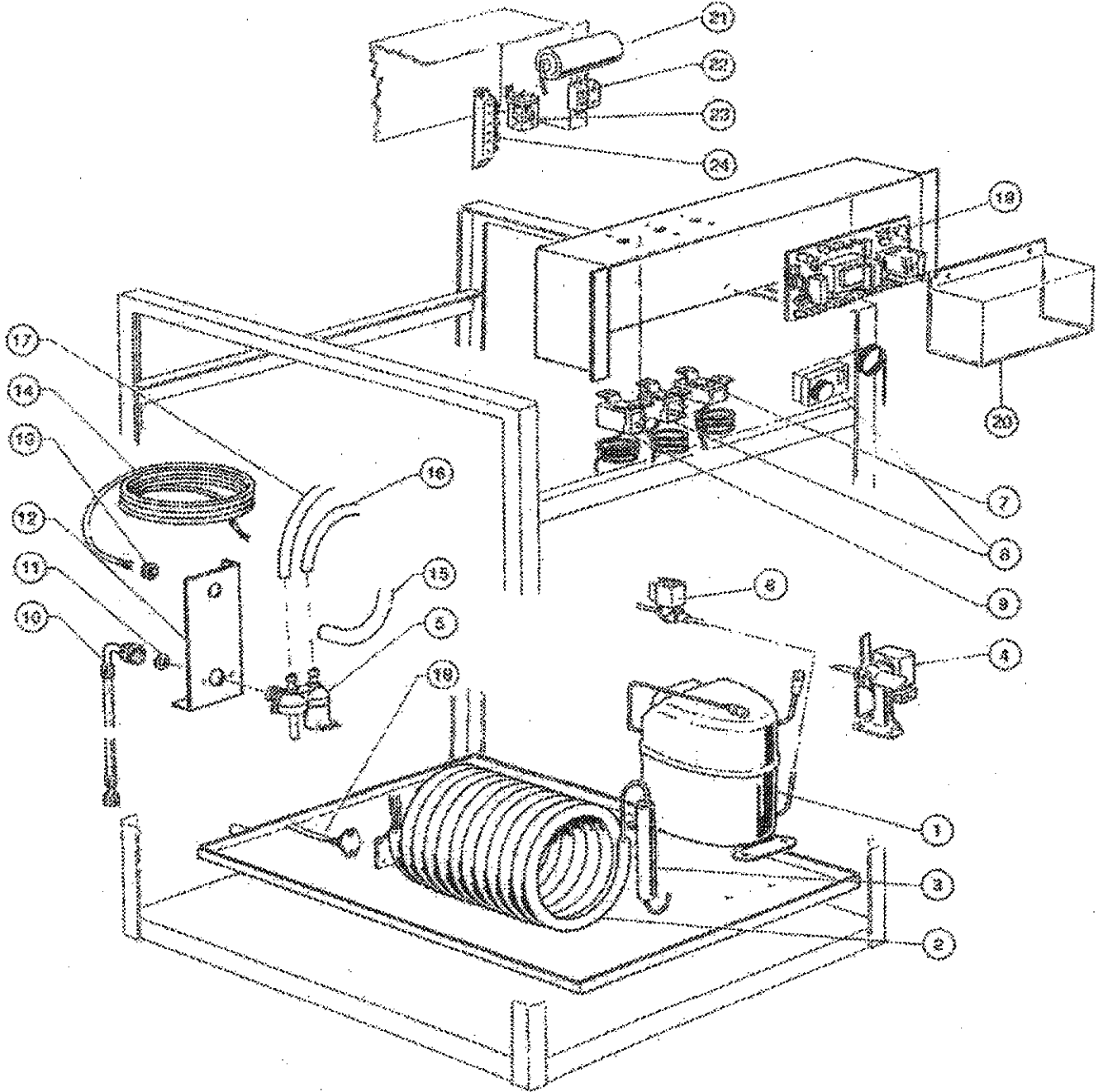
UNITA' CONDENSATRICE AD ARIA, AIR CONDENSING UNIT

N°	CODICE - CODE		A	DESCRIZIONE DESCRIPTION
	ES200	ES320		
1	RB00B149		A	COMPRESSORE R404a, R404a COMPRESSOR
		RB00B162		
2	RC00B425		A	CONDENSATORE ARIA AIR CONDENSER
		RC00B653		
3	RA00A775		A	PARTICOLARE LINEA ALTA PRESSIONE HIGH PRESSURE LINE
		RA00B421		
4	RD000510	RD000510	A	MOTORE PER VENTOLA 10/16W FAN MOTOR 10/16W
5	RC00B937		A	GRIGLIA DI SUPPORTO VENTILATORE, GRID FOR SUPPORT FAN
		RC00B938		
6	RD000521		A	VENTOLA ASPIRANTE diam.250/300, SUCTION FAN diam.250/300
		RD000499		
7	RM003261	RM003261	A	SCATOLA COMANDI ELETTRICI ELECTRIC SWITCH BOX
8	RF000615	RF000615	A	TERMOSTATO DEPOSITO BIN THERMOSTAT
9	RF000557	RF000557	A	VALVOLA SOLENOIDE, SOLENOID VALVE
10	RF000618	RF000618	A	TERMOSTATO PER EVAPORATORE, EVAPORATOR THERMOSTAT
11	RF000621	RF000621	A	PRESSOSTATO, PRESSURE CONTROL
12	RM001093	RM001093	A	STAFFA ALLACCIAMENTO IDRICO, WATER CONNECTION BRACKET
13	RI000736	RI000736	A	PASSACAVO PA 107 FAIR LEAD PA 107
14	RI000866	RI000866	A	CAVO DI ALIMENTAZIONE 3x1,5, POWER INPUT CABLE 3x1,5
15	RH000717	RH000717	A	TUBO CARICO ACQUA, WATER INLET TUBE
16	RH000708	RH000708	A	GUARNIZIONE PER TUBO CARICO ACQUA, GASKET FOR WATER INLET TUBE
17	RF00A581	RF00A581	A	ELETTROVALVOLA, ELECTROVALVE
18	RH000718	RH000718	A	TUBO ANTIGELO 10x16, TUBE 10x16
19	RI003551	RI003551	A	SCHEDA ELETTRONICA TIPO E2, LED BOARD TYPE E2
20	RH00B559	RH00B559	A	SCATOLA PROTEZIONE SCHEDA ELETTRICA, PROTECTION BOX
21	RB00C321		A	CONDENSATORE DI SPUNTO, START CONDENSER
		RB00C320		
22	RB00C323		A	RELE', RELAY
		RB00C322		
23	RI000761	RI000761	A	RELE', RELAY
24	RI000694	RI000694	A	MORSETTERIA 5+1, TERMINAL BLOCK

UNITA' CONDENSATRICE AD ACQUA, WATER CONDENSING UNIT

ES200 ES320

CODICE MODELLO- MODEL CODE



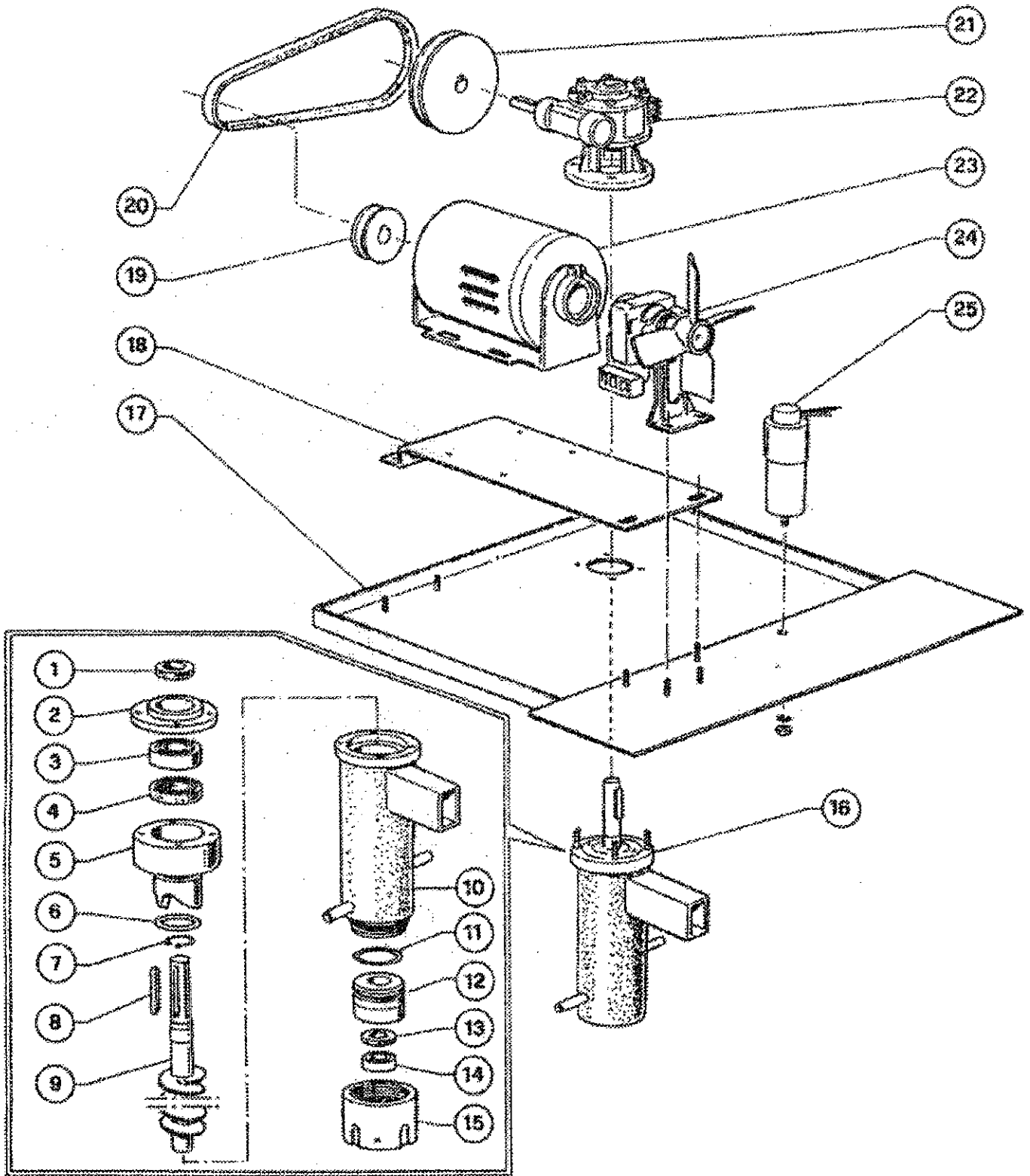
UNITA' CONDENSATRICE AD ACQUA, WATER CONDENSING UNIT

N°	CODICE - CODE		A	DESCRIZIONE DESCRIPTION
	ES200	ES320		
1	RB00B149		A	COMPRESSORE R404a, R404a COMPRESSOR
		RB00B162		
2	RC00A691		A	CONDENSATORE ACQUA, WATER CONDENSER
		RC00A689		
3	RF000543	RF000543	A	FILTRO 30 GR., FILTER
4	RD000509	RD000509	A	VENTILATORE EUM 03, FAN EUM 03
5	RF000690	RF000690	A	VALVOLA BP 1 USCITA LIBERA, WATER VALVE
6	RF000557	RF000557	A	VALVOLA SOLENOIDE, SOLENOID VALVE
7	RF000615	RF000615	A	TERMOSTATO DEPOSITO, BIN THERMOSTAT
8	RF000618	RF000618	A	TERMOSTATO EVAPORATORE, THERMOSTAT FOR EVAPORATOR
9	RF000621	RF000621	A	PRESSOSTATO, PRESSURE CONTROL
10	RH000717	RH000717	A	TUBO CARICO ACQUA, WATER INLET TUBE
11	RH000708	RH000708	A	GUARNIZIONE PER TUBO CARICO ACQUA, GASKET FOR WATER INLET TUBE
12	RM001093	RM001093	A	STAFFA ALLACCIAMENTO IDRICO, WATER CONNECTION BRACKET
13	RI000736	RI000736	A	PASSACAVO PA 107, FAIR LEAD PA 107
14	RI000866	RI000866	A	CAVO DI ALIMENTAZIONE 3x1,5, POWER INPUT CABLE 3x1,5
15	RH000718	RH000718	A	TUBO ANTIGELO 10x16, TUBE 10x16
16	RH001196		A	TUBO ENTRATA ACQUA CONDENSATORE, WATER INLET TUBE FOR CONDENSER
17	RH001212	RH001212	A	TUBO ACQUA EVAPORATORE, WATER TUBE EVAPORATOR
18	RF00B537	RF00B537	A	TERMOSTATO BIMETALLICO, DOUBLE METAL THERMOSTAT
19	RI003551	RI003551	A	SCHEDA ELETTRONICA TIPO E2, LED BOARD TYPE E2
20	RH00B559	RH00B559	A	SCATOLA PROTEZIONE SCHEDA ELETTRICA, PROTECTION BOX
21	RB00C321		A	CONDENSATORE DI SPUNTO, START CONDENSER
		RB00C320		
22	RB00C323		A	RELE', RELAY
		RB00C322		
23	RI000761	RI000761	A	RELE', RELAY
24	RI000694	RI000694	A	MORSETTERIA 5+1, TERMINAL BLOK

ASSIEME EVAPORATORE, EVAPORATOR

CODICE MODELLO - MODEL CODE

ES50 | ES70 | ES100



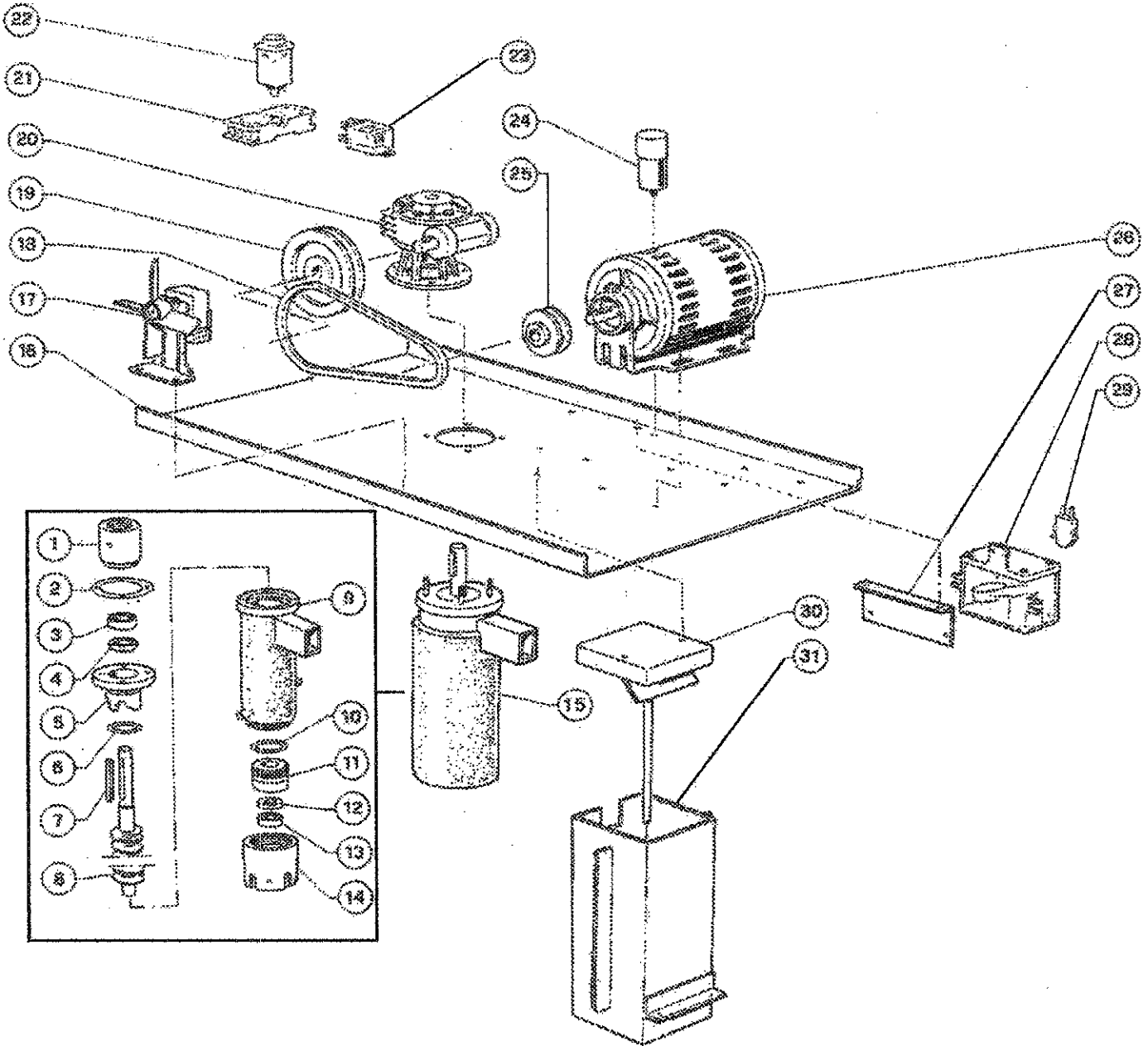
ASSIEME EVAPORATORE, EVAPORATOR

N°	CODICE - CODE			AW	DESCRIZIONE DESCRIPTION
	ES50	ES70	ES100		
1	RV003315	RV003315	RV003315	AW	CORTECO DPSM 18/28/7, GASKET CORTECO
2	RV003444	RV003444	RV003444	AW	COPERCHI CUSCINETTO SUPERIORE, PANEL OF THE UPPER BEARING
3	RV003324	RV003324	RV003324	AW	CUSCINETTO PER EVAPORATORE, BEARING FOR EVAPORATOR
4	RV003312	RV003312	RV003312	AW	CORTECO DPSM 22/32/7, GASKET CORTECO
5	RV003458	RV003458	RV003458	AW	GHIERA CON DENTE CENTRALE, RINGNUT WHITH TOOTH
6	RV003306	RV003306	RV003306	AW	OR 4125
7	RV003328	RV003328	RV003328	AW	SIGGER
8	RV003349	RV003349	RV003349	AW	CHIAVELLA 6X6X60, KEY 6X6X60
9	RV003440	RV003440	RV003441	AW	VITE SENZA FINE, WORM SCREW FOR EVAPORATOR
10	RV003424	RV003424	RV003425	AW	CORPO EVAPORATORE SCHIUMATO, FOAMED EVAPORATOR
11	RV003306	RV003306	RV003306	AW	OR 4125
12	RV003451	RV003451	RV003451	AW	BUSSOLA INFERIORE, LOWER BUSH
13	RV003311	RV003311	RV003311	AW	CORTECO DPSM 15-24-7, GASKET CORTECO
14	RV003319	RV003319	RV003319	AW	CUSCINETTO PER EVAPORATORE, BEARING FOR EVAPORATOR
15	RV003448	RV003448	RV003448	AW	TAPPO INFERIORE, LOWER PLUG
16	RV003430	RV003430	RV003431	AW	EVAPORATORE COMPLETO, COMPLETE EVAPORATOR
17	RM003264	RM003268	RM003265	AW	PIANO PORTA RIDUTTORE, RIDUCER HOLDER SUPPORT
18	RM003256	RM003256		AW	SUPPORTO MOTORE, MOTOR SOPPORT
19	RV003202	RV003202	RV003202	AW	PULEGGIA DENTATA PER MOTORE, SMALL PULLEY
20	RV00B075	RV00B075	RV00B075	AW	CINGHIA DENTATA, BELT
21	RV003203	RV003203	RV003203	AW	PULEGGIA DENTATA PER RIDUTTORE, BIG PULLEY
22	RG00B141	RG00B141	RG00B141	AW	RIDUTTORE NR040F, REDUCTION GEAR
23	RG000647	RG000647	RG000647	AW	MOTORE PER SCAGLIE, ELETTRIC MOTOR
24	RD000509	RD000509	RD000508	AW	VENTILATORE eum 02/03, FAN eum 02/03
25	RG00A635	RG00A635	RG00A635	AW	CONDENSATORE PER MOTORE, CONDENSER FOR MOTOR

ASSIEME EVAPORATORE, EVAPORATOR

CODICE MODELLO- MODEL CODE

ES200 ES320



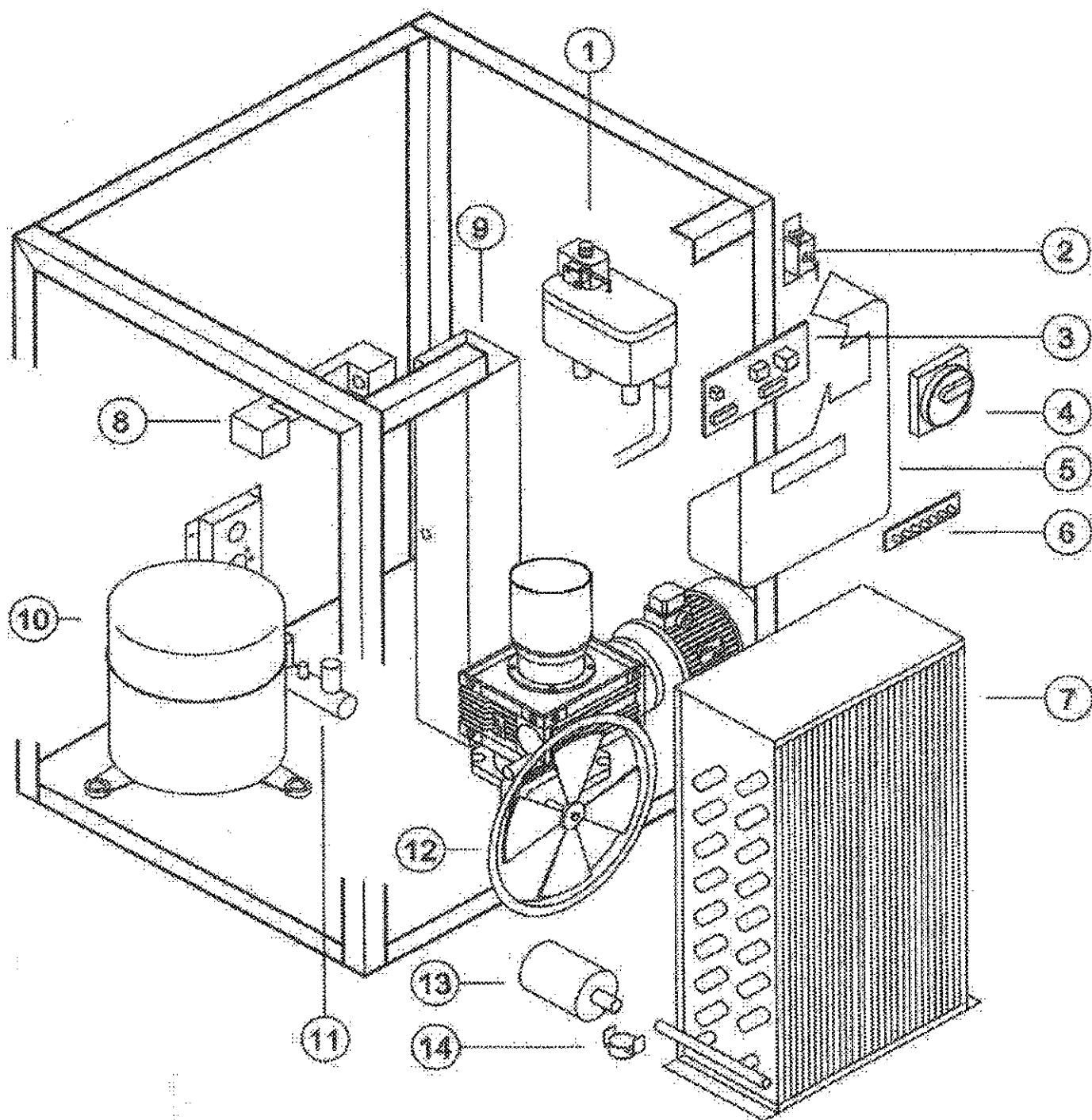
ASSIEME EVAPORATORE, EVAPORATOR

N°	ES200	ES320	CODICE - CODE						AW	DESCRIZIONE DESCRIPTION
1	RV003439	RV003439							AW	ANELLO SERRAGGIO EVAPORATORE, CLAMPING RING
2	RV003465	RV003465							AW	DISCO PER CUSCINETTO EVAPORATORE, SUPPORT FOR
3	RV003322	RV003322							AW	CUSCINETTO PER EVAPORATORE, BEARING FOR EVAPORATOR
4	RV003314	RV003314							AW	CORTECO DPSM 27/377, GASKET CORTECO
5	RV00A049	RV00A049							AW	GHIERA CON DENTE CENTRALE, RINGNUT WHITH TOOTH
6	RV003307	RV003307							AW	OR 4150
7	RV003351	RV003351							AW	CHIAVELLA 8X7X60, KEY 8X7X60
8	RV003442	RV003442							AW	VITE SENZA FINE, WORM SCREW FOR EVAPORATOR
9	RV003426	RV003426							AW	CORPO EVAPORATORE SCHUMATO, FOAMED EVAPORATOR
10	RV003307	RV003307							AW	OR 4150
11	RV003452	RV003452							AW	BUSSOLA INFERIORE, LOWER BUSH
12	RV003316	RV003316							AW	CORTECO DPSM 22 32-7, GASKET CORTECO
13	RV003324	RV003324							AW	CUSCINETTO PER EVAPORATORE, BEARING FOR EVAPORATOR
14	RV003449	RV003449							AW	TAPPO INFERIORE, LOWER PLUG
15	RV003432	RV003432								EVAPORATORE COMPLETO, COMPLETE EVAPORATOR
16	RM003267	RM003267							AW	PIANO PORTA RIDUTTORE, RIDUCER HOLDER SUPPORT
17	RD000510	RD000510							AW	VENTILATORE eum01, FAN eum01
18	RV00B389	RV00B389							AW	CINGHIA DENTATA, BELT
19	RV00A296	RV00A297							AW	PULEGGIA DENTATA PER RIDUTTORE, BIG PULLEY
20	RG00B648	RG00B647							AW	RIDUTTORE, REDUCTION GEAR
21	RF000556	RF000556							AW	CONNETTORE PER TEMPORIZZATORE, TIMER CONNECTOR
22	RF000555	RF000555							AW	TEMPORIZZATORE, TIMER
23	RI000761	RI000761							AW	RELE, RELAY
24	RG000632	RG000632							AW	CONDENSATORE PER MOTORE, CONDENSER FOR MOTOR
25	RV00A299	RV00A299							AW	PULEGGIA MOTORE, SMALL PULEGGIA
26	RG000650	RG000650							AW	MOTORE PER SCAGLIE, ELECTRIC MOTOR
27	RM003277	RM003277							AW	SUPPORTO GALLEGGIANTE, FLOAT SUPPORT
28	RH000828	RH000828							AW	GALLEGGIANTE, FLOAT BALL
29	RI000800	RI000800							AW	MICRO GALLEGGIANTE, FLOAT BALL MICRO SWITCH
30	RM001095	RM001095							AW	COPERCHIO CONVOGLIATORE, SUPPORT UPPER PANEL
31	RM001094	RM001094							AW	CONVOGLIATORE COMPLETO, COMPLETE SUPPORT

PRODUTTORE DI GHIACCIO GRANULARE ES600, ICEFLAKERS ES600

CODICE MODELLI- MODEL CODE

ES 600



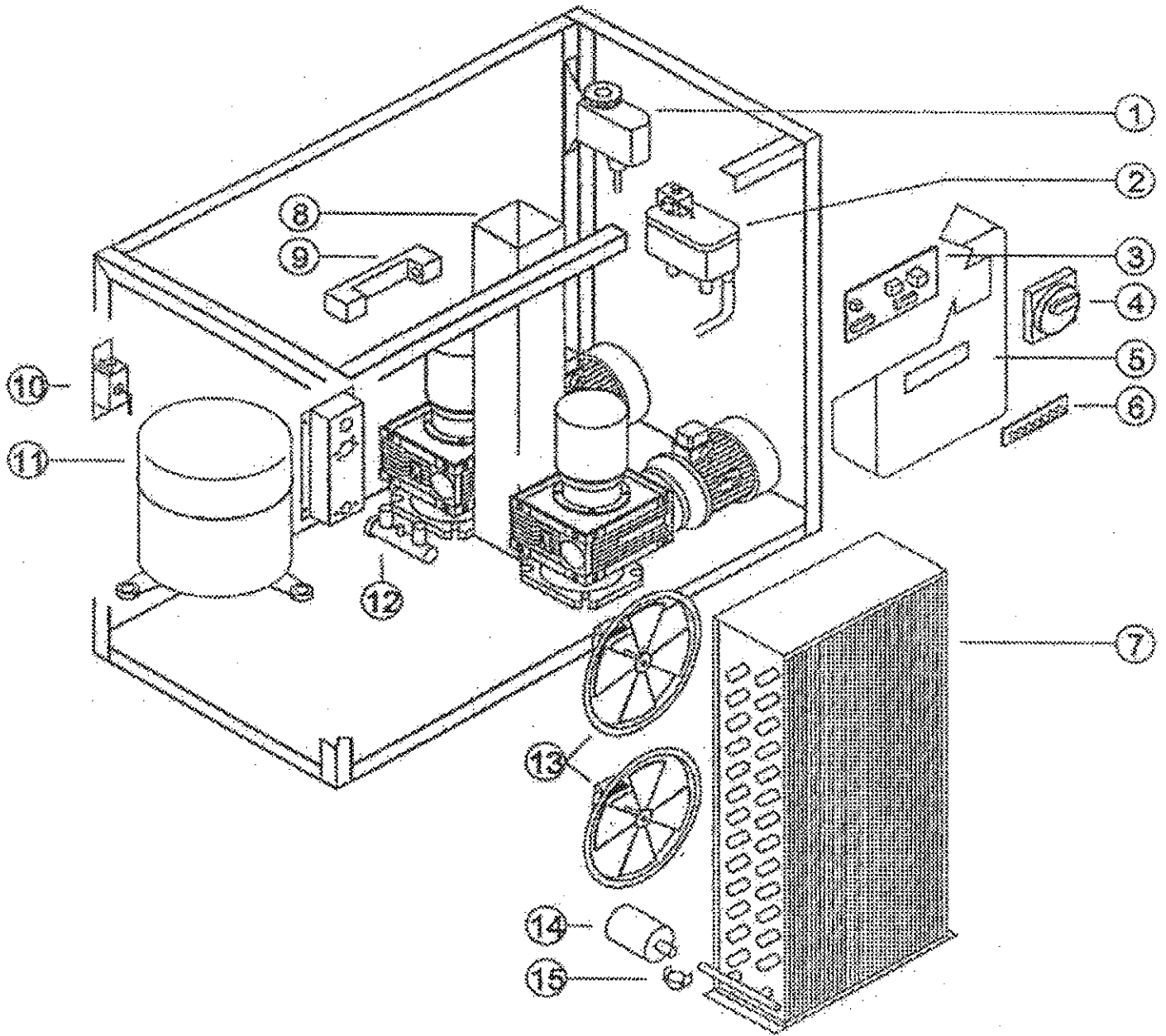
PRODUTTORE DI GHIACCIO GRANULARE ES600, ICEFLAKERS ES600

N°	ES600	CODICE - CODE	W	DESCRIZIONE DESCRIPTION
1	RH000828		W	GALLEGGIANTE, FLOAT BALL
2	RF000621		W	PRESSOSTATO, PRESSURE CONTROL
3	RI00B510		W	SCHEDA ELETTRONICA E3IR, LED BOARD E3IR
4	RI00B672		W	INTERRUTTORE (220v), SWITCH (220v)
4bis	RI00B673		W	INTERRUTTORE (380v), SWITCH (380v)
5	RI00B560		W	PANNELLO COMANDI ELETTRICI (220v), BOX FOR ELECTRICAL PARTS (220v)
5 bis	RI00B491		W	PANNELLO COMANDI ELETTRICI (380v), BOX FOR ELECTRICAL PARTS (380v)
6	RI00B511		W	SCHEDA ELETTRONICA EE1, LED BOARD EE1
7	RC00A717		W	CONDENSATORE AD ARIA, AIR CONDENSER
8	RML0B474		W	SUPPORTO RILEVATORI, FILLING DETECTING UNITS
9	RH00B515		W	CONDOTTO, SUPPORT
10	RB00A408		W	COMPRESSORE(220v), COMPRESSOR(220v)
10 bis	RB00B552		W	COMPRESSORE(380v), COMPRESSOR(220v)
11	RH000665		W	COLLETORE SCARICO ACQUA, NYLON WATER OUTLET
12	RD00B462		W	VENTOLA+MOTORE+ FLANGIA, FAN MOTOR
13	RF00B128		W	FILTRO MOLECOLARE, FILTER
14	RF00B537		W	TERMOSTATO BIMETALLICO, DOUBLE METAL THERMOSTAT

PRODUTTORE DI GHIACCIO GRANULARE ES1100, ICEFLAKERS ES1100

CODICE MODELLI- MODEL CODE

ES 1100

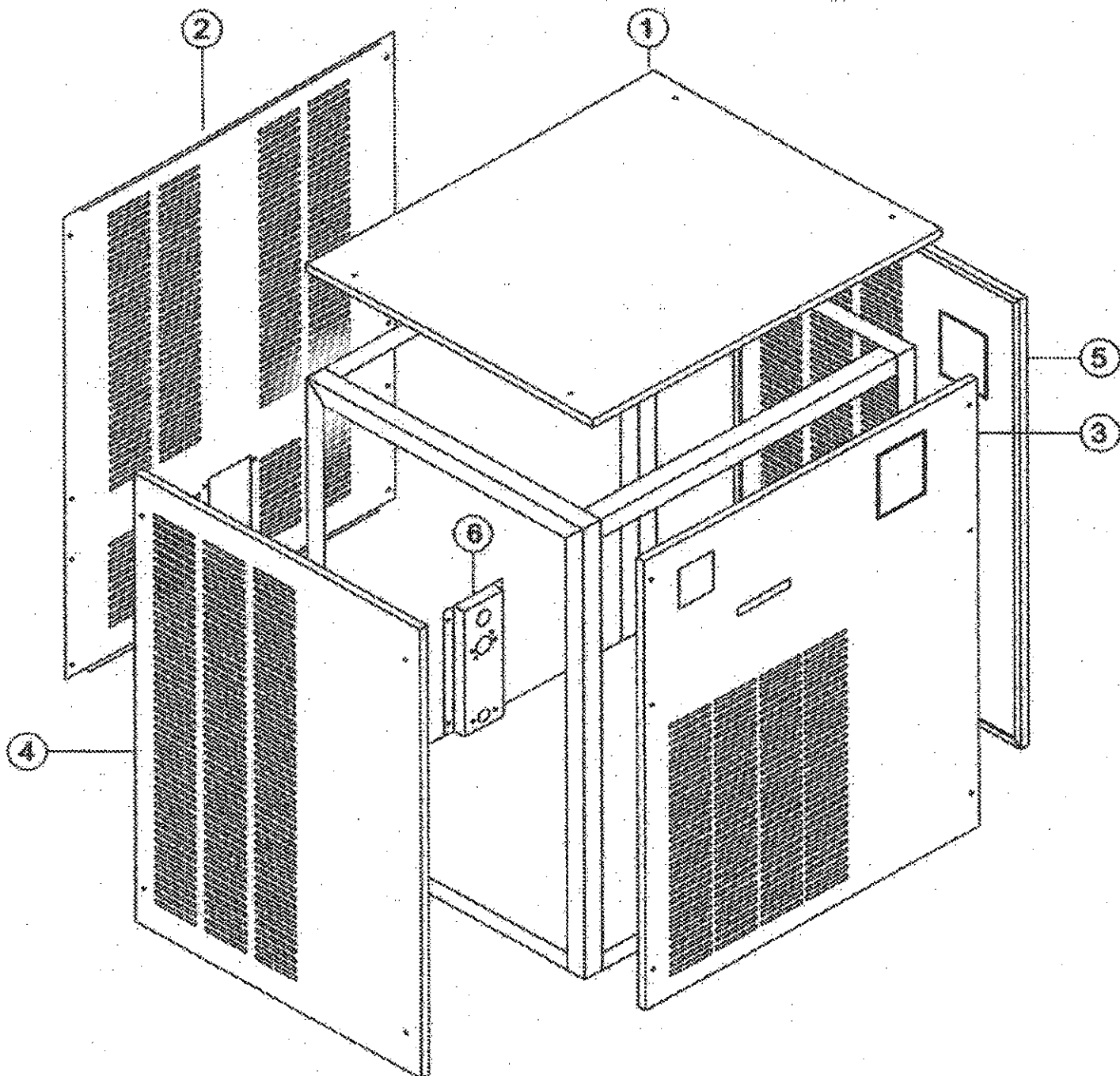


PRODUTTORE DI GHIACCIO GRANULARE ES1100, ICEFLAKERS ES1100

N°	ES 1100	CODICE - CODE	A	DESCRIZIONE DESCRIPTION
1	RF00B633		A	PRESSOSTATO, PRESSURE CONTROL
2	RH00B632		A	GALLEGGIANTE, FLOAT BALL
3	RI00B510		A	SCHEDA ELETTRONICA E3IR, LED BOARD E3IR
4	RI00B673		A	INTERRUTTORE (380V), SWITCH (380V)
5	RI00B652		A	PANNELLO COMANDI ELETTRICI, BOX FOR ELECTRICAL PARTS
6	RI00B511		A	SCHEDA ELETTRONICA EE1, LED BOARD EE1
7	RC00B581		A	CONDENSATORE AD ARIA, AIR CONDENSER
8	RH00B515		A	CONDOTTO, SUPPORTO
9	RML0B474		A	SUPPORTO RILEVATORI, FILLING DETECTING UNITS
10	RF000621		A	PRESSOSTATO, PRESSURE CONTROL
11	RB00B631		A	COMPRESSORE, COMPRESSOR
12	RH000665		A	COLLETORE SCARICO ACQUA, NYLON WATER OUTLET
13	RD00B462		A	VENTOLA+MOTORE+ FLANGIA, FAN MOTOR
14	RF00B650		A	FILTRO MOLECOLARE, FILTER
15	RF00B537		A	TERMOSTATO BIMETALLICO, DOUBLE METAL THERMOSTAT

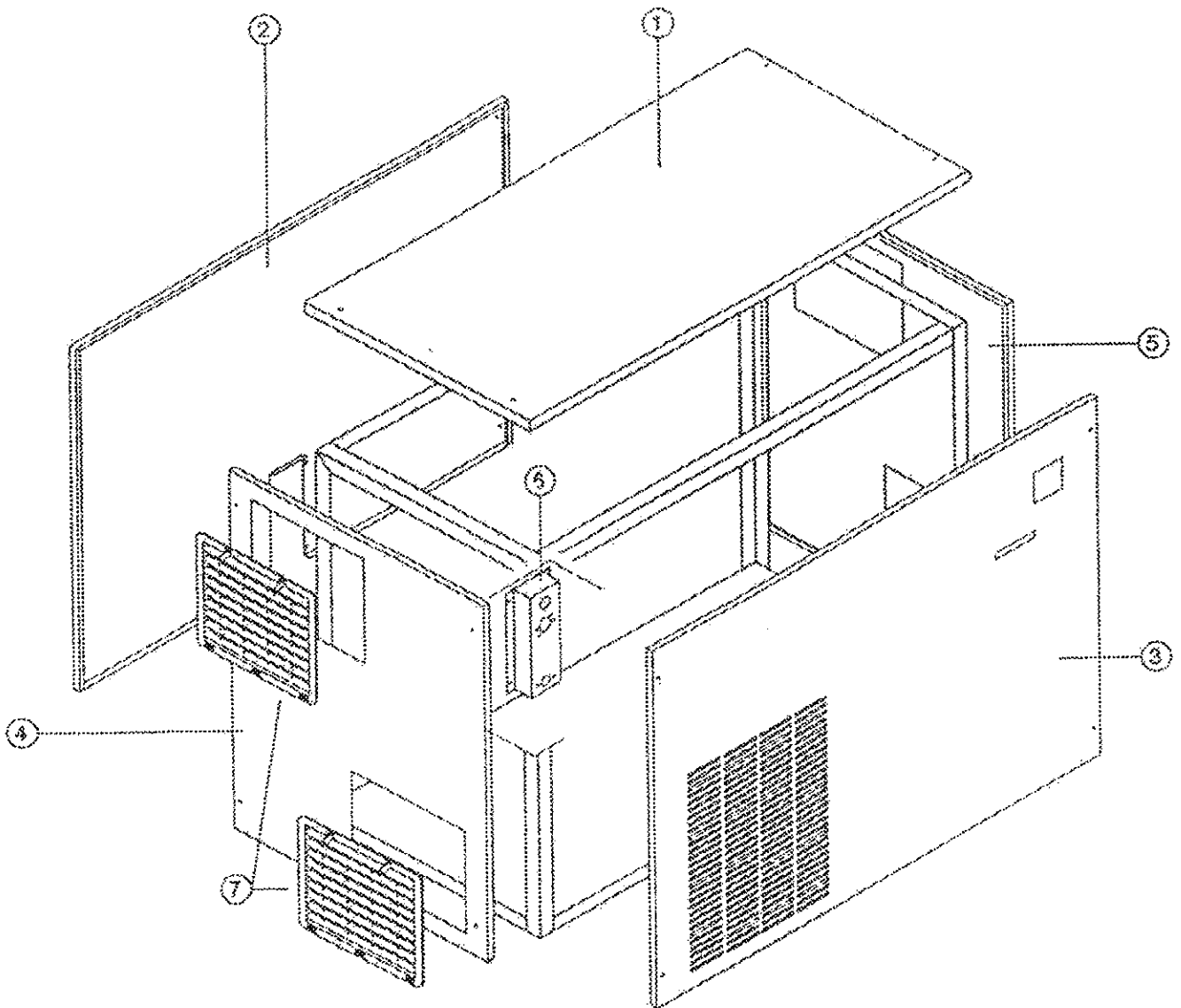
CARROZZERIA PRODUTTORE GHIACCIO GRANULARE ES600, CABINET FOR ICEFLAKERS ES600

N°	ES600	CODICE - CODE	A-W	DESCRIZIONE DESCRIPTION
1	RMI0C153		A-W	COPERCHIO, UPPER PANEL
2	RMI0B645		A-W	PANNELLO POSTERIORE, POSTERIOR PANEL
3	RMI0B488		A-W	PANNELLO FRONTALE, FRONTAL PANEL
4	RMI0C155		A-W	PANNELLO LATERALE SINISTRO, LEFT LATERAL PANEL
5	RMI0C154		A-W	PANNELLO LATERALE DESTRO, RIGHT LATERAL PANEL
6	RM00C156		A-W	STAFFA FISSAGGIO RACCORDI, FLAG FOR CONDENSER UNIT



CARROZZERIA PRODUTTORE GHIACCIO GRANULARE ES1100, CABINET FOR ICEFLAKERS ES1100

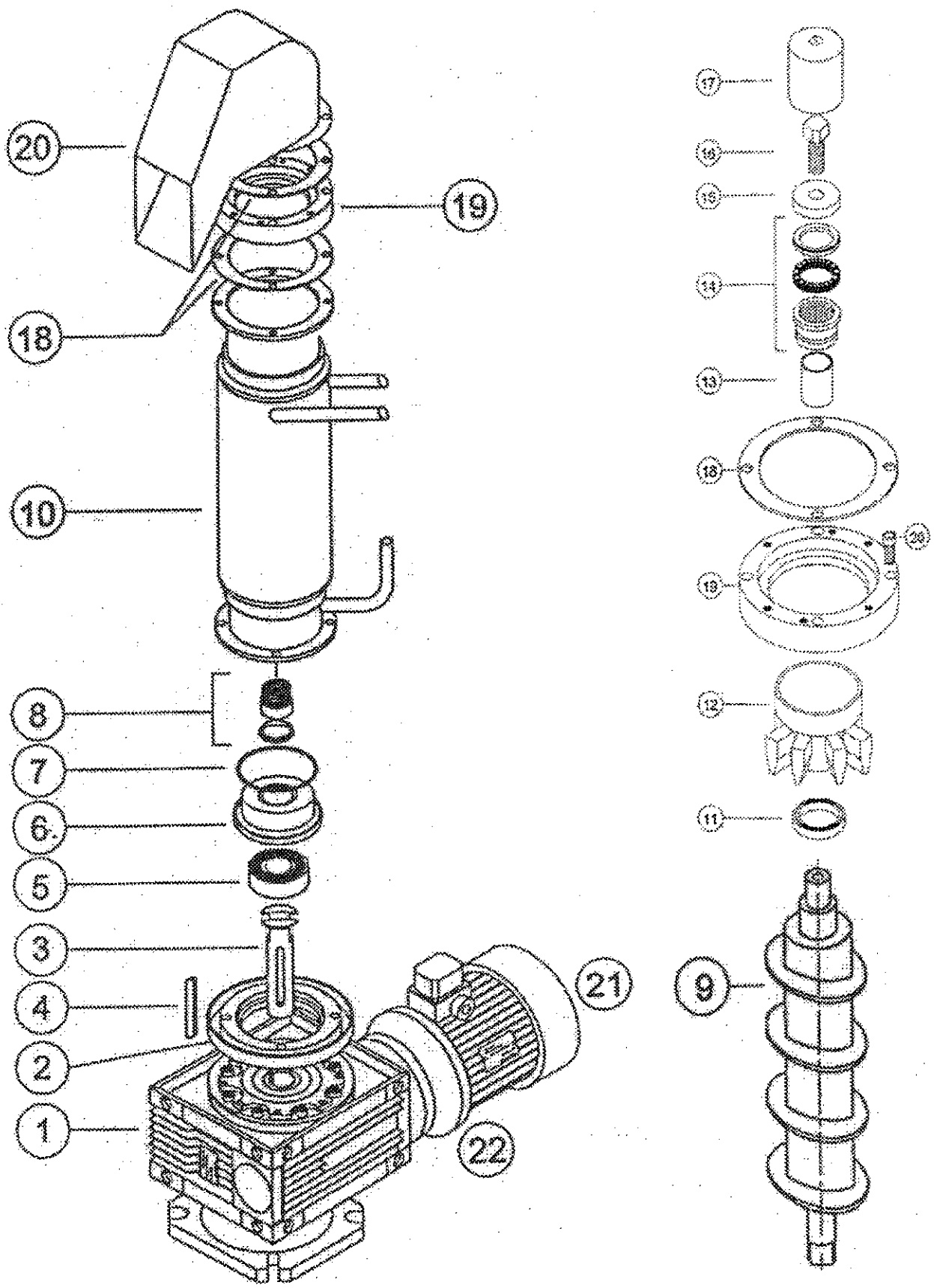
N°	ES1100	CODICE - CODE	A-W	DESCRIZIONE DESCRIPTION
1	RMI0B610		A-W	COPERCHIO, UPPER PANEL
2	RML0B612		A-W	PANNELLO POSTERIORE, POSTERIOR PANEL
3	RMI0B609		A-W	PANNELLO FRONTALE, FRONTAL PANEL
4	RMI0B607		A-W	PANNELLO LATERALE SINISTRO, LEFT LATERAL PANEL
5	RMI0B608		A-W	PANNELLO LATERALE DESTRO, RIGHT LATERAL PANEL
6	RML0B613		A-W	STAFFA FISSAGGIO RACCORDI, FLAG FOR CONDENSER UNIT
7	RN00B333		A-W	GRIGLIA BLU PER FIANCO, BLU GRILL FOR LATERAL



ASSIEME EVAPORATORE ES1100 ES600(380v), EVAPOR SET ES1100 ES600(380V)

CODICE MODELLI- MODEL CODE

ES1100 | ES 600



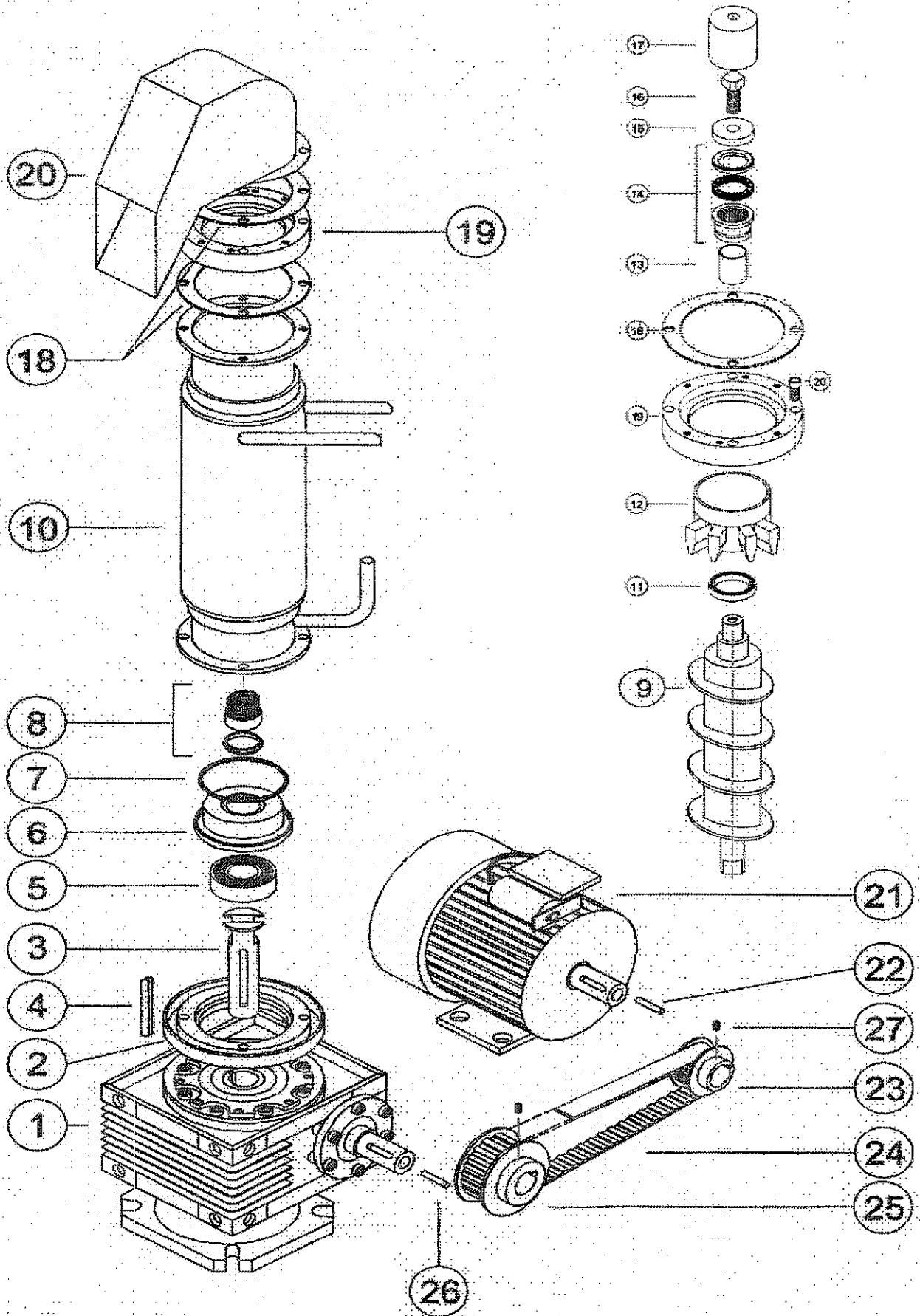
ASSIEME EVAPORATORE ES1100 ES600(380V), EVAPOR SET ES1100 ES600(380V)

N°	CODICE - CODE		A-W	DESCRIZIONE DESCRIPTION
	ES1100	ES 600		
1	RG00B467	RG00B467	A-W	Riduttore a vite NRV100F, Screw Reducer
2	RV00A750	RV00A751	A-W	Flangia Isolante Evaporatore, Evaporator Flange
3	RV00A753	RV00A753	A-W	Giunto Riduttore, Reducer Joint
4	RV00B156	RV00B156	A-W	Chiavetta per Giunto, Joint Key
5	RV00A764	RV00A764	A-W	Cuscinetto del Fondo Evap., Bearing
6	RV00A751	RV00A751	A-W	FONDO EVAPORATORE, EVAPORATOR BASE
7	RV00B115	RV00B115	A-W	OR FONDO EVAPORATORE, OR RING
8	RV00B114	RV00B114	A-W	GUARNIZIONE ROTEN, HOLDING GASKET
9	RV00A741	RV00A741	A-W	VITE SENZA FINE, WORM SCREW
10	RV00A749	RV00A749	A-W	GRUPPO EVAPORATORE, SET EVAPORATOR
11	RV00A768	RV00A768	A-W	CORTECO TRAFILA, CORTECO RING
12	RV00A752	RV00A752	A-W	TRAFILA 9 DENTI, ICE BREAKING KNIFE
13	RV00A767	RV00A767	A-W	ANELLO INTERNO, INTERNAL RING
14	RV00A765	RV00A765	A-W	CUSCINETTO SUPERIORE, TOP BEARING
15	RV00A754	RV00A754	A-W	SPALLAMENTO CUSCINETTO SUPERIORE, SPACER FOR TOP BEARING
16	RR00A757	RR00A757	A-W	VITE BRUNITA, BURNISHED SCREW
17	RV00A760	RV00A760	A-W	CAPPUCCIO PROTEZIONE SUPERIORE, SAFETY CAP FOR TOP BEARING
18	RV00B105	RV00B105	A-W	GUARNIZIONE ANELLO TRAFILA, GASKET RING
19	RV00A762	RV00A762	A-W	ANELLO SERRAGGIO TRAFILA, GASKET RING
20	RH00B584	RH00B584	A-W	TRAMOGGIA PER INTERNO, INTERNAL HOPPER
21	RG00B468	RG00B468	A-W	MOTORE TRIFASE 0,55kw, ELECTRIC MOTOR 0,55kw
22	RG00B469	RG00B469	A-W	MOTORIDUTTORE + MOTORE, MOTOR+SCREW REDUCER

ASSIEME EVAPORATORE ES600(220 v), EVAPOR SET ES600(220 v)

CODICE MODELLI-MODEL CODE

ES 600



ASSIEME EVAPORATORE ES600(220 v), EVAPOR SET ES600(220 v)

N°	ES600	CODICE - CODE	A-W	DESCRIZIONE DESCRIPTION
1	RG00B142		A-W	Riduttore a vite NRV075F, Screw Reducer
2	RV00A750		A-W	Flangia Isolante Evaporatore, Evaporator Flange
3	RV00A753		A-W	Giunto Riduttore, Reducer Joint
4	RV00B156		A-W	CHIAVETTA PER GIUNTO, JOINT KEY
5	RV00A764		A-W	Cuscinetto del Fondo Evap., Bearing
6	RV00A751		A-W	FONDO EVAPORATORE, EVAPORATOR BASE
7	RV00B115		A-W	OR FONDO EVAPORATORE, OR RING
8	RV00B114		A-W	GUARNIZIONE ROTEN, HOLDING GASKET
9	RV00A741		A-W	VITE SENZA FINE, WORM SCREW
10	RV00A749		A-W	GRUPPO EVAPORATORE, SET EVAPORATOR
11	RV00A768		A-W	CORTECO TRAFILA, CORTECO RING
12	RV00A752		A-W	TRAFILA 9 DENTI, ICE BREAKING KNIFE
13	RV00A767		A-W	ANELLO INTERNO, INTERNAL RING
14	RV00A765		A-W	CUSCINETTO SUPERIORE, TOP BEARING
15	RV00A754		A-W	SPALLAMENTO CUSCINETTO SUPERIORE, SPACER FOR TOP BEARING
16	RR00A757		A-W	VITE BRUNITA, BURNISHED SCREW
17	RV00A760		A-W	CAPPUCCIO PROTEZIONE SUPERIORE, SAFETY CAP FOR TOP BEARING
18	RV00B105		A-W	GUARNIZIONE ANELLO TRAFILA, GASKET RING
19	RV00A762		A-W	ANELLO SERRAGGIO TRAFILA, GASKET RING
20	RH00B584		A-W	TRAMOGGIA PER INTERNO, INTERNAL HOPPER
21	RG00B468		A-W	MOTORE TRIFASE 0,55kw, ELECTRIC MOTOR 0,55kw
22	RV00B268		A-W	CHIAVETTA PER GIUNTO, JOINT KEY
23	RV00B242		A-W	PULEGGIA DENTATA MOTORE, DRIVING PULLEY
24	RV00A758		A-W	CINGHIA DENTATA, TOOTHED BELT
25	RV00B243		A-W	PULEGGIA DENTATA RIDUTTORE, REDUCTOR PULLEY
26	RV00B269		A-W	CHIAVETTA PER RIDUTTORE, JOINT KEY
27	RR002071			GRANO INOX 5X8, INOX GRAIN



VIA DON STURZO, 20 - 20020 LAINATE (MI) - ITALY
TEL. ++39.0293571515 r.a. - FAX +39.0293571521
<http://www.eurfrigor.it>
E-mail: info@eurfrigor.it