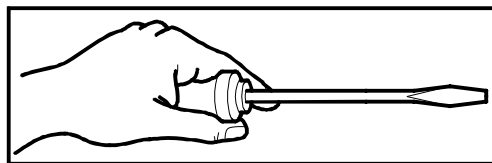
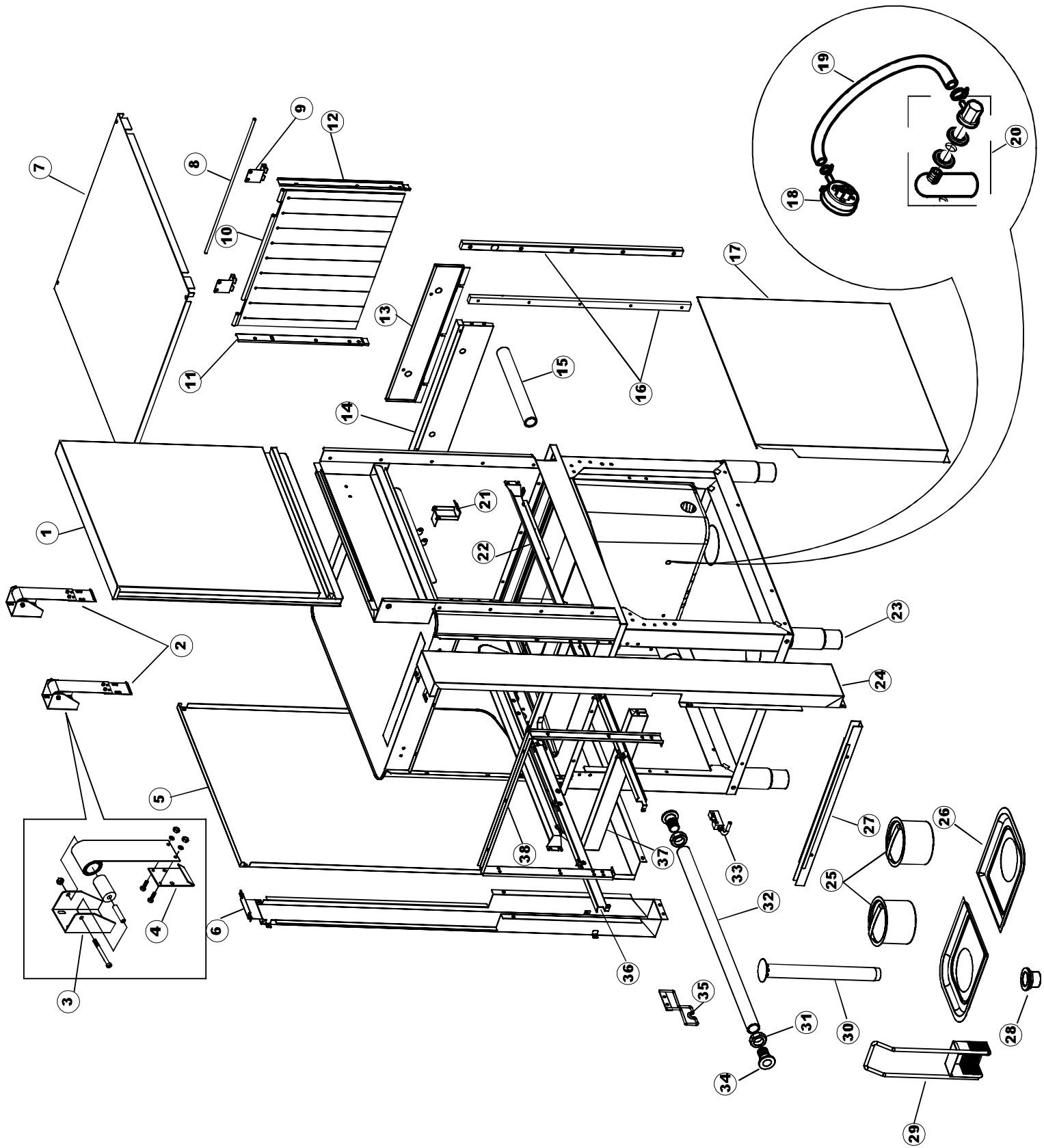


RIVER 154





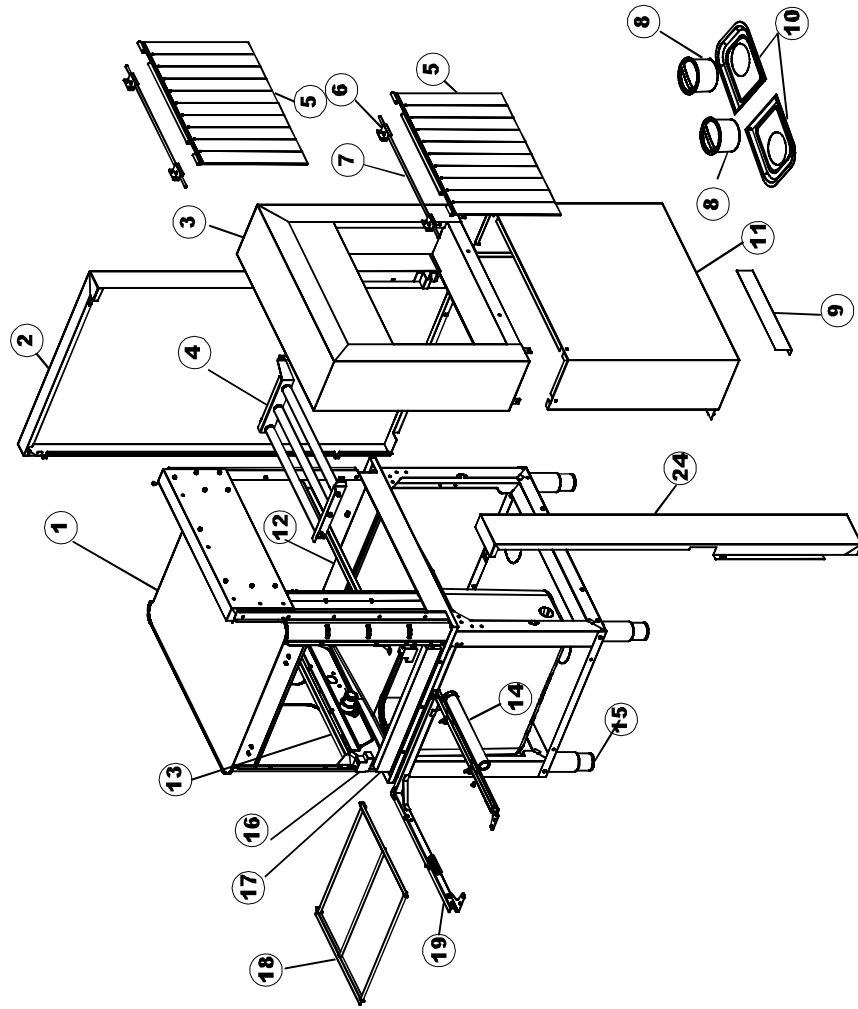
Listino componenti per pagina 1

1	77534	SPORTELLO PRELAVAGGIO COMPLETO PORTE TUER DOOR PUERTA	
2	77560	KIT MOLLE SPORTELLO PRELAVAGGIO TRAINO RESSORT KIT FEDER KIT DOOR SPRING KIT KIT MUELLES PORTEZ. PRELAVADO ACCION.	
3	75225	SCATOLA SUPPORTO MOLLE SPORT. PG FINITO CAJA SOPORTE MUELLE PUERTA PG ACAB.	
4	75226	GANCIO MOLLA SPORTELLO TRAINO PG FINITO CROCHET DE SURETE PORTE SICHERHEITSHAKEN FUER TUER DOOR SAFETY HOOK FOR RACK-CONVEYOR GANCHO DE SEGURIDAD PARA PUERTA	
5	77539	PANNELLO POSTERIORE PREL PG.FINITO PANNEAU ARRIERE RUECKWAND BACK PANEL PANEL TRASERO PRELAV. PG.ACABADO	
6	77541	MONTANTE CENTRALE POST. PG. FINITO SUPPORT CENTRAL SUPPORT-CENTER RÜCKSEITE SUPPORT CENTER BACK CENTRO DE SOPORTE POSTERIOR	
7	77542	PANNELLO SUP. ESTERNO PG FINITO HAUT PANNEAU OBER PANEEL TOP PANEL PANEL SUP. ESTERNO PG ACABADO	
8	75121	SOSTEGNO TENDINA PER LAVASTOVIGLIE A SUPPORT RIDEAU POUR LAVE-VAISSELLE A LAGER FUER VORHANG FUER KORBDURCHLAUF- CURTAIN SUPPORT FOR RACK-CONVEYOR DISH- VARA SOSTEN CORTINA ACCION.	
9	75581	SQ. SUPPORTO TENDINA PG FINITA ÉQUERRE SUPPORT RIDEAU PG - ACHEVÉE BEFESTIGUNGSWINKEL FUER VORHANG - FERTIGTEIL CURTAIN SUPPORTING BRACKET - FINISHED PART ESC. SOPORTE CORTINA PG ACABADA	
10	75120	TENDINE ENTRATA/USCITA TRAINO rideau Vorhang CURTAIN CORTINAS ENTRADA/SALIDA ACCION.	
11	75327	CANALE DX TENUTA ANGOLARE ESTERNO PIEGATO FINITO CANAL EXTERIEUR A GAUCHE AVEC ETANCHE ANGULAIRE AUSSENENLINKKANAL MIT ECK-DICHTIGKEIT EXTERNAL CORNER SEAL LEFT CONDUCT	
12	75328	CANALE SINISTRO TENUTA ANGOLARE ESTERNO PIEGATO FI CANAL EXTERIEUR A GAUCHE AVEC ETANCHE ANGULAIRE AUSSENENLINKKANAL MIT ECK-DICHTIGKEIT EXTERNAL CORNER SEAL LEFT CONDUCT CANAL IZQDO. ESTANQ. ANGULAR EXT. PG ACA	
13	75307	SPONDA INFERIORE ESTERNA PG - FINITA FAÇADE INFÉRIURE EXTÉRIEURE PG AEÜSSERE VORDERPLATTE UNTEN PG LOWER ESTERNAL FRONT PANEL - FINISHED CONEXIÓN PANEL INFERIOR EXTERNO	
14	75308	SPONDA INTERNA INFERIORE PG FINITA FAÇADE INTERNE INFÉRIURE PG -PIÈCE INNEREUNTERE VORDERPLATTE PG-FERTIGTEIL INNER LOWER FRONT PANEL - FINISHED PART CONEXIÓN PANEL INFERIOR INTERNA	
15	77526	TUBO COLLEGAMENTO VASCHE SCHLAUCH HOSE TUBE TUBO CONEX. CUBETAS L=320MM	

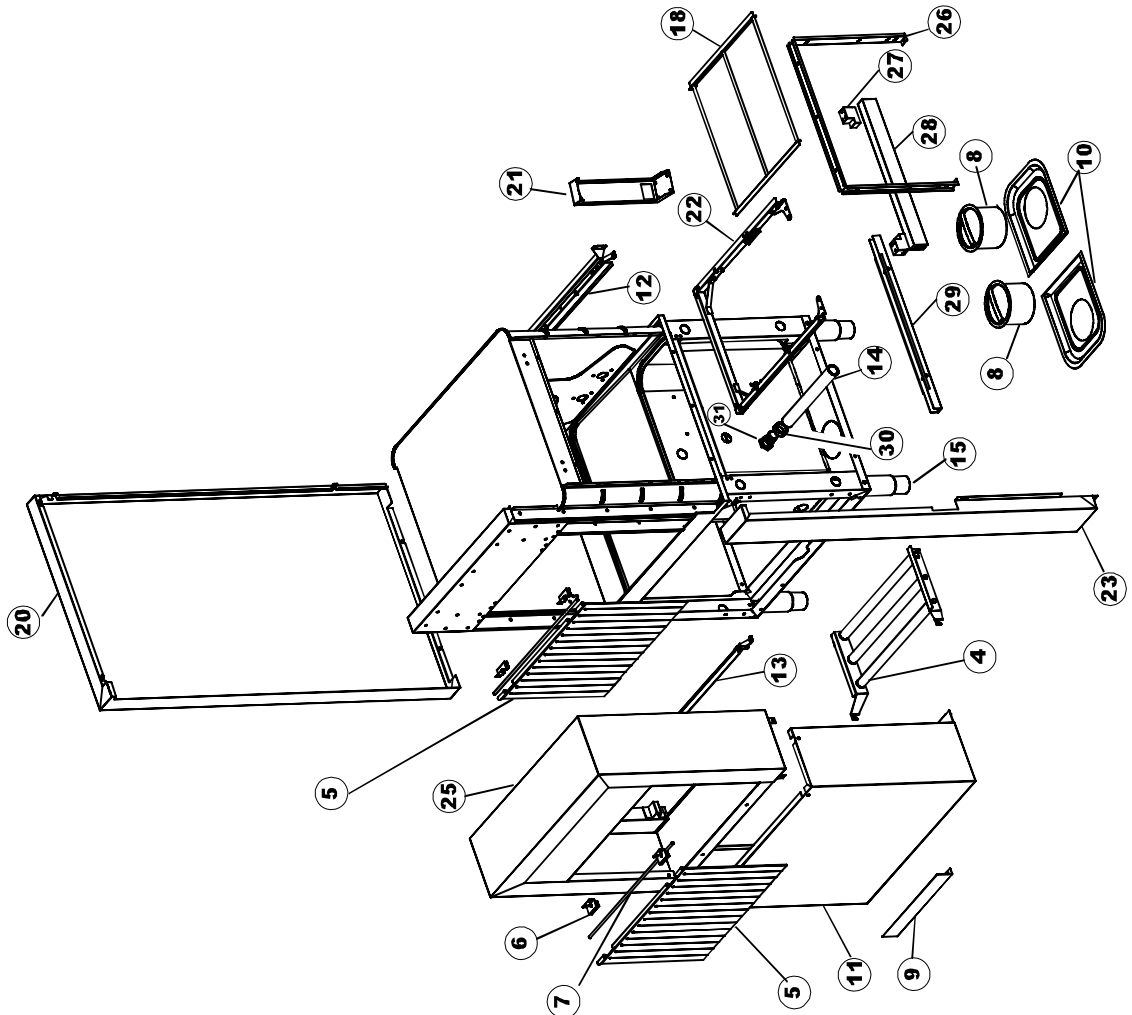
16	75047	GUIDA SCORRIMENTO SPORTELO GUIDE PORTE CAPOT GUIDE SCHIEBETÜR SLIDES HOOD DOOR GUJA PUERTA	
17	77543	PANNELLO ANTERIORE PANNEAU AVANT VORDERPANEEL FRONT PANEL PANEL FRONTAL	
18	926049	PRESSOSTATO TIPO 180-70 PRESSOSTAT DRUCKWAECHTER PRESSURE SWITCH PRESOSTATO	
19	143005	TUBO IN GOMMA TELATA 5X12 NERO TUYAU EN CAOUTCHOUC LIN 5X12 NOIR SCHLAUCH AUS LINENGUMMI 5X12 - SCHWARZ LINEN RUBBER PIPE 5X12 - BLACK TUBO PRES. TP 5x11 (CASER/15/NL C4N)	
20	984005	GRUPPO TRAPPOLA D'ARIA PRISE D'AIR - COMPLETE WINDKESSEL - KOMPLETT AIR TRAP, ASSY GRUPO CAMPANA PRESOSTATO 35/40	
21	75064	GANCIO SPORTELO TRAINO CROCHET DE SURETE PORTE SICHERHEITSHAKEN FUER TUER DOOR SAFETY HOOK FOR RACK-CONVEYOR GANCHO DE SEGURIDAD PARA PUERTA	
22	77531	GUIDA CESTELLO PRELAVAGGIO PG FINITA GUIDE PANIER KORBBAHN RACK SLIDE GUIA CESTA	
23	926117	PIEDE VERRIN FUESS FOOT PATA REGULABLE X CAPOTA 3LINEA	
24	77567	MONTANTE ANTERIORE montant de support Unterstützung aufrecht supporting upright montante de soporte	
25	80159	CESTELLO FILTRO VASCA PETIT CASIER POUR FILTRE TANK SIEN KORBEN TANK STRAINER BASKET CESTA FILTRO CUBETA	
26	77540	FILTRO VASCA (CON FORO PER CESTELLO) FILTRE FILTER STAINER FILTRO	
27	77527	COLLEGAMENTO INFERIORE PRELAVAGGIO	
28	80159	CESTELLO FILTRO VASCA PETIT CASIER POUR FILTRE TANK SIEN KORBEN TANK STRAINER BASKET CESTA FILTRO CUBETA	
29	77546	FILTRO ASPIRAZIONE POMPA PRELAVAGGIO FILTRE ASPIRATION POMPE PUMPENANSAUGSIEB PUMP ASPIRATION FILTER FILTRO ASPIRACION BOMBA	
30	77545	TROPPOPIENO PRELAVAGGIO TROP PLEIN UEBERLAUFROHR OVERFLOW PIPE REBOSE	

31	77524	DADO ECROU MUTTER NUT TUERCA	
32	77544	TUBO COLLEGAMENTO VASCHE L=810 MM TUYAU SCHALUCH PIPE MANGUITO	
33	211002	CONTATTO MAGNETICO CONTACTE MAGNETIQUE TUERKONAKTSCHALTER MAGNETIC DOOR SWITCH CONT. MAGNETICO+CABLE 302N. Ocm25	
34	77525	PILETTA RACCORDO VASCHE PRELAVAGGIO TUYAU DE DRAINAGE ablassen DRAIN CONNECTION PILETA DESCARGA	
35	75105	STAFFA SUPPORTO BRACCIO LAV INF. console de support Stützwinkel support bracket ménsula de soporte	
36	77530	CARRELLO TRAINO PRELAVAGGIO COMPLETO TRACTION PANIER WAGEN korbdurchlauf TOWING RACK cestas remolque	
37	77528	PARETE DIVISORIA PG.FINITO	
38	77529	STAFFA EQUERRE DE FIXATION STÜTZWINKEL BRACKET MÉNSULA DE SOPORTE	

RIGHT



LEFT

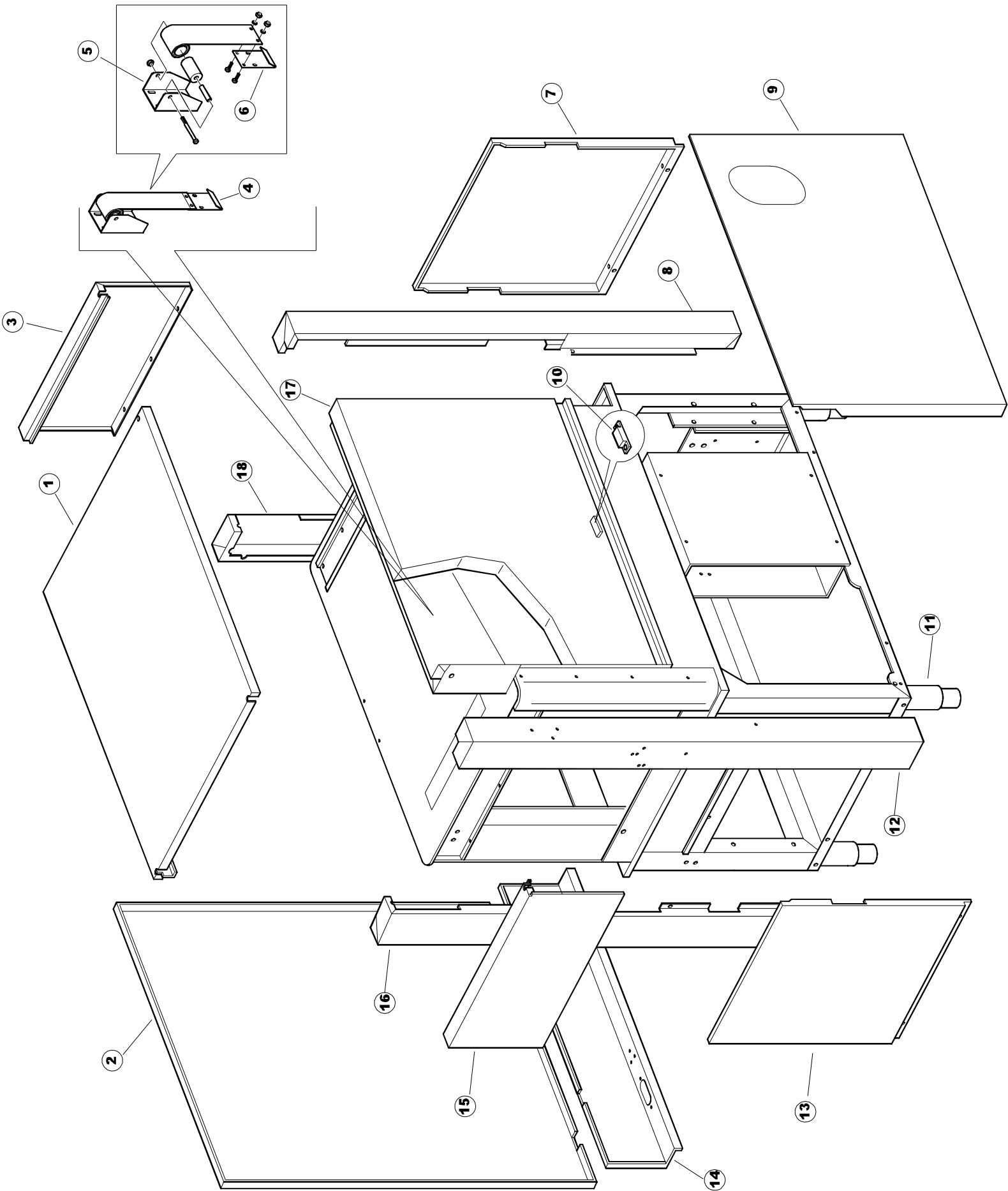


Listino componenti per pagina 2

1	77701	TELAIO PRELAVAGGIO AD ANGOLO CHASSIS PRELAVAGE Vorwäsche Rahmenecke PRE-WASH CORNER FRAME PRELAVADO MARCO DE ESQUINA	
2	77793	MONTANTE ANTERIORE montant de support Unterstützung aufrecht supporting upright montante de soporte	
3	77761	CAPPETTA PER PRELAVAGGIO ANGOLO CAPOT D'ENTRÉE POUR PRELAVAGE EN ANGLE HAUBE EINTRAG FÜR ECK-VORWASCHZONE HOOD ENTRY FOR CORNER PREWASH CAPUCHA DE ENTRADA PARA PRELAVADO EN ÁNGULO	
4	77794	CARRELLO RULLI COMPLETO TRACTION PANIER WAGEN korbdurchlauf TOWING RACK cestas remolque	
5	77120	TENDINE ENTRATA/USCITA TRAINO rideau Vorhang CURTAIN CORTINAS ENTRADA/SALIDA ACCION.	
6	75380	STAFFA SUPPORTO TENDINA ASCIUGATURA 600 MM EQUERRE DE FIXATION STÜTZWINKEL BRACKET MENSULA DE SOPORTE	
7	77121	SOSTEGNO TENDINA PER LAVASTOVIGLIE A SUPPORT RIDEAU POUR LAVE-VAISSELLE A LAGER FUER VORHANG FUER KORBDURCHLAUF- CURTAIN SUPPORT FOR RACK-CONVEYOR DISH- VARA SOSTEN CORTINA ACCION.	
8	80159	CESTELLO FILTRO VASCA PETIT CASIER POUR FILTRE TANK SIEN KORBEN TANK STRAINER BASKET CESTA FILTRO CUBETA	
9	77136	STAFFA EQUERRE DE FIXATION STÜTZWINKEL BRACKET MENSULA DE SOPORTE	
10	77540	FILTRO VASCA (CON FORO PER CESTELLO) FILTRE FILTER STAINER FILTRO	
11	77774	PANNELLO ANTERIORE PANNEAU AVANT VORDERPANEEL FRONT PANEL PANEL FRONTAL	
12	77782	GUIDA CESTELLO DX PIEGATA FINITA GUIDE PANIER KORBBAHN RACK SLIDE GUIA CESTA	
13	77783	GUIDA CESTELLO SX PIEGATA FINITA GUIDE PANIER KORBBAHN RACK SLIDE GUIA CESTA	
14	77526	TUBO COLLEGAMENTO VASCHE SCHLAUCH HOSE TUBE TUBO CONEX. CUBETAS L=320MM	
15	926117	PIEDE VERRIN FUESS FOOT PATA REGULABLE X CAPOTA 3LINEA	

16	75378	BLOCCHETTO SOSTEGNO GUIDE RAIL SUPPORT BLOCK BLOQUE SOSTEN GUIAS	
17	77528	PARETE DIVISORIA PG.FINITO	
18	77764	TELAIO APPOGGIO CESTI (SALDATO) FRAME FOR BASKETS	
19	77795	CARRELLO TRAINO SX COMPLETO TRACTION PANIER WAGEN korbdurchlauf TOWING RACK cestas remolque	
20	77790	PANNELLO LATERALE SX COMPLETO	
21	77710	STAFFA CONSOLE DE SUPPORT STÜTZWINKEL BRACKET MÈNSULA DE SOPORTE	
22	77796	CARRELLO TRAINO TRACTION PANIER WAGEN korbdurchlauf TOWING RACK cestas remolque	
23	77779	MONTANTE ANTERIORE montant de support Unterstützung aufrecht supporting upright montante de soporte	
24	77792	MONTANTE ANTERIORE montant de support Unterstützung aufrecht supporting upright montante de soporte	
25	77761	CAPPETTA PER PRELAVAGGIO ANGOLO CAPOT D'ENTRÉE POUR PRELAVAGE EN ANGLE HAUBE EINTRAG FÜR ECK-VORWASCHZONE HOOD ENTRY FOR CORNER PREWASH CAPUCHA DE ENTRADA PARA PRELAVADO EN ÀNGULO	
26	77790	PANNELLO LATERALE SX COMPLETO	
27	75378	BLOCCHETTO SOSTEGNO GUIDE RAIL SUPPORT BLOCK BLOQUE SOSTEN GUIAS	
28	77528	PARETE DIVISORIA PG.FINITO	
29	77527	COLLEGAMENTO INFERIORE PRELAVAGGIO	
30	77524	DADO ECROU MUTTER NUT TUERCA	

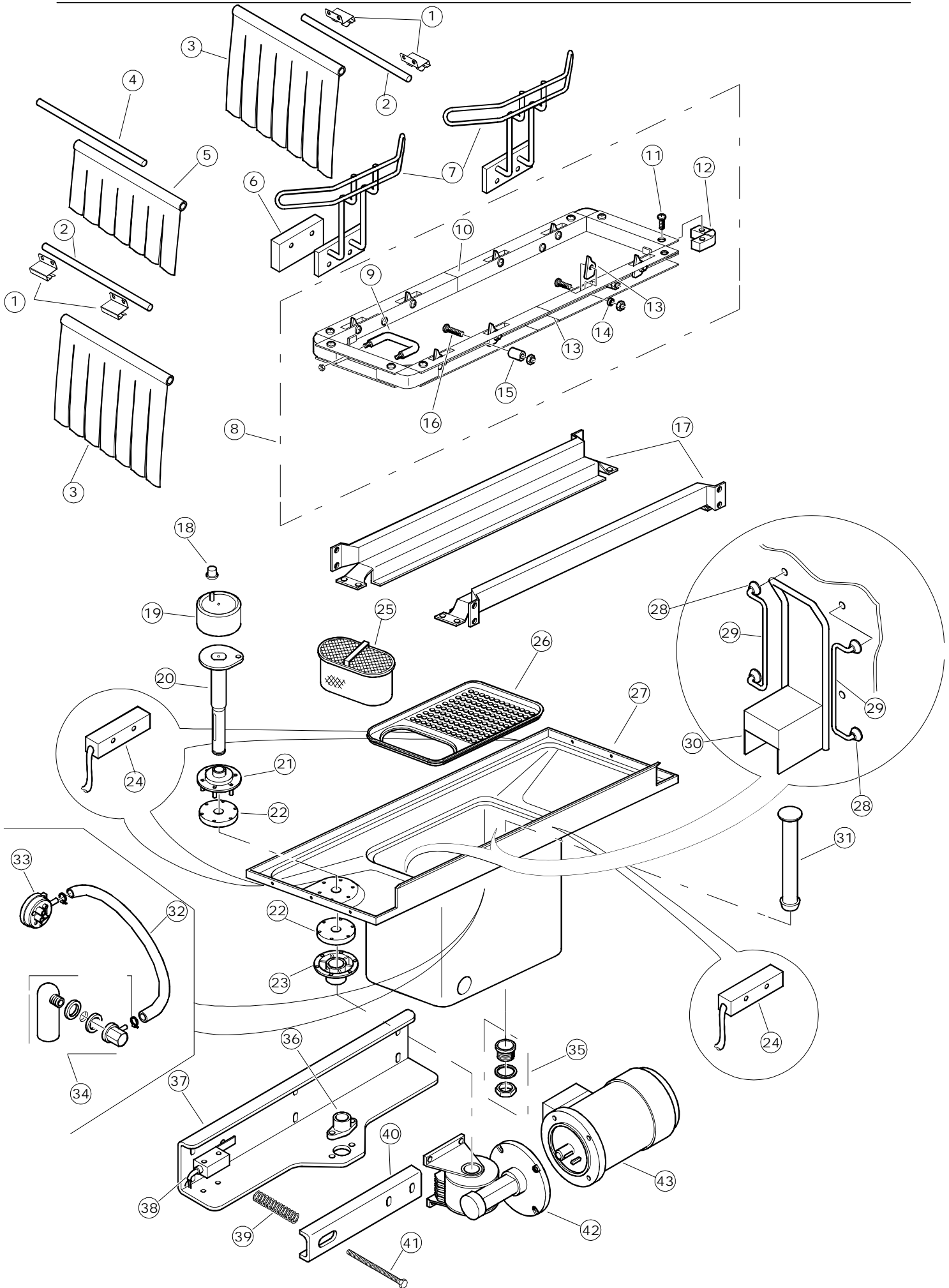
31	77525	PILETTA RACCORDO VASCHE PRELAVAGGIO TUYAU DE DRAINAGE ablassen DRAIN CONNECTION PILETA DESCARGA	
----	-------	---	--



Listino componenti per pagina 3

1	75050	PANNELLO SUP EST. TRAINO PG FINITO HAUT PANNEAU OBER PANEEL TOP PANEL PANEL SUP EXT. ACCION. PG ACAB.	
2	75244	PANNELLO POSTER. SUP. TRAINO PG FINITO PANNEAU ARRIERE RUECKWAND BACK PANEL PANEL TRASERO SUP. ACCION. PG ACABADO	
3	75035	PANNELLO ANTERIORE PANNEAU AVANT VORDERPANEEL FRONT PANEL PANEL FRONTAL	
4	75271	KIT MOLLE SPORTELLO TRAINO RESSORT KIT FEDER KIT DOOR SPRING KIT KIT MUELLES PUERTA GOLD80/RIVER150	
5	75225	SCATOLA SUPPORTO MOLLE SPORT. PG FINITO CAJA SOPORTE MUELLE PUERTA PG ACAB.	
6	75226	GANCIO MOLLA SPORTELLO TRAINO PG FINITO CROCHET DE SURETE PORTE SICHERHEITSHAKEN FUER TUER DOOR SAFETY HOOK FOR RACK-CONVEYOR GANCHO DE SEGURIDAD PARA PUERTA	
7	75053	PANNELLO LAT TRAINO PG FINITO PANNEAU LATERAL SEITENWAND SIDE PANEL PANEL LAT TRAINO PG ACAB.	
8	75284	PANNELLO COMANDI TABLEAU DE BORD FRONTBLLENDE CONTROL PANEL PANEL DE MANDOS	
9	75287EB	PANNELLO ANTERIORE PANNEAU AVANT VORDERPANEEL FRONT PANEL PANEL FRONTAL	
10	926014	MAGNETE 8x16x40 + CUST.xDEM201 MAGNETO 8X16X40 ET ETUI POUR DEM201 MAGNET 8X16X40 UND ETUI FUER DEM 201 MAGNET 8X16X40 AND HOUSING FOR DEM 201 IMAN 8x16x40 + CUST. xDEM201	
11	926117	PIEDE VERRIN FUESS FOOT PATA REGULABLE X CAPOTA 3LINEA	
12	75038	PANNELLO ANGOLARE POSTERIORE SINISTRO ANGLE ARRIERE GAUCHE PANNEAU ANGLE HINTEN RECHTS PANEL CORNER REAR LEFT PANEL PANEL DE ANGULO TRASERO IZQUIERDO	
13	75053	PANNELLO LAT TRAINO PG FINITO PANNEAU LATERAL SEITENWAND SIDE PANEL PANEL LAT TRAINO PG ACAB.	
14	75043	PANNELLO POST.TRAINO PG.FINITO	
15	75035	PANNELLO ANTERIORE PANNEAU AVANT VORDERPANEEL FRONT PANEL PANEL FRONTAL	

16	75041	PANNELLO ANGOLARE POSTERIORE SINISTRO ANGLE ARRIÈRE GAUCHE PANNEAU ANGLE HINTEN RECHTS PANEL CORNER REAR LEFT PANEL PANEL DE ANGULO TRASERO IZQUIERDO	
17	75082	PORTA TRAINO CONVOYEUR PORTE ABSCHLEPPEN TÜR RACK CONVEYOR DOOR PUERTA REMOLQUE	
18	75040	PANNELLO ANGOLARE ANTERIORE DESTRO PANNEAU DROIT D'ANGLE ANGLE VORDERSEITE RECHTS PANEL CORNER FRONT RIGHT PANEL PANEL DE ANGULO FRENTE DERECHO	

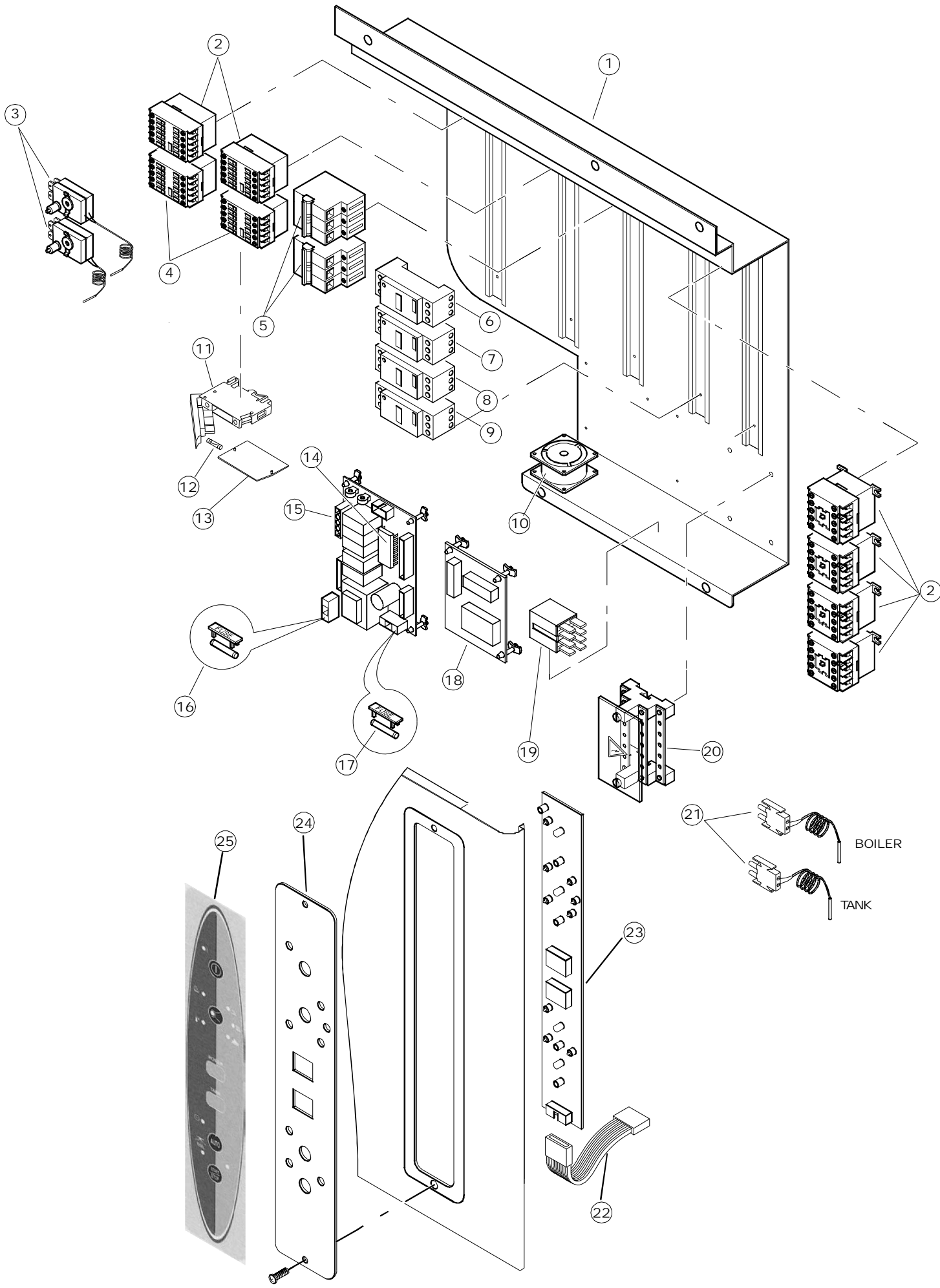


Listino componenti per pagina 4

1	75581	SQ. SUPPORTO TENDINA PG FINITA ÉQUERRE SUPPORT RIDEAU PG - ACHEVÉE BEFESTIGUNGSWINKEL FUER VORHANG - FERTIGTEIL CURTAIN SUPPORTING BRACKET - FINISHED PART ESC. SOPORTE CORTINA PG ACABADA	
2	75121	SOSTEGNO TENDINA PER LAVASTOVIGLIE A SUPPORT RIDEAU POUR LAVE-VAISSELLE A LAGER FUER VORHANG FUER KORBDURCHLAUF- CURTAIN SUPPORT FOR RACK-CONVEYOR DISH- VARA SOSTEN CORTINA ACCION.	
3	75120	TENDINE ENTRATA/USCITA TRAINO rideau Vorhang CURTAIN CORTINAS ENTRADA/SALIDA ACCION.	
4	75124	SOSTEGNO TENDINA PER LAVASTOVIGLIE A SUPPORT RIDEAU POUR LAVE-VAISSELLE A LAGER FUER VORHANG FUER KORBDURCHLAUF- CURTAIN SUPPORT FOR RACK-CONVEYOR DISH- VARA SOSTEN CORTINA INERMED. ACCION.	
5	75123	TENDINA INTERMEDIA TRAINO rideau Vorhang CURTAIN CORTINA INTERMEDIA ACCION.	
6	927088	MAGNETE PER MICROINTERRUPTORE CAPP MAGNETO POUR MICRO HOTTE MAGNET FUER HAUBE-MIKROSCHALTER MAGNET FOR HOOD MICROSWITCH IMAN PARA MICROINTERRUPTOR	
7	75095	LEVA ECONOMIZZ./AUTOTIMER TRAINO PALANCA ECONOMIZADOR/AUTOTIMER ACCION.	
8	75069	CARRELLO TRAINO TRACTION PANIER WAGEN korbdurchlauf TOWING RACK cestas remolque	
9	75073	MANIGLIA COLLEGAMENTO TRAINO MANIJA CONEXION ACCION.	
10	75070	TELAIO CARRELLO TRAINO TRACTION PANIER WAGEN KORBDURCHLAUF TOWING RACK CESTAS REMOLQUE	
11	486169	VITE INOX 4MAX10 TBCR-SP VIS EN ACIER INOXYDABLE 4MAX10 TBCR-SP SCHRAUBE AUS NICHTROSTENDEM STAHL 4MAX10 STAINLESS STEEL SCREW 4MAX10 TBCR-SP TORNILLO NOX 4MAX10/4 TBCR-SP	
12	75075	PATTINO CARRELLO TRAINO PATIN POUR TRACTION Schlitten Warenkorb Abschleppen sled cart towing trineo carrito remolque	
13	75071	SALTARELLO TRAINO TRINQUETE ACCION.	
14	75077	BOCCOLA DOUILLE BUSCH BUSH CASQUILLO	
15	75076	TAMPONE FERMO TRAINO TAMPON ARRETR CONVOYEUR PUFFER, HALTEVORRICHTUNG - KORBTRANSPORT BUFFER FOR DRIVE STOP TAMPON TOPE ACCION.	

16	486078	VITE IN ACCIAIO INOSSIDABILE SPEC. 6MA VIS EN ACIER INOXYDABLE 6MAX30 T.1/2 TC SCHRAUBE AUS NICHTROSTENDEM STAHL 6MAX30 STAINLESS STEEL SCREW 6MAX30 T.1/2 TC TORNILLO TC-CE M6X40 INOX	
17	75024	GUIDA CESTELLO COMPLETA MACCHINA TRAINO GLISSIÈRE PANIER COMPLETE POUR KOMPLETTE FUEHRUNGSSCHIENE FUER COMPLETE RACK TRACK SLIDE GUIA CESTA ACCION. COMPLETA	
18	75058	ROTELLA TRAINO RONDELLE SCHEIBE WASHER arandela	
19	75231	PARASPRUZZI TRAINO ANTI-SALPICADURAS ACCION.	
20	75235	ALBERO MOTORE TRAINO VILEBREQVIN CONVOYEUR GETRIEBEWELLE FÖRDER GEAR SHAFT CONVEYOR EJE MOTOR trasportador	
21	75141	FLANGIA SUPERIORE TRAINO BRIDE HAUT CONVOYEUR OBERE Flansch UPPER FLANGE SHAFT CONVEYOR CASQUILLO ACCION. SUPERIOR	
22	75168	GUARNIZIONE FLANGIA ALBERO TRAINO JOINT DICHTUNG GASKET JUNTA	
23	75057	FLANGIA INFERIORE TRAINO BRIDE INFERIEUR CONVOYEUR UNTERE Flansch BOTTOM FLANGE SHAFT CONVEYOR CASQUILLO ACCION. INFERIOR	
24	211002	CONTATTO MAGNETICO CONTACTE MAGNETIQUE TUERKONTAKTSCHALTER MAGNETIC DOOR SWITCH CONT. MAGNETICO+CABLE 302N. Ocm25	
25	75146	FILTRO FILTRE FILTER STAINER FILTRO	
26	75200	FILTRO FILTRE FILTER STAINER FILTRO	
28	472061	RONDELLA X GUIDA CESTO CL.3 RONDELLE SCHEIBE WASHER arandela	
29	42092	GUIDA FILTRO ASPIRAZIONE U70 GUIDE FILTRE ASPIRATION ABSAUGSPUMPENSIEB FUER ASPIRATION FILTER SLIDE GUIA FILTRO ASPIRACION U70	
30	42089	FILTRO ASPIRAZIONE POMPA FILTRE ASPIRATION POMPE PUMPENANSAUGSIEB PUMP ASPIRATION FILTER FILTRO ASPIRACION BOMBA	
31	77533	TROPPOPIENO CHIUSO (PRELAVAGGIO) TROP PLEIN UEBERLAUFROHR OVERFLOW PIPE REBOSE	

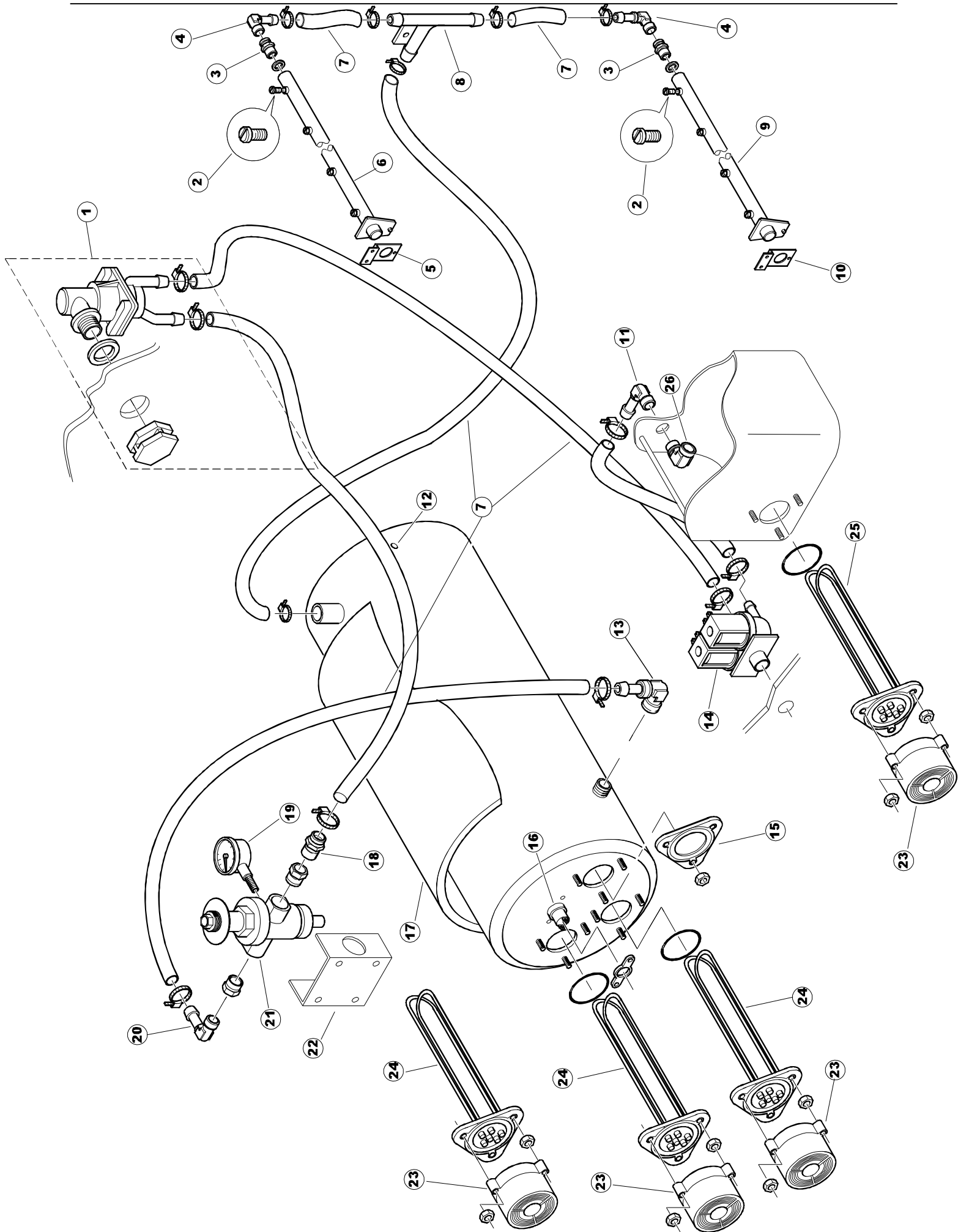
32	143005	TUBO IN GOMMA TELATA 5X12 NERO TUYAU EN CAOUTCHOUC LIN 5X12 NOIR SCHLAUCH AUS LINENGUMMI 5X12 - SCHWARZ LINEN RUBBER PIPE 5X12 - BLACK TUBO PRES. TP 5x11 (CASER/15/NL C4N)	
33	926049	PRESSOSTATO TIPO 180-70 PRESSOSTAT DRUCKWAECHTER PRESSURE SWITCH PRESOSTATO	
34	984005	GRUPPO TRAPPOLA D'ARIA PRISE D'AIR - COMPLETE WINDKESSEL - KOMPLETT AIR TRAP, ASSY GRUPO CAMPANA PRESOSTATO 35/40	
35	42185	PILETTA COMPL.INOX 1"1/2 (01713007) TUYAU DE DRAINAGE COMPLET EN ACIER INOX ABFLUSSROHR, KOMPLETT AUS NICHT ROSTENDE DRAIN PIPE, ASSY -STIANLESS STEEL- 1"1 PILETA COMPL. INOX 1"1/2 (01713007)	
36	75142	FLANGIA INFERIORE TRAINO BRIDE INFERIEUR CONVOYEUR UNTERE Flansch BOTTOM FLANGE SHAFT CONVEYOR CASQUILLO INFERIOR ACCION.	
37	75217	STAFFA EQUERRE DE FIXATION STÜTZWINKEL BRACKET MÉNSULA DE SOPORTE	
38	927246	MICROINTERRUPTORE MICROINTERRUPTEUR MIKROSCHALTER MICROSWITCH MICROINTERRUPTOR MS30+CAPERUZA VFC03	
39	CMT13	MOLLA A COMPRESSIONE RESSORT FEDER SPRING MUELLE	
40	75218	STAFFA AZIONAMENTO MICRO TRAINO console de support Stützwinkel support bracket SOPORTE ACTIV. MICRO ACCION. PG ACAB.	
41	60354	VITE REGISTRO FRIZIONE ALFA VIS SCHRAUBE SCREW tornillo	
42	927102	RIDUTTORE MVF-49A 1/60 REDUCTEURMVF-49A 1/60 DREHZAHLMINDERER MVF-49A 1/60 GEARMOTOR MVF-49A 1/60 REDUCTOR MVF-49A 1/60	
43	927104	MOTORE 180W MEC71 B5 - 8 POLI V230/400 MOTEUR DE REMORQUAGE Antriebsmotor towing motor REMOLQUE MOTOR	



Listino componenti per pagina 5

1	75182	PANNELLO PER COMPONENTI ELETTRICI PANNEAU DE COMPOSANTS ÉLECTRIQUES PANEL FÜR ELEKTRISCHE BAUTEILE PANEL FOR ELECTRICAL COMPONENTS PANEL DE COMPONENTES ELÉCTRICOS	
2	80350	CONTATTORE CONTACTEUR KONTAKTGEBER CONTACTOR CONTACTOR	
3	927057	TERMOSTATO SICUREZZA THERMOSTAT THERMOSTAT THERMOSTAT TERMOSTATO 3 CONTACTOS 90/110°C TIPO LS1	
4	80351	CONTATTORE CONTACTEUR KONTAKTGEBER CONTACTOR CONTACTOR	
5	927038	PORTAFUSIBILE TRIPOLARE GK1-DF PORTE-FUSIBLE TROIS-POLES GK1-DF SCHMELZSICHERUNGSTRAEGER - DREIPOLIG FUSE-HOLDER - TRIPOLAR GK1-DF PORTA-FUSIBLE TRIPOLAR GK1-DF	
6	DEI35	INTERRUTTORE AUTOMATICO interrupteur automatique Automatikschalter automatic switch interruptor automático	
7	DEI37	INTERRUTTORE AUTOMATICO interrupteur automatique Automatikschalter automatic switch interruptor automático	
8	DEI40	INTERRUTTORE AUTOMATICO interrupteur automatique Automatikschalter automatic switch interruptor automático	
10	77044	VENTILATORE QUADRO COMANDI VENTILATEUR FAN	
11	H.228048	TAPPO PORTAFUSIBILE BOUCHON DECKEL PLUG TAPON	
12	228004	FUSIBILE FUSIBLE Sicherung FUSE FISIBLE	
13	H.228047	PORTAFUSIBILE PORTE-FUSIBLE SCHMELZSICHERUNGSTRAEGER FUSE-HOLDER PORTA-FUSIBLE	
14	81008	MICROPROCESSORE MICROPROCESSEUR MIKROPROZESSOR MICROPROCESSOR MICROPROCESADOR	
15	215023	SCHEDA GET-5/NIAGARA-RIVER CARTE ELECTRONIQUE KARTE ELEKTRONIK MAIN BOARD TARJETA electrónica	
16	926283	FUSIBILE FUSIBLE Sicherung FUSE FISIBLE	

17	926284	FUSIBILE FUSIBLE Sicherung FUSE FISIBLE	
18	215022	SCHEDA ESP1 1RELE' X GET5 CARTE ELECTRONIQUE KARTE ELEKTRONIK MAIN BOARD TARJETA electrónica	
19	929115	RELE 16A-230V RELAIS 16A 230V RELAIS 16A 230V RELAY 16A 230V RELE 16A 230V	
20	75983	MORSETTIERA DI POTENZA DA 4POLI 125A bornier pour le raccordement anschlussterminal TERMINAL BLOCK bloque de terminales	
21	231014	SONDA TEMPERATURA GET-5 SONDE KUGEL TEMP. PROBE SONDA TEMPERATURA CHORROS-5	
22	926272	CAVO FLAT CAPOT RIVER TRISSE LIAISON TAB. CARTE CAPOT RIVER KABEL FLAT CAPOT RIVER CABLE FLAT CAPOT RIVER CABLE FLAT CAPOT RIVER	
23	41600	TASTIERA COMANDI touche clavier commande Tastaturbefehle CONTROL KEYBOARD TECLADO DE COMANDOS	
24	41380	PANNELLO COMANDI PANNEAU COMMANDES BEDIENUNGSTABLEAU CONTROL PANEL PANEL DE CONTROL	
25	75906	INTERFACCIA ADESIVA DI CONTROLLO INTERFACE ADHÉSIVE CONTRÔLE TASTATURFOLIEN CONTROL ADHESIVE INTERFACE INTERFAZ ADHESIVA DE CONTROL	



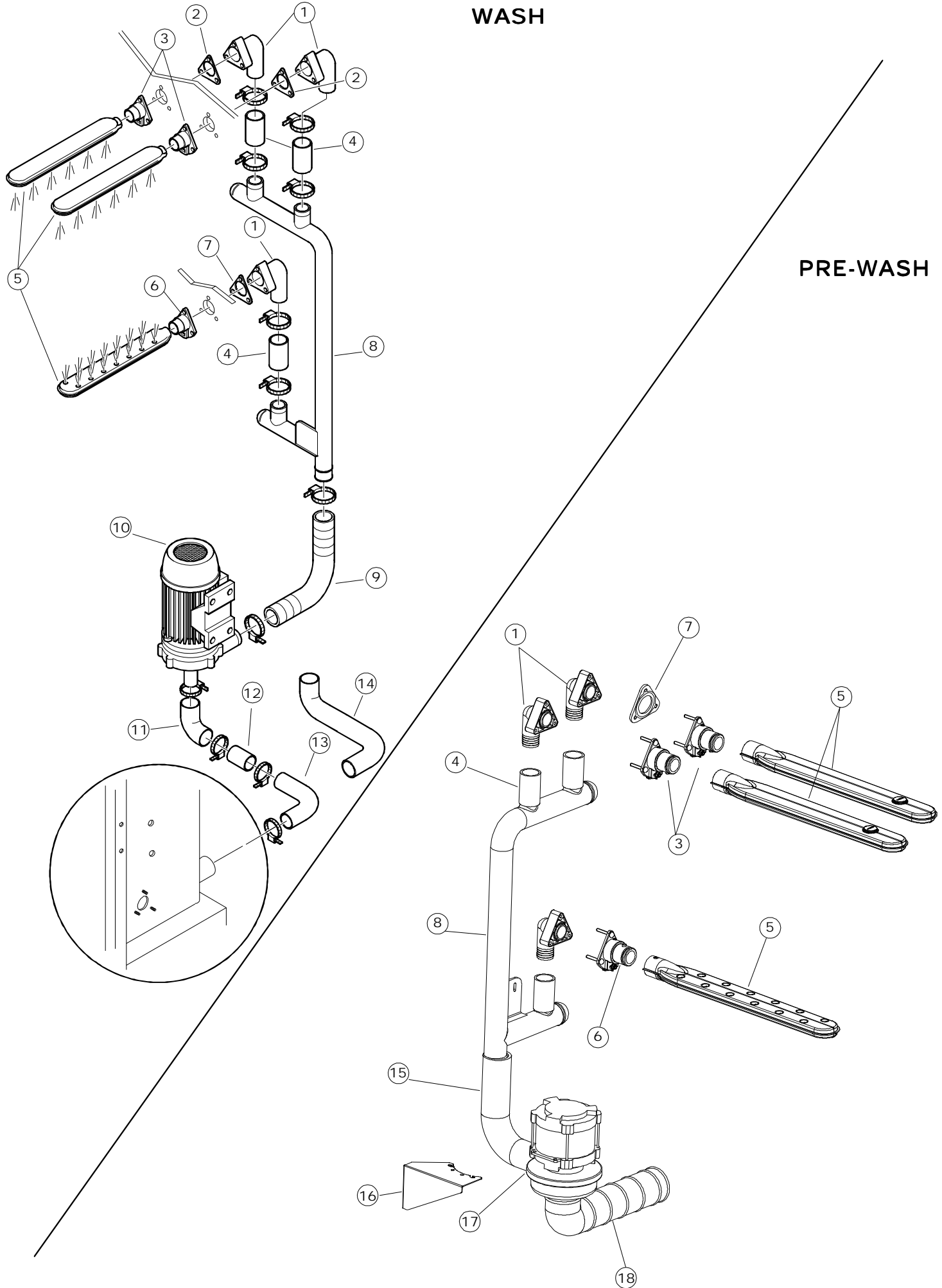
Listino componenti per pagina 6

1	144010	DISPOSITIVO DI NON RITORNO Clapet Anti-Retour Rückschlagventil NON RETURN VALVE válvula de retención	
2	75133	SPRUZZATORE RISCIAQUO INOX GICLEUR DE RINÇAGE INOX EDELSTAHL NACHSPUELDUESE STAINLESS STEEL RINSE SPRAY NOZZLE ROCIADOR ENJUAGUE INOX	
3	75401	RACCORDO BRACCIO RISCIAQUO TRAINO RACCORD ANSCHLUSSTEIL PIPE FITTING EMPALME BRAZO ENJUAGUE ACCION.	
4	77904	PORTAGOMMA CURVO 3/8F tuyau de plomberie schlauch armaturen HOSE CONNECTOR mangueras y conexiones	
5	75131	STAFFA SUP. FISSAGGIO BRACCIO RISCIAQUO console de support Stützwinkel support bracket ménsula de soporte	
6	75115	BRACCIO RISCIAQUO BRAS DE RINCAGE SPULEN ARM RINSE ARM BRAZO ENJUAGUE	
7	143010	TUBO IN GOMMA 12X19,5 (FOOD QUALITY) TUYAU EN CAOUTCHOUC 12X19,5 GUMMISCHALUCH 12X19,5 RUBBER PIPE 12X19,5 TUBO PRES. TP 12X19. 5	
8	H.882974-001	COLLETTORE COLLECTEUR SAMMELLEITUNG MAINFOLD COLECTOR	
9	75125	BRACCIO RISCIAQUO INFERIORE BRAS DE RINCAGE INFERIEUR NACHSPUELUNGSARM NIEDRIGER LOWER RINSE ARM BRAZO ENJUAGUE INFERIOR	
10	75129	STAFFA INF. FISSAGGIO BRACCIO RISCIAQUO console de support Stützwinkel support bracket ESC. INF. FIJACION BRAZO ENJUAGUE	
11	929163	RACCORDO OTTONE PORTA GOMMA 3/8 M RACCORD EN LAITON PORTE-GOMME CURVE 3/8 VERBINDUNGSSTUECK AUS MESSING GUMMI-SCHL BRASS RUBBER-PIPE HOLDER CONNECTION 3/8 EMPALME LATON 3/8M CURVO METANO	
12	75275	BOILER CHAUDIÈRE WARMWASSERBEREITER BOILER CALENTADOR	
13	108006	RACCORDO A GOMITO BOILER COUDE PORTE-TUYAU POUR LAVE-VAISSELLE GUMMISCHLAUCHTRAEGER PIPE-HOLDER ELBOW FOR FRONT-LOADING CODO ENTRADA/SALIDA CALENTADOR	
14	929172	ELETTROVALVOLA DOPPIA ELECTROVANNE Magnetspule SOLENOID VALVE ELECTROVALVULA	
15	926053	TAPPO PER FLANGIA CHIUSA (170880543) EMBOUT POUR BRIDE FERMEE'(170880543) VERSCHLUSS FUER GESCHLOSSENE FLANSCH CLOSED FLANGE CAP (170880543) TAPON/BRIDA CIEGA 170880543	

16	75985	TERMOSTATO 100°C THERMOSTAT THERMOSTAT THERMOSTAT TERM-CONTACTO CALENTADOR (100°C) +/-5°C	
17	75245	COIBENTAZIONE BOILER CHAUDIÈRE ISOLATION WARMWASSERBEREITER ISOLIERUNG INSULATION BOILER AISLAMIENTO CALENTADOR	
18	927015	RACCORDO IN OTTONE 3/8 PORTAGOMMA D12 RACCORD EN LAITON 3/8 PORTE-TUYAU EN ANSCHLUSSSTUECK AUS MESSING 3/8 - BRASS CONNECTION 3/8- RUBBER PIPE HOLDER EMPALME LATON 3/8 EMPALME D12	
19	75998	MANOMETRO PER RIDUTTORE(0-2,5BAR) MANOMETRE MANOMETER MANOMETER MANOMETRO PARA REDUCTOR(0-2,5 BAR)	
20	929163	RACCORDO OTTONE PORTA GOMMA 3/8 M RACCORD EN LAITON PORTE-GOMME CURVE 3/8 VERBINDUNGSSTUECK AUS MESSING GUMMI-SCHL BRASS RUBBER-PIPE HOLDER CONNECTION 3/8 EMPALME LATON 3/8M CURVO METANO	
21	927150	RIDUTTORE DI PRESSIONE 1/2" REDUCTEUR DE PRESSION 1/2" DRUCKREDUZIERER 1/2" PRESSURE REDUCER 1/2" REDUCTOR PRESSION 1/2"	
22	75283	STAFFA SOSTEGNO RIDUTTORE PRESSIONE console de support Stützwinkel support bracket ménsula de soporte	
23	467002	PROTEZIONE RESISTENZA BOILER PROTECTION RESISTANCE BOILER HEIZUNGSHUETZ DES WARMWASSERBEREITERS BOILER HEATING ELEMENT PROTECTION PROTECCION RESISTENCIA B. 651	
24	80398C	GRUPPO RESISTENZA 80398 (9.5KW) TROUSSE DE MONTAGE RESISTANCE 80398 BAUKIT FUER HEIZUNG 80398 (9,5 KW) READY-TO-ASSEMBLE KIT FOR HEATING RESISTENCIA B. 9500W 230V RIVER 82/83	
25	230020C	KIT RESISTENZA KIT RESISTANCES REB230020 (8KW) KIT DER HEIZUNGEN REB230020 (8KW) KIT HEATING ELEMENTS REB230020 (8KW) KIT RESISTENCIA REB230020 (8KW)	
26	927013	RACCORDO IN OTTONE 3/8X12 A GOMITO RACCORD A COUDE EN LAITON 3/8X12 SOUDE' BOGEN ANSCHLUSSSTUECK AUS MESSING 3/8X12 ELBOW BRASS CONNECTION 3/8X12 -WELDED EMPALME LAT. 3/8X12 SOLDADO CROMADO	

WASH

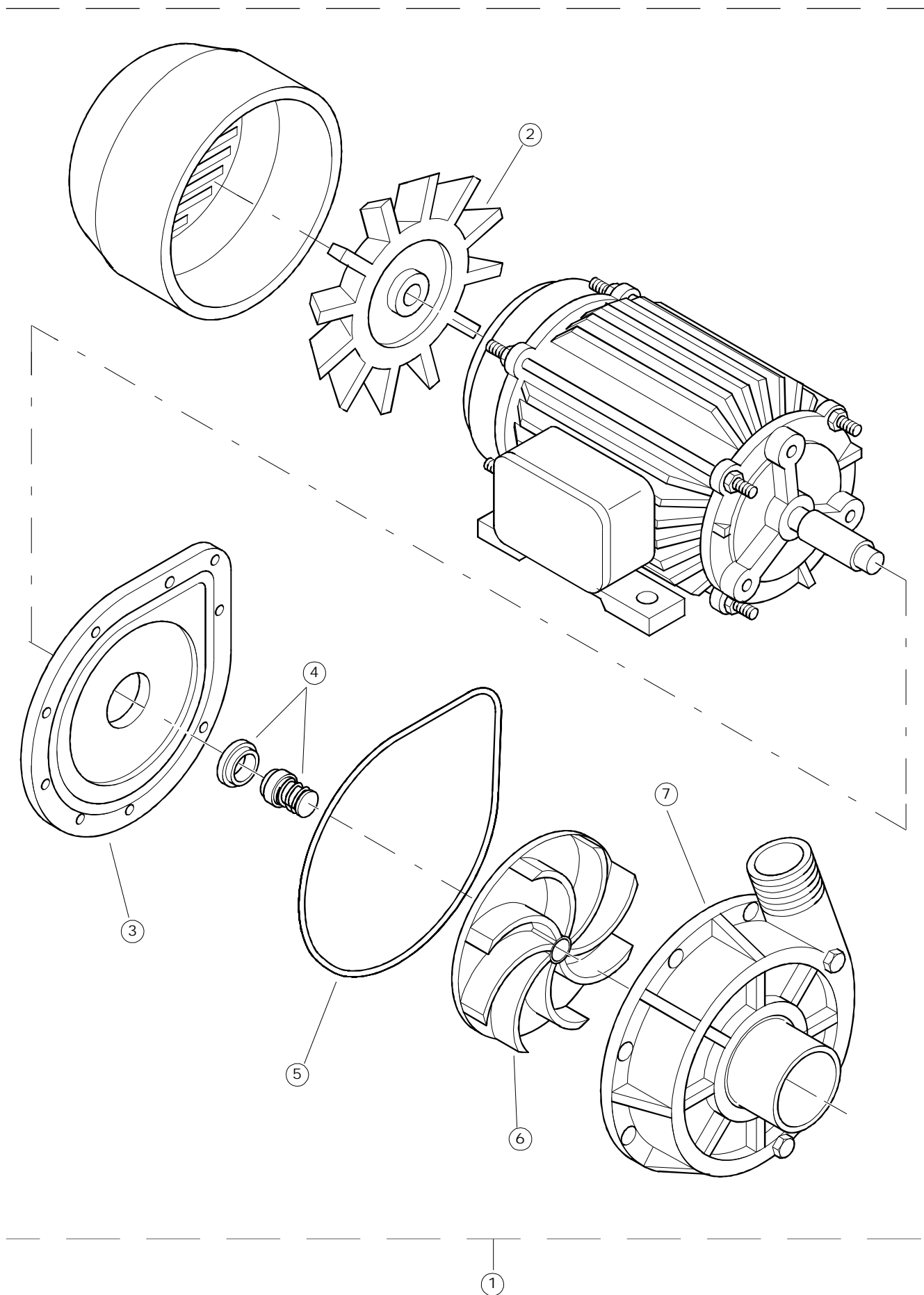
PRE-WASH



Listino componenti per pagina 7

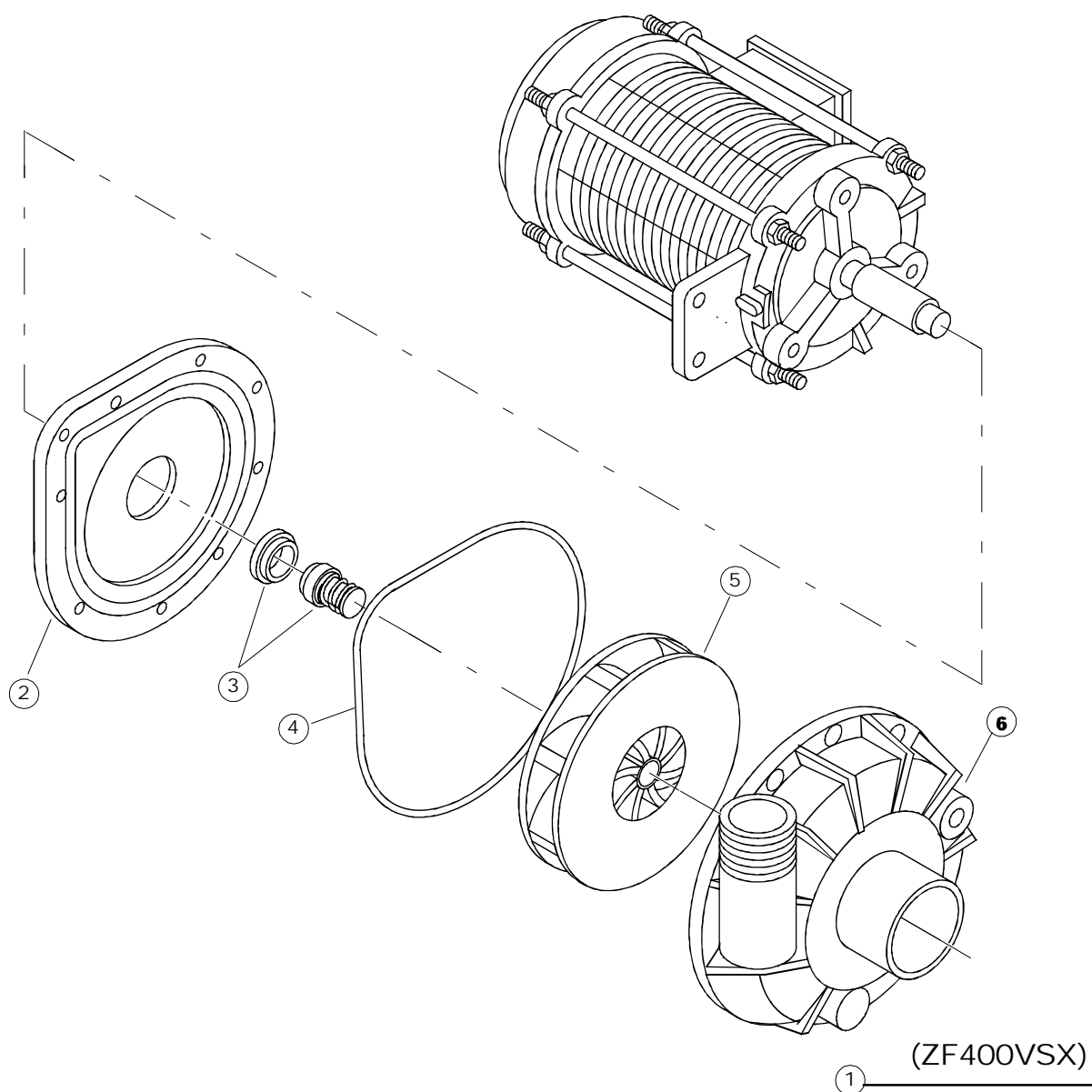
1	75155	RACCORDO LAVAGGIO ESTERNO TRAINO RACCORD ANSCHLUSSTEIL PIPE FITTING RECOGIDA	
2	437050	GUARNIZIONE GOMITO PORTAGOMMA PER JOINT DICHTUNG GASKET JUNTA	
3	75169	SUPPORTO LANCIA SUPERIORE COMPLETO support du bras de lavage haut Unterstützung der Wascharm OBERE UPPER SUPPORT WASH ARM apoyo brazo lavado SUPERIOR	
4	75154	MANICOTTO MANDATA LAVAGGIO TRAINO tuyau de refoulement à laver Druckschlauch Wasch DELIVERY WASH HOSE MANGUITO LAVADO	
5	75616	BRACCIO LAVAGGIO BRAS DE LAVAGE COMPLET WASCH ARM KOMPLETTEN COMPLETE WASH ARM BRAZO LAVADO COMPLETO	
6	75171	SUPPORTO LANCIA INFERIORE COMPLETO support du bras de lavage inferieur Unterstützung der Wascharm UNTERE LOWER support wash arm apoyo brazo lavado INFERIOR	
7	437050	GUARNIZIONE GOMITO PORTAGOMMA PER JOINT DICHTUNG GASKET JUNTA	
8	75165	MANDATA LAVAGGIO TRAINO DURITE ROHR SLEEVE TUBO IMPULSION LAVADO ACCION.	
9	80187	MANICOTTO MANDATA LAVAGGIO tuyau de refoulement à laver Druckschlauch Wasch DELIVERY WASH HOSE MANGUITO LAVADO	
10	75175	POMPA LAVAGGIO POMPE DE LAVAGE WASCHPUMPE WASHPUMP bomba de lavado	
11	926056	GOMITO D'ASPIRAZIONE IN GOMMA PER TUYAU a coudé Knierohr PIPE ELBOW tubo acodado	
12	929165	TRONCHETTO IN ACCIAIO INOSSIDABILE D60 MM.92 PIECE TUYAU EN ACIER INOXYDABLE D60 MM.9 2 SCHLAUCHSTUECK AUS NICHTROSTENDEM STAHL D60 MM 9; STAINLESS STEEL PIPE D60 MM.92 TRONCO INOX D60 MM. 92 (DIB. 60507)	
13	929164	GOMITO IN GOMMA P2703 SAIAG TUYAU a coudé Knierohr PIPE ELBOW tubo acodado	
14	75189	MANICOTTO MANDATA LAVAGGIO tuyau de refoulement à laver Druckschlauch Wasch DELIVERY WASH HOSE MANGUITO LAVADO	
15	77562	MANICOTTO MANDATA LAVAGGIO tuyau de refoulement à laver Druckschlauch Wasch DELIVERY WASH HOSE MANGUITO LAVADO	

16	77554	STAFFA POMPA PRELAVAGG. PG FINITO console de support Stützwinkel support bracket ménsula de soporte	
17	77553	POMPA LAVAGGIO POMPE DE LAVAGE WASCHPUMPE WASHPUMP bomba de lavado	
18	80186	MANICOTTO ASPIRAZIONE tuyau d'aspiration SAUGROHR suction pipe tubo de aspiración	



Listino componenti per pagina 8

1	75175	POMPA LAVAGGIO POMPE DE LAVAGE WASCHPUMPE WASHPUMP bomba de lavado	
2	335003	VENTOLA 1295/2277 VENTILATEUR POUR MOTOPOMPE LAUFRAD FUER MOTORPUMPE WASHPUMP FUN ROTOR PARA ELECTROBOMBA	
3	80880	FLANGIA PER ELETTRPOMPA 4225/2 BRIDE FLANSCH FLANGE BRIDA	
4	141002	TENUTA MECCANICA PER POMPA DI LAVAGGIO ETANCHEITE' DE LA POMPE DE LAVAGE POUR MECHANISCHE DICHTUNG FUER WASCHPUMPE DER WASH PUMP SHAFT SEAL FOR GLASSWASHER SELLO MECANICO GIRAT. D 12	
5	456023	guarnizione o-ring joint torique o-ring O-Ring-Dichtung O-ring junta tórica o-ring	
6	80881	GIRANTE ELETTRPOMPA IMPULSEUR MOTOPOMPE FLUEGELRAD FUER MOTORPUMPE ELECTROPUMP IMPELLER ROTOR PARA ELECTROBOMBA	
7	80882	CHIOCCIOLA ELETTRPOMPA couvercle de la turbine PUMPENGEHAEUSE ELECTROPUMP HOUSING ESPIRAL PARA ELECTROBOMBA	



Listino componenti per pagina 9

1	77553	POMPA LAVAGGIO POMPE DE LAVAGE WASCHPUMPE WASHPUMP bomba de lavado	
2	315011	FLANGIA PER POMPA DI LAVAGGIO PER BRIDE FLANSCH FLANGE BRIDA	
3	926255	TENUTA MECCANICA PER ELETTROPOMPA ZF40V ETANCHEITE' POUR MOTOPOMPE ZF40V MECHANISCHE DICHTUNG FUER MOTORPUMPE WASHPUMP SHAFT SEAL ZF40V (S6264) SELLO MECANICO PARA ELECTROBOMBA	
4	456031	guarnizione o-ring joint torique o-ring O-Ring-Dichtung O-ring junta tórica o-ring	
5	77520	GIRANTE ELETTROPOMPA IMPULSEUR MOTOPOMPE FLUEGELRAD FUER MOTORPUMPE ELECTROPUMP IMPELLER ROTOR PARA ELECTROBOMBA	
6	116013	CHIOCCIOLA ELETTROPOMPA couvercle de la turbine PUMPENGEHAEUSE ELECTROPUMP HOUSING ESPIRAL PARA ELECTROBOMBA	