

ELETTROBAR

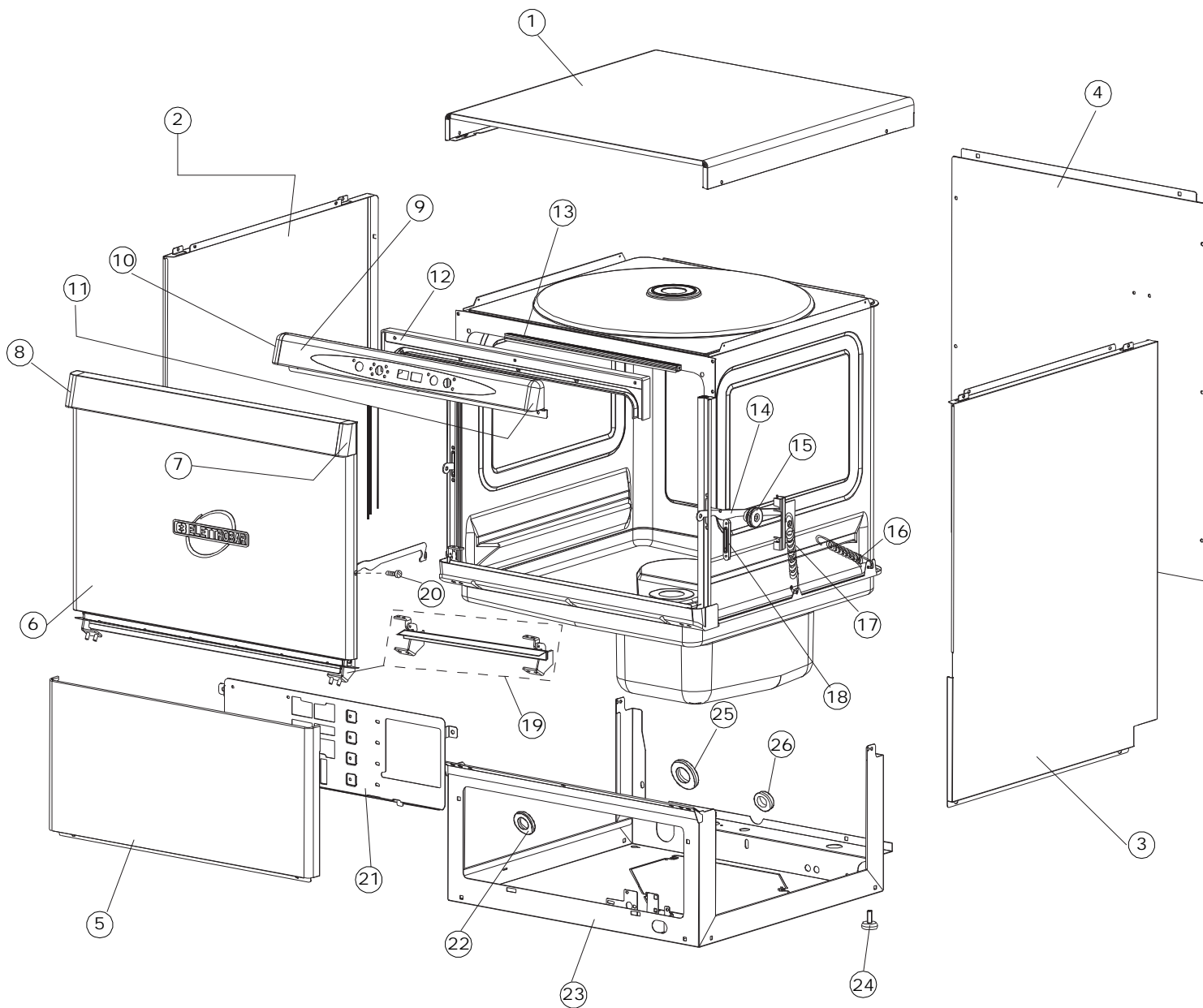
**SPARE PARTS CATALOGUE
ERSATZTEILKATALOG
CATALOGUE PIECES DETACHEES
CATALOGO PARTI RICAMBIO
CATALOGO DE PIEZAS DE RECAMBIO
CATALOGO PEÇAŞ DE REPOSICAO**

River 54

CRP s.p.

22-10-2007

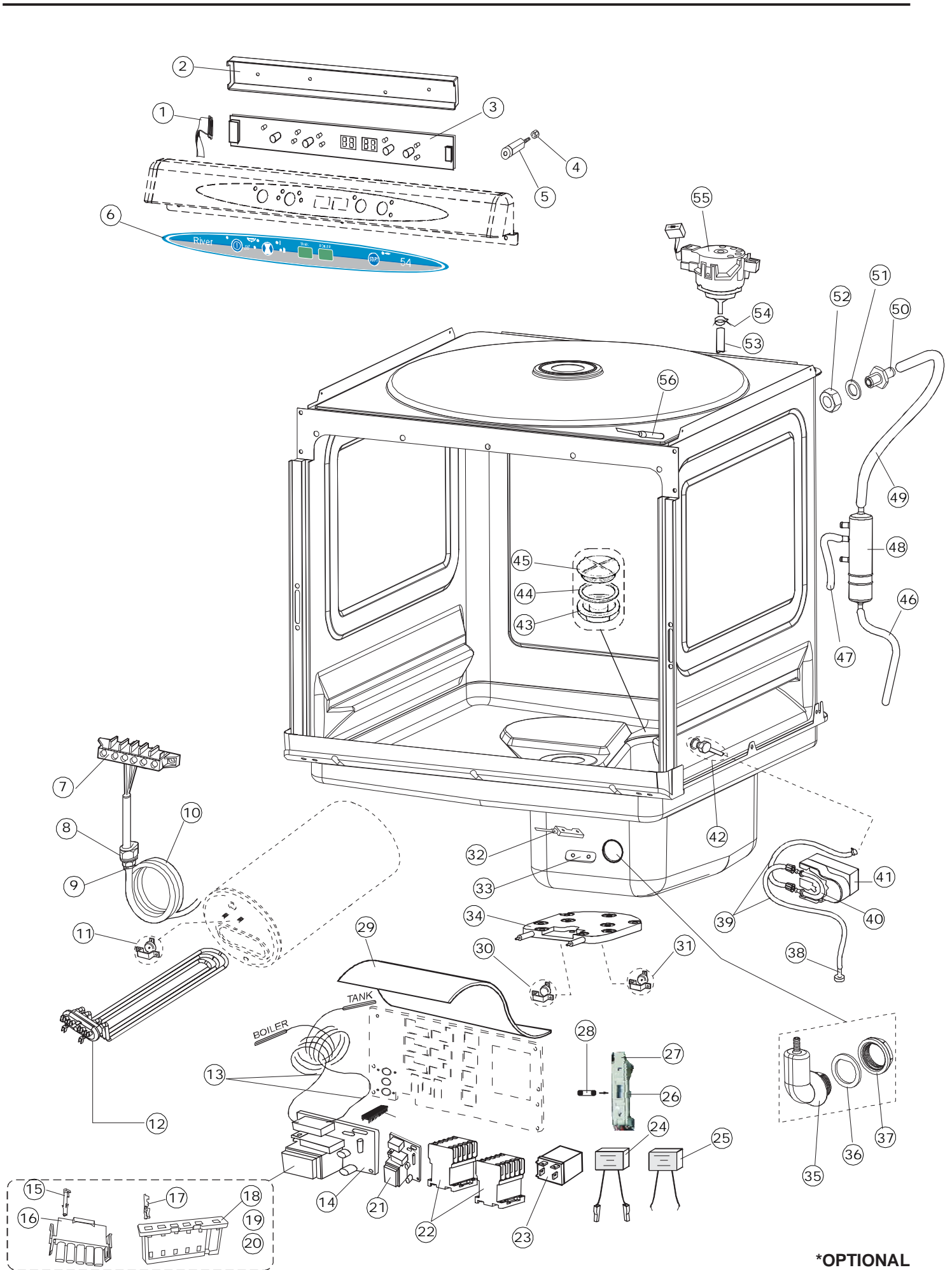
1



Pagina 1

1	004112	CAPPELLO X5 EB COVER X5 EB DECKEL X5 EB COUVERTURE X5 EB	
2	021097	FIANCO SX.X5 SIDE, LH X5 SEITE, LINKS X5 COTE, GAUCHE X5	
3	021096	FIANCO DX.X5 SIDE, RH X5 SEITE, RECHTS X5 COTE, DROITE X5	
4	022139	PANNELLO POSTERIORE X5 PANEL, REAR X5 PLATTE, HINTEN X5 PANNEAU ARRIERE X5	
5	012274	FRONTALINO EST.X5 EB FRONT PANEL, OUT.X5 EB FRONTTEIL, AUSS.X5 EB PANNEAU FRONTAL EXT.X5 EB	
6	029411	PORTA COMPLETA X5 EB COMPLETE DOOR X5 EB TUER KOMPLETT X5 EB PORTE COMPLETE X5 EB	
7	480107	TAPPO MANIGLIA DX.X5 EB CAP, HANDLE RH X5 EB PFROPFEN, GRIFF RECHTS X5 EB BOUCHON POIGNEE DROITE X5 EB	
8	480108	TAPPO MANIGLIA SX.X5 EB CAP, HANDLE LH X5 EB PFROPFEN, GRIFF LINKS X5 EB BOUCHON POIGNEE GAUCHE X5 EB	
9	999168	GRUPPO PANNELLO COMANDI RIVER CONTROL PANEL RIVER SCHALTAFEL RIVER ENS.TABLEAU COMMANDE RIVER	
10	480105	TAPPO CAPPELLO SX.X5 EB COVER PLUG-LH X5 EB PFROPFEN, DECKEL-LINKS X5 EB BOUCHON GAUCHE X5 EB	
11	480106	TAPPO CAPPELLO DX.X5 EB COVER PLUG-RH X5 EB PFROPFEN, DECKEL-RECHTS X5 EB BOUCHON DROITE X5 EB	
12	328082	FRONTALINO CIELO GRIGIO X5 FRONT PANEL, CEILING GREY X5 FRONTTEIL, DECKE GRAU X5 PANNEAU FRONTAL CIEL GRIS X5	
13	437097	GUARNIZIONE PORTA RV50 PACKING DICHTUNG JOINT	
14	304024	ASTA PORTA X5 ROD, DOOR X5 STANGE, TÜR X5 BARRE PORTE X5	
15	499078	RULLO CLEAN.3 ROLLER, CLEAN.3 ROLLE, CLEAN.3 ROULEAU CLEAN.3	
16	449049	MOLLA ASTA PORTA POST.I=130 CL.3 SPRING, REAR DOOR ROD I=130 CL.3 FEDER, TÜRSTANGE HINTEN I=130 KL.3 RESSORT BARRE PORTE ARRIERE I=130 CL.3	
17	449057	MOLLA PORTA RV54 SPRING FEDER RESSORT	

18	307012	GUIDA BATTUTA ASTA PORTA GRIGIO X5 GUIDE, DOOR ROD BUFFER, GREY X5 FÜHRUNG, ANSCHLAG TÜRSTANGE GRAU X5 GUIDE FEUILLURE BARRE PORTE GRIS X5	
19	030155	GRUPPO DEFLETTOR ACQUA+CERNIERE X5 EB DEFLECTOR, WATER+HINGES X5 EB ABLENKPLATTE, WASSER+SCHARNIERE X5 EB DEFLECTEUR EAU+CHARNIERES X5 EB	
20	486224	VITE ASTA PORTA X5 SCREW, ROD HOLDER X5 SCHRAUBE, TÜRSTANGE X5 VIS BARRE PORTE X5	
21	035062	STAFFA COMP. ELETTRICI X5 PIEG. BRACKET, ELECTR.COMP. X5 BENT BÜGEL, EL.KOMP. X5 GEBOG. ETRIER COMP. ELECTRIQUES X5 PLIE	
22	459020	PASSACAVO DK 18/22/27-1 X5 FAIRLEAD, DK 18/22/27-1 X5 KABELDURCHGANG, DK 18/22/27-1 X5 PASSE-CABLE DK 18/22/27-1 X5	
23	040099	ZOCCOLO X5 CPL. BASE X5 SOCKEL KOMPLETT SOCLE 5X CMPL	
24	461019	PIEDINO REGOLABILE D30 M8 FOOT, ADJUST. D30 M8 VERSTELLFUSS D30 M8 PIED REGLABLE D30 M8	
25	459004	PASSATUBO GOMMA DI.34 PIPEHOLDER, RUBBER DI.34 ROHRDURCHGANG, GUMMI DI.34 SUPPORT-TUYAU CAOUTCHOUC DI.34	
26	459006	PASSACAVO Di9/De16 22 FAIRLEAD, Di9/De16 22 KABELDURCHGANG, Di9/De16 22 PASSE-CABLE Di9/De16 22	



***OPTIONAL**

MOD. River 54CRP-s.p.

Pagina 2

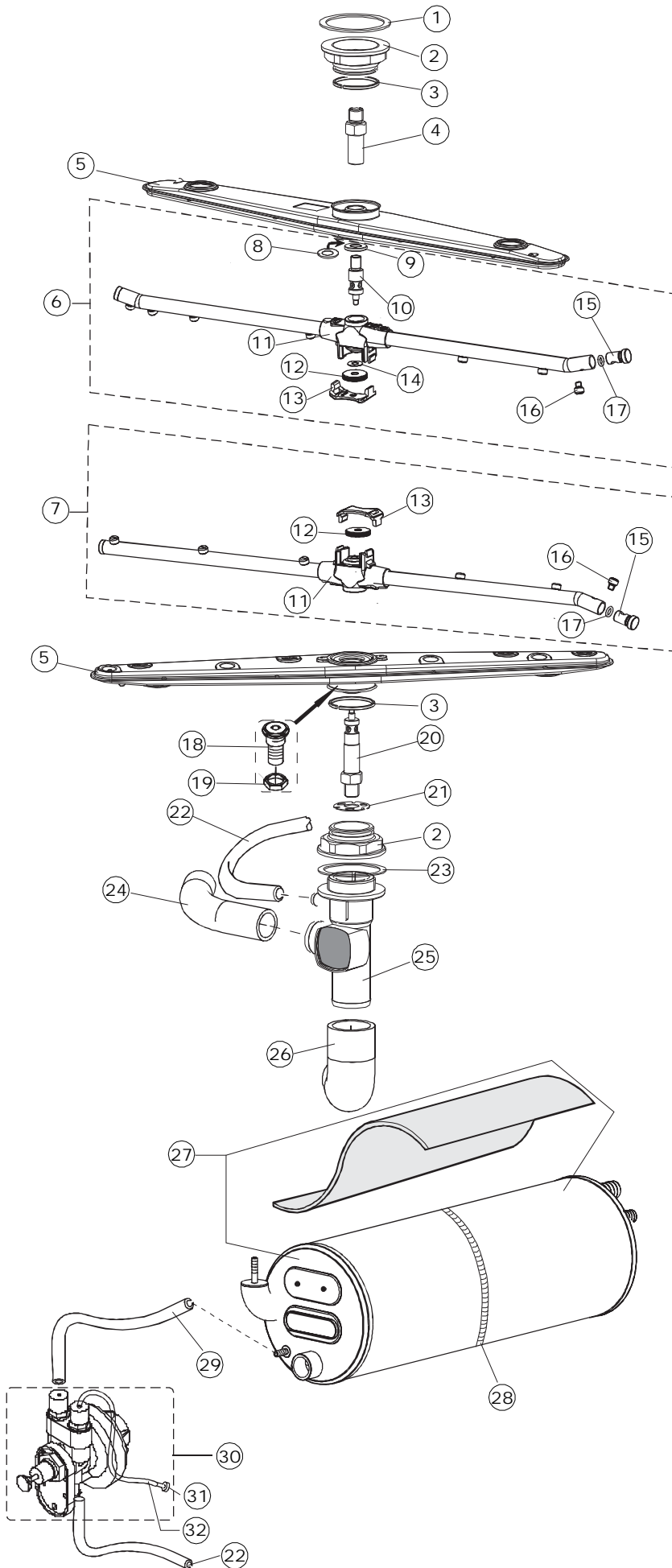
1	211009	CAVO FLAT 10 VIE X PULS.SOFT TOUCH GET 5 CABLE, FLAT 10 VIE X PB.SOFT TOUCH GET 5 KABEL, FLAT 10 VIE X DRUCKT.SOFT TOUCH GET 5 CABLE FLAT 10 VOIES POUR BP SOFT TOUCH GET 5	
2	214104	PROTEZ.PULSANTIERA TERMOFORMATATA PLASTIC PROTECTION PROTECTION PLASTIQUE	
3	227084	PULSANTIERA 4 TASTI 2 DISPLAY X GET50 PUSH BUTTONS ASSEMBLY TASTENFELD TABLEAU DE PUSOIR	
4	417119	DADO M3 PLASTICA BIANCO NUT, M3 PLASTIC WHITE SCHRAUBENMUTTER, M3 KUNST. WEISS ECROU M3 PLASTIQUE BLANC	
5	419036	DISTANZIALE M3 SPACER, M3 ABSTANDSSTÜCK, M3 ENTRETOISE M3	
6	025720	MASCHERINA POLIESTERE RIVER 54 POLYESTERE CONTROL PANEL RIVER 54 FRONTBLLENDE PANNEAU AVANT	
7	220011	* MORSETTIERA 5.POLI + TERRA FV.122 * TERMINAL BOARD, 5-POLES + EARTH FV.122 * KLEMMENBRETT, 5-POLIG + ERDUNG FV.122 * PLAQUE A BORNE 5POLES + TERRE FV.122	
8	H.324304-6	PASSACAVO PG21 CORE HITCH LIPPKLAMPE PASSE-CABLE PG21	
9	417123	CONTRODADO PL.PG2104.36(168455) SHAFT FIXING COUNTERNUT BEFEST.GEGENMUTTER WELLE CONTRE-ÉCROU DE FIXATION	
10	H.374339-2	CAVO MACCHINA H07RN-F 5X2.5X3.0MT CABLE H07RN-F 5X2.5X3.0MT MASCHINE KABERL H07RN-F 5X2.5X3.0MT CABLE MACHINE H07RN-F 5X2.5X3.0MT	
11	236047	TERM.CONTATTO VASCA/S.95ø+/-3ø THERM.,CONT. TANK/S.95ø+/-3ø THERM.,KONT. TANK/S.95ø+/-3ø THERM.CONTACT CUVE/S.95ø+/-3ø	
12	230108	RESISTENZA B. A ESPANSIONE 7000W/230V RESISTANCE, B. EXPANS. 7000W/230V WIDERSTAND, B. EXPANS. 7000W/230V RESISTANCE CH. A EXPANSION 7000W/230V	
13	231014	SONDA TEMPERATURA GET-5 PROBE, TEMP. GET-5 SONDE, TEMP. GET-5 SONDE TEMPERATURE GET-5	
14	215023	SCHEDA GET-5/NIAGARA-RIVER CARD GET-5/NIAGARA-RIVER KARTE GET-5/NIAGARA-RIVER FICHE GET-5/NIAGARA-RIVER	
15	CN7	PUNTALE X CONNETTORE(CN5)(GET5) PUSH ROD, FOR CONNECTOR(CN5)(GET5) SPITZE, FÜR STECKVERBINDER(CN5)(GET5) EMBOUT POUR CONNECT.(CN5)(GET5)	
16	CN5	CONNETTORE 5 POLI DI POTENZA(GET5) CONNECTOR, 5 POLES(GET5) STECKVERBINDER, 5 POL.(GET5) CONNECTEUR 5 POLES DE PUISSANCE (GET5)	
17	CN6	PUNTALE X CONNETTORE(CN2,CN3,CN4)(GET5) PUSH ROD, FOR CONNECTOR (CN2,CN3,CN4)(GET5) SPITZE, FÜR STECKVERBINDER (CN2,CN3,CN4)(GET5) EMBOUT POUR CONNECT.(CN2,CN3,CN4)(GET5)	

18	CN2	CONNETTORE 8 POLI(GET5) CONNECTOR, 8 POLES(GET5) STECKVERBINDER, 8 POL.(GET5) CONNECTEUR 8 POLES(GET5)	
19	CN3	CONNETTORE 5 POLI(GET5) CONNECTOR, 5 POLES(GET5) STECKVERBINDER, 5 POL.(GET5) CONNECTEUR 5 POLES(GET5)	
20	CN4	CONNETTORE 6 POLI(GET5) CONNECTOR, 6 POLES(GET5) STECKVERBINDER, 6 POL.(GET5) CONNECTEUR 6 POLES(GET5)	
21	215022	SCHEDA ESP1 1RELE' X GET5 CARD ESP1 1RELAY X GET5 KARTE ESP1 1RELAIS X GET5 FICHE ESP1 1RELAIS X GET5	
22	229037	CONTATTORE QUADRIPOLE X5 22A CONTACTOR QUADRIPOLE X5 22A SCHALTSCHÜTZ VIERPOL. X5 22A CONTACTEUR QUADRIPOLAIRE X5 22A	
23	229029	RELE' FINDER 65.31 230/50 RELAY FINDER 65.31 230/50 RELAIS FINDER 65.31 230/50 RELAIS FINDER 65.31 230/50	
24	H.301852	FILTRO RC AM600 (FASTON) FILTER, RC AM600 (FASTON) FILTER, RC AM600 (FASTON) FILTRE RC AM600 (FASTON)	
25	H.301853	FILTRO RC FM400 (PUNTUALE) FILTER, RC FM400 (PUNCT.) FILTER, RC FM400 (PUNKTL.) FILTRE RC FM400 (EXACT)	
26	210011	PIASTRINA TERMINALE SFR/PT CABUR PLATE PLAETTCHEN PLAQUETTE	
27	210010	PORTAFUSIBILE UL FUSE-HODER SICHERUNGSHALTER PORTE-FUSIBLE	
28	228004	FUSIBILE 5X20 4A FAST FUSE, 5X20 4A FAST SICHERUNG, 5X20 4A FAST FUSIBLE 5X20 4A FAST	
29	214086	PROTEZ.EL.TELA TRASP.463/503 EL.PROTECTION,TRASP.CANVAS 463/503 EL.SCHUTZ,DURCHS.GEWEBE 463/503 PROTECT.EL.TOILE TRANSP.463/503	
30	236056	TERM.CONTATTO VASCA/L.125°(16A)RV54 THERMOSTAT THERMOSTAT THERMOSTAT	
31	236053	TERM.CONTATTO VASCA/S. 200ø (X5) THERM.,CONT. TANK/S. 200ø (X5) THERM.,KONT. TANK/S. 200ø (X5) THERM.CONTACT CUVE/S. 200ø (X5)	
32	211002	CONT.MAGNETICO+CAVO 302N.Ocm25 CONTACT, MAGNETIC+CABLE 302N.Ocm25 KONTAKT, MAGNET.+KABEL 302N.Ocm25 CONT. MAGNETIQUE+CABLE 302N.Ocm25	
33	028105	PIASTRINA FERMA SONDA FIXING PLATE PLATCHEN PLAQUETTE FISSAGE	
34	999206	KIT RESIST.VASCA RV.50+PASTA CONDUTTIVA KIT, TANK RES. RV.50+CONDUCTIVE PASTE KIT, TANKWIDER. RV.50+LEITFAH. PASTE KIT RESIST.CUVE RV.50+PATE CONDUCTIVE	
35	107012	CAMPANA PRESSOSTATO (L) RV40-50-CAPOTE AIR TRAP WINDKESSEL PRISE D'AIR	

36	437098	GUARNIZIONE NUOVA CAMP.PRESS. PACKING FOR AIR TRAP OF PRESSURE SWITCH DICHTUNG FUER WINDKESSEL DES DRUECKWVAEC HTERS JOINT PRISE D'AIRE PRESSOSTAT	
37	417120	DADO PLASTICA GRIGIO PLASTIC NUT KUNSTSTOFFMUTTER 1-1/4 ECROU EN PLASTIQUE	
38	121075	FILTRO ASPIR.INOX(775239-001) FILTER, SUCT.INOX (775239-001) FILTER, ABSAUG.INOX (775239-001) FILTRE ASPIR.INOX(775239-001)	Optional
39	143194	TUBO 4x6 CRISTAL TRASPARENTE PIPE 4x6 CRISTAL, TRANSP. ROHR 4x6 CRISTAL, DURCHS. TUYAU 4x6 CRISTAL TRANSPARENT	Optional
40	143219	TUBETTO SANTOPRENE 6X10 RACCORDI+GHIERE TUBE, SANTOPRENE 6X10 FITTINGS+METAL RINGS RÖHRCHEN, SANTOPRENE 6X10 VERBIND.+GEWINDERINGE TUBE SANTOPRENE 6X10 RACC.+COLL.DE SERR.	Optional
41	209021	DOSAT.PERIST.DETERGENTE REG. PERISTALTIC DISPENSER (NBR-3)	Optional
42	468151	RACCORDO ENTRATA SAPONE CPL NM * SALDATO UNION, EXTRA DET. CPL NM * WELDED VERBINDUNGSST., SEIFENEINTRITT CPL NM * GESCHW. RACCORD ENTREE SAVON CPL NM * SOUDE	
43	429012	GHIERA TAPPA FORO BOCCIA SALE RING NUT, SALT CONT.LOCK.HOLE GEWINDERING, VERSCHL. SALZBEH. BAGUE FERME-TROU BAC A SEL	
44	437034	GUARNIZIONE D68D81S3 GOMMA GASKET, D68D81S3 RUBBER DICHTUNG, D68D81S3 GUMMI JOINT D68D81S3 CAOUTCHOUC	
45	480006	TAPPO SEDE BOCCIA SALE CAP, FOR SALT CONT. SEAT PFROPFEN, SITZ FÜR SALZBEHALTER BOUCHON LOGEM. BAC A SEL	
46	143028	TUBO PVC 4x7 CRISTAL TRASPARENTE PIPE, PVC 4x7 GLASS CRYSTAL TRANSPARENT ROHR, PVC 4x7 GLAS KRITSALL DURCHSICHT. TUYAU PVC 4x7 CRISTAL TRANSP.	
47	H.165178	TUBO PVC 5X8 CRUSTAL TRASPARENTE PVC PIPE PVC SCHLAUCH TUYAU PVC	
48	144018	SERBATOIO SOFT START BREAK TANK "SOFT START" BEHAELTER "SOFT START" RESERVOIR "SOFT START"	
49	H.165168	TUBO PVC 6X9 CRISTAL TRASP. RAUCLAIR PVC PIPE PVC SCHLAUCH TUYAU PVC	
50	468193	RACCORDO SFIATO DOPPIO RV54	
51	437099	GUARNIZIONE GOMMA D10.5 RUBBER GASKET D10.5 GUMMIDICHTUNG D10.5 JOINT EN CAOUTCHOUC D10.5	
52	H.602493	DADO M10 INOX A2 UNI5588 NUT MUTTER ECROU	
53	143028	TUBO PVC 4x7 CRISTAL TRASPARENTE PIPE, PVC 4x7 GLASS CRYSTAL TRANSPARENT ROHR, PVC 4x7 GLAS KRITSALL DURCHSICHT. TUYAU PVC 4x7 CRISTAL TRANSP.	

54	423011	FASCETTA A MOLLA CLAMP, SPRING-TYPE SCHELLE, FEDER BANDE DE SERRAGE A RESSORT	
55	224999	PRESS.ANALOGICO+ADATTATORE+ISTRUZ.CRP-SP PRESS.ANALOGIC,ADAPTATOR+INSTRUCT.CRP-SP ANAL. DRUCKSCH.+ZWISCHENSTECK.+ANLEITUNGEN CRP-SF PRESSOSTAT ANALOGIQUE AVEC ADAPATEUR	
56	211001	CONT.MAGNETICO+CAVO 29N.O.cm25 CONTACT, MAGNETIC+CABLE 29N.O.cm25 KONTAKT, MAGNET.+KABEL 29N.O.cm25 CONT. MAGNETIQUE+CABLE 29N.O.cm25	

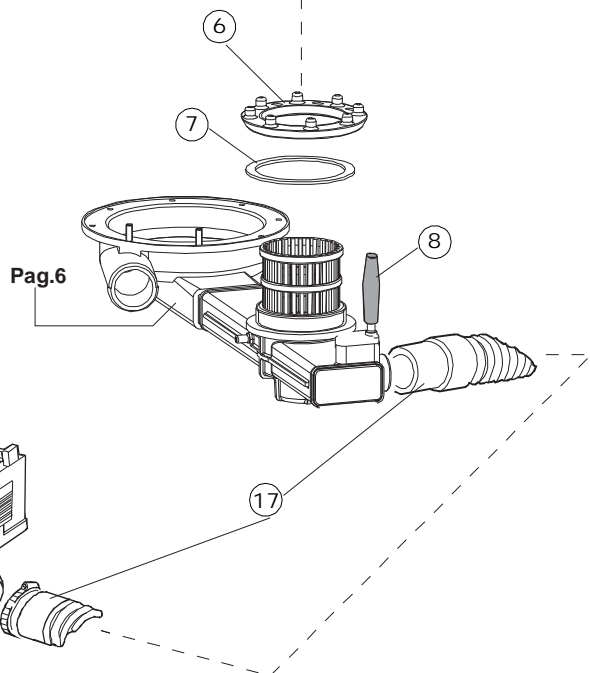
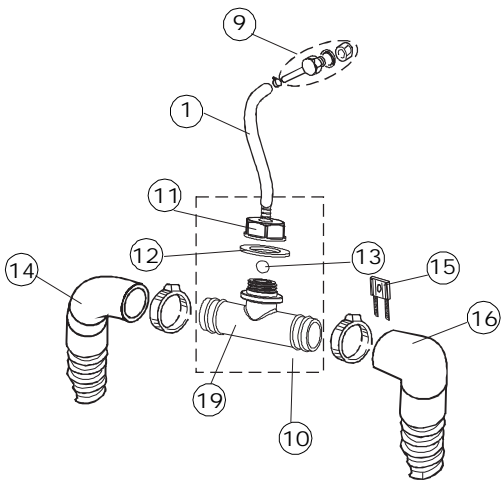
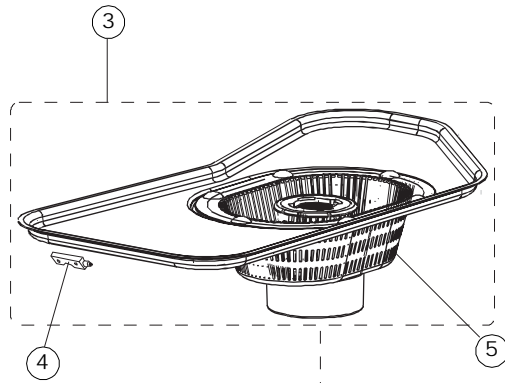
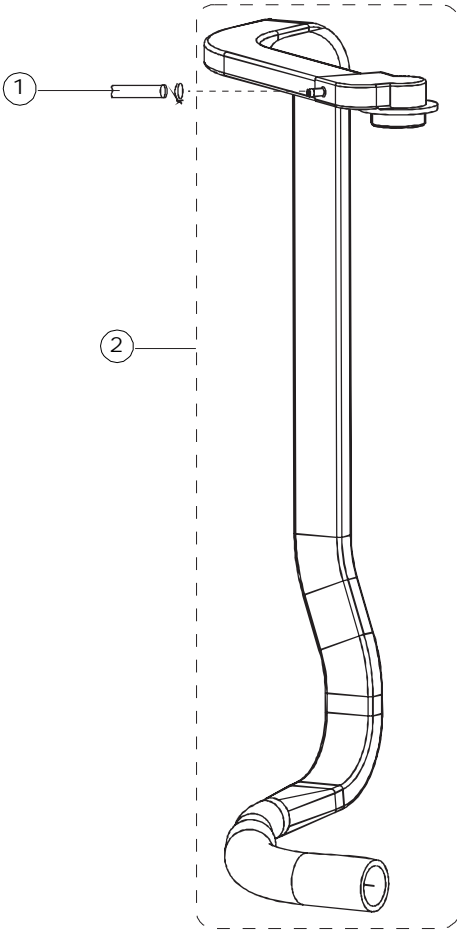
3



Pagina 3

1	437079	GUARNIZIONE CORPO INFER.E35/40 GASKET, LOWER SHELL E35/40 DICHTUNG, UNT.GEHAUSE E35/40 JOINT CORPS INF.E35/40	
2	429069	GHIERA COND.CENTRALE X5 RING NUT, CENTR.PIPELINE X5 GEWINDERING, HAUPTLEITUNG X5 BAGUE COND.CENTR. X5	
3	303032	ANELLO INOX DI TENUTA LAVAGGIO X5 RING, INOX WASH. SEAL X5 DICHTUNGSRING, INOX SPÜL. X5 BAGUE INOX D'ETANCHEITE LAVAGE X5	
4	325070	PROLUNGA PERNO RISC.SUP.X5 EXTENSION, FOR UPPER RINSE PIN X5 VERLANGERUNG, FÜR OB. NACHSPÜLZAPFEN X5 RALLONGE PIVOT RINC.SUP.X5	
5	990107	GR. PETTINE LAVAGGIO X5 WASHING COMB X5 SPÜLKAMM X5 ENS.PEIGNE DE LAVAGE X5	
6	993051	GR. RISCIAQUO SUP. RIVER 48 RINSE, UPP. RIVER 48 NACHSPÜLEN, OB. RIVER 48 ENS.RINCAGE SUP. RIVER 48	
7	993052	GR. RISCIAQUO INF. RIVER 48 RINSE, LOW. RIVER 48 NACHSPÜLEN, UNTEN RIVER 48 ENS.RINCAGE INF. RIVER 48	
8	437090	GUARNIZIONE D9.3D22S1.0 PTFE GASKET, D9.3D22S1.0 PTFE DICHTUNG, D9.3D22S1.0 PTFE JOINT D9.3D22S1.0 PTFE	
9	472068	RONDELLA FILETTATA D22 PERNO RISC.X5 WASHER, THREADED D22 RINSE PIN X5 UNTERLEGSCHIEBE, MIT GEWINDE D22 NACHSPÜL. ZAPFEN X RONDELLE FILETTEE D22 PIVOT RINC.X5	
10	325071	PERNO RISC.SUP.X5 PIN, UPP.RINSE X5 ZAPFEN, OB.NACHSPÜLEN X5 PIVOT RINC.SUP.X5	
11	129054	CORPO PETTINE RISCIAQUO.X5 RINSE-ARM SUPPORT COMB X5 GEHAUSE, NACHSPÜLKAMM X5 CORPS PEIGNE RINCAGE.X5	
12	454005	NOTTOLINO TORNITO D21.5 PAWLN, TURNED D21.5 KLINKE, GEDREHT D21.5 CLIQUET TOURNE D21.5	
13	412029	FERMO DI SICUR.NOTTOLINO X5 SAFETY STOPPER, PAWL X 5 SICHERH.HALTEVORR., KLINKE X 5 ARRET DE SECURITE CLIQUET X5	
14	437091	GUARNIZIONE D6D13S0.5 PTFE GASKET, D6D13S0.5 PTFE DICHTUNG, D6D13S0.5 PTFE JOINT D6D13S0.5 PTFE	
15	926132	TAPPO PL.X BRACCIO DI RISC.(DWT312) CAP, PLASTIC FOR WASH. ARM (DWT312) PFROPFEN, KUNST. FÜR NACHSPÜLARM (DWT312) BOUCHON PL.POUR BRAS DE RINC.(DWT312)	
16	140019	SPRUZZO RISCIAQUO CL.3-NS.COD.165279 SPRAY CL.3-NS.COD.165279 SPRITZ KL.3-NS.SERIENN.165279 JET RINCAGE CL.3-NS.COD.165279	
17	456060	OR 2025(CGR2025) O-ring 2025(CGR2025) O-Ring 2025(CGR2025) OR 2025(CGR2025)	

18	308031	GHIERA BUSSOLA LAVAGGIO X5 RING NUT, WASH.BUSH X5 GEWINDERING, SPÜL.BUCHSE X5 BAGUE DOUILLE LAVAGE X5	
19	417111	BUSSOLA PETTINE LAV.X5 BUSHING, WASH-ARM X5 BUCHSE, SPÜLKAMM X5 DOUILLE PEIGNE LAV.X5	
20	325069	PERNO PETTINE LAV./RISC.INF.X5 PIN, LOW.WASH./RINSE COMB.X5 ZAPPEN, UNT. SPÜL-/NACHSPÜLKAMM X5 PIVOT PEIGNE LAV./RISC.INF.X5	
21	199053	DISCO PARZIAL.ACQUA X5 DISC, WATER FLOW REDUCER X5 DROSSELSCHEIBE, WASSER X5 DISQUE ETRANGL. EAU X5	
22	143004	TUBO PRESS.TP 10X17 (CASER/15NL C4N) PIPE, PRESSURE SWITCH TP 10X17 (CASER/15NL C4N) ROHR, DRUCKSCHALTER TP 10X17 (CASER/15NL C4N) TUYAU PRESS.TP 10X17 (CASER/15NL C4N)	
23	437079	GUARNIZIONE CORPO INFER.E35/40 GASKET, LOWER SHELL E35/40 DICHTUNG, UNT.GEHAUSE E35/40 JOINT CORPS INF.E35/40	
24	127065	MANICOTTO LAVAGGIO SUP.X5 SLEEVE, WASH. UPP.X5 MUFFE, SPÜL. OB.X5 MANCHON LAVAGE SUP.X5	
25	115118	CONDOTTO CENTR.INF.RV54+TAPPO LOWER CENTRAL WASH-PIPELINE+CAP ZENTRALWASCHLEITUNG -UNTEN + DECKEL CONDUITE CENTRALE INFERIEURE+BOUCHON	
26	127064	MANICOTTO LAVAGGIO INF.X5 SLEEVE, WASH. LOW.X5 MUFFE, SPÜL. UNTEN X5 MANCHON LAVAGE INF.X5	
27	982019	GRUPPO BOILER X5 CRP BOILER X5 CRP BOILER X5 CRP ENS.CHAUDIERE X5 CRP	
28	423016	FASCETTA BOILER 22/66 CLAMP, BOILER 22/66 SCHELLE, BOILER 22/66 BANDE DE SERRAGE CHAUDIERE 22/66	
29	143005	TUBO PRESS.TP 5x11 (CASER/15/NL C4N) PIPE, PRESSURE SWITCH TP 5x11 (CASER/15/NL C4N) ROHR, DRUCKSCHALTER TP 5x11 (CASER/15/NL C4N) TUYAU PRESS.TP 5x11 (CASER/15/NL C4N)	
30	929198	DOSATORE IDR.TENSIOATT.(DIB P 12002097) DISPENSER, HYDR.TENSIOACT.(DIB P 12002097) DOSIERER, HYDR.TENSID (DIB P 12002097) DOSEUR HYDR.NETTOYANT (DIB P 12002097)	
31	121075	FILTRO ASPIR.INOX(775239-001) FILTER, SUCT.INOX (775239-001) FILTER, ABSAUG.INOX (775239-001) FILTRE ASPIR.INOX(775239-001)	
32	143194	TUBO 4x6 CRISTAL TRASPARENTE PIPE 4x6 CRISTAL, TRANSP. ROHR 4x6 CRISTAL, DURCHS. TUYAU 4x6 CRISTAL TRANSPARENT	

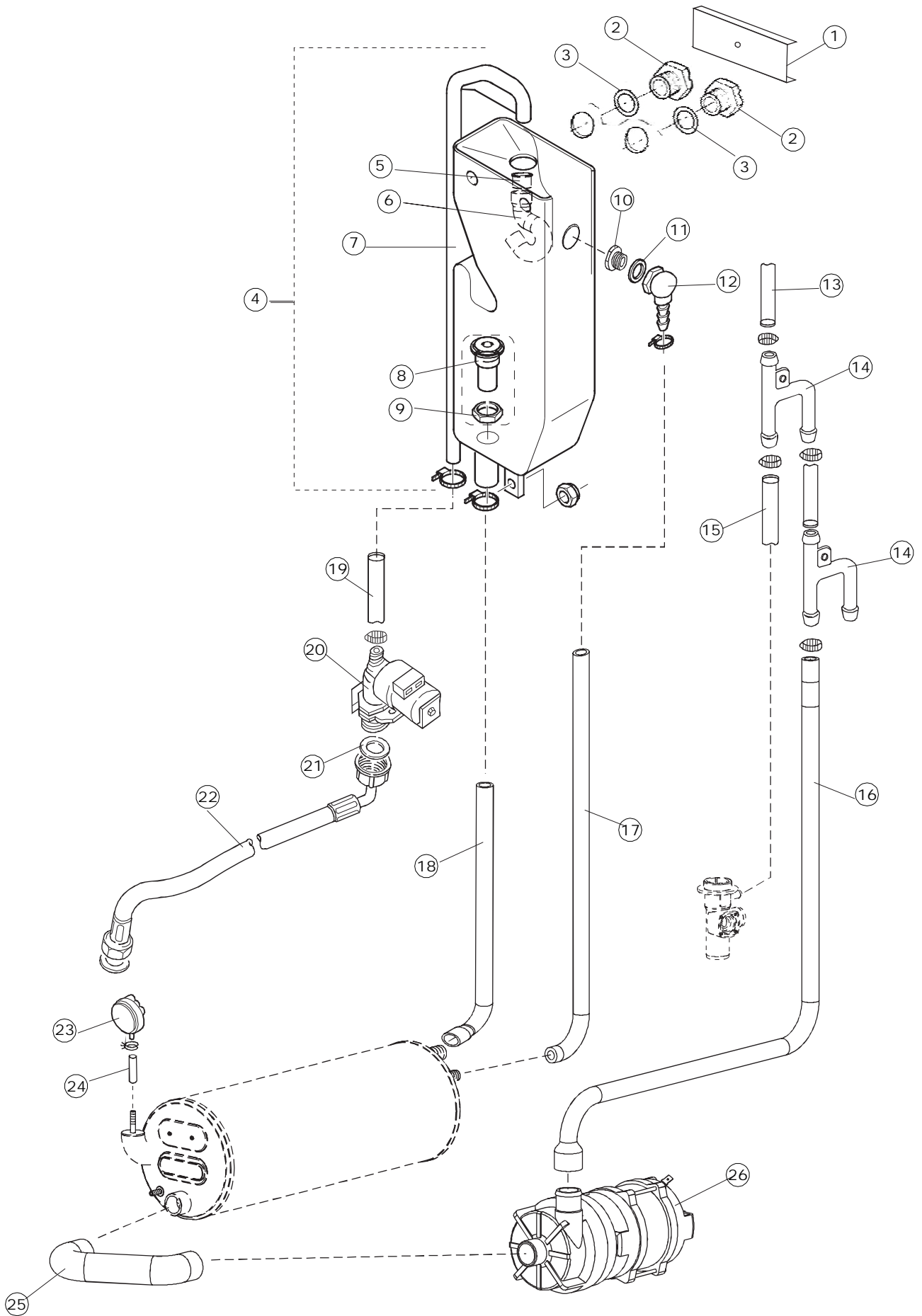


Pagina 4

1	143028	TUBO PVC 4x7 CRISTAL TRASPARENTE PIPE, PVC 4x7 GLASS CRYSTAL TRANSPARENT ROHR, PVC 4x7 GLAS KRITSALL DURCHSICHT. TUYAU PVC 4x7 CRISTAL TRANSP.	
2	115139	CONDOTTA LAV.EST.PL.X5 CON MANICOTTO EXTERIOR WASH PLASTIC PIPE X5 WASCHLEITUNG AUSSEN PL.X5 CONDUITE LAVAGE EXT.PL.CPL X5	
3	121114	FILTRO VASCA X5 CON IMP. CHIUSA CPL. TANK STRAINER SIEB FILTRE	
4	217003	MAGNETE M302AF MAGNET M302AF MAGNET M302AF AIMANT M302AF	
5	121113	RACCOGLITORE FILTRO X5 CON IMP.CHIUSA X5_S.P. FILTER BOX FILTER BINDER RAMASSEUR FILTRE	
6	429068	GHIERA FISSA COLLETTORE X5 RING NUT, COLL.FIX. X5 GEWINDERING, SAMMELLEIT. X5 BAGUE FIXE COLLECTEUR X5	
7	437087	GUARNIZ.GOMMA CONDOTTO ASP.X5 GASKET, RUBBER, EXHAUST.PIPELINE X5 DICHTUNG, GUMMI, ABSAUG.LEITUNG X5 JOINT CAOUTCHOUC CONDUITE ASP.X5	
8	80993	PIEDINO GOMMA "HELAVIA" (ART.15-327) 133490 NERO RUBBER FOOT "HELAVIA" FUSS "HELAVIA" PIED "HELAVIA"	
9	468151	RACCORDO ENTRATA SAPONE CPL NM * SALDATO UNION, EXTRA DET. CPL NM * WELDED VERBINDUNGSST., SEIFENEINTRITT CPL NM * GESCHW. RACCORD ENTREE SAVON CPL NM * SOUDE	
10	144994	GR.VALVOLA DI SFIATO X PS CRP DRAIN PUMP VENT VALVE CRP LUFTLOCH-VENTIL DER ABFLUSSPUMPE CRP SOUPAPE DE SOUPIRAL POMPE DE VIDANGE CRP	
11	468198	RACCORDO VALVOLA SFIATO LA50 CONNECTION LA50 ANSCHLUSSSTUECK LA50 RACCORD LA50	
12	437083	GUARNIZIONE GOMMA D32D19.5S1.5 GASKET, RUBBER D32D19.5S1.5 DICHTUNG, GUMMI D32D19.5S1.5 JOINT CAOUTCHOUC D32D19.5S1.5	
13	476008	SFEROA VALVOLA LA50. HOST	
14	143137	TUBO SCARICO D18 TERM.LE CURVO PIPE, DRAIN D18 BENT TERM. ABLASSROHR D18 GEBOG. ENDE TUYAU VIDANGE D18 TERMINAL COURB	
15	423013	FASCETTA 360x4.5M CLAMP, 360x4.5M SCHELLE, 360x4.5M BANDE DE SERRAGE 360x4.5M	
16	127077	MANICOTTO P.S. - VALVOLA DI SFIATO X5SP SLEEVE MUFFE DURITE	
17	127086	MANICOTTO ASPIRAZ.POMPA SC.RV54 DRAIN PUMP INLET HOSE ANSAUGSCHLAUCH UMWAEHZPUMPE DURITE ASPIR. POMPE VIDANGE	

18	130123	POMPA SCARICO (450/D18/VICT.12/32) DRAIN PUMP (450/D18/VICT.12/32) ABLASSPUMPE (450/D18/VICT.12/32) POMPE VIDANGE (450/D18/VICT.12/32)	
19	144024	VALVOLA SFIATO A(T)P/SCARICO INT.VASCA VENT VALVE LUFTLOCH-VENTIL SOUPAPE DE SOUPIRAL	

5

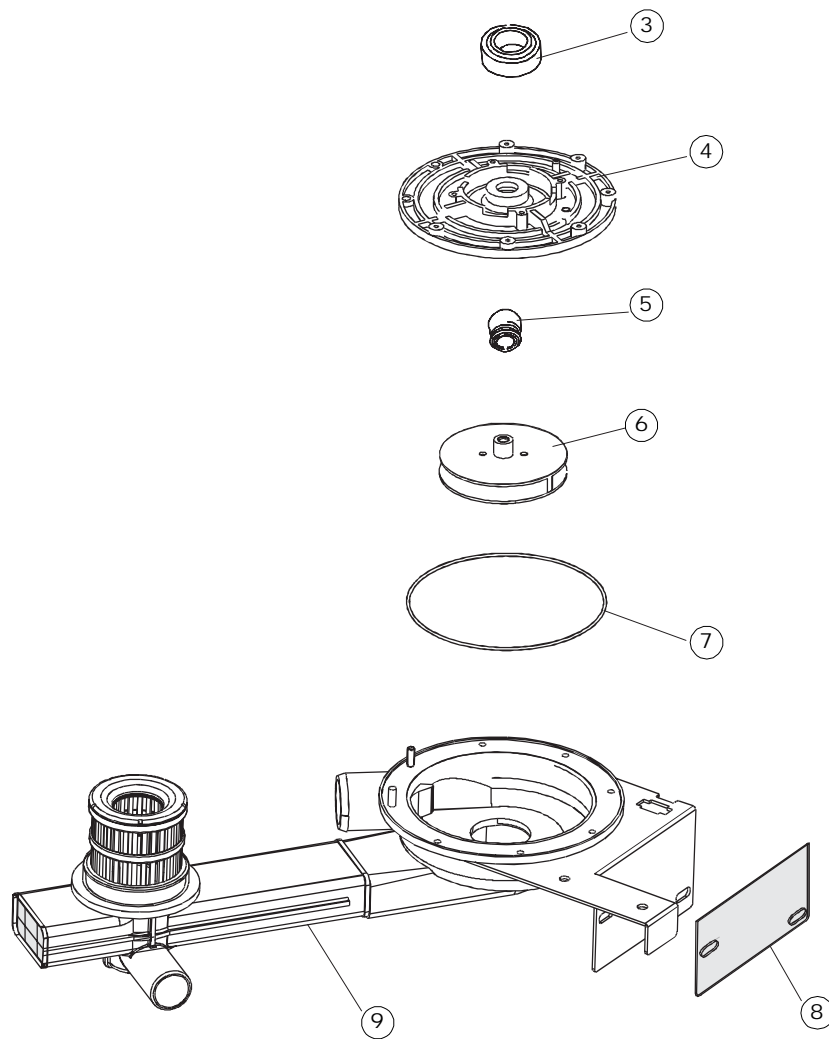
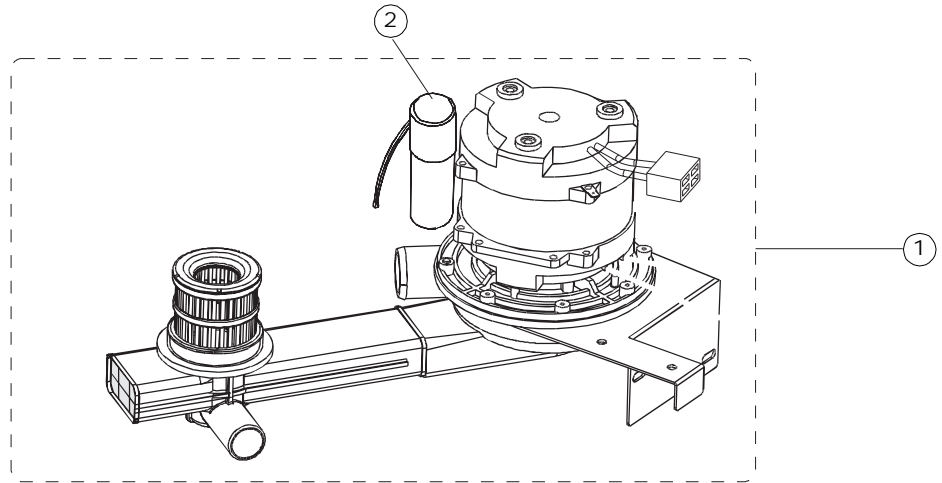


Pagina 5

1	033337	SQ.DEFLETTORE INTERNO VASCA AIR.GAP. BRACK., TANK INS.DEFLECTOR AIR.GAP. WINKEL, INN.ABLENKPLATTE TANK AIR.GAP. EQ.DEFLECTEUR INTERIEUR CUVE AIR.GAP.	
2	429036	GHIERA PER PIPA SCARICO 11 RING NUT, FOR DRAIN PIPE 11 GEWINDERING, FÜR ABLAUFFITTING 11 BAGUE POUR TUYAU DE VIDANGE 11	
3	437025	GUARNIZIONE D27D35S1.5 FIBRA GASKET, D27D35S1.5 FIBRE DICHTUNG, D27D35S1.5 FASERSTOFF JOINT D27D35S1.5 FIBRE	
4	144020	SERBATOIO AIR-GAP ASSEMBLATO AIR GAP CONTAINER FOR POT AND PAN WASHER ASSY AIR GAP BEHAELTER, KOMPLETT FUER KOCHTOE PFESPUELE RESERVOIR AIR GAP,COMPLET POUR LAVE-CASSEROLES	
5	308033	BOCCOLA AIR-GAP CW511D	
6	127088	MANICOTTO POMPA SCARICO LA50 DRAIN PUMP SLEEVE LA50 ABSAGUNGSMUFFE LA50 MANCHON POMPE DE VIDANGE LA50	
7	41167	SERBATOIO AIR-GAP LP COMPLETO TANK, AIR-GAP LP COMPLETE TANK, AIR-GAP LP KOMPL. RESERVOIR AIR-GAP LP COMPLET	
8	926129	SUPPORTO/MOZZO LANCIA LAVAGGIO SUPPORT/HUB FOR WASH-ARM HALTER/NABE FÜR SPÜLLANZE SUPPORT/MOYEU RAMPE DE LAVAGE	
9	80314	DADO LANCIA LAVAGGIO GRIGIO NUT, WASH-ARM GREY SCHRAUBENMUTTER, SPÜLLANZE GRAU ECROU RAMPE DE LAVAGE GRIS	
10	429050	GHIERA FISSAGGIO PIPA RACC. 35 RING NUT, UNION PIPE FIX. 35 KLEMMRING FÜR FITTING 35 BAGUE FIXATION TUYAU RACC. 35	
11	437078	GUARNIZIONE DOSAT.E35/.RISC.SUP. GASKET, DISPENSER E35/.UPP.RINSE DICHTUNG, DOSIERER E35/.OB.NACHSPÜLEN JOINT DOSEUR E35/.RINC.SUP.	
12	468165	PIPA RACCORDO PLASTICA 35/40/22 LUG, PLASTIC UNION 35/40/22 FITTING, KUNST. VERBINDUNGSST. 35/40/22 TUBE RACCORD PLAST.35/40/22	
13	143186	TUBO CONDOTTA RISC.INF. CL.3 PIPE, RINSE LOWER CL.3 LEITUNG, NACHSPÜLEN UNTEN KL.3 TUYAU CONDUITE RINC.INF. CL.3	
14	143173	GIUNZIONE RISC.PLAST.35/40/50 JOINT, RINSE PLAST.35/40/50 VERBIND., NACHSPÜLEN KUNST.35/40/50 JOINT RINC.PLAST.35/40/50	
15	143004	TUBO PRESS.TP 10X17 (CASER/15NL C4N) PIPE, PRESSURE SWITCH TP 10X17 (CASER/15NL C4N) ROHR, DRUCKSCHALTER TP 10X17 (CASER/15NL C4N) TUYAU PRESS.TP 10X17 (CASER/15NL C4N)	
16	127071	MANICOTTO POMPA MANDATA X BOILER APERTO SLEEVE, PUMP DELIVERY FOR OPEN BOILER MUFFE, ZUFUHRPUMPE FÜR BOILER AUF MANCHON POMPE REFOUL. POUR CHAUD.OUVERTE	
17	H.324077-7	TUBO GOMMA SAGOMATO (FEW) TUBE ROHR TUYAU	

18	127076	MANICOTTO INGRESSO BOILER X5 CRP BOOSTER HEATER INLET SLEEVE X5 CRP BOILER ZUFUHRSTUTZEN X5 CRP MANCHON ENTRÉE BOUILLEUR X5 CRP	
19	143222	TUBO BLUE D10 A NORMA WRAS PIPE, BLUE D10 ACCORD. TO WRAS ROHR, BLAU D10 i.S. WRAS TUYAU BLEU D10 SELON WRAS	
20	240018	VALVOLA DI CARICO 1 VIA CRP LOADING S.VALVE 1-WAY CRP ZUFLUSSVENTIL 1-WEG CRP SOUPAPE DE CHARG. 1 VOIE CRP	
21	437041	GUARNIZIONE 3/4 GAS CARICO GASKET 3/4 GAS LOAD DICHTUNG 3/4 GASVERSORG. JOINT 3/4 GAZ VID.	
22	143170	TUBO CARICO 60.10.02.15 DVGW PIPE, LOAD 60.10.02.15 DVGW ROHR, EINLASS 60.10.02.15 DVGW TUYAU CHARG. 60.10.02.15 DVGW	
23	224004	PRESSOSTATO - 35/17 PRESSURE SWITCH - 35/17 DRUCKSCHALTER - 35/17 PRESSOSTAT - 35/17	
24	143235	TUBO 4x7 SILICONE TRASPARENTE CRP PIPE 4x7 SILICONE, TRANSP. CRP ROHR 4x7 SILICON, DURCHSICHT. CRP TUYAU 4x7 SILICONE TRANSPARENT CRP	
25	H.324867	MANICOTTO POMPA SCARICO DRAIN PUMP SLEEVE ABSAGUNGSMUFFE MANCHON POMPE DE VIDANGE	
26	130148	POMPA ZFCI121 DX 240W 230/50-1 PUMP ZFCI121 RH 240W 230/50-1 PUMPE ZFCI121 RECHTS 240W 230/50-1 POMPE ZFCI121 DROITE 240W 230/50-1	

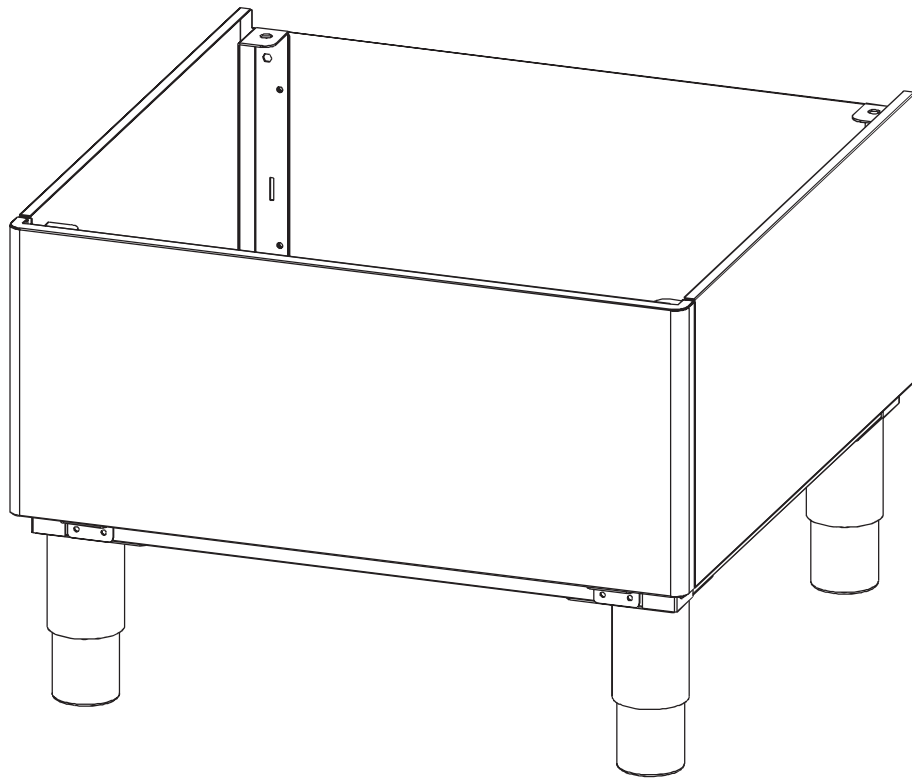
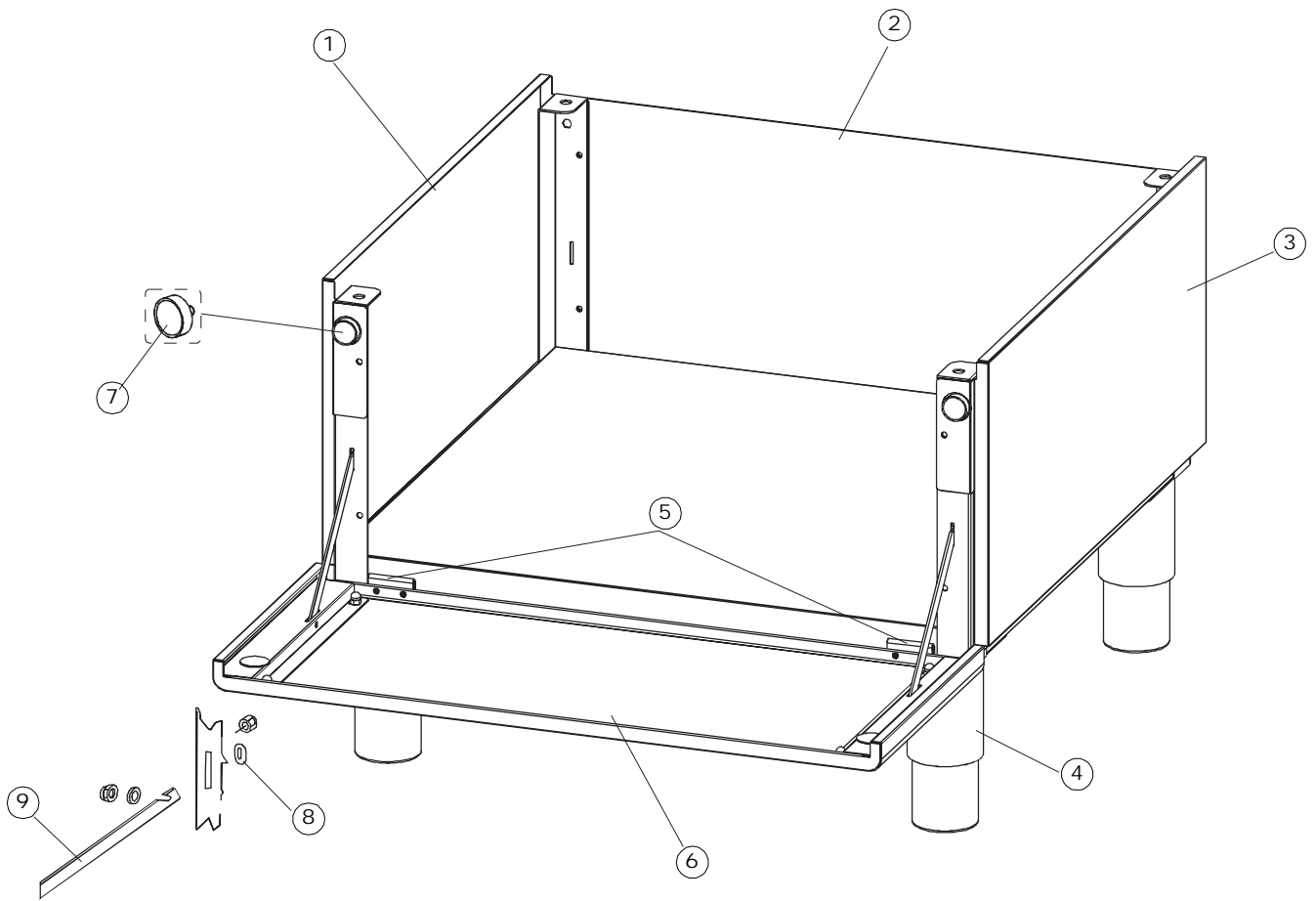
6



Pagina 6

1	130987	GRUPPO POMPA RV54 + COLLETT.ASP.810W PUMP ASSEMBLY PUMPEN MOTOPOMPE + COLLECTEUR	
2	206004	CONDENSATORE DA 16 mF CONDENSER - 16 mF KONDENSATOR - 16 mF CONDENSATEUR DE 16 mF	
3	314001	CUSCINETTO 6201/2Z BEARING 6201/2Z LAGER 6201/2Z PALIER 6201/2Z	
4	315027	FLANGIA POMPA X5 FLANGE, PUMP X5 FLANSCH, PUMPE X5 BRIDE POMPE X5	
5	141007	TENUTA MECC.D.26x13x5,5 BR. SEAL, MECH..D.26x13x5,5 BR. DICHTUNG, MECH.D.26x13x5,5 BR. JOINT MECAN.D.26x13x5,5 BR.	
6	124052	GIRANTE POMPA X5 PUMP IMPELLER X5 LAUFRAD, PUMPE X5 ROUE POMPE X5	
7	456067	OR 3475 MOTORE O-ring 3475 MOTO-ring O-Ring 3475 MOTOR OR 3475 MOTEUR	
8	437089	GUARNIZ.GOMMA STAFFA POMPA X5 GASKET, RUBBER, PUMP BRACKET X5 DICHTUNG, GUMMI, PUMPENBÜGEL X5 JOINT CAOUTCHOUC ETRIER POMPE X5	
9	111034	COLLETTORE ASP.+ CALOTTA RV54 MAINFOLD ZULAULEITUNG COLLECTEUR	

7



OPTIONAL

Pagina 7

1	021099	FIANCO CORTO SX.ZOCC.SUPL.RIVER SIDE, SHORT LH FOR SOCLE RIVER SEITE, KURZ LINKS FÜR RIVER-SOCKEL COTE, COURT GAUCHE POUR SOCLE RIVER	
2	022141	PANNELLO RETRO ZOCCOLO SUPPL.X5 PANEL, REAR ADD.SOCLE X5 PLATTE, RÜCKS. ZUS.SOCKEL X5 PANNELLO ARRIERE SOCLE SUPPL.X5	
3	021098	FIANCO CORTO DX.ZOCC.SUPL.RIVER SIDE, SHORT RH FOR SOCLE RIVER SEITE, KURZ RECHTS FÜR RIVER-SOCKEL COTE, COURT DROITE POUR SOCLE RIVER	
4	926117	PIEDE REGOLABILE X CAPOTT.3LINEA FOOT, ADJUST. X CAPOTT.3LINE VERSTELLFUSS X HAUB.3LEIT. PIED REGLABLE POUR CAPOT.3LIGNE	
5	311023	CERNIERA ZOCCOLO SUPPL.INOX HINGE, SOCLE INOX SCHARNIER, SOCKEL INOX CHARNIERE SOCLE INOX	
6	029413	PORTA COMPLETA RIVER ZH.SUPL. COMPLETE DOOR EB ZH. TUER KOMPLETT EB ZH. PORTE COMPLETE RIVER ZH.SUPL.	
7	310002	CALAMITA ZOCCOLO INOX MAGNET, SOCLE INOX MAGNET, SOCKEL INOX AIMANT SOCLE INOX	
8	028078	PIASTR. BATTUTA PORTA 40/403 PLATE, DOOR LEDGE 40/403 PLATTE, TÜRANSCHLAG 40/403 PLAQUE FEUILLURE PORTE 40/403	
9	304016	ASTA TIRANTE PORTA 40 ROD, DOOR TIE-ROD 40 STANGE, TÜRZUGSTAB 40 BARRE TIRANT PORTE 40	