

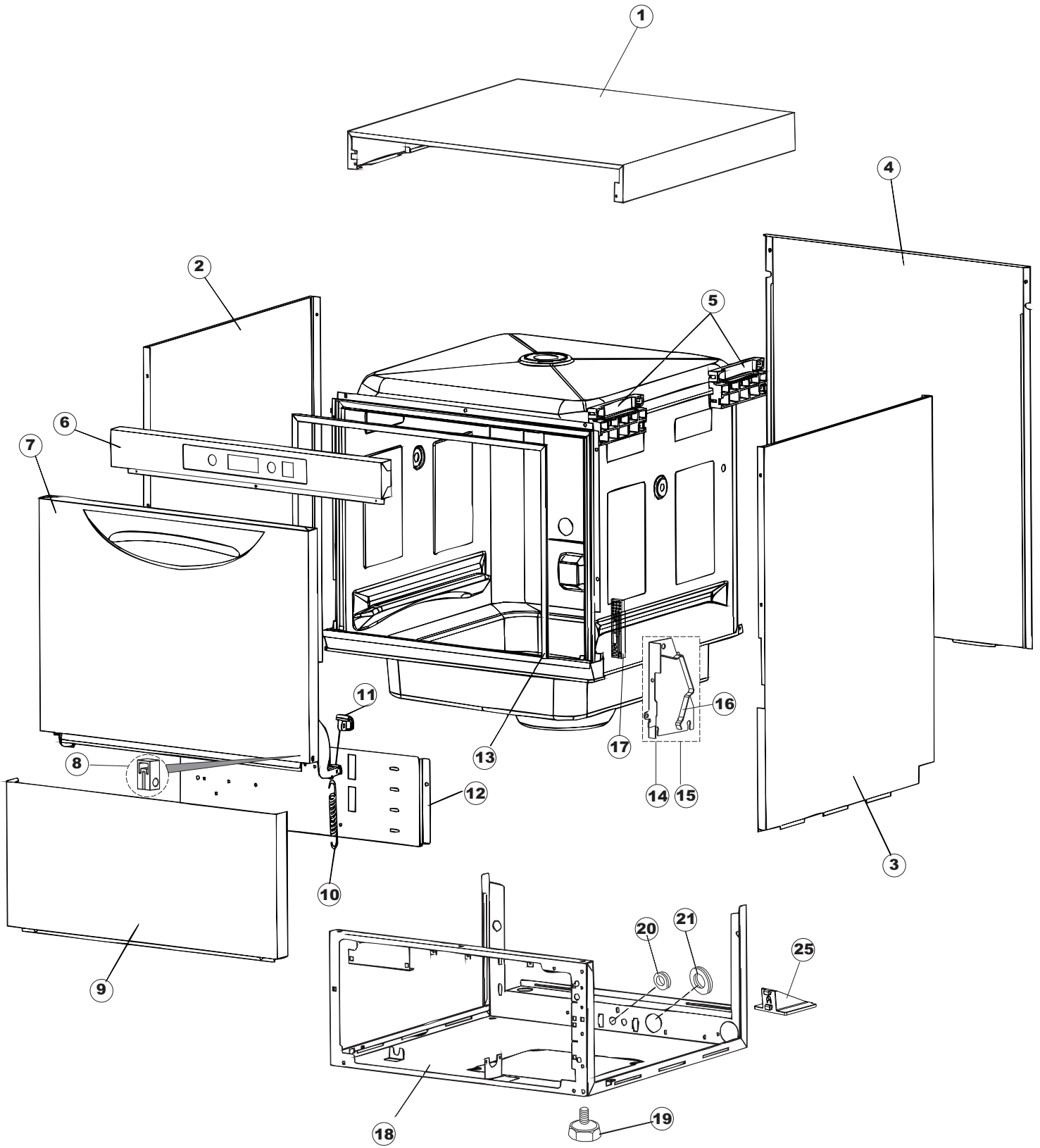
ELETTROBAR

**SPARE PARTS CATALOGUE
ERSATZTEILKATALOG
CATALOGUE PIECES DETACHEES
CATALOGO PARTI RICAMBIO
CATALOGO DE PIEZAS DE RECAMBIO
CATALOGO PEÇAS DE REPOSIÇÃO**

R i v e r
362C-362T

03-09-2012

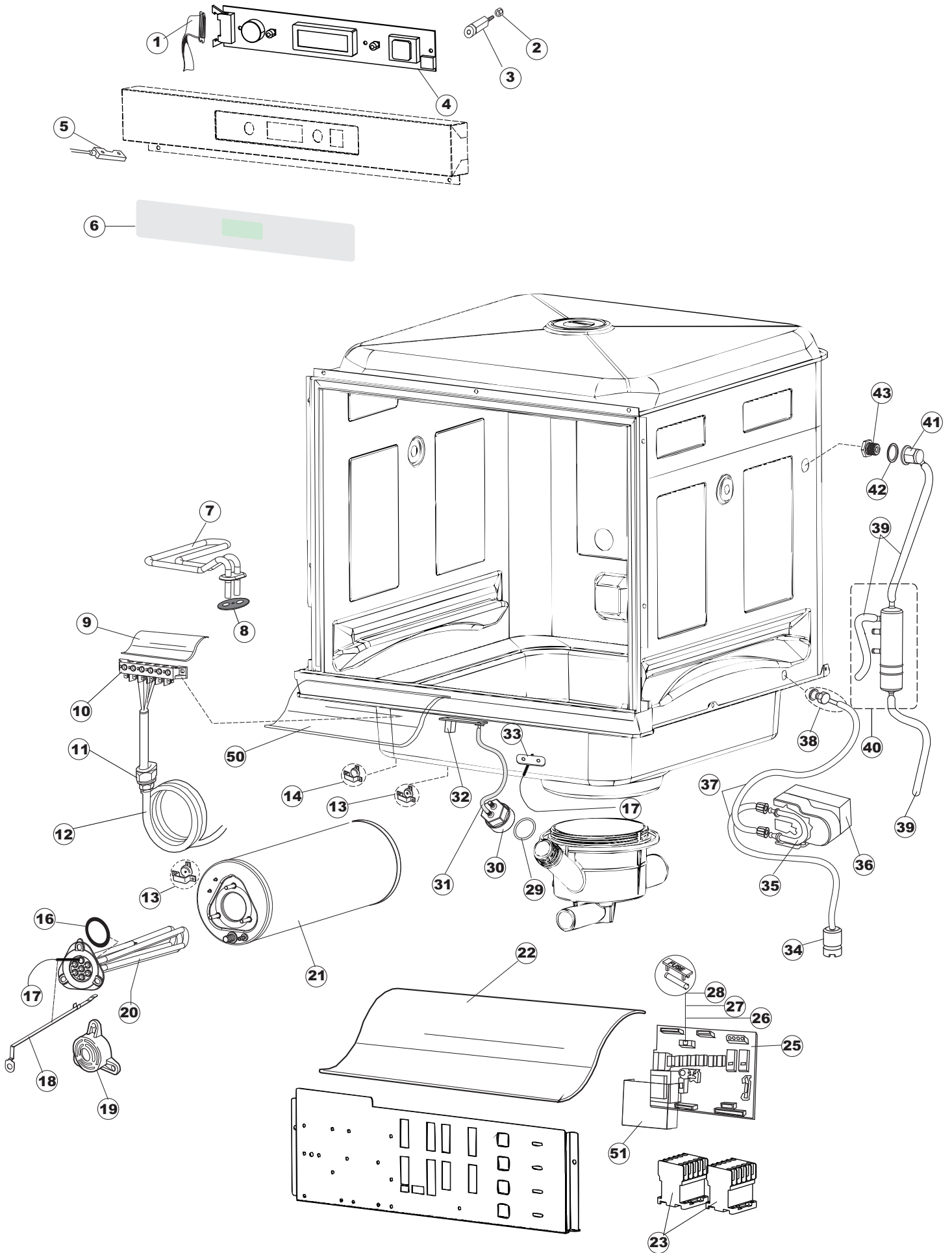
1



Pagina 1

1	004175	CAPPELLO LA50 COVER LA50 GEHAEUSEOBERTEIL LA50 CAPOT SUPERIEUR LA50 CAPERUZA LA50	
2	021116	FIANCO SX. SIDE PANEL LEFT SEITENWAND LINKS FLASQUE LATERALE GAUCHE LA50 LATERAL IZQDA. LA50	
3	021115	FIANCO DX.LA50 SIDE PANEL RIGHT SEITENWAND RECHTS.LA50 FLASQUE LATERALE DROITE LA50 LATERAL DCHA. LA50	
4	022146	PANNELLO POSTERIORE LA50 REAR PANEL LA50 RUECKWAND LA50 PANNEAU ARRIERE PANEL TRASERO LA50	
5	035083	STAFFA FISSA FIANCHI-CAPPELLO LA50 BRACKET LA50 BUEGEL LA50 ÉTRIER LA50 SOPORTE FIJO LATERALES-CAPERUZA LA50	
6	026303	PANN.COMANDI PROTECH 26-20	
7	029510	PORTA LA50 EB LAVAPIATTI CPL COMPLETE DOOR LA50 TUER KOMPLETT LA50 PORTE COMPLETE LA50 PUERTA LA50 EB LAVAPLATOS CPL	
8	310013	BLOCCHETTO CENTRAGGIO CERN-PERNO LA50 HINGE-PIVOT CENTERING BLOCK LA50 ZENTRIERBLOCK SCHARN-BOLZEN LA50 BLOC DE CENTRAGE CHARN-AXE LA50 BLOQUE CENTRADO BISAGRA-PERNO LA50	
9	012318	FRONTALINO LA50 FRONT PANEL LA50 FRONTBLENDE LA50 PANNEAU AVANT LA50 PANEL FRONTAL LA50	
10	449063	MOLLA BILANCIAMENTO PORTA LA50 SPRING FEDER RESSORT MUELLE EQUILIBRADO PUERTA LA50(NUEVA)	
11	307014	BATTUTA X MOLLA BILANC.E CHIUSURA STOP FOR BALANCE AND CLOSING SPRING ANSCHLAG X AUSGL. UND SCHLISSFEDER BUTÉE P/RESSORT ÉQUIL.ET FERMETURE TOPE X MUELLE EQUILIB. Y CIERRE	
12	035081	STAFFA COMP.ELETTRICI LA50 BRACKET BEF.WINKEL EQUERRE SOPORTE COMP.ELECTRICOS LA50	
13	437103	GUARNIZIONE PORTA DOOR GASKET TUERDICHTUNG JOINT PORTE JUNTA PUERTA LA50	
14	999259	GRUPPO STAFFA + MOLLA SAGOM. DX PORTA BRACKET + SPRING GRUPO SOP.+MUELLE EQUILIBRADO PUERTA	
15	999260	GRUPPO STAFFA + MOLLA SAGOM. DX PORTA BRACKET + SPRING GRUPO SOP.+MUELLE PERFIL. IZQDA. PUERTA LA50	

16	449058	MOLLA SAGOMATA APERTURA/CHIUS.PORTA LA50 SPRING FEDER RESSORT MUELLE PERFILADO APERT./CIERRE PUERTA LA50	
17	307015	BATTUTA ASTA PORTA LA50 DOOR ROD STOP LA50 BUEGELLAGER F. TUERSTANGE LA50 BUTÉE TIGE DE PORTE LA50 TOPE VARA PUERTA LA50	
18	040119	ZOCCOLO SOCKEL BASE LA50 ENSAMBLADA (REPUESTO)	
19	461019	PIEDINO REGOLABILE D30 M8 FOOT, ADJUST. D30 M8 VERSTELLFUSS D30 M8 PIED REGLABLE D30 M8 PATA REGULABLE D30 M8	
20	459006	PASSACAVO Di9/De16 22 FAIRLEAD, Di9/De16 22 KABELDURCHGANG, Di9/De16 22 PASSE-CABLE Di9/De16 22 PASA-CABLE Di9/De16 22	
21	459004	PASSATUBO GOMMA DI.34 PIPEHOLDER, RUBBER DI.34 ROHRDURCHGANG, GUMMI DI.34 SUPPORT-TUYAU CAOUTCHOUC DI.34 PASA-TUBO GOMA DE. 34	
25	480151	TAPPO ANTINTRUSIONE PLUG VERSCHLUSS BOUCHON TAPON ANTI-INTRUSION	

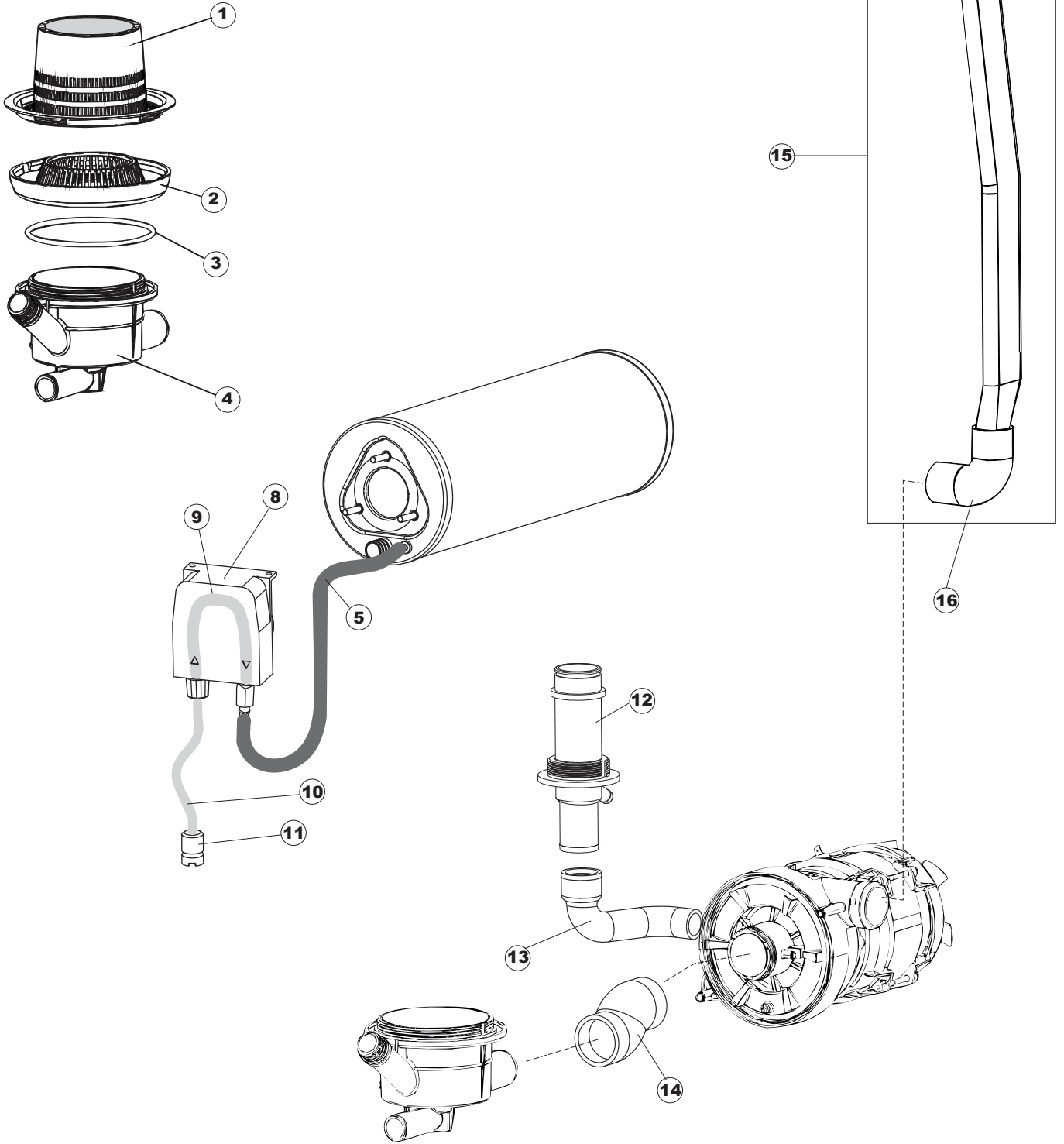


Pagina 2

1	211013	CAVO FLAT 10 VIE X PULS.SOFT TOUCH GET 5 FLAT WIRE FLACHKABEL CABLE CABLE FLAT GET50 LA50	
2	417119	DADO M3 PLASTICA BIANCO NUT, M3 PLASTIC WHITE SCHRAUBENMUTTER, M3 KUNST. WEISS ECROU M3 PLASTIQUE BLANC TUERCA M3 PLASTICO BLANCO	
3	419036	SPACER SPACER, M3 ABSTANDSSTÜCK, M3 ENTRETOISE M3 DISTANCIADOR M3	
4	80943	TASTIERA CONTROL KEYBOARD BEDINGUNGEN-TESTENBRETT TABLEAU TECLADO DE MANDOS	
5	80871	MICRO MAGNETICO MAGNETIC DOOR SWITCH TUERKONTAKTSCHALTER CONTACTE MAGNETIQUE CONTACTO MAGNETICO	
6	70705	POLIESTERE 342-362 POLYESTERE CONTROL PANEL FRONTBLLENDE PANNEAU AVANT POLIESTER	
7	230118	RESISTENZA V.2100W-230V.LA50 LAVAB. HEATING ELEMENT 2100W-230V LA50 ELEKTRISCHER WIDERSTAND 2100W-230V LA50 RÉSISTANCE 2100W-230V LA50 RESISTENCIA.V.2100W-230V.LA50 LAVAB.	
8	437086	GUARNIZIONE RESISTENZA VASCA GASKET, TANK RESISTANCE DICHTUNG, TANKWIDERSTAND JOINT RESISTANCE CUVE JUNTA RESISTENCIA CUBETA	
9	214088	PROTEZ.ELETTR.TRASP.CL.3 EL.PROTECTION,TRANSP.CL.3 EL.SCHUTZ,TRANSP.KL.3 PROTECT.ELECTR.TRANSP.CL.3 PROTECCION ELECTR. TRANSP. CL. 3	
10	220011	* MORSETTIERA 5.POLI + TERRA FV.122 * TERMINAL BOARD, 5-POLES + EARTH FV.122 * KLEMMENBRETT, 5-POLIG + ERDUNG FV.122 * PLAQUE A BORNE 5POLES + TERRE FV.122 * BORNERO 5. POLOS + TIERRA FV. 122	
11	459005	FISSACAVO STEAB art.5024 CABLE CLAMPS, STEAB art.5024 KABELKLIPPS, STEAB Art.5024 FIXE-CABLE STEAB art.5024 SUJETA-CABLE STEAB art. 5024	
12	H.374339-2	CAVO MACCHINA H07RN-F 5X2.5X3.0MT CABLE H07RN-F 5X2.5X3.0MT MASCHINE KABERL H07RN-F 5X2.5X3.0MT CABLE MACHINE H07RN-F 5X2.5X3.0MT * CABLE MAQUINA H07RN-F 5X2.5X3.0MT	
13	236047	TERM.CONTATTO /S.95ø+/-3ø THERM.,CONT. /S.95ø+/-3ø SICHERHEITSTHERMOSTAT THERM.CONTACT /S.95ø+/-3ø TERM.CONTACTO /S.95°+/-3° SIC.	
14	236052	TERM.CONTATTO BOILER/L.90ø+/-3ø(2611576) THERM.,CONT. BOILER/L.90ø+/-3ø(2611576) THERM.,KONT. BOILER/L.90ø+/-3ø(2611576) THERM.CONTACT CHAUDIERE/L.90ø+/-3ø(2611576) TERM.CONTACTO CALENT./L.90°+/-3°(2611576)	
16	456002	OR 48x6,2 O-ring 48x6,2 O-Ring 48x6,2 OR 48x6,2 OR 48x6,2	

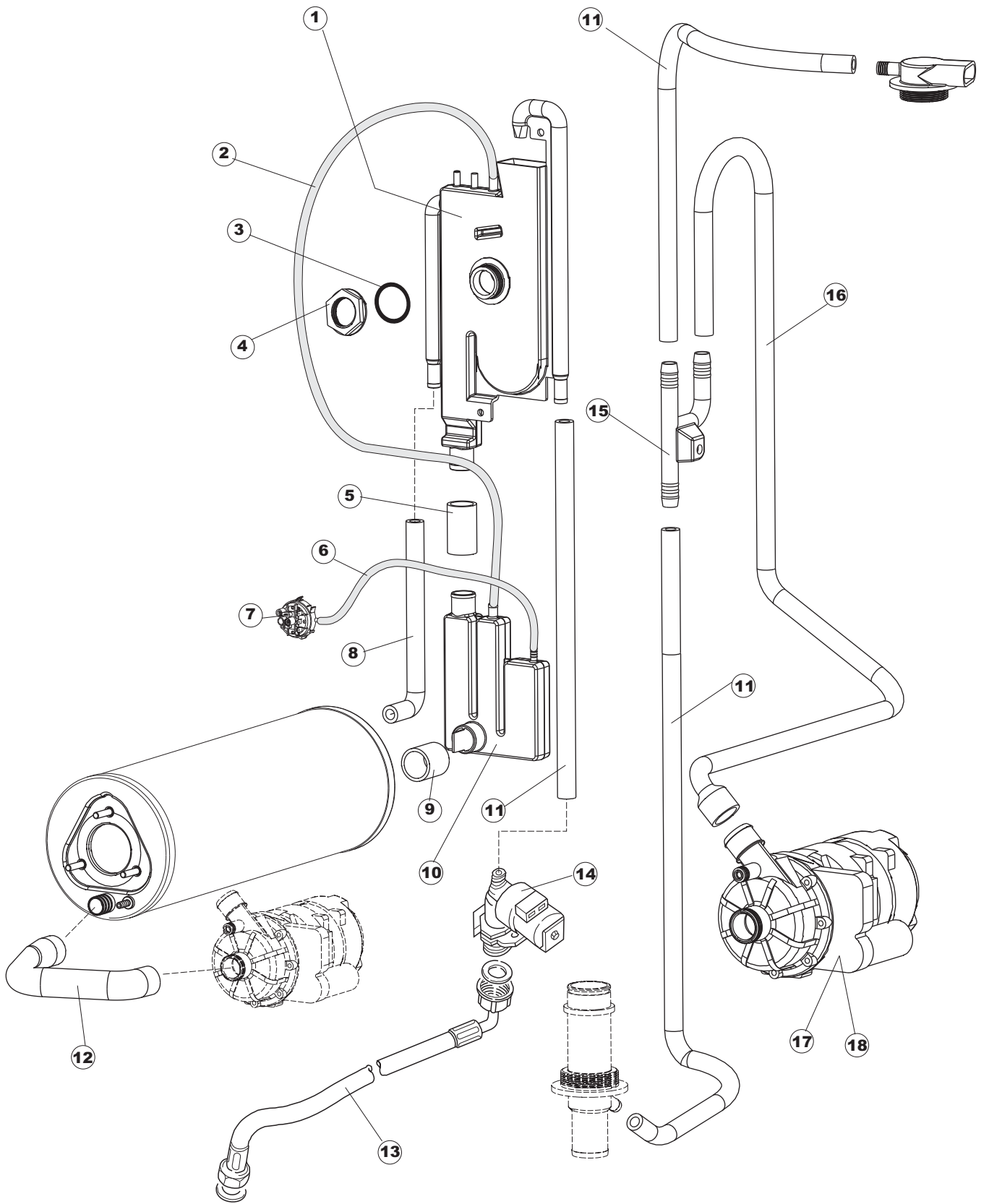
17	231016	SONDA TEMPERATURA TEMP. PROBE KUGEL SONDE SONDA TEMPERATURA (AMPOLLA ACERO)	
18	69871	PORTASONDA PROBE HOLDER SONDENHALTER PORTE-SONDE PORTASONDA	
19	69870	PROTEZIONE RESISTENZA BOILER BOILER HEATING ELEMENT PROTECTION HEIZUNGSSCHUETZ DES WARMWASSERBEREITERS PROTECTION RESISTANCE BOILER PROTECCION RESISTENCIA CALENTADOR	
20	230117	RESISTENZA BOILER 7600W/400V HEATING ELEMENT 7600W/400V HEIZUNG 7600W/400V RESISTANCE 7600W/400V RESISTENCIA CALENTADOR 7600W/400V(LA50)	
21	104061	BOILER CRP LA50 BOILER CRP BOILER CRP SURCHAUFFEUR CRP CALENTADOR CRP LA50	
22	214108	PROTEZIONE TRASPARENTE PER IMPIANTO ELETTRICO PER I TRANSPARENT PROTECTION FOR ELECTRIC INSTALLATION F DURCHSICHTIGER SCHUETZ FUER ELEKTRISCHE ANLAGE DE PROTECTION TRANSPARENTE POUR INSTALLA- TION ELECTR PROTECC.EL.TELA TRANSP.485X300XSP0.13	
23	229042	CONTATTORE 230V 50-60HZ	
25	215032-4	SCHEDA ELETTRONICA MAIN BOARD KARTE CARTE ELECTRONIQUE TARJETA GET50	
26	228012	FUSIBILE 5X20 T160MA FUSE SICHERUNG FUSIBLE FUSIBLE 5X20 T160MA	
27	228011	FUSIBILE 5X20 T2A FUSE SICHERUNG FUSIBLE FUSIBLE 5X20 T2A	
28	228004	FUSIBILE 5X20 4A FAST FUSE, 5X20 4A FAST SICHERUNG, 5X20 4A FAST FUSIBLE 5X20 4A FAST FUSIBLE 5X20 4A FAST	
29	456073	OR(50825)CAMPANA PRESS.LA50 O-RING O-RING O-RING OR(50825)CAMPANA PRES.LA50	
30	107013	CAMPANA PRESSOSTATO PRESSURE SWITCH AIR BELL LUFT-GLOCKE DES DRUCKSCHALTERS CLOCHE PRESSOSTAT CAMPANA PRESOSTATO LA50	
31	143253	TUBO SILICONE 3X8 SILICON PIPE 3X8 SILIKONSCHLAUCH 3X8 TUYAU SILICONE 3X8 TUBO SILICONA 3X8	
32	224018	PRESSOSTATO ANALOGICO(SCHEDINA)LA50 PRESSURE SWITCH LA50 DRUCKWAECHTER LA50 ELEKTRONISCH PRESSOSTAT LA50 PRESOSTATO ANALOGICO(TARJETA)LA50(ADG)	

33	028105	PIASTRINA FERMA SONDA FIXING PLATE PLATCHEN PLAQUETTE FISSAGE PLANCHITA PARADA SONDA	
34	121993	GRUPPO FILTRO DOSATORE FILTER GROUP FILTERANORDNUNG ENSEMBLE DE FILTRE ASAMBLEA DEL FILTRO	
35	143258	TUBETTO 6X10 TUBE 6X10 MEMBRANSCHLAUCH SANTOPREN TUBE 6X10 TUBITO SANTOPRENE 6X10 EMPALMES+VIROLAS	
36	999296	GRUPPO DOSATORE DETERG.(209028) GRUPO DOSIFICADOR DETERG.(209028)	
37	143194	TUBO 4x6 CRISTAL TRASPARENTE PIPE 4x6 CRISTAL, TRANSP. SCHLAUCH 4X6 CRISTAL, DURCHS. TUYAU 4x6 CRISTAL TRANSPARENT TUBO 4x6 CRISTAL TRASPARENTE	
38	468151	RACCORDO ENTRATA SAPONE CPL NM * SALDATO UNION, EXTRA DET. CPL NM * WELDED TANKEINLAUF CPL NM* RACCORD ENTREE SAVON CPL NM * SOUDE EMPALME ENTRADA JABON CPL NM * SOLDADO	
39	H.165178	TUBO PVC 5X8 CRUSTAL TRASPARENTE PVC PIPE PVC SCHLAUCH TUYAU PVC TUBO P V C 5X8 CRISTAL TRANSPARENT	
40	999316	GRUPPO SOFT-START LA50	
41	468029	RACCORDO CAMPANA PRESSOSTATO UNION, PRESSURE SWITCH BELL VERBINDUNGSSTK. TANKEINLAUF RACCORD BOITE PRESSOSTAT EMPALME CAMPANA PRESOSTATO	
42	456020	OR 3050 R495 O-ring 3050 R495 O-Ring 3050 R495 OR 3050 R495 OR 3050 R495	
43	429076	GHIERA VALVOLA SFIATO PS LA50 VENT VALVE RING ENTLÜFTUNGSVENTIL RING ANNEAU DE LA VALVE ÉVENT VIROLA VALVULA ALIVIAD. PS LA50	
50	214109	PROTEZIONE TRASPARENTE PER IMPIANTO ELETTRICO PER I TRANSPARENT PROTECTION FOR ELECTRIC INSTALLATION F DURCHSICHTIGER SCHUETZ FUER ELEKTRISCHE ANLAGE DE PROTECTION TRANSPARENTE POUR INSTALLA- TION ELECTR PROTEZ.EL.TELA TRASP.555X220XSP0.13	
51	214110	PROTEZIONE SCHEDE ELETTRONICA LA50 PLASTIC PROTECTION KARTE SICHERHEIT PROTECTION PLASTIQUE PROTECCION TARJETA ELECTRONICA LA50	



Pagina 3

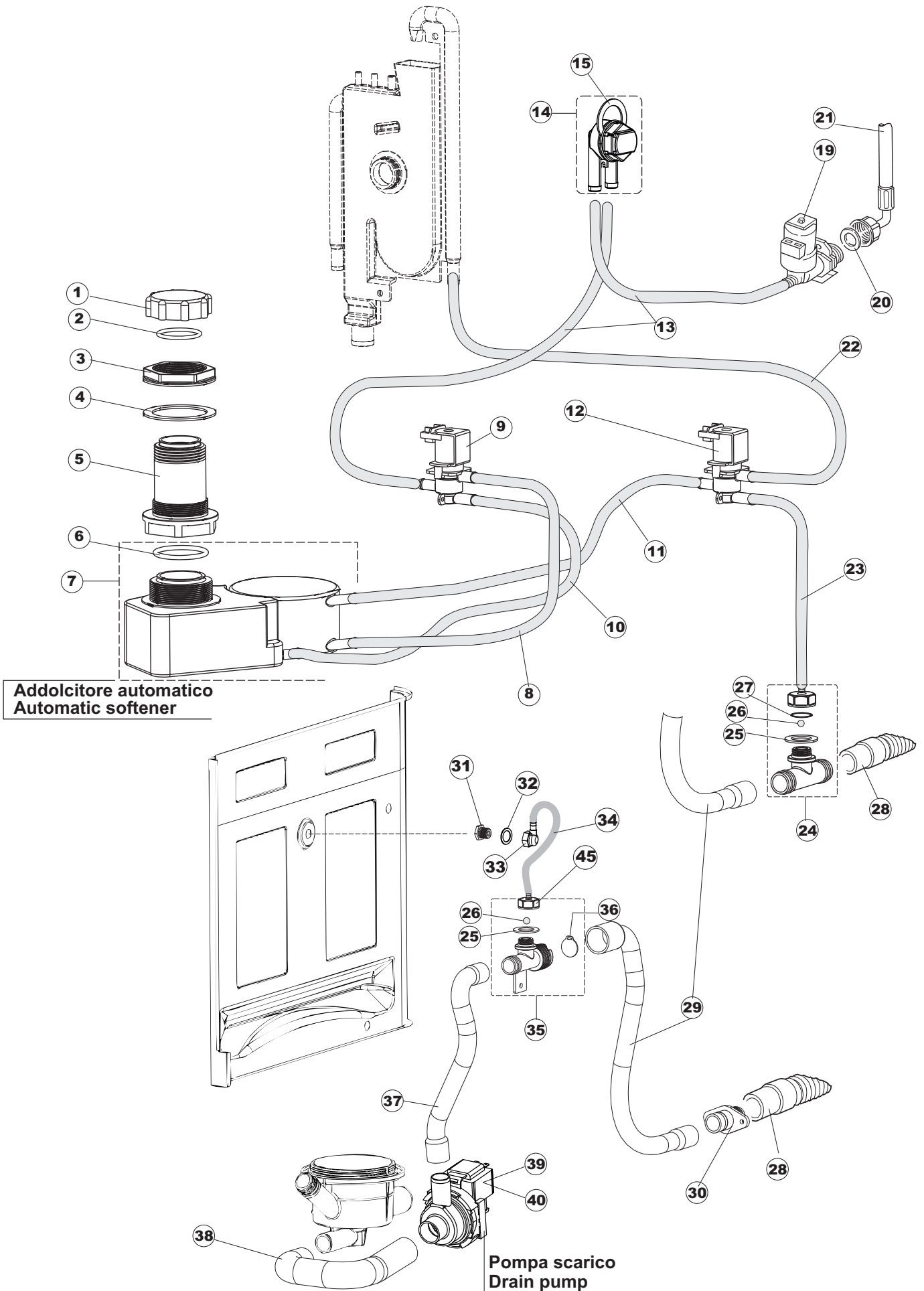
1	121135	GRUPPO FILTRO RIVER-TOPTECH CRP-SP FILTER ASSEMBLY RIVER-TOPTECH CRP-SP FILTERGRUPPE RIVER-TOPTECH CRP-SP GROUPE FILTRE RIVER-TOPTECH CRP-SP GRUPO FILTRO RIVER-TOPTECH CRP-SP	
2	429072	GHIERA CORPO ASPIR./SCARICO LA50 GEWINDERING ZWINGE VIROLE VIROLA CUERPO ASPIR./DESCARGA LA50	
3	456076	OR.D.I.135.9X5.33 ART.53125 OR.D.I.135.9X5.33 ART.53125 TORISCHE DICHTUNG D.I.135.9X5.33 JOINT TORIQUE D.I.135.9X5.33 OR.D.I.135.9X5.33 ART.53125	
4	136028	CORPO ASPIR./SCARICO LA50 ASPIRATION AND DRAIN BODY LA50 ABSAUG-UND ABFLUSSKOERPER LA50 CORPS D'ASPIRATION/VIDANGE LA50 CUERPO ASPIR./DESCARGA LA50	
5	143005	TUBO PRESS.TP 5x11 (CASER/15/NL C4N) PIPE, PRESSURE SWITCH TP 5x11 (CASER/15/NL C4N) SCHLAUCH TP 5X11 (CASER/15/NL C4N) TUYAU PRESS.TP 5x11 (CASER/15/NL C4N) TUBO PRES. TP 5x11 (CASER/15/NL C4N)	
8	999309	GRUPPO DOSATORE BRILL.(209033) GRUPO DOSIFICADOR ABRILL.(209033)	
9	143261	TUBETTO SIL.5X10 MP2NERO+V.I(RR.005.119) TUBE 5X10 MEMBRANSCHLAUCH TUBE 5X10 TUBITO SILICONA 6X10 EMPALMES+VIROLAS	
10	H.775601	TUBO 4x6 CRISTAL BLUE PVC PIPE 4x6 CRISTAL BLUE PVC ROHR 4x6 CRISTAL BLAU PVC TUYAU 4x6 CRISTAL BLEU PVC TUBO 4x6 CRISTAL AZUL PVC	
11	121993	GRUPPO FILTRO DOSATORE FILTER GROUP FILTERANORDNUNG ENSEMBLE DE FILTRE ASAMBLEA DEL FILTRO	
12	115143	CONDOTTO CENTRALE INF.LA50 TAPPO DOS. UPPER CENTRAL PIPE LA50 ZENTRALLEITUNG OBEN LA50 CONDUIT CENTRAL INFERIEUR LA50 CONDUCTO CENTRAL INF.LA50 TAPON DOSIF.	
13	127085	MANICOTTO MANDATA INF.LA50 PUMP INTAKE COUPLING LA50 SAUGMUFFE PUMPE LA50 MANCHON ASPIRATION POMPE LA50 MANGUITO IMPULSION INF.LA50	
14	127082	MANICOTTO ASPIRAZIONE MANCHON REFOULEMENT RINÇAGE NACHSPUEL-FOERDERUNGSBOGEN RINSE DELIVERY ELBOW MANGUITO ASPIRACION	
15	115140	CONDOTTA.LAV.SALD.LA50 WELDED PLASTIC PIPE LA50 VEREINTE WASCHELEITUNG LA50 DURITE CONDUCTO.LAV.SOLD.LA50	
16	127084	MANICOTTO MANDATA SUP.LA50 UPPER DELIVERY COUPLING OBERE DRUCKMUFFE MANCHON DE REFOULEMENT MANGUITO IMPULSION SUP.LA50	



Pagina 4

1	144021	AIRGAP SPECIALE LA50 PLASTIC AIRGAP AIR GAP GEOFFNETER BEHAELTER AIRGAP SPECIAL LA50 AIRGAP ESPECIAL LA50	
2	H.165168	TUBO PVC 6X9 CRISTAL TRASP. RAUCLAIR PVC PIPE PVC SCHLAUCH TUYAU PVC * TUBO PVC 6X9 CRISTAL TRANSPARENTE	
3	437104	GUARNIZIONE D45D33S2 EPDM 70SH RUBBER GASKET DICHTUNG JOINT JUNTA D45D33S2 EPDM 70SH	
4	417125	DADO IN PLAST.CON COLLARE(171571) NUT MUTTER ECROU TUERCA DE PLAST.CON COLLAR(171571)	
5	127096	MANICOTTO BREAK TANK->SISTEMA CRP LA50 BREAK TANK MANIFOLD MUFFE MANGUITO BREAK TANK->SISTEMA CRP LA50	
6	143235	TUBO 4x7 SILICONE TRASPARENTE CRP PIPE 4x7 SILICONE, TRANSP. CRP SCHLAUCH 4X7 SILIKON DURCHS. CRP TUBO 4x7 SILICONA TRASPARENTE CRP	
7	224024	PRESSOSTATO 35/22 PRESSURE SWITCH 35/22 DRUCKWAECHTER 35/22 PRESSOSTAT 35/22 PRESOSTATO - 35/22 CRP LA50	
8	127098	MANICOTTO SFIATO BOILER CRP->BT COUPLING LA50 MUFFE LA50 MANCHON LA50 MANGUITO ALVIAD. CALENTADOR CRP->BT LA50	
9	127095	MANICOTTO BOILER->SISTEMA CRP MANIFOLD MUFFE MANGUITO CALENTADOR->SISTEMA CRP	
10	144032	SISTEMA CARICAMENTO CRP CON CAMP.PRESS. PLASTIC AIRGAP AIR GAP GEOFFNETER BEHAELTER SISTEMA CARGA CRP	
11	143004	TUBO PRESS.TP 10X17 (CASER/15NL C4N) PIPE, PRESSURE SWITCH TP 10X17 (CASER/15NL C4N) ROHR, DRUCKSCHALTER TP 10X17 (CASER/15NL C4N) TUYAU PRESS.TP 10X17 (CASER/15NL C4N) TUBO PRES. TP 10X17 (CASER/15NL C4N)	
12	69068	MANICOTTO ASPIRAZ.CRP LA50 INTAKE COUPLING LA50 SAUGMUFFE LA50 MANCHON D'ASPIRATION MANGUITO ASPIRAC.CRP LA50	
13	143170	TUBO CARICO 60.10.02.15 DVGW PIPE, LOAD 60.10.02.15 DVGW ZULAUFSCHLAUCH, WASSER 60.10.02.15 DVGW TUYAU CHARG. 60.10.02.15 DVGW TUBO CARGA 60. 10. 02. 15 DVGW	
14	240018	VALVOLA DI CARICO 1 VIA CRP LOADING S.VALVE 1-WAY CRP ZUFLUSSVENTIL 1-WEG CRP SOUPAPE DE CHARG. 1 VOIE CRP VALVULA DE CARGA 1 VIA CRP	
15	143173	GIUNZIONE RISC.PLAST.35/40/50 JOINT, RINSE PLAST.35/40/50 VERBIND., NACHSPÜLEN KUNST.35/40/50 JOINT RINC.PLAST.35/40/50 UNION ENJUAGUE PLAST. 35/40/50	

16	127097	MANICOTTO MANDATA POMPA CRP->H PUMP DELIVERY COUPLING CRP-H DRUCKMUFFE PUMPE CRP-H MANCHON DE REFOULEMENT POMPE CRP-H MANGUITO IMPULSION BOMBA CRP->H	
17	80627	ELETTROPOMPA 200W 230V-1PH-50HZ CON CONDENSATOR PUMP PUMPE POMPE ELECTROBOMBA ENJUAGUE 200W	
18	80629	ELETTROPOMPA 200W 220/240V-1PH-60HZ CON CONDENSA PUMP 60HZ PUMPE 60HZ POMPE 60HZ ELECTROBOMBA ENJUAGUE 200W 60HZ	



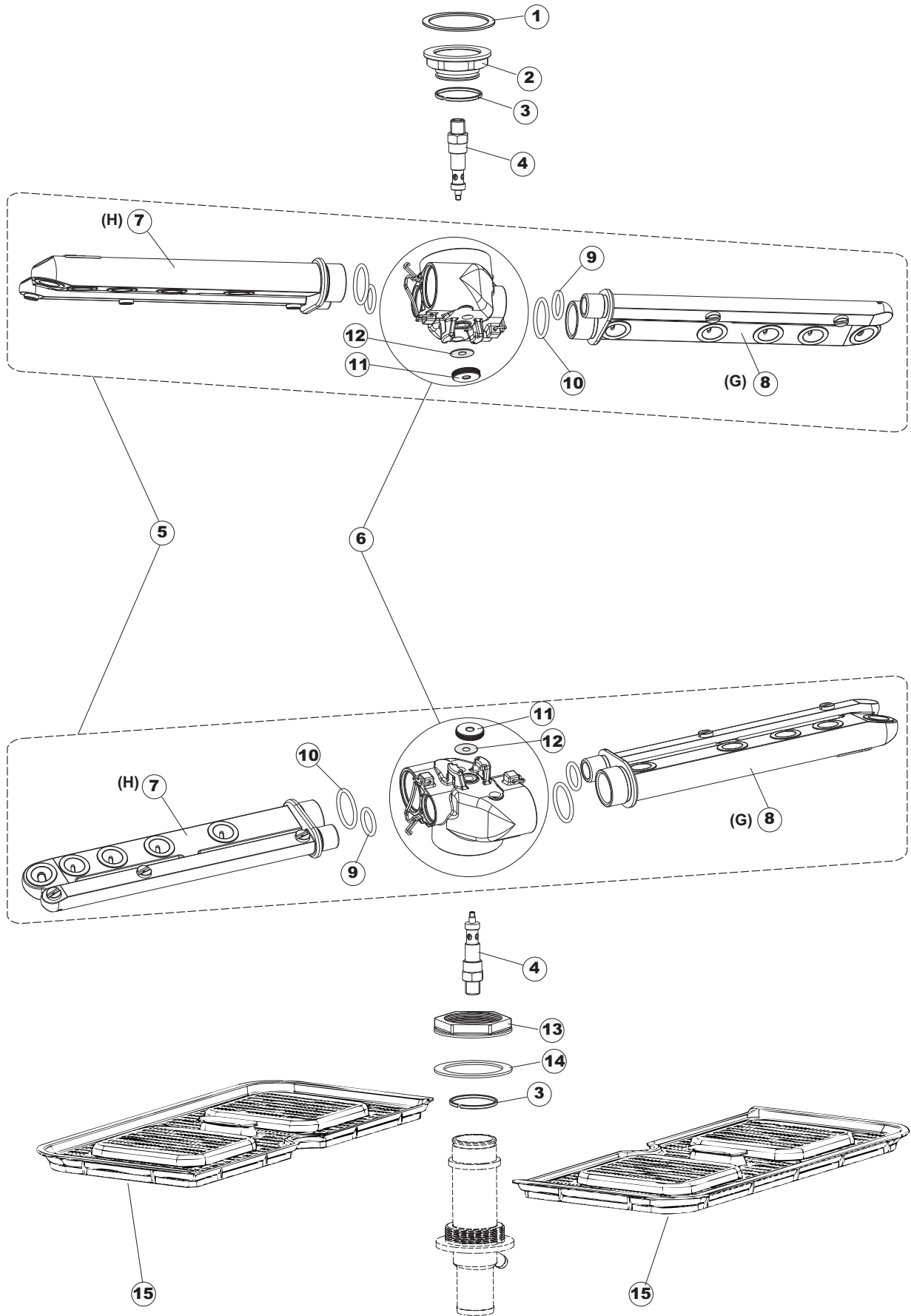
Pagina 5

1	480005	TAPPO BOCCIA SALE SALT CONTAINER SCREW CAP PFROPFEN, SALZBEHALTER BOUCHON BAC A SEL TAPON JARRA SAL	
2	456052	OR 144 O-ring 144 O-Ring 144 OR 144 OR 144	
3	429073	GHIERA FISSA CONDOTTO INF.LA50 GEWINDERING MUTTER VIROLE VIROLA FIJA CONDUCTO INF.LA50	
4	437102	GUARNIZIONE CONDOTTO INFER.LA50 GASKET DICHTUNG JOINT JUNTA CONDUCTO INFER.LA50	
5	466006	PROLUNGA DOSATORE IDRAULICO RINSE AID CONNECTION VERLANGERUNG SALZBEHAELTER LA50 RALLONGE RÉSERVOIR SEL/DÉP.LA50 ALARGADOR CONTENEDOR SAL/DEP.LA50	
6	456079	OR DECALCIFICATORE O-RING DICHTUNG O-RING JOINT O-RING OR DESCALCIFICADOR TYPE425	
7	117008	DECALCIFICATORE TYPE425+FASTON WATER SOFTNER WASSERENTKAEKLER ADOUCCISEUR DESCALCIFICADOR TYPE425+FASTON	
8	127100	MANICOTTO INGRESSO ADDOLC.ADG COUPLING LA50 MUFFE LA50 MANCHON LA50 MANGUITO ENTRADA SUAVIZ. ADG LA50	
9	999288	GRUPPO VALVOLA DEVIATRICE MAGNETVENTIL ZWEIWEGE GRUPO VALVULA DESVIAC.CON REDUCTOR	
10	127099	MANICOTTO RIGENERAZIONE COUPLING LA50 MUFFE LA50 MANCHON LA50 MANGUITO REGENERACION SUAVIZ. ADG LA50	
11	127101	MANICOTTO INGRESSO ADDOLC.ADG COUPLING LA50 MUFFE LA50 MANCHON LA50 MANGUITO SALIDA SUAVIZ. ADG LA50	
12	240020	VALVOLA 2 VIE(DEPURATORE)LA50 ADG SOLENOID VALVE - TWO WAYS MAGNETVENTIL ZWEI WEGE SOUPAPE SOLENOIDE 2 VOIES VALVULA 2 VIAS(DEPURADOR)LA50 ADG	
13	143004	TUBO PRESS.TP 10X17 (CASER/15NL C4N) PIPE, PRESSURE SWITCH TP 10X17 (CASER/15NL C4N) ROHR, DRUCKSCHALTER TP 10X17 (CASER/15NL C4N) TUYAU PRESS.TP 10X17 (CASER/15NL C4N) TUBO PRES. TP 10X17 (CASER/15NL C4N)	
14	144030	DISPOSITIVO DVGW LA500 AIR GAP TANK - NOT ASSY AIR GAP BEHAELTER - NICHT KOMPLETT RESERVOIR AIRGAP - NON COMPLET DISPOSIT. A/R.	
15	437080	GUARNIZIONE RACCORDO LAV.SUP.E.40 GASKET, UNION, UPP.WASH.E.40 DICHTUNG, VERBINDUNGSST., OB.SPÜL.E.40 JOINT RACCORD LAV.SUP.E.40 JUNTA EMPALME LAV. SUP. E. 40	

19	240021	ELETTRIVALVOLA DI CARICO - 1 VIA CRP ONE-WAY "CRP" FILL SOLENOID VALVE "CRP" WASSERZUFUHR-EINWEGMAGNETVENTIL ELECTROVANNE D'ALIMENTATION "CRP" UNE VOIE VALVULA DE CARGA 1VIA CRP(LA40)	
20	437041	GUARNIZIONE 3/4 GAS CARICO GASKET 3/4 GAS LOAD DICHTUNG 3/4 GASVERSORG. JOINT 3/4 GAZ VID. JUNTA 3/4 GAS CARGA	
21	143170	TUBO CARICO 60.10.02.15 DVGW PIPE, LOAD 60.10.02.15 DVGW ZULAUFSCHLAUCH, WASSER 60.10.02.15 DVGW TUYAU CHARG. 60.10.02.15 DVGW TUBO CARGA 60. 10. 02. 15 DVGW	
22	127103	MANICOTTO INGRESSO BT ADDOLC.ADG COUPLING LA50 MUFFE LA50 MANCHON LA50 MANGUITO ENTRADA BT SUAVIZ. ADG LA50	
23	127102	MANICOTTO DI CONNESS.A"T"DI SCARICO COUPLING LA50 MUFFE LA 50 MANCHON LA50 MANGUITO DE UNION EN "T" DE DESCARGA LA50	
24	144993	GRUPPO VALVOLA DI SFIATO DRAIN PUMP VENT VALVE CRP LUFTLOCH-VENTIL DER ABFLUSSPUMPE CRP SOUPAPE DE SOUPIRAL POMPE DE VIDANGE CRP GR.VALVULA ALIVIAD. X SUAVIZ. ADG.	
25	437083	GUARNIZIONE GOMMA D32D19.5S1.5 GASKET, RUBBER D32D19.5S1.5 DICHTUNG, GUMMI D32D19.5S1.5 JOINT CAOUTCHOUC D32D19.5S1.5 JUNTA GOMA D32D19. 5S1. 5	
26	476008	SFERA VALVOLA LA50. HOST BALL VALVE KUGELHAHN VANNE A BILLE ESFERA VALVULA.LA50.HOST.D=5/16"	
27	456015	OR 112 9.92X2.62 O-ring 112 9.92X2.62 O-Ring 112 9.92X2.62 OR 112 9.92X2.62 OR 112 9. 92X2. 62	
28	143137	TUBO SCARICO D18 TERM.LE CURVO PIPE, DRAIN D18 BENT TERM. ABLASSROHR D18 GEBOG. ENDE TUYAU VIDANGE D18 TERMINAL COURB TUBO DESCARGA D18 TERMINAL CURVO	
29	127093	MANICOTTO VALVOLA SFIATO>FLANGIA ZOCC. MANIFOLD MUFFE MANCHON MANGUITO VALVULA ALIVIAD.>BRIDA BASE	
30	468152	RACCORDO SCARICO CLEAN.3 UNION, DRAIN CLEAN.3 VERBINDUNGSST., ABLAUF CLEAN.3 RACCORD VIDANGE CLEAN.3 EMPALME DESCARGA CLEAN. 3	
31	429075	GHIERA SFIATO VALVOLA DVGW LA50 NUT GEWINDERING DOUILLE VIROLA ALIVIAD. VALVULA DVGW LA50	
32	437078	GUARNIZIONE DOSAT.E35/.RISC.SUP. GASKET, DISPENSER E35/.UPP.RINSE DICHTUNG, DOSIERER E35/.OB.NACHSPÜLEN JOINT DOSEUR E35/.RINC.SUP. JUNTA DOSIFIC. E35/. ENJUAGUE SUP.	
33	468165	PIPA RACCORDO PLASTICA 35/40/22 LUG, PLASTIC UNION 35/40/22 FITTING, KUNST. VERBINDUNGSST. 35/40/22 TUBE RACCORD PLAST.35/40/22 PIPA EMPALME PLASTICO 35/40/22	

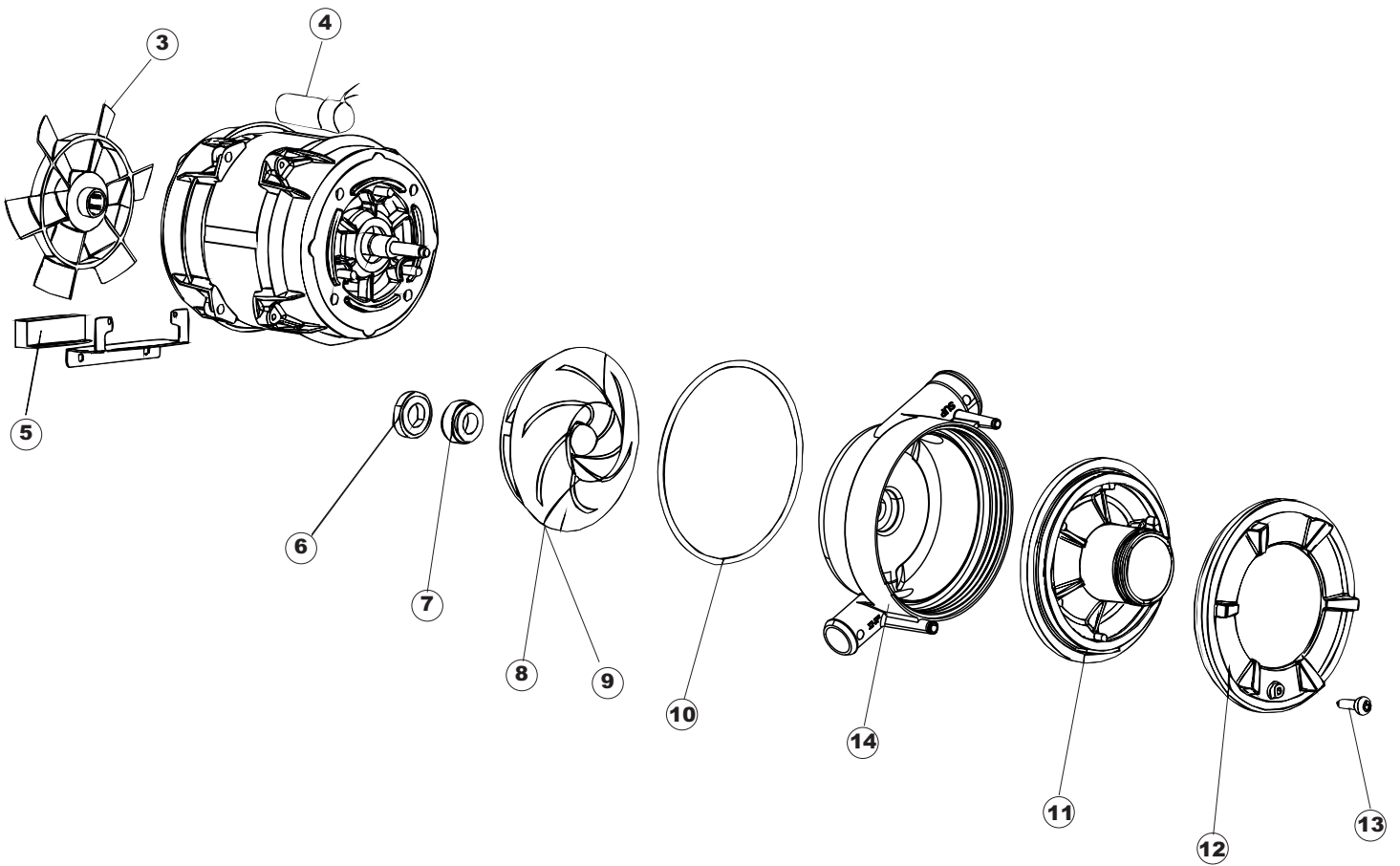
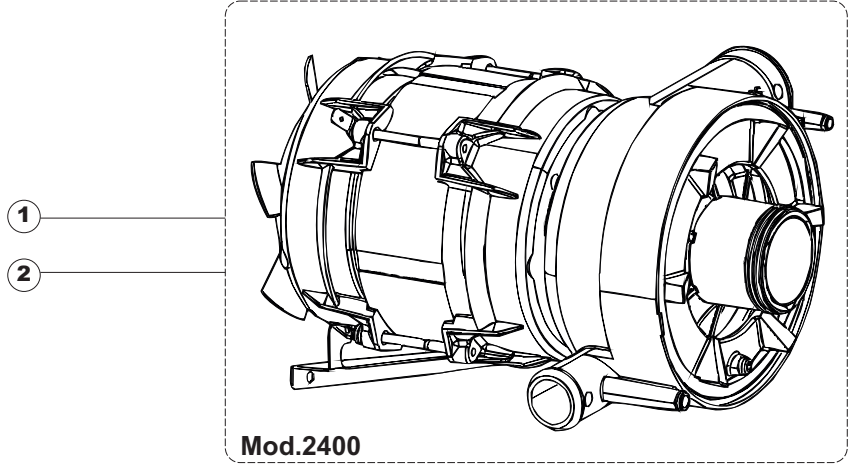
34	H.775611-001	TUBO PVC CRISTALLO 10X14 PIPE, PVC GLASS CRYSTAL 10X14 ROHR, PVC KRISTALL 10X14 TUYAU PVC CRISTAL 10X14 TUBO PVC CRISTAL 10X14	
35	144991	GR.VALVOLA DI SFIATO X PS LA50 DRAIN PUMP VENT VALVE LA50 LUFTLÖCH-VENTIL DER ABFLUSSPUMPE LA50 SOUPAPE DE SOUPIRAL POMPE DE VIDANGE LA50 GR.VALVOLA ALIVIAD. X PS LA50	
36	499092	MEMBRANA VALVOLA SFIATO PS LA50 MEMBRANE BLENDE MEMBRANA VALVULA ALIVIAD. PS LA50	
37	127092	MANICOTTO P./SCARICO>VALVOLA SFIATO DRAIN PUMP COUPLING MUFFE ABLAUFpumpe MANCHON POMPE DE VIDANGE MANGUITO B./DESCARGA>VALVULA ALIVIADERO	
38	127087	MANICOTTO GOMMA POMPA SC.LA50 RUBBER COUPLING DRAIN PUMP MUFFE DURITE MANGUITO GOMA BOMBA DESC.LA50	
39	130177	POMPA SCARICO 50HZ DRAIN PUMP 50HZ ABFLUSSPUMPE 50HZ. POMPE DE VIDANGE 50HZ. BOMBA DESCARGA 50HZ	
40	130181	POMPA SCARICO 60HZ DRAIN PUMP 60HZ ABFLUSSPUMPE 60HZ. POMPE DE VIDANGE 60HZ. BOMBA DESCARGA 60HZ	
45	468205	RACCORDO VALVOLA SFIATO LA50 CONNECTION LA50 ABFLUSSANSCHLUSS LA50 RACCORD EMPALME VALVULA ALIVIAD. LA50 SUAVIZ.	

6



Pagina 6

1	437113	GUARNIZIONE CORPO INFERIORE PER LAVABICCHIERI LOWER BODY GASKET FOR GLASSWASHERS DICHTUNG DES KOERPERS -UNTEN- FUER GLAES ERSPUELEI JOINT CORPS INFERIEUR LAVE-VERRES JUNTA CUERPO INFER.LA40-50	
2	429069	GHIERA COND.CENTRALE X5 RING NUT, CENTR.PIPELINE X5 GEWINDERING, HAUPTLEITUNG X5 BAGUE COND.CENTR. X5 VIROLA COND. CENTRAL X5	
3	303037	ANELLO DI TENUTA LAVAGGIO X5 RING RING BAGUE ANILLO DE ESTANQ. LAVADO X5	
4	325087	PERNO PETTINE PARALLELI INF.LA50 PERNO PEINE PARALELOS INF.LA50	
5	990113	GRUPPO LAV. RISC. BRACCI PARALLELI E50 WASH/RINSE UNIT E50 WASCH/NACHSPUELUNGSEINHEIT E50 GROUPE LAVAGE/RINCAGE E50 GRUPO LAV.ENJUAGUE BRAZOS PARALELOS E50..	
6	129068	CORPETTO COMPLETO X PETTINI PAR.D44 COMPLETE WASH AND RINSE ARM BODY CUERPO COMPLETO X PEINES PAR.D44	
7	106153	BRACCIO LAV/RISC.E50(8SPR)P.PARALLELI WASH/RINSE ARM E50 (8 NOZZLES) PARALLEL SPUEL/NACHSPUELARM E50 (8DUESEN) PARALLEL RAMPE DE LAVAGE/RINÇAGE E50 (8 GICLEURS) PARALLÈLE BRAZO LAV/ENJ.E50(8SPR)P.PARALELOS	
8	106152	BRACCIO LAV/RISC.E50(7SPR)P.PARALLELI WASH/RINSE ARM E50 (7 NOZZLES) PARALLEL SPUEL/NACHSPUELARM E50 (7 DUESEN) PARALLEL RAMPE DE LAVAGE/RINÇAGE E50 (7 GICLEURS) PARALLÈLE BRAZO LAV/ENJ. E50(7SPR)P.PARALELOS	
9	456070	OR D.I.15.54X2.62 ART.20886 OR D.I.15.54X2.62 ART.20886 OR D.I.15.54X2.62 ART.20886 JOINT 15.54X2.62 ART.20886 OR D.I.15.54X2.62 ART.20886	
10	456071	OR D.I.24X2.5 ART.34916 OR D.I.24X2.5 ART.34916 OR D.I.24X2.5 ART.34916 JOINT D.I.24X2.5 ART.34916 OR D.I.24X2.5 ART.34916	
11	454006	NOTTOLINO TORNITO D19.5 PIN ZAPFEN PIVOT TRINQUETE TORNEADO D19.5	
12	437100	GUARNIZIONE D20D10S0.5 PTFE G400 PACKING DICHTUNG JOINT JUNTA D20D10S0.5 PTFE G400	
13	429073	GHIERA FISSA CONDOTTO INF.LA50 GEWINDERING MUTTER VIROLE VIROLA FIJA CONDUCTO INF.LA50	
14	437102	GUARNIZIONE CONDOTTO INFER.LA50 GASKET DICHTUNG JOINT JUNTA CONDUCTO INFER.LA50	
15	121121	FILTRO VASCA INOX INTEGRALE LA50 CPL FILTER SIEB FILTRE FILTRO CUBETA INOX INTEGRAL LA50 CPL	



Pagina 7

1	130982	POMPA LAVAGGIO 50HZ WASHING UNIT + PUMP WASCHPUMPE-KOERPER+ PUMPE GROUPE POMPE DE LAVAGE + POMPE GRUPO BOMBA(130161)LA50 50HZ	
2	130981	POMPA LAVAGGIO 60HZ WASHING UNIT + PUMP WASCHPUMPE-KOERPER+ PUMPE GROUPE POMPE DE LAVAGE + POMPE GRUPO BOMBA(130164)LA50 60HZ	
3	335015	VENTOLA POMPA 2400 FAN LUFERRAD VENTILATEUR ROTOR BOMBA 2400	
4	206002	CONDENSATORE DA 10 mF CONDENSER - 10 mF KONDENSATOR - 10 mF CONDENSATEUR DE 10 mF CONDENSADOR DE 10 mF	
5	478062	SUPPORTO ELASTICO POMPA LA50 ELASTIC BLOCK FIOR PUMP ELASTISCHBLOCK FUER PUMPE BLOQUE ELASTIQUE POUR POMPE SOPORTE ELASTICO BOMBA LA50	
6	141008	TENUTA MECCANICA PER POMPA DI LAVAGGIO PER LAVABICI WASH PUMP SHAFT SEAL FOR GLASSWASHER MECHANISCHE DICHTUNG FUER WASCHPUMPE DER GLAESE ETANCHEITE' DE LA POMPE DE LAVAGE POUR LAVE-VERRES SELLO MEC.FISJO BOMBA	
7	141009	TENUTA MECCANICA PER POMPA DI LAVAGGIO PER LAVABICI WASH PUMP SHAFT SEAL FOR GLASSWASHER MECHANISCHE DICHTUNG FUER WASCHPUMPE DER GLAESE ETANCHEITE' DE LA POMPE DE LAVAGE POUR LAVE-VERRES SELLO MEC.GIRAT. BOMBA(0142R)	
8	124057	GIRANTE+INSERTO POMPA(2398R) IMPELLER PUMPENFLUEGEL TURBINE ROTOR+ELEMENTO BOMBA	
9	124060	GIRANTE+INSERTO POMPA(2398R)60HZ IMPELLER PUMPENFLUEGEL TURBINE ROTOR+ELEM. BOMBA(2398R)60HZ	
10	456078	OR.POMPA(2402R)3.53X170.5 OR.PUMP (2402R)3.53X170.5 TORISCHE DICHTUNG JOINT TORIQUE OR.BOMBA 3.53X170.5	
11	480148	TAPPO CHIOCCIOLA POMPA(2399R) PUMP CAP DECKEL PUMPE BOUCHON POMPE TAPON ESPIRAL BOMBA	
12	429074	GHIERA FILETTATA POMPA(2434R) NUT RING DOUILLE VIROLA ROSCADA BOMBA	
13	486242	VITE 3.5X13 TBC UNI6954(0062R) SCREW 3.5X13 SCHRAUBE 3.5X13 VIS 3.5X13 TORNILLO 3.5X13 TBC UNI6954	
14	116037	CORPO PER POMPA DI LAVAGGIO PER LAVASTOVIGLIE 2396R WASH-BODY PUMP FOR DISHWASHER KOERPER DER WASCHPUMPE FUER GESCHIRR- SPUELER CORPS POMPE DE LAVAGE POUR LAVE- VAISSELLE CUERPO BOMBA 50 T-173	

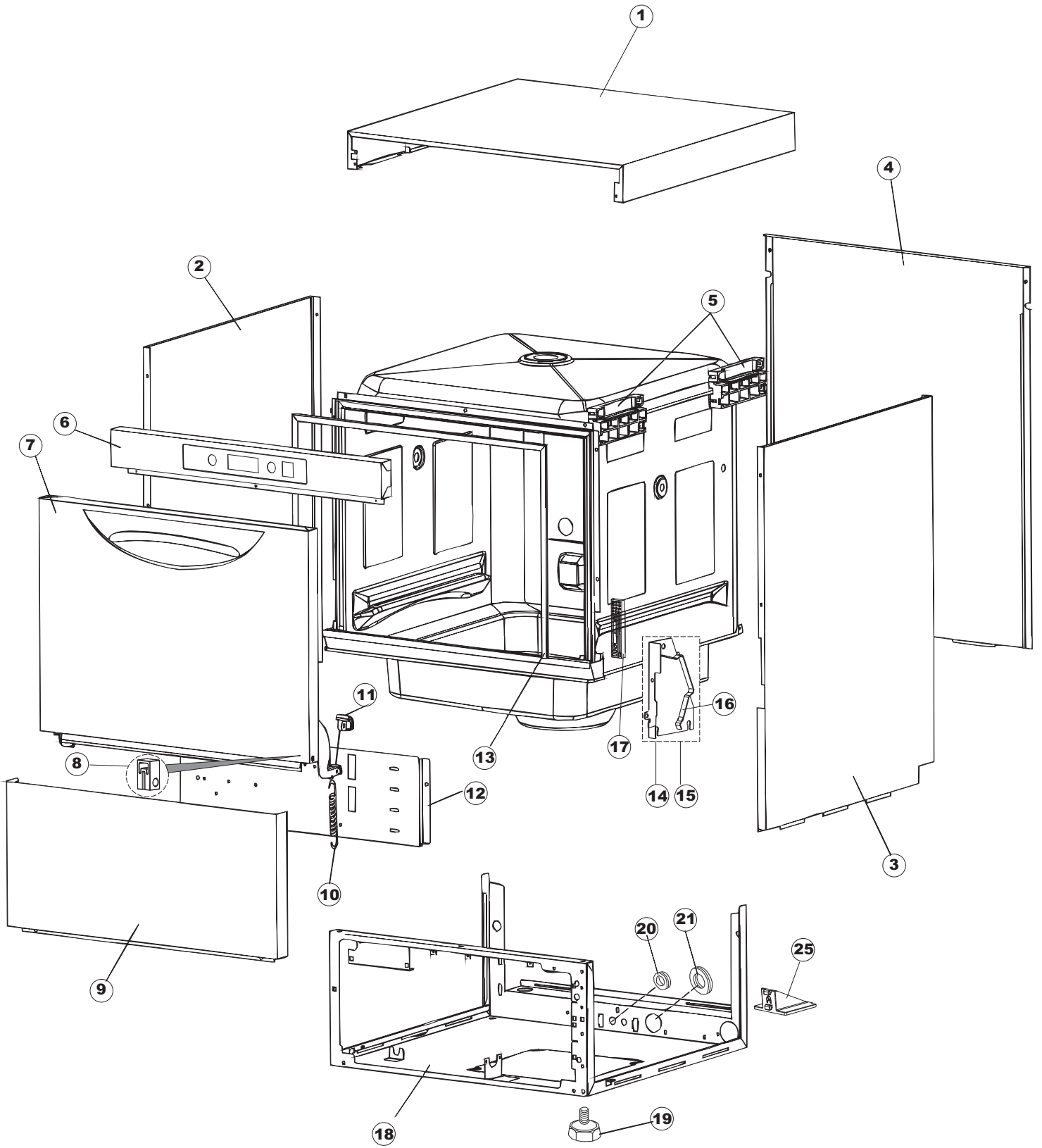
ELETTROBAR

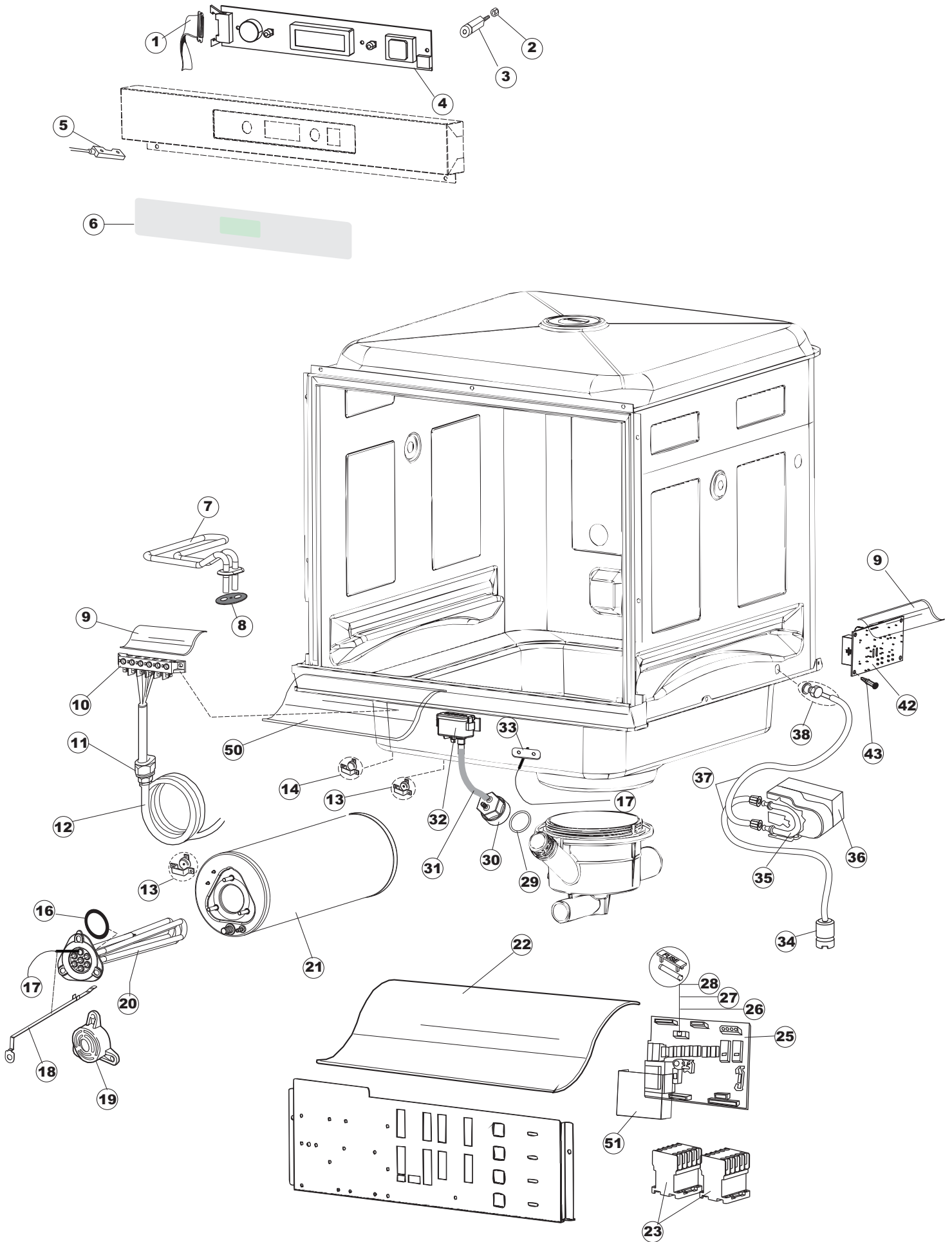
**SPARE PARTS CATALOGUE
ERSATZTEILKATALOG
CATALOGUE PIECES DETACHEES
CATALOGO PARTI RICAMBIO
CATALOGO DE PIEZAS DE RECAMBIO
CATALOGO PEÇAS DE REPOSIÇÃO**

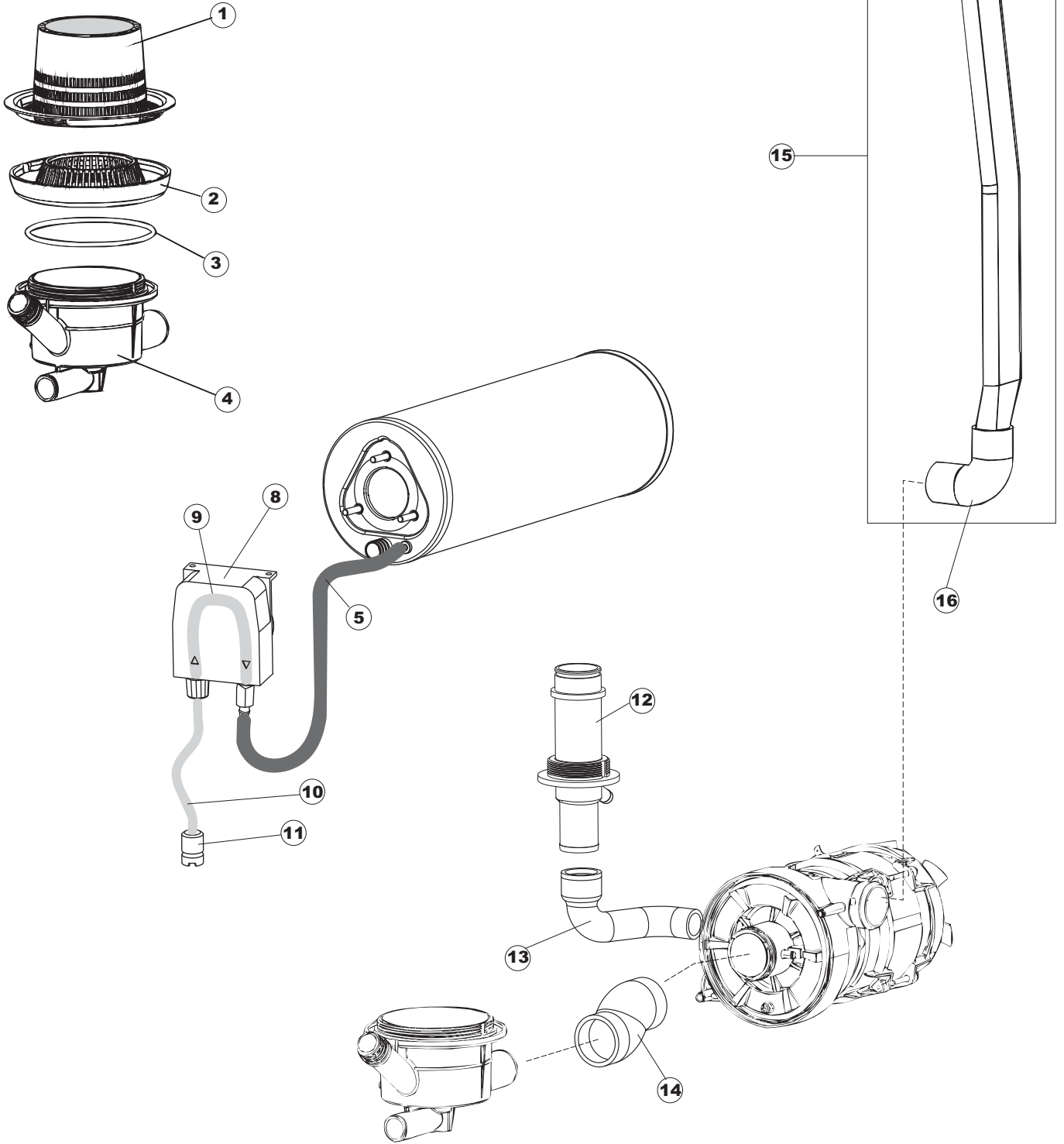
**R i v e r
362C-362T**

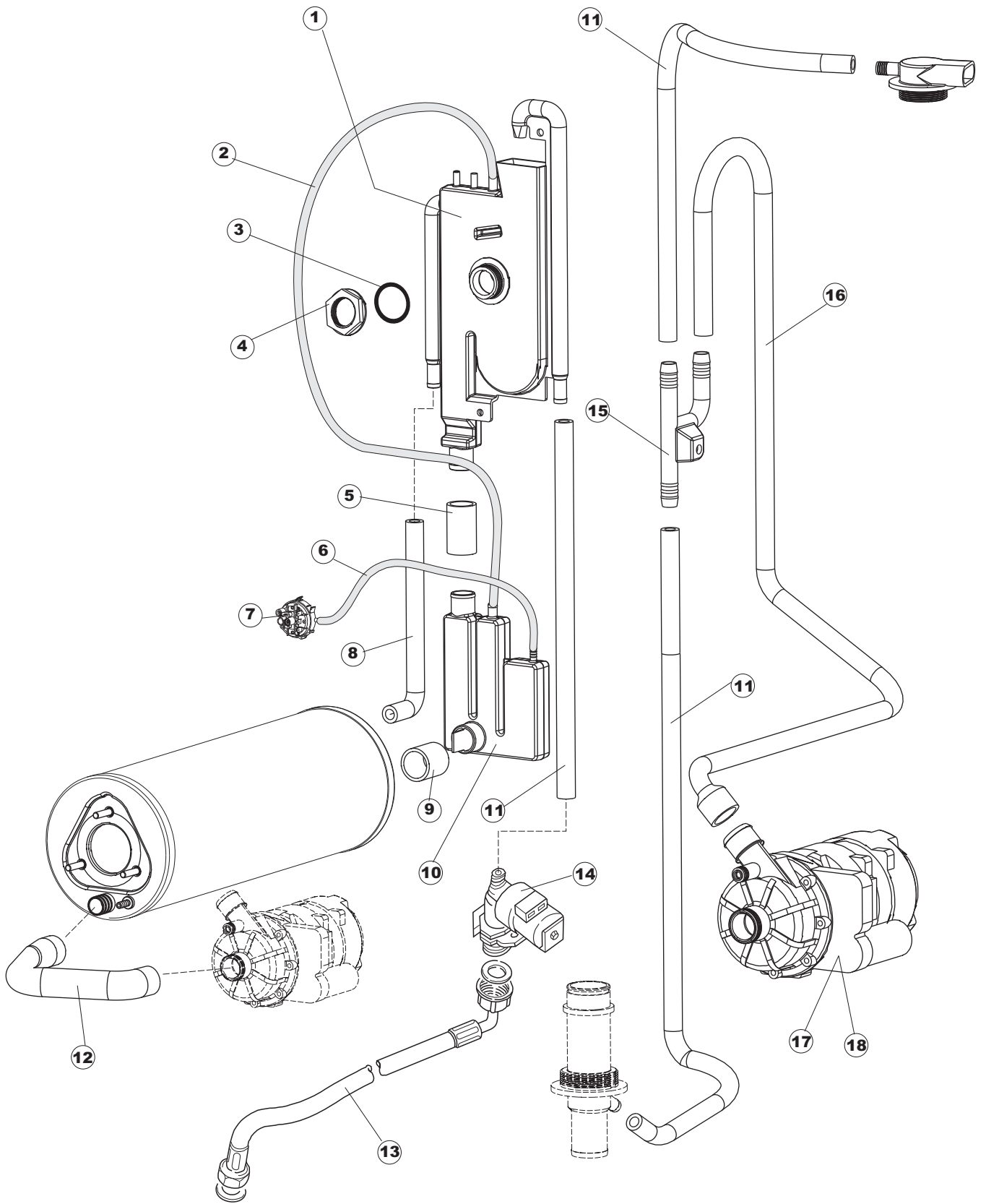
21-01-2013

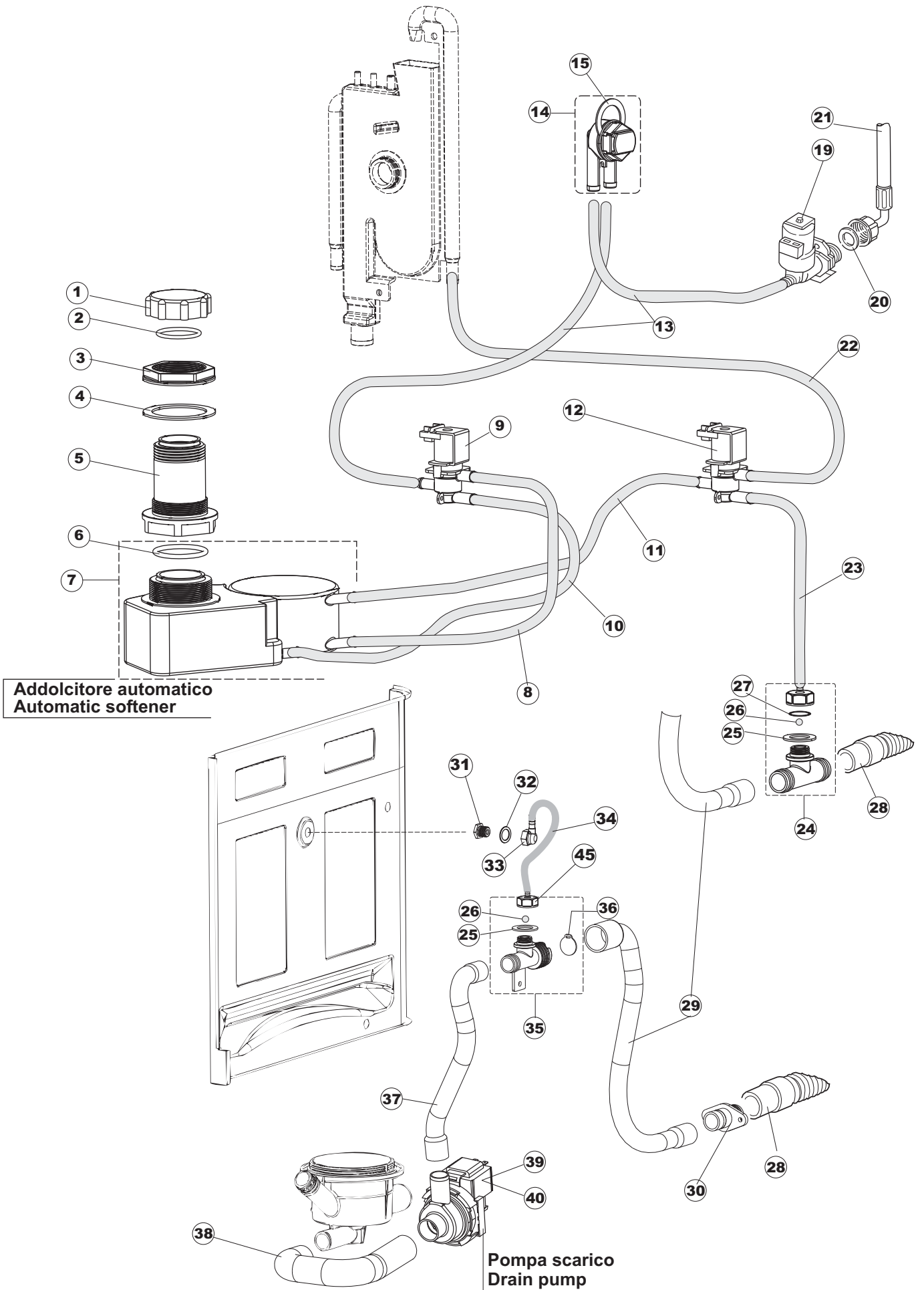
1



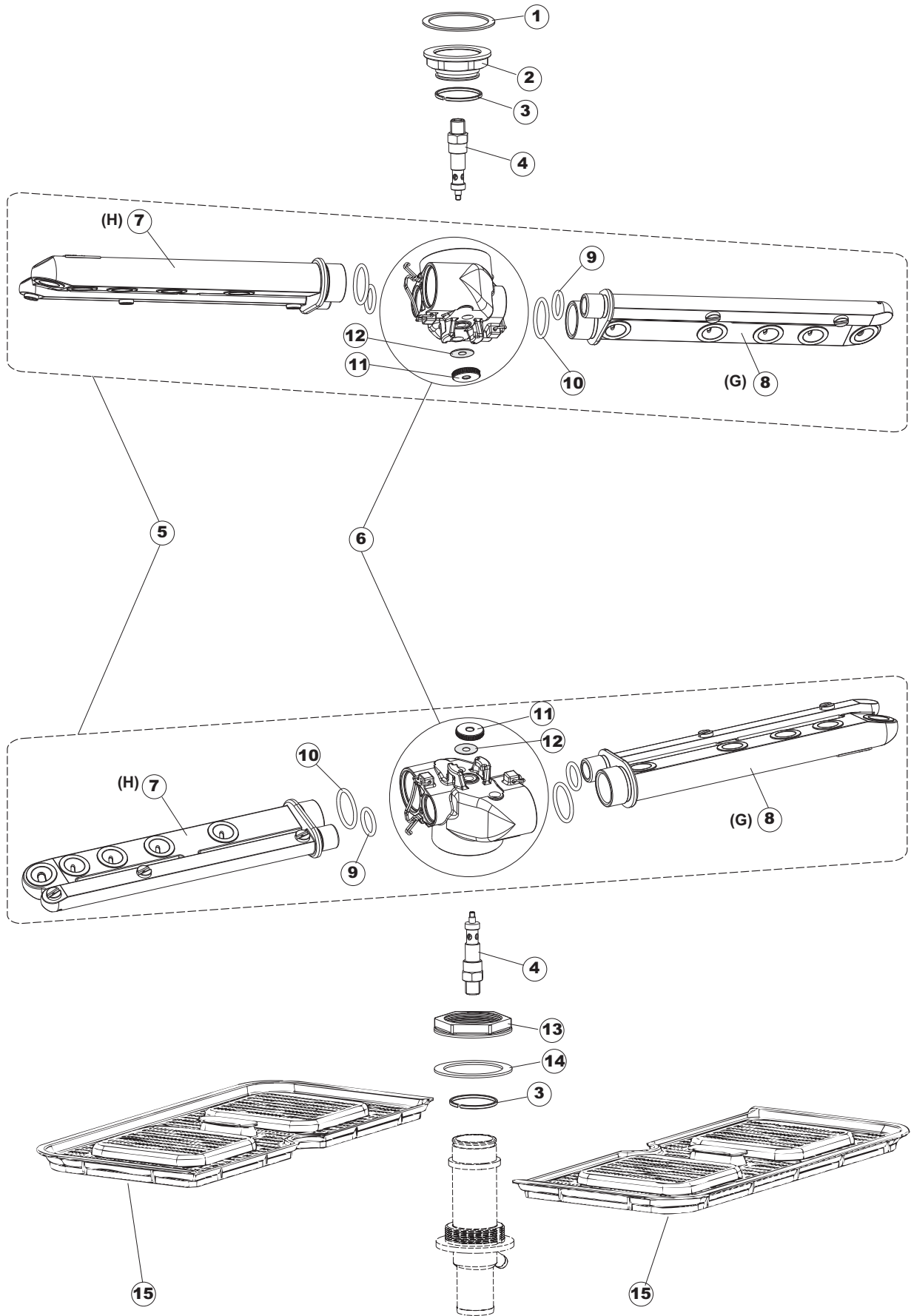


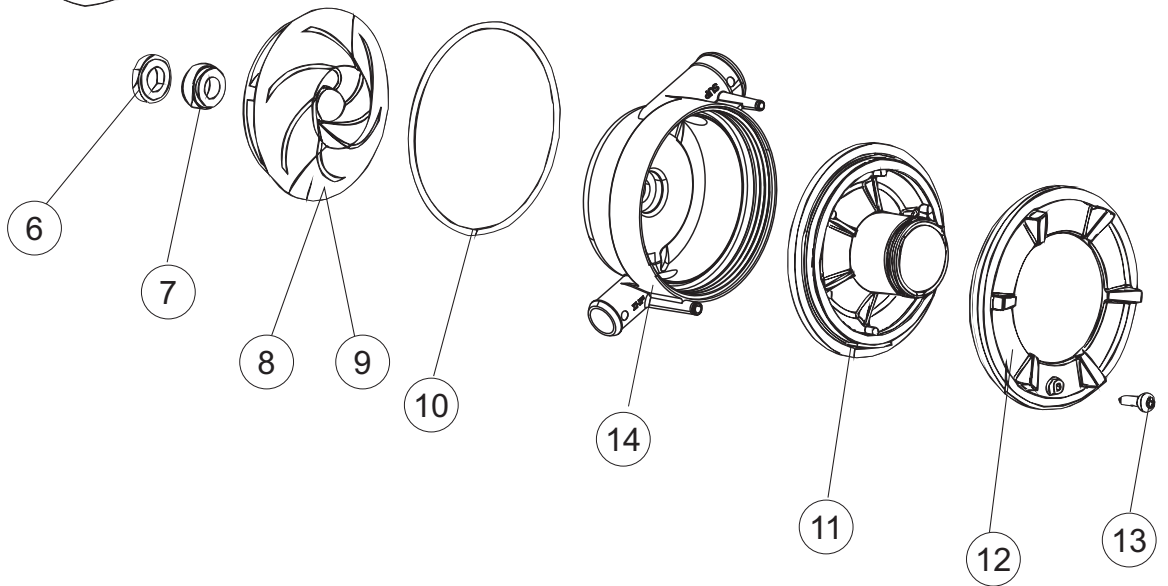
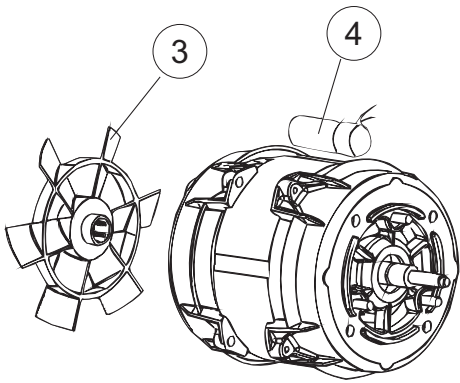
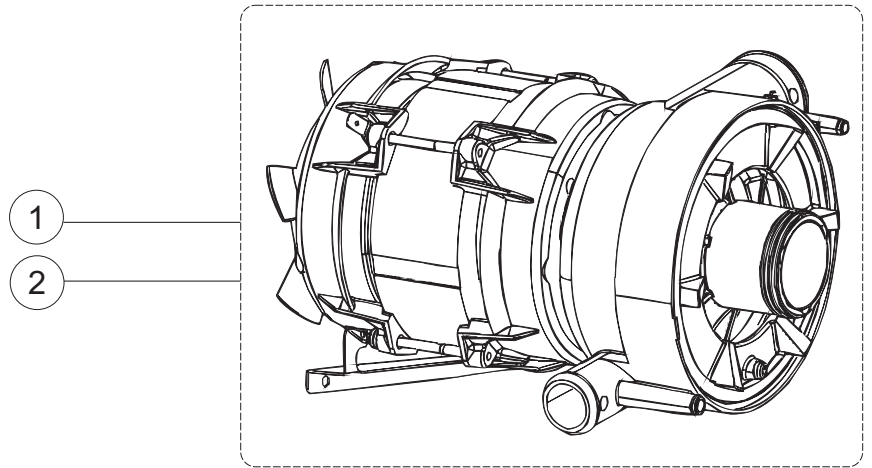






6





Seite	Position	Code	Alter Code	Beschreibung	ME
1	1	004175		GEHAEUSEOBERTEIL LA50	NR
1	2	021116		SEITENWAND LINKS	NR
1	3	021115		SEITENWAND RECHTS.LA50	NR
1	4	022146		RUECKWAND LA50	NR
1	5	035083		BUEGEL LA50	NR
1	6	026303		PANN.COMANDI TOPTECH 26-20	NR
1	7	029510		TUER KOMPLETT LA50	NR
1	8	310013		ZENTRIERBLOCK SCHARN-BOLZEN LA50	NR
1	9	012318		FRONTBLLENDE LA50	NR
1	10	449063		FEDER	NR
1	11	307014		ANSCHLAG X AUSGL. UND SCHLISSFEDER	NR
1	12	035081		BEF.WINKEL	NR
1	13	437103		TUERDICHTUNG	NR
1	14	999259		GRUPPO STAFFA+MOLLA BILANCIAM.PORTA DX	NR
1	15	999260		GRUPPO STAFFA+MOLLA SAGOM.SX.PORTA LA50	NR
1	16	449058		FEDER	NR
1	17	307015		BUEGELLAGER F. TUERSTANGE LA50	NR
1	18	040119		SOCKEL	NR
1	19	461019	REB461019	VERSTELLFUSS D30 M8	NR
1	20	459006	REB459006	KABELDURCHGANG, Di9/De16 22	NR
1	21	459004	REB459004	ROHRDURCHGANG, GUMMI DI.34	NR
1	25	480151		VERSCHLUSS	NR
2	1	211013		FLACHKABEL	NR
2	2	417119		SCHRAUBENMUTTER, M3 KUNST. WEISS	NR
2	3	419036		ABSTANDSSTUECK, M3	NR
2	4	80943		BEDINGUNGEN-TESTENBRETT	NR
2	5	80871		TUERKONTAKTSCHALTER	NR
2	6	70705		FRONTBLLENDE	NR
2	7	230118		ELEKTRISCHER WIDERSTAND 2100W-230V LA50	NR
2	8	437086	REB437086	DICHTUNG, TANKWIDERSTAND	NR
2	9	214088		EL.SCHUTZ, TRANSP.KL.3	NR
2	10	220011	REB220011	* KLEMMENBRETT, 5-POLIG + ERDUNG FV.122	NR
2	11	459005	REB459005	KABELKLIPPS, STEAB Art.5024	NR
2	12	H.374339-2		MASCHINE KABERL H07RN-F 5X2.5X3.0MT	NR
2	13	236047	REB236047	SICHERHEITSTHERMOSTAT	NR
2	14	236052		THERM.,KONT. BOILER/L.90ø+/-3ø(2611576)	NR
2	16	456002	REB456002	O-Ring 48x6,2	NR
2	17	231016		TEMPERATURSONDE	NR
2	18	69871		SONDENHALTER	NR
2	19	69870		HEIZUNGSCHUETZ DES WARMWASSERBEREITERS	NR
2	20	230117		HEIZUNG 7600W/400V	NR
2	21	104061		BOILER CRP	NR
2	22	214108		DURCHSICHTIGER SCHUETZ FUER ELEKTRISCHE ANLAGE DES GESCHIRRSPUELERS	NR
2	23	229042		SCHALTSCHÜTZ	NR
2	25	215032-4		KARTE	NR
2	26	228012		SICHERUNG	NR
2	27	228011		SICHERUNG	NR
2	28	228004		SICHERUNG, 5X20 4A FAST	NR
2	29	456073		O-RING	NR
2	30	107013		LUFT-GLOCKE DES DRUCKSCHALTERS	NR
2	31	143235		SCHLAUCH 4X7 SILIKON DURCHS. CRP	MT

2	32	70561		DRUCKWAECHTER	NR
2	33	028105		PLATCHEN	NR
2	34	121993		FILTERANORDNUNG	NR
2	35	143258		MEMBRANSCHLAUCH SANTOPREN	NR
2	36	999296		GRUPPO DOSATORE DETERG.(209028)	NR
2	37	143194	REB143194	SCHLAUCH 4X6 CRISTAL, DURCHS.	MT
2	38	468151	DZR150NT	TANKEINLAUF CPL NM*	NR
2	42	215039		KARTE	NR
2	43	461028		PIEDINO PLAST.SCHEDA 5309AA00XS	NR
2	50	214109		DURCHSICHTIGER SCHUETZ FUER ELEKTRISCHE ANLAGE DES GESCHIRRSPUELERS	NR
2	51	214110		KARTE SICHERHEIT	NR
3	1	121135		FILTERGRUPPE RIVER-TOPTECH CRP-SP	NR
3	2	429072		ZWINGE	NR
3	3	456076		TORISCHE DICHTUNG D.I.135.9X5.33	NR
3	4	136028		ABSAUG-UND ABFLUSSKOERPER LA50	NR
3	5	143005	SPG10	SCHLAUCH TP 5X11 (CASER/15/NL C4N)	MT
3	8	999309		GRUPPO DOSATORE BRILL.(209033)	NR
3	9	143261		MEMBRANSCHLAUCH	NR
3	10	H.775601		ROHR 4x6 CRISTAL BLAU PVC	MT
3	11	121993		FILTERANORDNUNG	NR
3	12	115143		ZENTRALLEITUNG OBEN LA50	NR
3	13	127085		SAUGMUFFE PUMPE LA50	NR
3	14	127082		NACHSPUEL-FOERDERUNGSBOGEN	NR
3	15	115140		VEREINTE WASHLEITUNG LA50	NR
3	16	127084		OBERE DRUCKMUFFE	NR
4	1	144021		AIR GAP GEOFFNETER BEHAELTER	NR
4	2	H.165168		PVC SCHLAUCH	MT
4	3	437104		DICHTUNG	NR
4	4	417125		MUTTER	NR
4	5	127096		MUFFE	NR
4	6	143235		SCHLAUCH 4X7 SILIKON DURCHS. CRP	MT
4	7	224024		DRUCKWAECHTER 35/22	NR
4	8	127098		MUFFE LA50	NR
4	9	127095		MUFFE	NR
4	10	144032		AIR GAP GEOFFNETER BEHAELTER	NR
4	11	143004	REB143004	ROHR, DRUCKSCHALTER TP 10X17 (CASER/15NL C4N)	MT
4	12	69068		SAUGMUFFE LA50	NR
4	13	143170	REB143170	ZULAUFSCHLAUCH, WASSER 60.10.02.15 DVGW	NR
4	14	240018		ZUFLUSSVENTIL 1-WEG CRP	NR
4	15	143268		NICHT IN DER PREIS LISTE	
4	16	127097		DRUCKMUFFE PUMPE CRP-H	NR
4	17	80627		PUMPE	NR
4	18	80629		PUMPE 60HZ	NR
5	1	480005	REB480005	PFPROPFEN, SALZBEHALTER	NR
5	2	456052	REB456052	O-Ring 144	NR
5	3	429073		MUTTER	NR
5	4	437102		DICHTUNG	NR
5	5	466006		VERLANGERUNG SALZBEHAELTER LA50	NR
5	6	456079		DICHTUNG O-RING	NR
5	7	117008		WASSERENTKAECKER	NR
5	8	127100		MUFFE LA50	NR
5	9	999288		GRUPPO VALVOLA DEVIATR.CON RIDUTTORE	NR
5	10	127099		MUFFE LA50	NR
5	11	127101		MUFFE LA50	NR
5	12	240020		MAGNETVENTIL ZWEI WEGE	NR

5	13	143004	REB143004	ROHR, DRUCKSCHALTER TP 10X17 (CASER/15NL C4N)	MT
5	14	144030		AIR GAP BEHAELTER - NICHT KOMPLETT	NR
5	15	437080		DICHTUNG, VERBINDUNGSST., OB.SPÜL.E.40	NR
5	19	240021		"CRP" WASSERZUFUHR-EINWEGMAGNETVENTIL	NR
5	20	437041	REB437041	DICHTUNG 3/4 GASVERSORG.	NR
5	21	143170	REB143170	ZULAUFSCHLAUCH, WASSER 60.10.02.15 DVGW	NR
5	22	127103		MUFFE LA50	NR
5	23	127102		MUFFE LA 50	NR
5	24	144993		LUFTLOCH-VENTIL DER ABFLUSSPUMPE CRP	NR
5	25	437083		DICHTUNG, GUMMI D32D19.5S1.5	NR
5	26	476008		KUGELHAHN	NR
5	27	456015	REB456015	O-Ring 112 9.92X2.62	NR
5	28	143137	REB143137	ABLASSROHR D18 GEBOG. ENDE	NR
5	29	127093		MUFFE	NR
5	30	468152	REB468152	VERBINDUNGSST., ABLAUF CLEAN.3	NR
5	31	429075		GEWINDERING	NR
5	32	437078	REB437078	DICHTUNG, DOSIERER E35/.OB.NACHSPÜLEN	NR
5	33	468165	REB468165	FITTING, KUNST. VERBINDUNGSST. 35/40/22	NR
5	34	H.775611-001		ROHR, PVC KRISTALL 10X14	MT
5	35	144991		LUFTLOCH-VENTIL DER ABFLUSSPUMPE LA50	NR
5	36	499092		BLLENDE	NR
5	37	127092		MUFFE ABLAUFPUMPE	NR
5	38	127087		MUFFE	NR
5	39	130177		ABFLUSSPUMPE 50HZ.	NR
5	40	130181		ABFLUSSPUMPE 60HZ.	NR
5	45	468205		ABFLUSSANSCHLUSS LA50	NR
6	1	437113		DICHTUNG DES KOERPERS -UNTEN- FUER GLAES ERSPUELER	NR
6	2	429069	REB429069	GEWINDERING, HAUPTLEITUNG X5	NR
6	3	303040		TEILERPLATTE	NR
6	4	325087		PERNO PETTINE PARALLELI INF.LA50	NR
6	5	990113		GRUPPO LAV.RISC.BRACCI PARALLELI E50..	NR
6	6	129068		CORPETTO COMPLETO X PETTINI PAR.D44	NR
6	7	106153		SPUEL/NACHSPUELARM E50 (8DUESEN) PARALLEL	NR
6	8	106152		SPUEL/NACHSPUELARM E50 (7 DUESEN) PARALLEL	NR
6	9	456070		OR D.I.15.54X2.62 ART.20886	NR
6	10	456071		OR D.I.24X2.5 ART.34916	NR
6	11	454006		ZAPFEN	NR
6	12	437100		DICHTUNG	NR
6	13	429073		MUTTER	NR
6	14	437102		DICHTUNG	NR
6	15	121121		SIEB	NR
7	1	130977		WASCHPUMPE-KOERPER+ PUMPE	NR
7	2	130976		NICHT IN DER PREIS LISTE	
7	3	335015		LUFTERRAD	NR
7	4	206002	REB206002	KONDENSATOR - 10 mF	NR
7	6	141008		MECHANISCHE DICHTUNG FUER WASCHPUMPE DER GLAESERSPUELER	NR
7	7	141009		MECHANISCHE DICHTUNG FUER WASCHPUMPE DER GLAESERSPUELER	NR
7	8	124057		PUMPENFLUEGEL	NR
7	9	124060		PUMPENFLUEGEL	NR
7	10	456078		TORISCHE DICHTUNG	NR
7	11	480148		DECKEL PUMPE	NR
7	12	429074		RING	NR
7	13	486242		SCHRAUBE 3.5X13	NR