

| MODELLO MODEL MODELL MODELE | POS. | CODICE CODE KODE CODE | DESCRIZIONE | DESCRIPTION | BESCHREIBUNG | DESCRIPTION |
|--------------------------------------|---------------|--------------------------------|---|--|---|---|
| M70... | 1 | 025257-00R | PROTEZIONE STRUMENTO | INSTRUMENT PROTECTION | KONTROLLSCHUTZ | PROTECTION DE L'INSTRUMENTATION |
| M70... | 2 | 025704-00R | RINF.SERRATURA CRUSCOTTO 700/1400 LT | DOOR-LOCK SUPPORT | TUERSCHLOSS HALTERUNG | SUPPORT POUR SERRURE PORTE |
| M70... | 3 | 025124-00R | CAVO ALIM. HO5VV-F 3G1,5 L=3000 CON | POWER SUPPLY CORD | SPEISUNGSKABEL | CORDON D'ALIMENTATION |
| M70... | 4 | 025193-00R | COPRIFORO ASOLA CRUSCOTTO 700/1400 LT | INSTRUMENT PANEL HOLE CAP | LOCHVERSCHLUSS FUER INSTRUMENTENTAFEL STAHL | BOUCHON COUVRE TROU - PANNEAU INSTRUMENTS |
| M70TPJ, M70BT. | 5 | 025454-00R | PASSACAVO RIGIDO 2952EA00 | CABLE GLAND (BUSH) | KABELVERSCHRAUBUNGEN | SERRE-CABLE |
| M70... | 6 | 025063-00R | MICROINTERRUTTORE PORTA H3141AAK | DOOR MICROSWITCH | MIKROSCHALTER | MICRO-INTERRUPTEUR PORTE |
| M70..A | 7 | 025614-00R | CRUSCOTTO 700 LT 430 | INSTRUMENT 430 STEEL PANEL | INSTRUMENTENTAFEL 430-STAHL | PANNEAU INSTRUMENTS EN ACIER 430 |
| M70..H | | 025599-00R | CRUSCOTTO 700 LT 441 | INSTRUMENT 441 STEEL PANEL | INSTRUMENTENTAFEL 441-STAHL | PANNEAU INSTRUMENTS EN ACIER 441 |
| M70..J | | 025181-00R | CRUSCOTTO 700 LT | INSTRUMENT S.TEEL PANEL | INSTRUMENTENTAFEL STAHL | PANNEAU INSTRUMENTS EN ACIER INOXYDABLE |
| M70... | 8 | 025510-00R | FARETTO LED BIANCO GHIERA BRILLANTATA | LED SPOT-LIGHT | LED-LAMPE (WEISS LICHT) | LAMPE (LED) ECLAIRAGE |
| M70... | 9 | 025684-00R | O-RING DIAM. INT. 32MM | O-RING | O-RING | O-RING |
| M70... | 10 | 025511-00R | ALIMENTATORE PER FARETTO | SPOT-LIGHT AC/DC-ADAPTER | SPEISEAPPARAT FUER LED-LAMPE | ALIMENTATEUR POUR LAMPE (LED) ECLAIRAGE |
| M70... | 11 | 013494-00R | SERRATURA CHIAVE UNICA CAT. TONDO | DOOR/DRAWER LOCK | TUER/SCHUBLADE SCHLOSS | SERRURE PORTE/TIROIRE |
| M70... | 12 | 025057-00R | TERMOSTATO DIGITALE AT2-5BS4E-AG | DIGITAL THERMOSTAT | DIGITAL THERMOSTAT | THERMOSTAT DIGITAL |
| M70... | 13 | 025119-00R | MEMBRANA OVALE VERTICALI MBM | DIGITAL CONTROLER OVAL FRAME STICKER | FESTKLEBEND SCHILD | ETIQUETTE OVALE |
| M70TN... | 14 | 025019-00R | ETICHETTA RESINATA 30X10 RANGE -2/+8°C | TEMPERATURE RANGE STICKER | FESTKLEBEND TEMPERATURSCHILD | ETIQUETTE TEMPERATURES |
| M70TP... | | 025022-00R | ETICHETTA RESINATA 30X10 RANGE -6/+6°C | TEMPERATURE RANGE STICKER | FESTKLEBEND TEMPERATURSCHILD | ETIQUETTE TEMPERATURES |
| M70BT... | | 025020-00R | ETICHETTA RESINATA 30X10 RANGE -20/-10°C | TEMPERATURE RANGE STICKER | FESTKLEBEND TEMPERATURSCHILD | ETIQUETTE TEMPERATURES |
| M70TN. | 15 (TAV.4) | 025587-00R | UNITÀ ST54PLR 700LT -2/+8°C ML60TB R404A | UNIT ST54PLR 700LT -2/+8°C ML60TB R404A | EINHEIT ST54PLR 700LT -2/+8°C ML60TB R404A | UNITE ST54PLR 700LT -2/+8°C ML60TB R404A |
| M70TN. 60HZ | | 025455-00R | UNITÀ ST54PLR 700LT -2/+8°C ML60TG R404A 50/60 HZ | UNIT ST54PLR 700LT -2/+8°C ML60TG R404A 50/60 HZ | EINHEIT ST54PLR 700LT -2/+8°C ML60TG R404A 50/60 HZ | UNITE ST54PLR 700LT -2/+8°C ML60TG R404A 50/60 HZ |
| M70TPJ | | 025588-00R | UNITÀ ST54PHR 1400LT-2/+8°C ML90TB R404A | UNIT ST54PHR 1400LT-2/+8°C ML90TB R404A | EINHEIT ST54PHR 1400LT-2/+8°C ML90TB R404A | UNITE ST54PHR 1400LT-2/+8°C ML90TB R404A |
| M70TPJ 60HZ | | 025456-00R | UNITÀ ST54PHR 1400LT -2/+8°C ML90TG R404A 50/60 HZ | UNIT ST54PHR 1400LT -2/+8°C ML90TG R404A 50/60 HZ | EINHEIT ST54PHR 1400LT -2/+8°C ML90TG R404A 50/60 HZ | UNITE ST54PHR 1400LT -2/+8°C ML90TG R404A 50/60 HZ |
| M70BT. | | 025589-00R | UNITÀ ST54NLR 700LT -15/-22°C MX21FB | UNIT ST54NLR 700LT -15/-22°C MX21FB | EINHEIT ST54NLR 700LT -15/-22°C MX21FB | UNITE ST54NLR 700LT -15/-22°C MX21FB |
| M70BT. 60HZ | | 025457-00R | UNITÀ ST54NLR 700LT -15/-22 MX21FG R404A 50/60 HZ | UNIT ST54NLR 700LT -15/-22 MX21FG R404A 50/60 HZ | EINHEIT ST54NLR 700LT -15/-22 MX21FG R404A 50/60 HZ | UNITE ST54NLR 700LT -15/-22 MX21FG R404A 50/60 HZ |
| M70... | 16 | 025725-00R | KIT VITERIE FISSAGGIO CREMAGLIERE | UP-RIGHT SUPPORT SCREWS/FITTINGS KIT | SCHRAUBEN SATZ FUR SCHIENENHALTERUNG | ENSSEMBLE DE VIS POUR SUPPORTES GLISSIÈRES |
| M70TPJ, M70BT. | 17 | 025512-00R | CONVOGLIATORE AD ANGOLO IN POLISTIROLO | CABINET AIR-CONVEYOR | ZELLE-LUFTVERTEILER | CONVOYEUR D'AIR DE CUVE |
| M70TPJH, M70BT.H.. | 18 | 025744-00R | RES. W 230V CORNICI 700 LT 1/2 PORTE | 1/2-DOOR FRAME HEATER | TUERRAHMENHEIZUNG | RESISTANCE PORTE |
| M70TPJ, M70BT. | 19 | 025465-00R | RESISTENZA 20W 230V CORNICI 700 LT | DOOR FRAME HEATER | TUERRAHMENHEIZUNG | RESISTANCE PORTE |
| M70... | 20 | 025184-00R | GUIDA DX-SX GN 1/1 | RIGHT/LEFT SLIDE | RECHTE/LINKE SCHIENE | GLISSIERE DROITE/GAUCHE |
| M70... | 21 | 025182-00R | CREMAGLIERA SUPPORTO GRIGLIE | UP-RIGHT SLIDE SUPPORT | SCHIENENHALTERUNG | SUPPORT GLISSIÈRE |
| M70... (1) | | 025702-00R | CREMAGLIERA SUPPORTO GRIGLIE | UP-RIGHT SLIDE SUPPORT | SCHIENENHALTERUNG | SUPPORT GLISSIÈRE |
| M70... | 22 | 025185-00R | COPRITESTA CREMAGLIERA | UP-RIGHT SLIDE SUPPORT PLASTIC COVER | SCHIENENHALTERUNG | BOUCHON EN PLASTIQUE - SUPPORT GLISSIÈRE |
| M70...H | 23 | 025703-00R | CREMAGLIERA SUPPORTO GRIGLIE MEZZE PORTE | UP-RIGHT SLIDE SUPPORT (2 HALF-DOOR SET) | SCHIENENHALTERUNG (2 1/2-TURE MODELL) | SUPPORT GLISSIÈRE (VERSION 2 1/2-PORTES) |
| M140... | 24 | 025170-00R | ASSIEME PIEDE PLASTICA M10 ESC. 115-165 | PLASTIC LEG | PLASTIKFUSS | PIED EN PLASTIQUE |
| M70... | | 025646-00R | ASS. PIEDE INOX M10 ESC. 115-165 | S.STEEL LEG | INOX FUSSE | PIED EN ACIER INOXYDABLE |
| M70... | 25 | 025726-00R | KIT STAFFA CERNIERA PORTA (+PERNO+VITERIA) | DOOR-HINGING SUPPORT KIT (+PIN+SCREWS) | TURE HALTERUNG SATZ (+BOLZEN+SCHRAUBEN) | ENSSEMBLE DE SUPPORT POUR PORTE, PIVOT, VIS |
| M70TPJ | 26 | 011593-00R | FALSO FONDO FORATO BACINELLE GN 1/1 | GN1/1 TRAY PERFORATED S.STEEL BOTTOM | GELOCHTER EINSATZBODEN FUR BEHAELTER GN1/1 | FOND PERFORE POUR BAC GN1/1 |

(1) DA MATR. 351654 (25/03/2009)

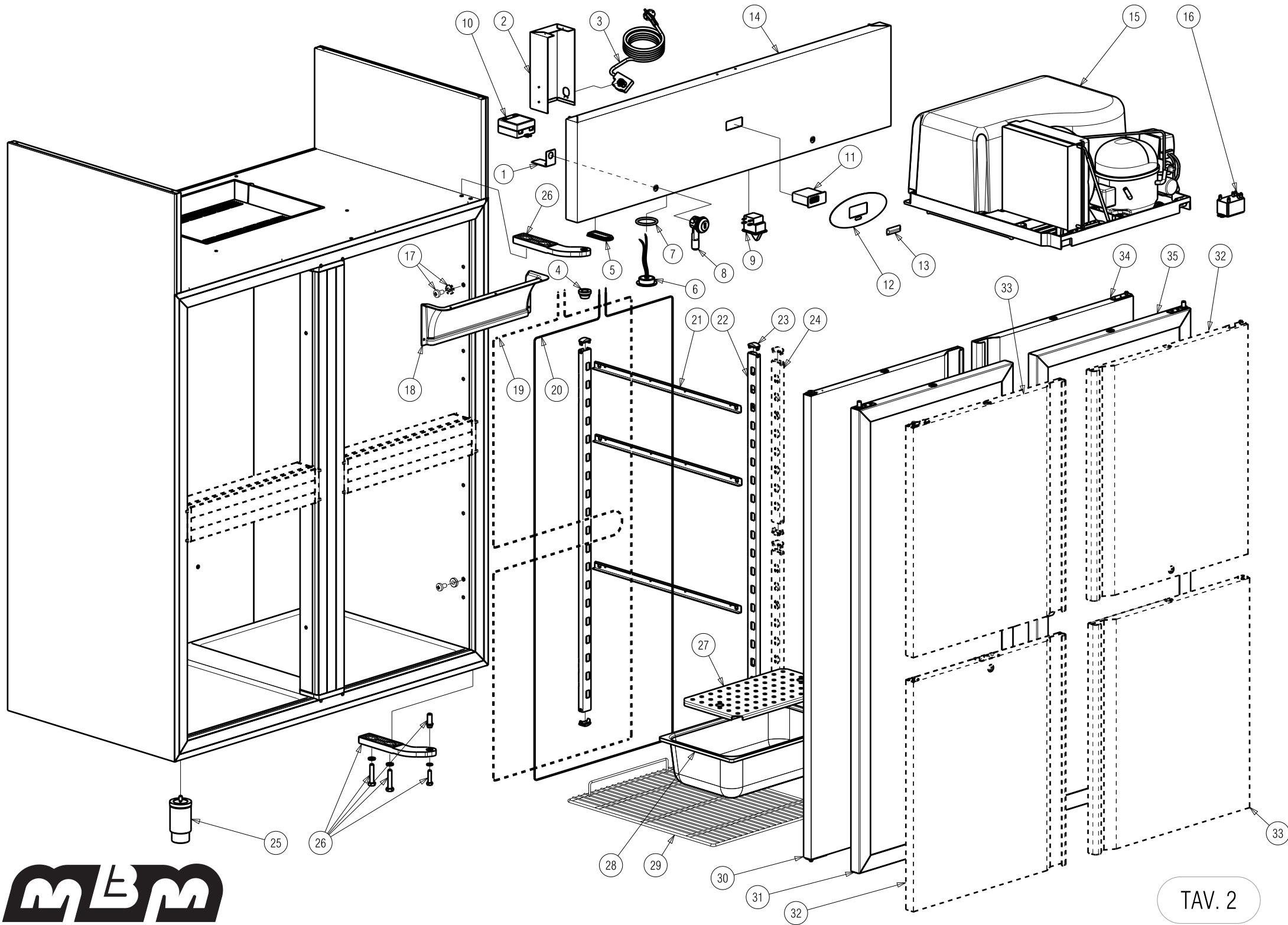
(1) STARTING FROM SN. 351654 (25/03/2009)

(1) VOM SERIEN. 351654 (25/03/2009)

(1) A PARTIR DE MATR. 351654 (25/03/2009)

TAV. 1

| MODELLO MODEL MODELL MODELE | POS. | CODICE CODE KODE CODE | DESCRIZIONE | DESCRIPTION | BESCHREIBUNG | DESCRIPTION |
|--------------------------------------|------|--------------------------------|---|--|--|--|
| M70TPJ | 27 | OA011-12-150 | BACINELLA GN 1/1 530X325 H150 PST BIANCO | GN1/1 WHITE PLASTIC TRAY | WEISSE PLASTIK BEHAELTER GN1/1 | BAC BLANC GN1/1 |
| M70TN., M70BT. | 28 | 025186-00R | RIPIANO GRIGLIATO PLASTIFICATO GN 2/1 | PLASTIC-COATED SHELF GN2/1 | REGAL GN2/1 KUNSTSTOFFBESCHICHTET | CLAYETTE GN2/1 EN PLASTIQUE |
| M70..A | 29 | 025632-00R | ASS. PORTA DX COMPLETA MBM S4/AL | COMPLETE RIGHT-HAND 430/AL DOOR | KOMPLETTE RECHTSÖFFNENDE 430/AL TÜR | ENSEMBLE PORTE 430/AL DROITE |
| M70..H | 29 | 025600-00R | ASS. PORTA DX COMPLETA MBM 441 | COMPLETE RIGHT-HAND 441 DOOR | KOMPLETTE RECHTSÖFFNENDE 441 TÜR | ENSEMBLE PORTE 441 DROITE |
| M70..J | | 025531-00R | ASS. PORTA DX COMPLETA MBM | COMPLETE RIGHT-HAND DOOR | KOMPLETTE RECHTSÖFFNENDE TÜR | ENSEMBLE PORTE DROITE |
| M70TN...G | 30 | 025745-00R | ASS. PORTA INTERA VETRO TN DX | COMPLETE RIGHT-HAND GLASS-DOOR | KOMPLETTE RECHTSÖFFNENDE GLASTÜR | ENSEMBLE PORTE EN VERRE DROITE |
| M70BT...G | | 025747-00R | ASS. PORTA INTERA VETRO BT DX | COMPLETE RIGHT-HAND GLASS-DOOR (-18°C) | KOMPLETTE RECHTSÖFFNENDE GLASTÜR (-18°C) | ENSEMBLE PORTE EN VERRE (-18°C) DROITE |
| M70..AH | 31 | MPM-INFDX-A | ASS. PORTA INFERIORE DX 430 COMPLETA DEXION | COMPLETE LOWER RIGHT-HAND 430 DOOR | KOMPLETTE UNTERE RECHTSÖFFNENDE 430 TÜR | ENSEMBLE PORTE DROITE INFERIEUR 430 |
| M70..HH | | MPM-INFDX-H | ASS. PORTA INFERIORE DX 441 COMPLETA DEXION | COMPLETE LOWER RIGHT-HAND 441 DOOR | KOMPLETTE UNTERE RECHTSÖFFNENDE 441 TÜR | ENSEMBLE PORTE DROITE INFERIEUR 441 |
| M70..JH | | MPM-INFDX-J | ASS. PORTA INFERIORE DX COMPLETA DEXION | COMPLETE LOWER RIGHT-HAND DOOR | KOMPLETTE UNTERE RECHTSÖFFNENDE TÜR | ENSEMBLE PORTE DROITE INFERIEUR |
| M70..AH | 32 | MPM-SUPDX-A | ASS. PORTA SUPERIORE DX 430 COMPLETA DEXION | COMPLETE UPPER RIGHT-HAND 430 DOOR | KOMPLETTE OBERE RECHTSÖFFNENDE 430 TÜR | ENSEMBLE PORTE DROITE SUPERIEUR 430 |
| M70..HH | | MPM-SUPDX-H | ASS. PORTA SUPERIORE DX 441 COMPLETA DEXION | COMPLETE UPPER RIGHT-HAND 441 DOOR | KOMPLETTE OBERE RECHTSÖFFNENDE 441 TÜR | ENSEMBLE PORTE DROITE SUPERIEUR 441 |
| M70..JH | | MPM-SUPDX-J | ASS. PORTA SUPERIORE DX COMPLETA DEXION | COMPLETE UPPER RIGHT-HAND DOOR | KOMPLETTE OBERE RECHTSÖFFNENDE TÜR | ENSEMBLE PORTE DROITE SUPERIEUR |



| MODELLO MODEL MODELL MODELE | POS. | CODICE CODE KODE CODE | DESCRIZIONE | DESCRIPTION | BESCHREIBUNG | DESCRIPTION |
|--------------------------------------|---------------|--------------------------------|---|--|---|---|
| M140... | 1 | 025704-00R | RINF.SERRATURA CRUSCOTTO 700/1400 LT | DOOR-LOCK SUPPORT | TUERSCHLOSS HALTERUNG | SUPPORT POUR SERRURE PORTE |
| M140... | 2 | 025257-00R | PROTEZIONE STRUMENTO | INSTRUMENT PROTECTION | KONTROLLSCHUTZ | PROTECTION DE L'INSTRUMENTATION |
| M140... | 3 | 025124-00R | CAVO ALIM. HO5VV-F 3G1,5 L=3000 CON | POWER SUPPLY CORD | SPEISUNGSKABEL | CORDON D'ALIMENTATION |
| M140TPJ... M140BT.. | 4 | 025454-00R | PASSACAVO RIGIDO 2952EA00 | CABLE GLAND (BUSH) | KABELVERSCHRAUBUNGEN | SERRE-CABLE |
| M140... | 5 | 025193-00R | COPRIFORO ASOLA CRUSCOTTO 700/1400 LT | INSTRUMENT PANEL HOLE CAP | LOCHVERSCHLUSS FUER INSTRUMENTENTAFEL STAHL | BOUCHON COUVRE TROU - PANNEAU INSTRUMENTS |
| M140... | 6 | 025510-00R | FARETTO LED BIANCO GHIERA BRILLANTATA | LED SPOT-LIGHT | LED-LAMPE (WEISS LICHT) | LAMPE (LED) ECLAIRAGE |
| M140... | 7 | 025684-00R | O-RING DIAM. INT. 32MM | O-RING | O-RING | O-RING |
| M140... | 8 | 013494-00R | SERRATURA CHIAVE UNICA CAT. TONDO | DOOR/DRAWER LOCK | TUER/SCHUBLADE SCHLOSS | SERRURE PORTE/TIROIRE |
| M140... | 9 | 025063-00R | MICROINTERRUTTORE PORTA H3141AAK | DOOR MICROSWITCH | MIKROSCHALTER | MICRO-INTERRUPTEUR PORTE |
| M140... | 10 | 025511-00R | ALIMENTATORE PER FARETTO | SPOT-LIGHT AC/DC-ADAPTER | SPEISEAPPARAT FUER LED-LAMPE | ALIMENTATEUR POUR LAMPE (LED) ECLAIRAGE |
| M140... | 11 | 025057-00R | TERMOSTATO DIGITALE AT2-5BS4E-AG | DIGITAL THERMOSTAT | DIGITAL THERMOSTAT | THERMOSTAT DIGITAL |
| M140... | 12 | 025119-00R | MEMBRANA OVALE VERTICALI MBM | DIGITAL CONTROLER OVAL FRAME STICKER | FESTKLEBEND SCHILD | ETIQUETTE OVALE |
| M140TN... | 13 | 025019-00R | ETICHETTA RESINATA 30X10 RANGE -2/+8°C | TEMPERATURE RANGE STICKER | FESTKLEBEND TEMPERATURSCHILD | ETIQUETTE TEMPERATURES |
| M140TP... | | 025022-00R | ETICHETTA RESINATA 30X10 RANGE -6/+6°C | TEMPERATURE RANGE STICKER | FESTKLEBEND TEMPERATURSCHILD | ETIQUETTE TEMPERATURES |
| M140BT... | | 025020-00R | ETICHETTA RESINATA 30X10 RANGE -20/-10°C | TEMPERATURE RANGE STICKER | FESTKLEBEND TEMPERATURSCHILD | ETIQUETTE TEMPERATURES |
| M140.A | 14 | 025615-00R | CRUSCOTTO 1400 LT 430 | INSTRUMENT 430 STEEL PANEL | INSTRUMENTENTAFEL 430-STAHL | PANNEAU INSTRUMENTS EN ACIER 430 |
| M140.H | | 025613-00R | CRUSCOTTO 1400 LT 441 | INSTRUMENT 441 STEEL PANEL | INSTRUMENTENTAFEL 441-STAHL | PANNEAU INSTRUMENTS EN ACIER 441 |
| M140.J | | 025274-00R | CRUSCOTTO 1400 LT | INSTRUMENT S.TEEL PANEL | INSTRUMENTENTAFEL STAHL | PANNEAU INSTRUMENTS EN ACIER |
| M140TN. | 15 (TAV.4) | 025588-00R | UNITÀ ST54PHR 1400LT-2/+8°C ML90TB R404A | UNIT ST54PHR 1400LT-2/+8°C ML90TB R404A | EINHEIT ST54PHR 1400LT-2/+8°C ML90TB R404A | UNITE ST54PHR 1400LT-2/+8°C ML90TB R404A |
| M140TN. 60HZ | | 025456-00R | UNITÀ ST54PHR 1400LT -2/+8°C ML90TG R404A 50/60 HZ | UNIT ST54PHR 1400LT -2/+8°C ML90TG R404A 50/60 HZ | EINHEIT ST54PHR 1400LT -2/+8°C ML90TG R404A 50/60 HZ | UNITE ST54PHR 1400LT -2/+8°C ML90TG R404A 50/60 HZ |
| M140TPJ | | 025589-00R | UNITÀ ST54NLR 700LT -15/-22°C MX21FB | UNIT ST54NLR 700LT -15/-22°C MX21FB | EINHEIT ST54NLR 700LT -15/-22°C MX21FB | UNITE ST54NLR 700LT -15/-22°C MX21FB |
| M140TPJ 60HZ | | 025457-00R | UNITÀ ST54NLR 700LT -15/-22 MX21FG R404A 50/60 HZ | UNIT ST54NLR 700LT -15/-22 MX21FG R404A 50/60 HZ | EINHEIT ST54NLR 700LT -15/-22 MX21FG R404A 50/60 HZ | UNITE ST54NLR 700LT -15/-22 MX21FG R404A 50/60 HZ |
| M140BT. | | 025590-00R | UNITÀ ST54NHR 1400LT -15/-22°C MS34FB | UNIT ST54NHR 1400LT -15/-22°C MS34FB | EINHEIT ST54NHR 1400LT -15/-22°C MS34FB | UNITE ST54NHR 1400LT -15/-22°C MS34FB |
| M140BT. 60HZ | | 025459-00R | UNITÀ ST54NHR 1400LT -15/-22 MS30FG R404A 60 HZ | UNIT ST54NHR 1400LT -15/-22 MS30FG R404A 60 HZ | EINHEIT ST54NHR 1400LT -15/-22 MS30FG R404A 60 HZ | UNITE ST54NHR 1400LT -15/-22 MS30FG R404A 60 HZ |
| M140BT. | 16 | 022547-00R | RELE' DI POTENZA FINDER 30A PER AB | RELAY | RELAIS | RELAIS |
| M140... | 17 | 025725-00R | KIT VITERIE FISSAGGIO CREMAGLIERE | UP-RIGHT SUPPORT SCREWS/FITTINGS KIT | SCHRAUBEN SATZ FUR SCHIENENHALTERUNG | ENSAMBLE DE VIS POUR SUPPORTES GLISSIÈRES |
| M140TPJ, M140BT. | 18 | 025512-00R | CONVOGLIATORE AD ANGOLO IN POLISTIROLO | CABINET AIR-CONVEYOR | ZELLE-LUFTVERTEILER | CONVOYEUR D'AIR DE CUVE |
| M140TPJH2, M140BT.H2 | 19 | 025744-00R | RES. W 230V CORNICI 700 LT 1/2 PORTE | 1/2-DOOR FRAME HEATER | TUERRAHMENHEIZUNG | RESISTANCE PORTE |
| M140TPJ, M140BT. | 20 | 025465-00R | RESISTENZA 20W 230V CORNICI 700 LT | DOOR FRAME HEATER | TUERRAHMENHEIZUNG | RESISTANCE PORTE |
| M140... | 21 | 025184-00R | GUIDA DX-SX GN 1/1 | RIGHT/LEFT SLIDE | RECHTE/LINKE SCHIENE | GLISSIERE DROITE/GAUCHE |
| M140... | 22 | 025182-00R | CREMAGLIERA SUPPORTO GRIGLIE | UP-RIGHT SLIDE SUPPORT | SCHIENENHALTERUNG | SUPPORT GLISSIÈRE |
| M140... (1) | | 025702-00R | CREMAGLIERA SUPPORTO GRIGLIE | UP-RIGHT SLIDE SUPPORT | SCHIENENHALTERUNG | SUPPORT GLISSIÈRE |
| M140... | 23 | 025185-00R | COPRITESTA CREMAGLIERA | UP-RIGHT SLIDE SUPPORT PLASTIC COVER | SCHIENENHALTERUNG | BOUCHON EN PLASTIQUE - SUPPORT GLISSIÈRE |
| M140...H2 | 24 | 025703-00R | CREMAGLIERA SUPPORTO GRIGLIE MEZZE PORTE | UP-RIGHT SLIDE SUPPORT (2 HALF-DOOR SET) | SCHIENENHALTERUNG (2 1/2-TURE MODELL) | SUPPORT GLISSIÈRE (VERSION 2 1/2-PORTES) |
| M140... | 25 | 025170-00R | ASSIEME PIEDE PLASTICA M10 ESC. 115-165 | PLASTIC LEG | PLASTIKFUSS | PIED EN PLASTIQUE |
| M140.J | | 025646-00R | ASS. PIEDE INOX M10 ESC. 115-165 | S.STEEL LEG | INOX FUSSE | PIED EN ACIER INOXYDABLE |
| M140... | 26 | 025726-00R | KIT STAFFA CERNIERA PORTA (+PERNO+VITERIA) | DOOR-HINGING SUPPORT KIT (+PIN+SCREWS) | TURE HALTERUNG SATZ (+BOLZEN+SCHRAUBEN) | ENSAMBLE DE SUPPORT POUR PORTE, PIVOT, VIS |

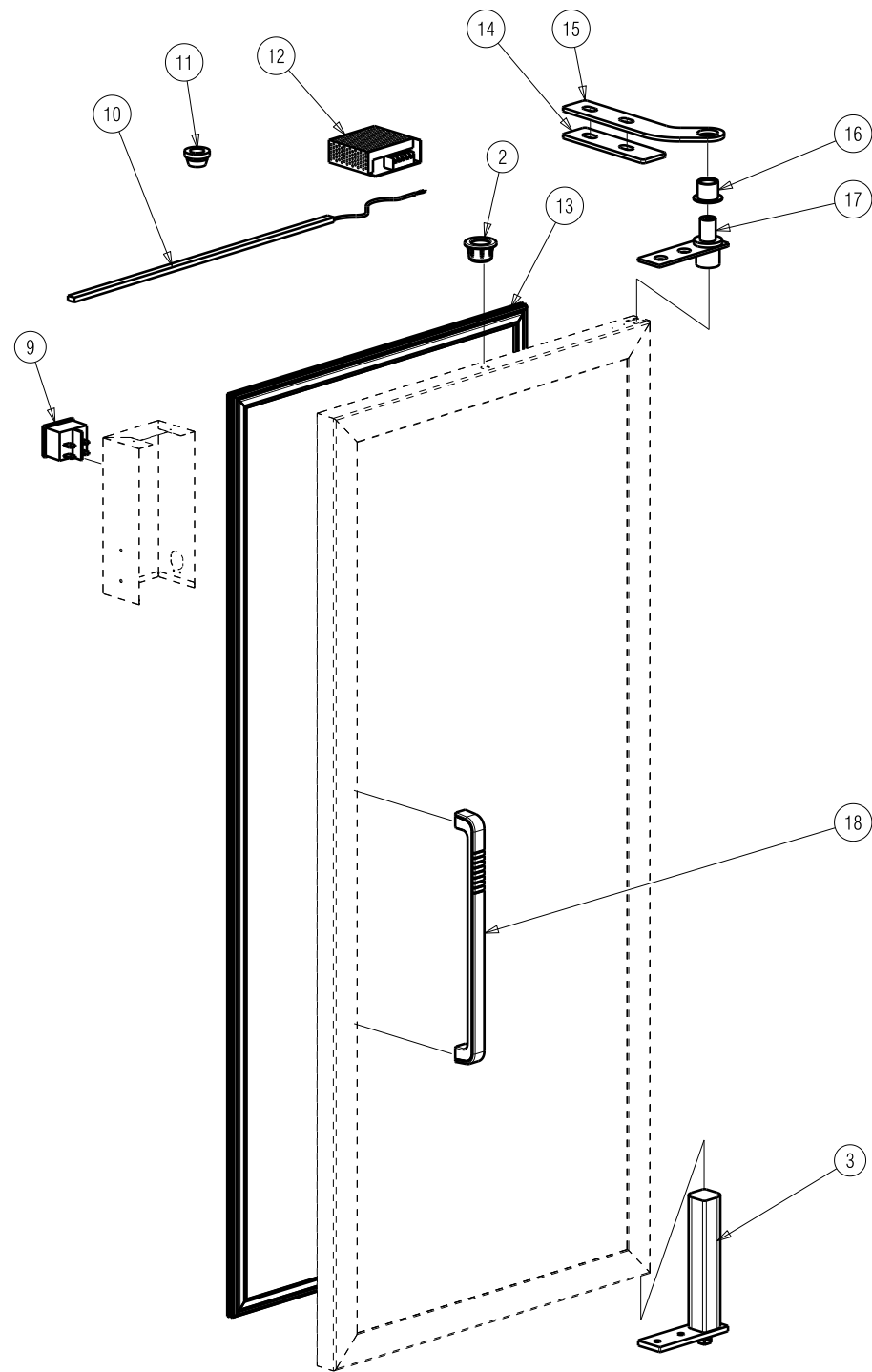
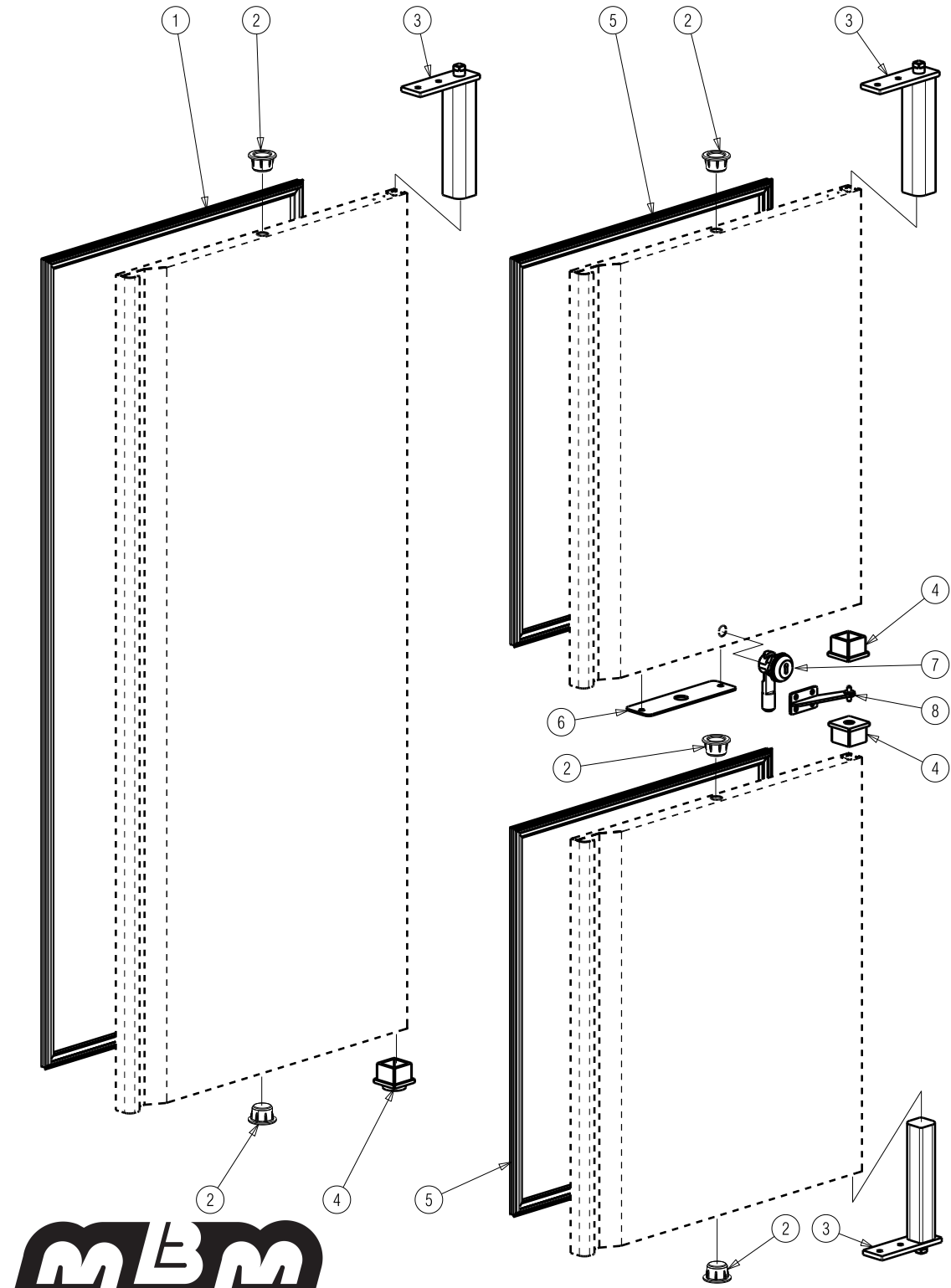
(1) DA MATR. 351654 (25/03/2009)

(1) STARTING FROM SN. 351654 (25/03/2009)

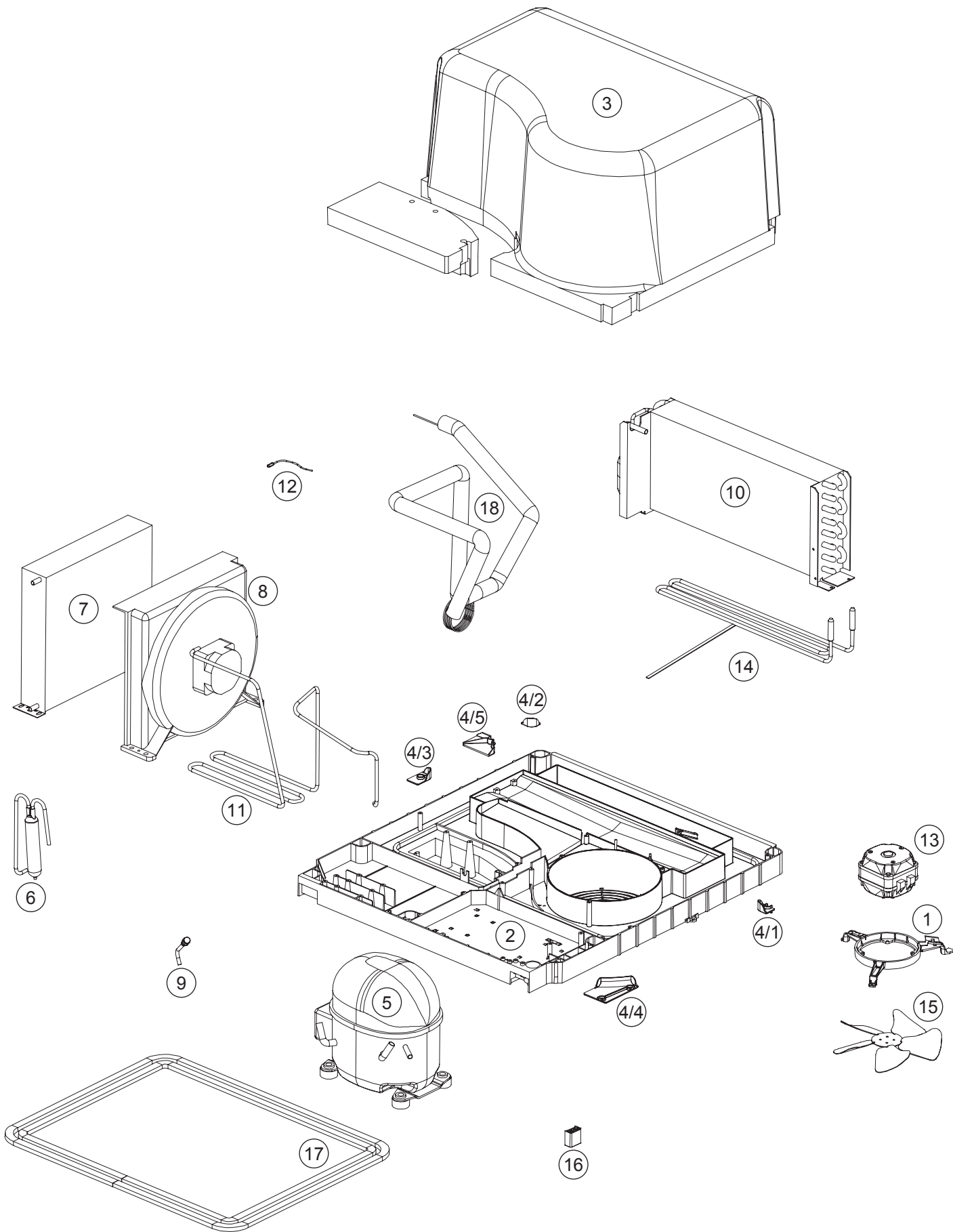
(1) VOM SERIEN. 351654 (25/03/2009)

(1) A PARTIR DE MATR. 351654 (25/03/2009)

| MODELLO MODEL MODELL MODELE | POS. | CODICE CODE KODE CODE | DESCRIZIONE | DESCRIPTION | BESCHREIBUNG | DESCRIPTION |
|--------------------------------------|------|--------------------------------|---|--|---|--|
| M140TPJ | 27 | 011593-00R | FALSO FONDO FORATO BACINELLE GN 1/1 | GN1/1 TRAY PERFORATED S.STEEL BOTTOM | GELOCHTER EINSATZBODEN FÜR BEHÄLTER GN1/1 | FOND PERFORE POUR BAC GN1/1 |
| M140TPJ | 28 | OA011-12-150 | BACINELLA GN 1/1 530X325 H150 PST BIANCO | GN1/1 WHITE PLASTIC TRAY | WEISSE PLASTIK BEHÄLTER GN1/1 | BAC BLANC GN1/1 |
| M140TN, M140BT. | 29 | 025186-00R | RIPIANO GRIGLIATO PLASTIFICATO GN 2/1 | PLASTIC-COATED SHELF GN2/1 | REGAL GN2/1 KUNSTSTOFFBESCHICHTET | CLAYETTE GN2/1 EN PLASTIQUE |
| M140..A | 30 | 025633-00R | ASS. PORTA SX COMPLETA MBM S4/AL | COMPLETE LEFT-HAND 430/AL DOOR | KOMPLETTE LINKSÖFFNENDE 430/AL TÜR | ENSEMBLE PORTE 430/AL GAUCHE |
| M140..H | 30 | 025605-00R | ASS. PORTA SX COMPLETA MBM 441 | COMPLETE LEFT-HAND 441 DOOR | KOMPLETTE LINKSÖFFNENDE 441 TÜR | ENSEMBLE PORTE 441 GAUCHE |
| M140..J | | 025535-00R | ASS. PORTA SX COMPLETA MBM | COMPLETE LEFT-HAND DOOR | KOMPLETTE LINKSÖFFNENDE TÜR | ENSEMBLE PORTE GAUCHE |
| M140TN...G | 31 | 025746-00R | ASS. PORTA INTERA VETRO TN SX | COMPLETE LEFT-HAND GLASS-DOOR | KOMPLETTE LINKSÖFFNENDE GLASTÜR | ENSEMBLE PORTE EN VERRE GAUCHE |
| M140BT...G | | 025748-00R | ASS. PORTA INTERA VETRO BT SX | COMPLETE LEFT-HAND GLASS-DOOR (-18°C) | KOMPLETTE LINKSÖFFNENDE GLASTÜR (-18°C) | ENSEMBLE PORTE EN VERRE (-18°C) GAUCHE |
| M140..AH2 | 32 | MPM-SUPDX-A | ASS. PORTA SUPERIORE DX 430 COMPLETA DEXION | COMPLETE UPPER RIGHT-HAND 430 DOOR | KOMPLETTE OBERE RECHTSÖFFNENDE 430 TÜR | ENSEMBLE PORTE DROITE SUPERIEUR 430 |
| M140..HH2 | | MPM-SUPDX-H | ASS. PORTA SUPERIORE DX 441 COMPLETA DEXION | COMPLETE UPPER RIGHT-HAND 441 DOOR | KOMPLETTE OBERE RECHTSÖFFNENDE 441 TÜR | ENSEMBLE PORTE DROITE SUPERIEUR 441 |
| M140..JH2 | | MPM-SUPDX-J | ASS. PORTA SUPERIORE DX COMPLETA DEXION | COMPLETE UPPER RIGHT-HAND DOOR | KOMPLETTE OBERE RECHTSÖFFNENDE TÜR | ENSEMBLE PORTE DROITE SUPERIEUR |
| M140..AH2 | 33 | MPM-INFDX-A | ASS. PORTA INFERIORE DX 430 COMPLETA DEXION | COMPLETE LOWER RIGHT-HAND 430 DOOR | KOMPLETTE UNTERE RECHTSÖFFNENDE 430 TÜR | ENSEMBLE PORTE DROITE INFERIEUR 430 |
| M140..HH2 | | MPM-INFDX-H | ASS. PORTA INFERIORE DX 441 COMPLETA DEXION | COMPLETE LOWER RIGHT-HAND 441 DOOR | KOMPLETTE UNTERE RECHTSÖFFNENDE 441 TÜR | ENSEMBLE PORTE DROITE INFERIEUR 441 |
| M140..JH2 | | MPM-INFDX-J | ASS. PORTA INFERIORE DX COMPLETA DEXION | COMPLETE LOWER RIGHT-HAND DOOR | KOMPLETTE UNTERE RECHTSÖFFNENDE TÜR | ENSEMBLE PORTE DROITE INFERIEUR |
| M140..A | 34 | 025632-00R | ASS. PORTA DX COMPLETA MBM S4/AL | COMPLETE RIGHT-HAND 430/AL DOOR | KOMPLETTE RECHTSÖFFNENDE 430/AL TÜR | ENSEMBLE PORTE 430/AL DROITE |
| M140..H | | 025600-00R | ASS. PORTA DX COMPLETA MBM 441 | COMPLETE RIGHT-HAND 441 DOOR | KOMPLETTE RECHTSÖFFNENDE 441 TÜR | ENSEMBLE PORTE 441 DROITE |
| M140..J | | 025531-00R | ASS. PORTA DX COMPLETA MBM | COMPLETE RIGHT-HAND DOOR | KOMPLETTE RECHTSÖFFNENDE TÜR | ENSEMBLE PORTE DROITE |
| M140TN...G | 35 | 025745-00R | ASS. PORTA INTERA VETRO TN DX | COMPLETE RIGHT-HAND GLASS-DOOR | KOMPLETTE RECHTSÖFFNENDE GLASTÜR | ENSEMBLE PORTE EN VERRE DROITE |
| M140BT...G | | 025747-00R | ASS. PORTA INTERA VETRO BT DX | COMPLETE RIGHT-HAND GLASS-DOOR (-18°C) | KOMPLETTE RECHTSÖFFNENDE GLASTÜR (-18°C) | ENSEMBLE PORTE EN VERRE (-18°C) DROITE |



| MODELLO MODEL MODELL MODELE | POS. | CODICE CODE KODE CODE | DESCRIZIONE | DESCRIPTION | BESCHREIBUNG | DESCRIPTION |
|--------------------------------------|------|--------------------------------|---|---|--|---|
| M70..., M140... | 1 | 025178-00R | GUARNIZ. MAGNETICA GRIGIA 1328 1474X631 | DOOR SEAL | TUER DICHTUNG | JOINT PORTE |
| M70..., M140... | 2 | 025177-00R | INSERTO SERRATURA DIAM.15 | DOOR-LOCK | TUERSCHLOSS | SERRURE PORTE |
| M70..., M140... | 3 | 022104-00R | CERNIERA PER PORTA | DOOR HINGE | SCHARNIER TÜR | CHARNIÈRE PORTE |
| M70..., M140... | 4 | 022105-00R | TAPPO PER CERNIERA PORTA | DOOR TAP FOR SUPPORT | KUNSTOFF STOPTEN FUER TÜRSCHARNIER | BOUCHON POUR CHARNIÈRE PORTE |
| M70...H, | 5 | 025669-00R | GUARNIZ. MAGNETICA GRIGIA 1328 707X631 | HALF-DOOR SEAL | 1/2 TUER DICHTUNG | JOINT PORTILLON |
| M70...H, | 6 | 025549-00R | PIASTRINA PER SERRATURA MEZZE PORTE | S.STEEL COVER FOR DOOR-LOCK | TUERSCHLOSSBLECH | PLAQUE POUR SERRURE PORTE |
| M70..., M140... | 7 | 013494-00R | SERRATURA CHIAVE UNICA CAT. TONDO | DOOR/DRAWER LOCK | TUER/SCHUBLADE SCHLOSS | SERRURE PORTE/TIROIRE |
| M70...H, M140...H | 8 | 025667-00R | ASS. CERNIERA INTERMEDIA MEZZE PORTE | MIDDLE HINGE (2 HALF-DOOR SET) | MITTLEREN SCHARNIER (2 1/2-TURE MODELL) | CHARNIERE INTERM. (VERSION 2 1/2-PORTES) |
| M70...G, M140...G | 9 | 012731-00R | INTERRUTTORE BIPOLARE LUMINOSO TVF/CN B01 | MAIN SWITCH, GREEN | HAUPTSCHALTER, GRUEN | INTERR.GENERAL VERT |
| M70...G, M140...G | 10 | 025683-00R | BARRA 30 LED LUCE BIANCA | 30-LED WHITE-LIGHT ROD | STANGE 30-LED WEISS LICHT | LAMPE 30-LED ECLAIRAGE |
| M70...G, M140...G | 11 | 025454-00R | PASSACAVO RIGIDO 2952EA00 | CABLE GLAND (BUSH) | KABELVERSCHRAUBUNGEN | SERRE-CABLE |
| M70...G, M140...G | 12 | 025682-00R | ALIMENTATORE AC/DC 230VAC/2 1A S25-12 | 30-LED LIGHT AC/DC-ADAPTER | SPEISEAPPARAT FUER STANGE 30-LED | ALIMENTATEUR POUR LAMPE (30-LED) ECLAIRAGE |
| M70...G, M140...G | 13 | 025749-00R | GUARNIZIONE PORTA VETRO | GLASS-DOOR SEAL | DICHTUNG FUER GLASTUER | JOINT PORTE VITREE |
| M70...G, M140...G | 14 | 025652-00R | STAFFA SUP. L=89 PER PORTA VETRO | UPPER HINGING SUPPORT - GLASS-DOOR | OBERE SCHARNIER HALTERUNG - GLASTUR | SUPPORT CHARNIÈRE SUPÉRIEUR - PORTE EN VERRE |
| M70...G, M140...G | 15 | 025651-00R | STAFFA SUP. L=136 PER PORTA VETRO | UPPER HINGING SUPPORT - GLASS-DOOR | OBERE SCHARNIER HALTERUNG - GLASTUR | SUPPORT CHARNIÈRE SUPÉRIEUR - PORTE EN VERRE |
| M70...G, M140...G | 16 | 025655-00R | BUSSOLA IN PLASTICA PER Basetta | PLASTIC BUSH - UPPER CHROMED SUPPORT | PLASTIK LAGERBUCHSE - OBERE HALTERUNG VERCHROMT | PLASTIQUE JOINT - SUPPORT CHROMÉ SUPÉRIEUR |
| M70...G, M140...G | 17 | 025654-00R | Basetta Passacavo in Zama Cromata | UPPER CHROMED SUPPORT WITH CABLE- HOLE | OBERE HALTERUNG VERCHROMT MIT LOCH FUR KABEL | SUPPORT CHROMÉ SUPÉRIEUR AVEC |
| M70...G, M140...G | 18 | 012257-00R | MANIGLIA CROMATA COMPLETA - FV PORTA VETRO | GLASS-DOOR HANDLE | GLASTUERGRIFF | POIGNEE |



| MODELLO MODEL MODELL MODELE | POS. | CODICE CODE KODE CODE | DESCRIZIONE | DESCRIPTION | BESCHREIBUNG | DESCRIPTION |
|--------------------------------------|------|--------------------------------|---|------------------------|--------------------------------|----------------------------------|
| M70...., M140... | 1 | 025752-00R | SUPPORTO VENTILATORE EVAPORATORE | EVAPORATOR FAN HOLDER | VERDAMPFER VENTILATORHALTERUNG | SUPPORT VENTILATEUR EVAPORATEUR |
| M70...., M140... | 2 | 025753-00R | BASE UNITA' REFRIGERANTE | COOLING UNIT BASE | KUEHLEINHEIT UNTERGESTELL | BASE GROUPE REFRIGERATION |
| M70...., M140... | 3 | 025754-00R | COPERTURA NERA | EVAPORATOR COVER | VERDAMPFERABDECKUNG | COUVERCLE EVAPORATEUR |
| M70...., M140... | 4/1 | 025755-00R | PIASTRINA BLOCCAGGIO COPERTURA PD | COVER LOCKING-PLATE PD | DECKEL LEMMPLATTECHEN PD | PLAQUE BLOCAGE COUVERCLE PD |
| M70...., M140... | 4/2 | 025756-00R | PIASTRINA BLOCCAGGIO COPERTURA PS | COVER LOCKING-PLATE PS | DECKEL LEMMPLATTECHEN PS | PLAQUE BLOCAGE COUVERCLE PS |
| M70...., M140... | 4/3 | 025757-00R | PIASTRINA BLOCCAGGIO COPERTURA AS | COVER LOCKING-PLATE AS | DECKEL LEMMPLATTECHEN AS | PLAQUE BLOCAGE COUVERCLE AS |
| M70...., M140... | 4/4 | 025758-00R | PIASTRINA BLOCCAGGIO COPERTURA AD | COVER LOCKING-PLATE AD | DECKEL LEMMPLATTECHEN AD | PLAQUE BLOCAGE COUVERCLE AD |
| M70...., M140... | 4/5 | 025759-00R | PIASTRINA BLOCCAGGIO COPERTURA AC | COVER LOCKING-PLATE AC | DECKEL LEMMPLATTECHEN AC | PLAQUE BLOCAGE COUVERCLE AC |
| M70TN. 60HZ | 5 | 025767-00R | COMPRESSORE ACC ML60TG 220/230V 50/60HZ | COMPRESSOR | KOMPRESSOR | COMPRESSEUR |
| M70TPJ, M140TN. | | 025772-00R | COMPRESSORE ACC ML 90 TB | COMPRESSOR | KOMPRESSOR | COMPRESSEUR |
| M70TPJ 60HZ, M140TN. 60HZ | | 025768-00R | COMPRESSORE ACC ML90TG 220/230V 50/60HZ | COMPRESSOR | KOMPRESSOR | COMPRESSEUR |
| M70BT., M140TPJ | | 025765-00R | COMPRESSORE ACC MX 21 FB | COMPRESSOR | KOMPRESSOR | COMPRESSEUR |
| M70BT. 60HZ, M140TPJ 60HZ | | 025769-00R | COMPRESSORE ACC MX21FG 220/240V 50/60HZ | COMPRESSOR | KOMPRESSOR | COMPRESSEUR |
| M140BT. | | 025766-00R | COMPRESSORE ACC MS 34 FB | COMPRESSOR | KOMPRESSOR | COMPRESSEUR |
| M140BT. 60HZ | | 025770-00R | COMPRESSORE ACC MS30FG 230V 60HZ | COMPRESSOR | KOMPRESSOR | COMPRESSEUR |
| M70T., M140TN. | 6 | 025773-00R | FILTRO DEIDRATORE 15g | FILTER DRIER | TROCKNER | FILTRE SECHANT |
| M70BT., M140TPJ, M140BT | | 025774-00R | FILTRO DEIDRATORE 30g | FILTER DRIER | TROCKNER | FILTRE SECHANT |
| M70TPJ, M140TN. | 7 | 025775-00R | CONDENSATORE STFT16224 | CONDENSER | VERFLÜSSIGER | CONDENSEUR |
| M70BT., M140TPJ, M140BT | | 025776-00R | CONDENSATORE STFT18227 | CONDENSER | VERFLÜSSIGER | CONDENSEUR |
| M70TN. | | 025777-00R | CONDENSATORE STFT16124 | CONDENSER | VERFLÜSSIGER | CONDENSEUR |
| M70T., M140TN. | 8 | 025761-00R | GRUPPO ELETTROVENTILANTE CF24 | CONDENSER FAN SET | VENTILEINHEIT | GROUPE VENTILATEUR CONDENSEUR |
| M70BT., M140TPJ | | 025762-00R | GRUPPO ELETTROVENTILANTE CF27 | CONDENSER FAN SET | VENTILEINHEIT | GROUPE VENTILATEUR CONDENSEUR |
| M140BT. | | 025763-00R | GRUPPO ELETTROVENTILANTE CF27 18W 34° | CONDENSER FAN SET | VENTILEINHEIT | GROUPE VENTILATEUR CONDENSEUR |
| M70...., M140... | 9 | 025778-00R | VALVOLA DI CARICA SCHRADER CON TUBO | RECHARGE VALVE | SCHRADERVENTIL | SOUPAPE RECHARG. |
| M70TN. | 10 | 025779-00R | EVAPORATORE 2R VERNICIATO | COATED EVAPORATOR | VERDAMPFER LACKIERT | EVAPORATEUR VERNI |
| M70TPJ, M70BT., M140T.. | | 025780-00R | EVAPORATORE 3R VERNICIATO | COATED EVAPORATOR | VERDAMPFER LACKIERT | EVAPORATEUR VERNI |
| M140BT. | | 025781-00R | EVAPORATORE 4R VERNICIATO | COATED EVAPORATOR | VERDAMPFER LACKIERT | EVAPORATEUR VERNI |
| M70.... | 11 | 025782-00R | SERPENTINA EVAPORAZIONE CONDENSA | WATER EVAPORATING COIL | KONDENSATVERDAMPFUNGSSCHLANGE | SERPENTIN EVAPORATION DE L'EAU |
| M140BT. | | 025783-00R | SERPENTINA EVAPORAZIONE CONDENSA NH | WATER EVAPORATING COIL | KONDENSATVERDAMPFUNGSSCHLANGE | SERPENTIN EVAPORATION DE L'EAU |
| M70...., M140... | 12 | 025460-00R | SONDA SN4K20P1 PER AT2 | THERMOSTAT PROBE | TEMPERATURFUEHLER | SONDE DU THERMOSTAT |
| M70...., M140... | | 025461-00R | SONDA SN4K20P2 PER AT2 | THERMOSTAT PROBE | TEMPERATURFUEHLER | SONDE DU THERMOSTAT |
| M70...., M140... | 13 | 025785-00R | MOTORE 230V 43/10W | FAN MOTOR | LUEFTER MOTOR | MOTEUR VENTILATEUR |
| M70T., M140TN. | 14 | 025786-00R | RESISTENZA SBRINAMENTO INOX 350W | DEFROST HEATER | VERDAMPFER-ABTAUHEIZUNG | RESISTANCE DEGIVRAGE EVAPORATEUR |
| M70BT., M140TPJ, M140BT | | 025787-00R | RESISTENZA SBRINAMENTO INOX 600W | DEFROST HEATER | VERDAMPFER-ABTAUHEIZUNG | RESISTANCE DEGIVRAGE EVAPORATEUR |

| MODELLO MODEL MODELL MODELE | POS. | CODICE CODE KODE CODE | DESCRIZIONE | DESCRIPTION | BESCHREIBUNG | DESCRIPTION |
|--------------------------------------|------|--------------------------------|------------------------------|-----------------|-----------------------|---------------------|
| M70T... M140TN. | 15 | 025788-00R | VENTOLA ASPIRANTE 200/31° AL | IMPELLER | LUEFTERFLUEGEL | COURONNE MOBILE |
| M70BT., M140TPJ, M140BT | | 025789-00R | VENTOLA ASPIRANTE 200/19° AL | IMPELLER | LUEFTERFLUEGEL | COURONNE MOBILE |
| M70...., M140... | 16 | 025764-00R | CONNETTORE 6 VIE SERIE 6,3 | 6-WAY CONNECTOR | VERBINDER | CONNECTEUR 6 LIGNES |
| M70...., M140... | 17 | 025790-00R | GUARNIZIONE ARMACELL 12x8 | BASE SEAL | UNTERGESTELL DICHTUNG | JOINT BASE |
| M70TN. | 18 | 025791-00R | TUBO ASPIRAZIONE PL | RETURN PIPE PL | RUECKROHR PL | TUYAU DE RETOUR |
| M70TPJ, M140TN. | | 025792-00R | TUBO ASPIRAZIONE PH | RETURN PIPE PH | RUECKROHR PH | TUYAU DE RETOUR |
| M70BT., M140TPJ | | 025793-00R | TUBO ASPIRAZIONE NL | RETURN PIPE NL | RUECKROHR NL | TUYAU DE RETOUR |
| M140BT. | | 025760-00R | TUBO ASPIRAZIONE NH | RETURN PIPE NH | RUECKROHR NH | TUYAU DE RETOUR |