

| MODELLO<br>MODEL<br>MODELL<br>MODELE | POS.          | CODICE<br>CODE<br>KODE<br>CODE | DESCRIZIONE   | DESCRIPTION  | BESCHREIBUNG  | DESCRIPTION   |
|--------------------------------------|---------------|--------------------------------|---|--|---|---|
| 70...                                | 1             | 025257-00R                     | PROTEZIONE STRUMENTO                                  | INSTRUMENT PROTECTION                                | KONTROLLSCHUTZ  | PROTECTION DE L'INSTRUMENTATION                       |
| 70...                                | 2             | 025704-00R                     | RINF.SERRATURA CRUSCOTTO 700/1400 LT                  | DOOR-LOCK SUPPORT                                    | TUERSCHLOSS HALTERUNG                                   | SUPPORT POUR SERRURE PORTE                            |
| 70...                                | 3             | 025124-00R                     | CAVO ALIM. HO5VV-F 3G1,5 L=3000 CON                   | POWER SUPPLY CORD                                    | SPEISUNGSKABEL  | CORDON D'ALIMENTATION                                 |
| 70...                                | 4             | 025193-00R                     | COPRIFORO ASOLA CRUSCOTTO 700/1400 LT                 | INSTRUMENT PANEL HOLE CAP                            | LOCHVERSCHLUSS FUER<br>INSTRUMENTENTAFEL STAHL          | BOUCHON COUVRE TROU - PANNEAU<br>INSTRUMENTS          |
| 70TPJ, 70BT.                         | 5             | 025454-00R                     | PASSACAVO RIGIDO 2952EA00                             | CABLE GLAND (BUSH)                                   | KABELVERSCHRAUBUNGEN                                    | SERRE-CABLE   |
| 70...                                | 6             | 025063-00R                     | MICROINTERRUTTORE PORTA H3141AAK                      | DOOR MICROSWITCH                                     | MIKROSCHALTER   | MICRO-INTERRUPTEUR PORTE                              |
| 70..A                                | 7             | 025614-00R                     | CRUSCOTTO 700 LT 430                                  | INSTRUMENT 430 STEEL PANEL                           | INSTRUMENTENTAFEL 430-STAHL                             | PANNEAU INSTRUMENTS EN ACIER 430                      |
| 70..H                                |               | 025599-00R                     | CRUSCOTTO 700 LT 441                                  | INSTRUMENT 441 STEEL PANEL                           | INSTRUMENTENTAFEL 441-STAHL                             | PANNEAU INSTRUMENTS EN ACIER 441                      |
| 70..J                                |               | 025181-00R                     | CRUSCOTTO 700 LT                                      | INSTRUMENT S.TEEL PANEL                              | INSTRUMENTENTAFEL STAHL                                 | PANNEAU INSTRUMENTS EN ACIER<br>INOXYDABLE            |
| 70...                                | 8             | 025510-00R                     | FARETTO LED BIANCO GHIERA BRILLANTATA                 | LED SPOT-LIGHT                                       | LED-LAMPE (WEISS LICHT)                                 | LAMPE (LED) ECLAIRAGE                                 |
| 70...                                | 9             | 025684-00R                     | O-RING DIAM. INT. 32MM                                | O-RING   | O-RING  | O-RING  |
| 70...                                | 10            | 025511-00R                     | ALIMENTATORE PER FARETTO                              | SPOT-LIGHT AC/DC-ADAPTER                             | SPEISEAPPARAT FUER LED-LAMPE                            | ALIMENTATEUR POUR LAMPE (LED)<br>ECLAIRAGE            |
| 70...                                | 11            | 013494-00R                     | SERRATURA CHIAVE UNICA CAT. TONDO                     | DOOR/DRAWER LOCK                                     | TUER/SCHUBLADE SCHLOSS                                  | SERRURE PORTE/TIROIRE                                 |
| 70...                                | 12            | 025057-00R                     | TERMOSTATO DIGITALE AT2-5BS4E-AG                      | DIGITAL THERMOSTAT                                   | DIGITAL THERMOSTAT                                      | THERMOSTAT DIGITAL                                    |
| 70...                                | 13            | 025014-00R                     | MEMBRANA OVALE DEXION                                 | DIGITAL CONTROLER OVAL FRAME STICKER                 | FESTKLEBEND SCHILD                                      | ETIQUETTE OVALE                                       |
| 70TN...                              | 14            | 025019-00R                     | ETICHETTA RESINATA 30X10 RANGE -2/+8°C                | TEMPERATURE RANGE STICKER                            | FESTKLEBEND TEMPERATURSCHILD                            | ETIQUETTE TEMPERATURES                                |
| 70TP...                              |               | 025022-00R                     | ETICHETTA RESINATA 30X10 RANGE -6/+6°C                | TEMPERATURE RANGE STICKER                            | FESTKLEBEND TEMPERATURSCHILD                            | ETIQUETTE TEMPERATURES                                |
| 70BT...                              |               | 025020-00R                     | ETICHETTA RESINATA 30X10 RANGE -20/-10°C              | TEMPERATURE RANGE STICKER                            | FESTKLEBEND TEMPERATURSCHILD                            | ETIQUETTE TEMPERATURES                                |
| 70TN.                                | 15<br>(TAV.4) | 025587-00R                     | UNITÀ ST54PLR 700LT -2/+8°C ML60TB R404A              | UNIT ST54PLR 700LT -2/+8°C ML60TB R404A              | EINHEIT ST54PLR 700LT -2/+8°C ML60TB R404A              | UNITE ST54PLR 700LT -2/+8°C ML60TB R404A              |
| 70TN. 60HZ                           |               | 025455-00R                     | UNITÀ ST54PLR 700LT -2/+8°C ML60TG R404A<br>50/60 HZ  | UNIT ST54PLR 700LT -2/+8°C ML60TG R404A<br>50/60 HZ  | EINHEIT ST54PLR 700LT -2/+8°C ML60TG R404A<br>50/60 HZ  | UNITE ST54PLR 700LT -2/+8°C ML60TG R404A<br>50/60 HZ  |
| 70TPJ                                |               | 025588-00R                     | UNITÀ ST54PHR 1400LT-2/+8°C ML90TB R404A              | UNIT ST54PHR 1400LT-2/+8°C ML90TB R404A              | EINHEIT ST54PHR 1400LT-2/+8°C ML90TB R404A              | UNITE ST54PHR 1400LT-2/+8°C ML90TB R404A              |
| 70TPJ 60HZ                           |               | 025456-00R                     | UNITÀ ST54PHR 1400LT -2/+8°C ML90TG R404A<br>50/60 HZ | UNIT ST54PHR 1400LT -2/+8°C ML90TG R404A<br>50/60 HZ | EINHEIT ST54PHR 1400LT -2/+8°C ML90TG<br>R404A 50/60 HZ | UNITE ST54PHR 1400LT -2/+8°C ML90TG R404A<br>50/60 HZ |
| 70BT.                                |               | 025589-00R                     | UNITÀ ST54NLR 700LT -15/-22°C MX21FB                  | UNIT ST54NLR 700LT -15/-22°C MX21FB                  | EINHEIT ST54NLR 700LT -15/-22°C MX21FB                  | UNITE ST54NLR 700LT -15/-22°C MX21FB                  |
| 70BT. 60HZ                           |               | 025457-00R                     | UNITÀ ST54NLR 700LT -15/-22 MX21FG R404A<br>50/60 HZ  | UNIT ST54NLR 700LT -15/-22 MX21FG R404A<br>50/60 HZ  | EINHEIT ST54NLR 700LT -15/-22 MX21FG R404A<br>50/60 HZ  | UNITE ST54NLR 700LT -15/-22 MX21FG R404A<br>50/60 HZ  |
| 70...                                | 16            | 025725-00R                     | KIT VITERIE FISSAGGIO CREMAGLIERE                     | UP-RIGHT SUPPORT SCREWS/FITTINGS KIT                 | SCHRAUBEN SATZ FUR SCHIENENHALTERUNG                    | ENSAMBLE DE VIS POUR SUPPORTES<br>GLISSIÈRES          |
| 70TPJ, 70BT.                         | 17            | 025512-00R                     | CONVOGLIATORE AD ANGOLO IN POLISTIROLO                | CABINET AIR-CONVEYOR                                 | ZELLE-LUFTVERTEILER                                     | CONVOYEUR D'AIR DE CUVE                               |
| 70TPJH,<br>70BT.H..                  | 18            | 025744-00R                     | RES. W 230V CORNICI 700 LT 1/2 PORTE                  | 1/2-DOOR FRAME HEATER                                | TUERRAHMENHEIZUNG                                       | RESISTANCE PORTE                                      |
| 70TPJ, 70BT.                         | 19            | 025465-00R                     | RESISTENZA 20W 230V CORNICI 700 LT                    | DOOR FRAME HEATER                                    | TUERRAHMENHEIZUNG                                       | RESISTANCE PORTE                                      |
| 70...                                | 20            | CG70                           | COPPIA GUIDE DX-SX GN 2/1 700/1400 LT                 | COUPLE OF SLIDES                                     | PAAR GLEITSCHIENEN                                      | PAIRE DE GLISSIÈRES                                   |
| 70...                                | 21            | 025182-00R                     | CREMAGLIERA SUPPORTO GRIGLIE                          | UP-RIGHT SLIDE SUPPORT                               | SCHIENENHALTERUNG                                       | SUPPORT GLISSIÈRE                                     |
| 70... (1)                            |               | 025702-00R                     | CREMAGLIERA SUPPORTO GRIGLIE                          | UP-RIGHT SLIDE SUPPORT                               | SCHIENENHALTERUNG                                       | SUPPORT GLISSIÈRE                                     |
| 70...                                | 22            | 025185-00R                     | COPRITESTA CREMAGLIERA                                | UP-RIGHT SLIDE SUPPORT PLASTIC COVER                 | SCHIENENHALTERUNG                                       | BOUCHON EN PLASTIQUE - SUPPORT<br>GLISSIÈRE           |
| 70...H                               | 23            | 025703-00R                     | CREMAGLIERA SUPPORTO GRIGLIE MEZZE<br>PORTE           | UP-RIGHT SLIDE SUPPORT (2 HALF-DOOR SET)             | SCHIENENHALTERUNG (2 1/2-TURE MODELL)                   | SUPPORT GLISSIÈRE (VERSION 2 1/2-PORTES)              |
| 70..H, 70..A                         | 24            | 025170-00R                     | ASSIEME PIEDE PLASTICA M10 ESC. 115-165               | PLASTIC LEG  | PLASTIKFUSS   | PIED EN PLASTIQUE                                     |
| 70..J                                |               | 025646-00R                     | ASS. PIEDE INOX M10 ESC. 115-165                      | S.STEEL LEG  | INOX FUSSE  | PIED EN ACIER INOXYDABLE                              |
| 70...                                | 25            | 025726-00R                     | KIT STAFFA CERNIERA PORTA<br>(+PERNO+VITERIA)         | DOOR-HINGING SUPPORT KIT (+PIN+SCREWS)               | TURE HALTERUNG SATZ<br>(+BOLZEN+SCHRAUBEN)              | ENSAMBLE DE SUPPORT POUR PORTE, PIVOT,<br>VIS         |
| 70TPJ                                | 26            | 011593-00R                     | FALSO FONDO FORATO BACINELLE GN 1/1                   | GN1/1 TRAY PERFORATED S.STEEL BOTTOM                 | GELOCHTER EINSATZBODEN FUR BEHAELTER<br>GN1/1           | FOND PERFORE POUR BAC GN1/1                           |
| 70TPJ                                | 27            | OA011-12-150                   | BACINELLA GN 1/1 530X325 H150 PST BIANCO              | GN1/1 WHITE PLASTIC TRAY                             | WEISSE PLASTIK BEHAELTER GN1/1                          | BAC BLANC GN1/1                                       |

(1) DA MATR. 351654 (25/03/2009)

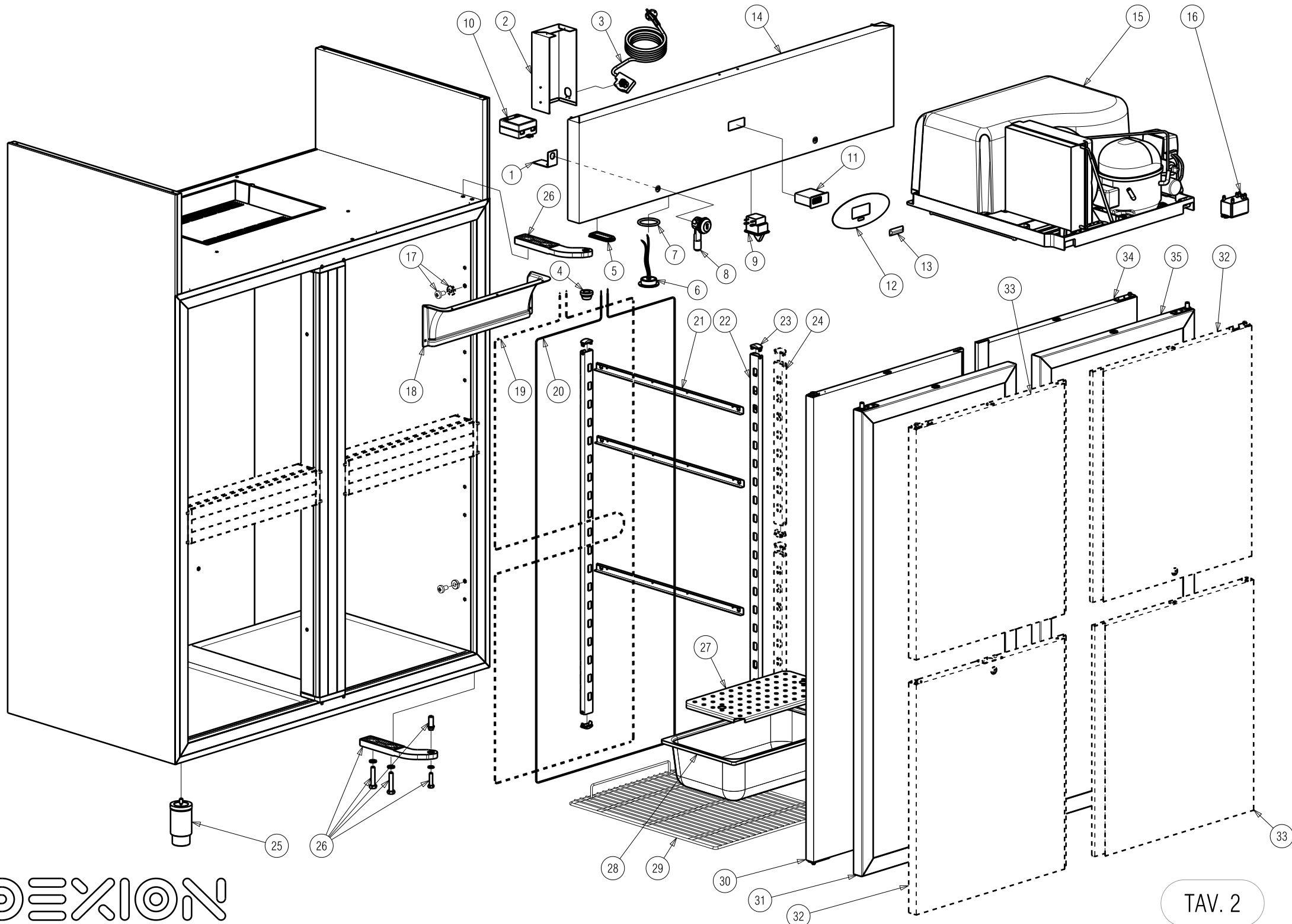
(1) STARTING FROM SN. 351654 (25/03/2009)

(1) VOM SERIEN. 351654 (25/03/2009)

(1) A PARTIR DE MATR. 351654 (25/03/2009)

TAV. 1

| MODELLO<br>MODEL<br>MODELL<br>MODELE | POS. | CODICE<br>CODE<br>KODE<br>CODE | DESCRIZIONE                                 | DESCRIPTION                            | BESCHREIBUNG                             | DESCRIPTION                            |
|--------------------------------------|------|--------------------------------|---|--|--|--|
| 70TN., 70BT.                         | 28   | 025186-00R                     | RIPIANO GRIGLIATO PLASTIFICATO GN 2/1       | PLASTIC-COATED SHELF GN2/1             | REGAL GN2/1 KUNSTSTOFFBESCHICHTET        | CLAYETTE GN2/1 EN PLASTIQUE            |
| 70..A                                | 29   | 025620-00R                     | ASS. PORTA DX COMPLETA DEXION 430/AL        | COMPLETE RIGHT-HAND 430/AL DOOR        | KOMPLETTE RECHTSÖFFNENDE 430/AL TÜR      | ENSEMBLE PORTE 430/AL DROITE           |
| 70..H                                |      | 025595-00R                     | ASS. PORTA DX COMPLETA DEXION 441           | COMPLETE RIGHT-HAND 441 DOOR           | KOMPLETTE RECHTSÖFFNENDE 441 TÜR         | ENSEMBLE PORTE 441 DROITE              |
| 70..J                                |      | 025526-00R                     | ASS. PORTA DX COMPLETA DEXION               | COMPLETE RIGHT-HAND DOOR               | KOMPLETTE RECHTSÖFFNENDE TÜR             | ENSEMBLE PORTE DROITE                  |
| 70TN...G                             | 30   | 025745-00R                     | ASS. PORTA INTERA VETRO TN DX               | COMPLETE RIGHT-HAND GLASS-DOOR         | KOMPLETTE RECHTSÖFFNENDE GLASTÜR         | ENSEMBLE PORTE EN VERRE DROITE         |
| 70BT...G                             |      | 025747-00R                     | ASS. PORTA INTERA VETRO BT DX               | COMPLETE RIGHT-HAND GLASS-DOOR (-18°C) | KOMPLETTE RECHTSÖFFNENDE GLASTÜR (-18°C) | ENSEMBLE PORTE EN VERRE (-18°C) DROITE |
| 70..AH                               | 31   | MP-INFDX-A                     | ASS. PORTA INFERIORE DX 430 COMPLETA DEXION | COMPLETE LOWER RIGHT-HAND 430 DOOR     | KOMPLETTE UNTERE RECHTSÖFFNENDE 430 TÜR  | ENSEMBLE PORTE DROITE INFERIEUR 430    |
| 70..HH                               |      | MP-INFDX-H                     | ASS. PORTA INFERIORE DX 441 COMPLETA DEXION | COMPLETE LOWER RIGHT-HAND 441 DOOR     | KOMPLETTE UNTERE RECHTSÖFFNENDE 441 TÜR  | ENSEMBLE PORTE DROITE INFERIEUR 441    |
| 70..JH                               |      | MP-INFDX-J                     | ASS. PORTA INFERIORE DX COMPLETA DEXION     | COMPLETE LOWER RIGHT-HAND DOOR         | KOMPLETTE UNTERE RECHTSÖFFNENDE TÜR      | ENSEMBLE PORTE DROITE INFERIEUR        |
| 70..AH                               | 32   | MP-SUPDX-A                     | ASS. PORTA SUPERIORE DX 430 COMPLETA DEXION | COMPLETE UPPER RIGHT-HAND 430 DOOR     | KOMPLETTE OBERE RECHTSÖFFNENDE 430 TÜR   | ENSEMBLE PORTE DROITE SUPERIEUR 430    |
| 70..HH                               |      | MP-SUPDX-H                     | ASS. PORTA SUPERIORE DX 441 COMPLETA DEXION | COMPLETE UPPER RIGHT-HAND 441 DOOR     | KOMPLETTE OBERE RECHTSÖFFNENDE 441 TÜR   | ENSEMBLE PORTE DROITE SUPERIEUR 441    |
| 70..JH                               |      | MP-SUPDX-J                     | ASS. PORTA SUPERIORE DX COMPLETA DEXION     | COMPLETE UPPER RIGHT-HAND DOOR         | KOMPLETTE OBERE RECHTSÖFFNENDE TÜR       | ENSEMBLE PORTE DROITE SUPERIEUR        |



| MODELLO<br>MODEL<br>MODELL<br>MODELE | POS.          | CODICE<br>CODE<br>KODE<br>CODE | DESCRIZIONE   | DESCRIPTION  | BESCHREIBUNG  | DESCRIPTION   |
|--------------------------------------|---------------|--------------------------------|---|--|---|---|
| 140...                               | 1             | 025704-00R                     | RINF.SERRATURA CRUSCOTTO 700/1400 LT                  | DOOR-LOCK SUPPORT                                    | TUERSCHLOSS HALTERUNG                                   | SUPPORT POUR SERRURE PORTE                            |
| 140...                               | 2             | 025257-00R                     | PROTEZIONE STRUMENTO                                  | INSTRUMENT PROTECTION                                | KONTROLLSCHUTZ  | PROTECTION DE L'INSTRUMENTATION                       |
| 140...                               | 3             | 025124-00R                     | CAVO ALIM. HO5VV-F 3G1,5 L=3000 CON                   | POWER SUPPLY CORD                                    | SPEISUNGSKABEL  | CORDON D'ALIMENTATION                                 |
| 140TPJ.,<br>140BT..                  | 4             | 025454-00R                     | PASSACAVO RIGIDO 2952EA00                             | CABLE GLAND (BUSH)                                   | KABELVERSCHRAUBUNGEN                                    | SERRE-CABLE   |
| 140...                               | 5             | 025193-00R                     | COPRIFORO ASOLA CRUSCOTTO 700/1400 LT                 | INSTRUMENT PANEL HOLE CAP                            | LOCHVERSCHLUSS FUER<br>INSTRUMENTENTAFEL STAHL          | BOUCHON COUVRE TROU - PANNEAU<br>INSTRUMENTS          |
| 140...                               | 6             | 025510-00R                     | FARETTO LED BIANCO GHIERA BRILLANTATA                 | LED SPOT-LIGHT                                       | LED-LAMPE (WEISS LICHT)                                 | LAMPE (LED) ECLAIRAGE                                 |
| 140...                               | 7             | 025684-00R                     | O-RING DIAM. INT. 32MM                                | O-RING   | O-RING  | O-RING  |
| 140...                               | 8             | 013494-00R                     | SERRATURA CHIAVE UNICA CAT. TONDO                     | DOOR/DRAWER LOCK                                     | TUER/SCHUBLADE SCHLOSS                                  | SERRURE PORTE/TIROIRE                                 |
| 140...                               | 9             | 025063-00R                     | MICROINTERRUTTORE PORTA H3141AAK                      | DOOR MICROSWITCH                                     | MIKROSCHALTER   | MICRO-INTERRUPTEUR PORTE                              |
| 140...                               | 10            | 025511-00R                     | ALIMENTATORE PER FARETTO                              | SPOT-LIGHT AC/DC-ADAPTER                             | SPEISEAPPARAT FUER LED-LAMPE                            | ALIMENTATEUR POUR LAMPE (LED)<br>ECLAIRAGE            |
| 140...                               | 11            | 025057-00R                     | TERMOSTATO DIGITALE AT2-5BS4E-AG                      | DIGITAL THERMOSTAT                                   | DIGITAL THERMOSTAT                                      | THERMOSTAT DIGITAL                                    |
| 140...                               | 12            | 025014-00R                     | MEMBRANA OVALE DEXION                                 | DIGITAL CONTROLER OVAL FRAME STICKER                 | FESTKLEBEND SCHILD                                      | ETIQUETTE OVALE                                       |
| 140TN...                             | 13            | 025019-00R                     | ETICHETTA RESINATA 30X10 RANGE -2/+8°C                | TEMPERATURE RANGE STICKER                            | FESTKLEBEND TEMPERATURSCHILD                            | ETIQUETTE TEMPERATURES                                |
| 140TP...                             |               | 025022-00R                     | ETICHETTA RESINATA 30X10 RANGE -6/+6°C                | TEMPERATURE RANGE STICKER                            | FESTKLEBEND TEMPERATURSCHILD                            | ETIQUETTE TEMPERATURES                                |
| 140BT...                             |               | 025020-00R                     | ETICHETTA RESINATA 30X10 RANGE -20/-10°C              | TEMPERATURE RANGE STICKER                            | FESTKLEBEND TEMPERATURSCHILD                            | ETIQUETTE TEMPERATURES                                |
| 140..A                               | 14            | 025615-00R                     | CRUSCOTTO 1400 LT 430                                 | INSTRUMENT 430 STEEL PANEL                           | INSTRUMENTENTAFEL 430-STAHL                             | PANNEAU INSTRUMENTS EN ACIER 430                      |
| 140..H                               |               | 025613-00R                     | CRUSCOTTO 1400 LT 441                                 | INSTRUMENT 441 STEEL PANEL                           | INSTRUMENTENTAFEL 441-STAHL                             | PANNEAU INSTRUMENTS EN ACIER 441                      |
| 140..J                               |               | 025274-00R                     | CRUSCOTTO 1400 LT                                     | INSTRUMENT S.TEEL PANEL                              | INSTRUMENTENTAFEL STAHL                                 | PANNEAU INSTRUMENTS EN ACIER                          |
| 140TN.                               | 15<br>(TAV.4) | 025588-00R                     | UNITÀ ST54PHR 1400LT-2/+8°C ML90TB R404A              | UNIT ST54PHR 1400LT-2/+8°C ML90TB R404A              | EINHEIT ST54PHR 1400LT-2/+8°C ML90TB R404A              | UNITE ST54PHR 1400LT-2/+8°C ML90TB R404A              |
| 140TN. 60HZ                          |               | 025456-00R                     | UNITÀ ST54PHR 1400LT -2/+8°C ML90TG R404A<br>50/60 HZ | UNIT ST54PHR 1400LT -2/+8°C ML90TG R404A<br>50/60 HZ | EINHEIT ST54PHR 1400LT -2/+8°C ML90TG<br>R404A 50/60 HZ | UNITE ST54PHR 1400LT -2/+8°C ML90TG R404A<br>50/60 HZ |
| 140TPJ                               |               | 025589-00R                     | UNITÀ ST54NLR 700LT -15/-22°C MX21FB                  | UNIT ST54NLR 700LT -15/-22°C MX21FB                  | EINHEIT ST54NLR 700LT -15/-22°C MX21FB                  | UNITE ST54NLR 700LT -15/-22°C MX21FB                  |
| 140TPJ 60HZ                          |               | 025457-00R                     | UNITÀ ST54NLR 700LT -15/-22 MX21FG R404A<br>50/60 HZ  | UNIT ST54NLR 700LT -15/-22 MX21FG R404A<br>50/60 HZ  | EINHEIT ST54NLR 700LT -15/-22 MX21FG R404A<br>50/60 HZ  | UNITE ST54NLR 700LT -15/-22 MX21FG R404A<br>50/60 HZ  |
| 140BT.                               |               | 025590-00R                     | UNITÀ ST54NHR 1400LT -15/-22°C MS34FB                 | UNIT ST54NHR 1400LT -15/-22°C MS34FB                 | EINHEIT ST54NHR 1400LT -15/-22°C MS34FB                 | UNITE ST54NHR 1400LT -15/-22°C MS34FB                 |
| 140BT. 60HZ                          |               | 025459-00R                     | UNITÀ ST54NHR 1400LT -15/-22 MS30FG R404A<br>60 HZ    | UNIT ST54NHR 1400LT -15/-22 MS30FG R404A 60<br>HZ    | EINHEIT ST54NHR 1400LT -15/-22 MS30FG<br>R404A 60 HZ    | UNITE ST54NHR 1400LT -15/-22 MS30FG R404A<br>60 HZ    |
| 140BT.                               | 16            | 022547-00R                     | RELE' DI POTENZA FINDER 30A PER AB                    | RELAY  | RELAIS  | RELAIS  |
| 140...                               | 17            | 025725-00R                     | KIT VITERIE FISSAGGIO CREMAGLIERE                     | UP-RIGHT SUPPORT SCREWS/FITTINGS KIT                 | SCHRAUBEN SATZ FUR SCHIENENHALTERUNG                    | ENSAMBLE DE VIS POUR SUPPORTES<br>GLISSIÈRES          |
| 140TPJ,<br>140BT.                    | 18            | 025512-00R                     | CONVOGLIATORE AD ANGOLO IN POLISTIROLO                | CABINET AIR-CONVEYOR                                 | ZELLE-LUFTVERTEILER                                     | CONVOYEUR D'AIR DE CUVE                               |
| 140TPJH2,<br>140BT.H2                | 19            | 025744-00R                     | RES. W 230V CORNICI 700 LT 1/2 PORTE                  | 1/2-DOOR FRAME HEATER                                | TUERRAHMENHEIZUNG                                       | RESISTANCE PORTE                                      |
| 140TPJ,<br>140BT.                    | 20            | 025465-00R                     | RESISTENZA 20W 230V CORNICI 700 LT                    | DOOR FRAME HEATER                                    | TUERRAHMENHEIZUNG                                       | RESISTANCE PORTE                                      |
| 140...                               | 21            | CG70                           | COPPIA GUIDE DX-SX GN 2/1 700/1400 LT                 | COUPLE OF SLIDES                                     | PAAR GLEITSCHIENEN                                      | PAIRE DE GLISSIÈRES                                   |
| 140...                               | 22            | 025182-00R                     | CREMAGLIERA SUPPORTO GRIGLIE                          | UP-RIGHT SLIDE SUPPORT                               | SCHIENENHALTERUNG                                       | SUPPORT GLISSIÈRE                                     |
| 140... (1)                           |               | 025702-00R                     | CREMAGLIERA SUPPORTO GRIGLIE                          | UP-RIGHT SLIDE SUPPORT                               | SCHIENENHALTERUNG                                       | SUPPORT GLISSIÈRE                                     |
| 140...                               | 23            | 025185-00R                     | COPRITESTA CREMAGLIERA                                | UP-RIGHT SLIDE SUPPORT PLASTIC COVER                 | SCHIENENHALTERUNG                                       | BOUCHON EN PLASTIQUE - SUPPORT<br>GLISSIÈRE           |
| 140...H2                             | 24            | 025703-00R                     | CREMAGLIERA SUPPORTO GRIGLIE MEZZE<br>PORTE           | UP-RIGHT SLIDE SUPPORT (2 HALF-DOOR SET)             | SCHIENENHALTERUNG (2 1/2-TURE MODELL)                   | SUPPORT GLISSIÈRE (VERSION 2 1/2-PORTE)               |
| 140..H, 140..A                       | 25            | 025170-00R                     | ASSIEME PIEDE PLASTICA M10 ESC. 115-165               | PLASTIC LEG  | PLASTIKFUSS   | PIED EN PLASTIQUE                                     |
| 140..J                               |               | 025646-00R                     | ASS. PIEDE INOX M10 ESC. 115-165                      | S.STEEL LEG  | INOX FUSSE  | PIED EN ACIER INOXYDABLE                              |
| 140...                               | 26            | 025726-00R                     | KIT STAFFA CERNIERA PORTA<br>(+PERNO+VITERIA)         | DOOR-HINGING SUPPORT KIT (+PIN+SCREWS)               | TURE HALTERUNG SATZ<br>(+BOLZEN+SCHRAUBEN)              | ENSAMBLE DE SUPPORT POUR PORTE, PIVOT,<br>VIS         |

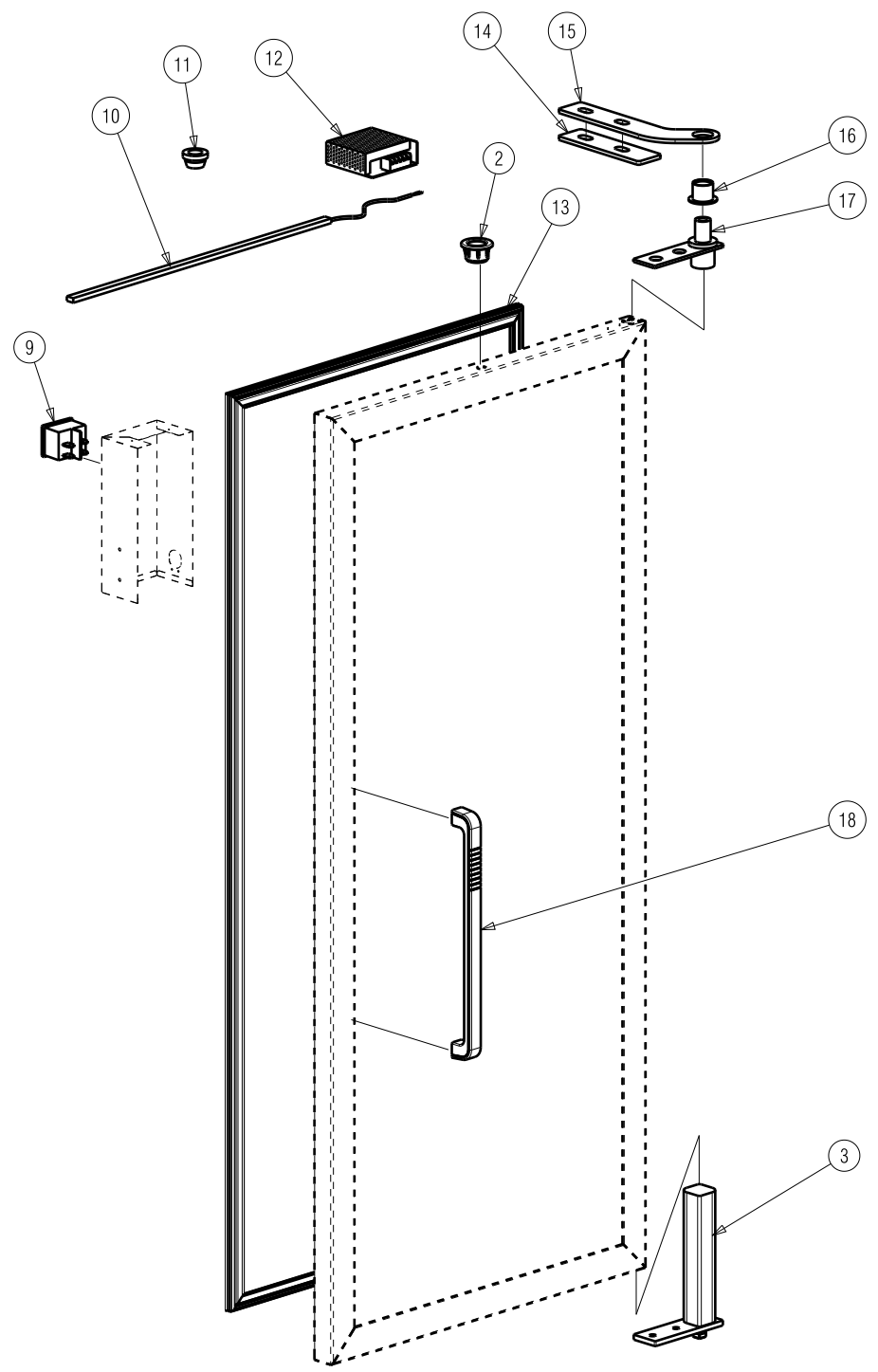
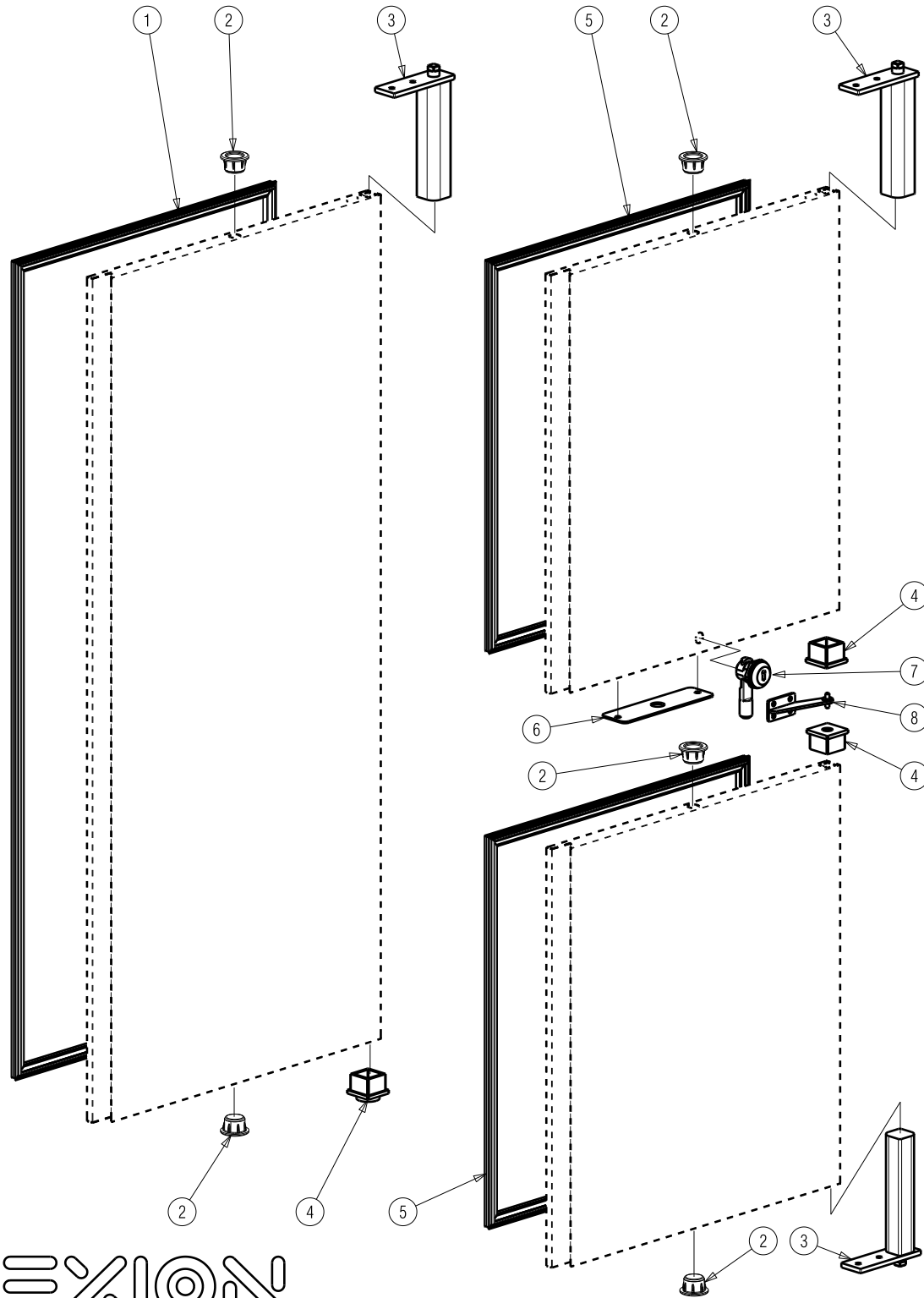
(1) DA MATR. 351654 (25/03/2009)

(1) STARTING FROM SN. 351654 (25/03/2009)

(1) VOM SERIEN. 351654 (25/03/2009)

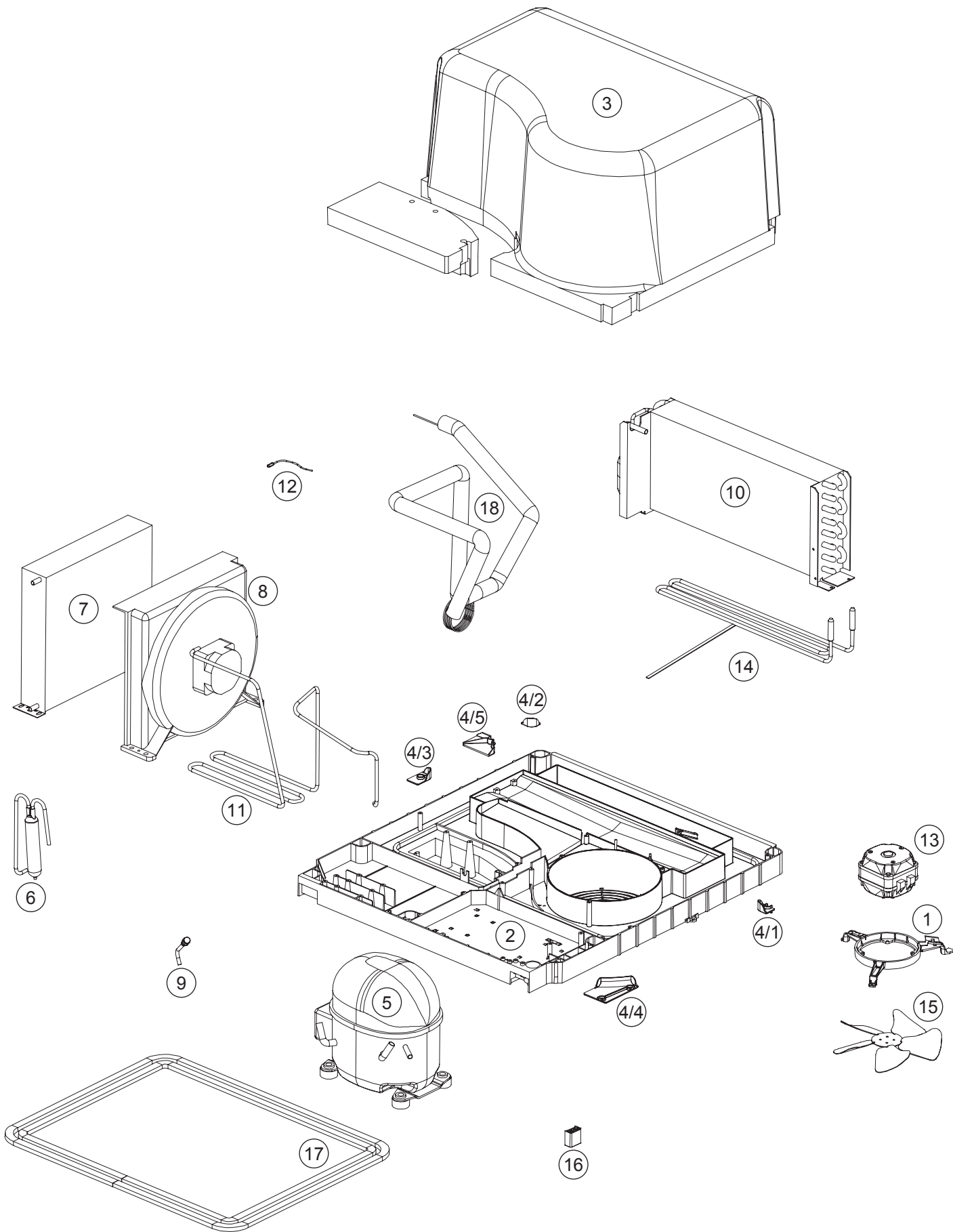
(1) A PARTIR DE MATR. 351654 (25/03/2009)

| MODELLO<br>MODEL<br>MODELL<br>MODELE | POS. | CODICE<br>CODE<br>KODE<br>CODE | DESCRIZIONE                                 | DESCRIPTION                            | BESCHREIBUNG                              | DESCRIPTION                            |
|--------------------------------------|------|--------------------------------|---|--|---|--|
| 140TPJ                               | 27   | 011593-00R                     | FALSO FONDO FORATO BACINELLE GN 1/1         | GN1/1 TRAY PERFORATED S.STEEL BOTTOM   | GELOCHTER EINSATZBODEN FÜR BEHÄLTER GN1/1 | FOND PERFORE POUR BAC GN1/1            |
| 140TPJ                               | 28   | OA011-12-150                   | BACINELLA GN 1/1 530X325 H150 PST BIANCO    | GN1/1 WHITE PLASTIC TRAY               | WEISSE PLASTIK BEHÄLTER GN1/1             | BAC BLANC GN1/1                        |
| 140TN.,<br>140BT.                    | 29   | 025186-00R                     | RIPIANO GRIGLIATO PLASTIFICATO GN 2/1       | PLASTIC-COATED SHELF GN2/1             | REGAL GN2/1 KUNSTSTOFFBESCHICHTET         | CLAYETTE GN2/1 EN PLASTIQUE            |
| 140..A                               | 30   | 025621-00R                     | ASS. PORTA SX COMPLETA DEXION 430/AL        | COMPLETE LEFT-HAND 430/AL DOOR         | KOMPLETTE LINKSÖFFNENDE 430/AL TÜR        | ENSEMBLE PORTE 430/AL GAUCHE           |
| 140..H                               | 30   | 025598-00R                     | ASS. PORTA SX COMPLETA DEXION 441           | COMPLETE LEFT-HAND 441 DOOR            | KOMPLETTE LINKSÖFFNENDE 441 TÜR           | ENSEMBLE PORTE 441 GAUCHE              |
| 140..J                               |      | 025530-00R                     | ASS. PORTA SX COMPLETA DEXION               | COMPLETE LEFT-HAND DOOR                | KOMPLETTE LINKSÖFFNENDE TÜR               | ENSEMBLE PORTE GAUCHE                  |
| 140TN...G                            | 31   | 025746-00R                     | ASS. PORTA INTERA VETRO TN SX               | COMPLETE LEFT-HAND GLASS-DOOR          | KOMPLETTE LINKSÖFFNENDE GLASTÜR           | ENSEMBLE PORTE EN VERRE GAUCHE         |
| 140BT...G                            |      | 025748-00R                     | ASS. PORTA INTERA VETRO BT SX               | COMPLETE LEFT-HAND GLASS-DOOR (-18°C)  | KOMPLETTE LINKSÖFFNENDE GLASTÜR (-18°C)   | ENSEMBLE PORTE EN VERRE (-18°C) GAUCHE |
| 140..AH2                             | 32   | MP-SUPDX-A                     | ASS. PORTA SUPERIORE DX 430 COMPLETA DEXION | COMPLETE UPPER RIGHT-HAND 430 DOOR     | KOMPLETTE OBERE RECHTSÖFFNENDE 430 TÜR    | ENSEMBLE PORTE DROITE SUPERIEUR 430    |
| 140..HH2                             |      | MP-SUPDX-H                     | ASS. PORTA SUPERIORE DX 441 COMPLETA DEXION | COMPLETE UPPER RIGHT-HAND 441 DOOR     | KOMPLETTE OBERE RECHTSÖFFNENDE 441 TÜR    | ENSEMBLE PORTE DROITE SUPERIEUR 441    |
| 140..JH2                             |      | MP-SUPDX-J                     | ASS. PORTA SUPERIORE DX COMPLETA DEXION     | COMPLETE UPPER RIGHT-HAND DOOR         | KOMPLETTE OBERE RECHTSÖFFNENDE TÜR        | ENSEMBLE PORTE DROITE SUPERIEUR        |
| 140..AH2                             | 33   | MP-INFDX-A                     | ASS. PORTA INFERIORE DX 430 COMPLETA DEXION | COMPLETE LOWER RIGHT-HAND 430 DOOR     | KOMPLETTE UNTERE RECHTSÖFFNENDE 430 TÜR   | ENSEMBLE PORTE DROITE INFERIEUR 430    |
| 140..HH2                             |      | MP-INFDX-H                     | ASS. PORTA INFERIORE DX 441 COMPLETA DEXION | COMPLETE LOWER RIGHT-HAND 441 DOOR     | KOMPLETTE UNTERE RECHTSÖFFNENDE 441 TÜR   | ENSEMBLE PORTE DROITE INFERIEUR 441    |
| 140..JH2                             |      | MP-INFDX-J                     | ASS. PORTA INFERIORE DX COMPLETA DEXION     | COMPLETE LOWER RIGHT-HAND DOOR         | KOMPLETTE UNTERE RECHTSÖFFNENDE TÜR       | ENSEMBLE PORTE DROITE INFERIEUR        |
| 140..A                               | 34   | 025620-00R                     | ASS. PORTA DX COMPLETA DEXION 430/AL        | COMPLETE RIGHT-HAND 430/AL DOOR        | KOMPLETTE RECHTSÖFFNENDE 430/AL TÜR       | ENSEMBLE PORTE 430/AL DROITE           |
| 140..H                               |      | 025595-00R                     | ASS. PORTA DX COMPLETA DEXION 441           | COMPLETE RIGHT-HAND 441 DOOR           | KOMPLETTE RECHTSÖFFNENDE 441 TÜR          | ENSEMBLE PORTE 441 DROITE              |
| 140..J                               |      | 025526-00R                     | ASS. PORTA DX COMPLETA DEXION               | COMPLETE RIGHT-HAND DOOR               | KOMPLETTE RECHTSÖFFNENDE TÜR              | ENSEMBLE PORTE DROITE                  |
| 140TN...G                            | 35   | 025745-00R                     | ASS. PORTA INTERA VETRO TN DX               | COMPLETE RIGHT-HAND GLASS-DOOR         | KOMPLETTE RECHTSÖFFNENDE GLASTÜR          | ENSEMBLE PORTE EN VERRE DROITE         |
| 140BT...G                            |      | 025747-00R                     | ASS. PORTA INTERA VETRO BT DX               | COMPLETE RIGHT-HAND GLASS-DOOR (-18°C) | KOMPLETTE RECHTSÖFFNENDE GLASTÜR (-18°C)  | ENSEMBLE PORTE EN VERRE (-18°C) DROITE |



| MODELLO<br>MODEL<br>MODELL<br>MODELE | POS. | CODICE<br>CODE<br>KODE<br>CODE | DESCRIZIONE                                | DESCRIPTION                           | BESCHREIBUNG                                    | DESCRIPTION                                  |
|--------------------------------------|------|--------------------------------|--|---------------------------------------|---|--|
| 70..., 140...                        | 1    | 025178-00R                     | GUARNIZ. MAGNETICA GRIGIA 1328 1474X631    | DOOR SEAL                             | TUER DICHTUNG                                   | JOINT PORTE                                  |
| 70..., 140...                        | 2    | 025177-00R                     | INSERTO SERRATURA DIAM.15                  | DOOR-LOCK                             | TUERSCHLOSS                                     | SERRURE PORTE                                |
| 70..., 140...                        | 3    | 022104-00R                     | CERNIERA PER PORTA                         | DOOR HINGE                            | SCHARNIER TÜR                                   | CHARNIÈRE PORTE                              |
| 70..., 140...                        | 4    | 022105-00R                     | TAPPO PER CERNIERA PORTA                   | DOOR TAP FOR SUPPORT                  | KUNSTOFF STOPTEN FUER TÜRSCHARNIER              | BOUCHON POUR CHARNIÈRE PORTE                 |
| 70...H, 140...H                      | 5    | 025669-00R                     | GUARNIZ. MAGNETICA GRIGIA 1328 707X631     | HALF-DOOR SEAL                        | 1/2 TUER DICHTUNG                               | JOINT PORTILLON                              |
| 70...H, 140...H                      | 6    | 025549-00R                     | PIASTRINA PER SERRATURA MEZZE PORTE        | S.STEEL COVER FOR DOOR-LOCK           | TUERSCHLOSSBLECH                                | PLAQUE POUR SERRURE PORTE                    |
| 70..., 140...                        | 7    | 013494-00R                     | SERRATURA CHIAVE UNICA CAT. TONDO          | DOOR/DRAWER LOCK                      | TUER/SCHUBLADE SCHLOSS                          | SERRURE PORTE/TIROIRE                        |
| 70...H, 140...H                      | 8    | 025667-00R                     | ASS. CERNIERA INTERMEDIA MEZZE PORTE       | MIDDLE HINGE (2 HALF-DOOR SET)        | MITTLEREN SCHARNIER (2 1/2-TURE MODELL)         | CHARNIERE INTERM. (VERSION 2 1/2-PORTES)     |
| 70...G, 140...G                      | 9    | 012731-00R                     | INTERRUTTORE BIPOLARE LUMINOSO TVF/CN B01  | MAIN SWITCH, GREEN                    | HAUPTSCHALTER, GRUEN                            | INTERR.GENERAL VERT                          |
| 70...G, 140...G                      | 10   | 025683-00R                     | BARRA 30 LED LUCE BIANCA                   | 30-LED WHITE-LIGHT ROD                | STANGE 30-LED WEISS LICHT                       | LAMPE 30-LED ECLAIRAGE                       |
| 70...G, 140...G                      | 11   | 025454-00R                     | PASSACAVO RIGIDO 2952EA00                  | CABLE GLAND (BUSH)                    | KABELVERSCHRAUBUNGEN                            | SERRE-CABLE                                  |
| 70...G, 140...G                      | 12   | 025682-00R                     | ALIMENTATORE AC/DC 230VAC/2 1A S25-12      | 30-LED LIGHT AC/DC-ADAPTER            | SPEISEAPPARAT FUER STANGE 30-LED                | ALIMENTATEUR POUR LAMPE (30-LED) ECLAIRAGE   |
| 70...G, 140...G                      | 13   | 025749-00R                     | GUARNIZIONE PORTA VETRO                    | GLASS-DOOR SEAL                       | DICHTUNG FUER GLASTUER                          | JOINT PORTE VITREE                           |
| 70...G, 140...G                      | 14   | 025652-00R                     | STAFFA SUP. L=89 PER PORTA VETRO           | UPPER HINGING SUPPORT - GLASS-DOOR    | OBERE SCHARNIER HALTERUNG - GLASTUR             | SUPPORT CHARNIÈRE SUPÉRIEUR - PORTE EN VERRE |
| 70...G, 140...G                      | 15   | 025651-00R                     | STAFFA SUP. L=136 PER PORTA VETRO          | UPPER HINGING SUPPORT - GLASS-DOOR    | OBERE SCHARNIER HALTERUNG - GLASTUR             | SUPPORT CHARNIÈRE SUPÉRIEUR - PORTE EN VERRE |
| 70...G, 140...G                      | 16   | 025655-00R                     | BUSSOLA IN PLASTICA PER BASETTA            | PLASTIC BUSH - UPPER CHROMED SUPPORT  | PLASTIK LAGERBUCHSE - OBERE HALTERUNG VERCHROMT | PLASTIQUE JOINT - SUPPORT CHROMÉ SUPÉRIEUR   |
| 70...G, 140...G                      | 17   | 025654-00R                     | BASETTA PASSACAVO IN ZAMA CROMATA          | UPPER CHROMED SUPPORT WITH CABLE-HOLE | OBERE HALTERUNG VERCHROMT MIT LOCH FUR KABEL    | SUPPORT CHROMÉ SUPÉRIEUR AVEC                |
| 70...G, 140...G                      | 18   | 012257-00R                     | MANIGLIA CROMATA COMPLETA - FV PORTA VETRO | GLASS-DOOR HANDLE                     | GLASTUERGRIFF                                   | POIGNEE                                      |





| MODELLO<br>MODEL<br>MODELL<br>MODELE | POS. | CODICE<br>CODE<br>KODE<br>CODE | DESCRIZIONE                             | DESCRIPTION            | BESCHREIBUNG                   | DESCRIPTION                      |
|--------------------------------------|------|--------------------------------|---|------------------------|--------------------------------|----------------------------------|
| 70..., 140...                        | 1    | 025752-00R                     | SUPPORTO VENTILATORE EVAPORATORE        | EVAPORATOR FAN HOLDER  | VERDAMPFER VENTILATORHALTERUNG | SUPPORT VENTILATEUR EVAPORATEUR  |
| 70..., 140...                        | 2    | 025753-00R                     | BASE UNITA' REFRIGERANTE                | COOLING UNIT BASE      | KUEHLEINHEIT UNTERGESTELL      | BASE GROUPE REFRIGERATION        |
| 70..., 140...                        | 3    | 025754-00R                     | COPERTURA NERA                          | EVAPORATOR COVER       | VERDAMPFERABDECKUNG            | COUVERCLE EVAPORATEUR            |
| 70..., 140...                        | 4/1  | 025755-00R                     | PIASTRINA BLOCCAGGIO COPERTURA PD       | COVER LOCKING-PLATE PD | DECKEL LEMMPLATTECHEN PD       | PLAQUE BLOCAGE COUVERCLE PD      |
| 70..., 140...                        | 4/2  | 025756-00R                     | PIASTRINA BLOCCAGGIO COPERTURA PS       | COVER LOCKING-PLATE PS | DECKEL LEMMPLATTECHEN PS       | PLAQUE BLOCAGE COUVERCLE PS      |
| 70..., 140...                        | 4/3  | 025757-00R                     | PIASTRINA BLOCCAGGIO COPERTURA AS       | COVER LOCKING-PLATE AS | DECKEL LEMMPLATTECHEN AS       | PLAQUE BLOCAGE COUVERCLE AS      |
| 70..., 140...                        | 4/4  | 025758-00R                     | PIASTRINA BLOCCAGGIO COPERTURA AD       | COVER LOCKING-PLATE AD | DECKEL LEMMPLATTECHEN AD       | PLAQUE BLOCAGE COUVERCLE AD      |
| 70..., 140...                        | 4/5  | 025759-00R                     | PIASTRINA BLOCCAGGIO COPERTURA AC       | COVER LOCKING-PLATE AC | DECKEL LEMMPLATTECHEN AC       | PLAQUE BLOCAGE COUVERCLE AC      |
| 70TN.                                | 5    | 025771-00R                     | COMPRESSORE ACC ML 60 TB                | COMPRESSOR             | KOMPRESSOR                     | COMPRESSEUR                      |
| 70TN. 60HZ                           |      | 025767-00R                     | COMPRESSORE ACC ML60TG 220/230V 50/60HZ | COMPRESSOR             | KOMPRESSOR                     | COMPRESSEUR                      |
| 70TPJ, 140TN.                        |      | 025772-00R                     | COMPRESSORE ACC ML 90 TB                | COMPRESSOR             | KOMPRESSOR                     | COMPRESSEUR                      |
| 70TPJ 60HZ,<br>140TN. 60HZ           |      | 025768-00R                     | COMPRESSORE ACC ML90TG 220/230V 50/60HZ | COMPRESSOR             | KOMPRESSOR                     | COMPRESSEUR                      |
| 70BT., 140TPJ                        |      | 025765-00R                     | COMPRESSORE ACC MX 21 FB                | COMPRESSOR             | KOMPRESSOR                     | COMPRESSEUR                      |
| 70BT. 60HZ,<br>140TPJ 60HZ           |      | 025769-00R                     | COMPRESSORE ACC MX21FG 220/240V 50/60HZ | COMPRESSOR             | KOMPRESSOR                     | COMPRESSEUR                      |
| 140BT.                               |      | 025766-00R                     | COMPRESSORE ACC MS 34 FB                | COMPRESSOR             | KOMPRESSOR                     | COMPRESSEUR                      |
| 140BT. 60HZ                          |      | 025770-00R                     | COMPRESSORE ACC MS30FG 230V 60HZ        | COMPRESSOR             | KOMPRESSOR                     | COMPRESSEUR                      |
| 70T..., 140TN.                       | 6    | 025773-00R                     | FILTRO DEIDRATORE 15g                   | FILTER DRIER           | TROCKNER                       | FILTRE SECHANT                   |
| 70BT., 140TPJ,<br>140BT              |      | 025774-00R                     | FILTRO DEIDRATORE 30g                   | FILTER DRIER           | TROCKNER                       | FILTRE SECHANT                   |
| 70TPJ, 140TN.                        | 7    | 025775-00R                     | CONDENSATORE STFT16224                  | CONDENSER              | VERFLÜSSIGER                   | CONDENSEUR                       |
| 70BT., 140TPJ,<br>140BT              |      | 025776-00R                     | CONDENSATORE STFT18227                  | CONDENSER              | VERFLÜSSIGER                   | CONDENSEUR                       |
| 70TN.                                |      | 025777-00R                     | CONDENSATORE STFT16124                  | CONDENSER              | VERFLÜSSIGER                   | CONDENSEUR                       |
| 70T..., 140TN.                       | 8    | 025761-00R                     | GRUPPO ELETTROVENTILANTE CF24           | CONDENSER FAN SET      | VENTILEINHEIT                  | GROUPE VENTILATEUR CONDENSEUR    |
| 70BT., 140TPJ                        |      | 025762-00R                     | GRUPPO ELETTROVENTILANTE CF27           | CONDENSER FAN SET      | VENTILEINHEIT                  | GROUPE VENTILATEUR CONDENSEUR    |
| 140BT.                               |      | 025763-00R                     | GRUPPO ELETTROVENTILANTE CF27 18W 34°   | CONDENSER FAN SET      | VENTILEINHEIT                  | GROUPE VENTILATEUR CONDENSEUR    |
| 70..., 140...                        | 9    | 025778-00R                     | VALVOLA DI CARICA SCHRADER CON TUBO     | RECHARGE VALVE         | SCHRADERVENTIL                 | SOUPAPE RECHARG.                 |
| 70TN.                                | 10   | 025779-00R                     | EVAPORATORE 2R VERNICIATO               | COATED EVAPORATOR      | VERDAMPFER LACKIERT            | EVAPORATEUR VERNI                |
| 70TPJ, 70BT.,<br>140T..              |      | 025780-00R                     | EVAPORATORE 3R VERNICIATO               | COATED EVAPORATOR      | VERDAMPFER LACKIERT            | EVAPORATEUR VERNI                |
| 140BT.                               |      | 025781-00R                     | EVAPORATORE 4R VERNICIATO               | COATED EVAPORATOR      | VERDAMPFER LACKIERT            | EVAPORATEUR VERNI                |
| 70..., 140T..                        | 11   | 025782-00R                     | SERPENTINA EVAPORAZIONE CONDENSA        | WATER EVAPORATING COIL | KONDENSATVERDAMPFUNGSSCHLANGE  | SERPENTIN ÉVAPORATION DE L'EAU   |
| 140BT.                               |      | 025783-00R                     | SERPENTINA EVAPORAZIONE CONDENSA NH     | WATER EVAPORATING COIL | KONDENSATVERDAMPFUNGSSCHLANGE  | SERPENTIN ÉVAPORATION DE L'EAU   |
| 70..., 140...                        | 12   | 025460-00R                     | SONDA SN4K20P1 PER AT2                  | THERMOSTAT PROBE       | TEMPERATURFUEHLER              | SONDE DU THERMOSTAT              |
| 70..., 140...                        |      | 025461-00R                     | SONDA SN4K20P2 PER AT2                  | THERMOSTAT PROBE       | TEMPERATURFUEHLER              | SONDE DU THERMOSTAT              |
| 70..., 140...                        | 13   | 025785-00R                     | MOTORE 230V 43/10W                      | FAN MOTOR              | LUEFTER MOTOR                  | MOTEUR VENTILATEUR               |
| 70T..., 140TN.                       |      | 025786-00R                     | RESISTENZA SBRINAMENTO INOX 350W        | DEFROST HEATER         | VERDAMPFER-ABTAUHEIZUNG        | RESISTANCE DEGIVRAGE EVAPORATEUR |
| 70BT., 140TPJ,<br>140BT              | 14   | 025787-00R                     | RESISTENZA SBRINAMENTO INOX 600W        | DEFROST HEATER         | VERDAMPFER-ABTAUHEIZUNG        | RESISTANCE DEGIVRAGE EVAPORATEUR |
| 70T..., 140TN.                       | 15   | 025788-00R                     | VENTOLA ASPIRANTE 200/31° AL            | IMPELLER               | LUEFTERFLUEGEL                 | COURONNE MOBILE                  |
| 70BT., 140TPJ,<br>140BT              |      | 025789-00R                     | VENTOLA ASPIRANTE 200/19° AL            | IMPELLER               | LUEFTERFLUEGEL                 | COURONNE MOBILE                  |
| 70..., 140...                        | 16   | 025764-00R                     | CONNETTORE 6 VIE SERIE 6,3              | 6-WAY CONNECTOR        | VERBINDER                      | CONNECTEUR 6 LIGNES              |
| 70..., 140...                        | 17   | 025790-00R                     | GUARNIZIONE ARMACELL 12x8               | BASE SEAL              | UNTERGESTELL DICHTUNG          | JOINT BASE                       |

| MODELLO<br>MODEL<br>MODELL<br>MODELE | POS. | CODICE<br>CODE<br>KODE<br>CODE | DESCRIZIONE         | DESCRIPTION    | BESCHREIBUNG | DESCRIPTION     |
|--------------------------------------|------|--------------------------------|---------------------|----------------|--------------|-----------------|
| 70TN.                                | 18   | 025791-00R                     | TUBO ASPIRAZIONE PL | RETURN PIPE PL | RUECKROHR PL | TUYAU DE RETOUR |
| 70TPJ, 140TN.                        |      | 025792-00R                     | TUBO ASPIRAZIONE PH | RETURN PIPE PH | RUECKROHR PH | TUYAU DE RETOUR |
| 70BT., 140TPJ                        |      | 025793-00R                     | TUBO ASPIRAZIONE NL | RETURN PIPE NL | RUECKROHR NL | TUYAU DE RETOUR |
| 140BT.                               |      | 025760-00R                     | TUBO ASPIRAZIONE NH | RETURN PIPE NH | RUECKROHR NH | TUYAU DE RETOUR |