

TAV. 016

PANNELLATURA
 ARMADIO 700 Lt.
 SERIE ZEUS
 Model
 D70DN2
 D70DNB2

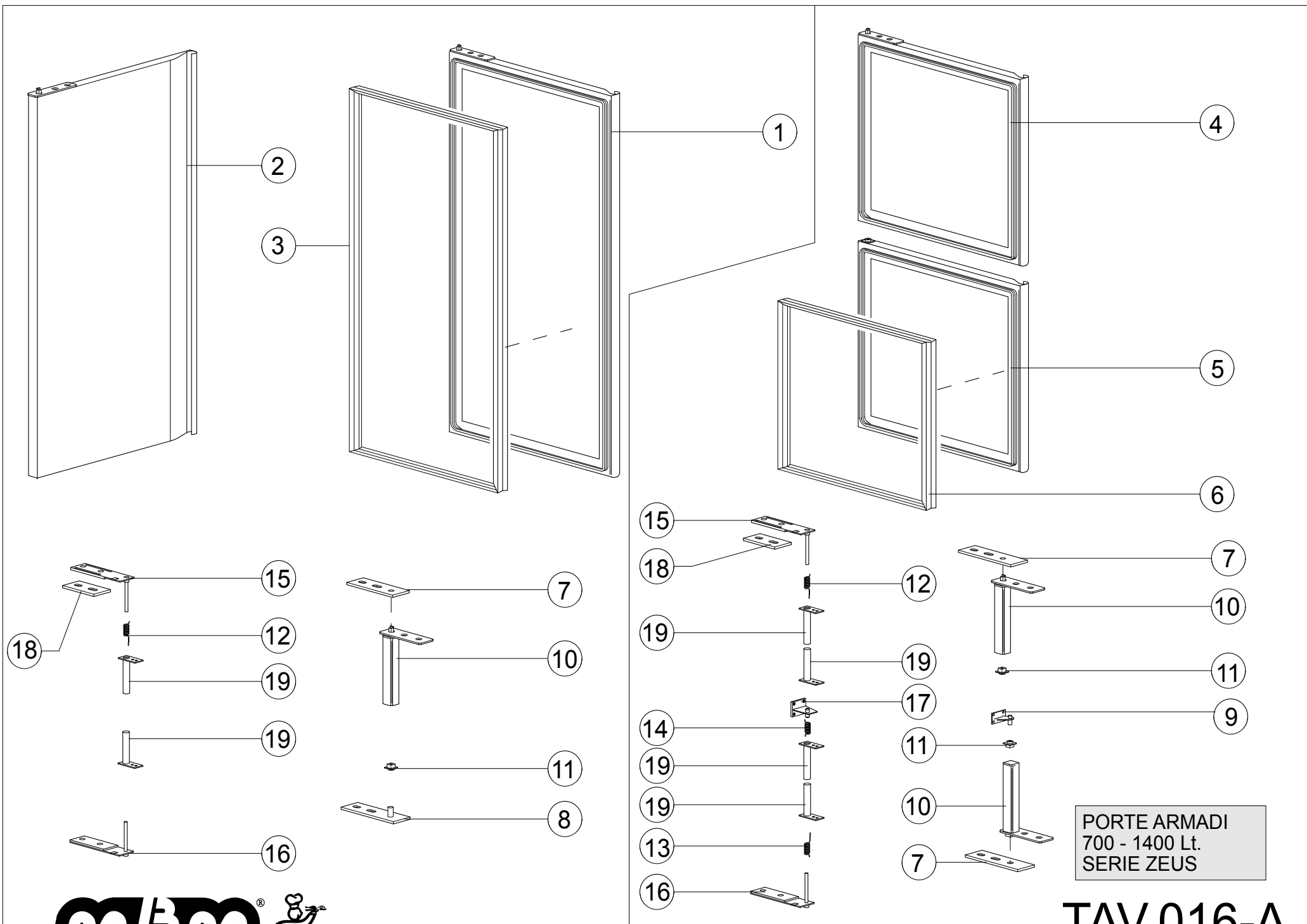


TAV.014

MODELLO MODEL MODELL MODELE	POS.	CODICE CODE KODE CODE	DESCRIZIONE	DESCRIPTION	BESCHREIBUNG	DESCRIPTION
--------------------------------------	------	--------------------------	-------------	-------------	--------------	-------------

D70DN2 D70DNB2	1	022289-00	ANIMA PER PROFILO DA 739 MM	FRAME S.STEEL STRIP	S. STAHLBAND F. RAHMEN	ÂME EN ACIER INOXYDABLE POUR PROFIL
D70DN2 D70DNB2	2	022290-00	ANIMA PER PROFILO DA 1599 MM	FRAME S.STEEL STRIP	S. STAHLBAND F. RAHMEN	ÂME EN ACIER INOXYDABLE POUR PROFIL
D70DN2 D70DNB2	3	023375-00	ASSIEME PIEDE REG. PLAST.+A304 115-165	PLASTIC+S.STEEL LEG	CNS+PLASTIKFUSS	PIED EN PLASTIQUE+ACIER INOX
D70DN2 D70DNB2	-	TAV.016A	ASS. PORTA RAGG. SUP.DX/INF.SX ZEUS	COMPLETE RIGHT-HAND "ZE" TOP-RIGHT/BOTTOM-LEFT DOOR	KOMPLETTE RECHTSÖFFNENDE "ZE" ???-TÜR	ENSEMBLE PORTE DROITE ??? "ZE"
D70DN2 D70DNB2	-	TAV.016A	ASS. PORTA RAGG. SUP.SX/INF.DX ZEUS	COMPLETE RIGHT-HAND "ZE" BOTTOM-RIGHT/TOP-LEFT DOOR	KOMPLETTE RECHTSÖFFNENDE "ZE" ???-TÜR	ENSEMBLE PORTE DROITE ??? "ZE"
D70DN2 D70DNB2	4	013486-00	SERRATURA CHIAVE UNICA CAT. LEVA PER FV	DOOR LOCK - FD MODELS	TUERSCHLOSS	SERRURE PORTE
D70DN2	-	TAV.006 (024396-00)	ASS. COMPR. ZEUS. 700LT 2 TEMP.-2/-2°C	COMPLETE CONDENSING UNIT	GESAMTE KONDENSATIONS-EINHEIT	GROUPE DE CONDENSATION
D70DNB2	-	TAV.006 (021193-00)	ASS. COMPR. FD TRAD. -2/-25°C 660 LT 2T	COMPLETE CONDENSING UNIT	GESAMTE KONDENSATIONS-EINHEIT	GROUPE DE CONDENSATION
D70DN2 D70DNB2	-	TAV.007 (021134-00)	ASS. EVAPORATORE TRAD.DIG. -2/-6°C SSD90	COMPLETE EVAPORATING UNIT	GESAMTE VERDAMPFUNGS-EINHEIT	GROUPE DE EVAPORATION
D70DNB2	-	TAV.009 (021192-00)	ASS. EVAP. TRAD.DIG. -25°C SSD90 660 2T	COMPLETE EVAPORATING UNIT	GESAMTE VERDAMPFUNGS-EINHEIT	GROUPE DE EVAPORATION
D70DN2 D70DNB2	8	023612-01	FIANCO SUP. DX/SX ZEUS 700/1400 LT	TOP RIGHT/LEFT PANEL	OBERES RECHTES/LINKES PANEEL	PANNEAU SUPÉRIEUR DROITE/GAUCHE
D70DN2 D70DNB2	8	023612-03	FIANCO SUP. DX/SX ZEUS 700/1400 LT	TOP RIGHT/LEFT PANEL	OBERES RECHTES/LINKES PANEEL	PANNEAU SUPÉRIEUR DROITE/GAUCHE
D70DN2 D70DNB2	9	023571-00	RINF POST L=738,5 FIANCO SUP DX/SX ARES	TOP BACK-SIDE PANEL	OBERES RÜCKWANDPANEEL	PANNEAU SUPÉRIEUR LATÉRAL-ARRIÈRE
D70DN2 D70DNB2	9	023571-01	RINF POST L=738,5 FIANCO SUP DX/SX ARES	TOP BACK-SIDE PANEL	OBERES RÜCKWANDPANEEL	PANNEAU SUPÉRIEUR LATÉRAL-ARRIÈRE
D70DN2 D70DNB2	10	024321-00	ASS. CRUSC. SMD34 RACC. 700 2T (STANDARD) MBM	INSTRUMENT S.TEEL PANEL (STANDARD) 2-TEMP.	INSTRUMENTENTAFEL STAHL (STANDARD) 2-TEMP.	PANNEAU INSTRUMENTS EN ACIER INOXYDABLE (STANDARD) 2-TEMP.
D70DN2 D70DNB2	11	022176-00	CONTATTO REED PER FD	DOOR MAGNETIC MICROSWITCH	MIKRO-MAGNETSCHALTER TÜR	MICRORUPTEUR MAGNÉTIQUE PORTE
D70DN2 D70DNB2	12	020520-00	MODULO DI POTENZA LAE SSD90C65E-C	POWER CONTROL UNIT	LEISTUNGSMODUL	UNITÉ DE COMMANDE ALIMENTATION
D70DN2 D70DNB2	13	021390-01	MASCHERINA RESINATA RACC. DEXION SMD34	DEXION INSTRUMENT BLUE FRAME	DEXION-INSTRUMENT BLAUER RAHMEN	ÉTIQUETTE EN RÉSINE DEXION
D70DN2 D70DNB2	14	020521-00	PIATTINA DI COLLEGAMENTO FC10-10M01	FLAT CONNECTOR	FLACHSTECKER	FIL DE CONNEXION
D70DN2 D70DNB2	15	020522-00	DISPLAY REMOTO SMD34RU PER FV	REMOTE DISPLAY KEYBOARD	FERNDISPLAY TASTATUR	CLAVIER TÉLÉAFFICHAGE
D70DN2 D70DNB2	16	011548-02	CAVO ALIM. G32 HO5VV-F 3G1.5 CM300	POWER SUPPLY CORD	SPEISUNGSKABEL	CORDON D'ALIMENTATION
D70DN2 D70DNB2	17	015210-00	MORSETTO FISSACAVO 3040/LGK 6-16MM	POWER-SUPPLY CABLE HOLDER	SPEISUNGSKABELHALTERUNG	SUPPORT CABLE ALIMENTATION
D70DN2 D70DNB2	19	OA000-ZE-024	COPPIA GUIDE PER GN 2/1	COUPLE OF SLIDES	PAAR GLEITSCHIENEN	PAIRE DE GLISSIÈRES

MODELLO MODEL MODELL MODELE	POS.	CODICE CODE KODE CODE	DESCRIZIONE	DESCRIPTION	BESCHREIBUNG	DESCRIPTION
D70DN2 D70DNB2	20	012197-00	PARTICOLARE PER FISS. MONTANTE	UP-RIGHT SUPPORT HOLDER	STÄNDERHALTERUNG	DÉTAIL FIXATION MONTANT
D70DN2 D70DNB2	21	OA000-00-021	RIPIANO GRIGLIATO RILSAN GN2/1	RILSAN SHELF	RILSAN REGAL	CLAYETTE RILSAN
D70DN2 D70DNB2	22	022292-00	SCATOLA ILLUMINAZIONE ECONOMICA	ECO-LAMP COVER	LAMPEGEHAUSE	COUVERCLE LAMPE
D70DN2 D70DNB2	23	023547-00	VETRO ILLUMINAZIONE ECONOMICA 110X62X6	ECO-LAMP GLASS	EKO-LAMPE GLAS	ECO-LAMPE VITRE
D70DN2 D70DNB2	24	022193-00	PORTALAMPADA E14	LAMP-HOLDER	LAMPEBEHAELTER	SUPPORT LAMPE
D70DN2 D70DNB2	25	022194-00	LAMPADA OLIVA CH E14 60W 230V	LAMP	LAMPE	LAMPE
D70DN2 D70DNB2	27	022541-00	RESISTENZA 84W 230V CORNICI PORTE (1/2)	HALF-DOORS' FRAME HEATER	TUERRAHMENHEIZUNG	RESISTANCE PORTE
D70DN2 D70DNB2	30	019414-00	RESISTENZA 90W 230V EVAP. COND. FV SKIN	WATER COLLECTING TRAY HEATER	TAUWASSERVERDUNSTUNGSHEIZER	RESIST.EVAPOR.EAU
D70DN2 D70DNB2	31	019411-00	ASS. BACINELLA RACC. COND. L=481 FV SKIN	WATER COLLECTING TRAY	KONDSATSAMMELWANNE	BAC DE COLLECTE DE L'EAU
D70DN2 D70DNB2	32	024196-00	1/2 SUPP. ANT/POST-DX/SX-SUP./INF. ZEUS	BACK/FRONT RIGHT/LEFT TOP/BOTTOM UP-RIGHT SLIDE SUPPORT	HINTERE/VORDERE RECHTE/LINKE AUFRECHTE ?? SCHIENENHALTERUNG	SUPPORT GLISSIÈRE ARRIÈRE/AVANT DROITE/GAUCHE HAUT/BAS

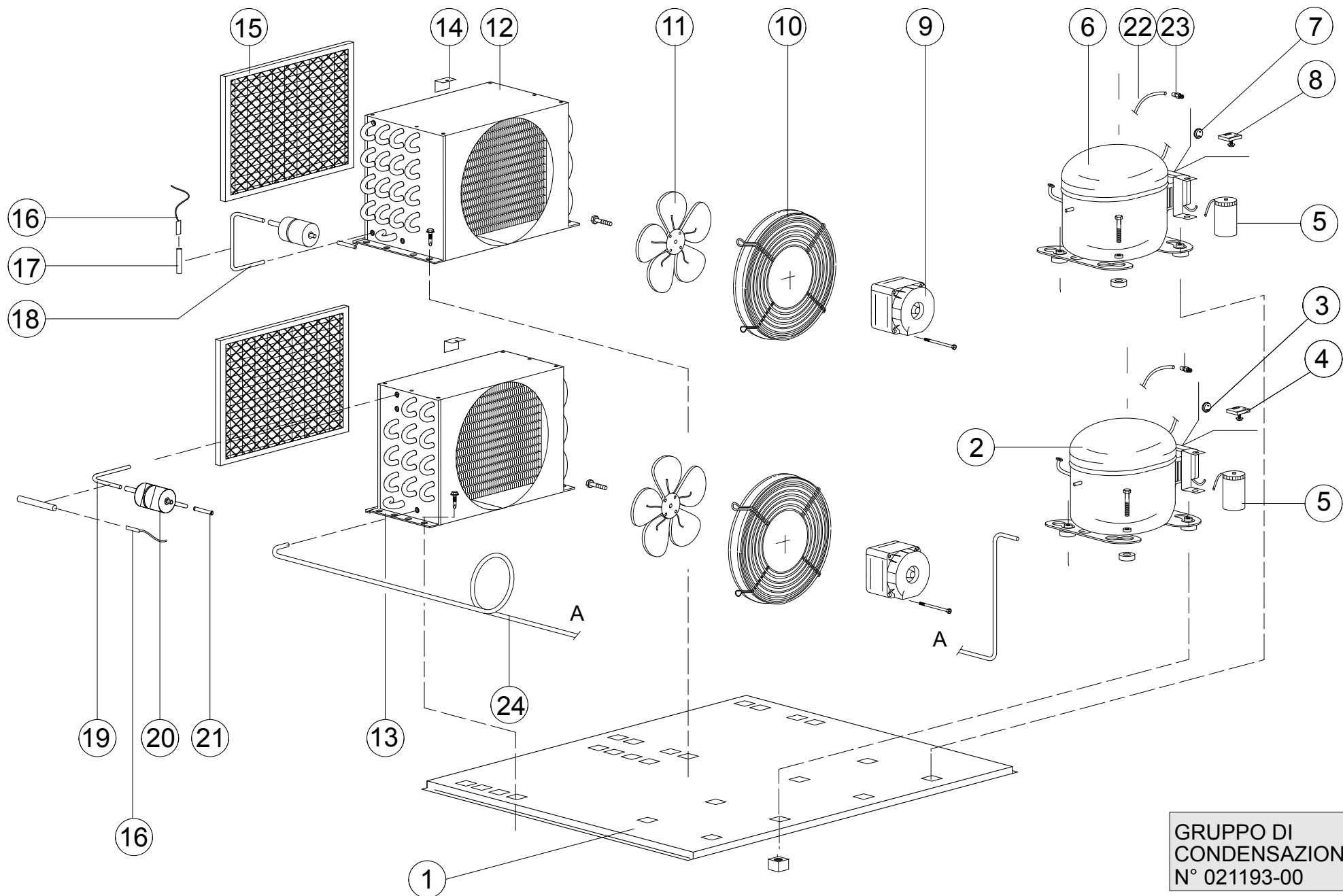


PORTE ARMADI
 700 - 1400 Lt.
 SERIE ZEUS

TAV.016-A



MODELLO MODEL MODELL MODELE	POS.	CODICE CODE KODE CODE	DESCRIZIONE	DESCRIPTION	BESCHREIBUNG	DESCRIPTION
D70x1 D140...	1	023923-00	ASS. PORTA DX ZEUS "ZE" DEXION	COMPLETE RIGHT-HAND DOOR	KOMPLETTE RECHTSÖFFNENDE TÜR	ENSEMBLE PORTE DROITE
D140...	2	023924-00	ASS. PORTA SX ZEUS "ZE" DEXION	COMPLETE LEFT-HAND DOOR	KOMPLETTE LINKSÖFFNENDE TÜR	ENSEMBLE PORTE GAUCHE
D70x1 D140...	3	011535-00	GUARN.MAGN.G.4-LM 420/960 BIA 1555X689	DOOR SEAL	TUER DICHTUNG	JOINT PORTE
D70DN2 D70DNB2	4	023587-00	ASS. PORTA RAGG. SUP.DX/INF.SX ZEUS	COMPLETE TOP-RIGHT/BOTTOM-LEFT DOOR	1/2 TUER KOMPL.OBEN RECHTS/UNTEN LINKS	PORTILLON SUP.DR./INF.GAUCHE
D70DN2 D70DNB2	5	023589-00	ASS. PORTA RAGG. SUP.SX/INF.DX ZEUS	COMPLETE TOP-LEFT/BOTTOM-RIGHT DOOR	1/2 TUER KOMPL.OBEN LINKS/UNTEN RECHTS	PORTILLON SUP.GAUCHE/INF.DR.
D70DN2 D70DNB2	6	011537-00	GUARNIZ.MAGN.G.4-LM 420/960 BIA 755X689	HALF-DOOR SEAL	1/2 TUER DICHTUNG	JOINT PORTILLON
D70x1 D140...	7	022094-03	STAFFA SUP. DX-SX FD	UPPER RIGHT/LEFT SUPPORT	OBERE RECHTE/LINKE HALTERUNG	SUPPORT SUPÉRIEUR DROITE/GAUCHE
D70x1 D140...	8	022103-02	ASS. STAFFA INF. DX-SX CERNIERA FD	LOWER RIGHT/LEFT SUPPORT	UNTERE RECHTE/LINKE HALTERUNG	SUPPORT INFÉRIEUR DROITE/GAUCHE
D70DN2 D70DNB2	9	022558-00	ASS.CERNIERA INTERM.ZEUS 700/1400 LT.	MIDDLE HINGE FOR HALF-DOOR	MITTLEREN SCHARNIER	CHARNIERE INTERM.
D70x1 D140...	10	022104-00	CERNIERA PER PORTA DX-SX FD	RIGHT-HAND DOOR HINGE	SCHARNIER RECHTSÖFFNENDE TÜR	CHARNIÈRE PORTE DROITE
D70x1 D140...	11	022105-00	TAPPO PER CERNIERA PORTA	DOOR TAP FOR SUPPORT	TÜRSCHARNIERABDECKUNG	BOUCHON POUR CHARNIÈRE PORTE
D70x1 D140...	12	011573-00	MOLLA SX PER PORTA APERTURA DX	DOOR SPRING, RIGHT	TUERFEDER, RECHTS	RESSORT DROIT
D70x1 D140...	13	011572-00	MOLLA DX PER PORTA APERTURA SX	DOOR SPRING, LEFT	TUERFEDER, LINKS	RESSORT GAUCHE
D70DN2 D70DNB2	14	011574-00	MOLLA PER 1/2 PORTA FV	UPPER SPRING FOR 1/2-DOOR	1/2 TUERFEDER	RESSORT PORTILLON
D70x1 D140...	15	011561-00	ASS. CERNIERA SUP. DX INF. SX	UPPER RIGHT/LOWER LEFT HINGE	SCHARNIER O. RECHTS/U. LINKS	CHARNIERE SUP. DR.
D70x1 D140...	16	011563-00	ASS. CERNIERA SUP. SX INF. DX	LOWER RIGHT/UPPER LEFT HINGE	SCHARNIERE O. LINKS/U. RECHTS	CHARNIERE SUP. G.
D70DN2 D70DNB2	17	011576-00	ASS. CERNIERA SABBIATA PER 1/2 PORTA	MIDDLE HINGE FOR HALF-DOOR	MITTLEREN SCHARNIER	CHARNIERE INTERM.
D70x1 D140...	18	011575-01	DISTANZIALE CERNIERA SUP. (SP.10MM)	TOP-HINGE SPACER (10MM)	ENTFERNUNGSSTUECK	ENTRETOISE PLAST.X CHARNIERE
D70x1 D140...	19	011566-01	ASS. CANOTTO PORTA-MOLLA	DOOR-SPRING HOLDER	FEDERHALTER-ROHR	PORTE-RESSORT



GRUPPO DI
CONDENSAZIONE
N° 021193-00

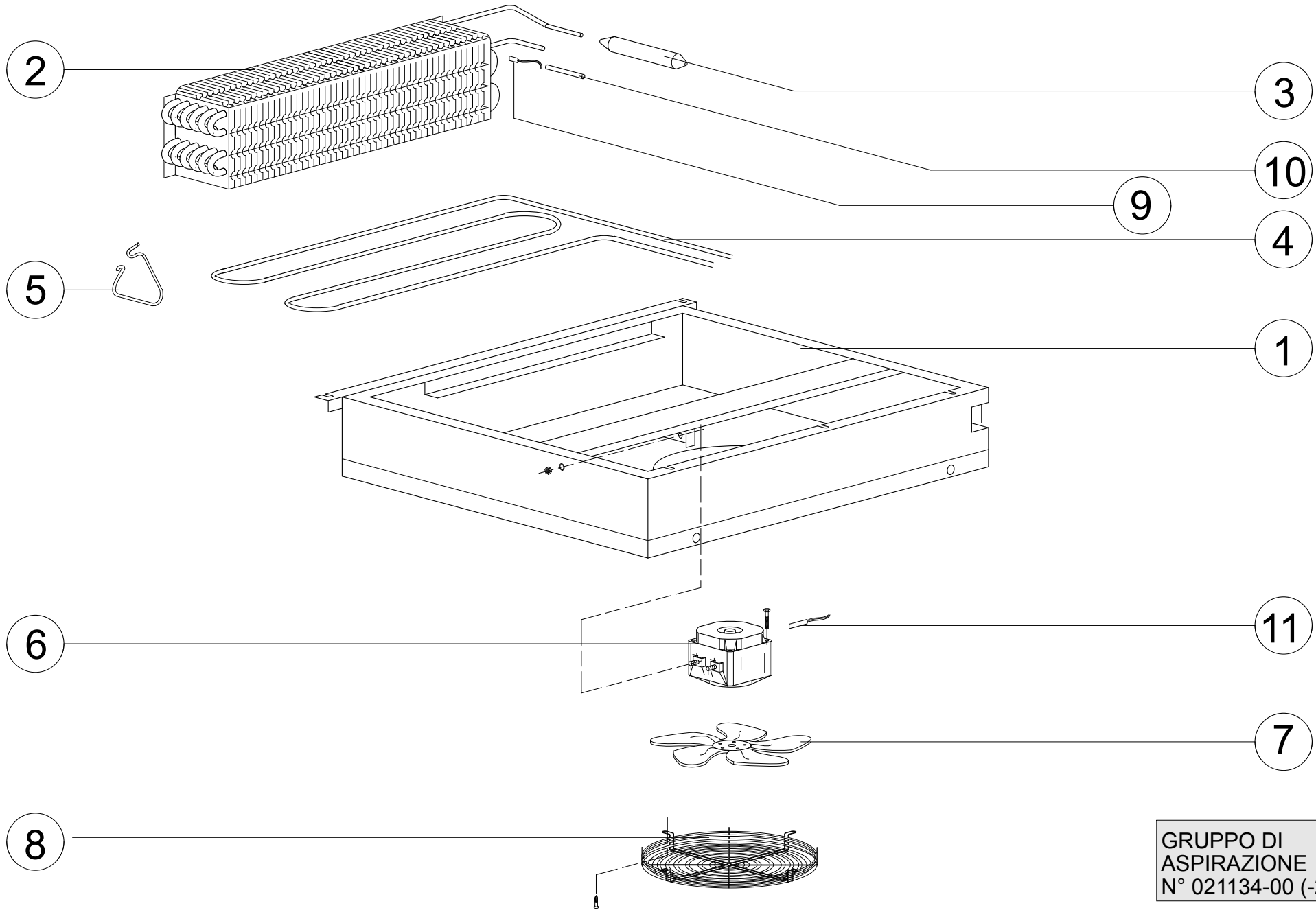
TAV.006



MODELLO MODEL MODELL MODELE	POS.	CODICE CODE KODE CODE	DESCRIZIONE	DESCRIPTION	BESCHREIBUNG	DESCRIPTION
--	-------------	--	--------------------	--------------------	---------------------	--------------------

D70DN2 D70DNB2	1	012200-03	BASAMENTO GRUPPO FV 2T	CONDENSING UNIT BASE	UNTERGESTELL VERFLÜSSIGEREINHEIT	BASE UNITÉ DE CONDENSATION
D70DN2 D70DNB2	2	022260-00	COMPRESSORE GL 90 TB 230V 50HZ	COMPRESSOR	KOMPRESSOR	COMPRESSEUR
D70DN2 D70DNB2	3	023789-00	SALVAMOTORE T0057-22 GL90TB	SAFETY TEMP. LIMIT SWITCH	SICHERHEITSTHERMOSTAT- KOMPRESSOR	RUPTEUR THERMIQUE DE SÉCURITÉ
D70DN2 D70DNB2	4	023790-00	RELE DI AVVIAMENTO MTRP-43-27 GL90TB	STARTING RELAY	KOMPRESSORANLASSEN-RELAIS	RELAIS DEMARRAGE COMPRESSEUR
D70DNB2	5	023788-00	CONDENSATORE AVV. 47-56MDF/330V GL-ML	STARTING CAPACITOR	KOMPRESSORANLASSEN- KONDENSATOR	CONDENSEUR DEMARRAGE COMPRESSEUR
D70DNB2	6	022262-00	COMPRESSORE ML 80 FB 230V 50HZ	COMPRESSOR	KOMPRESSOR	COMPRESSEUR
D70DNB2	7	023791-00	SALVAMOTORE T0137-22 ML80FB	SAFETY TEMP. LIMIT SWITCH	SICHERHEITSTHERMOSTAT- KOMPRESSOR	RUPTEUR THERMIQUE DE SÉCURITÉ
D70DNB2	8	023792-00	RELE'DI AVVIAMENTO MTRP-46-27 ML80FB	STARTING RELAY	KOMPRESSORANLASSEN-RELAIS	RELAIS DEMARRAGE COMPRESSEUR
D70DN2 D70DNB2	9	012725-00	VENTILATORE 82D 2010/V-9 230V 50HZ	FAN MOTOR	VENTILATORMOTOR	VENTILATEUR
D70DN2 D70DNB2	10	011589-01	SUPPORTO PROTEZ. MOTOVENTIL. CONDENS.	CONDENSER FAN PROTECTION GRID	KONDENS.TRAEGER	SUPP.PROTECT.CONDENS.
D70DN2 D70DNB2	11	013479-00	VENTOLA ASPIRANTE DIAM. 230-28°	IMPELLER	LUEFTERFLUEGEL	COURONNE MOBILE
D70DNB2	12	011532-00	CONDENSATORE 4R 9T X240	CONDENSER	KONDENSATOR	CONDENSATEUR
D70DN2 D70DNB2	13	011531-00	CONDENSATORE 3R 9T X240	CONDENSER	KONDENSATOR	CONDENSATEUR
D70DN2 D70DNB2	14	015422-00	SQUADRETTA FERMO FILTRO	AIR-FILTER HOLDER	LUFTFILTERHALTERUNG	SUPPORT FILTRE A AIR
D70DN2 D70DNB2	15	013524-00	FILTRO CFL/P CON SETTO POL206 252X265X12	CONDENSER AIR-FILTER	FILTER	FILTRE
D70DN2 D70DNB2	16	020526-00	SONDA COND. PTC PER SSD90 ST1K20C3	CONDENSER PROBE	VERFLÜSSIGERFÜHLER	SONDE CONDENSEUR
D70DN2 D70DNB2	17	021052-00	TRONCHETTO PORTA BULBO (STRUM. LAE)	PROBE HOLDER	FÜHLERHALTERUNG	SUPPORT SONDE
D70DNB2	18	012351-02	TUBO USCITA CONDENSATORE 4R9T/4R9T 500	CONDENSER OUTLET PIPE	VERFLÜSSIGERAUSTRITTSROHR	TUYAU DE SORTIE CONDENSEUR
D70DNB2	19	012350-02	TUBO USCITA CONDENSATORE 3R9T	CONDENSER OUTLET PIPE	VERFLÜSSIGERAUSTRITTSROHR	TUYAU DE SORTIE CONDENSEUR
D70DN2	19	021378-00	TUBO USCITA CONDENS. + TRONCHETTO 3R9T	CONDENSER OUTLET PIPE	VERFLÜSSIGERAUSTRITTSROHR	TUYAU DE SORTIE CONDENSEUR
D70DN2 D70DNB2	20	014615-00	FILTRO DEIDRATORE DN 032 S 6MM	FILTER DRIER	TROCKNER	FILTRE SECHANT
D70DN2 D70DNB2	21	014665-00	TUBO USCITA FILTRO PER FV-FO	FILTER DRIER OUTLET PIPE	AUSTRITTSROHR FILTERTROCKNER	TUYAU SORTIE FILTRE DÉSHYDRATEUR
D70DN2 D70DNB2	22	012691-02	TUBO RICARICA PER FV-SA	RECHARGE TUBE	BEFÜLLROHRE	TUYAU DE RECHARGE
D70DN2 D70DNB2	23	012722-00	VALV.RIC.FIL. 1/4"FILX1/4"A SALD.	RECHARGE VALVE	SCHRADERVENTIL	SOUPAPE RECHARG.

MODELLO MODEL MODELL MODELE	POS.	CODICE CODE KODE CODE	<i>DESCRIZIONE</i>	<i>DESCRIPTION</i>	<i>BESCHREIBUNG</i>	<i>DESCRIPTION</i>
D70DN2 D70DNB2	24	012353-00	TUBO COMPRESSIONE PER COND. 3R9T	COMPRESSOR DELIVERY PIPE	VERDICHTERZULEITUNGSROHR	TUYAU COMPRESSION POUR CONDENSEUR



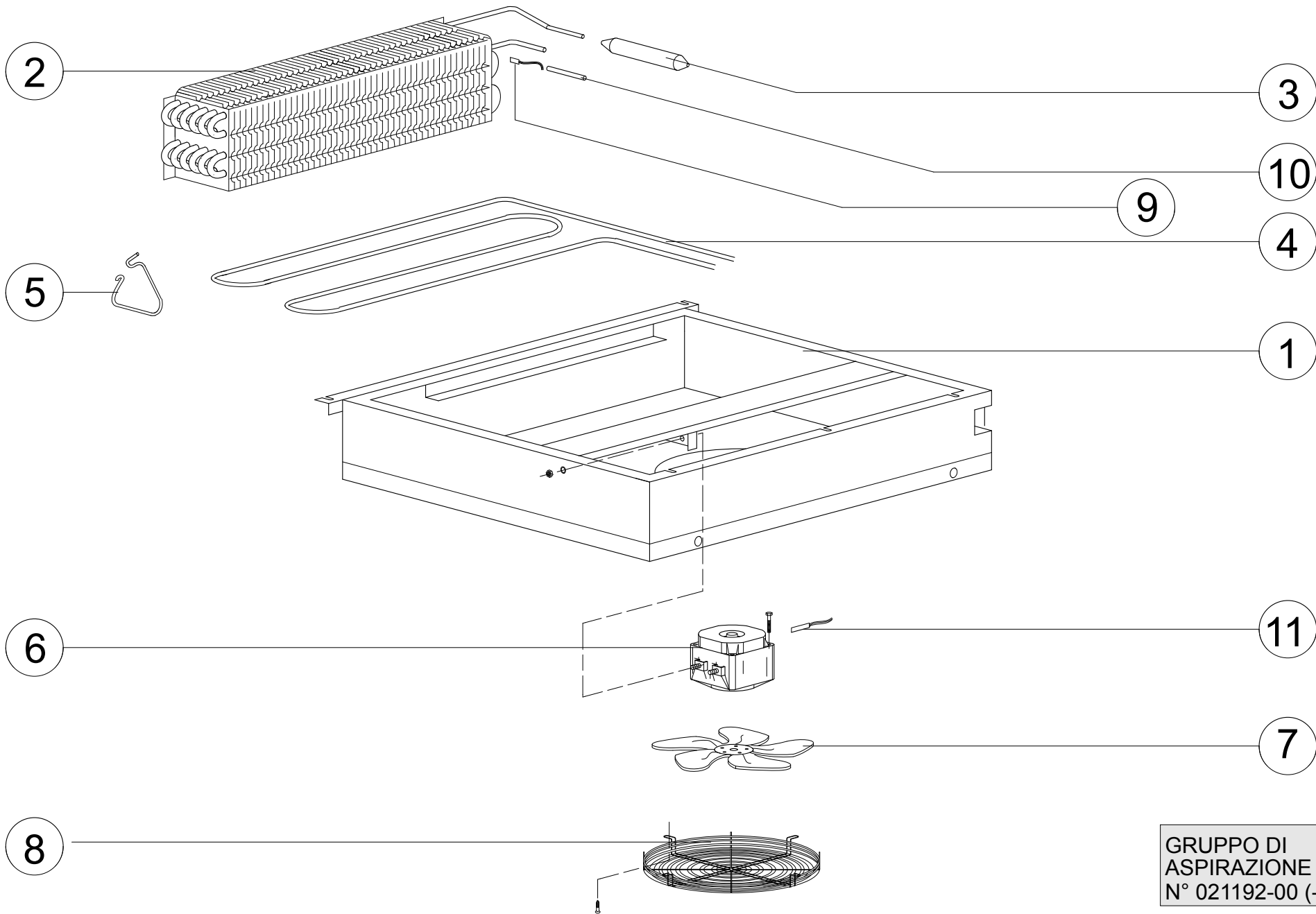
GRUPPO DI
 ASPIRAZIONE
 N° 021134-00 (-2 sup/inf)



TAV.007

MODELLO MODEL MODELL MODELE	POS.	CODICE CODE KODE CODE	<i>DESCRIZIONE</i>	<i>DESCRIPTION</i>	<i>BESCHREIBUNG</i>	<i>DESCRIPTION</i>
--	-------------	--	--------------------	--------------------	---------------------	--------------------

D70DN2 D70DNB2	1	012076-00	ASS.SCATOLA EVAPORATORE 490X438	EVAPORATOR S.STEEL BOX	VERDAMPFER S. STAHLGEHÄUSE	BOÎTIER ÉVAPORATEUR EN ACIER INOXYDABLE
D70DN2 D70DNB3	2	011529-02	EVAPORATORE 6T 4R X352 FV	EVAPORATOR	VERDAMPFER	ÉVAPORATEUR
D70DN2 D70DNB4	3	012721-00	ACCUMULATORE ø=30 L=180 DIRITTO	ACCUMULATOR	DAMPFDOM	ACCUMULATEUR
D70DN2 D70DNB5	4	011526-01	RESISTENZA SBRINAMENTO 500W 230V	DEFROST HEATER	VERDAMPFER-ABTAUHEIZUNG	RESISTANCE DEGIVRAGE EVAPORAT.
D70DN2 D70DNB6	5	011609-01	MOLLA FERMO RESISTENZA	CLAMP FOR DEFROST HEATER	FEDER FUER ABTAUHEIZUNG	RESSORT POUR RESISTANCE
D70DN2 D70DNB7	6	012725-00	VENTILATORE 82D 2010/V-9 230V 50HZ	FAN MOTOR	VENTILATORMOTOR	VENTILATEUR
D70DN2 D70DNB8	7	013479-00	VENTOLA ASPIRANTE DIAM. 230-28°	IMPELLER	LUEFTERFLUEGEL	COURONNE MOBILE
D70DN2 D70DNB9	8	011590-03	PROTEZIONE MOTOV. SCATOLA EVAP.	EVAPORATOR FAN PROTECTION GRID	VERDAMPFERTRAEGER	SUPP. PROTECT. EVAPORATEUR
D70DN2 D70DNB10	9	020525-00	SONDA EVAP.PTC PER SSD90 ST1K20C2	EVAPORATOR PROBE	VERDAMPFERFÜHLER	SONDE ÉVAPORATEUR
D70DN2 D70DNB11	10	023387-00	TUBETTO VIPLA NERO DIAM.14	POLYVINYL PIPE, BLACK	POLYVINYLROHR, SCHWARZ	TUYAU EN POLYVINYLE, NOIR
D70DN2 D70DNB12	11	020524-00	SONDA CELLA PTC PER SSD90 ST1K20C1	CABINET PROBE	GEHÄUSEFÜHLER	SONDE CHAMBRE
D70DN2 D70DNB13	12	012082-00	ASS.COPERCHIO SCAT.EV.	EVAPORATOR S.STEEL COVER	CNS-VERDAMPFERGEHAUSEDECKEL	ENS. COUVERCLE POUR BOITE EVAPORATEUR



GRUPPO DI
ASPIRAZIONE
N° 021192-00 (-25inf.)



TAV.009

MODELLO MODEL MODELL MODELE	POS.	CODICE CODE KODE CODE	<i>DESCRIZIONE</i>	<i>DESCRIPTION</i>	<i>BESCHREIBUNG</i>	<i>DESCRIPTION</i>
D70DNB2	1	012076-00	ASS.SCATOLA EVAPORATORE 490X438	EVAPORATOR S.STEEL BOX	VERDAMPFER S. STAHLGEHÄUSE	BOÎTIER ÉVAPORATEUR EN ACIER INOXYDABLE
D70DNB2	2	011529-02	EVAPORATORE 6T 4R X352 FV	EVAPORATOR	VERDAMPFER	ÉVAPORATEUR
D70DNB2	3	012721-00	ACCUMULATORE ø=30 L=180 DIRITTO	ACCUMULATOR	DAMPFDOM	ACCUMULATEUR
D70DNB2	4	011526-01	RESISTENZA SBRINAMENTO 500W 230V	DEFROST HEATER	VERDAMPFER-ABTAUHEIZUNG	RESISTANCE DEGIVRAGE EVAPORAT.
D70DNB2	5	011609-01	MOLLA FERMO RESISTENZA	CLAMP FOR DEFROST HEATER	FEDER FUER ABTAUHEIZUNG	RESSORT POUR RESISTANCE
D70DNB2	6	012725-00	VENTILATORE 82D 2010/V-9 230V 50HZ	FAN MOTOR	VENTILATORMOTOR	VENTILATEUR
D70DNB2	7	017721-00	VENTOLA ASPIRANTE DIAM. 230-19°	IMPELLER	LUEFTERFLUEGEL	COURONNE MOBILE
D70DNB2	8	011590-03	PROTEZIONE MOTOV. SCATOLA EVAP.	EVAPORATOR FAN PROTECTION GRID	VERDAMPFERTRAEGER	SUPP. PROTECT. EVAPORATEUR
D70DNB2	9	020525-00	SONDA EVAP.PTC PER SSD90 ST1K20C2	EVAPORATOR PROBE	VERDAMPFERFÜHLER	SONDE ÉVAPORATEUR
D70DNB2	10	023387-00	TUBETTO VIPLA NERO DIAM.14	POLYVINYL PIPE, BLACK	POLYVINYLRÖHR, SCHWARZ	TUYAU EN POLYVINYLE, NOIR
D70DNB2	11	020524-00	SONDA CELLA PTC PER SSD90 ST1K20C1	CABINET PROBE	GEHÄUSEFÜHLER	SONDE CHAMBRE
D70DNB2	12	012082-00	ASS.COPERCHIO SCAT.EV.	EVAPORATOR S.STEEL COVER	CNS-VERDAMPFERGEHAUSEDECKEL	ENS. COUVERCLE POUR BOITE EVAPORATEUR