

**TAVOLI ACAL O
BUSINESS**

Mod.

AX250xxx	BX250xxx	B250xxx
AX400xxx	BX400xxx	B400xxx
	BX550xxx	B550xxx

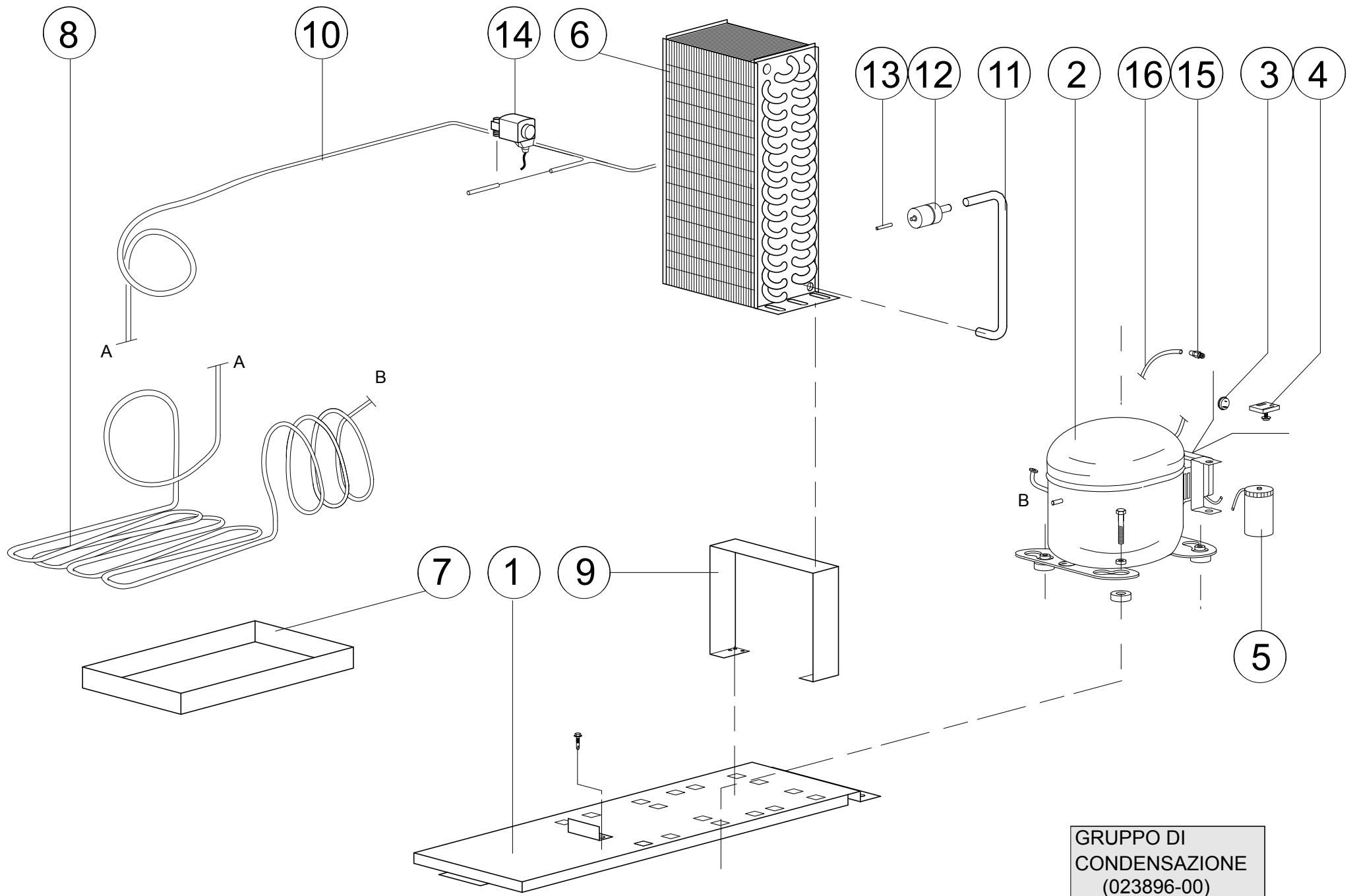


TAV.019

MODELLO MODEL MODELL MODELE	POS.	CODICE CODE KODE CODE	DESCRIZIONE	DESCRIPTION	BESCHREIBUNG	DESCRIPTION
AX..... BX..... B.....	1	023866-00	ANIMA FIANCO 547X50 CORNICE 652 TAVOLO	SIDE FRAME S.STEEL STRIP - COUNTER	S. STAHLBAND SEITENRAHMEN - THEKE	ÂME LATÉRALE EN ACIER INOXYDABLE - TABLE
AX250... BX250... B250...	2	023867-00	ANIMA 2 VANI 907X50 CORNICE 910 TAVOLO	2-DOOR FRAME S.STEEL STRIP - COUNTER	2-TÜRENRAHMEN S. STAHLBAND - THEKE	ÂME EN ACIER INOXYDABLE 2 LOGEMENTS CADRE - TABLE
AX400... BX400... B400...	2	023869-00	ANIMA 3 VANI P 700 1362X50 CORN 1365 TV	3-DOOR FRAME S.STEEL STRIP - COUNTER	3-TÜRENRAHMEN S. STAHLBAND - THEKE	ÂME EN ACIER INOXYDABLE 3 LOGEMENTS CADRE - TABLE
BX550... B550...	2	023870-00	ANIMA 4 VANI P 700 1817X50 CORN 1820 TV	4-DOOR FRAME S.STEEL STRIP - COUNTER	4-TÜRENRAHMEN S. STAHLBAND - THEKE	ÂME EN ACIER INOXYDABLE 4 LOGEMENTS CADRE - TABLE
AX..... BX..... B.....	3	023853-00	ANIMA MONTANTE VERT. L=543MM TAVOLO	UP-RIGHT MID-FRAME S.STEEL STRIP - COUNTER	S. STAHLBAND F. RAHMEN - THEKE	ÂME EN ACIER INOXYDABLE - TABLE
AX..... BX..... B.....	3A	022131-00	RESISTENZA ADES.MONT.VERT. FO NEW LINE	HEATING ELEMENT - UP-RIGHT MID-FRAME S.STEEL STRIP	WASSERVERDUNST.HEIZUNG	RESISTANCE EVAPORATION CONDENSATION
AX..... BX..... B.....	4	023374-00	ASSIEME PIEDE REG. PLAST.GRIGIA 115-165	GREY-PLASTIC LEG	GRAUER PLASTIKFUSS	PIED EN PLASTIQUE GRIS
AX..... BX..... B.....	4	023375-00	ASSIEME PIEDE REG. PLAST.+A304 115-165	PLASTIC+S.STEEL LEG	CNS+PLASTIKFUSS	PIED EN PLASTIQUE+ACIER INOX
AX..... BX..... B.....	5	019747-00	VENT. FULLTECH UF12A23-STH 230V CABLATO	WIRED FAN	VERDRAHTETER VENTILATOR	VENTILATEUR CÂBLÉ
AX..... BX..... B.....	6	012721-00	ACCUMULATORE ø=30 L=180 DIRITTO	ACCUMULATOR	DAMPFDOM	ACCUMULATEUR
AX..... BX..... B.....	7	015210-00	MORSETTO FISSACAVO 3040/LGK 6-16MM	POWER-SUPPLY CABLE HOLDER	SPEISUNGSKABELHALTERUNG	SUPPORT CABLE ALIMENTATION
AX..... BX..... B.....	8	023894-00	PANNELLO COPERTURA POST. TAVOLO "AL"	BACK COVERING PANEL	HINTERES ABDECKPANEEL	PANNEAU DE REVÊTEMENT ARRIÈRE
AX250...	-	TAV. 008 (023895-00)	GRUPPO COMPR. +1°C 2 VANI TAVOLO "AL"	COMPLETE CONDENSING UNIT	GESAMTE KONDENSATIONS-EINHEIT	GROUPE DE CONDENSATION
AX400...	-	TAV. 008 (023897-00)	GRUPPO COMPR. +1°C 3/4 VANI TAVOLO "AL"	COMPLETE CONDENSING UNIT	GESAMTE KONDENSATIONS-EINHEIT	GROUPE DE CONDENSATION
B250...	-	TAV. 008 (023896-00)	GRUPPO COMPR. -2°C 2 VANI TAVOLO "IN"	COMPLETE CONDENSING UNIT	GESAMTE KONDENSATIONS-EINHEIT	GROUPE DE CONDENSATION
B400... B550...	-	TAV. 008 (023898-00)	GRUPPO COMPR. -2°C 3/4 VANI TAVOLO "IN"	COMPLETE CONDENSING UNIT	GESAMTE KONDENSATIONS-EINHEIT	GROUPE DE CONDENSATION

MODELLO MODEL MODELL MODELE	POS.	CODICE CODE KODE CODE	DESCRIZIONE	DESCRIPTION	BESCHREIBUNG	DESCRIPTION
AX..... BX..... B.....	10	020540-01	EVAPORATORE 12T 1R L380 H450	EVAPORATOR	VERDAMPFER	ÉVAPORATEUR
AX..... BX..... B.....	11	023904-00	BACINELLA RACC. COND. INT. TAVOLO "AL"	INTERNAL WATER COLLECTING TRAY	INTERNE KONDENSATSAMMELWANNE	BAC INTERNE DE COLLECTE DE L'EAU
AX..... BX..... B.....	12	023886-00	ASS. PORTA DX TAVOLO "AL"	RIGHT-HAND DOOR	RECHTSÖFFNENDE TÜR	PORTE DROITE
AX..... BX..... B.....	13	017101-00	GUARNIZIONE MAGNETICA N179 630X424	DOOR SEAL	MAGNETTUERDICHTUNG	JOINT PORTE
AX..... BX..... B.....	14	017451-00	ASS. CERNIERA INFERIORE DX TAVOLO SKIN	LOWER RIGHT HINGE SET	TUERSCHARNIER UNTEN RECHTS	ENS. CHARNIERE INF. DR.
AX..... BX..... B.....	15	017448-00	ASS. CERNIERA SUPERIORE DX TAVOLO SKIN	UPPER RIGHT HINGE SET	TUERSCHARNIER OBEN RECHTS	ENS. CHARNIERE SUP. DR.
AX..... BX..... B.....	16	023889-00	ASS. PORTA SX TAVOLO "AL"	LEFT-HAND DOOR	LINKSÖFFNENDE TÜR	PORTE GAUCHE
AX..... BX..... B.....	17	017453-00	ASS. CERNIERA INFERIORE SX	LOWER LEFT HINGE SET	TUERSCHARNIER UNTEN LINKS	ENS. CHARNIERE INF. GH.
AX..... BX..... B.....	18	017450-00	ASS. CERNIERA SUPERIORE SX	UPPER LEFT HINGE SET	TUERSCHARNIER OBEN LINKS	ENS. CHARNIERE SUP. GH.
AX..... BX..... B.....	19	023945-01	CREMAGLIERA ANT. DX TAVOLO SKIN "SK"	FRONT RIGHT SLIDE SUPPORT	VORDERE RECHTE SCHIENENHALTERUNG	SUPPORT GLISSIÈRE AVANT DROITE
AX..... BX..... B.....	20	022132-02	SUPPORTO GUIDE POST DX FO NL/SK	BACK RIGHT SLIDE SUPPORT - COUNTERS	HINTERE RECHTE SCHIENENHALTERUNG - THEKEN	SUPPORT GLISSIÈRE ARRIÈRE DROITE - TABLES
AX..... BX..... B.....	21	AAG0000450	RIPIANO GRIGLIATO RILSAN GN1/1	RILSAN SHELF	RILSAN REGAL	CLAYETTE RILSAN
AX..... BX..... B.....	22	023960-00	ASS. C2 SUP. TD "ARES"	COMPLETE C2-TOP DRAWER "ARES" HANDLE	KOMPLETTE OBERSTE SCHUBLADE C2 "ARES" GRIFF	TIROIR SUPÉRIEUR C2 ÉQUIPÉ DE POIGNÉE "ARES"
AX..... BX..... B.....	23	017102-00	GUARNIZIONE MAGNETICA N179 302X424	DRAWER SEAL, C2	MAGNETDICHTUNG 1/2 SCHUBL.	JOINT TIROIR C2
AX..... BX..... B.....	24	023963-00	ASS. C2 INF. TD "ARES"	COMPLETE C2-BOTTOM DRAWER "ARES" HANDLE	KOMPLETTE UNTERSTE SCHUBLADE C2 "ARES" GRIFF	TIROIR INFÉRIEUR C2 ÉQUIPÉ DE POIGNÉE "ARES"
AX..... BX..... B.....	25	023946-01	CREMAGLIERA ANT. SX TAVOLO SKIN "SK"	FRONT LEFT SLIDE SUPPORT	VORDERE LINKE SCHIENENHALTERUNG	SUPPORT GLISSIÈRE AVANT GAUCHE
AX..... BX..... B.....	26	022133-02	SUPPORTO GUIDE POST SX FO NL/SK	BACK LEFT SLIDE SUPPORT - COUNTERS	HINTERE LINKE SCHIENENHALTERUNG - THEKEN	SUPPORT GLISSIÈRE ARRIÈRE GAUCHE - TABLES

MODELLO MODEL MODELL MODELE	POS.	CODICE CODE KODE CODE	DESCRIZIONE	DESCRIPTION	BESCHREIBUNG	DESCRIPTION
AX..... BX..... B.....	27	ZAG0000...	COPPIA GUIDE PER GN1/1 SKIN	COUPLE OF SLIDES	PAAR GLEITSCHIENEN	PAIRE DE GLISSIÈRES
B.....	28	012335-01	RESISTENZA 87W 240V MM.470X65	WATER-EVAPORATING TRAY HEATER	TAUWASSERVERDUNSTUNGSHEIZER	RESISTANCE EVAPORAT.EAU DEG.
AX..... BX..... B.....	29	023854-00	ANIMA MONTANTE ORIZZ. L=340MM TAVOLO	FRAME S.STEEL STRIP - COUNTER	S. STAHLBAND F. RAHMEN - THEKE	ÂME EN ACIER INOXYDABLE - TABLE
AX..... BX..... B.....	30	022208-00	COPPIA GUIDE TELESCOPICHE INOX L=590	COUPLE OF TELESCOPIG RUNNERS	PAARA AUSZIEHBARE SCHIENEN	PAIRE DE GLISSIÈRES TÉLESCOPIQUES
AX..... BX..... B.....	31	021048-00	ASS. CRUSCOTTO DIG. FO SKIN 660	INSTRUMENT S.TEEL PANEL (SKIN)	INSTRUMENTENTAFEL STAHL (SKIN)	PANNEAU INSTRUMENTS EN ACIER INOXYDABLE (SKIN)
AX..... BX..... B.....	32	016367-01	SUPPORTO PER VENTILATORE ABS 7378	FAN HOLDER	VENTILATORHALTERUNG	SUPPORT VENTILATEUR
AX..... BX..... B.....	33	022182-00	VENTILATORE FULLTECH EVAP.EUROPA	EVAPORATOR FAN	VERDAMPFERVENTILATOR	VENTILATEUR DE L'ÉVAPORATEUR
AX..... BX..... B.....	34	011548-02	CAVO ALIM. G32 HO5VV-F 3G1.5 CM300	POWER SUPPLY CORD	SPEISUNGSKABEL	CORDON D'ALIMENTATION
AX..... BX.....	35	023381-00	SBRINATORE COMPATTO LD1-15BE-AG	DIGITAL CONTROLER	DIGITALER REGLER	CONTRÔLEUR NUMÉRIQUE
B.....	35	023382-00	SBRINATORE COMPATTO LD2-15B4E	DIGITAL CONTROLER	DIGITALER REGLER	CONTRÔLEUR NUMÉRIQUE
AX..... BX..... B.....	36	020519-00	SONDA NTC (T1) PER LD1/LD2/LDU15/LCD32	PROBE FOR DIGITAL THERMOSTAT	FUEHLER	SONDE
AX..... BX..... B.....	37	023070-00	MORSETTIERA 5 POLI	5-TERMINAL JUNCTION BOARD	5-KLEMMENBRETT	5 BORNIERES
AX..... BX..... B.....	38	019687-00	TUBO PVC ANTIGELO MM 14X19	DRAIN PIPE	ABFLUSSROHR	TUYAU DE VIDANGE
B.....	39	011524-00	RESISTENZA 35W 230V CORNICI MASCHIO	DOOR FRAME HEATER	TUER DICHTUNG	JOINT PORTE
B.....	40	021283-00	SONDA NTC (T2) PER LD2/LCD32	PROBE FOR DIGITAL THERMOSTAT	FUEHLER	SONDE



GRUPPO DI
 CONDENSAZIONE
 (023896-00)

TAV.008



MODELLO MODEL MODELL MODELE	POS.	CODICE CODE KODE CODE	DESCRIZIONE	DESCRIPTION	BESCHREIBUNG	DESCRIPTION
AX250.. AX400.. BX250.. BX400.. BX550.. B250.. B400.. B550..	1	017042-07	BASAMENTO GRUPPO FO SKIN	CONDENSING UNIT BASE	UNTERGESTELL VERFLÜSSIGEREINHEIT	BASE UNITÉ DE CONDENSATION
AX250.. BX250.. B250..	2	022261-00	COMPRESSORE GL 60 TB 230V 50HZ	COMPRESSOR	KOMPRESSOR	COMPRESSEUR
AX400.. BX550.. B400.. B550..	2	022260-00	COMPRESSORE GL 90 TB 230V 50HZ	COMPRESSOR	KOMPRESSOR	COMPRESSEUR
AX250.. BX250.. B250..	3	023786-00	SALVAMOTORE T0073-22 GL60TB	SAFETY TEMP. LIMIT SWITCH	SICHERHEITSTHERMOSTAT-KOMPRESSOR	RUPTEUR THERMIQUE DE SÉCURITÉ
AX400.. BX550.. B400.. B550..	3	023789-00	SALVAMOTORE T0057-22 GL90TB	SAFETY TEMP. LIMIT SWITCH	SICHERHEITSTHERMOSTAT-KOMPRESSOR	RUPTEUR THERMIQUE DE SÉCURITÉ
AX250.. BX250.. B250..	4	023787-00	RELE DI AVVIAMENTO MTRP-33-27 GL60TB	STARTING RELAY	KOMPRESSORANLASSEN-RELAIS	RELAIS DEMARRAGE COMPRESSEUR
AX400.. BX550.. B400.. B550..	4	023790-00	RELE DI AVVIAMENTO MTRP-43-27 GL90TB	STARTING RELAY	KOMPRESSORANLASSEN-RELAIS	RELAIS DEMARRAGE COMPRESSEUR
AX250.. AX400.. BX250.. BX400.. BX550.. B250.. B400.. B550..	5	023788-00	CONDENSATORE AVV. 47-56MDF/330V GL-ML	STARTING CAPACITOR	KOMPRESSORANLASSEN-KONDENSATOR	CONDENSEUR DEMARRAGE COMPRESSEUR
AX250.. AX400.. BX250.. BX400.. BX550.. B250.. B400.. B550..	6	023331-00	CONDENSATORE 14 T 4 R	CONDENSER	VERFLÜSSIGER	CONDENSEUR
AX250.. AX400.. BX250.. BX400.. BX550.. B250.. B400.. B550..	7	017038-00	ASS. BACINELLA RACCOGLI CONDENSA SKIN	WATER COLLECTING TRAY	KONDSATSAMMELWANNE	BAC DE COLLECTE DE L'EAU
AX250.. AX400.. BX250.. BX400.. BX550.. B250.. B400.. B550..	8	018085-01	SERPENTINO EVAPORAZIONE CONDENSA - TD SKIN	WATER EVAPORATING COIL	KONDENSATVERDAMPFUNGSSCHLANGE	SERPENTIN ÉVAPORATION DE L'EAU
AX250.. AX400.. BX250.. BX400.. BX550.. B250.. B400.. B550..	9	022139-00	SUPPORTO CONDENSATORE FO NL	CONDENSER SUPPORT	VERFLÜSSIGERHALTERUNG	SUPPORT CONDENSEUR
AX250.. AX400.. BX250.. BX400.. BX550.. B250.. B400.. B550..	10	023899-00	USCITA SERPENTINO INGRESSO CONDENS. - TD AL	COIL-OUT CONDENSER-IN PIPE	ROHR ROHRSCHLANGENAUSTRITT - VERFLÜSSIGEREINTRITT	SORTIE SERPENTIN ENTRÉE CONDENSEUR
AX250.. AX400.. BX250.. BX400.. BX550.. B250.. B400.. B550..	11	022201-00	TUBO USCITA CONDENSATORE - TD NL	CONDENSER OUTLET PIPE	VERFLÜSSIGERAUSTRITTSROHR	TUYAU DE SORTIE CONDENSEUR
AX250.. AX400.. BX250.. BX400.. BX550.. B250.. B400.. B550..	12	014615-00	FILTRO DEIDRATORE DN 032 S 6MM	FILTER DRIER	TROCKNER	FILTRE SECHANT
AX250.. AX400.. BX250.. BX400.. BX550.. B250.. B400.. B550..	13	014665-00	TUBO USCITA FILTRO PER FV-FO	FILTER DRIER OUTLET PIPE	AUSTRITTSROHR FILTERTROCKNER	TUYAU SORTIE FILTRE DÉSHYDRATEUR
B250.. B400.. B550..	14	012719-00	VALVOLA SOLENOIDE EVR3 6MM ODF	SOLENOID VALVE	HEISSGASVENTIL	SOUPAPE SOLENOIDE

MODELLO MODEL MODELL MODELE	POS.	CODICE CODE KODE CODE	DESCRIZIONE	DESCRIPTION	BESCHREIBUNG	DESCRIPTION
AX250.. AX400.. BX250.. BX400.. BX550.. B250.. B400.. B550..	15	012722-00	VALVOLINA RICARICA FIL. 1/4" FILX1/4" A SALD.	RECHARGE VALVE	SCHRADERVENTIL	SOUPAPE RECHARG.
AX250.. AX400.. BX250.. BX400.. BX550.. B250.. B400.. B550..	16	012691-02	TUBO RICARICA PER FV-SA	RECHARGE TUBE	BEFÜLLROHRE	TUYAU DE RECHARGE