

# DEXION

**SPARE PARTS CATALOGUE  
ERSATZTEILKATALOG  
CATALOGUE PIECES DETACHEES  
CATALOGO PARTI RICAMBIO  
CATALOGO DE PIEZAS DE RECAMBIO  
CATALOGO PEÇAS DE REPOSICAO**

LP051-06-000

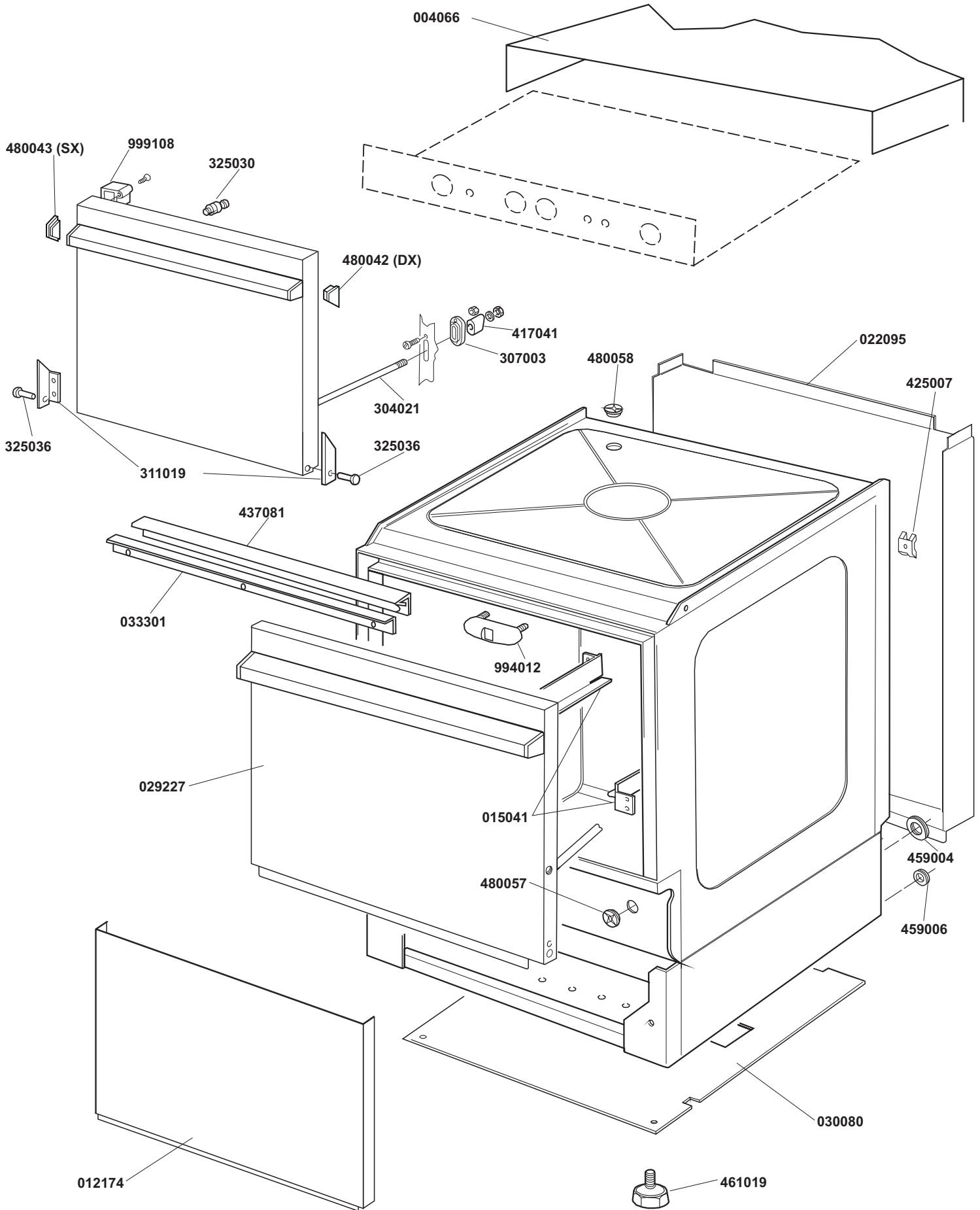
LP051-06-000P

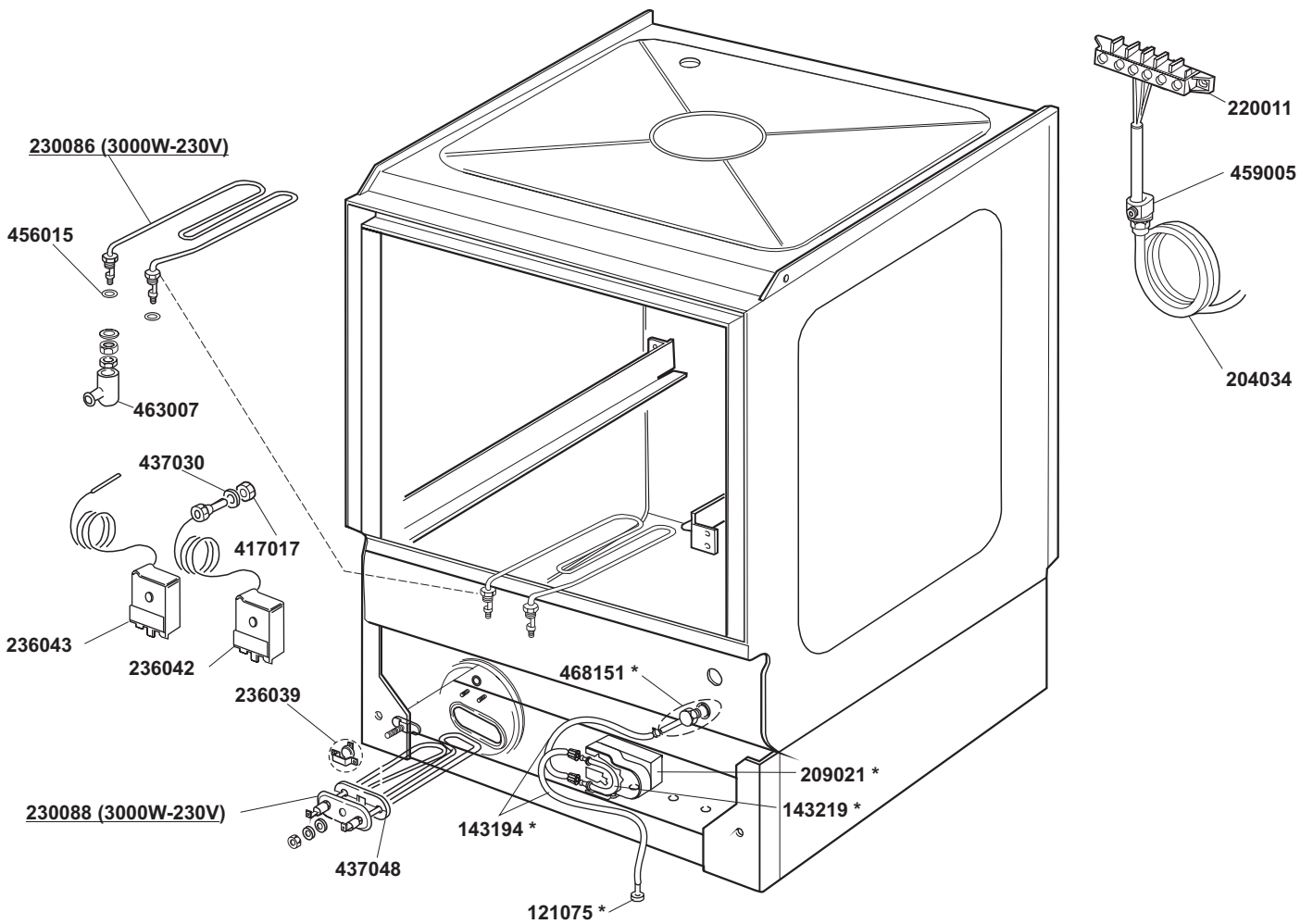
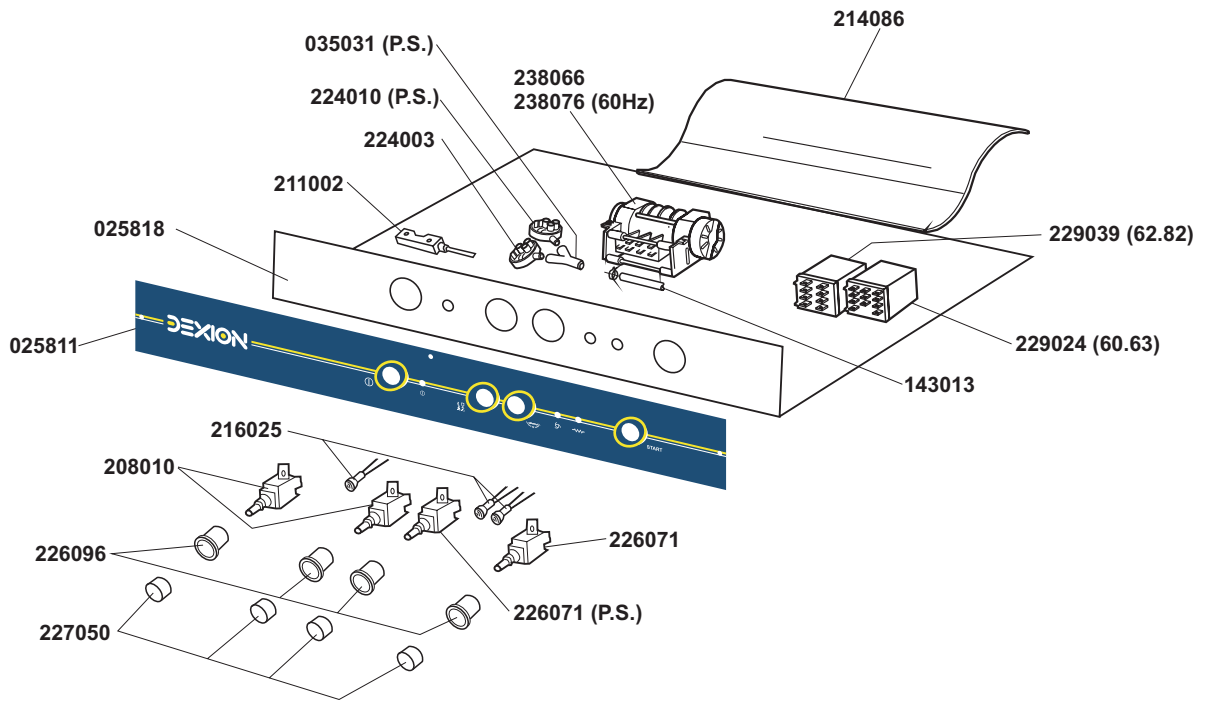
LP053-06-000

LP051-06-100

LP054-ZH.

15-12-2008

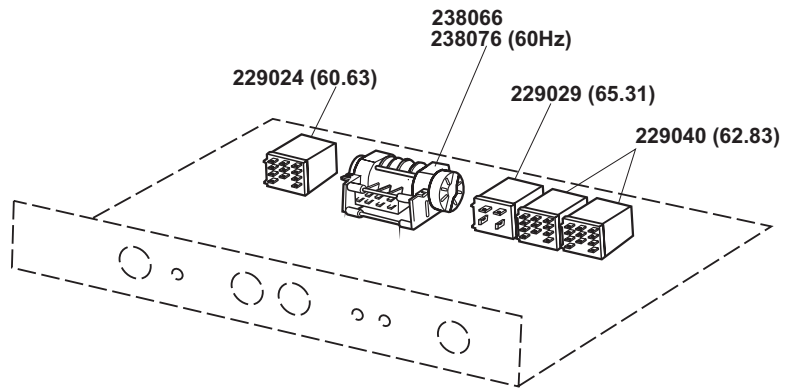




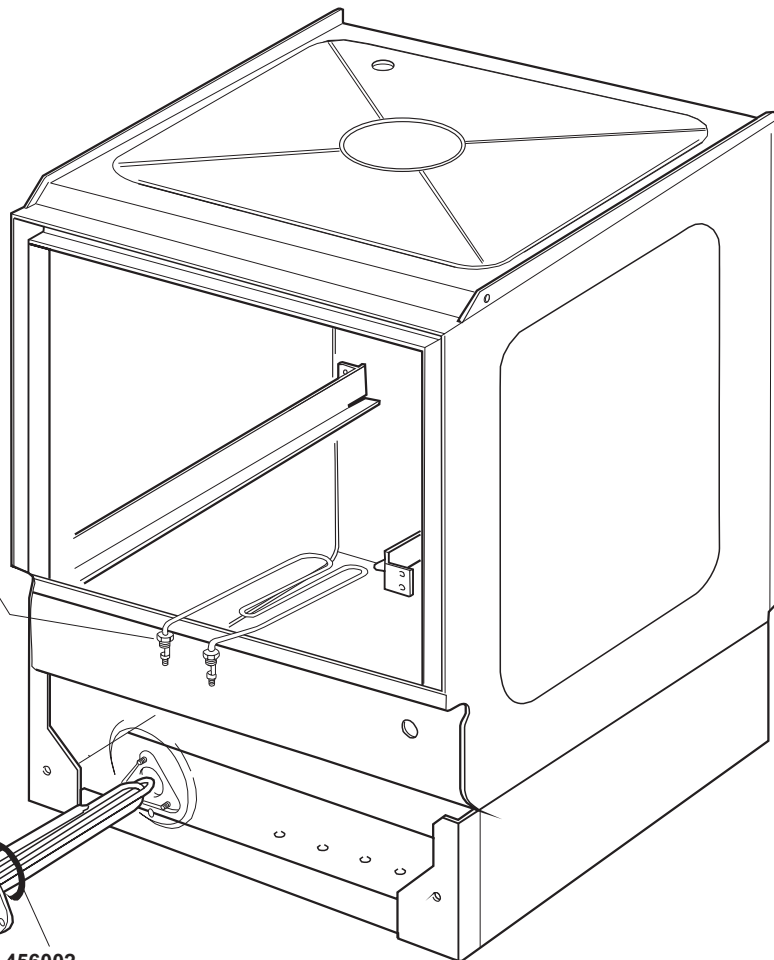
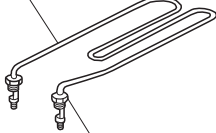
\*Optional

(P.S.)=pompa scarico

# 2a



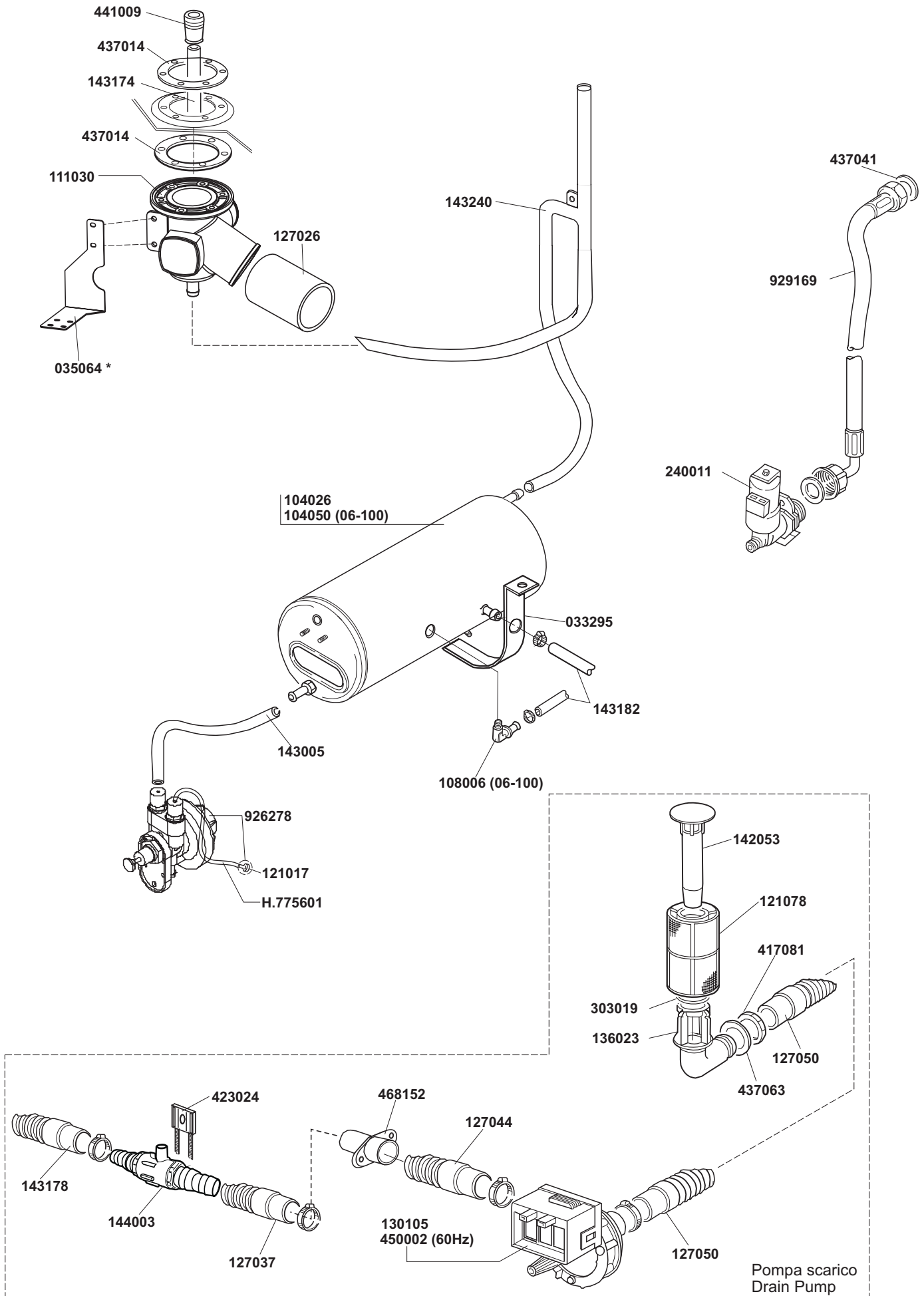
230086 (3000W-230V)

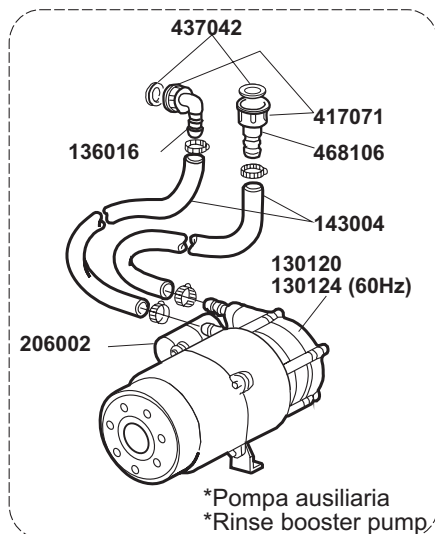
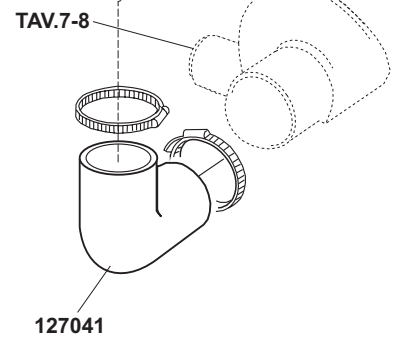
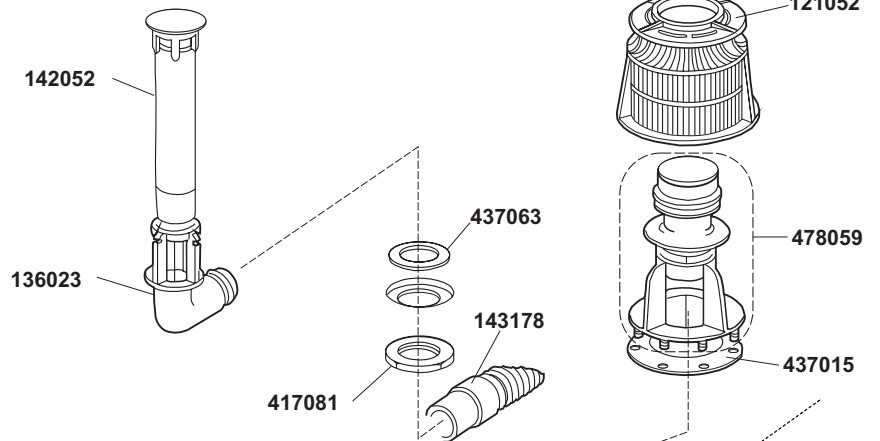
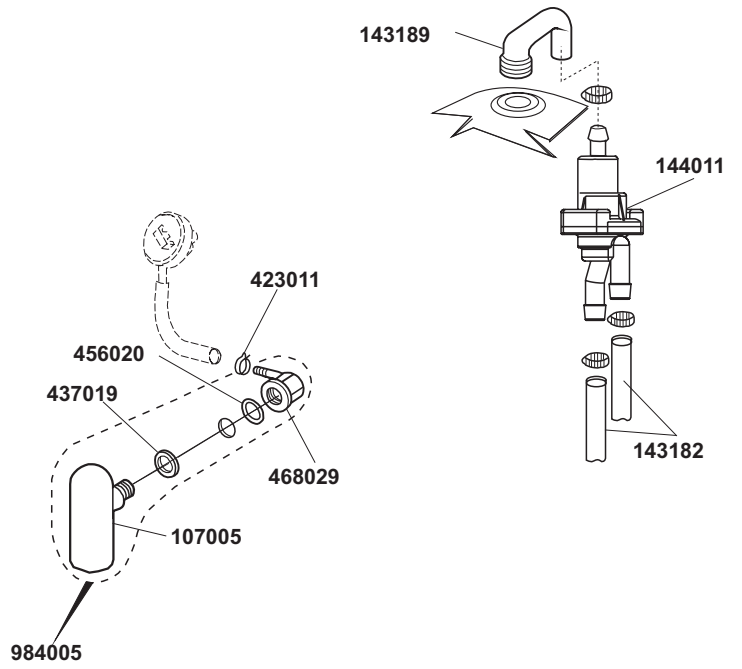
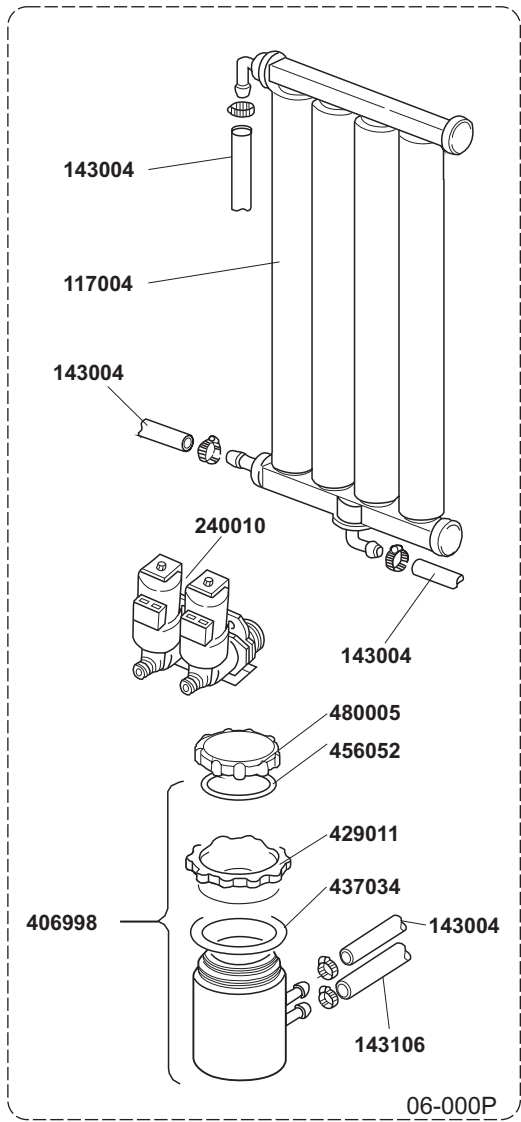


230081 (4500W-220-380V)  
(5355W-240-415V)

456002

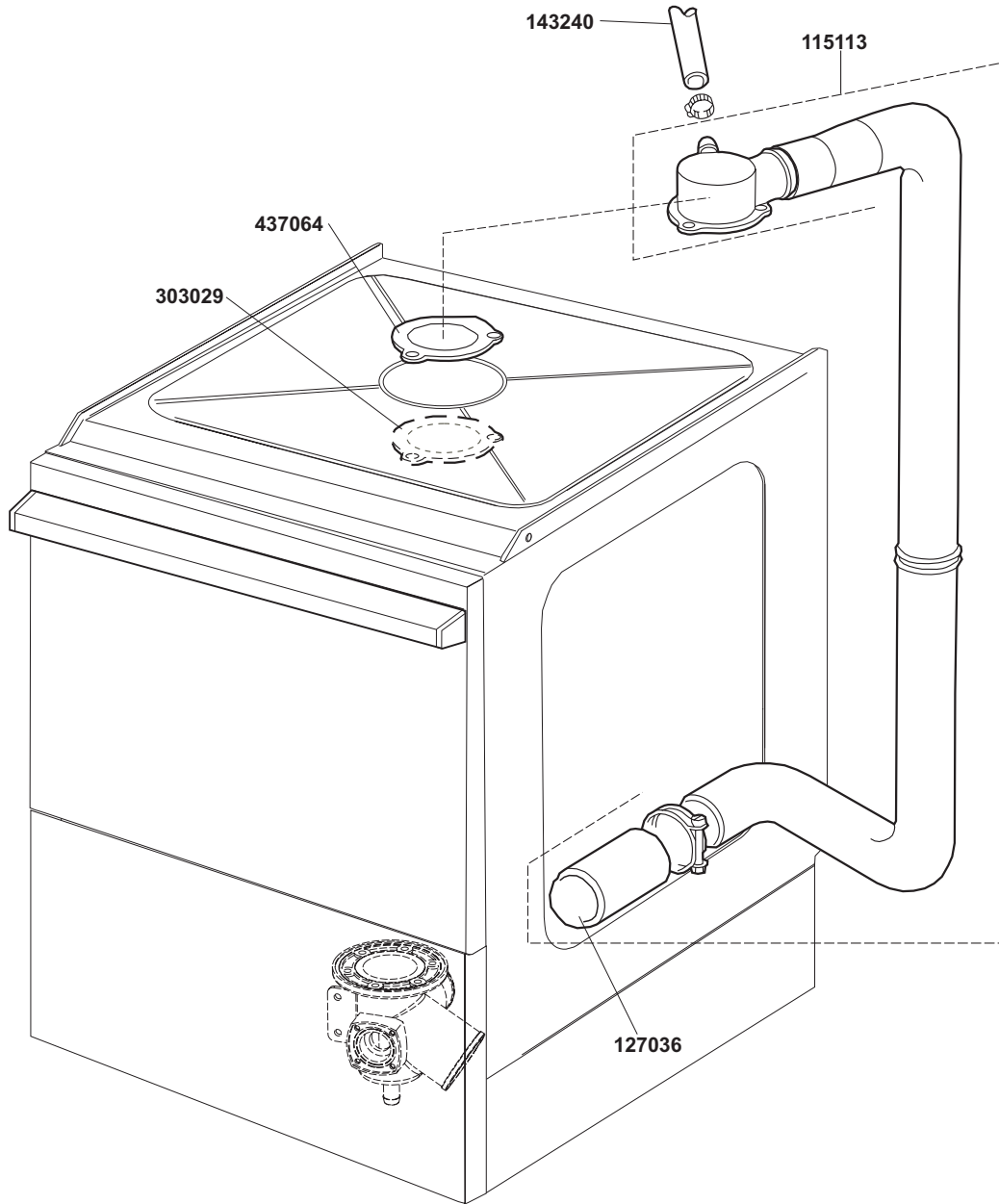
467002



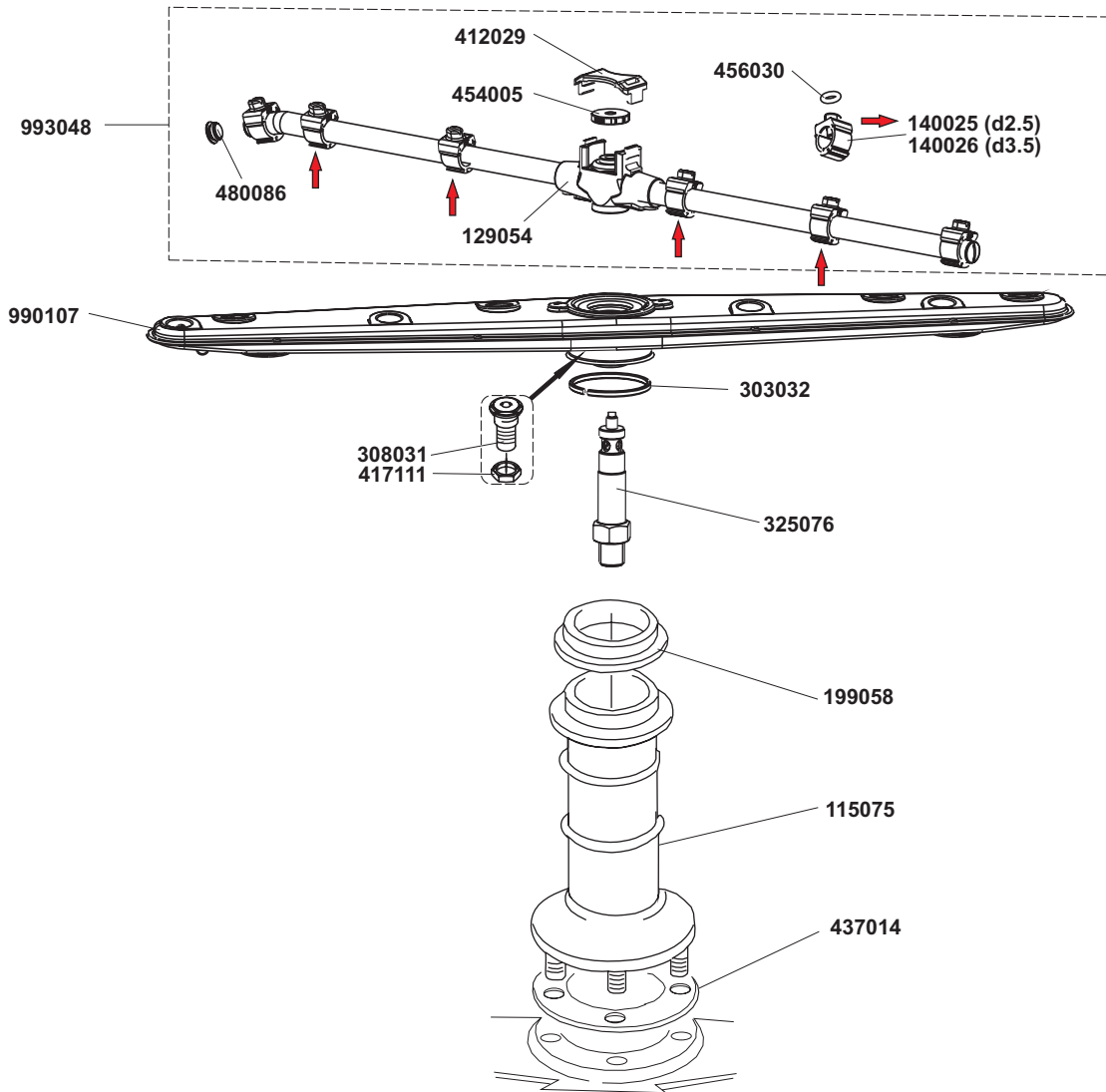
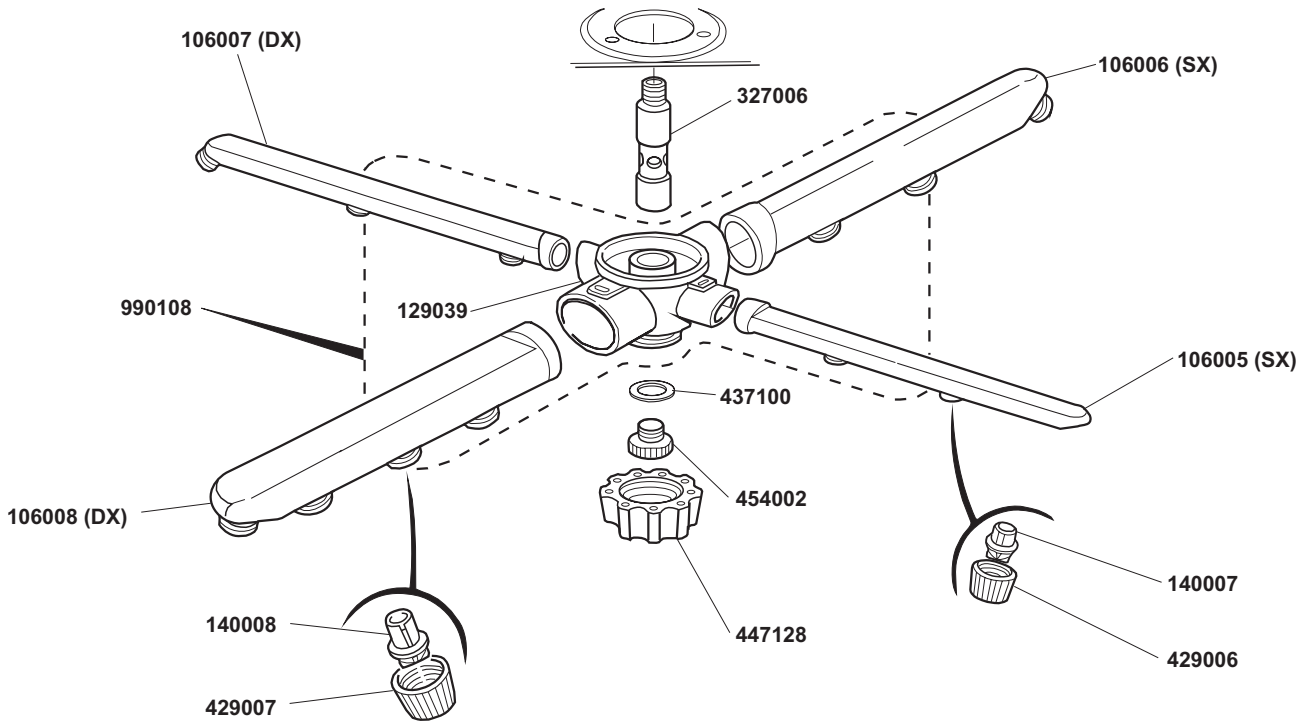


\*Pompa auxiliaria  
\*Rinse booster pump.

\*Optional



# 6

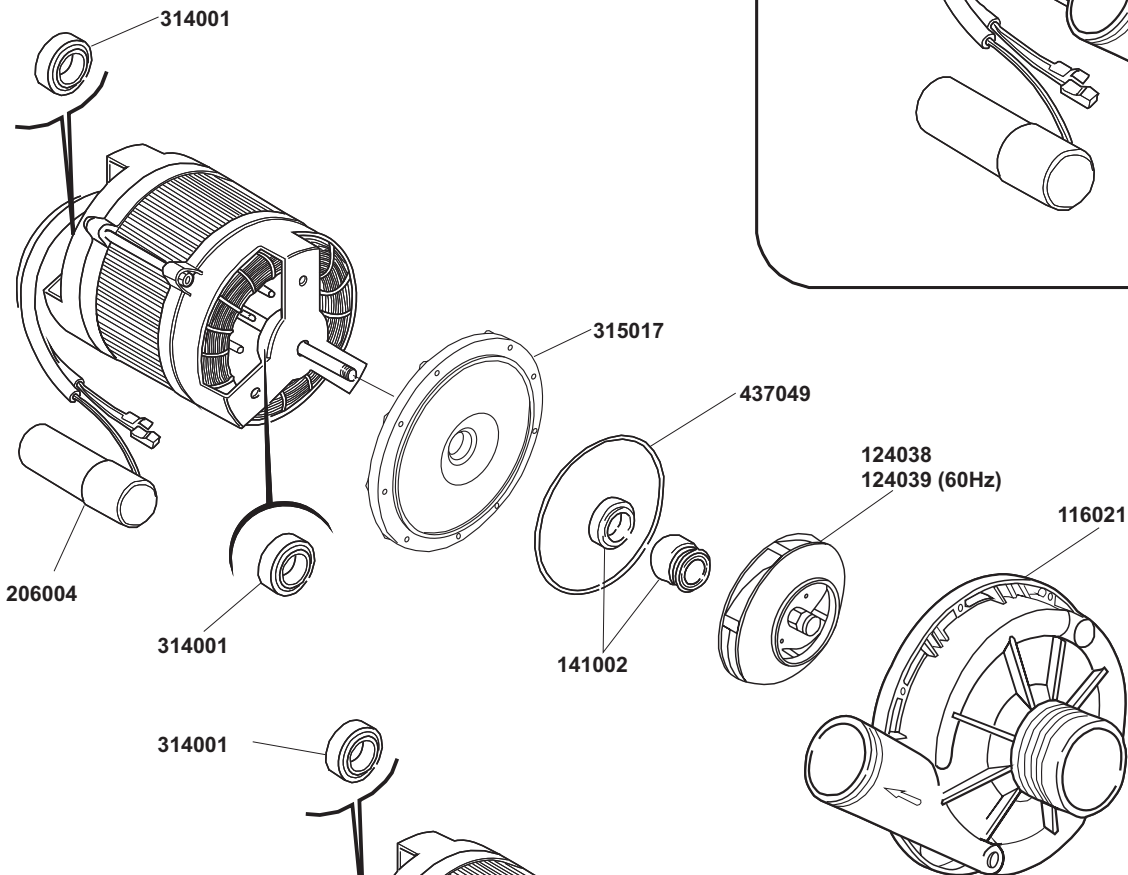
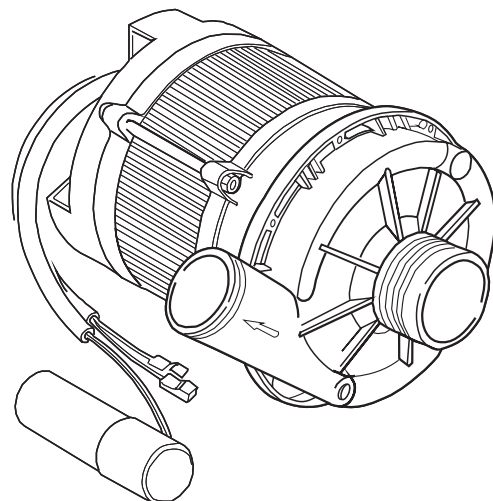




# B. 237

130109 (230V- 50Hz)

130119 (230V- 60Hz)



# T. 173

206004

314001

314001

314001

315022

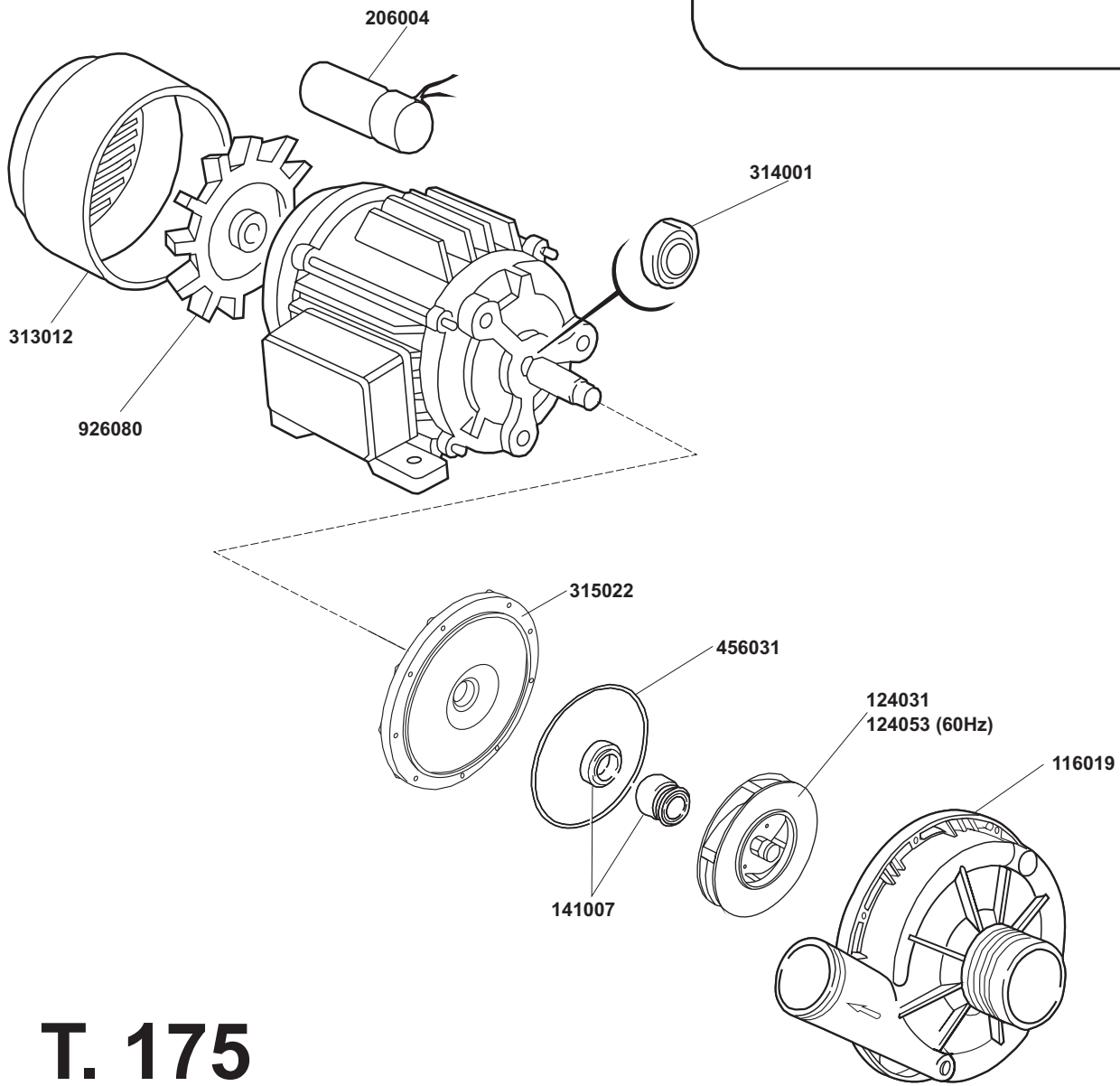
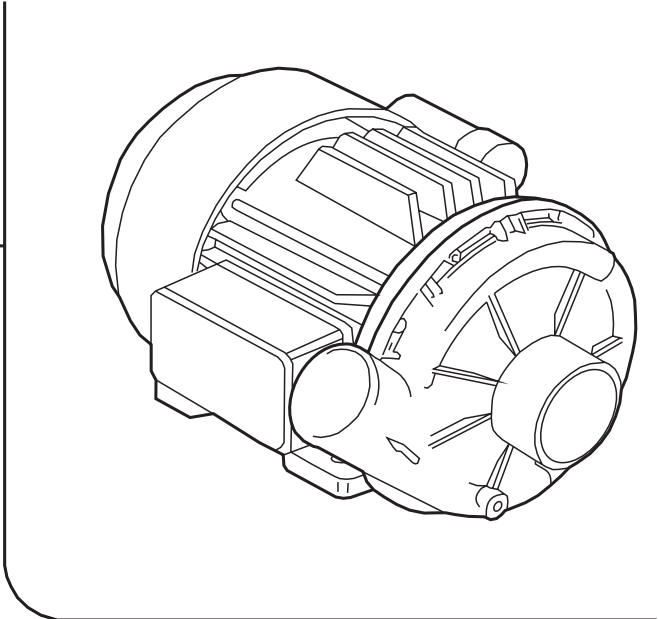
456031

141007

124031  
124053 (60Hz)

116019

130126 (230V- 50Hz)  
130133 (230V- 60Hz)



# T. 175

