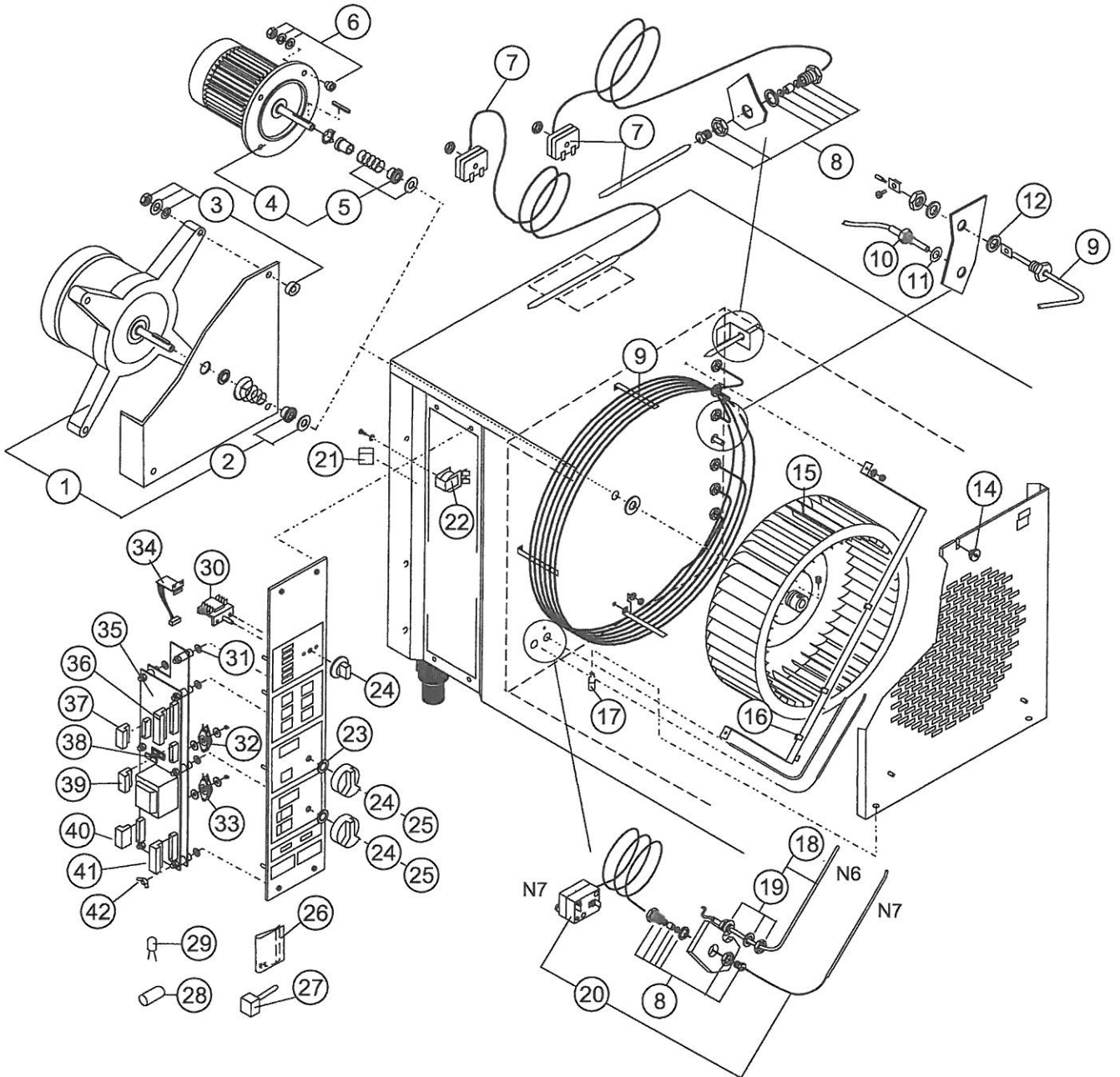


8. Spare Part List (valid until 12/98)

8.1 Spare Part List OD 6.10

8.1.1 Part 1



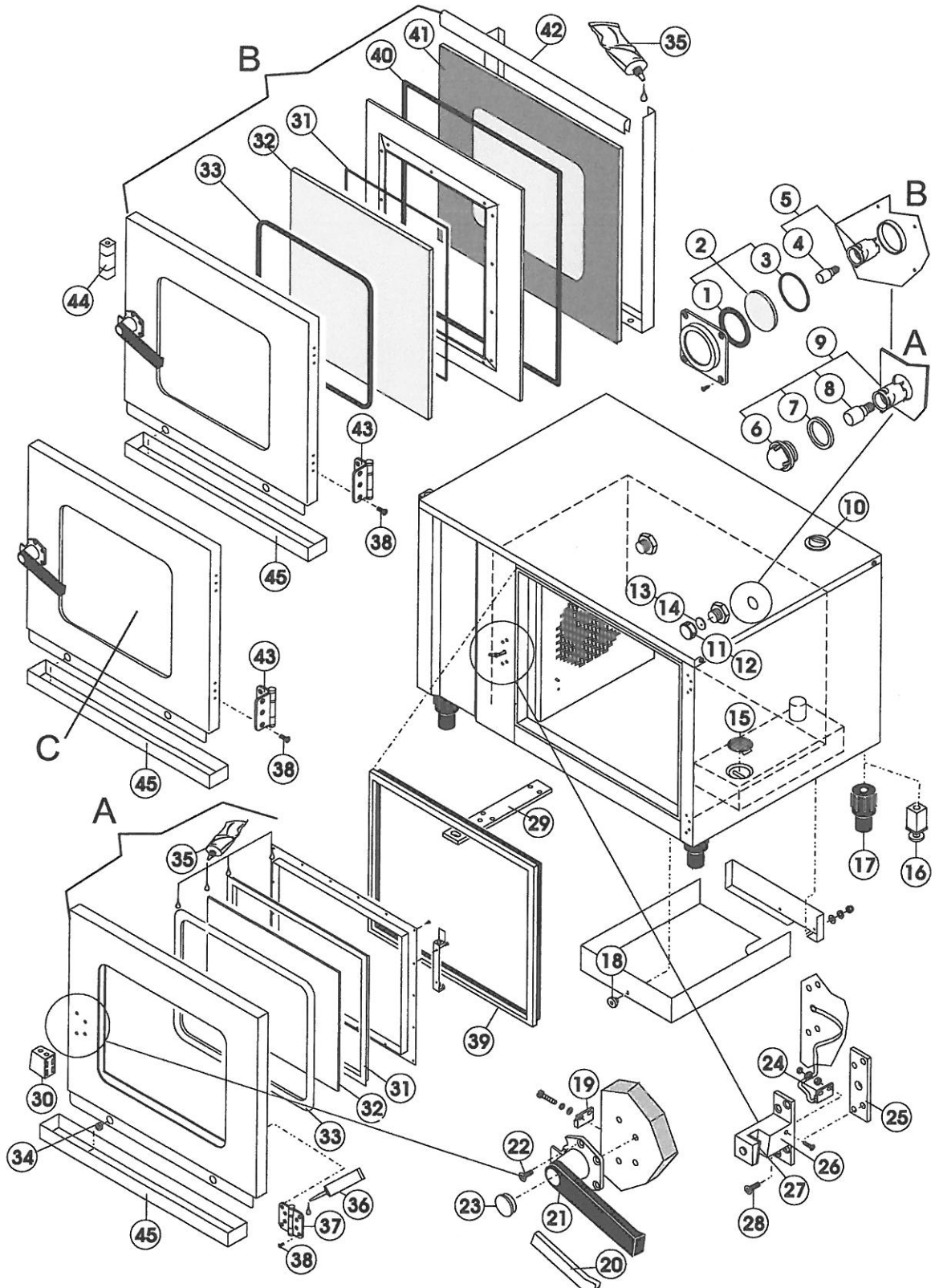
8. Spare Part List (valid until 12/98)

Pos.	Part No.	Model	Description
1	500 80 36	compact	3-phase AC-Motor open, 200 Watt complete with set of seals
1	500 80 59	2 fan speed	3-phase AC-Motor open, 6/4 pole., 230 V, incl. set of seals
1	500 80 60	2 fan speed	3-phase AC-Motor open, 6/4 pole., 400 V, incl. set of seals
2	500 80 67		Set of seals for motor spindle open
3	500 80 66		Fitting for 3-phase AC-Motor open(Pos. 1)
4	500 80 51	1 fan speed	3-phase AC-Motor 320 W complete with set of seals
5	600 50 79		Set of seals for motor spindle with closed motor
6	500 80 50		Fitting for 500 80 51 = 3-phase AC-Motor 320 W
7	500 10 30	N7	Safety thermostat convection heating
8	600 50 80		Stuffing bush (small) incl. seal 600 50 81
9	500 70 33	9 kW / 220 V	Heating element OD 6.10 incl. Fitting for heating element 5007022
10	500 90 52		Temperature probe PT 100, B3, B4, B5, N6
11	600 50 16	ϕ 10 x ϕ 19 x 2	Flat seal B1, B2, B3, B4, B5, N6
12	600 50 55		Flat seal convection heating
14	600 50 35		Round nut for suction panel
15	600 00 56	V 2 A	Fan wheel 355 x 114
16	500 10 17		Mounting clip for oven probe L-shaped
17	600 50 33		Threaded stud for suction panel 10 x 27
18	500 10 23	N6	Oven probe L-shaped
19	500 10 24		Seal set oven probe L-shaped
20	500 10 29		Safety thermostat convection heating
21	400 10 75		Interference filter for valve / buzzer
22	400 30 50		Buzzer 230 V
23	500 91 08		Seal
24	600 30 10		Knob OD
25	600 30 23		Knob-MKN
26	500 90 09		Conductor clip
27	500 90 95		Potentiometer
28	500 90 85	yellow	Push button cap (IRG,ACD)
28	500 90 84	white	Push button cap (Koch)
29	500 30 46		Bulb for key back lighting
30	500 30 22	4 pole	Rotary switch
30	500 30 23		Rotary switch for reduced power and fan speed
31	600 50 54		Silicon washer 10 x 4 (2x per bolt)
32	500 90 83		Spring loaded knob - temperature
33	500 90 82		Spring loaded knob - time / CTC
34	500 90 43	magic	OD Magic eye - Infrared module
35	500 90 29	3032	Electronic board with Eprom chip 8.1X
35	500 90 08	3031	Electronic board with Eprom chip 7.1X (not IPX5)
36	400 60 03	12 pole	Terminal block 1,5 - P1 -
37	400 50 93	4 pole	Terminal block 1,5 - X8 -
38	500 91 82	3032	Eprom version 8.1X, 250 programs, Auto Start, with CTC
38	500 91 87	3031	Eprom version 7.1X, 250 programs, Auto Start, with CTC
38	500 90 91	3030/3020/3200	Eprom version I 4.27 without CTC
38	500 90 92	3030/3020/3200	Eprom version III 4.27 with CTC and Auto Start
38	500 90 98	3031	Eprom version 6.0X, 250 programs, Auto Start, without CTC
38	500 90 99	3031	Eprom version 6.1X, 250 programs, Auto Start, with CTC
38	500 91 00	3030/3200	Eprom version 5.01 20 programs, Auto Start, with CTC
39	400 60 02	7 pole	Terminal block 1,5 - P2 -
40	400 60 21	7 pole	Terminal block 1,5 - P6 -
41	400 60 22	6 pole	Terminal block 1,5 - P7 -
42	800 40 24	M 4	Wing nut

8. Spare Part List (valid until 12/98)

8.1 Spare Part List OD 6.10

8.1.2 Part 2



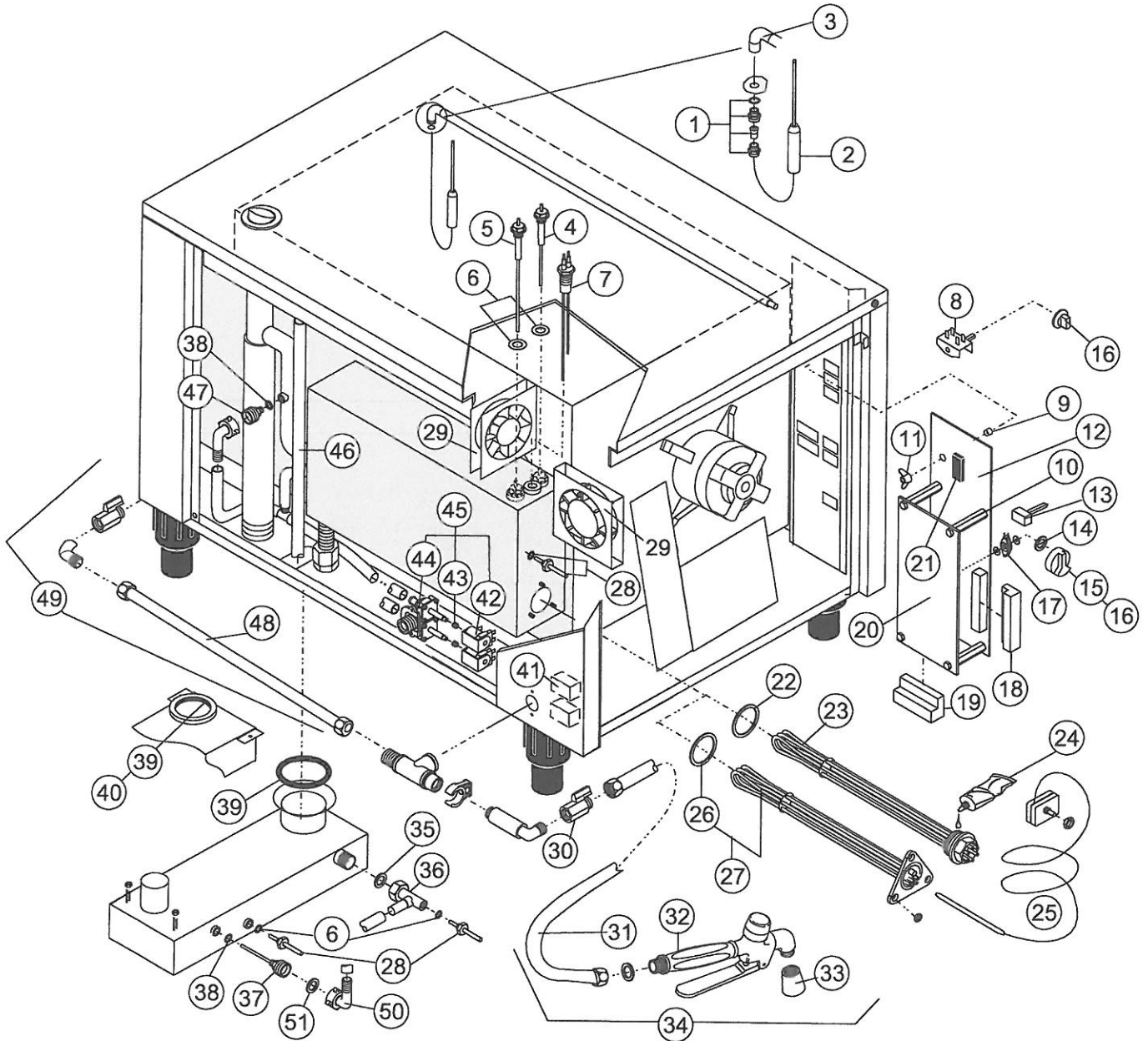
8. Spare Part List (valid until 12/98)

Pos.	Part No.	Model	Description
1	600 50 13		Flat seal ϕ 59 x 70 for oven lamp
2	500 50 22	Ceran	Glass cover for oven lamp
3	600 50 13	59.6 x 5.33	O-Ring
4	500 50 45	230-240V 25 Watt	Bulb temperature resistant 25W
5	500 50 16	25 Watt	Socket with Bulb 25W
6	500 50 17		Cover glass, shock - proof
7	500 50 25		Seal for lamp
8	500 50 40	15 W / 220 V	Bulb temperature resistant
9	500 50 12		Oven lamp complete
10	600 50 48	DG 48	Membrane socket bush ϕ = 60
11	600 60 81	ϕ = R1 1/4 "	Steam generator drain cap
12	600 60 82	ϕ = R 1"	Steam generator drain cap
13	600 50 67	ϕ = 36	Seal for steam generator drain cap R 1"
14	600 50 74	ϕ = 45	Seal for steam generator drain cap R1 1/4 "
15	600 50 24		Drain sieve
16	600 40 32		Adjustable foot 40x40
17	600 40 47		Adjustable foot (plastic) black
18	800 40 23	M 4	Knurled nut for condenser casing
19	500 30 76		Door magnet
20	600 20 58	for old model	Coat for latch handle
21	600 20 53	right	Door latch (new)
21	600 20 48	left	Door latch (new)
22	600 20 43		Fixing set for 600 20 53/48 Door latch
23	600 20 56		Plastic plug for Door latch
24	500 30 75		Door magnet switch
25	600 20 66		Plastic base plate 100 x 32 x 7
26	600 20 49	left	Door catch
26	600 20 54	right	Door catch
27	600 20 60	left	Plastic inset for door catch
27	600 20 62	right	Plastic inset for door catch
28	600 20 47		Fixing set for 600 20 54/49 door catch
29	200 50 41	Option	Fastening plate for extension arm (with 200 50 39 fixing set)
30	600 20 17	Option	Door stop 30 x 45 (with 600 20 24 fixing set)
31	700 10 41	2,5m (per meter)	Window gasket inside
32	600 80 30		Safety glass for door 500 x 400 x 5
33	700 10 42	2,5m (per meter)	Window gasket outside
34	600 50 37		Round nut for drip tray
35	700 40 20	E 43	Silicon glue
36	700 40 12	10 ml	Loctite
37	600 10 32	right	Hinge Hs 80
38	600 10 33	right	Fixing set for hinge
39	700 10 16		Hygienic door gasket OD/HUD 6.10
40	700 10 36	perfect/magic	Seal frame OD 6.10
41	600 80 25	perfect/magic	Door window inside OD 6.10 varnished
42	700 10 43	0,8m (per meter)	Safety cover for window edge
43	600 10 27	perfect/magic	Hinge for full - glass - door
44	600 10 52		Hinge for left side door
45	200 40 50		Door drip tray
C	--	on request	Double full glass door (only complete available)

8. Spare Part List (valid until 12/98)

8.1 Spare Part List OD 6.10

8.1.3 Part 3



8. Spare Part List (valid until 12/98)

Pos.	Part No.	Model	Description
1	500 20 61		Seal set CTC-/N6
2	500 20 62		Core temperature probe Teflon
3	600 50 94	PG 9	Bracket for probe gland - elbow
4	500 90 68		Water level probe -B2 s- ODC 6.10 130 mm
5	500 90 66		Water level probe -B1 s- ODC 6.10 160mm
6	600 50 16	Ø10xØ19x2	Flat seal B1, B2, B3, B4, B5, N6
7	500 90 62		Water level probe 155/125
8	500 30 22	4 pole	Rotary switch
9	800 90 48		Spacer (Electronic - mounting)
10	800 40 10		Spacer bolts (Electronic - mounting)
11	800 40 24	M 4	Wing nut
12	500 90 17	40 10 A	Electronic board (Processor board)
13	500 90 95		Potentiometer for temperature / time / CTC
14	500 91 08		Seal Potentiometer
15	600 30 23		Knob-MKN
16	600 30 10		Knob OD
17	500 90 83	compact	Spring loaded knob temperature / time /CTC
18	400 60 20	14 pole	Terminal block -X1-
19	400 60 46	18 pole	Terminal block -X2-
20	500 90 87	40 10 A	Electronic board (Power board)
21	500-91-01	4010 / 4010A	Eprom-version 1.0X, without CTC, compact
21	500-91-02	4010 / 4010A	Eprom-version 1.1X, with CTC, compact
21	500-91-85	4010 / 4010A	Eprom-version Hansa V 0.01X, without CTC, compact
21	500-91-86	4010 / 4010A	Eprom-version V0.02X, without CTC, compact
22	600 50 65	R 1,5 "	Flat seal for immersion heating element
23	500 70 66	9 kW / 220 V	immersion heating element - threaded version
24	700 40 15	500 g	Molykote
25	500 10 26	N8 135°C	Safety thermostat flange immersion heating element
26	600 50 15		O-Ring for immersion heating element
27	500 70 71	9 kW/220V	immersion heating element - flange version OD 6.10 + 10.10
28	500 90 52		Temperature probe PT 100 B3,B4,B5
29	500 80 65		Cooling fan 12 V DC, small (above steam generator)
29	500 80 68		Cooling fan 12 V DC, large
30	600 60 74		Ball valve
31	700 20 70	2,05 m	Shower hose
32	600 50 05		Handshower
33	600 50 06		Shower head
34	300 70 03	2,05 m	Handshower-Set compete for 6.10,10.10,12.20
35	600 50 56		Flat seal
36	200 00 22		Gauge pipe Bypass
37	200 00 26		Injection nozzle condenser
38	600 50 62		O-Ring
39	600 50 69		O-Ring 59,6 x 5,33 for condenser

8. Spare Part List (valid until 12/98)

40	600 50 68		O-Ring 42,5 x 5,33 for condenser (only 6.10 old)
41	400 10 75		Interference filter for valve / buzzer
42	500 10 66		Solenoid for solenoid valve
43	500 10 74		Spring for solenoid valve - solenoid
44	500 10 57		Double solenoid valve - body
45	500 10 56		Double solenoid valve
45	500 10 58		Single solenoid valve
46	200 60 30		Cable sleeve OD 6.10 (shorten if necessary)
47	200 00 27		Injection nozzle "Filling of steam generator"
48	700 20 76		Shower hose - Extension for Left hand closing door
49	300 70 30		Handshower set OD 6.10/1010 for Left hand closing door
50	600 60 76		Plastic elbow
51	600 50 57		Seal for plastic elbow