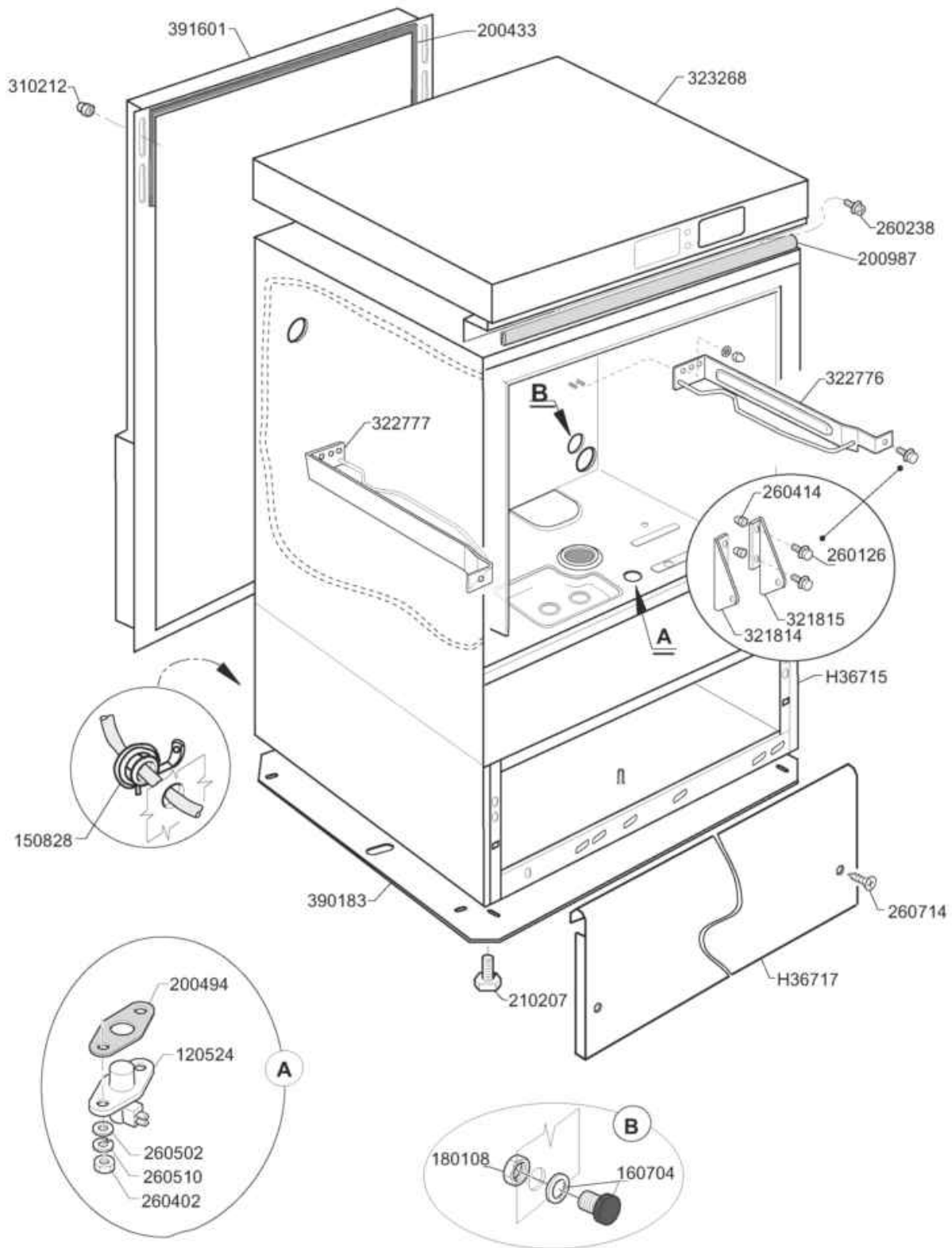
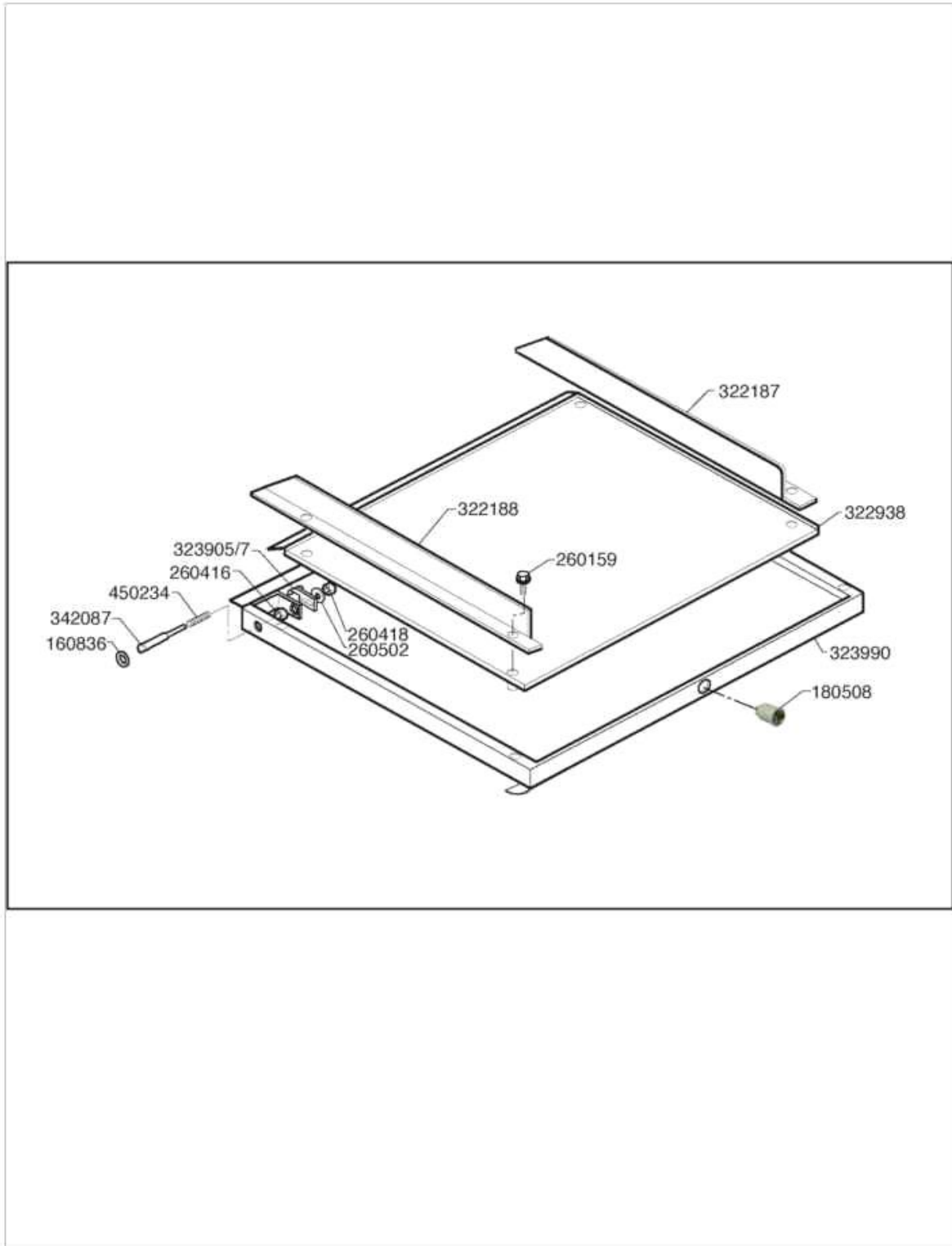


- 1 Hood
- 2 Door
- 3 Control box
- 4 Rinse
- 5 Wash
- 6 Wash Pump
- 7 Arm
- 8 Rinse Aid Injector
- 9 Drain pump kit



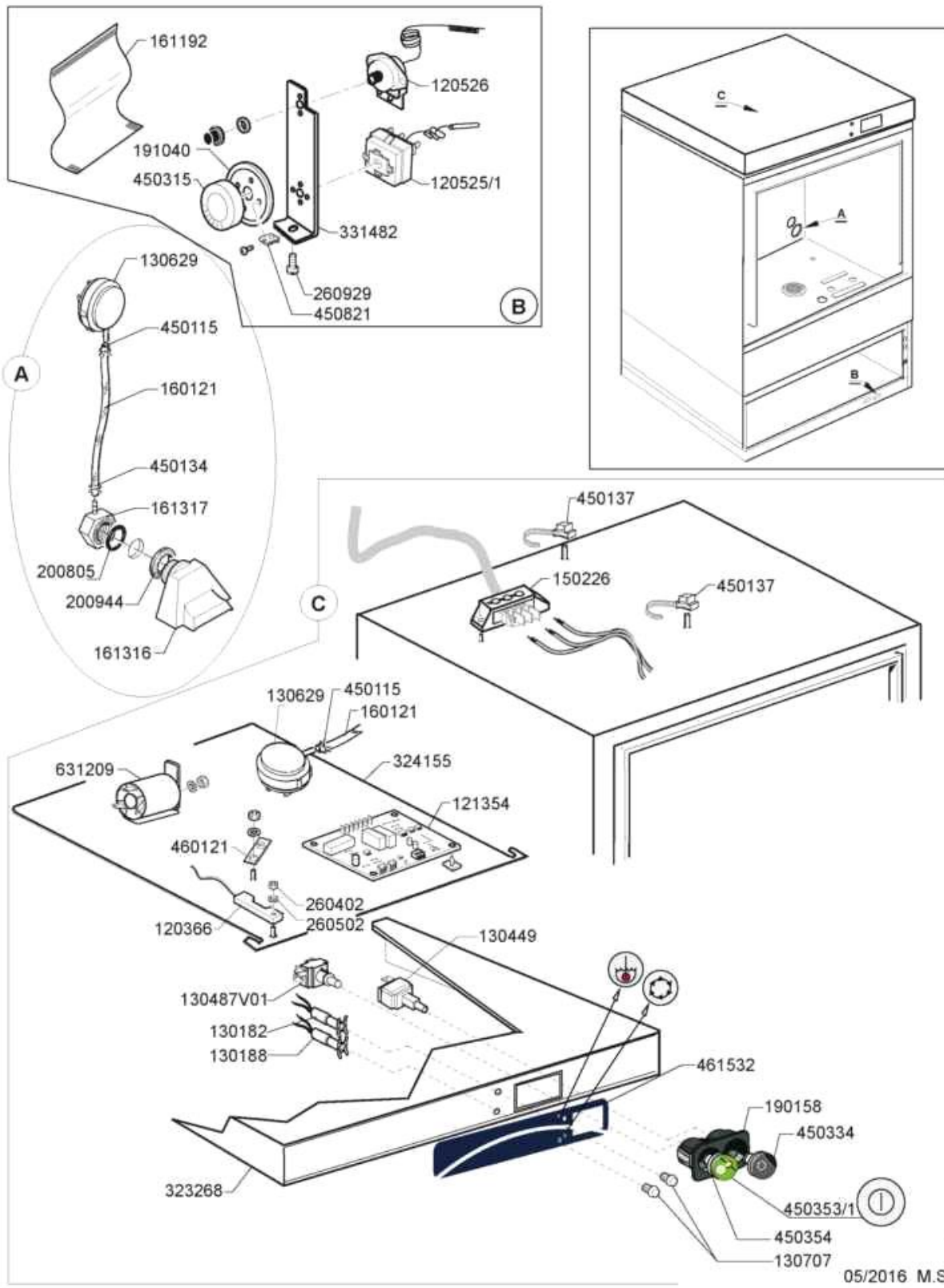
04-2014 M.S.

Code	Description	Price ()
120524	TANKTHERMOSTAT GLASSWASHER	
150828	CABLE HOLDER PA/107	
160704	BLACK PLUG WITH GASKET 1/2"GAK	
180108	PLASTIC NUT 1/2"	
200433	SPONGY RUBBER RECT. 6X2,5 ADHE	
200494	GASKET FOR TANKTHERMOSTAT BT	
200987	DOOR GASKET	
210207	FOOT BHC	
260126	SCREW TE 5X12	
260238	M4 X 10 MUSH/HD SCREW	
260402	STAINLESS STEEL NUT D4 UNI 55	
260414	SELF-LOCKING NUT M5	
260502	S/S FLAT WASHER D.4	
260510	GROWER WASHER D.4	
260714	SCREW 4,2X19	
310212	BLIND NUT M6 BLACK NYLON	
321814	LEFT DOOR HINGE	
321815	RIGHT DOOR HINGE	
322776	RIGHT RAIL LB	
322777	LEFT RAIL LB	
323268	UPPER COVER RG40	
390183	PANEL LB200-260	
391601	BACK PANEL	
H36715	RG26 HOOD	
H36717	RG FRONT PANEL	

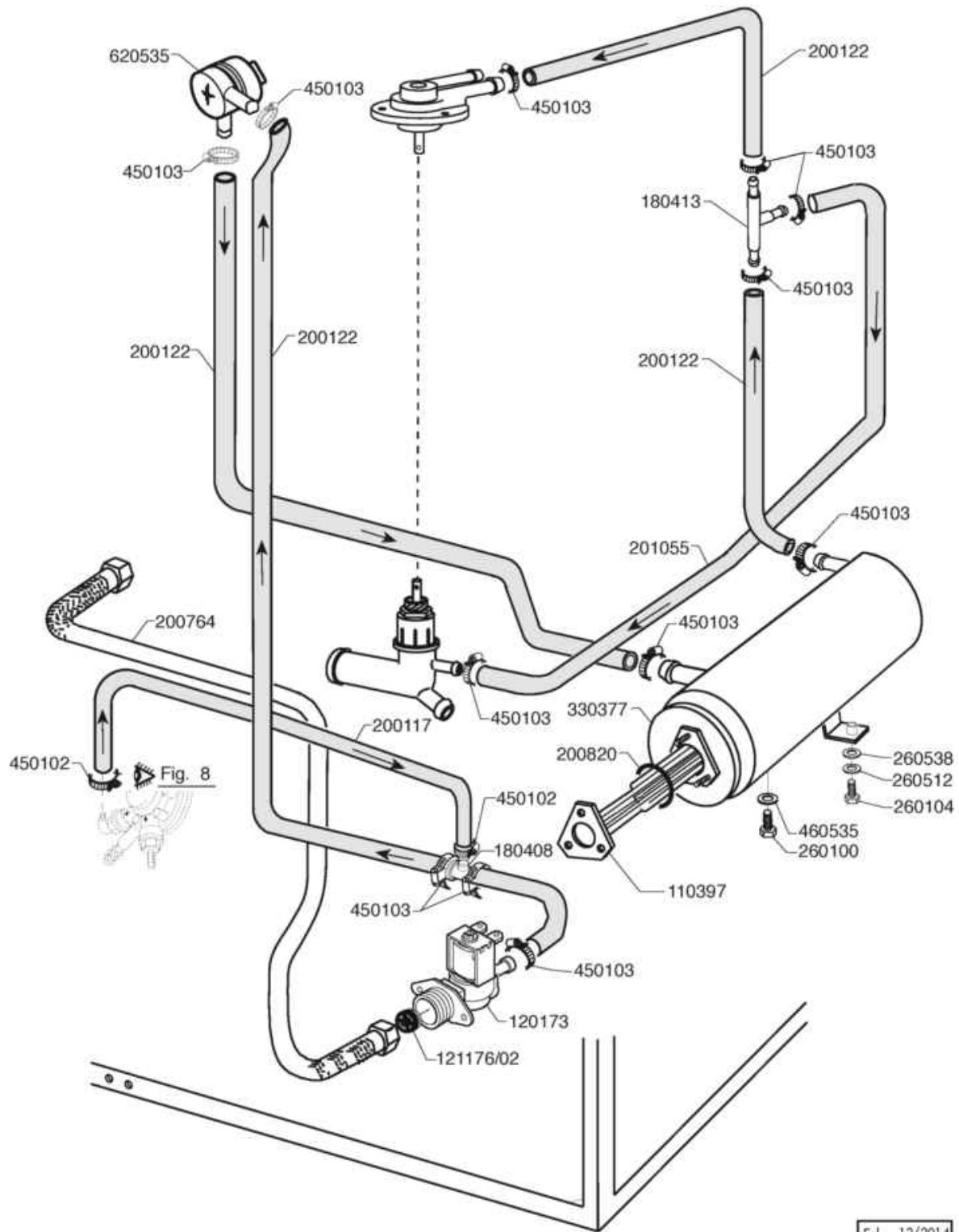


Ed.	12/2014
Rev.	
Data	

Code	Description	Price ()
160836	DOOR WASHER BR-BC-FC	
180508	DOOR CATCH	
260159	SCREW	
260416	STAINLESS STEEL NUTS M6	
260418	SELF-LOCKING NUT M4	
260502	S/S FLAT WASHER D.4	
322187	RIGTH GUIDE LBC275	
322188	LEFT GUIDE LBC275	
322938	DOOR BACK PANEL CH-CA26	
323990	DOOR	
342087	PIN	
450234	SPRING	

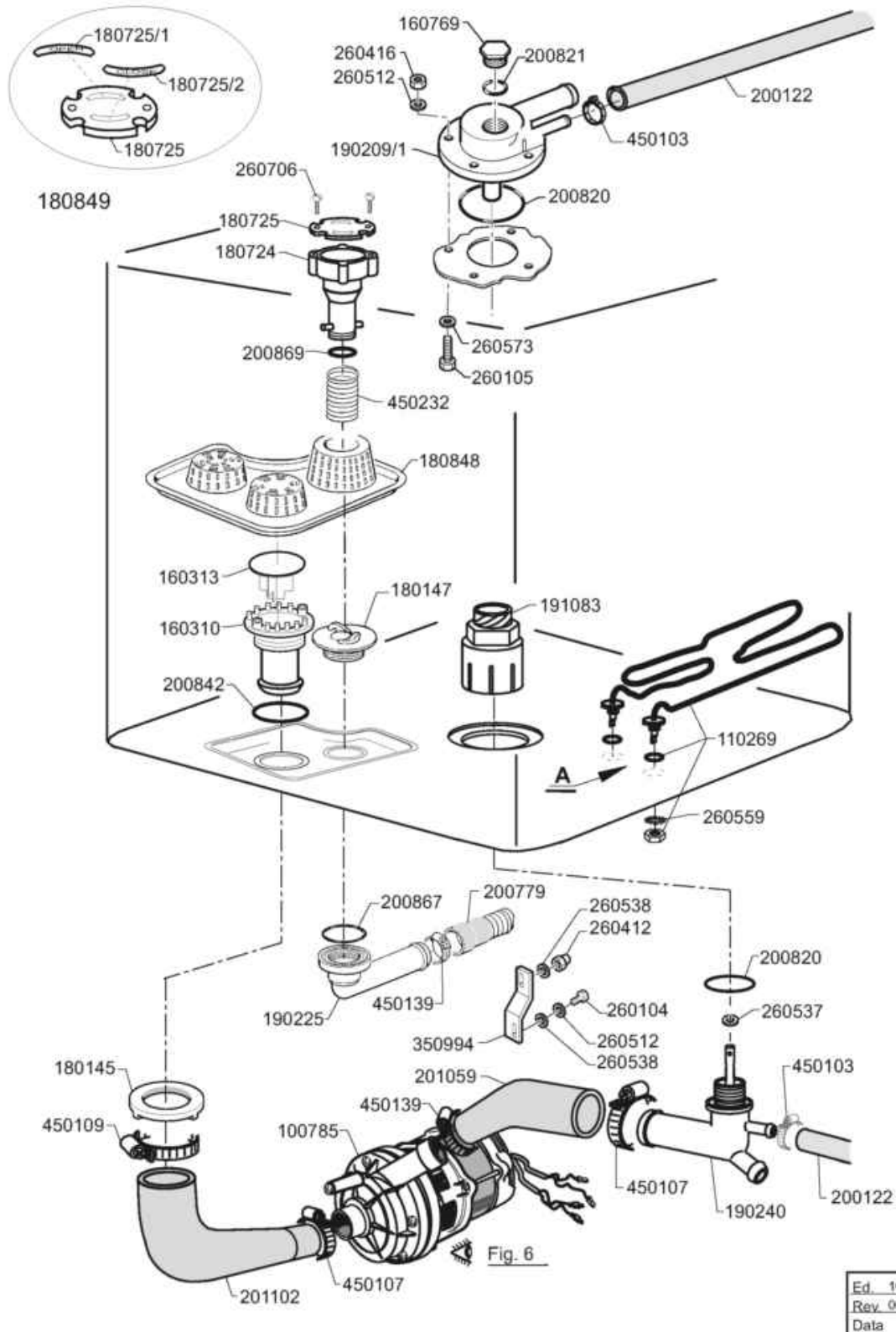


Code	Description	Price ()
120366	MAGN.SENSOR	
120525/1	BOOSTER THERMOSTAT 2 TEMPERAT.	
120526	SAFETY THERMOSTAT 2POLES	
121354	PCB ELETTR. HC SERIES (2012)	
130182	GREEN LAMP	
130188	GREEN LED 220V	
130449	PUSH BUTTON BR-BC-FC	
130487V01	SWITCH CM DE. BIP D-D (E0506)	
130629	PRESSURE SWITCH 1L30-12	
130707	TRANSPARENT LENS COVERS (C-SER	
150226	TERMINAL BLOCK	
160121	HOSE EPDM D. 5 X 9	
161192	CONTROL BOX COVER	
161316	AIR TRAP	
161317	NUT FOR AIR TRAP	
190158	SUPPORT	
191040	FRAME F.THERMOSTAT KNOB	
200805	OR GASKET 2,62X28,24X33,48	
200944	GASKET	
260402	STAINLESS STEEL NUT D4 UNI 55	
260502	S/S FLAT WASHER D.4	
260929		
323268	UPPER COVER RG40	
324155	CONTROL BOX SUPPORT	
331482	BRACKET FOR 2 THERMOST. B-F20	
450115	ELASTIC CLAMP D.8,3/7,8	
450134	ELASTIC HOSE CLIP D.9,3/8,8	
450137	COLLAR CONNECTION WITH BASE 31	
450315	KNOB F. THERMOSTAT 90?	
450334	PUSH BUTTON 'CYCLE'	
450353/1	ON/OFF SWITCH	
450354	SEGNAL. MECC. X TASTO ROLD T6	
450821	SPRING CLIP FASTENER SNU 3634	
460121	"EARTH" PLATE	
461532	PLATE LC411M	
631209	ANTI-NOISE FILTER	

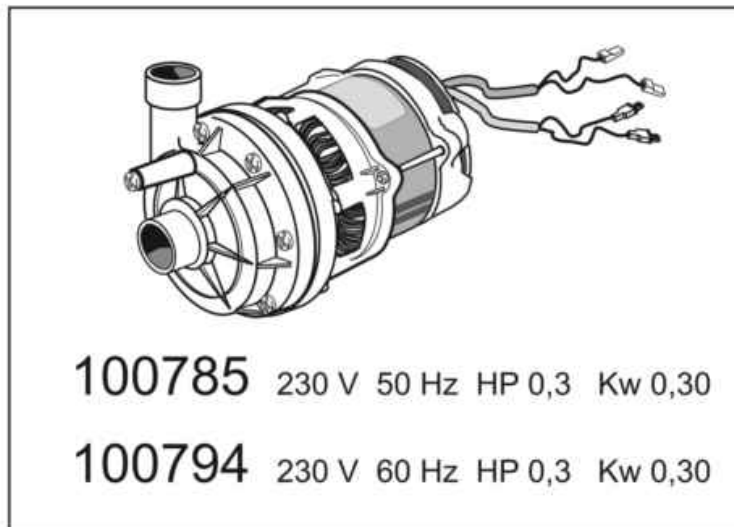
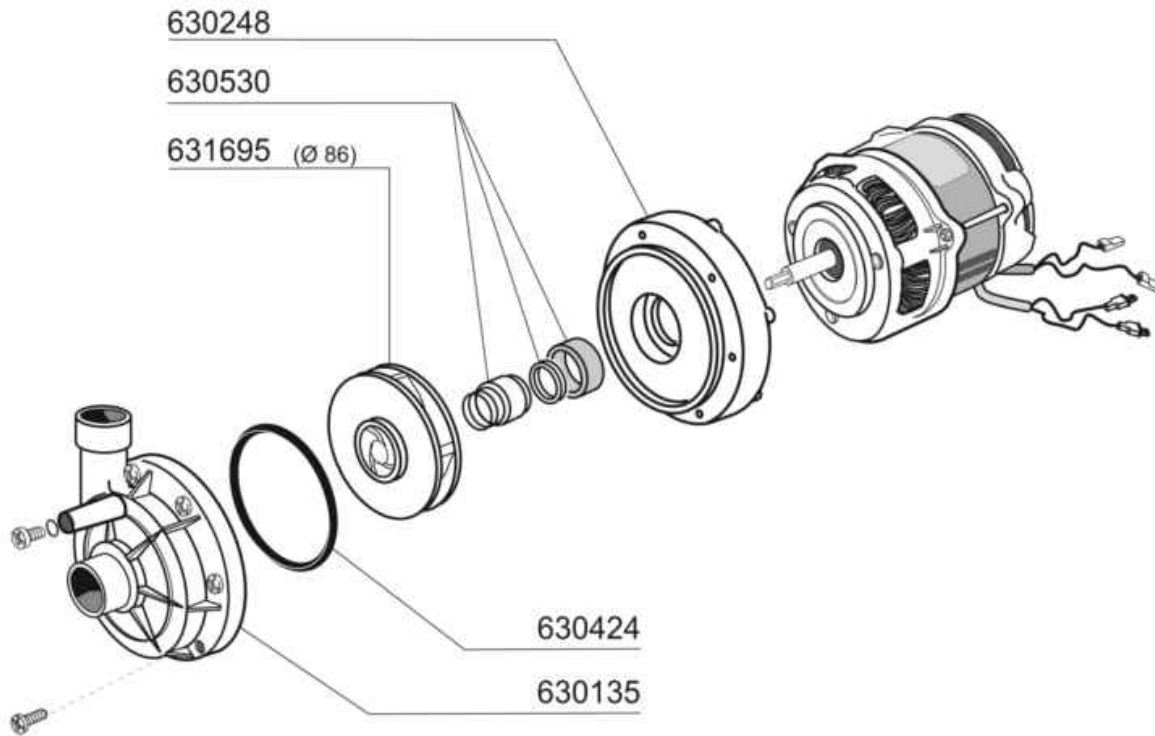


Ed.	12/2014
Rev.	
Data	

Code	Description	Price ()
110397	HEATER 3200W 230V/1	
120173	SOLENOID VALVE 1 WAY 180°	
121176/02	REG.PORT.ING.T&P 8 L/MIN NERO	
180408	TEE-NIPPLE F.INJECT.W/CENTR.RE	
180413	TEE NIPPLE D.11,5 - RINSE ASSE	
200117	RUBBER HOSE 7X16	
200122	HOSE 11X19	
200764	GLASSWASHERS DRAIN HOSE	
200820	O-RING151 46,99X5,33X57,6	
201055	HOSE	
260100	SCREW TE 6X8 INOX	
260104	STAINL.ST TE-SCREW A2 6X16 UNI	
260512	ST/ST GROWER WASHER D6	
260538	WASHER 18X6X1,5 ST/ST	
330377		
450102	CLAMP FE ZN 11-17 H=9	
450103	CLAMP FE ZN. 13-20 H=9	
460535	GASKET FOR BOILER PLUG BHC	
620535	VACUUM BREAKER	

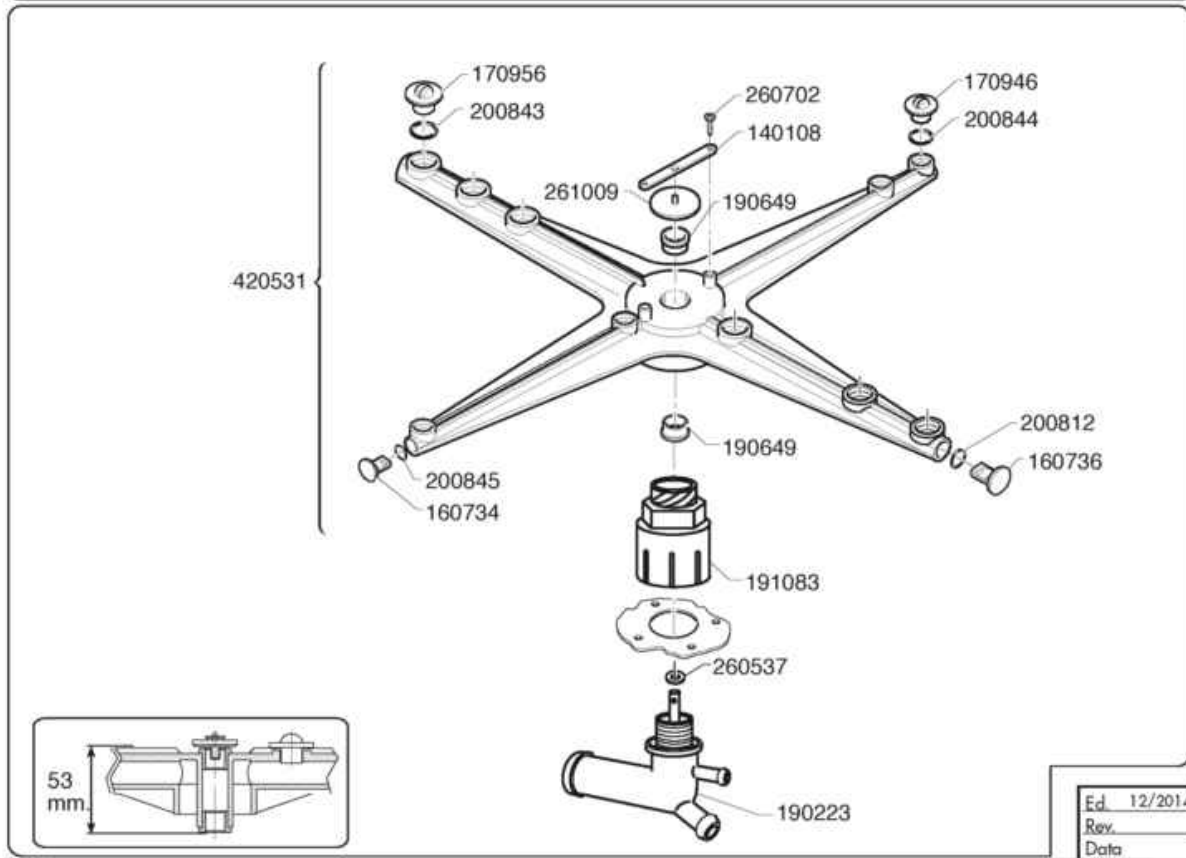
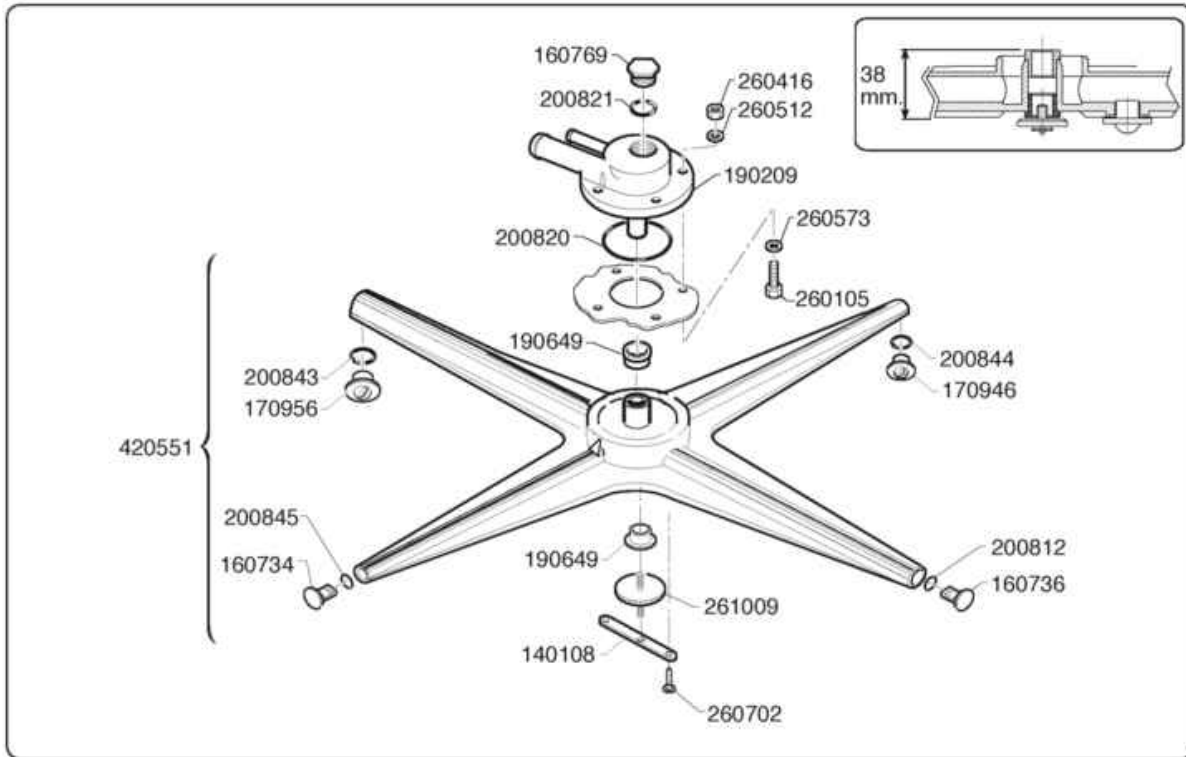


Code	Description	Price ()
100785	PUMP LGB ZF140 0.5HP	
110269	TANK HEATER 2000W	
160310	INLET HOSE BHC	
160313	VORTEX BREAKER	
160769	PLUG F.UPPER WASH ARM SUPPORT	
180145	NUT	
180147	NUT	
180724	OVERFLOW PIPE BHC	
180725	OVERFLOW PIPE COVER	
180725/1		
180725/2		
180848		
180849	TANK FILTER	
190209/1	ARM SUPPORT	
190225	DRAIN OUTLET	
190240		
191083	LOWER WASH ARM SUPPORT	
200122	HOSE 11X19	
200779	DRAIN HOSE FOR BR-BC-FC43	
200820	O-RING151 46,99X5,33X57,6	
200821	O-RING 2,62X20,63	
200842	SEAL RING OR158 PB701 NITRILE	
200867	GASKET	
200869	GASKET	
201059	OUTLET HOSE	
201102	INLET HOSE BC/LB	
260104	STAINL.ST TE-SCREW A2 6X16 UNI	
260105	SCREW TE 6X20	
260412	SELF-LOCKING NUT M6	
260416	STAINLESS STEEL NUTS M6	
260512	ST/ST GROWER WASHER D6	
260537	STAINL.STEEL FLAT WASHER D13X2	
260538	WASHER 18X6X1,5 ST/ST	
260559		
260573		
260706	SCREW 3,9X13 S/S	
350994		
450103	CLAMP FE ZN. 13-20 H=9	
450107	CLAMP FE ZN 38-50 H=12,2	
450109	CLAMP 50-65	
450139	CLAMP 26-38 H=9	
450232	SPRING	



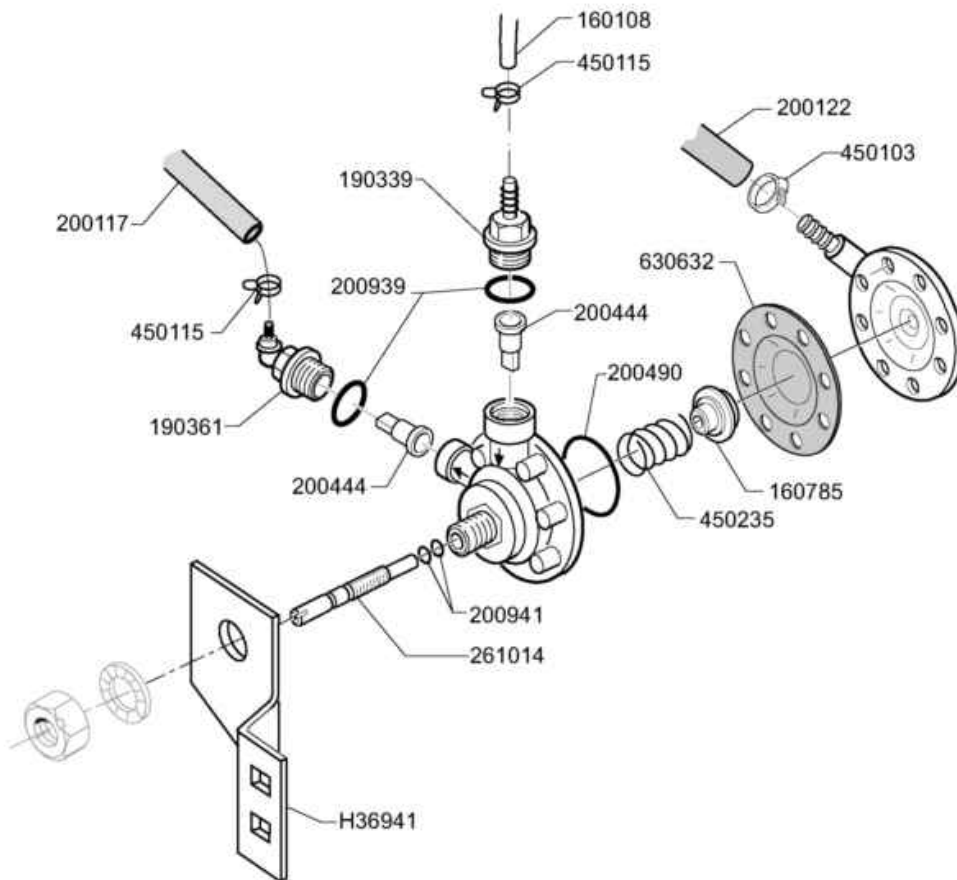
Ed.	10/2013
Rev.	
Data	

Code	Description	Price ()
100785	PUMP LGB ZF140 0.5HP	
100794	PUMP LGB ZF140 0.5HP 60Hz	
630135	PUMP VOLUTE LGB 0,30HP ZF140	
630248	PUMP COVER LGB 0,30HP ZF140	
630424	PUMP GASKET LGB 0,3HP ZF140	
630530	SEAL FOR PUMP LGB 0,3HP ZF140	
631208	CONDENSER 5MF.450V	
631695	PUMP IMPELLER 0,3HP LGB	



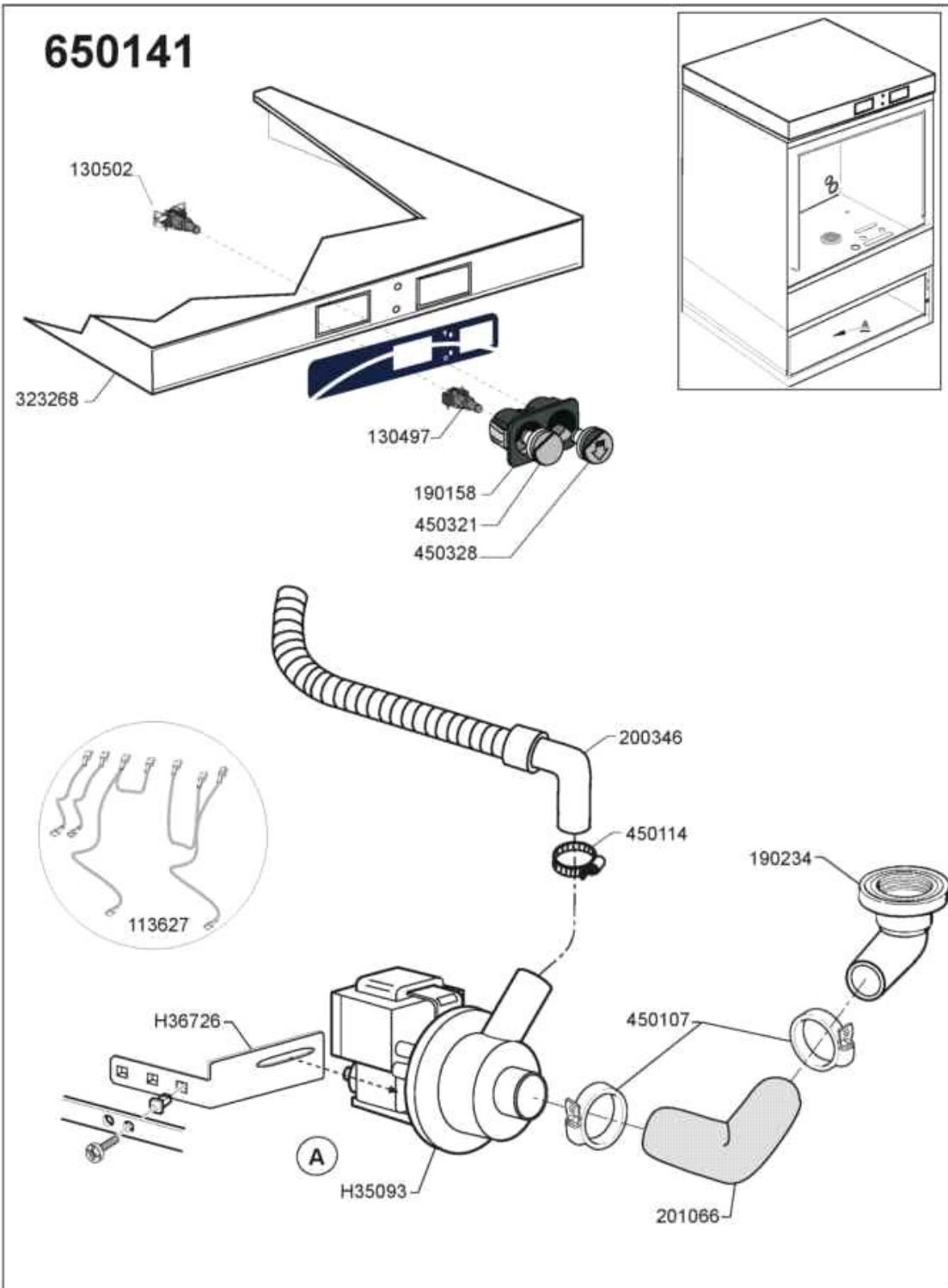
Ed.	12/2014
Rev.	
Data	

Code	Description	Price ()
140108	PLATE FOR WASH ARM	
160734	END PLUGS RINSE ARM	
160736	WASH ARM PLUG F45	
160769	PLUG F.UPPER WASH ARM SUPPORT	
170946	RINSE JET/RINSE ARM B-F	
170956	WASH JET/WASH ARM B-F20	
190209	UPPER WASH/RINSE ARM SUPPORT "	
190223	LOWER WASH/RINSE ARM SUPPORT B	
190649	BUSH WASH ARM GLASSWASHERS	
191083	LOWER WASH ARM SUPPORT	
200812	O-RING 1,78X17,17X20,73	
200820	O-RING151 46,99X5,33X57,6	
200821	O-RING 2,62X20,63	
200843	O RING 2X13X17	
200844	O RING 2X9,5X13,5	
200845	O RING 109 2,62X9,13X14,37	
260105	SCREW TE 6X20	
260416	STAINLESS STEEL NUTS M6	
260512	ST/ST GROWER WASHER D6	
260537	STAINL.STEEL FLAT WASHER D13X2	
260573		
260702	SELF-TAPPING SCREW 4,2X9,5 DIN	
261009	RETAIN.SCREW FOR WASH-RINSE AR	
420531	PLASTIC WASH-RINSE ARM F20-B	
420551	UPPER WASH ARM GLASSWASHERS	



Ed.	10/2013
Rev.	
Data	

Code	Description	Price ()
160108	INJECT.INLET HOSE D.8X5	
160785	GUIDE FOR SPRING RINSE AID INJ	
190339	RINSE AID INJECTOR CONNECTION	
190361	ELBOW 90°	
200117	RUBBER HOSE 7X16	
200122	HOSE 11X19	
200444	SUCTION VALVE RINSE INJECTOR	
200490	PROTECTION GASKET MOD.ADV.	
200939	OR GASKET	
200941	OR GASKET	
261014	SCREW	
450103	CLAMP FE ZN. 13-20 H=9	
450115	ELASTIC CLAMP D.8,3/7,8	
450235	SPRING RINSE AID INJECTOR	
620736	RINSE AID INJECTOR C35/43/46E	
630632	DIAPHRAGM RINSE INJECTOR HVD	
H36941	BRACKET	



0-2016 M.S.

Code	Description	Price (€)
113627	CONNECTING CABLES	
130497	SWITCH SUPPORT	
130502	SWITCH	
190158	SUPPORT	
190234	DRAIN OUTLET	
200346	DRAIN HOSE GLASSWASHER	
201066	INLET HOSE LB DRAIN PUMP	
323268	UPPER COVER RG40	
450107	CLAMP FE ZN 38-50 H=12,2	
450114	CLAMP FE ZN.22-32 H=12,2	
450321	GREY COVER FOR PUSH BUTTON BR-	
450328	DRAIN SWITCH	
650141	DRAIN PUMP KIT RG18-20-26	
H35093	DRAIN PUMP	
H36726	DRAIN PUMP BRACKET C43/46E/RG	