

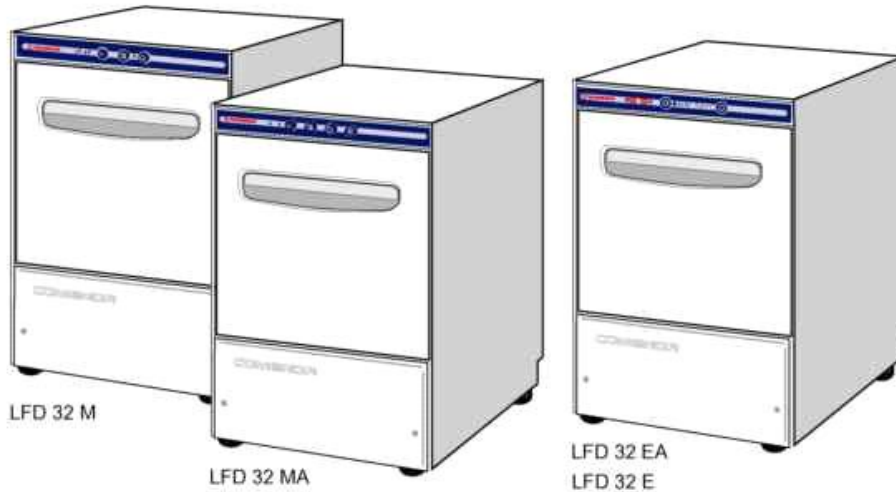
PARTI DI RICAMBIO
PIECES DETACHEES
SPARE PARTS
ERSATZTEILE
LISTA DE RECAMBIOS

LFD 32 M

LFD 32 MA

LFD 32 E

LFD 32 EA



LFD 32 M

LFD 32 MA

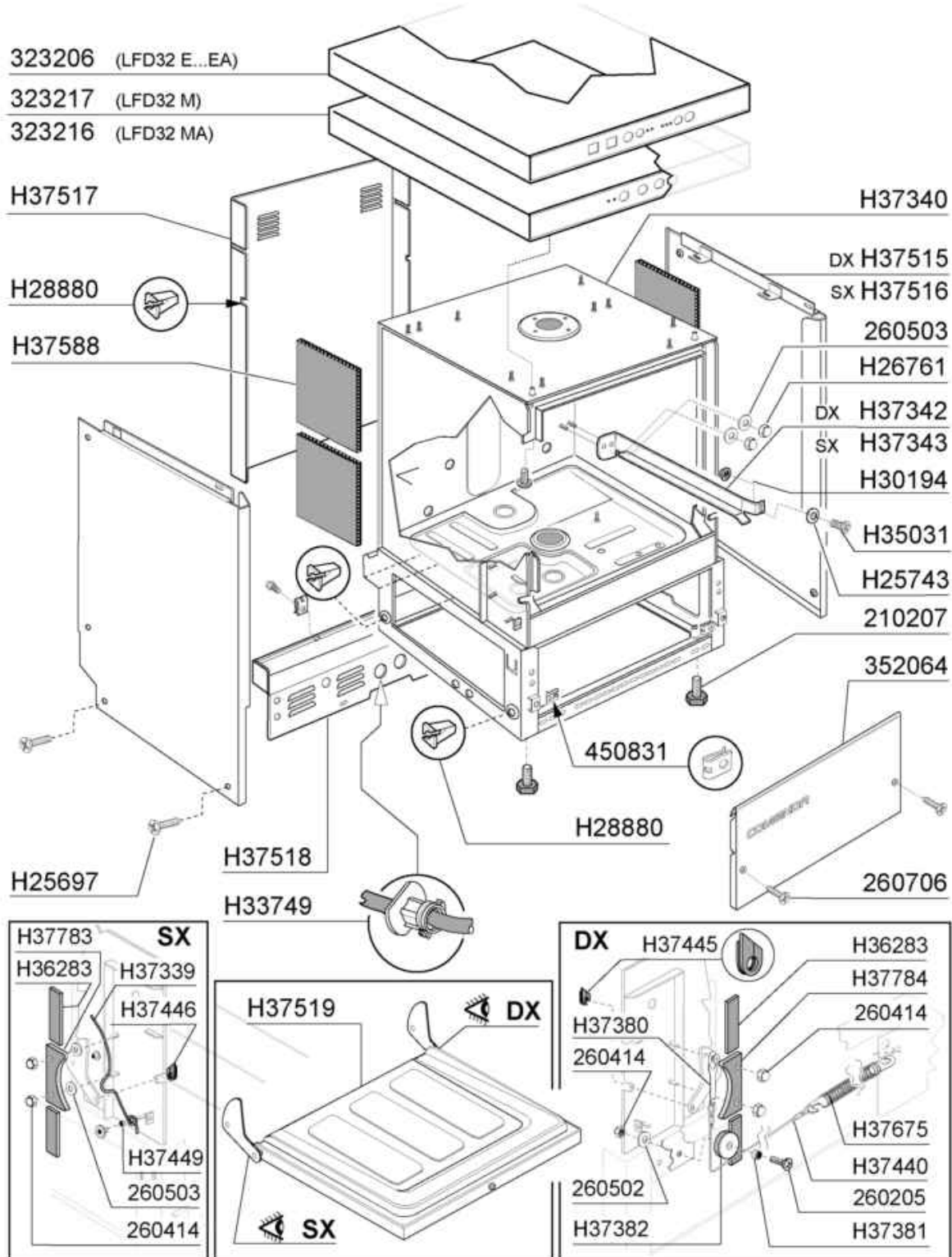
LFD 32 EA
LFD 32 E



09 - 2008 | M. SA.

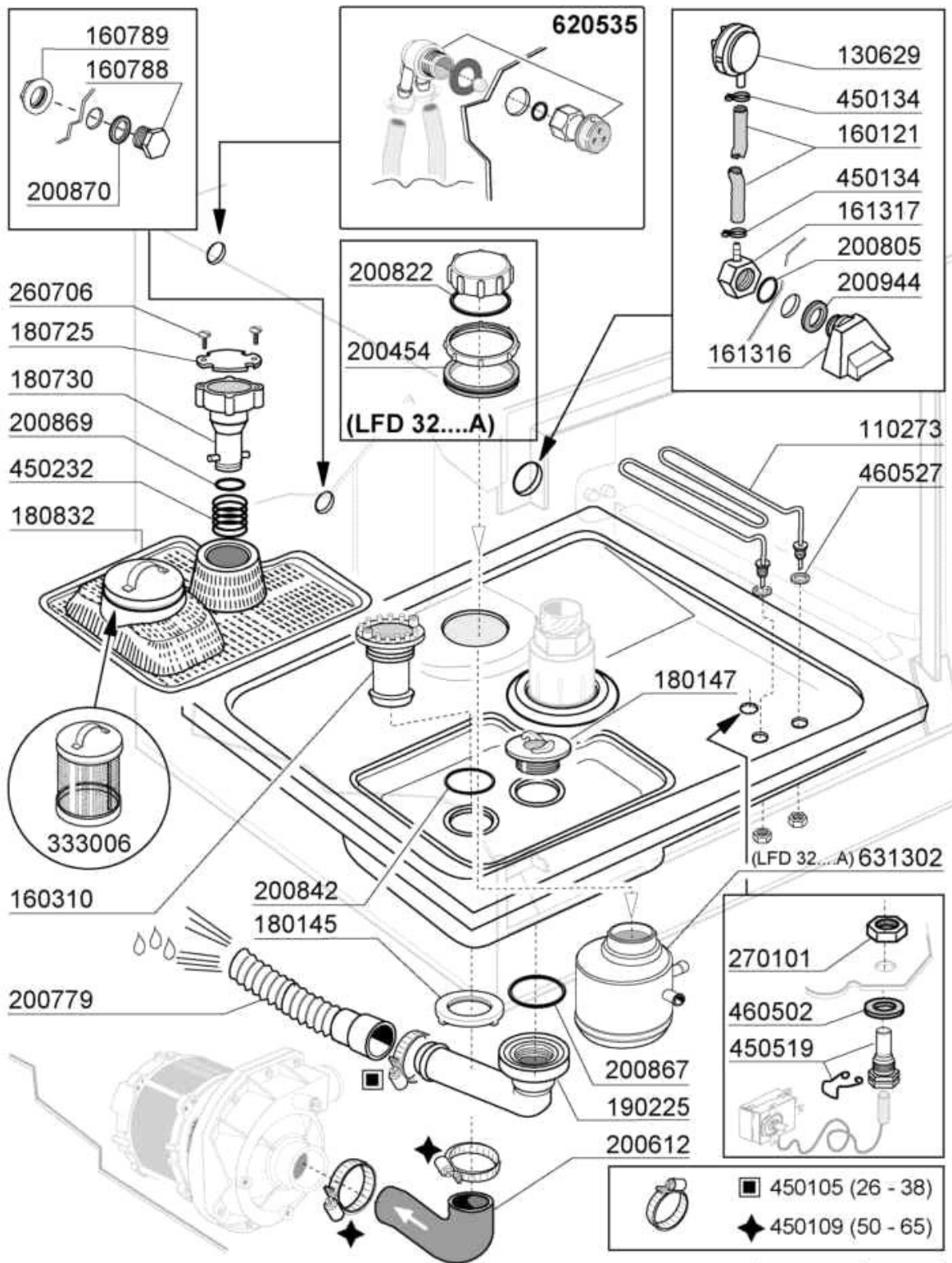
Aggiornamento Ultimo al: 24 Settembre 08

- 1 Hood
- 2 Tank
- 3 Wash and rinse arm
- 4 Wash
- 5 Rinse
- 6 Pump
- 7 Thermostat/Solenoid Valve Group
- 8 Control box
- 9 Rinse aid injector
- 10 Drain pump
- 11 Detergent dispenser



09 - 2008 M. SA.

Code	Description
210207	FOOT BHC
260205	SCREW TCP 4X16
260414	SELF-LOCKING NUT M5
260502	S/S FLAT WASHER D.4
260503	STAINL.STEEL FLAT WASHER D5 UN
260706	SCREW 3,9X13 S/S
323206	HOOD LFD32E
323216	HOOD LFD32M
323217	HOOD LFD32M (3 HOLES)
352064	FRONT PANEL LFD32
450831	SCREW SUPPORT
H25697	SCREW
H25743	REPLACED BY 260502
H26761	STAINLESS STEEL NUT M5
H28880	REPLACED BY 450830
H30194	REPLACED BY 260418
H33749	CABLE HOLDER GF70
H35031	REPLACED BY 260311
H36283	GASKET 20X10
H37339	450250+324170+190685
H37340	HOOD LFD32
H37342	RIGHT RACK GUIDE LFD32
H37343	LEFT RACK GUIDE LFD32
H37380	TIE ROD
H37381	BUSH FOR ROLLER H37382
H37382	ROLLER
H37440	FUNE TIRANTE MOLLA LFD
H37445	PAD
H37446	PAD
H37449	BUSH FOR SPRING
H37515	RIGHT SIDE PANEL LFD32
H37516	LEFT SIDE PANEL LFD32
H37517	BACK COVER LFD32
H37518	BACK LOWER PANEL LFD
H37519	DOOR LFD32
H37588	INSULATION PANEL LFD
H37675	DOOR SPRING LFD
H37783	LEFT GUIDE
H37784	RIGHT GUIDE

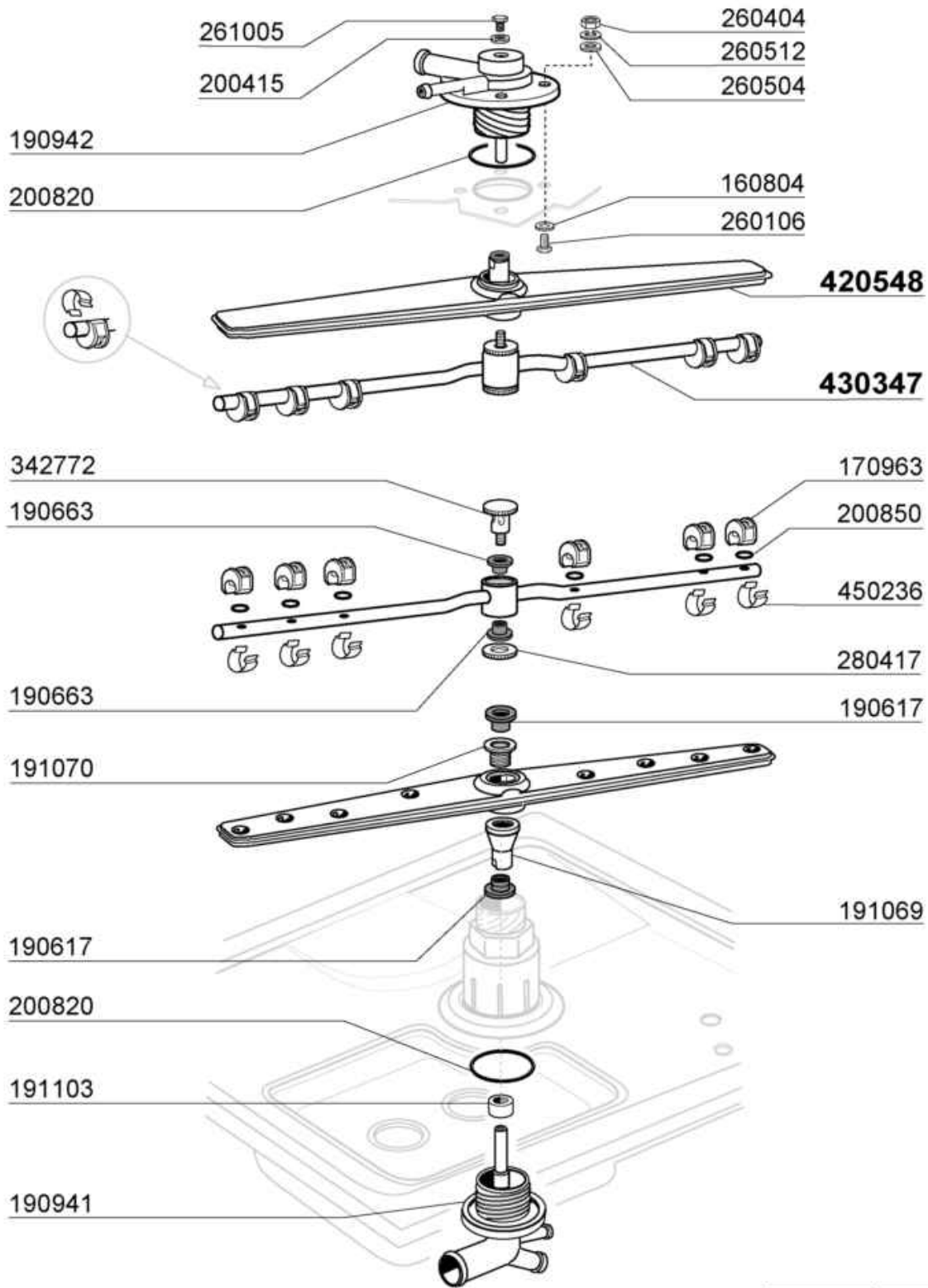


Aggiornato / ultimo al 25 Settembre 08

09 - 2008 | M. SA.

Code	Description
110273	TANK HEATER 2000W 230V
130629	PRESSURE SWITCH 1L30-12
160121	HOSE EPDM D. 5 X 9
160310	INLET HOSE BHC
160788	PLUG
160789	NUT
161316	AIR TRAP
161317	NUT FOR AIR TRAP
180145	NUT
180147	NUT
180725	OVERFLOW PIPE COVER
180730	OVERFLOW PIPE
180832	FILTER FOR LF TANK
190225	DRAIN OUTLET
200454	GASKET F. SALT CONT.
200612	PUMP INLET HOSE
200779	DRAIN HOSE FOR BR-BC-FC43
200805	OR GASKET 2,62X28,24X33,48
200822	PLUG GASKET OF SALT CONTAINER
200842	SEAL RING OR158 PB701 NITRILE
200867	GASKET
200869	GASKET
200870	GASKET 18X10X2
200944	GASKET
260706	SCREW 3,9X13 S/S
270101	HEXAGON LOCK NUT 1/2"
333006	FILTER
450105	CLAMP FE ZN. 26-38 H=12,2
450109	CLAMP 50-65
450134	ELASTIC HOSE CLIP D.9,3/8,8
450232	SPRING
450519	TANK THERMOSTAT SHIELD C-F
460502	GASKET 30X21X2
460527	GASKET
620535	VACUUM BREAKER
631302	SALT CONTAINER

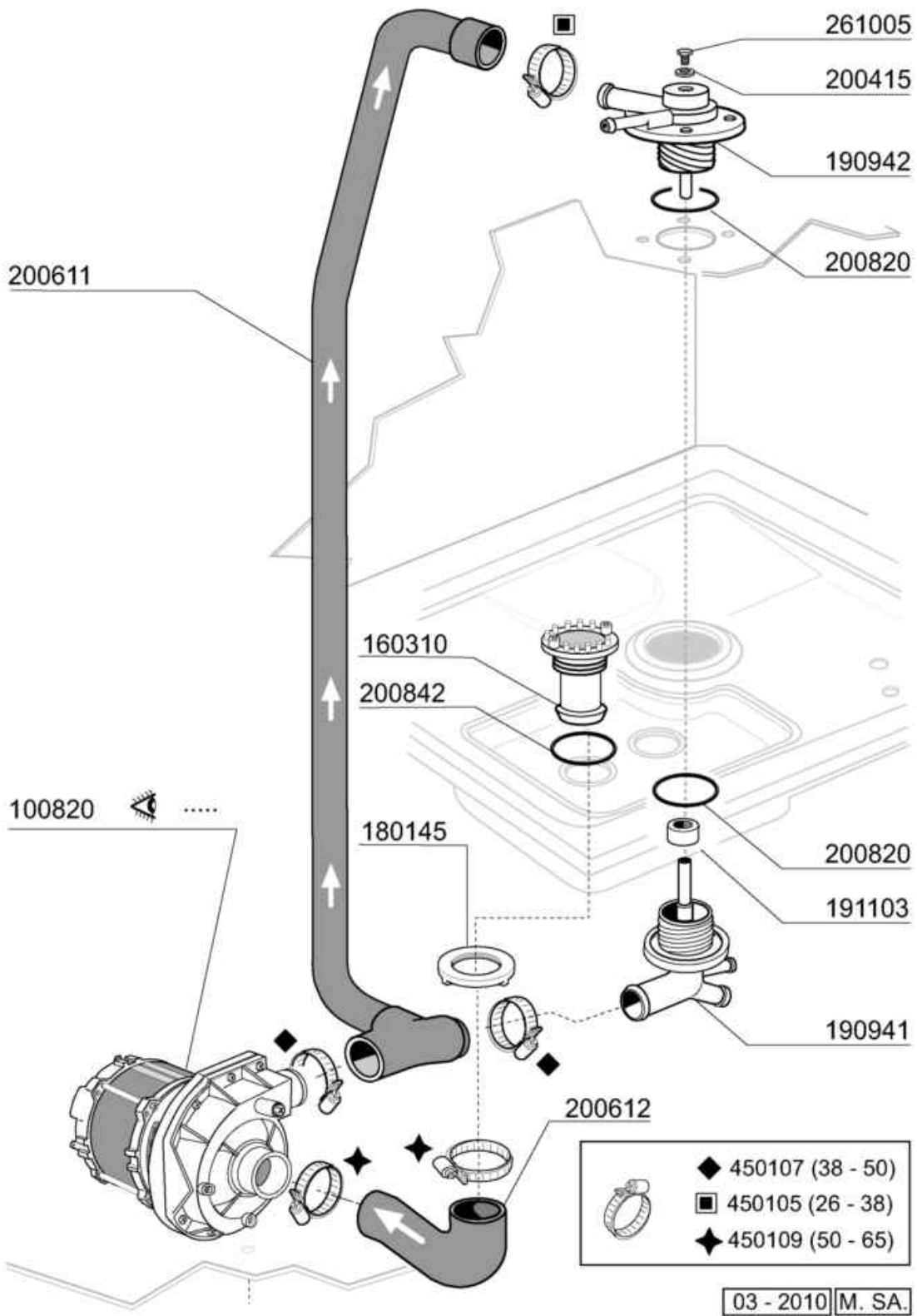
Wash and rinse arm



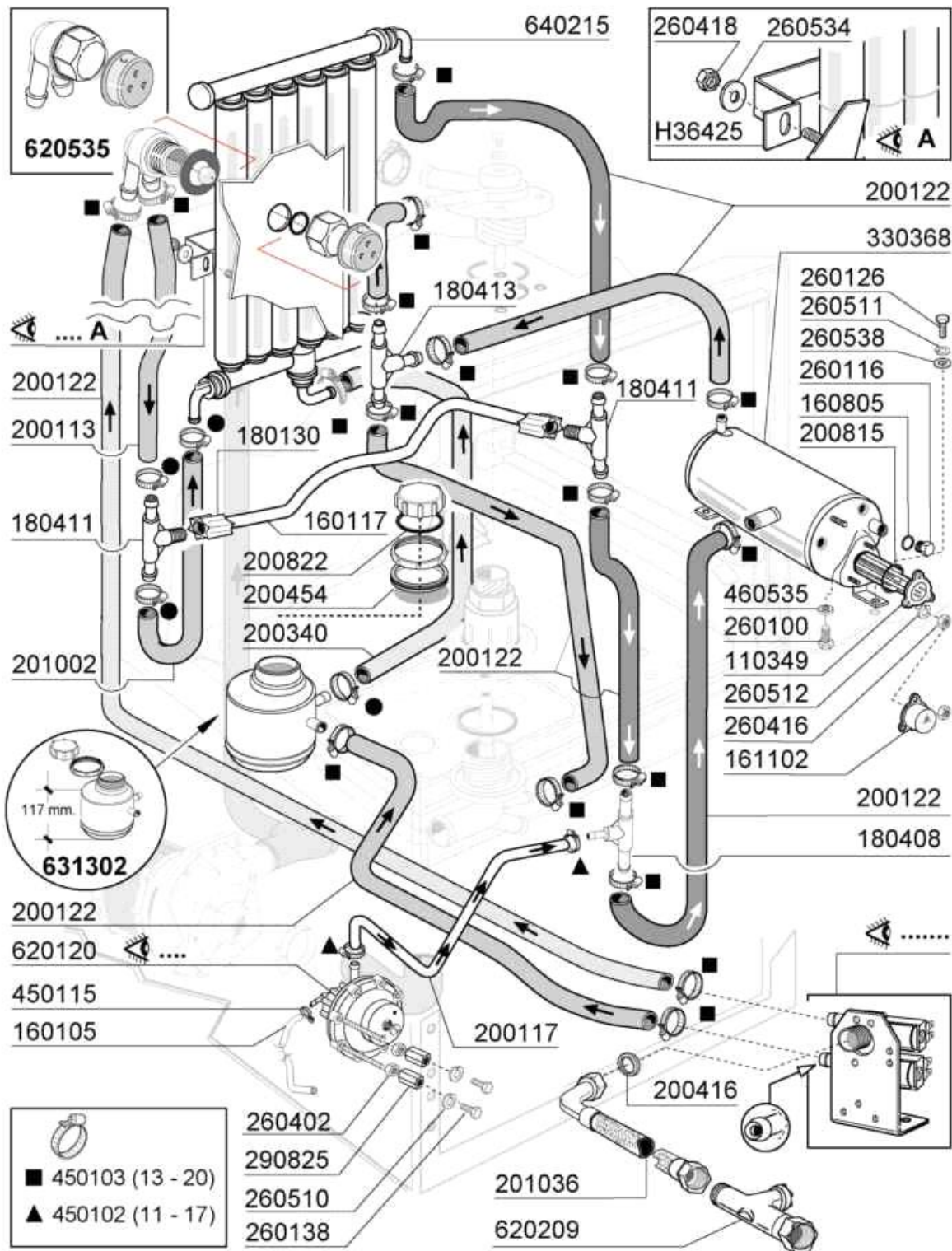
09 - 2008 | M. SA.

Wash and rinse arm

Code	Description	
160804	GASKET D.6	
170963	RINSE JET X FC	
190617	BUSH	
190663	BUSH	
190941	LOWER TEE WASH/RIN ARM	
190942	UPP.TEE WASH/RIN ARM	
191069	WASH ARM CENTER (FC - MACHINES	
191070	LOCK NUT FOR WASH ARM CENTER (
191103	SPACER	
200415	AIR TRAP GASKET -F2 18,5X10X3	
200820	O-RING151 46,99X5,33X57,6	
200850	O-RING	
260106	SCREW TE 6X25	
260404	STAINLESS STEEL NUTS D6 UNI 55	
260504	ST/ST FLAT WASHER D6	
260512	ST/ST GROWER WASHER D6	
261005	SCREW F. TEE UP.WASH F2-B41	
280417	RETAIN.LOCK NUT	
342772	PIN	
420548	FC WASH ARM (ST/ST)	
430347	RINSE ARM LF322/325/700	
450236	SPRING FOR WASHER 170963	



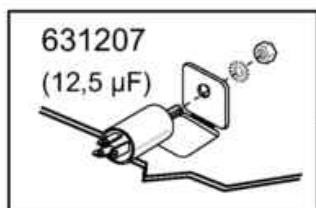
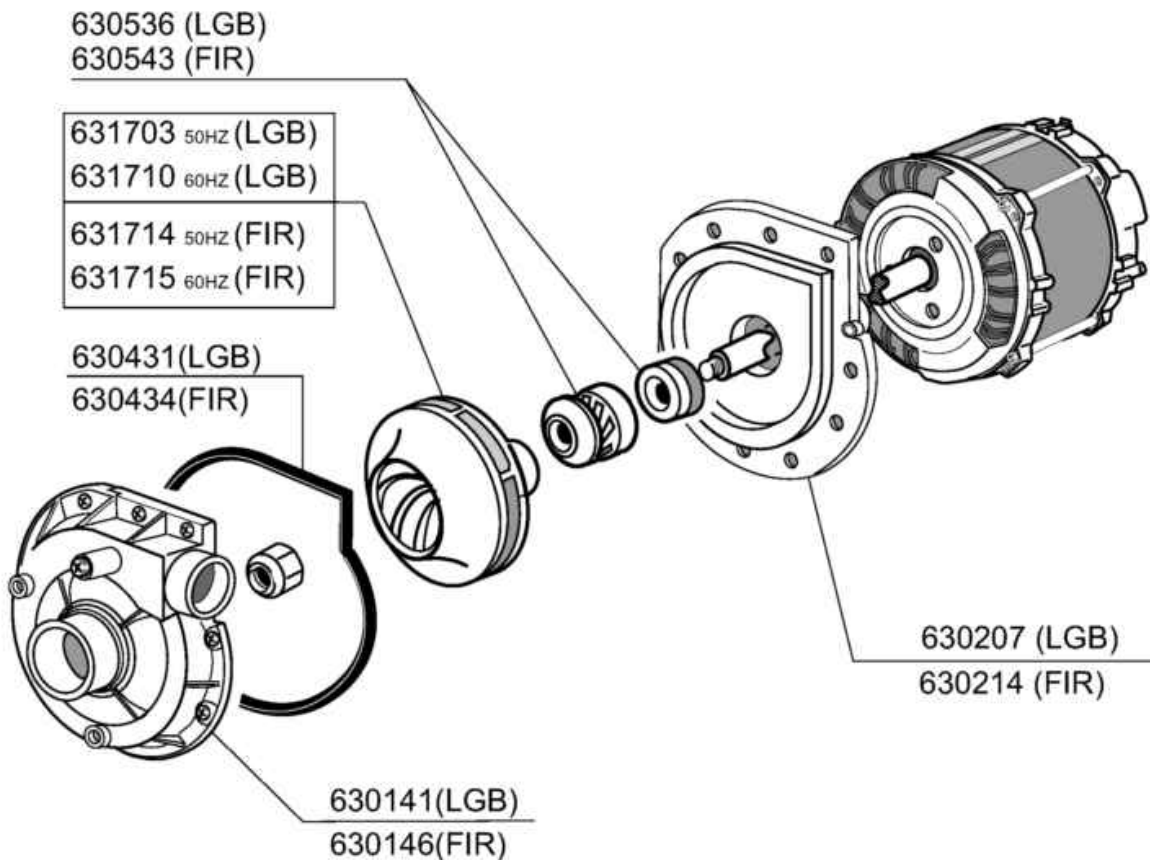
Code	Description
100820	PUMP 0,6HP 220V
160310	INLET HOSE BHC
180145	NUT
190941	LOWER TEE WASH/RIN ARM
190942	UPP.TEE WASH/RIN ARM
191103	SPACER
200415	AIR TRAP GASKET -F2 18,5X10X3
200611	OUTLET HOSE
200612	PUMP INLET HOSE
200820	O-RING151 46,99X5,33X57,6
200842	SEAL RING OR158 PB701 NITRILE
261005	SCREW F. TEE UP.WASH F2-B41
450105	CLAMP FE ZN. 26-38 H=12,2
450107	CLAMP FE ZN 38-50 H=12,2
450109	CLAMP 50-65

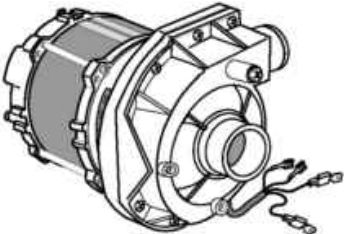
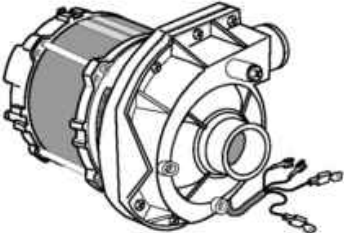


Aggiornato / ultimo al 24 Settembre 08

09 - 2008 | M. SA.

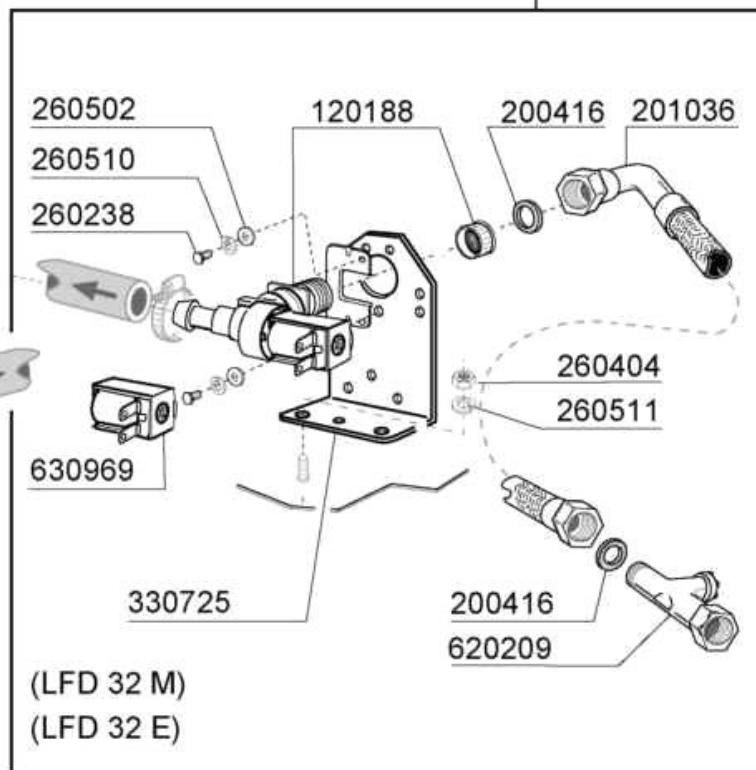
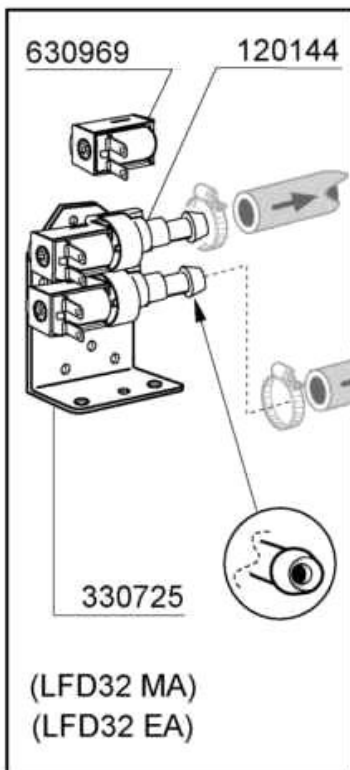
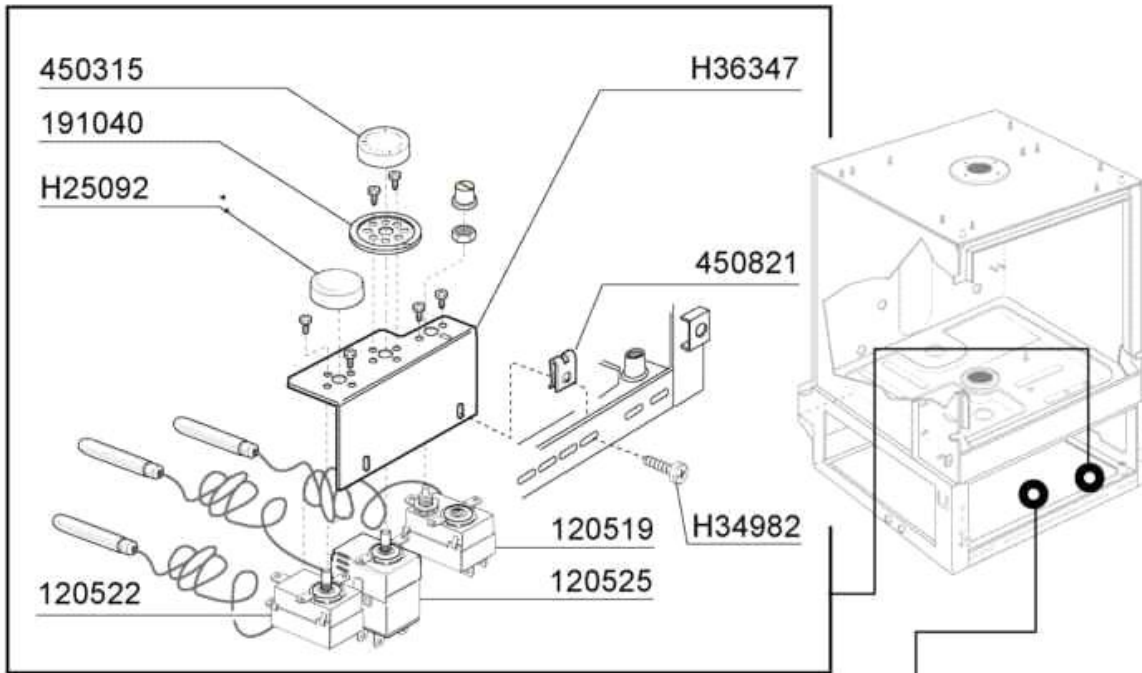
Code	Description
110349	HEAT.ELEMENT 6000W 230/400V
160105	INJECT.INLET HOSE D.6X4
160117	HOSE 6,3X1,1 WITHE
160805	GASKET D.8
161102	ELEMENT COVER MOPL. H50 (HIGH)
180130	CONNECTION NUT FOR BY PASS (1/
180408	TEE-NIPPLE F.INJECT.W/CENTR.RE
180411	TEE-NIPPLE FOR BY PASS "BTM"
180413	TEE NIPPLE D.11,5 - RINSE ASSE
200113	RUBBER HOSE 12 X 22
200117	RUBBER HOSE 7X16
200122	HOSE 11X19
200340	SALT CONTAINER HOSE B25-7-12
200416	GASKET D. 3/4"
200454	GASKET F. SALT CONT.
200815	O-RING F. HEAT. ELEM.
200822	PLUG GASKET OF SALT CONTAINER
201002	HOSE
201036	INLET HOSE 2 MT
260100	SCREW TE 6X8 INOX
260116	SCREW TE 8X35
260126	SCREW TE 5X12
260138	SCREW TE 4X10
260402	STAINLESS STEEL NUT D4 UNI 55
260416	STAINLESS STEEL NUTS M6
260418	SELF-LOCKING NUT M4
260510	GROWER WASHER D.4
260511	GROWER WASHER D.5
260512	ST/ST GROWER WASHER D6
260534	WASHER
260538	WASHER 18X6X1,5 ST/ST
290825	SPACER
330368	BOILER LF2004
450102	CLAMP FE ZN 11-17 H=9
450103	CLAMP FE ZN. 13-20 H=9
450115	ELASTIC CLAMP D.8,3/7,8
460535	GASKET FOR BOILER PLUG BHC
620120	RINSE AID INJECTOR
620209	INLET WATER FILTER
620535	VACUUM BREAKER
631302	SALT CONTAINER
640215	WATER SOFTENER GF70
H36425	SUPPORT FOR SOFTENER



	100820 (ZF 350 sx LGB) (4268.2350 FIR)
	Tensione: 230 V Frequenza: 50 Hz Potenza: Kw 0,45
	100824
	Tensione: 230 V Frequenza: 60 Hz Potenza: Kw 0,45

10 - 2014 | M. SA.

Code	Description
100820	PUMP 0,6HP 220V
100824	PUMP 0,6HP 230/1/60
630141	PUMP VOLUTE LGB ZF380SX
630146	PUMPE VOLUTE
630207	PUMP FLANGE LGB ZF350SX 230V
630214	FLANGE PUMP HPO,75-1-1,5
630431	PUMP GASKET LGBZF350SX
630434	PUMP GASKET
630536	SEAL FOR PUMP LGB350SX
630543	PUMP SEAL 100896
631207	CONDENSER 12,5MF. 450V 85C
631703	PUMP IMPELLER ZF350SX
631710	IMPELLER 60HZ ZF350SX
631714	PUMP IMPELLER
631715	PUMP IMPELLER

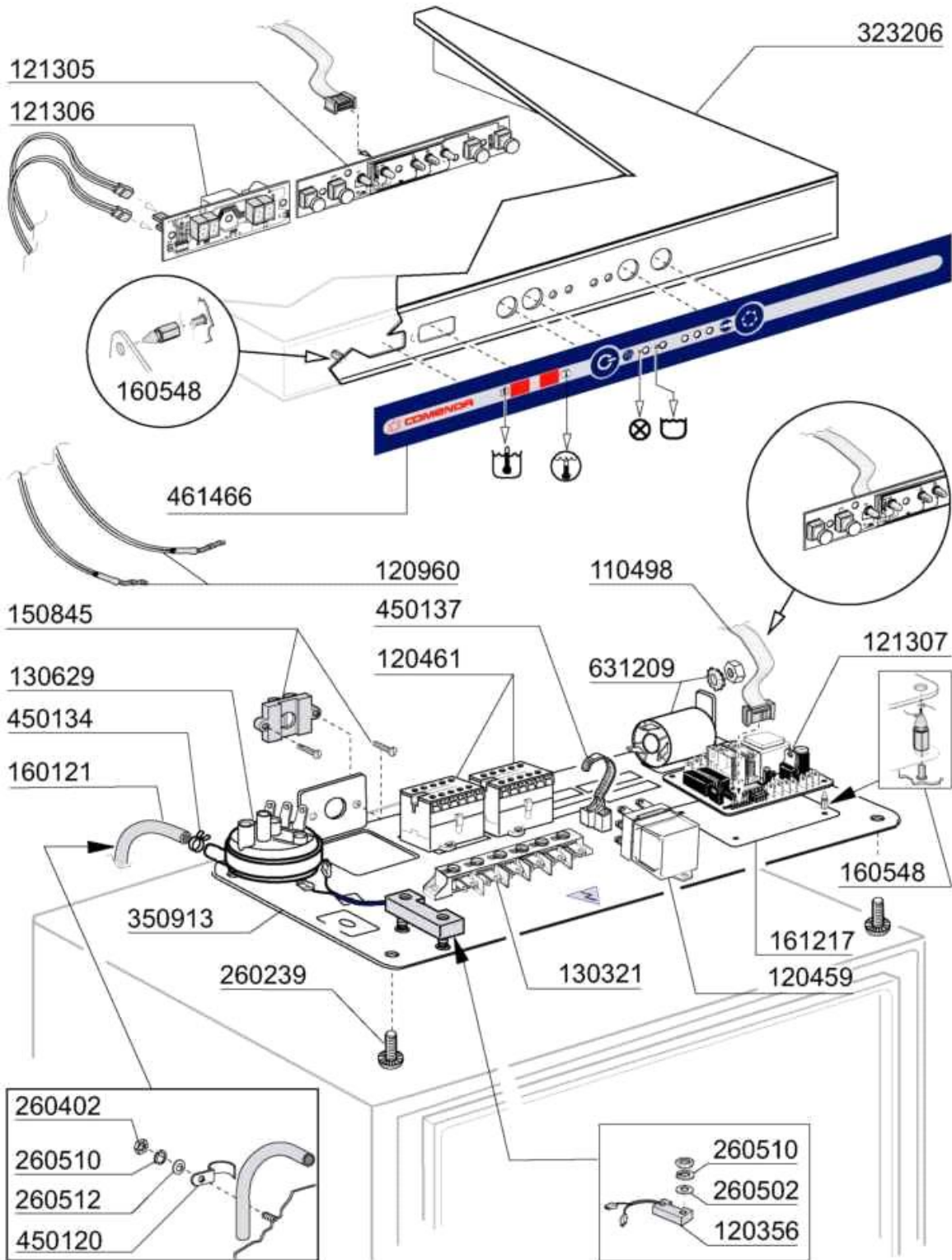


Aggiornato / ultimo al 25 Settembre 08

09 - 2008 | M. SA.

Thermostat/Solenoid Valve Group

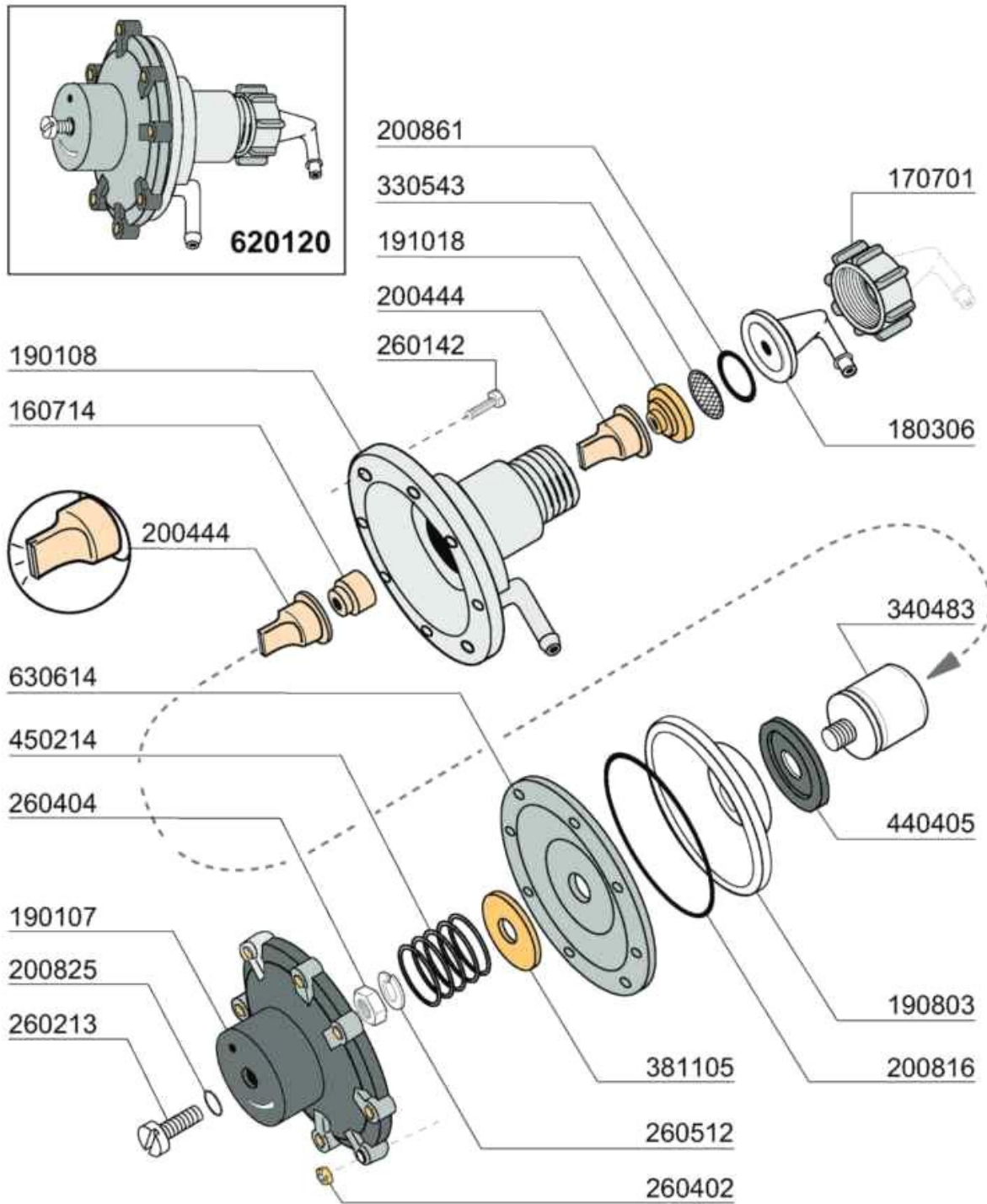
Code	Description
120144	SOLENOID VALVE FCA 20 LT TYPE
120188	SOLENOID VALVE 90? 1 WAY 220V
120519	SAFETY THERMOSTAT 95-125?
120522	TANK THERMOSTAT 90?
120525	BOOSTER THERMOSTAT 2 TEMPERAT.
191040	FRAME F.THERMOSTAT KNOB
200416	GASKET D. 3/4"
201036	INLET HOSE 2 MT
260238	M4 X 10 MUSH/HD SCREW
260404	STAINLESS STEEL NUTS D6 UNI 55
260502	S/S FLAT WASHER D.4
260510	GROWER WASHER D.4
260511	GROWER WASHER D.5
330725	STANDARD BRACKET F.SOLEN.VALV
450315	KNOB F. THERMOSTAT 90?
450821	SPRING CLIP FASTENER SNU 3634
620209	INLET WATER FILTER
630969	COIL S4216 220/50HZ
H25092	KNOB FOR THERMOSTAT GF70
H34982	REPLACED BY 260248
H36347	THERMOSTATS BRACKET GF70



07 - 2010 | M. SA.

Code	Description
110498	CABLE 500 MM
120356	DOOR MAGN.SWITCH
120459	AUXIL.RELE 16A 220V
120461	CONTACTOR ABB B6-30-01 220V
120960	PROBE C-G
121305	CONTROL PCB
121306	PCB DISPLAY
121307	SOFTSTART PCB
130321	JUNCTION BOX 6 CONNECTORS
130629	PRESSURE SWITCH 1L30-12
150845	
160121	HOSE EPDM D. 5 X 9
160548	
161217	COVER FOR PCB
260239	SPECIAL S/S TB-SCREWS M6X20
260402	STAINLESS STEEL NUT D4 UNI 55
260502	S/S FLAT WASHER D.4
260510	GROWER WASHER D.4
260512	ST/ST GROWER WASHER D6
323206	HOOD LFD32E
350913	
450120	ZINC CLAMP FOR HOSE D.7
450134	ELASTIC HOSE CLIP D.9,3/8,8
450137	COLLAR CONNECTION WITH BASE 31
461466	PLATE LFD32EA
631209	ANTI-NOISE FILTER

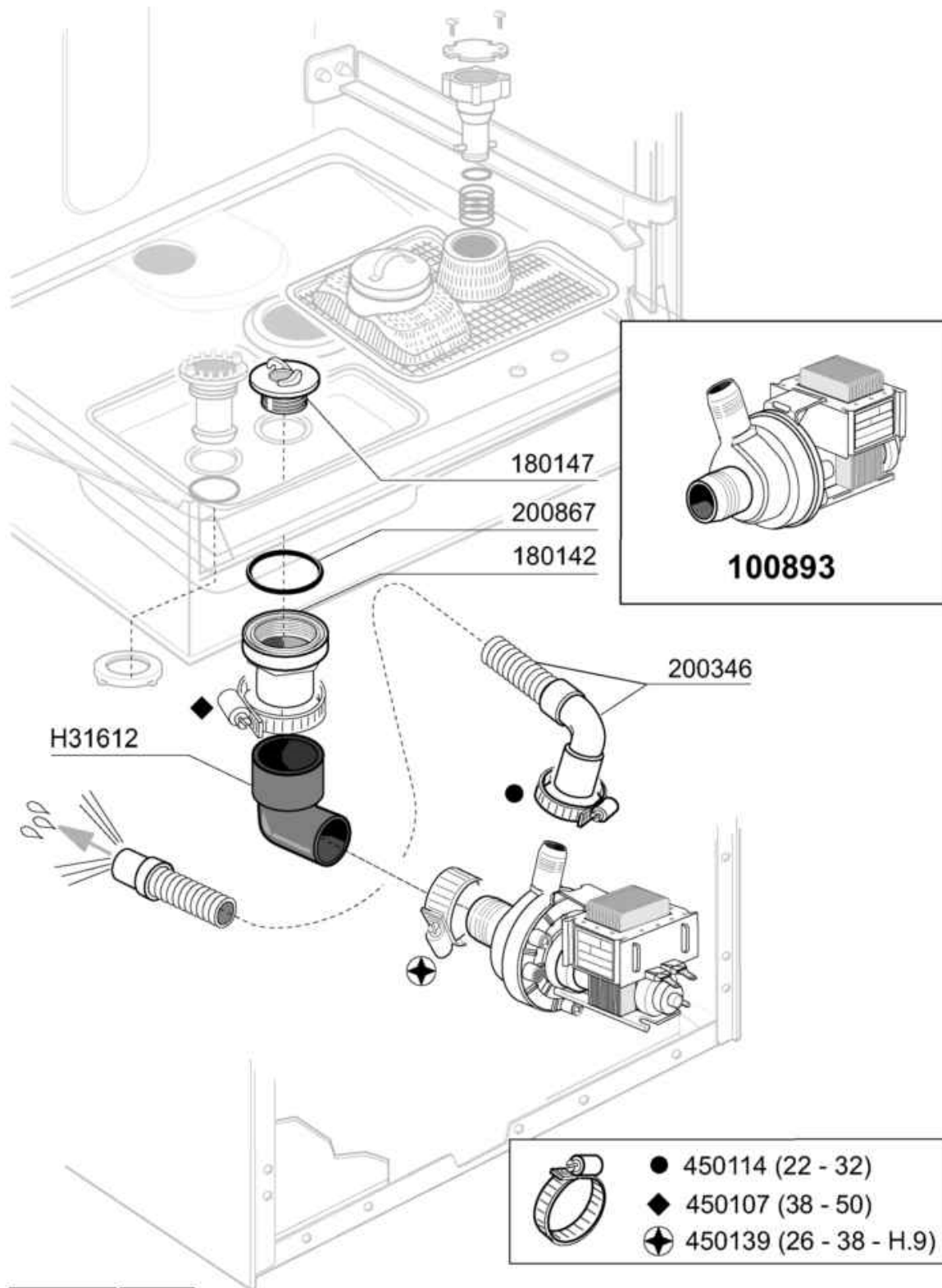
Rinse aid injector



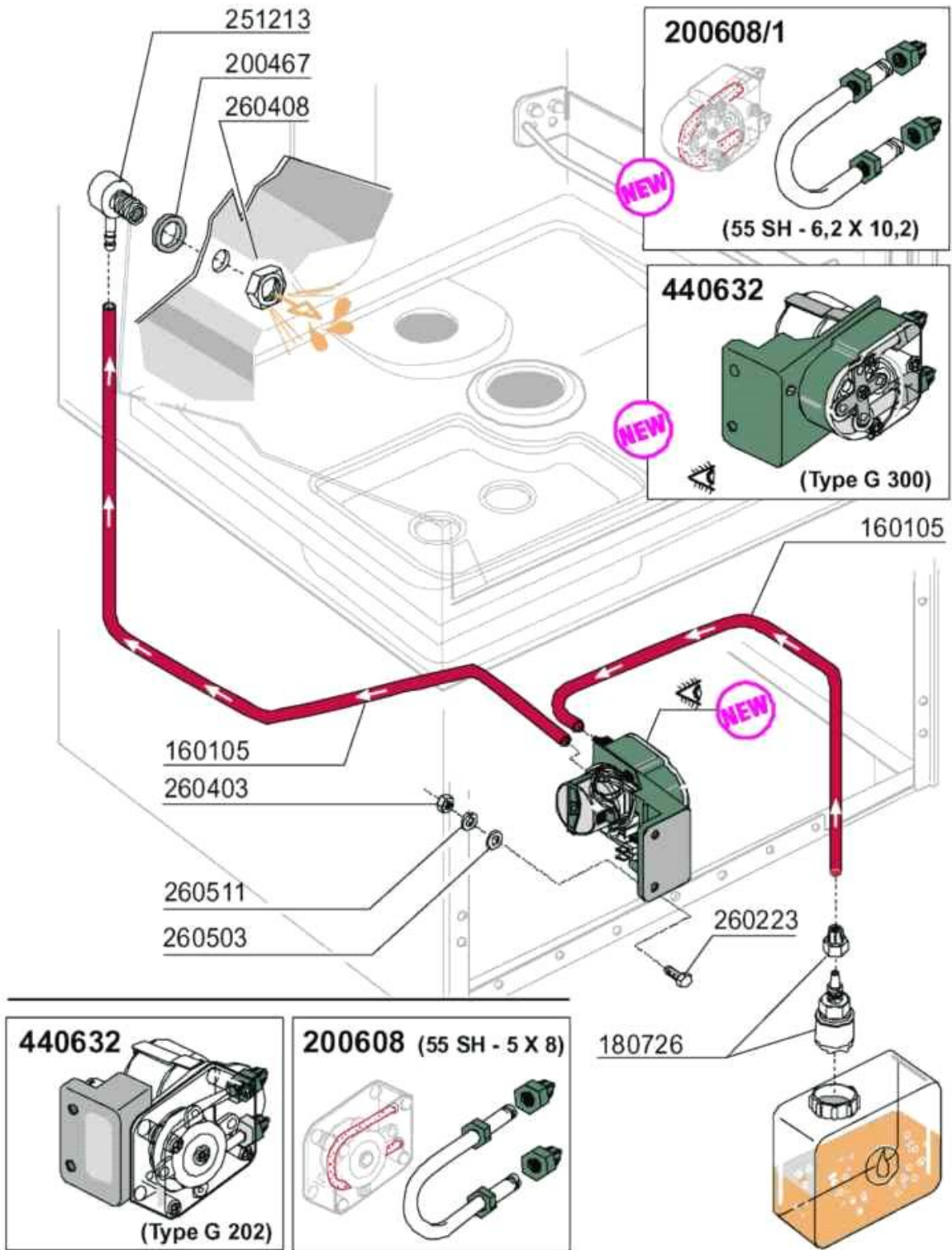
09 - 2007 | S. AG.

Rinse aid injector

Code	Description
160714	PLUG FOR RINSE AID INJECTOR MO
170701	LOCK NUT 1/2" F.INJECTOR
180306	NIPPLE F.RINSE AID INJECTOR
190107	COVER FOR RINSE AID DISPENSER
190108	VOLUTE FOR RINSE AID DISPENSER
190803	GASKET SUPPORT RING F.INJECT
191018	FILTER SUPPORT RINSE AID INJEC
200444	SUCTION VALVE RINSE INJECTOR
200816	O-RING 2,5X59,2X64,2 RINSE INJ
200825	O-RING 3X5X11 RINSE INJECTOR
200861	O-RING 14X18X2
260142	SCREW TE 4X16
260213	SCREW TCP 5X25
260402	STAINLESS STEEL NUT D4 UNI 55
260404	STAINLESS STEEL NUTS D6 UNI 55
260512	ST/ST GROWER WASHER D6
330543	FILTER RINSE AID INJECTOR D.17
340483	PISTON FOR RINSE AID DISPENSER
381105	DIAPHRAGME DISC
440405	GASKET FOR RINSE AID INJ.
450214	SPRING RINSE AID INJECTOR
620120	RINSE AID INJECTOR
630614	DIAPHRAGM RINSE INJECTOR



Code	Description
100893	DRAIN PUMP 30W 230/50
180142	CONNECTOR FOR DRAIN PUMP
180147	NUT
200346	DRAIN HOSE GLASSWASHER
200867	GASKET
450107	CLAMP FE ZN 38-50 H=12,2
450114	CLAMP FE ZN.22-32 H=12,2
450139	CLAMP 26-38 H=9
H31612	HOSE FOR DRAIN PUMP



09 - 2007 | S. AG.

Detergent dispenser

Code	Description
160105	INJECT.INLET HOSE D.6X4
180726	STREINER FOR RINSE AID INJECTO
200467	DUTRAL GASKET F. AIR TRAP
200608	DETERGENT DISPENSER HOSE
200608/1	HOSE FOR DISPENSER GERMAC G300
251213	INJECTOR S/S FOR DETERGENT IN
260223	M5X12 MSH/HD SCREW SPECIAL S/S
260403	NUTS D.5
260408	S/S NUTS D.12
260503	STAINL.STEEL FLAT WASHER D5 UN
260511	GROWER WASHER D.5
440632	DETERGENT INJECTOR