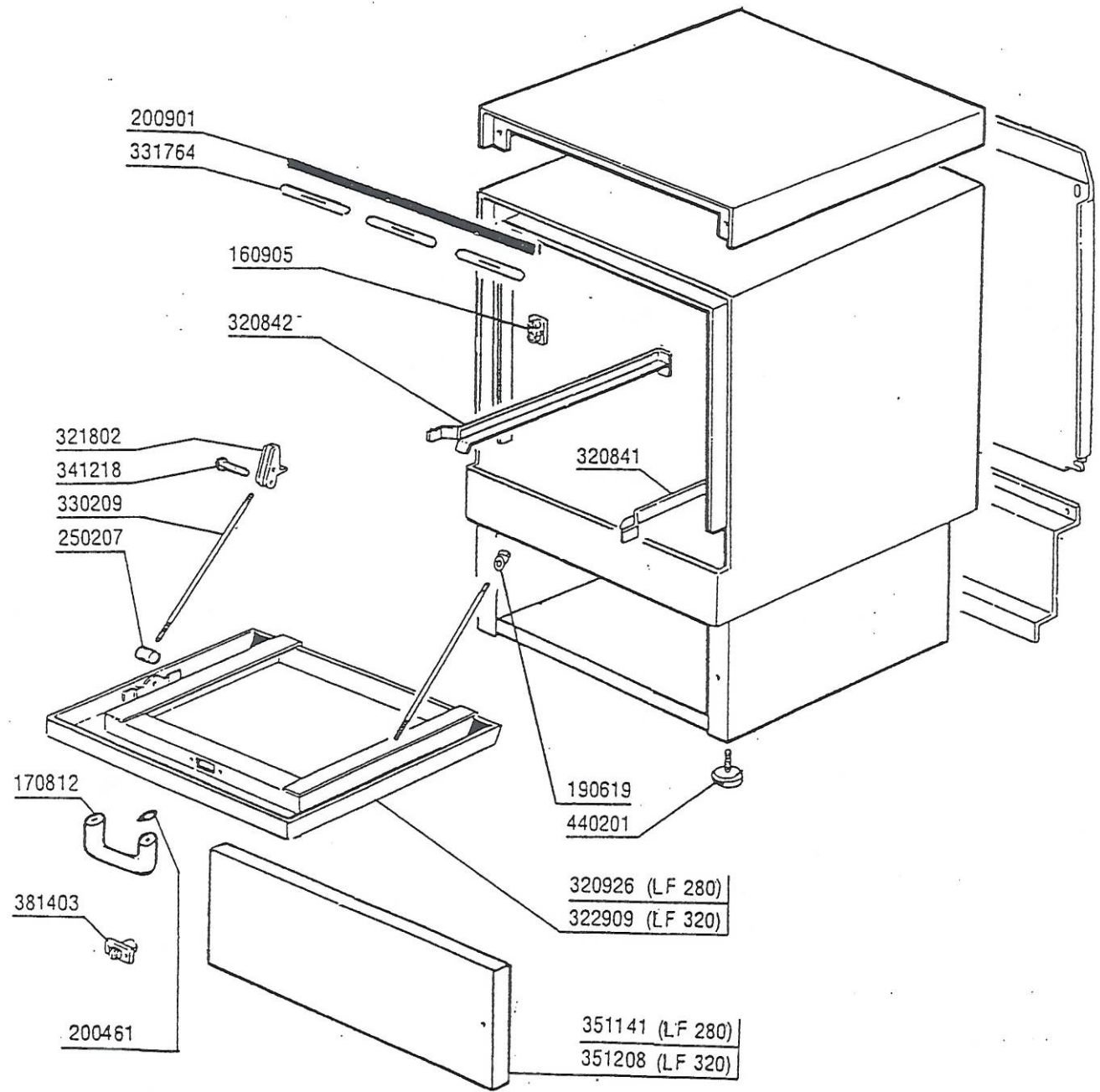


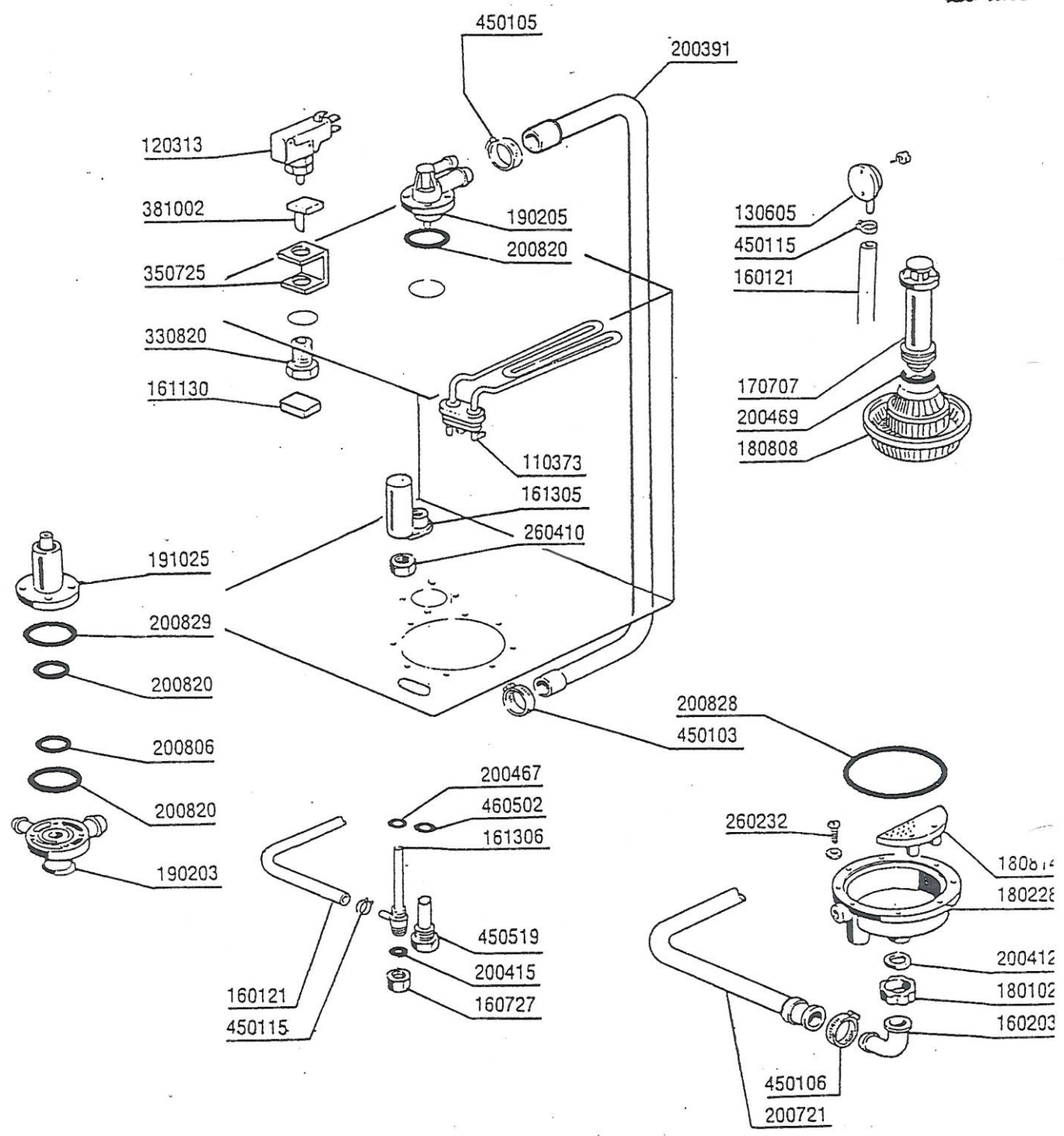
LF 280

LF 320

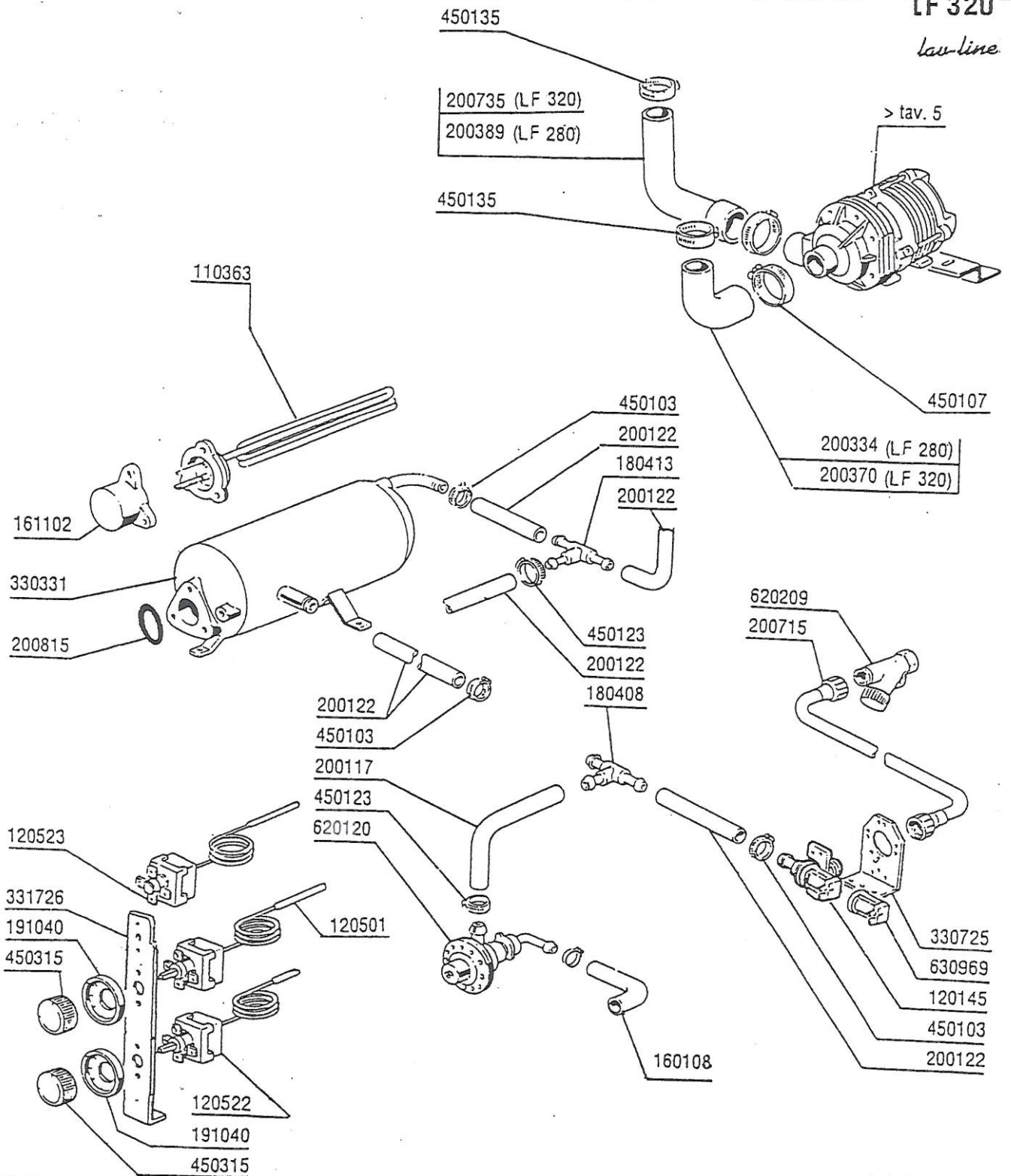
*low-line*

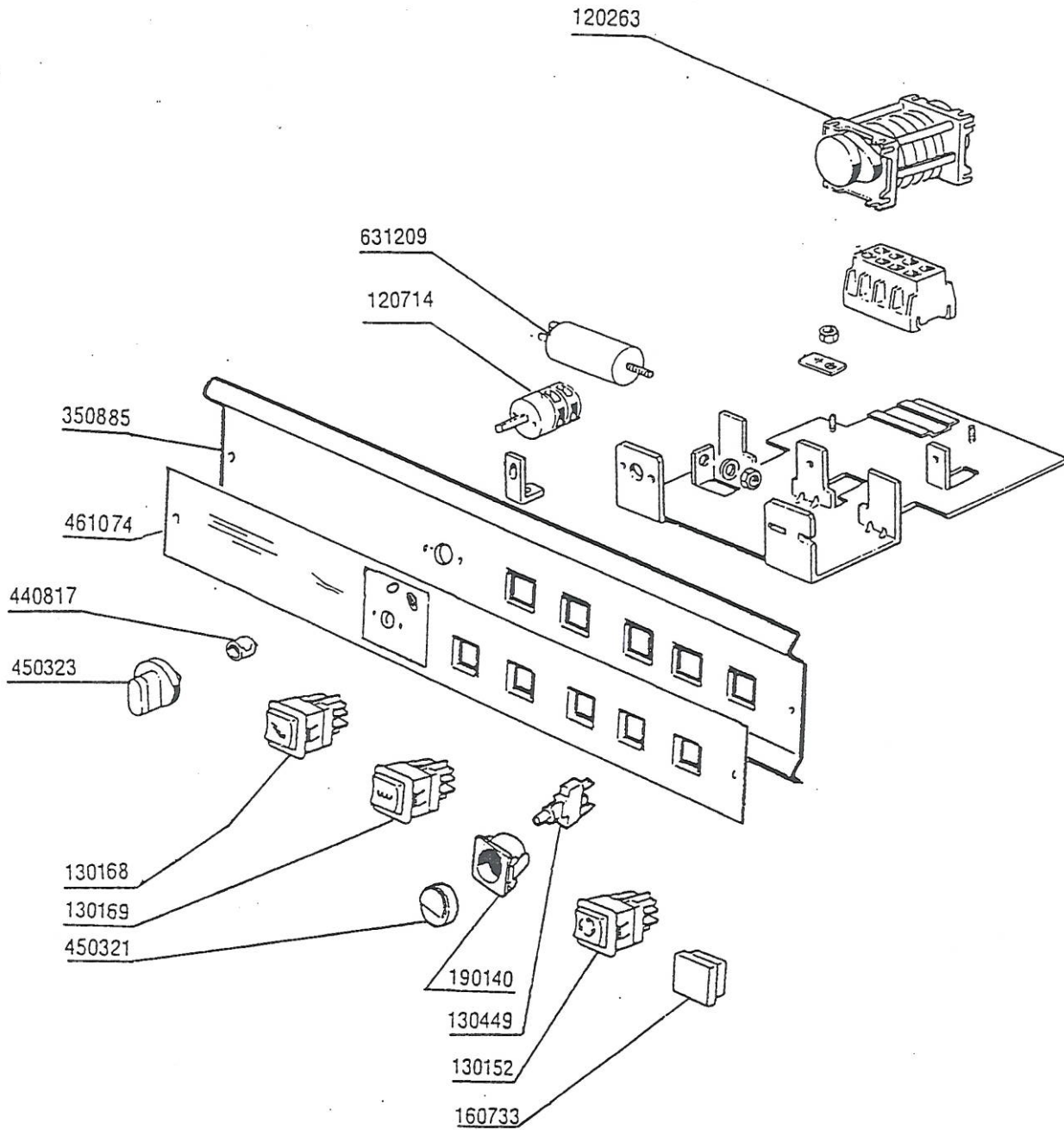


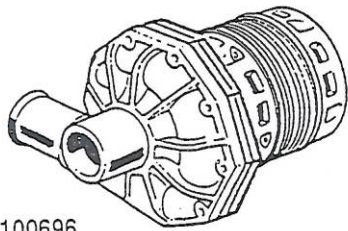

LF 28"  
LF 320  
*low-line*



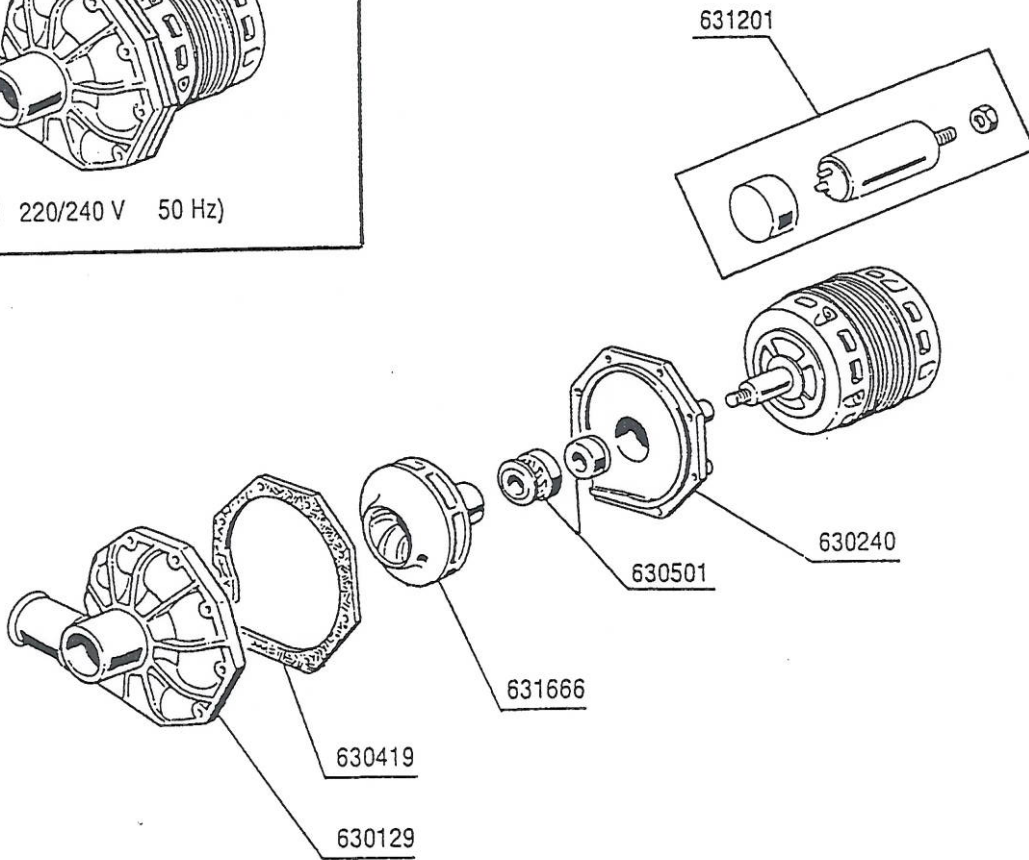

*low-line*



100696  
(HP 0,5 220/240 V 50 Hz)



---

---

---

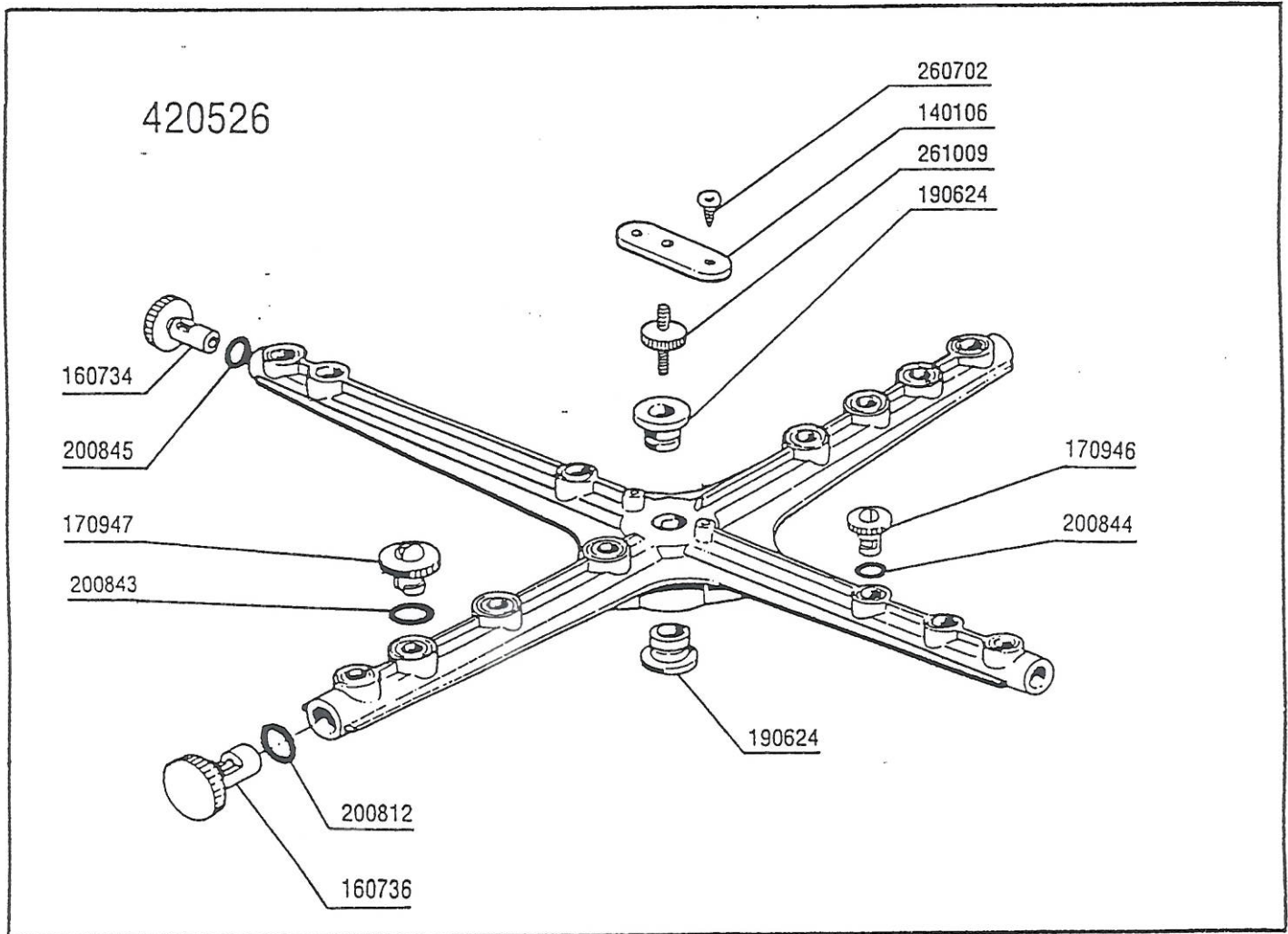
---

---

LF 280

LF 320

*low-line*



---

---

---

---

---