

PARTI DI RICAMBIO  
PIECES DETACHEES  
SPARE PARTS  
ERSATZTEILE  
LISTA DE RECAMBIOS

**FC 53**

10/94

**FC 54**

10/94

**FC 533**

01/96

**FC 543**

10/94

**FC 544**

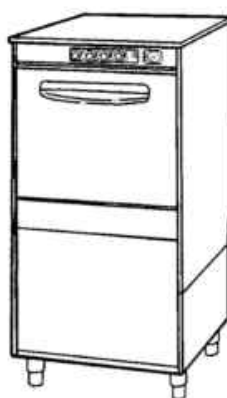
10/94

**FC HR ...**

10/94

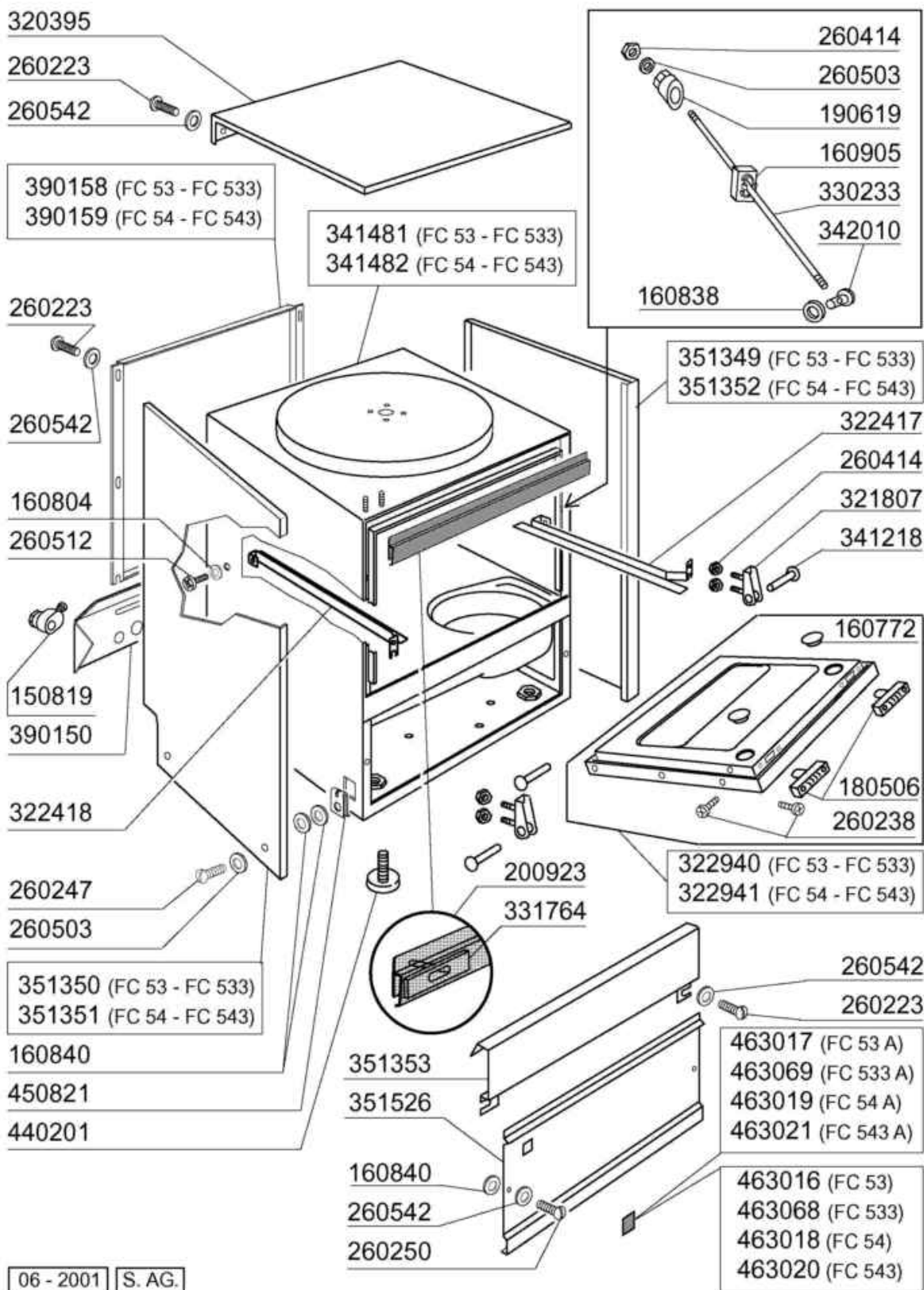
**FC ... / A**

10/94



02 - 1999 S. AG.

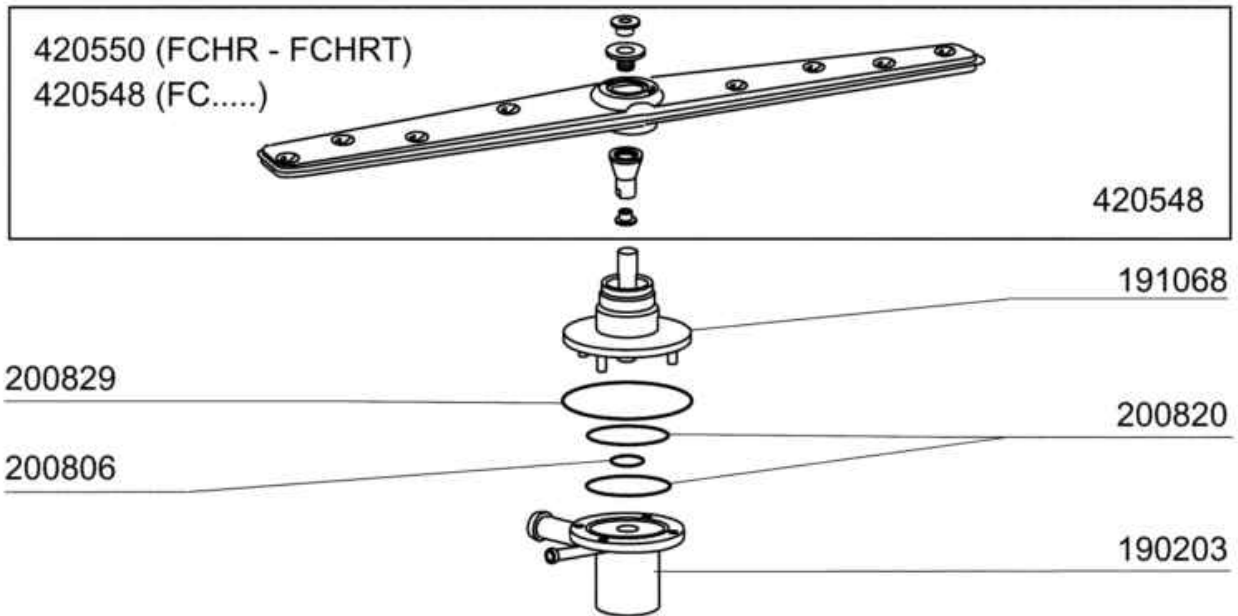
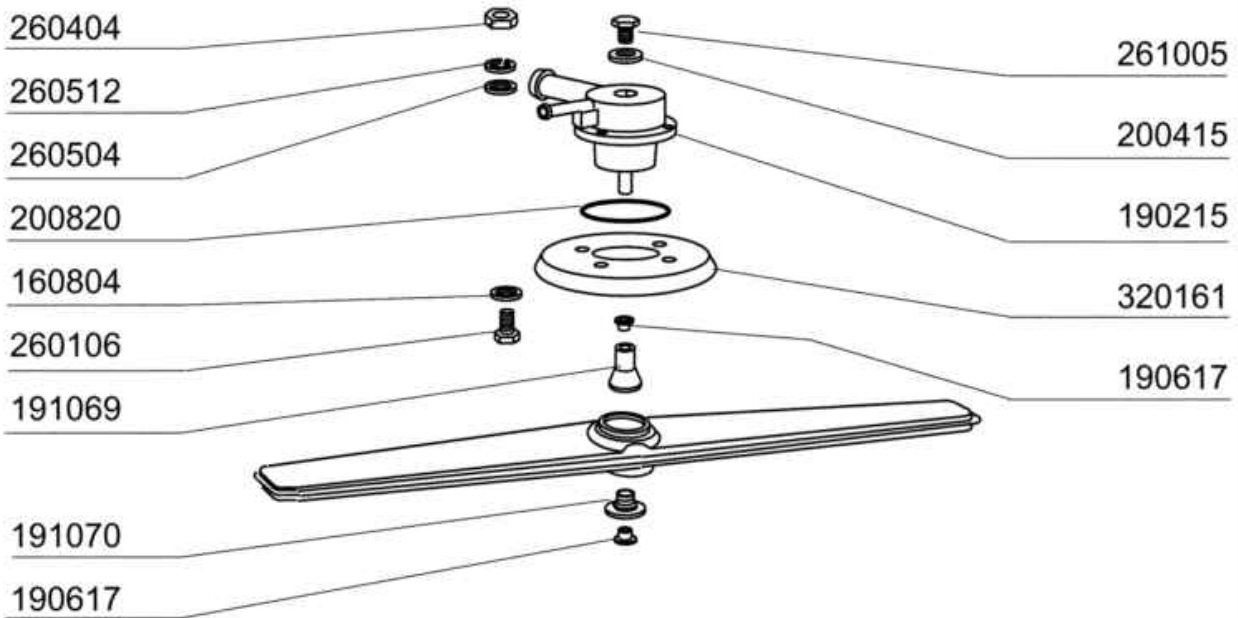
- 
- 1 Hood
  - 2 Wash arm
  - 3 Rinse arm
  - 4 Tank
  - 5 Wash
  - 6 Water softener
  - 7 Pump
  - 8 Rinse aid injector
  - 9 Control box 53 - 54
  - 10 Control panel with electronic timer
  - 11 Drain pump
  - 12 Detergent dispenser



| Code   | Description                     |
|--------|---------------------------------|
| 150819 | CABLE HOLDER PG16 WITH HOLE     |
| 160772 | PLUG FOR DOOR (BR-BC-FC)        |
| 160804 | GASKET D.6                      |
| 160838 | SLIDING WASHER TIE ROD FC       |
| 160840 | WASHER                          |
| 160905 | SLIDING PLATE F. TIE ROD        |
| 180506 | DOOR CATCH BR-BC-FC             |
| 190619 | DOOR CATCH B-F-R                |
| 200923 | DOOR GASKET                     |
| 260223 | M5X12 MSH/HD SCREW SPECIAL S/S  |
| 260238 | M4 X 10 MUSH/HD SCREW           |
| 260247 | SCREW TCB 5X16                  |
| 260250 | SCREW TB 5X20                   |
| 260414 | SELF-LOCKING NUT M5             |
| 260503 | STAINL. STEEL FLAT WASHER D5 UN |
| 260512 | ST/ST GROWER WASHER D6          |
| 260542 | WASHER D.5                      |
| 320395 | TOP PANEL FC                    |
| 321807 | DOOR HINGE FC MACHINES          |
| 322417 | RIGHT GUIDE FC                  |
| 322418 | LEFT GUIDE FC                   |
| 322940 | DOOR FC53-FC53A                 |
| 322941 | DOOR FC54-543-544-HR            |
| 330233 | FC DOOR TIE ROD                 |
| 331764 | FIXING PLATE FOR B-F DOOR GASK  |
| 341218 | HINGE PIN B-F-G                 |
| 341481 | HOOD FC53/53A                   |
| 341482 | HOOD FC54-543-544-HR            |
| 342010 | PIN FOR TIE ROD DOOR FC         |
| 351349 | LATERAL PANEL FC53              |
| 351350 | LATERAL PANEL FC53              |
| 351351 | LEFT PANEL FC54-544-543-HR      |
| 351352 | RIGHT PANEL FC54-543-544-HR     |
| 351353 | FRONT PANEL FC                  |
| 351526 | LOWER FRONT PANEL               |
| 390150 | LOWER BACK PANEL FC             |
| 390158 | BACK PANEL FC53A                |
| 390159 | BACK PANEL FC54A                |
| 440201 | RUBBER FOOT D.60X10             |
| 450821 | SPRING CLIP FASTENER SNU 3634   |
| 463016 | FC53 NAME                       |
| 463017 | FC53A NAME                      |
| 463018 | FC54 NAME                       |
| 463019 | FC54A NAME                      |
| 463020 | FC543 NAME                      |

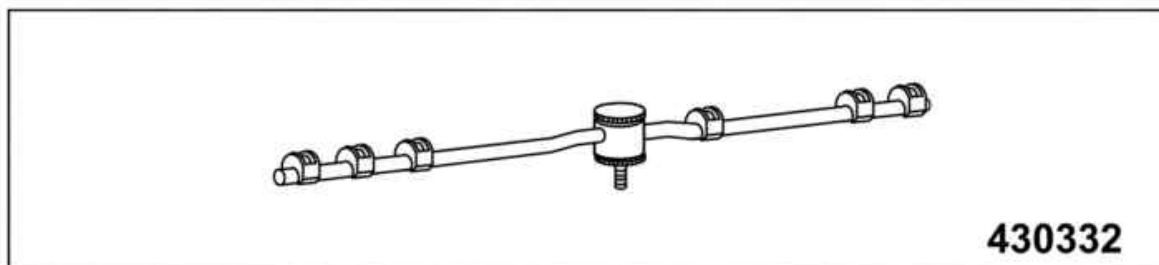
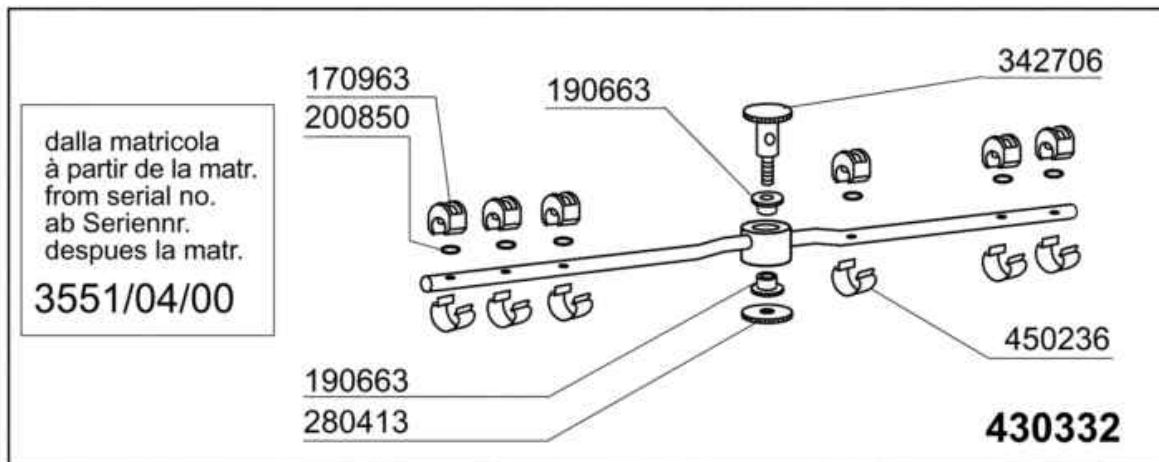
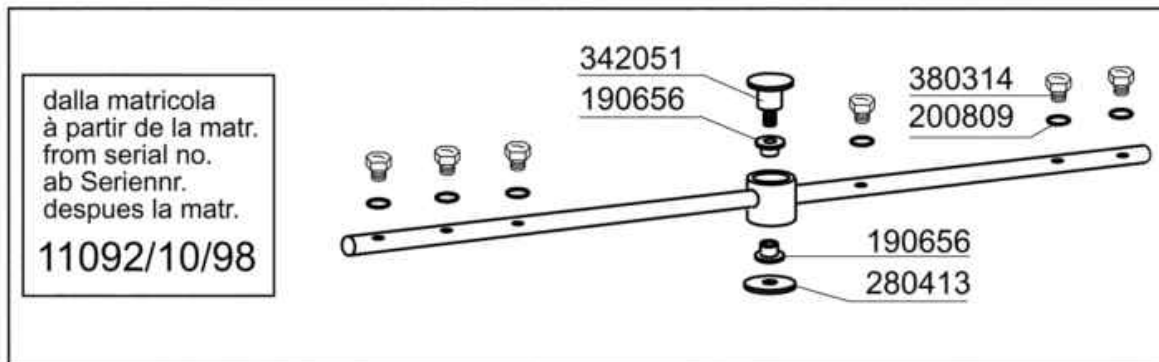
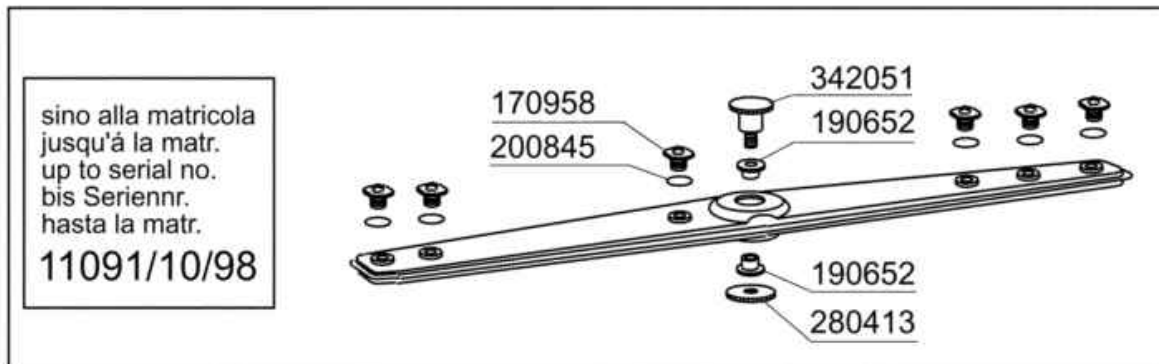
---

| Code   | Description |
|--------|-------------|
| 463021 | FC543A NAME |
| 463068 | FC533 NAME  |
| 463069 | FC533A NAME |



05 - 2000 S. AG.

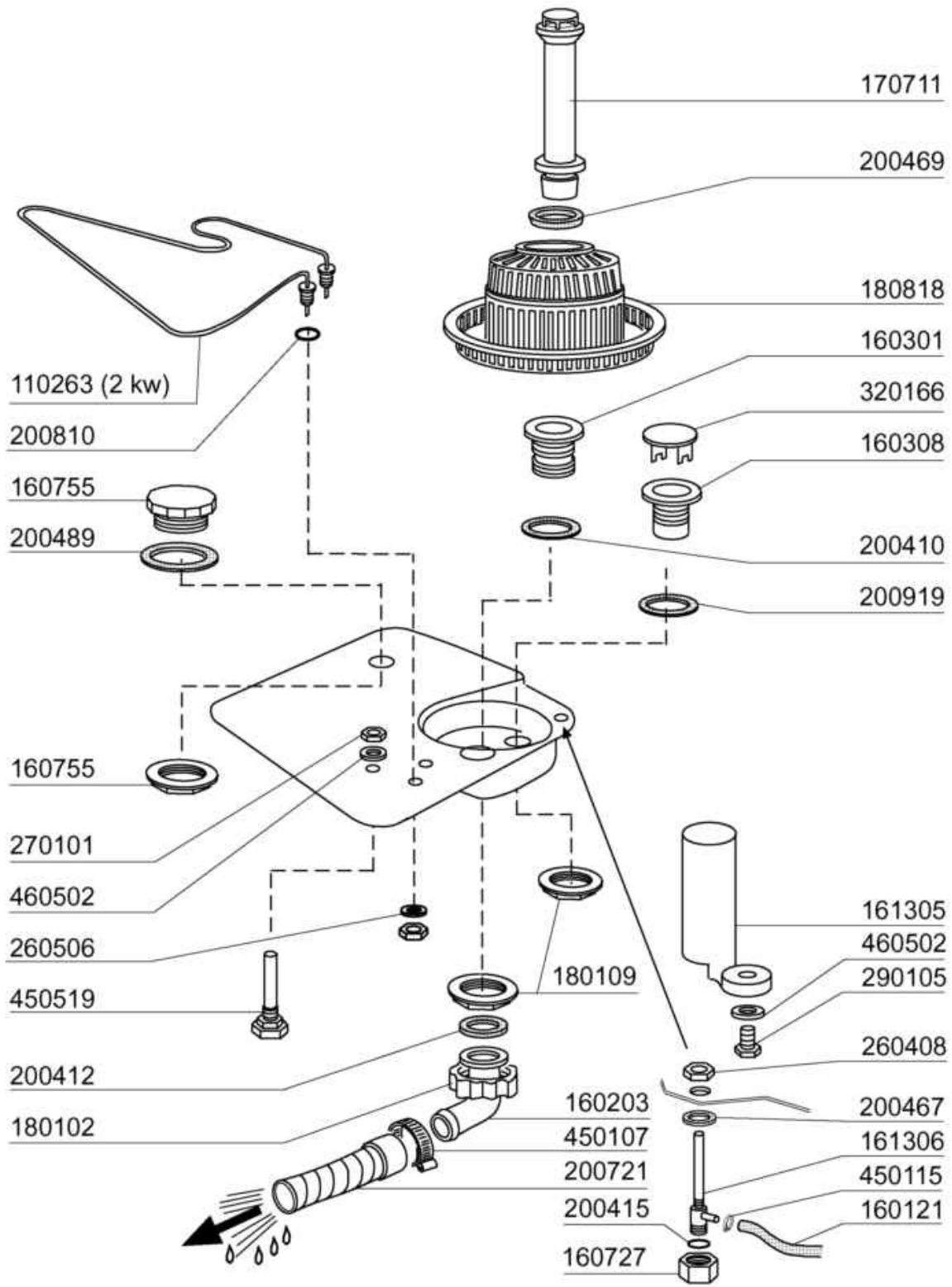
| Code   | Description                    |
|--------|--------------------------------|
| 160804 | GASKET D.6                     |
| 190203 | LOWER TEE WASH-RINSE F2-45-55- |
| 190215 | UPPER WASH/RINSE ARM SUPPORT F |
| 190617 | BUSH                           |
| 191068 | LOWER WASH ARM SUPPORT FC-MACH |
| 191069 | WASH ARM CENTER (FC - MACHINES |
| 191070 | LOCK NUT FOR WASH ARM CENTER ( |
| 200415 | AIR TRAP GASKET -F2 18,5X10X3  |
| 200806 | O-RING 2,62X13,10X18,34        |
| 200820 | O-RING151 46,99X5,33X57,6      |
| 200829 | O-RING 81,92X92,58X5,33        |
| 260106 | SCREW TE 6X25                  |
| 260404 | STAINLESS STEEL NUTS D6 UNI 55 |
| 260504 | ST/ST FLAT WASHER D6           |
| 260512 | ST/ST GROWER WASHER D6         |
| 261005 | SCREW F. TEE UP.WASH F2-B41    |
| 320161 | UPPER WASH ARM PROTECTION      |
| 420548 | FC WASH ARM (ST/ST)            |
| 420550 | WASH ARM FCHR - FCHRT          |



05 - 2000 S.A.G.

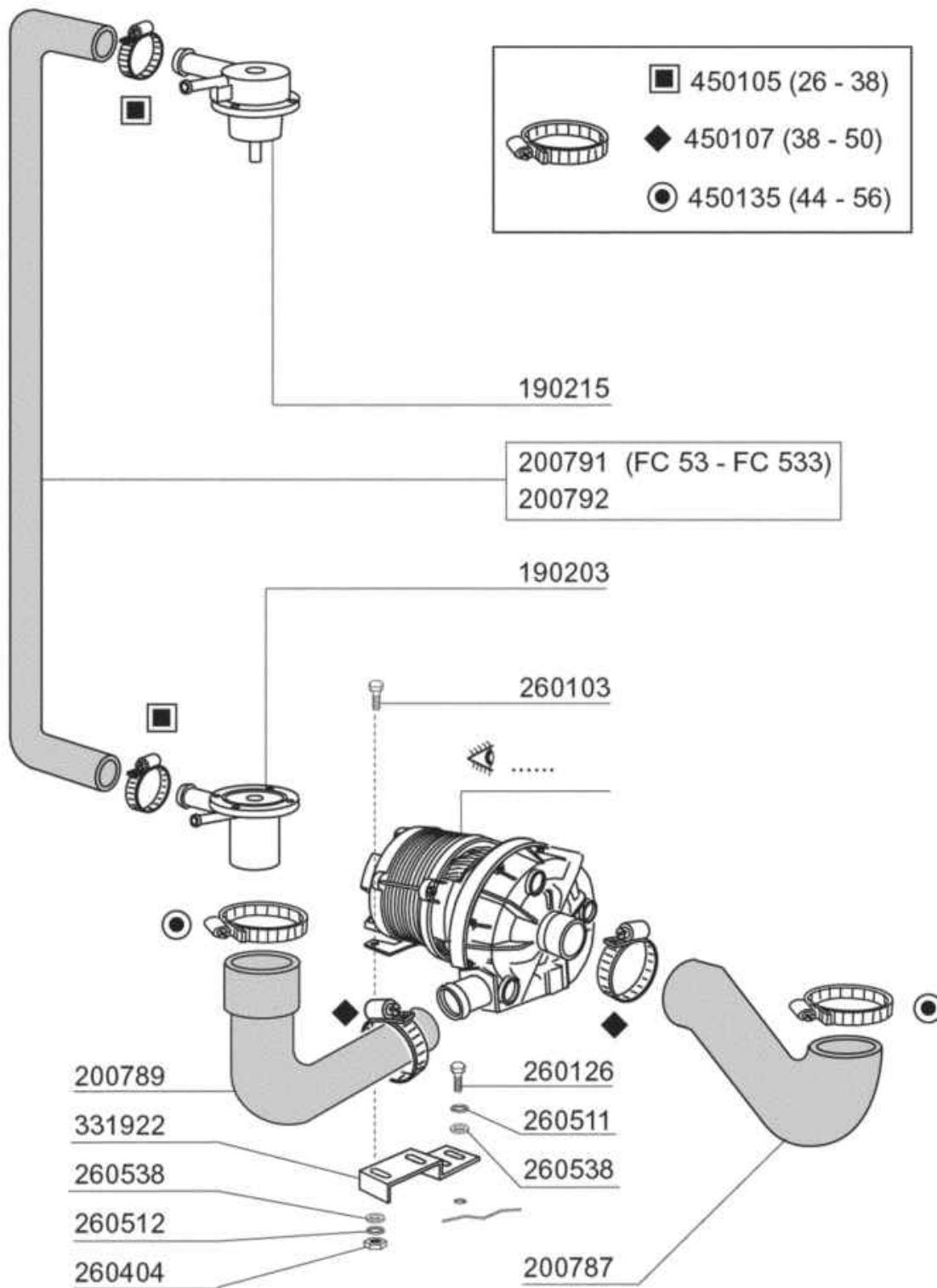


| Code   | Description                    |
|--------|--------------------------------|
| 170958 | RINSE JET FOR FC53-543         |
| 170963 | RINSE JET X FC                 |
| 190652 | RINSE ARM BUSH FC              |
| 190656 | BUSH RINSE ARM FC              |
| 190663 | BUSH                           |
| 200809 | OR GASKET 1,78X8,73X12,29      |
| 200845 | O RING 109 2,62X9,13X14,37     |
| 200850 | O-RING                         |
| 280413 | RETAIN.LOCK NUT FOR FC RINSE A |
| 342051 | RINSE ARM SUPPORT FC           |
| 342706 | SHAFT                          |
| 380314 | RINSE JETS 801/HR              |
| 430332 | RINSE ARM FC 01/00             |
| 450236 | SPRING FOR WASHER 170963       |



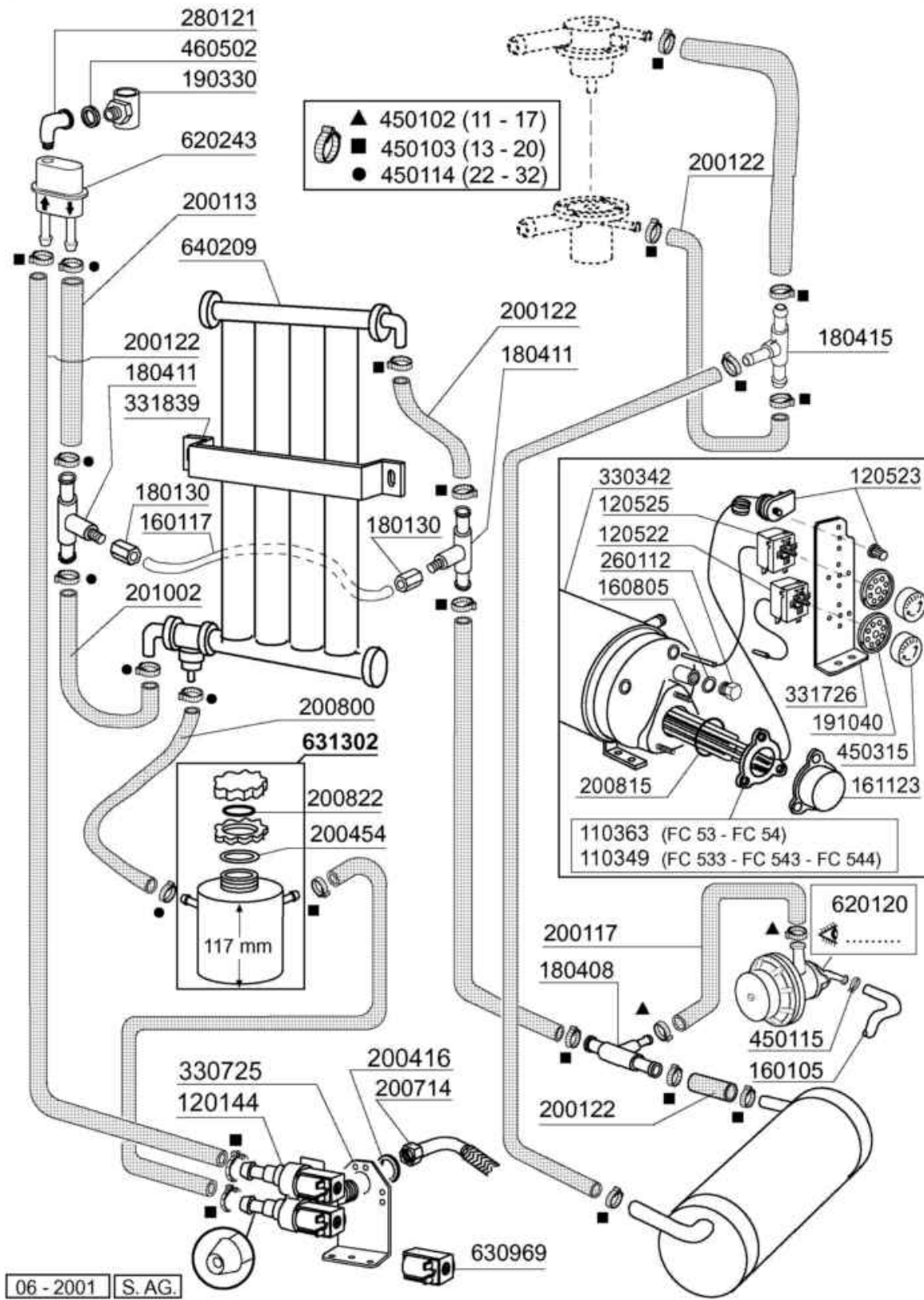
05 - 2002 S. AG.

| Code   | Description                    |
|--------|--------------------------------|
| 110263 | TANK HEATER 2000W 230V         |
| 160121 | HOSE EPDM D. 5 X 9             |
| 160203 | ELBOW 1"1/2 N-S-F-C /DRAIN     |
| 160301 | DRAIN OUTLET 1"1/2 C-S-N       |
| 160308 | PUMP INLET HOSE FC             |
| 160727 | PLUG 1/2 NTP CAP               |
| 160755 | PLUG FOR MACHINES WITHOUT SOFT |
| 161305 | AIR CHAMBER F45-F80            |
| 161306 | HOSE FOR AIR CHAMBER F45-80    |
| 170711 | OVERFLOW PIPE FC               |
| 180102 | DRAIN PIPE NUT 1"1/2 F45-55    |
| 180109 | LOCK NUT 1 1/2"                |
| 180818 | STRAINER FOR FC                |
| 200410 | DRAIN OUTL.WASH.1 1/2"65X47X2  |
| 200412 | GASKET DRAIN 1 1/2" 45X33X3    |
| 200415 | AIR TRAP GASKET -F2 18,5X10X3  |
| 200467 | DUTRAL GASKET F. AIR TRAP      |
| 200469 | STAND PIPE O RING 45X35,5X7    |
| 200489 | GASKET 81X68X3                 |
| 200721 | DRAIN HOSE 28X35 3MT.          |
| 200810 | O-RING 2,62X9,92X15,6 F.GLASSW |
| 200919 | GASKET FOR SUCTION BASIN FC    |
| 260408 | S/S NUTS D.12                  |
| 260506 | STAINL.STEEL FLAT WASHER D10   |
| 270101 | HEXAGON LOCK NUT 1/2"          |
| 290105 | BRASS-TE-PLUG 1/2"             |
| 320166 | VORTEX BREAKER FOR FC MACHINES |
| 450107 | CLAMP FE ZN 38-50 H=12,2       |
| 450115 | ELASTIC CLAMP D.8,3/7,8        |
| 450519 | TANK THERMOSTAT SHIELD C-F     |
| 460502 | GASKET 30X21X2                 |



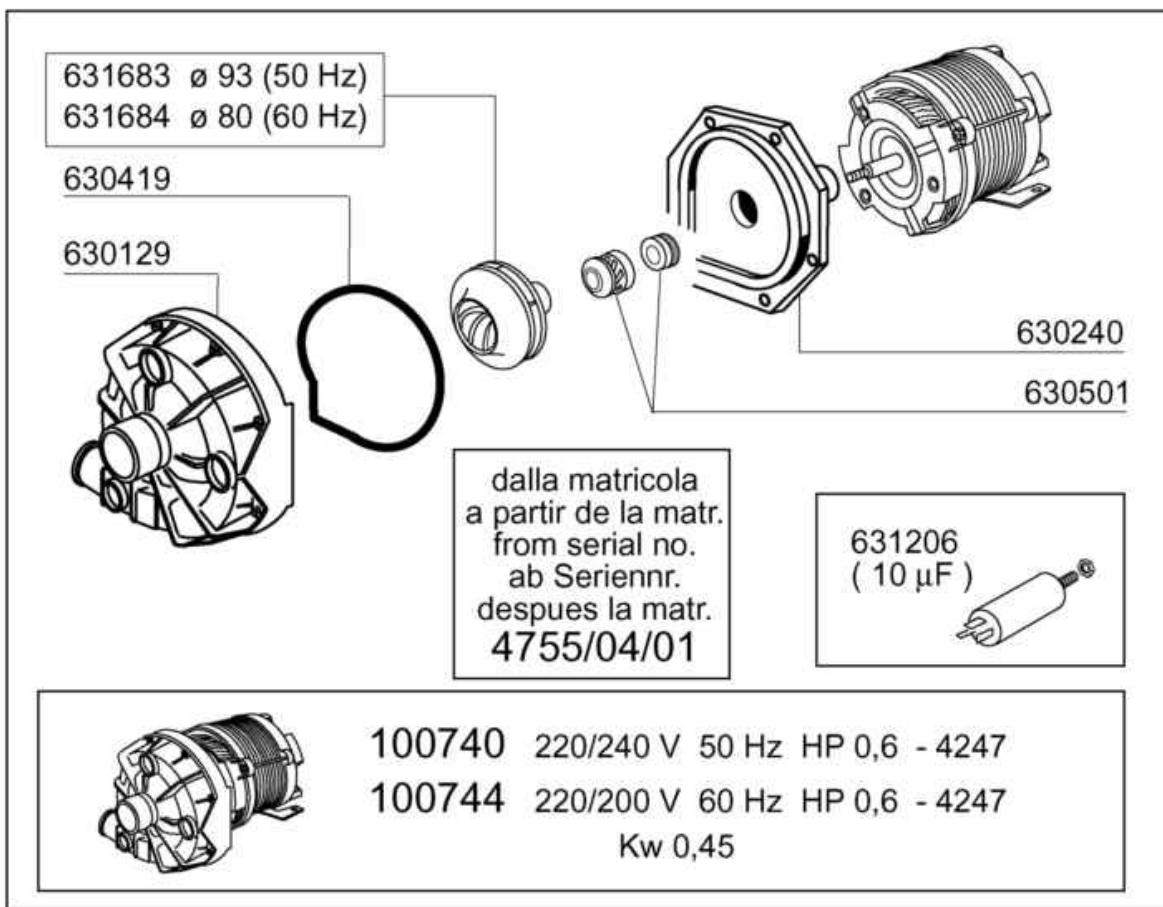
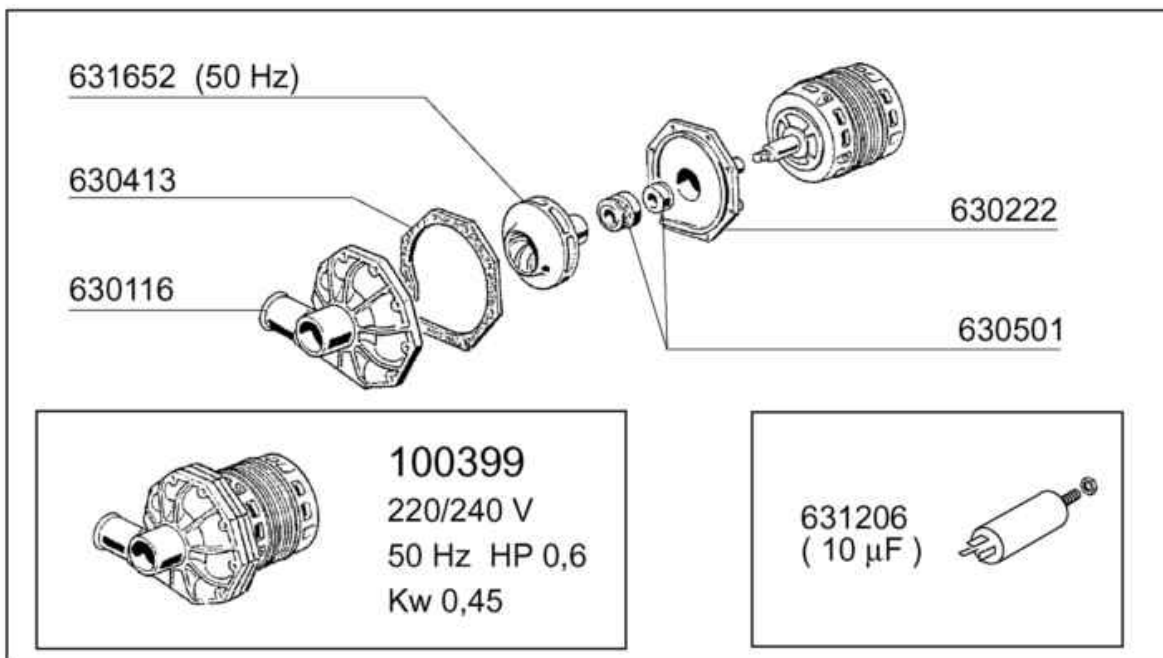
05 - 2001 S. AG.

| Code   | Description                    |
|--------|--------------------------------|
| 190203 | LOWER TEE WASH-RINSE F2-45-55- |
| 190215 | UPPER WASH/RINSE ARM SUPPORT F |
| 200787 | INLET HOSE FC53-FC544-FCHR     |
| 200789 | OUTLET HOSE FC                 |
| 200791 | UPPER/LOWER WASH HOSE FC53     |
| 200792 | HOSE FOR UPPER/LOWER WASH FC54 |
| 260103 | SCREW TE 6X12                  |
| 260126 | SCREW TE 5X12                  |
| 260404 | STAINLESS STEEL NUTS D6 UNI 55 |
| 260511 | GROWER WASHER D.5              |
| 260512 | ST/ST GROWER WASHER D6         |
| 260538 | WASHER 18X6X1,5 ST/ST          |
| 331922 | BRACKET F. PUMP "F"            |
| 450105 | CLAMP FE ZN. 26-38 H=12,2      |
| 450107 | CLAMP FE ZN 38-50 H=12,2       |
| 450135 | CLAMP FE ZN. 44-56 H=12,2      |



06 - 2001 S. AG.

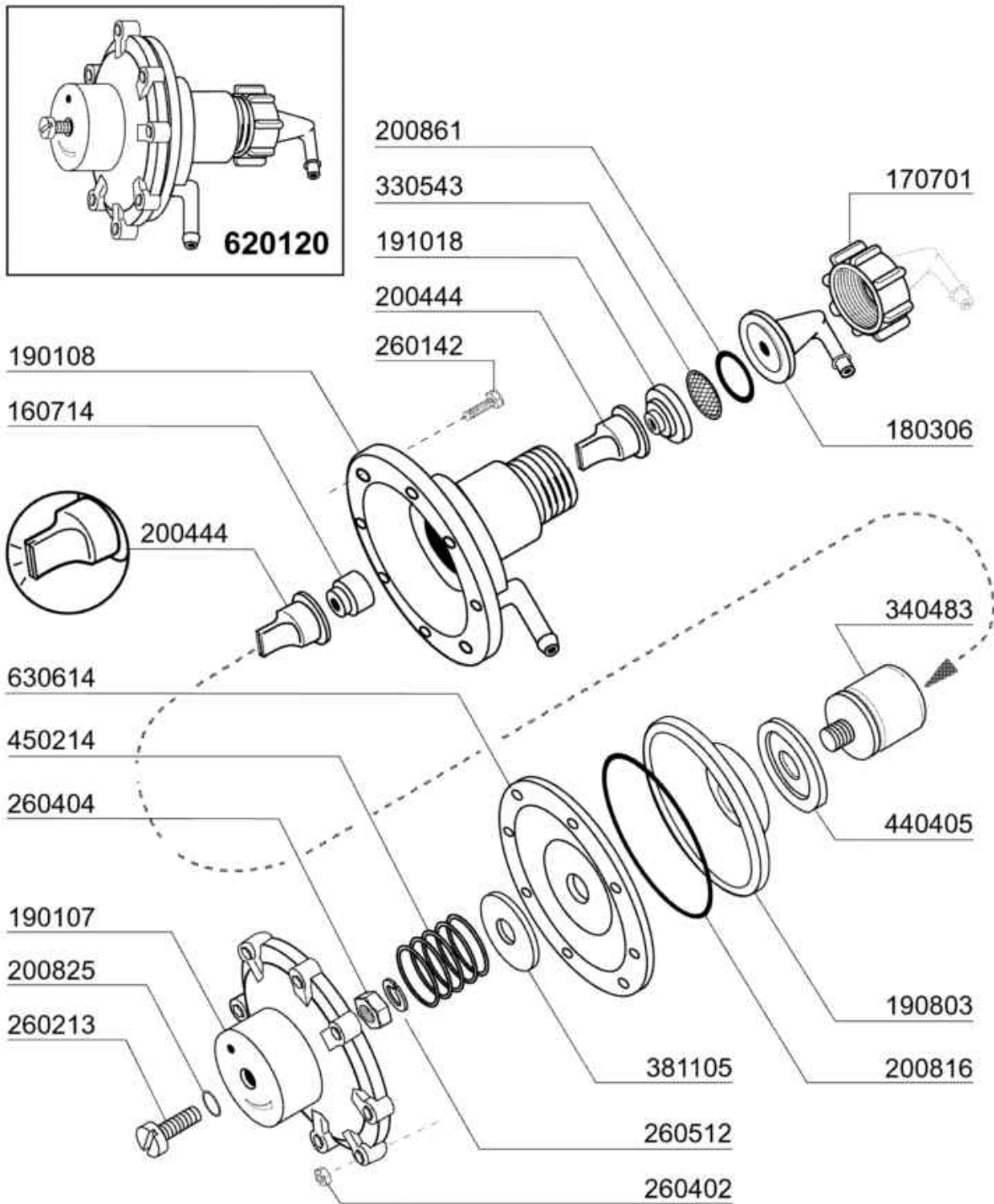
| Code   | Description                    |
|--------|--------------------------------|
| 110349 | HEAT.ELEMENT 6000W 230/400V    |
| 110363 | HEATING ELEMENT 3000W 230V     |
| 120144 | SOLENOID VALVE FCA 20 LT TYPE  |
| 120522 | TANK THERMOSTAT 90?            |
| 120523 | SAFETY THERMOSTAT 110?         |
| 120525 | BOOSTER THERMOSTAT 2 TEMPERAT. |
| 160105 | INJECT.INLET HOSE D.6X4        |
| 160117 | HOSE 6,3X1,1 WITHE             |
| 160805 | GASKET D.8                     |
| 161123 | HEAT.ELEMENT COVER H42 SNL     |
| 180130 | CONNECTION NUT FOR BY PASS (1/ |
| 180408 | TEE-NIPPLE F.INJECT.W/CENTR.RE |
| 180411 | TEE-NIPPLE FOR BY PASS "BTM"   |
| 180415 | TEE NIPPLE DOUBLE "T"          |
| 190330 | TEE FOR VAACUM BREAKER         |
| 191040 | FRAME F.THERMOSTAT KNOB        |
| 200113 | RUBBER HOSE 12 X 22            |
| 200117 | RUBBER HOSE 7X16               |
| 200122 | HOSE 11X19                     |
| 200416 | GASKET D. 3/4"                 |
| 200454 | GASKET F. SALT CONT.           |
| 200714 | GLASSWASHER INLET HOSE         |
| 200800 | HOSE FOR SALT CONTAINER        |
| 200815 | O-RING F. HEAT. ELEM.          |
| 200822 | PLUG GASKET OF SALT CONTAINER  |
| 201002 | HOSE                           |
| 260112 | STAINLESS STEEL TE-SCREW 8X16  |
| 280121 | ELL FOR VAACUM BREAKER         |
| 330342 | BOILER C1000/1300-FC-LC        |
| 330725 | STANDARD BRACKET F.SOLEN.VALV  |
| 331726 | BRACKET FOR 3 THERMOSTATS      |
| 331839 | BRACKET FOR WATER SOFTENER     |
| 450102 | CLAMP FE ZN 11-17 H=9          |
| 450103 | CLAMP FE ZN. 13-20 H=9         |
| 450114 | CLAMP FE ZN.22-32 H=12,2       |
| 450115 | ELASTIC CLAMP D.8,3/7,8        |
| 450315 | KNOB F. THERMOSTAT 90?         |
| 460502 | GASKET 30X21X2                 |
| 620120 | RINSE AID INJECTOR             |
| 620243 | VACUUM BREAKER (WITHOUT KIT)   |
| 630969 | COIL S4216 220/50HZ            |
| 631302 | SALT CONTAINER                 |
| 640209 | WATER SOFTENER (4 COLUMNS)     |



05 - 2001 | S.AG.



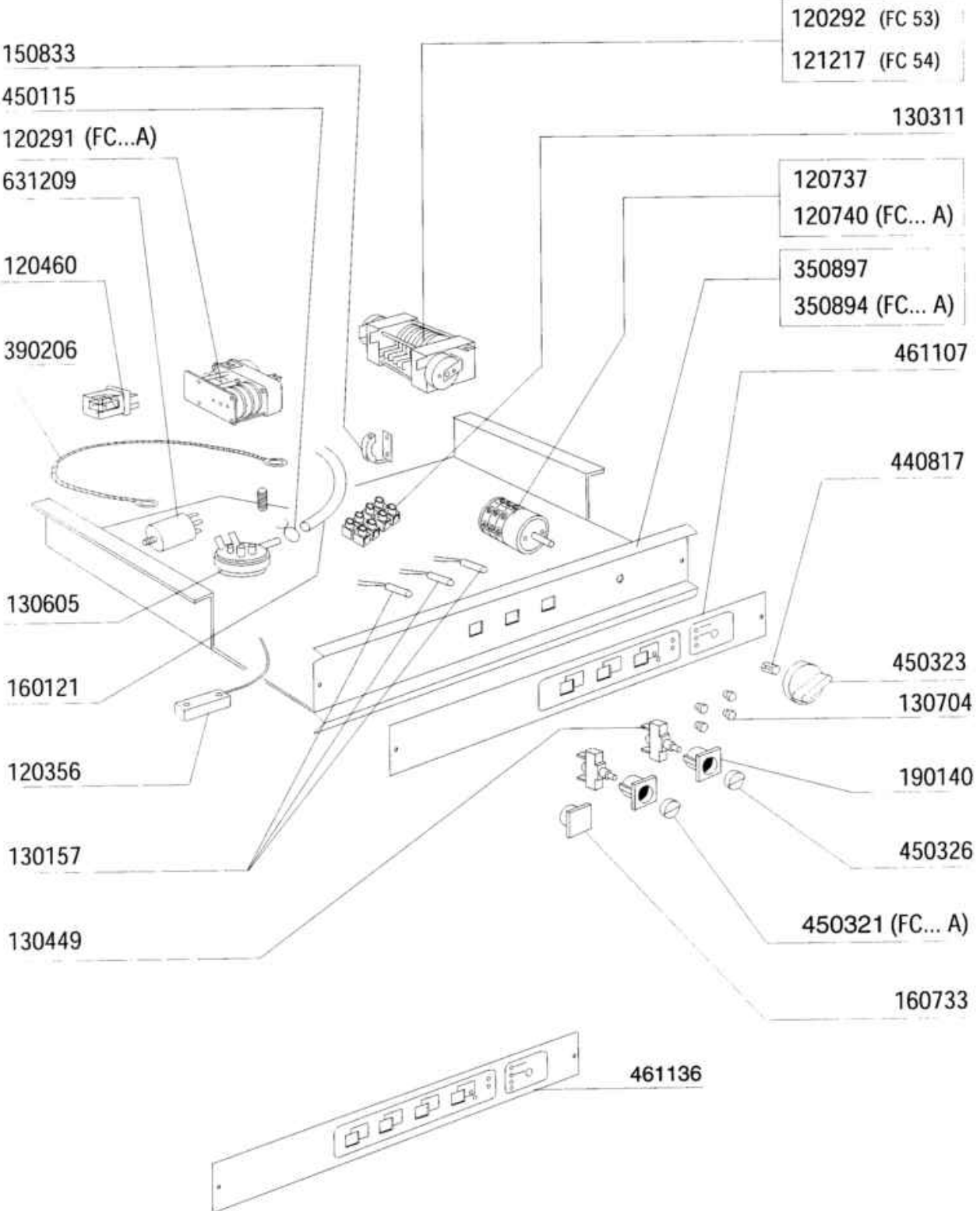
| Code   | Description                  |
|--------|------------------------------|
| 100399 | PUMP HPO,6 220-50HZ (100740) |
| 100740 | PUMP 0,6HP 220/240V 4247     |
| 100744 | PUMP HP 0,6 200-220-60HZ     |
| 630116 | -NO MORE AVAILABLE           |
| 630129 | VOLUTE PUMP 0,5HP 2247       |
| 630222 | COVER PUMP IB HP 0,4         |
| 630240 | PUMP FLANGE 0,6HP-4247 FIR   |
| 630413 | -NO MORE AVAILABLE           |
| 630419 | PUMP GASKET 2247 0,5HP       |
| 630501 | SEAL FOR PUMP HP 2-3-3,2     |
| 631206 | CONDENSER 10MF. 450V 85C     |
| 631652 | -NO MORE AVAILABLE           |
| 631683 | PUMP IMPELLER 50HZ FIR 4247  |
| 631684 | IMPELLER FOR PUMP 60 HZ      |



02 - 2004 | S. AG.

## Rinse aid injector

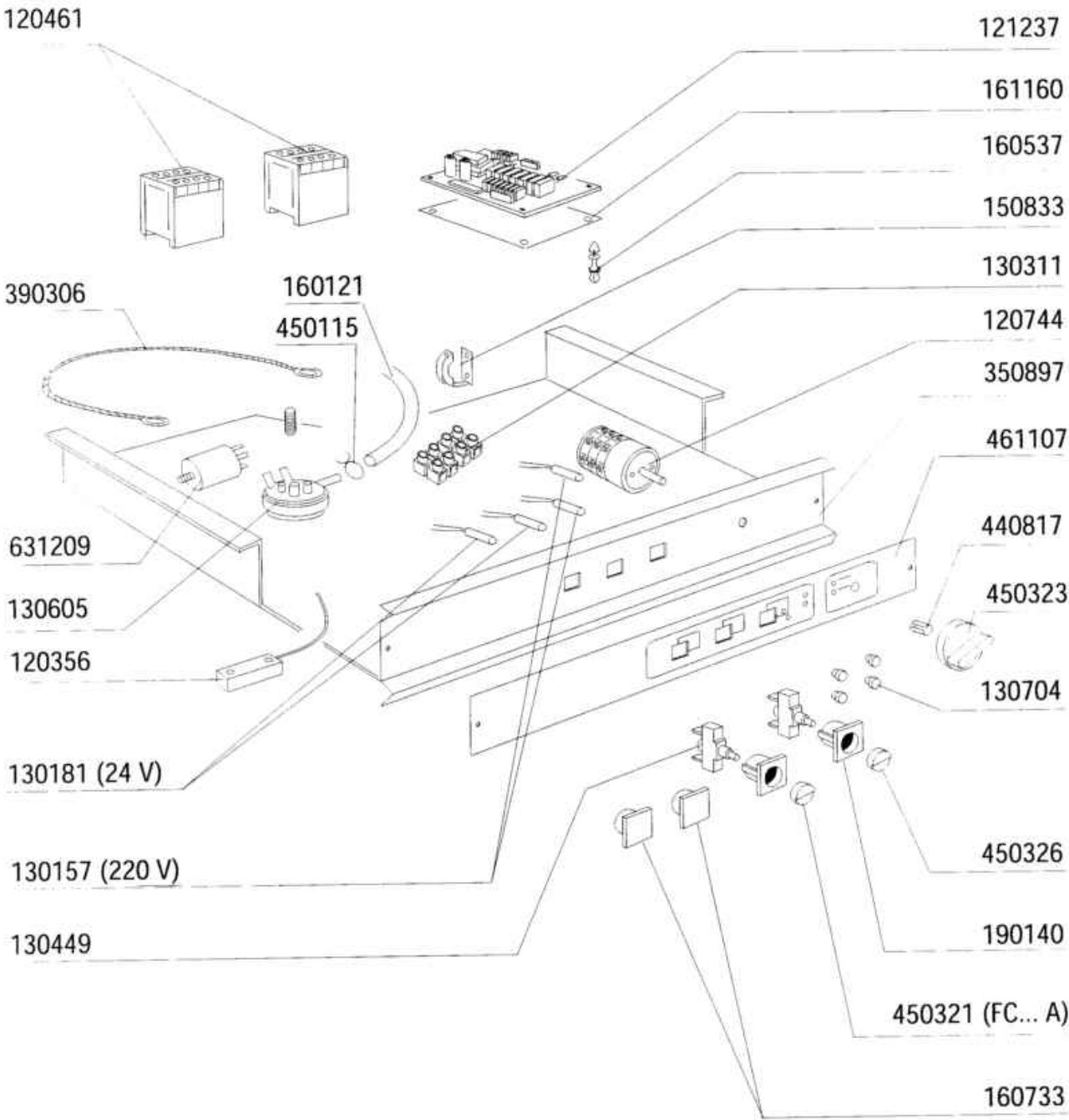
| Code   | Description                    |
|--------|--------------------------------|
| 160714 | PLUG FOR RINSE AID INJECTOR MO |
| 170701 | LOCK NUT 1/2" F.INJECTOR       |
| 180306 | NIPPLE F.RINSE AID INJECTOR    |
| 190107 | COVER FOR RINSE AID DISPENSER  |
| 190108 | VOLUTE FOR RINSE AID DISPENSER |
| 190803 | GASKET SUPPORT RING F.INJECT   |
| 191018 | FILTER SUPPORT RINSE AID INJEC |
| 200444 | SUCTION VALVE RINSE INJECTOR   |
| 200816 | O-RING 2,5X59,2X64,2 RINSE INJ |
| 200825 | O-RING 3X5X11 RINSE INJECTOR   |
| 200861 | O-RING 14X18X2                 |
| 260142 | SCREW TE 4X16                  |
| 260213 | SCREW TCP 5X25                 |
| 260402 | STAINLESS STEEL NUT D4 UNI 55  |
| 260404 | STAINLESS STEEL NUTS D6 UNI 55 |
| 260512 | ST/ST GROWER WASHER D6         |
| 330543 | FILTER RINSE AID INJECTOR D.17 |
| 340483 | PISTON FOR RINSE AID DISPENSER |
| 381105 | DIAPHRAGME DISC                |
| 440405 | GASKET FOR RINSE AID INJ.      |
| 450214 | SPRING RINSE AID INJECTOR      |
| 620120 | RINSE AID INJECTOR             |
| 630614 | DIAPHRAGM RINSE INJECTOR       |



02 - 1999 | S. AG 01

| Code   | Description                    |
|--------|--------------------------------|
| 120291 | REGENERATION TIMER 20'         |
| 120292 | TIMER 90/180"                  |
| 120356 | DOOR MAGN.SWITCH               |
| 120460 | RELAY 16A 220V                 |
| 120737 | 4 POLE SWITCH 16A 3 POSITIONS  |
| 120740 | 6 POLE MAIN SWITCH 15A-4 POS.  |
| 121217 | TIMER 120"-180"                |
| 130157 | GREEN LED FOR BR-BC-C-SERIES - |
| 130311 | TERMINAL BLOCK                 |
| 130449 | PUSH BUTTON BR-BC-FC           |
| 130605 | PRESSURE SWITCH 50-30 1 LEVEL  |
| 130704 | GREEN COLOUR.IND.LAMP COVER    |
| 150833 | CABLE HOLDER BC/BR             |
| 160121 | HOSE EPDM D. 5 X 9             |
| 160733 | BLANK PLATES                   |
| 190140 | BUTTON HOLDER BR-BC-FC         |
| 350894 | PANEL SUPPORT FC-A             |
| 350897 | SUPPORT FOR CONTROL PANEL FC   |
| 390206 |                                |
| 440817 | SNAP RING LSCB/1853/17/00      |
| 450115 | ELASTIC CLAMP D.8,3/7,8        |
| 450321 | GREY COVER FOR PUSH BUTTON BR- |
| 450323 | KNOB FOR BC-BR-C95-C155        |
| 450326 | PUSH BUTTON "CYCLE" GREEN      |
| 461107 | PLATE FC53-54-543-544          |
| 461136 | PLATE FC-A                     |
| 631209 | ANTI-NOISE FILTER              |

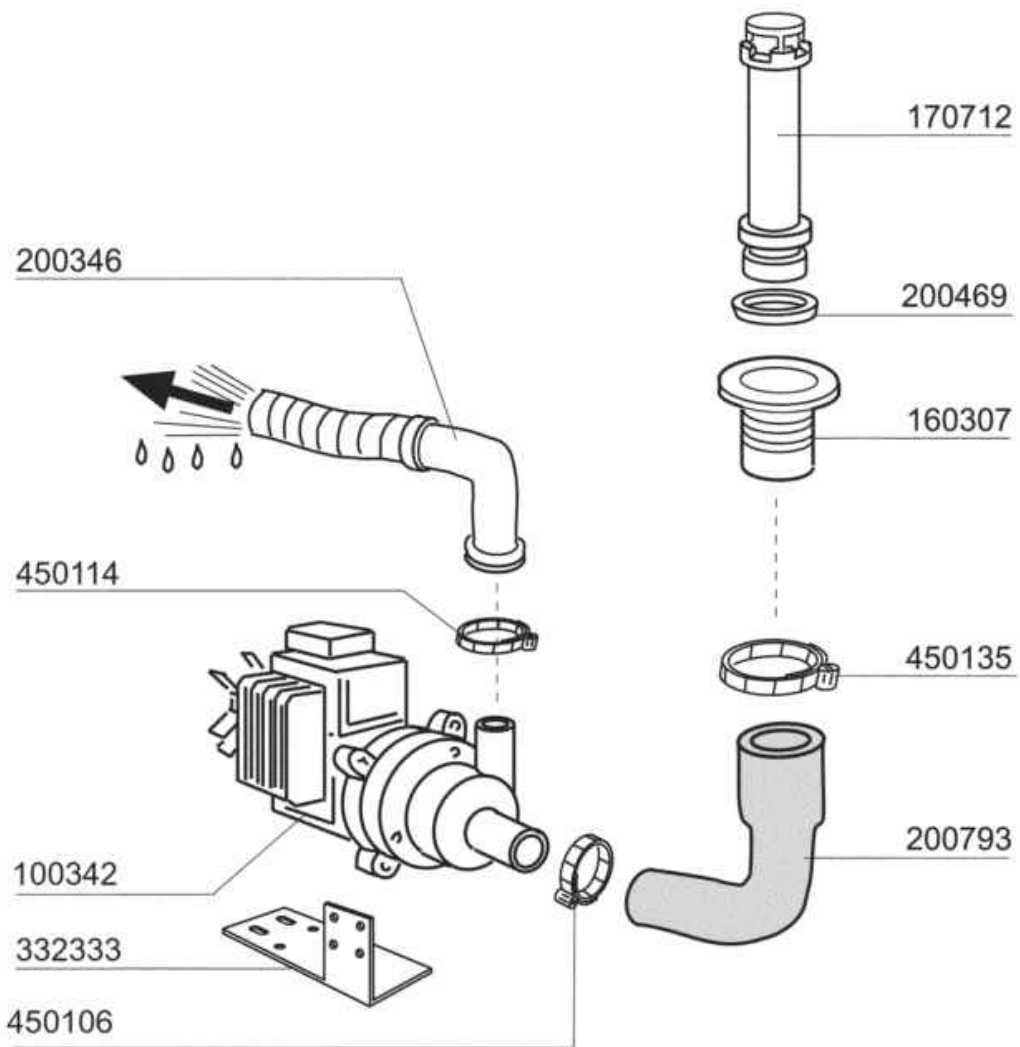
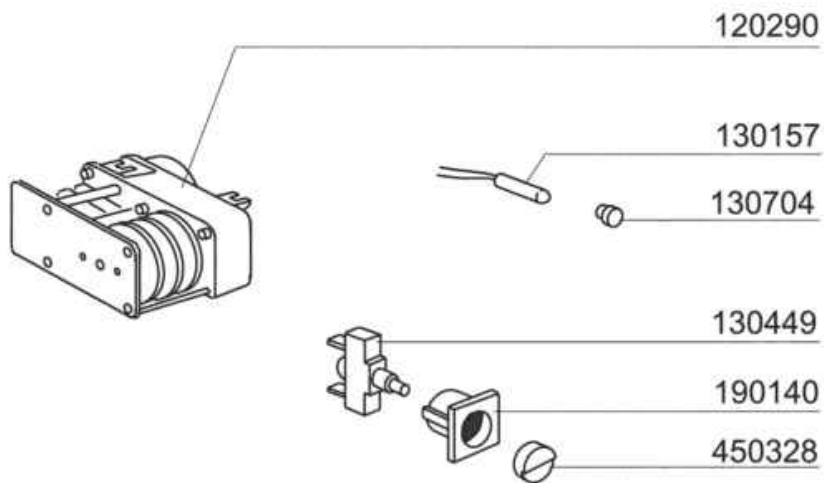
Control panel with electronic timer



02 - 1999 S. AG 02

## Control panel with electronic timer

| Code   | Description                    |
|--------|--------------------------------|
| 120356 | DOOR MAGN.SWITCH               |
| 120461 | CONTACTOR ABB B6-30-01 220V    |
| 120744 | SWITCH QUADRIPOL.16A 380V      |
| 121237 | ELECTRONIC PCB (FC WITH SOFT.) |
| 130157 | GREEN LED FOR BR-BC-C-SERIES - |
| 130181 | GREEN LAMP 24V                 |
| 130311 | TERMINAL BLOCK                 |
| 130449 | PUSH BUTTON BR-BC-FC           |
| 130605 | PRESSURE SWITCH 50-30 1 LEVEL  |
| 130704 | GREEN COLOUR.IND.LAMP COVER    |
| 150833 | CABLE HOLDER BC/BR             |
| 160121 | HOSE EPDM D. 5 X 9             |
| 160537 | ELECTRONIC CARD SPACER         |
| 160733 | BLANK PLATES                   |
| 161160 | PROTECTION ELECT.CARD C/F      |
| 190140 | BUTTON HOLDER BR-BC-FC         |
| 350897 | SUPPORT FOR CONTROL PANEL FC   |
| 390306 | CABLE                          |
| 440817 | SNAP RING LSCB/1853/17/00      |
| 450115 | ELASTIC CLAMP D.8,3/7,8        |
| 450321 | GREY COVER FOR PUSH BUTTON BR- |
| 450323 | KNOB FOR BC-BR-C95-C155        |
| 450326 | PUSH BUTTON "CYCLE" GREEN      |
| 461107 | PLATE FC53-54-543-544          |
| 631209 | ANTI-NOISE FILTER              |



05 - 2001 S. AG.



| Code   | Description                    |
|--------|--------------------------------|
| 100342 | DRAIN PUMP 100 W 220V          |
| 120290 | TIMER FOR DRAIN PUMP           |
| 130157 | GREEN LED FOR BR-BC-C-SERIES - |
| 130449 | PUSH BUTTON BR-BC-FC           |
| 130704 | GREEN COLOUR.IND.LAMP COVER    |
| 160307 | DRAIN OUTLET FC                |
| 170712 | OVERFLOW PIPE FOR DRAIN PUMP   |
| 190140 | BUTTON HOLDER BR-BC-FC         |
| 200346 | DRAIN HOSE GLASSWASHER         |
| 200469 | STAND PIPE O RING 45X35,5X7    |
| 200793 | DRAIN PUMP INLET HOSE FC       |
| 332333 | BRACKET FOR DRAIN PUMP         |
| 450106 | CLAMP FE ZN 32-44 H=12,2       |
| 450114 | CLAMP FE ZN.22-32 H=12,2       |
| 450135 | CLAMP FE ZN. 44-56 H=12,2      |
| 450328 | DRAIN SWITCH                   |

620242

200467

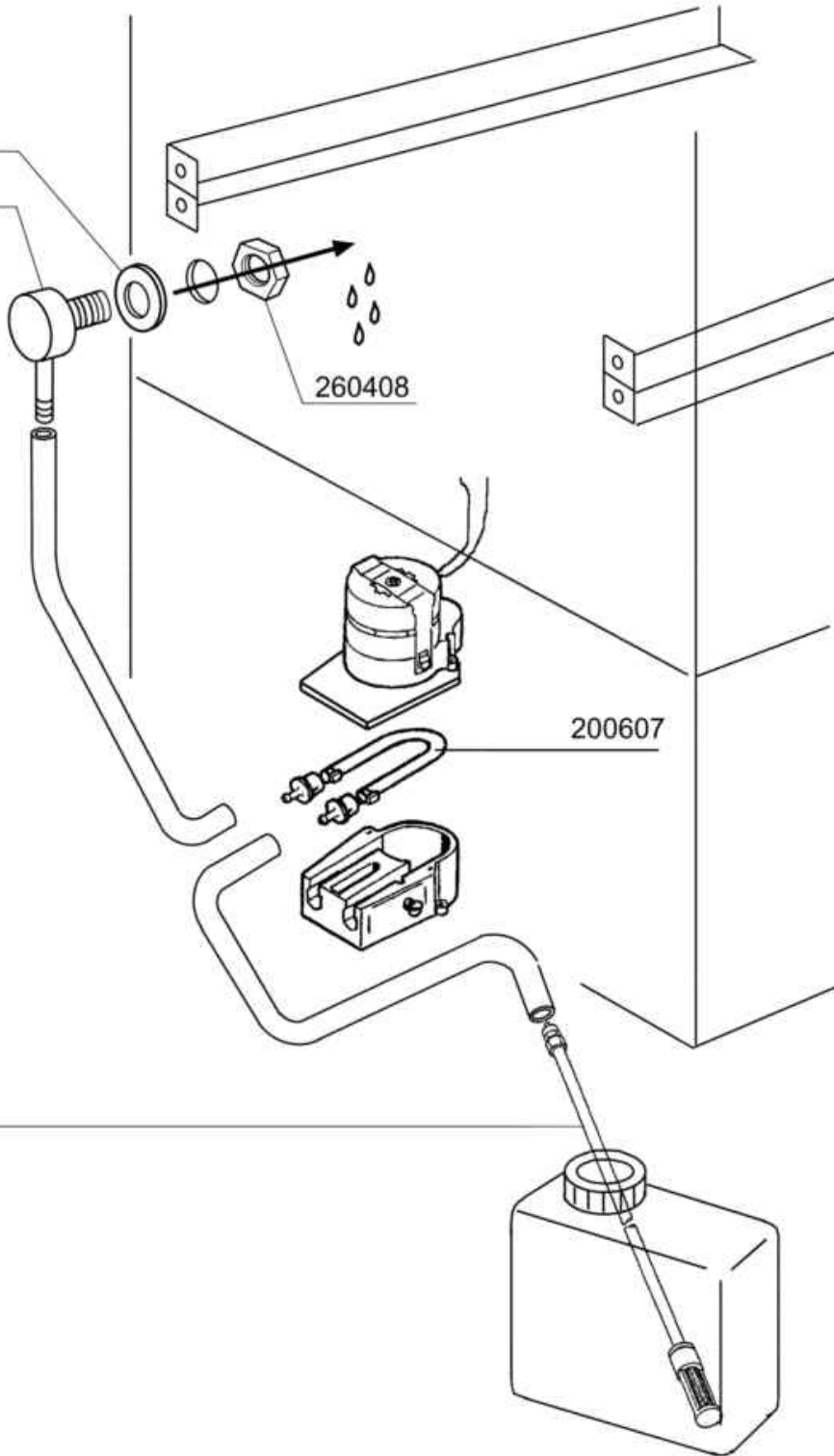
251213

260408

200607

180719

10 - 2000 S. AG.



## Detergent dispenser

| Code   | Description                    |
|--------|--------------------------------|
| 180719 | DETERGENT DISPENSER SUCTION HO |
| 200467 | DUTRAL GASKET F. AIR TRAP      |
| 200607 | DETERGENT DISPENSER HOSE       |
| 251213 | INJECTOR S/S FOR DETERGENT IN  |
| 260408 | S/S NUTS D.12                  |
| 620242 | DETERGENT INJECTOR (KIT)       |