

PARTI DI RICAMBIO
PIECES DETACHEES
SPARE PARTS
ERSATZTEILE
LISTA DE RECAMBIOS

FC 53

10/94

FC 54

10/94

FC 533

01/96

FC 543

10/94

FC 544

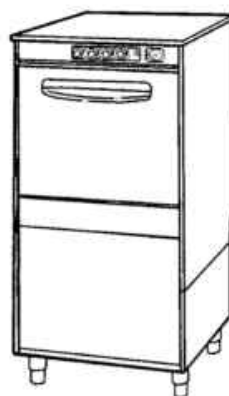
10/94

FC HR ...

10/94

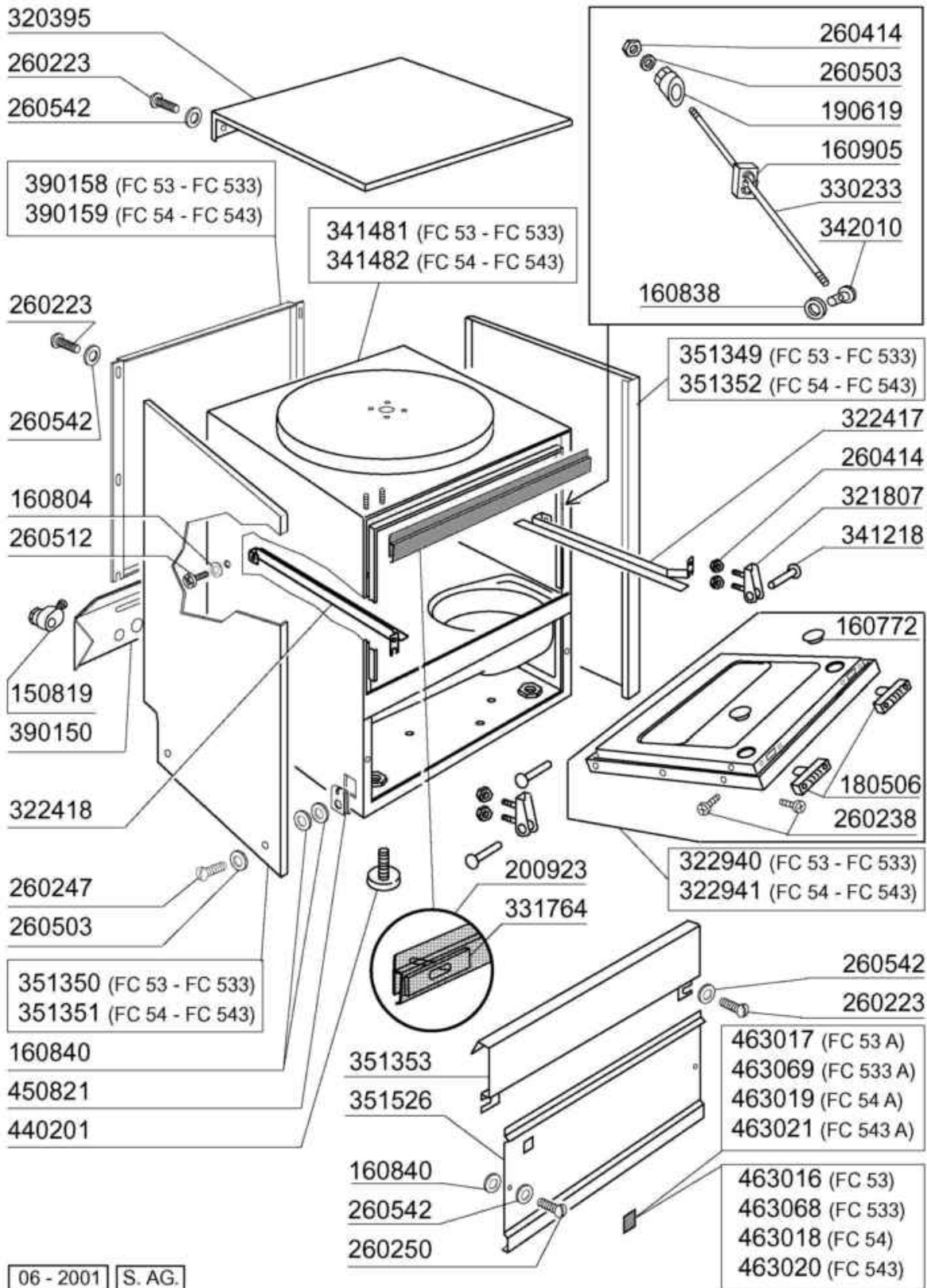
FC ... / A

10/94



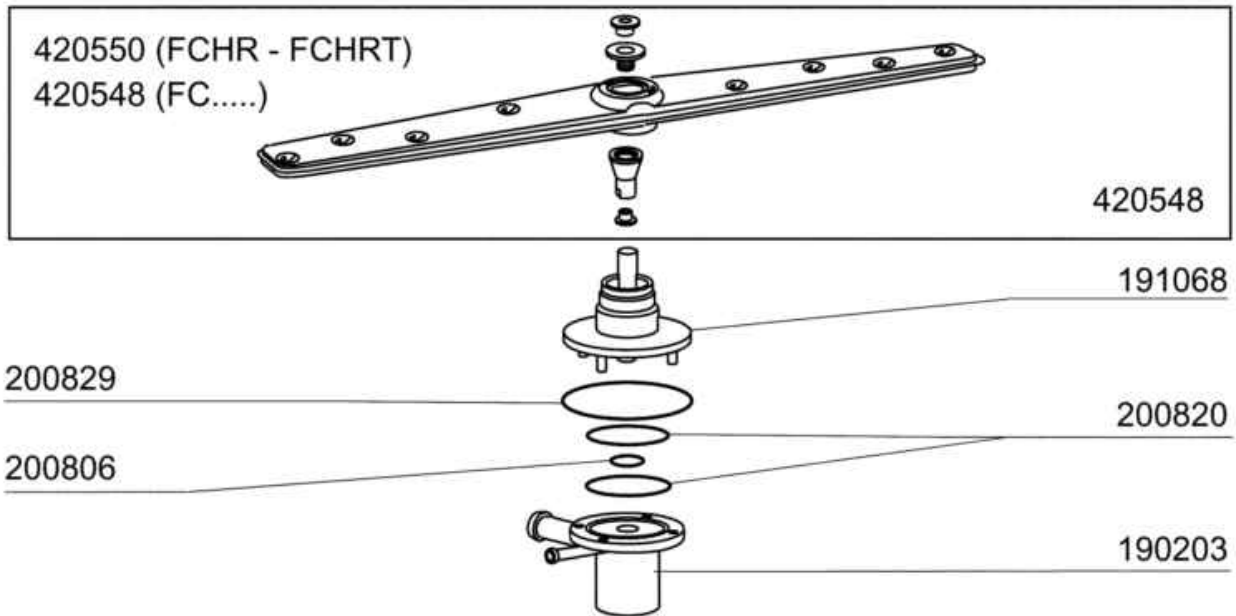
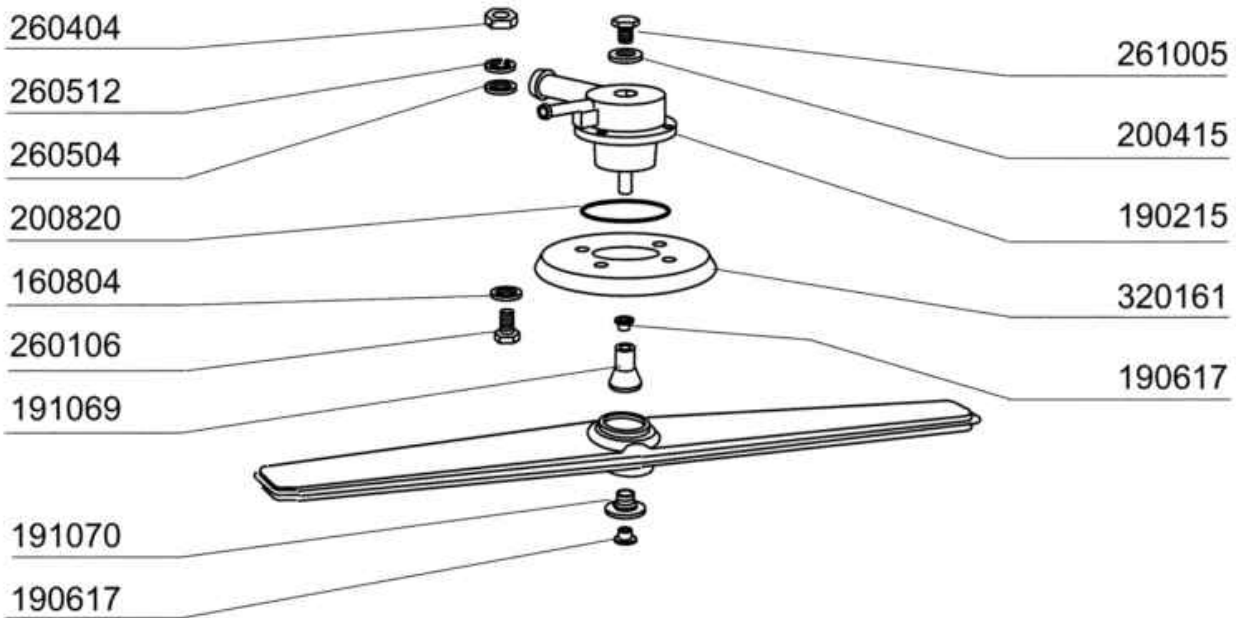
02 - 1999 S. AG.

- 1 Hood
- 2 Wash arm
- 3 Rinse arm
- 4 Tank
- 5 Wash
- 6 Water softener
- 7 Pump
- 8 Rinse aid injector
- 9 Control box 53 - 54
- 10 Control panel with electronic timer
- 11 Drain pump
- 12 Detergent dispenser



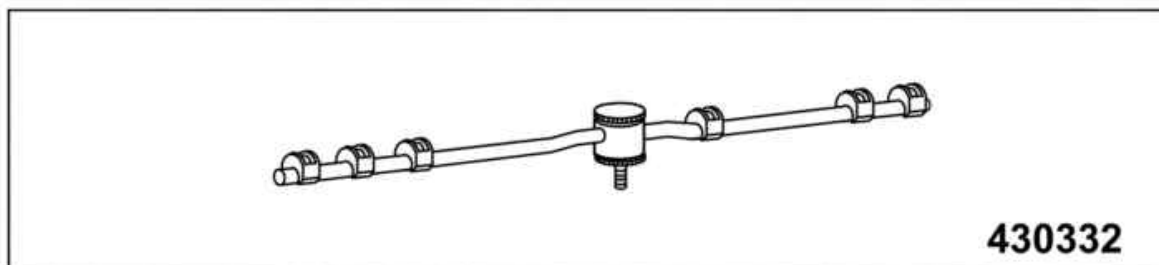
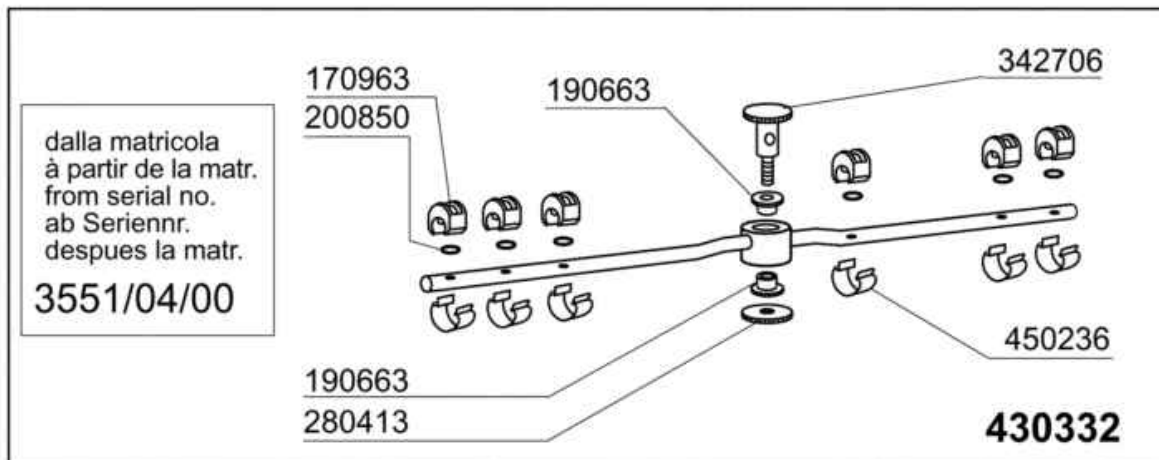
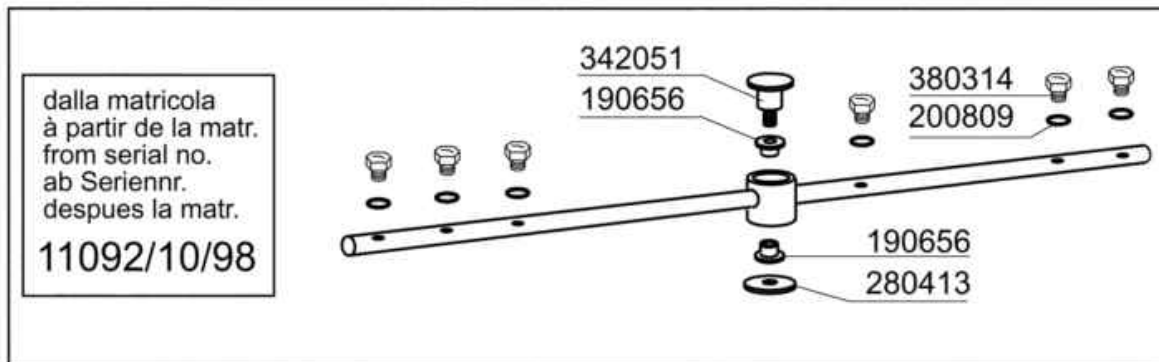
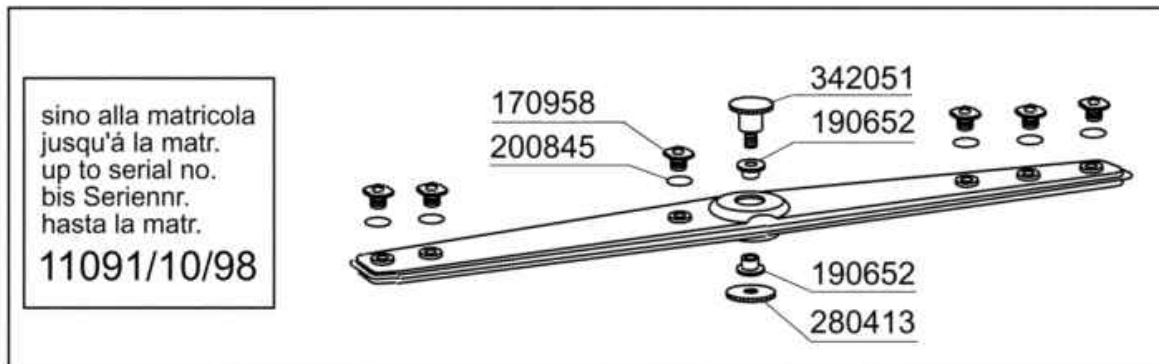
Code	Description	Price (€)
150819	CABLE HOLDER PG16 WITH HOLE	
160772	PLUG FOR DOOR (BR-BC-FC)	
160804	GASKET D.6	
160838	SLIDING WASHER TIE ROD FC	
160840	WASHER	
160905	SLIDING PLATE F. TIE ROD	
180506	DOOR CATCH BR-BC-FC	
190619	DOOR CATCH B-F-R	
200923	DOOR GASKET	
260223	M5X12 MSH/HD SCREW SPECIAL S/S	
260238	M4 X 10 MUSH/HD SCREW	
260247	SCREW TCB 5X16	
260250	SCREW TB 5X20	
260414	SELF-LOCKING NUT M5	
260503	STAINL.STEEL FLAT WASHER D5 UN	
260512	ST/ST GROWER WASHER D6	
260542	WASHER D.5	
320395	TOP PANEL FC	
321807	DOOR HINGE FC MACHINES	
322417	RIGHT GUIDE FC	
322418	LEFT GUIDE FC	
322940	DOOR FC53-FC53A	
322941	DOOR FC54-543-544-HR	
330233	FC DOOR TIE ROD	
331764	FIXING PLATE FOR B-F DOOR GASK	
341218	HINGE PIN B-F-G	
341481	HOOD FC53/53A	
341482	HOOD FC54-543-544-HR	
342010	PIN FOR TIE ROD DOOR FC	
351349	LATERAL PANEL FC53	
351350	LATERAL PANEL FC53	
351351	LEFT PANEL FC54-544-543-HR	
351352	RIGHT PANEL FC54-543-544-HR	
351353	FRONT PANEL FC	
351526	LOWER FRONT PANEL	
390150	LOWER BACK PANEL FC	
390158	BACK PANEL FC53A	
390159	BACK PANEL FC54A	
440201	RUBBER FOOT D.60X10	
450821	SPRING CLIP FASTENER SNU 3634	
463016	FC53 NAME	
463017	FC53A NAME	
463018	FC54 NAME	
463019	FC54A NAME	
463020	FC543 NAME	

Code	Description	Price ()
463021	FC543A NAME	
463068	FC533 NAME	
463069	FC533A NAME	

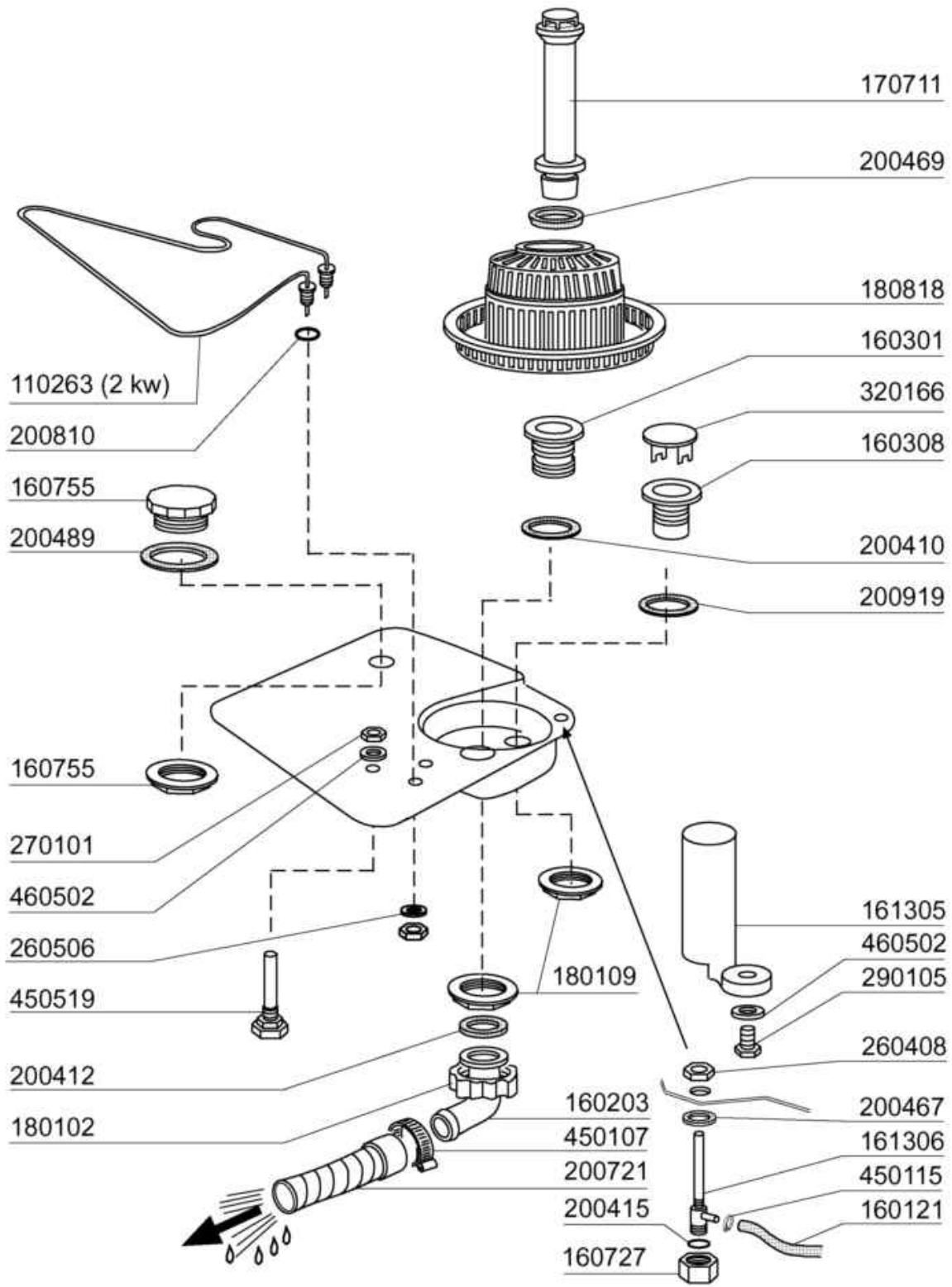


05 - 2000 S. AG.

Code	Description	Price ()
160804	GASKET D.6	
190203	LOWER TEE WASH-RINSE F2-45-55-	
190215	UPPER WASH/RINSE ARM SUPPORT F	
190617	BUSH	
191068	LOWER WASH ARM SUPPORT FC-MACH	
191069	WASH ARM CENTER (FC - MACHINES	
191070	LOCK NUT FOR WASH ARM CENTER (
200415	AIR TRAP GASKET -F2 18,5X10X3	
200806	O-RING 2,62X13,10X18,34	
200820	O-RING151 46,99X5,33X57,6	
200829	O-RING 81,92X92,58X5,33	
260106	SCREW TE 6X25	
260404	STAINLESS STEEL NUTS D6 UNI 55	
260504	ST/ST FLAT WASHER D6	
260512	ST/ST GROWER WASHER D6	
261005	SCREW F. TEE UP.WASH F2-B41	
320161	UPPER WASH ARM PROTECTION	
420548	FC WASH ARM (ST/ST)	
420550	WASH ARM FCHR - FCHRT	

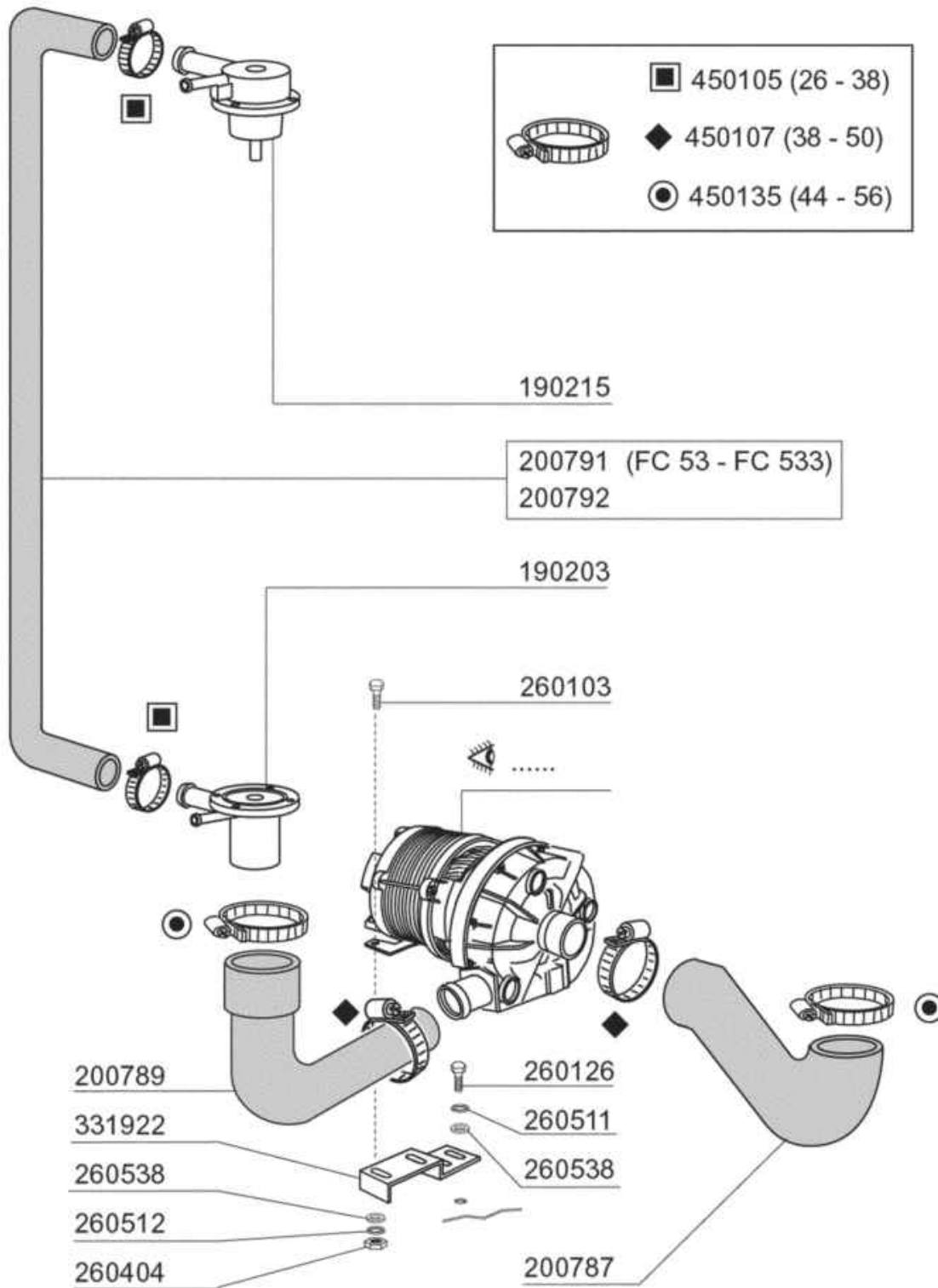


Code	Description	Price (€)
170958	RINSE JET FOR FC53-543	
170963	RINSE JET X FC	
190652	RINSE ARM BUSH FC	
190656	BUSH RINSE ARM FC	
190663	BUSH	
200809	OR GASKET 1,78X8,73X12,29	
200845	O RING 109 2,62X9,13X14,37	
200850	O-RING	
280413	RETAIN.LOCK NUT FOR FC RINSE A	
342051	RINSE ARM SUPPORT FC	
342706	SHAFT	
380314	RINSE JETS 801/HR	
430332	RINSE ARM FC 01/00	
450236	SPRING FOR WASHER 170963	



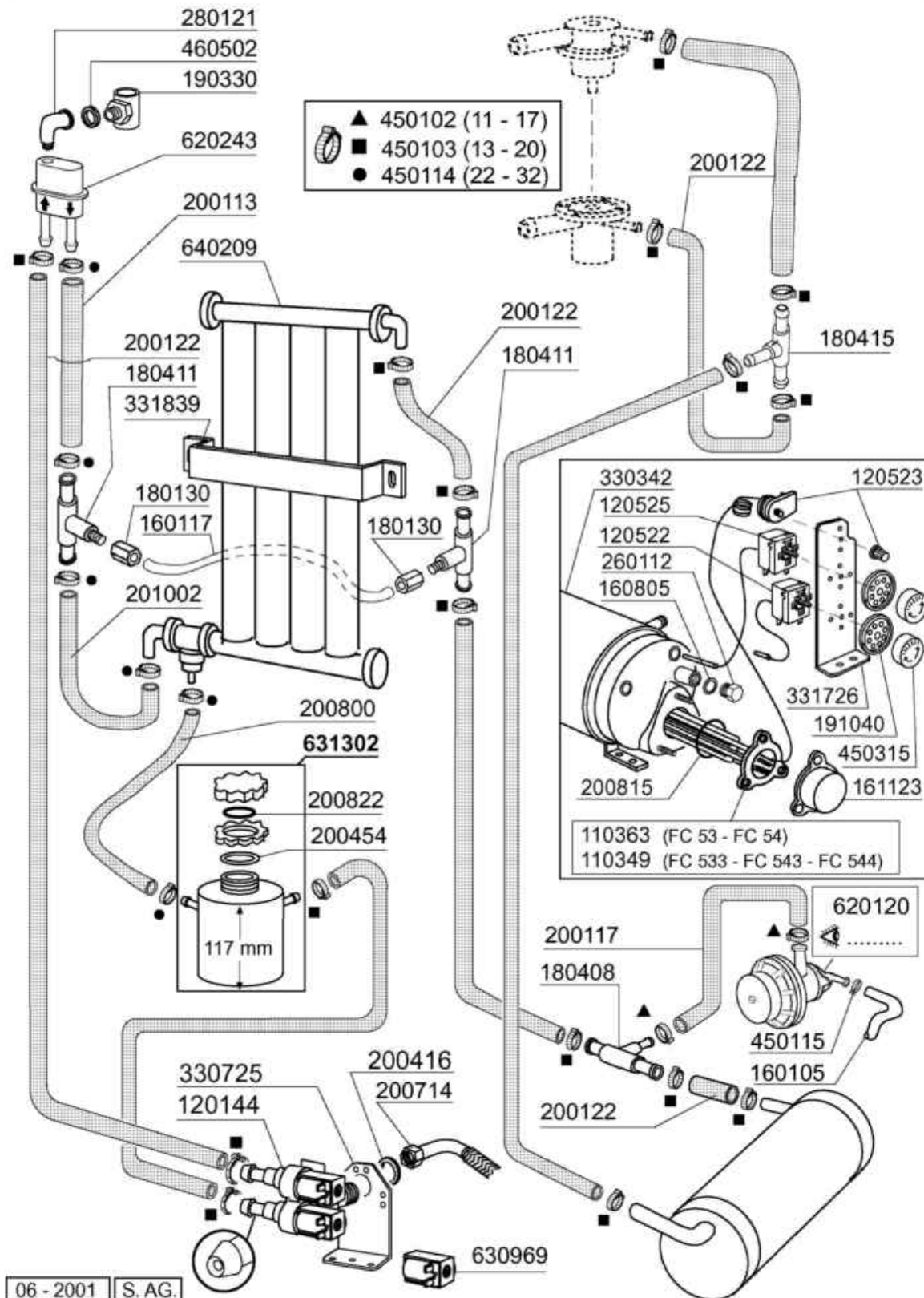
05 - 2002 [S. AG.]

Code	Description	Price ()
110263	TANK HEATER 2000W 230V	
160121	HOSE EPDM D. 5 X 9	
160203	ELBOW 1"1/2 N-S-F-C /DRAIN	
160301	DRAIN OUTLET 1"1/2 C-S-N	
160308	PUMP INLET HOSE FC	
160727	PLUG 1/2 NTP CAP	
160755	PLUG FOR MACHINES WITHOUT SOFT	
161305	AIR CHAMBER F45-F80	
161306	HOSE FOR AIR CHAMBER F45-80	
170711	OVERFLOW PIPE FC	
180102	DRAIN PIPE NUT 1"1/2 F45-55	
180109	LOCK NUT 1 1/2"	
180818	STRAINER FOR FC	
200410	DRAIN OUTL.WASH.1 1/2"65X47X2	
200412	GASKET DRAIN 1 1/2" 45X33X3	
200415	AIR TRAP GASKET -F2 18,5X10X3	
200467	DUTRAL GASKET F. AIR TRAP	
200469	STAND PIPE O RING 45X35,5X7	
200489	GASKET 81X68X3	
200721	DRAIN HOSE 28X35 3MT.	
200810	O-RING 2,62X9,92X15,6 F.GLASSW	
200919	GASKET FOR SUCTION BASIN FC	
260408	S/S NUTS D.12	
260506	STAINL.STEEL FLAT WASHER D10	
270101	HEXAGON LOCK NUT 1/2"	
290105	BRASS-TE-PLUG 1/2"	
320166	VORTEX BREAKER FOR FC MACHINES	
450107	CLAMP FE ZN 38-50 H=12,2	
450115	ELASTIC CLAMP D.8,3/7,8	
450519	TANK THERMOSTAT SHIELD C-F	
460502	GASKET 30X21X2	

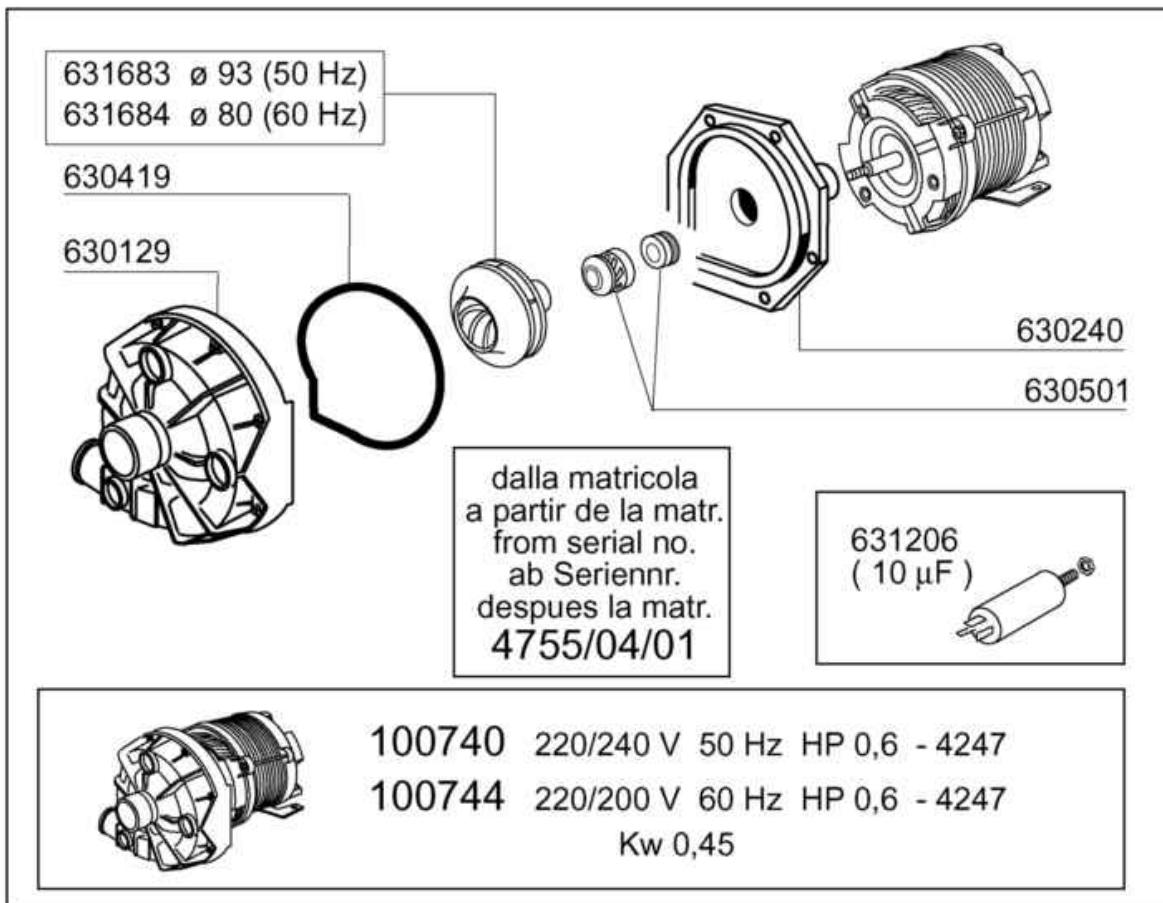
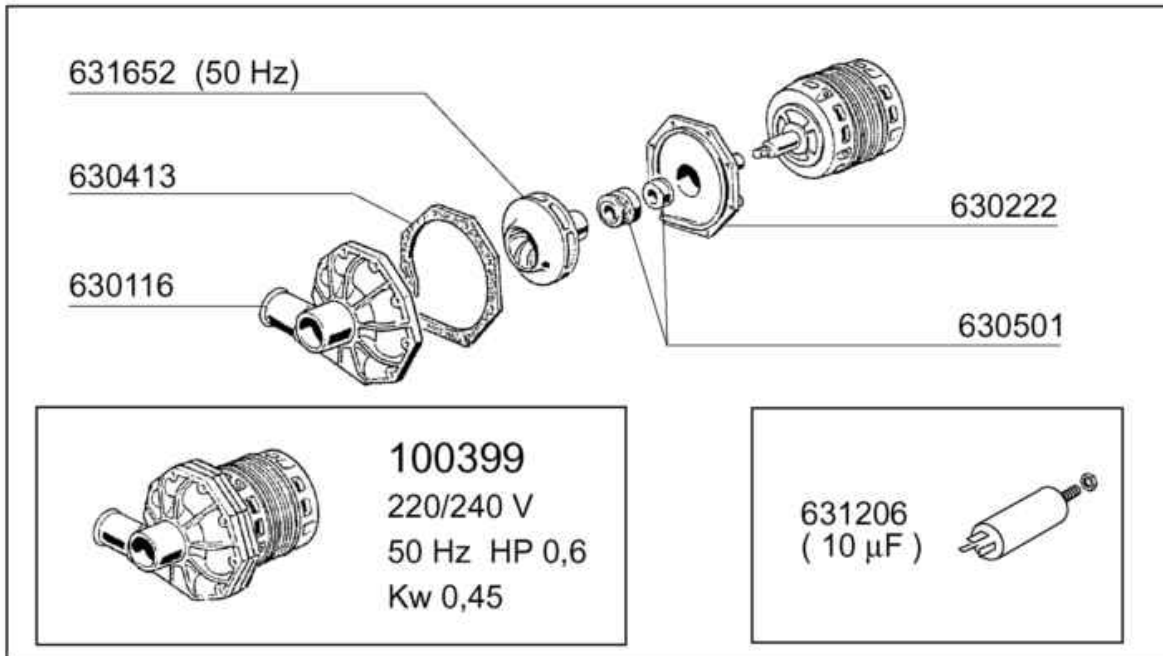


05 - 2001 S. AG.

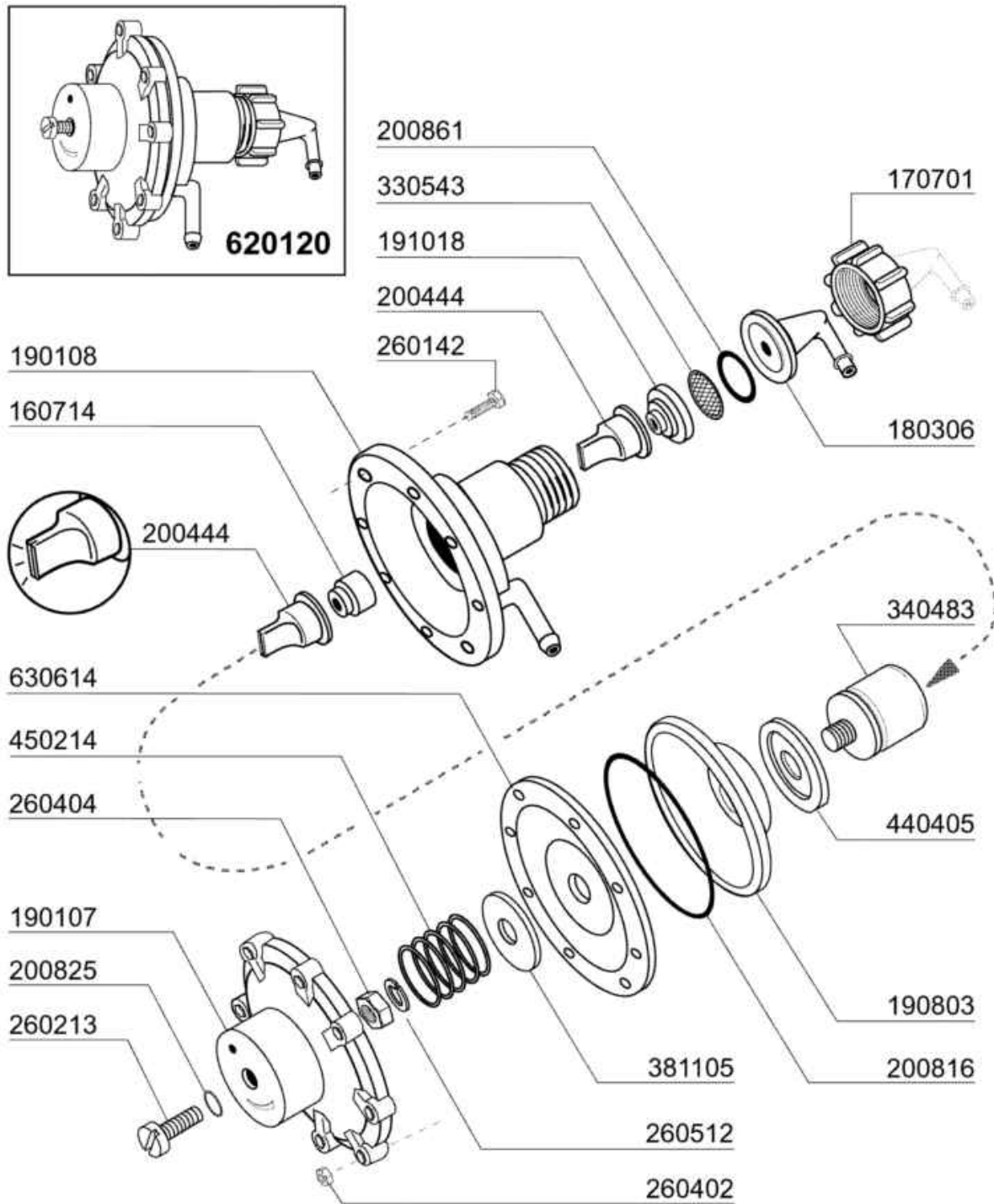
Code	Description	Price ()
190203	LOWER TEE WASH-RINSE F2-45-55-	
190215	UPPER WASH/RINSE ARM SUPPORT F	
200787	INLET HOSE FC53-FC544-FCHR	
200789	OUTLET HOSE FC	
200791	UPPER/LOWER WASH HOSE FC53	
200792	HOSE FOR UPPER/LOWER WASH FC54	
260103	SCREW TE 6X12	
260126	SCREW TE 5X12	
260404	STAINLESS STEEL NUTS D6 UNI 55	
260511	GROWER WASHER D.5	
260512	ST/ST GROWER WASHER D6	
260538	WASHER 18X6X1,5 ST/ST	
331922	BRACKET F. PUMP "F"	
450105	CLAMP FE ZN. 26-38 H=12,2	
450107	CLAMP FE ZN 38-50 H=12,2	
450135	CLAMP FE ZN. 44-56 H=12,2	



Code	Description	Price ()
110349	HEAT.ELEMENT 6000W 230/400V	
110363	HEATING ELEMENT 3000W 230V	
120144	SOLENOID VALVE FCA 20 LT TYPE	
120522	TANK THERMOSTAT 90?	
120523	SAFETY THERMOSTAT 110?	
120525	BOOSTER THERMOSTAT 2 TEMPERAT.	
160105	INJECT.INLET HOSE D.6X4	
160117	HOSE 6,3X1,1 WITHE	
160805	GASKET D.8	
161123	HEAT.ELEMENT COVER H42 SNL	
180130	CONNECTION NUT FOR BY PASS (1/	
180408	TEE-NIPPLE F.INJECT.W/CENTR.RE	
180411	TEE-NIPPLE FOR BY PASS "BTM"	
180415	TEE NIPPLE DOUBLE "T"	
190330	TEE FOR VAACUM BREAKER	
191040	FRAME F.THERMOSTAT KNOB	
200113	RUBBER HOSE 12 X 22	
200117	RUBBER HOSE 7X16	
200122	HOSE 11X19	
200416	GASKET D. 3/4"	
200454	GASKET F. SALT CONT.	
200714	GLASSWASHER INLET HOSE	
200800	HOSE FOR SALT CONTAINER	
200815	O-RING F. HEAT. ELEM.	
200822	PLUG GASKET OF SALT CONTAINER	
201002	HOSE	
260112	STAINLESS STEEL TE-SCREW 8X16	
280121	ELL FOR VAACUM BREAKER	
330342	BOILER C1000/1300-FC-LC	
330725	STANDARD BRACKET F.SOLEN.VALV	
331726	BRACKET FOR 3 THERMOSTATS	
331839	BRACKET FOR WATER SOFTENER	
450102	CLAMP FE ZN 11-17 H=9	
450103	CLAMP FE ZN. 13-20 H=9	
450114	CLAMP FE ZN.22-32 H=12,2	
450115	ELASTIC CLAMP D.8,3/7,8	
450315	KNOB F. THERMOSTAT 90?	
460502	GASKET 30X21X2	
620120	RINSE AID INJECTOR	
620243	VACUUM BREAKER (WITHOUT KIT)	
630969	COIL S4216 220/50HZ	
631302	SALT CONTAINER	
640209	WATER SOFTENER (4 COLUMNS)	

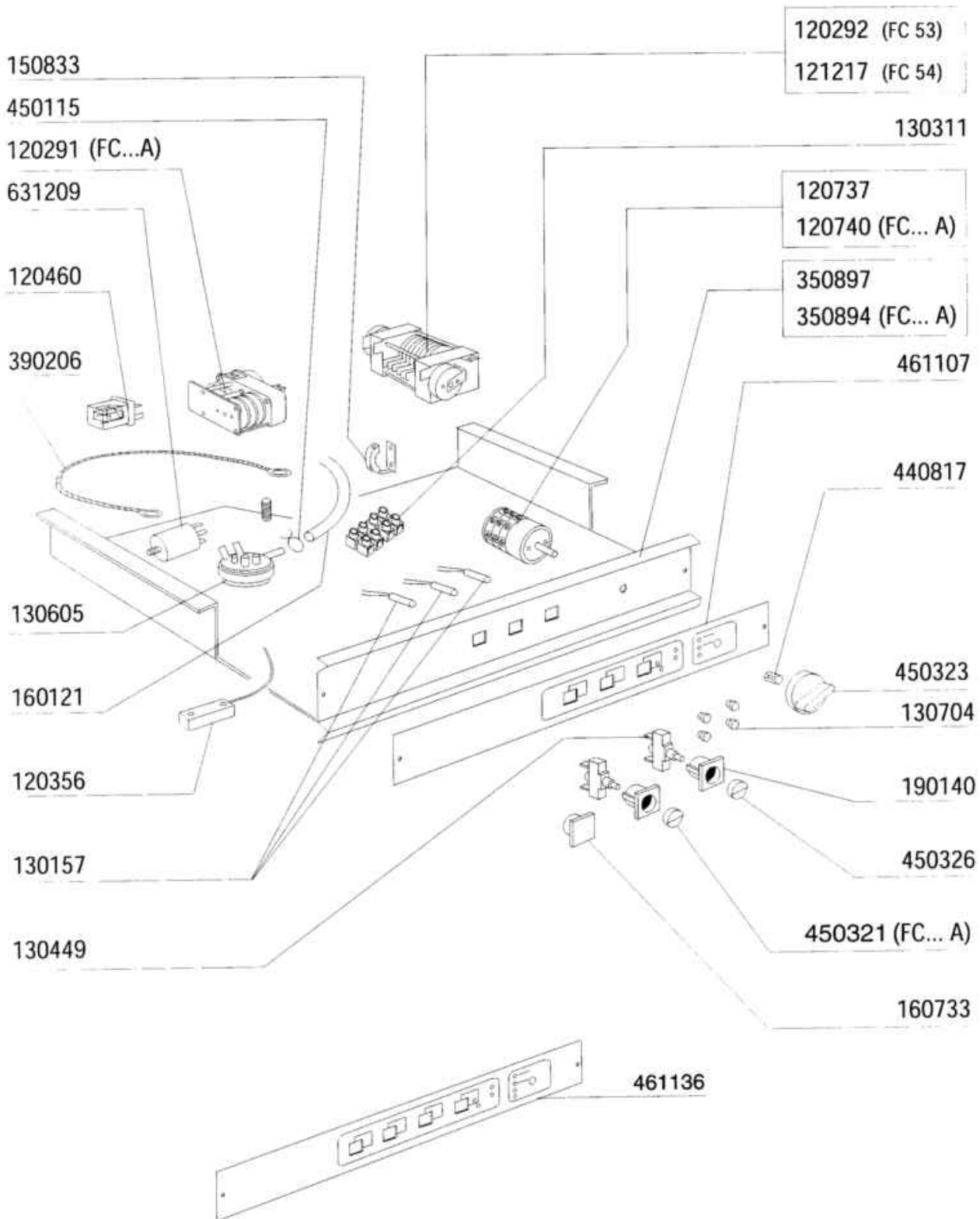


Code	Description	Price ()
100399	PUMP HPO,6 220-50HZ (100740)	
100740	PUMP 0,6HP 220/240V 4247	
100744	PUMP HP 0,6 200-220-60HZ	
630116	-NO MORE AVAILABLE	
630129	VOLUTE PUMP 0,5HP 2247	
630222	COVER PUMP IB HP 0,4	
630240	PUMP FLANGE 0,6HP-4247 FIR	
630413	-NO MORE AVAILABLE	
630419	PUMP GASKET 2247 0,5HP	
630501	SEAL FOR PUMP HP 2-3-3,2	
631206	CONDENSER 10MF. 450V 85C	
631652	-NO MORE AVAILABLE	
631683	PUMP IMPELLER 50HZ FIR 4247	
631684	IMPELLER FOR PUMP 60 HZ	



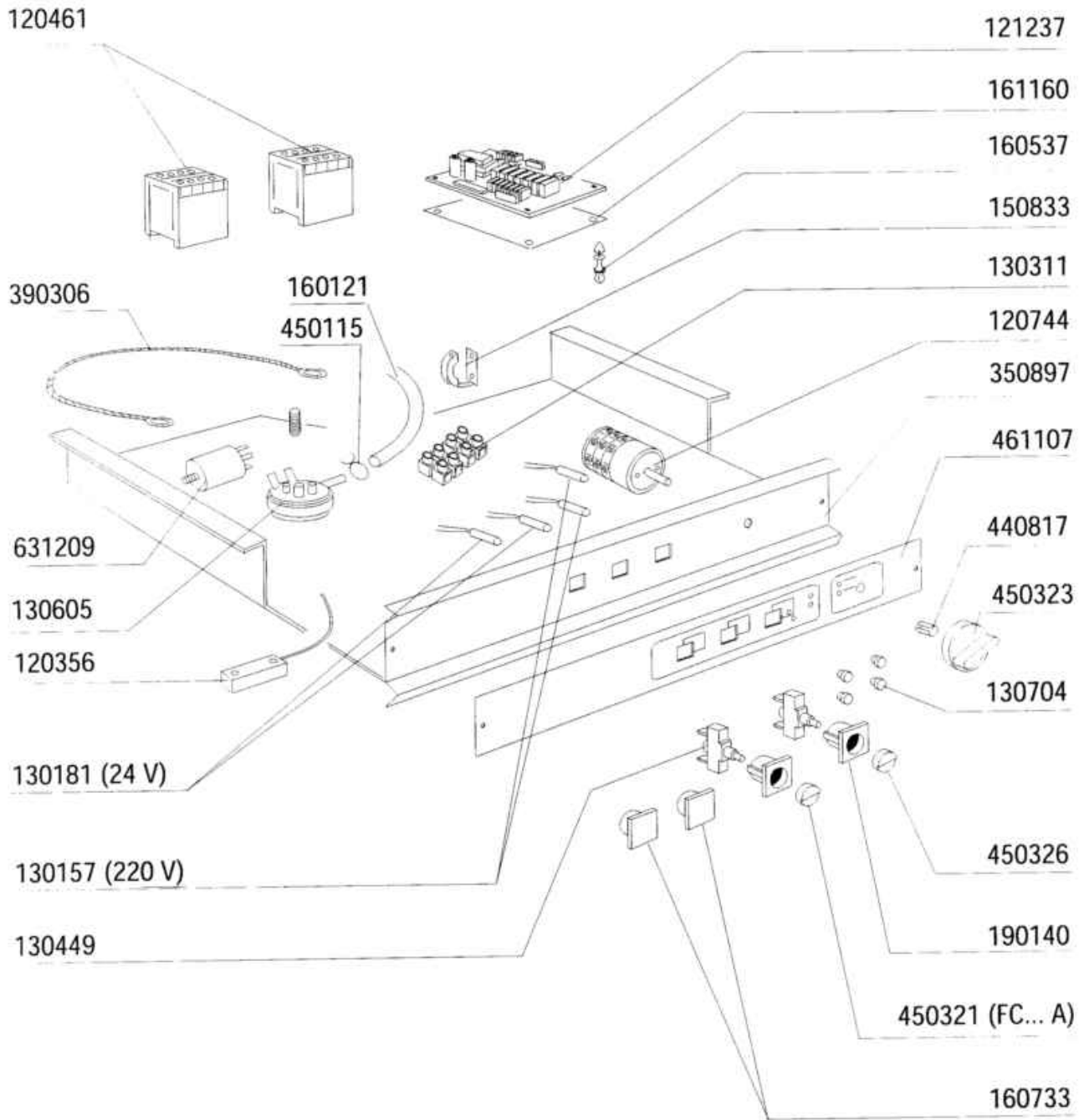
02 - 2004 | S. AG.

Code	Description	Price ()
160714	PLUG FOR RINSE AID INJECTOR MO	
170701	LOCK NUT 1/2" F.INJECTOR	
180306	NIPPLE F.RINSE AID INJECTOR	
190107	COVER FOR RINSE AID DISPENSER	
190108	VOLUTE FOR RINSE AID DISPENSER	
190803	GASKET SUPPORT RING F.INJECT	
191018	FILTER SUPPORT RINSE AID INJEC	
200444	SUCTION VALVE RINSE INJECTOR	
200816	O-RING 2,5X59,2X64,2 RINSE INJ	
200825	O-RING 3X5X11 RINSE INJECTOR	
200861	O-RING 14X18X2	
260142	SCREW TE 4X16	
260213	SCREW TCP 5X25	
260402	STAINLESS STEEL NUT D4 UNI 55	
260404	STAINLESS STEEL NUTS D6 UNI 55	
260512	ST/ST GROWER WASHER D6	
330543	FILTER RINSE AID INJECTOR D.17	
340483	PISTON FOR RINSE AID DISPENSER	
381105	DIAPHRAGME DISC	
440405	GASKET FOR RINSE AID INJ.	
450214	SPRING RINSE AID INJECTOR	
620120	RINSE AID INJECTOR	
630614	DIAPHRAGM RINSE INJECTOR	

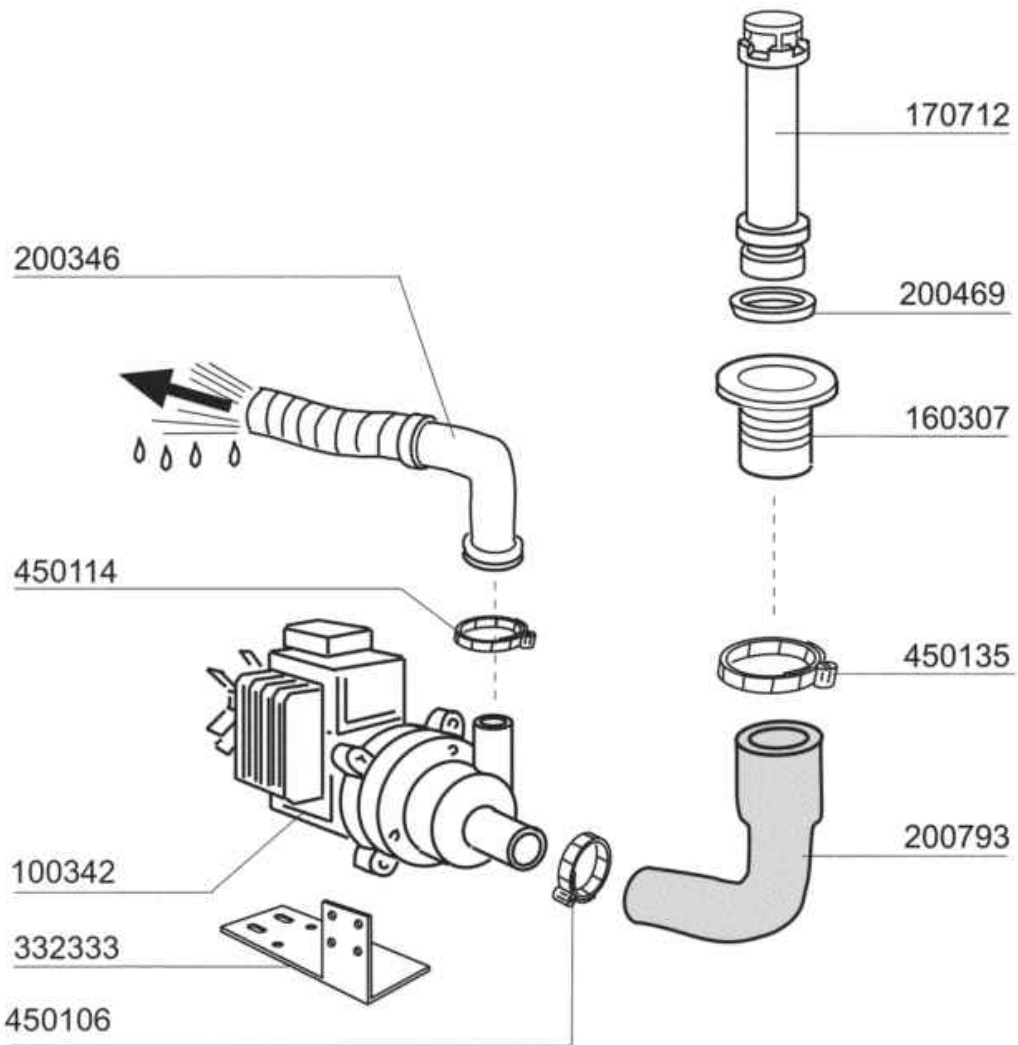
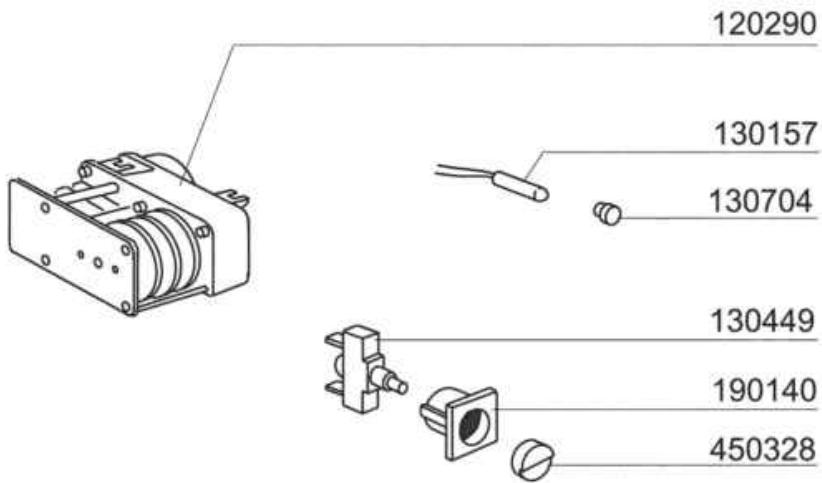


02 - 1999 | S. AG 01

Code	Description	Price (€)
120291	REGENERATION TIMER 20'	
120292	TIMER 90/180"	
120356	DOOR MAGN.SWITCH	
120460	RELAY 16A 220V	
120737	4 POLE SWITCH 16A 3 POSITIONS	
120740	6 POLE MAIN SWITCH 15A-4 POS.	
121217	TIMER 120"-180"	
130157	GREEN LED FOR BR-BC-C-SERIES -	
130311	TERMINAL BLOCK	
130449	PUSH BUTTON BR-BC-FC	
130605	PRESSURE SWITCH 50-30 1 LEVEL	
130704	GREEN COLOUR.IND.LAMP COVER	
150833	CABLE HOLDER BC/BR	
160121	HOSE EPDM D. 5 X 9	
160733	BLANK PLATES	
190140	BUTTON HOLDER BR-BC-FC	
350894	PANEL SUPPORT FC-A	
350897	SUPPORT FOR CONTROL PANEL FC	
390206		
440817	SNAP RING LSCB/1853/17/00	
450115	ELASTIC CLAMP D.8,3/7,8	
450321	GREY COVER FOR PUSH BUTTON BR-	
450323	KNOB FOR BC-BR-C95-C155	
450326	PUSH BUTTON "CYCLE" GREEN	
461107	PLATE FC53-54-543-544	
461136	PLATE FC-A	
631209	ANTI-NOISE FILTER	



Code	Description	Price (€)
120356	DOOR MAGN.SWITCH	
120461	CONTACTOR ABB B6-30-01 220V	
120744	SWITCH QUADRIPOL.16A 380V	
121237	ELECTRONIC PCB (FC WITH SOFT.)	
130157	GREEN LED FOR BR-BC-C-SERIES -	
130181	GREEN LAMP 24V	
130311	TERMINAL BLOCK	
130449	PUSH BUTTON BR-BC-FC	
130605	PRESSURE SWITCH 50-30 1 LEVEL	
130704	GREEN COLOUR.IND.LAMP COVER	
150833	CABLE HOLDER BC/BR	
160121	HOSE EPDM D. 5 X 9	
160537	ELECTRONIC CARD SPACER	
160733	BLANK PLATES	
161160	PROTECTION ELECT.CARD C/F	
190140	BUTTON HOLDER BR-BC-FC	
350897	SUPPORT FOR CONTROL PANEL FC	
390306	CABLE	
440817	SNAP RING LSCB/1853/17/00	
450115	ELASTIC CLAMP D.8,3/7,8	
450321	GREY COVER FOR PUSH BUTTON BR-	
450323	KNOB FOR BC-BR-C95-C155	
450326	PUSH BUTTON "CYCLE" GREEN	
461107	PLATE FC53-54-543-544	
631209	ANTI-NOISE FILTER	



05 - 2001 S. AG.

Code	Description	Price ()
100342	DRAIN PUMP 100 W 220V	
120290	TIMER FOR DRAIN PUMP	
130157	GREEN LED FOR BR-BC-C-SERIES -	
130449	PUSH BUTTON BR-BC-FC	
130704	GREEN COLOUR.IND.LAMP COVER	
160307	DRAIN OUTLET FC	
170712	OVERFLOW PIPE FOR DRAIN PUMP	
190140	BUTTON HOLDER BR-BC-FC	
200346	DRAIN HOSE GLASSWASHER	
200469	STAND PIPE O RING 45X35,5X7	
200793	DRAIN PUMP INLET HOSE FC	
332333	BRACKET FOR DRAIN PUMP	
450106	CLAMP FE ZN 32-44 H=12,2	
450114	CLAMP FE ZN.22-32 H=12,2	
450135	CLAMP FE ZN. 44-56 H=12,2	
450328	DRAIN SWITCH	

620242

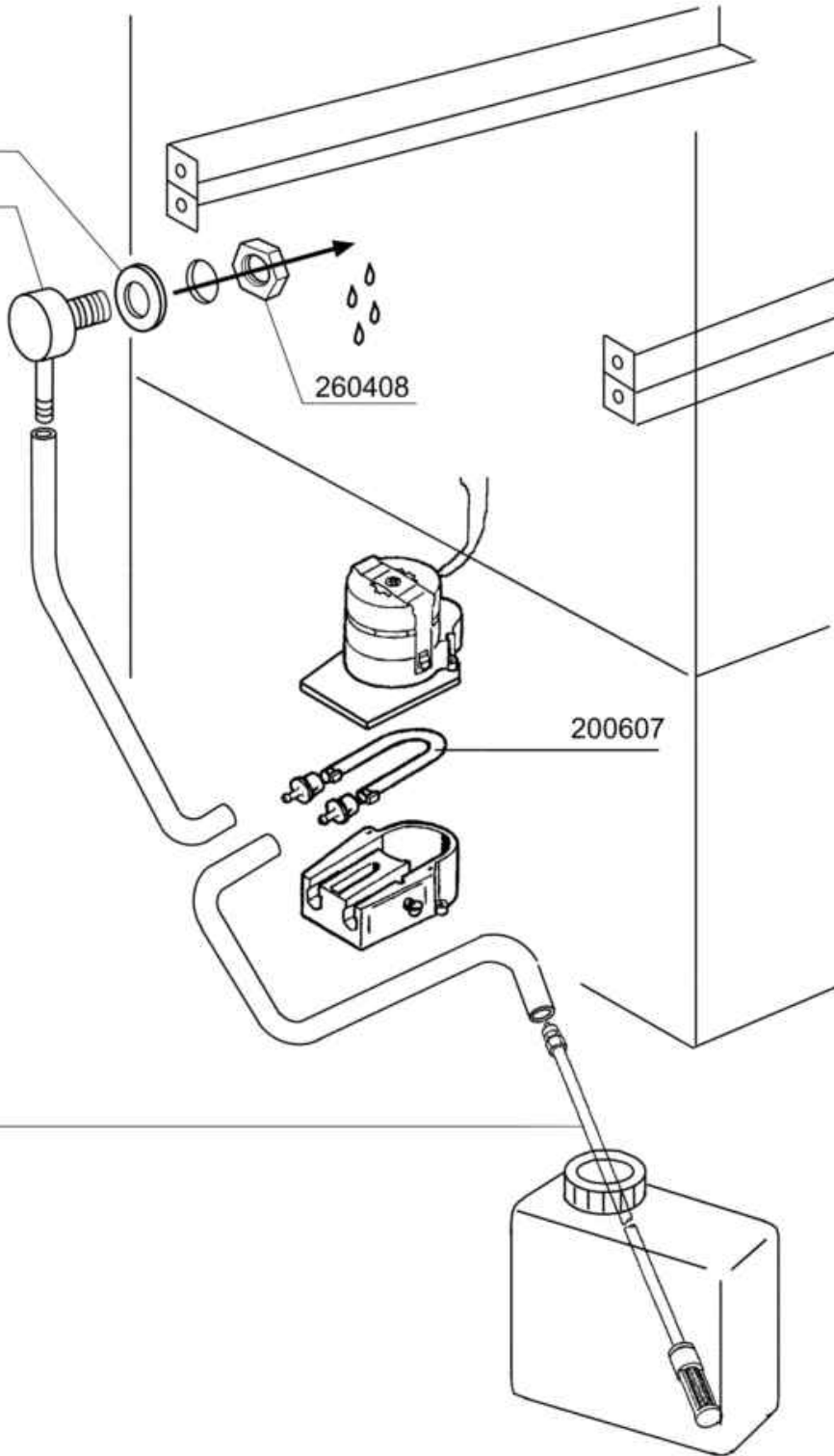
200467

251213

260408

200607

180719



10 - 2000 S. AG.

Code	Description	Price ()
180719	DETERGENT DISPENSER SUCTION HO	
200467	DUTRAL GASKET F. AIR TRAP	
200607	DETERGENT DISPENSER HOSE	
251213	INJECTOR S/S FOR DETERGENT IN	
260408	S/S NUTS D.12	
620242	DETERGENT INJECTOR (KIT)	