

# COLGED

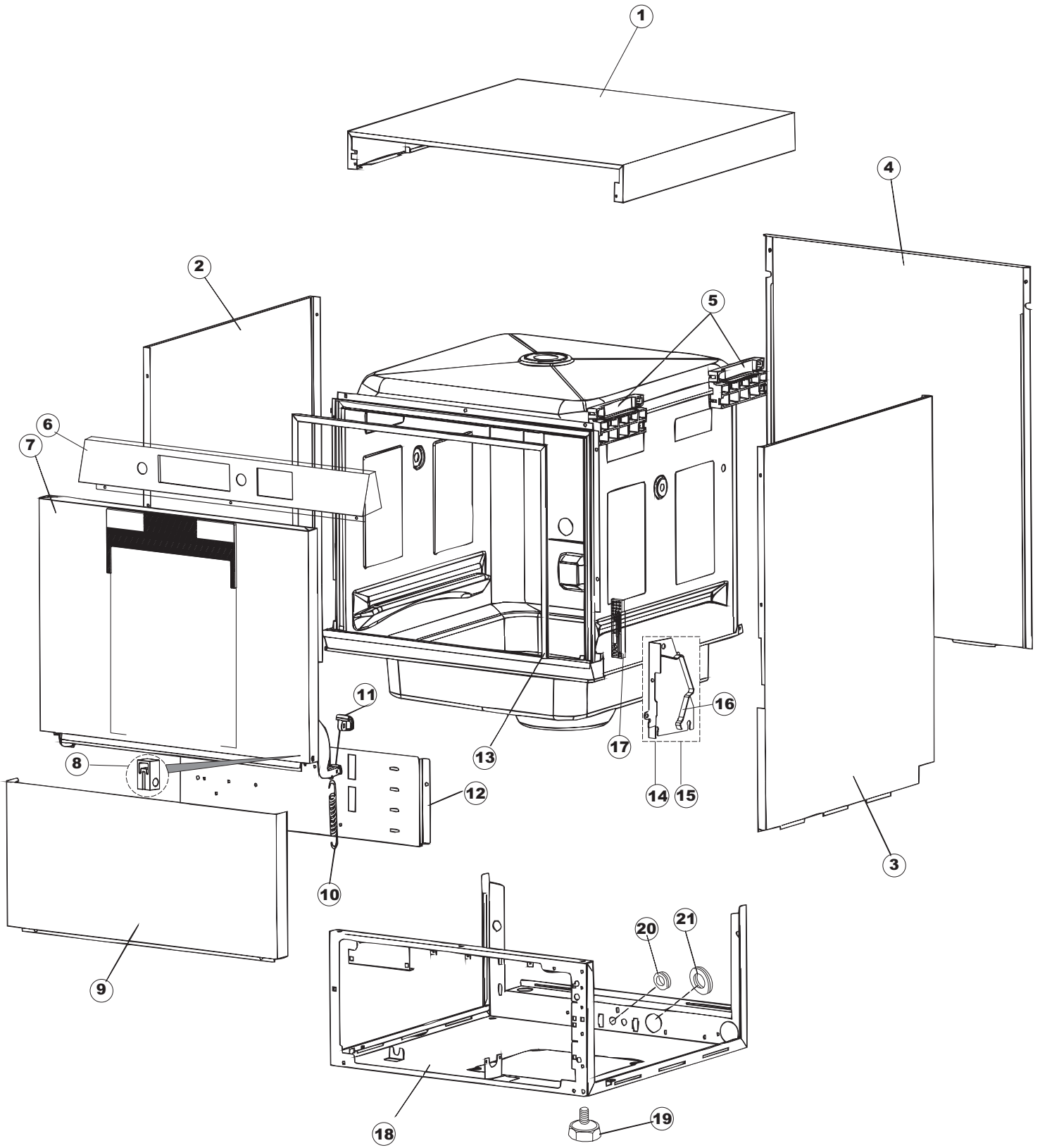
**SPARE PARTS CATALOGUE  
ERSATZTEILKATALOG  
CATALOGUE PIECES DETACHEES  
CATALOGO PARTI RICAMBIO  
CATALOGO DE PIEZAS DE RECAMBIO  
CATALOGO PEÇAS DE REPOSIÇÃO**

**Toptech-620**

**Toptech-620CLS**

**24-11-2010**

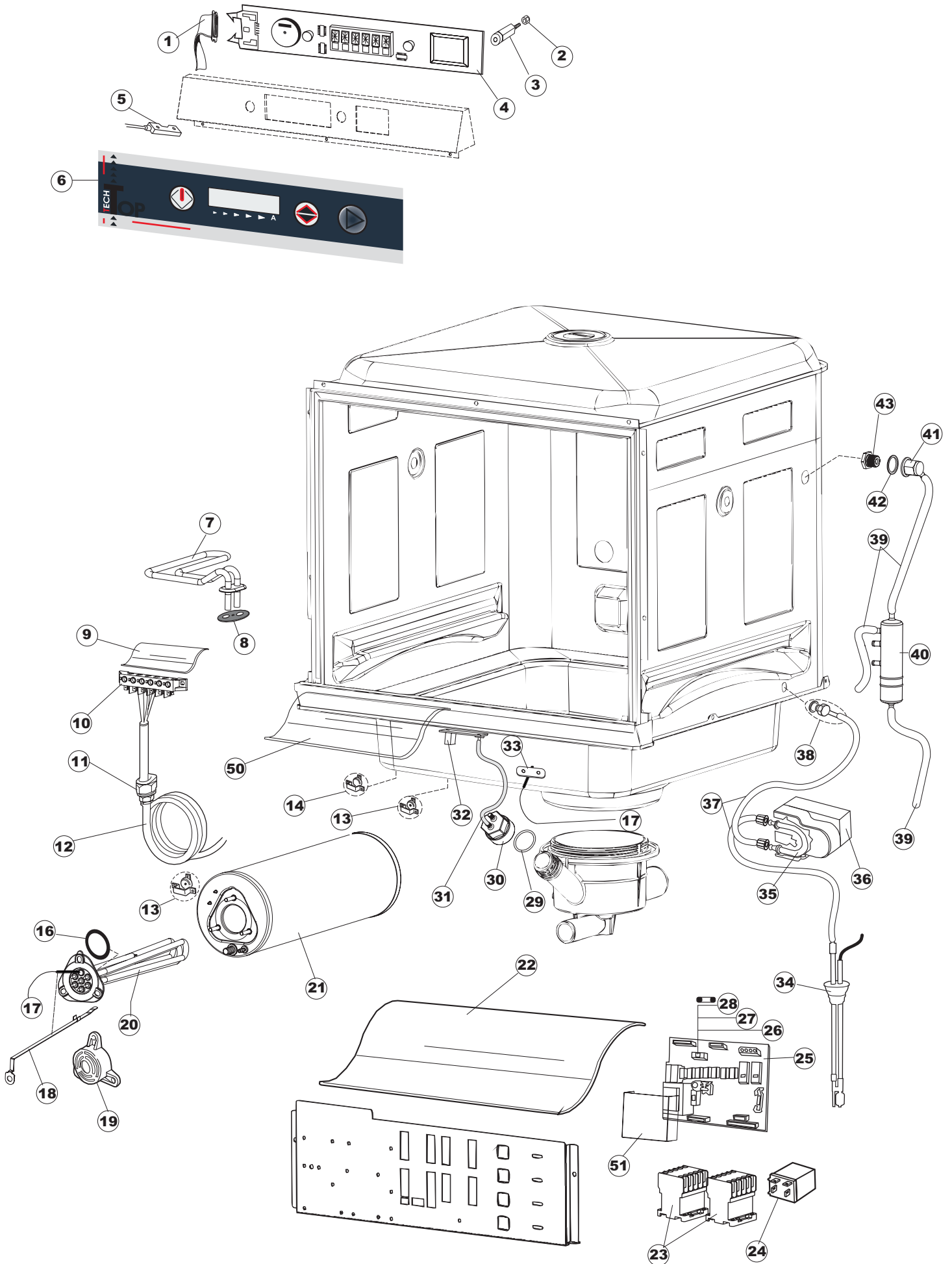
# 1



# Pagina 1

1	004175	CAPPELLO LA50 COVER LA50 GEHAEUSEOBERTEIL LA50 CAPOT SUPERIEUR LA50 CAPERUZA LA50	
2	021116	FIANCO SX. SIDE PANEL LEFT SEITENWAND LINKS FLASQUE LATERALE GAUCHE LA50 LATERAL IZQDA. LA50	
3	021115	FIANCO DX.LA50 SIDE PANEL RIGHT SEITENWAND RECHTS.LA50 FLASQUE LATERALE DROITE LA50 LATERAL DCHA. LA50	
4	022146	PANNELLO POSTERIORE LA50 REAR PANEL LA50 RUECKWAND LA50 PANNEAU ARRIERE PANEL TRASERO LA50	
5	035083	STAFFA FISSA FIANCHI-CAPPELLO LA50 BRACKET LA50 BUEGEL LA50 ÉTRIER LA50 SOPORTE FIJO LATERALES-CAPERUZA LA50	
6	025929	PANNELLO COMANDI INOX PRO-TECH (LA50) CONTROL PANEL PRO-TECH (LA50) BEDIENFELD PRO-TECH (LA50) PANNEAU DE COMMANDES PRO-TECH (LA50) PANEL DE MANDOS INOX PRO-TECH(LA50)	
7	029554	PORTA LA50(COLGED)CPL. COMPLETE DOOR LA50(COLGED)CPL. TUER KOMPLETT LA50(COLGED)CPL. PORTE COMPLETE LA50(COLGED)CPL. PUERTA LA50(COLGED)CPL.	
8	310013	BLOCCHETTO CENTRAGGIO CERN-PERNO LA50 HINGE-PIVOT CENTERING BLOCK LA50 ZENTRIERBLOCK SCHARN-BOLZEN LA50 BLOC DE CENTRAGE CHARN-AXE LA50 BLOQUE CENTRADO BISAGRA-PERNO LA50	
9	012318	FRONTALINO LA50 FRONT PANEL LA50 FRONTBLENDE LA50 PANNEAU AVANT LA50 PANEL FRONTAL LA50	
10	449063	MOLLA BILANCIAMENTO PORTA LA50 SPRING FEDER RESSORT MUELLE EQUILIBRADO PUERTA LA50(NUEVA)	
11	307014	BATTUTA X MOLLA BILANC.E CHIUSURA STOP FOR BALANCE AND CLOSING SPRING ANSCHLAG X AUSGL. UND SCHLISSFEDER BUTÉE P/RESSORT ÉQUIL.ET FERMETURE TOPE X MUELLE EQUILIB. Y CIERRE	
12	035081	STAFFA COMP.ELETTRICI LA50 BRACKET BEF.WINKEL EQUERRE SOPORTE COMP.ELECTRICOS LA50	
13	437103	GUARNIZIONE PORTA DOOR GASKET TUERDICHTUNG JOINT PORTE JUNTA PUERTA LA50	
14	999259	GRUPPO STAFFA + MOLLA SAGOM. DX PORTA BRACKET + SPRING  GRUPO SOP.+MUELLE EQUILIBRADO PUERTA	
15	999260	GRUPPO STAFFA + MOLLA SAGOM. DX PORTA BRACKET + SPRING  GRUPO SOP.+MUELLE PERFIL. IZQDA. PUERTA LA50	

16	449058	MOLLA SAGOMATA APERTURA/CHIUS.PORTA LA50 SPRING FEDER RESSORT MUELLE PERFILADO APERT./CIERRE PUERTA LA50	
17	307015	BATTUTA ASTA PORTA LA50 DOOR ROD STOP LA50 BUEGELLAGER F. TUERSTANGE LA50 BUTÉE TIGE DE PORTE LA50 TOPE VARA PUERTA LA50	
18	040119	ZOCCOLO  BASE LA50 ENSAMBLADA (REPUESTO)	
19	461019	PIEDINO REGOLABILE D30 M8 FOOT, ADJUST. D30 M8 VERSTELLFUSS D30 M8 PIED REGLABLE D30 M8 PATA REGULABLE D30 M8	
20	459006	PASSACAVO Di9/De16 22 FAIRLEAD, Di9/De16 22 KABELDURCHGANG, Di9/De16 22 PASSE-CABLE Di9/De16 22 PASA-CABLE Di9/De16 22	
21	459004	PASSATUBO GOMMA DI.34 PIPEHOLDER, RUBBER DI.34 ROHRDURCHGANG, GUMMI DI.34 SUPPORT-TUYAU CAOUTCHOUC DI.34 PASA-TUBO GOMA DE. 34	



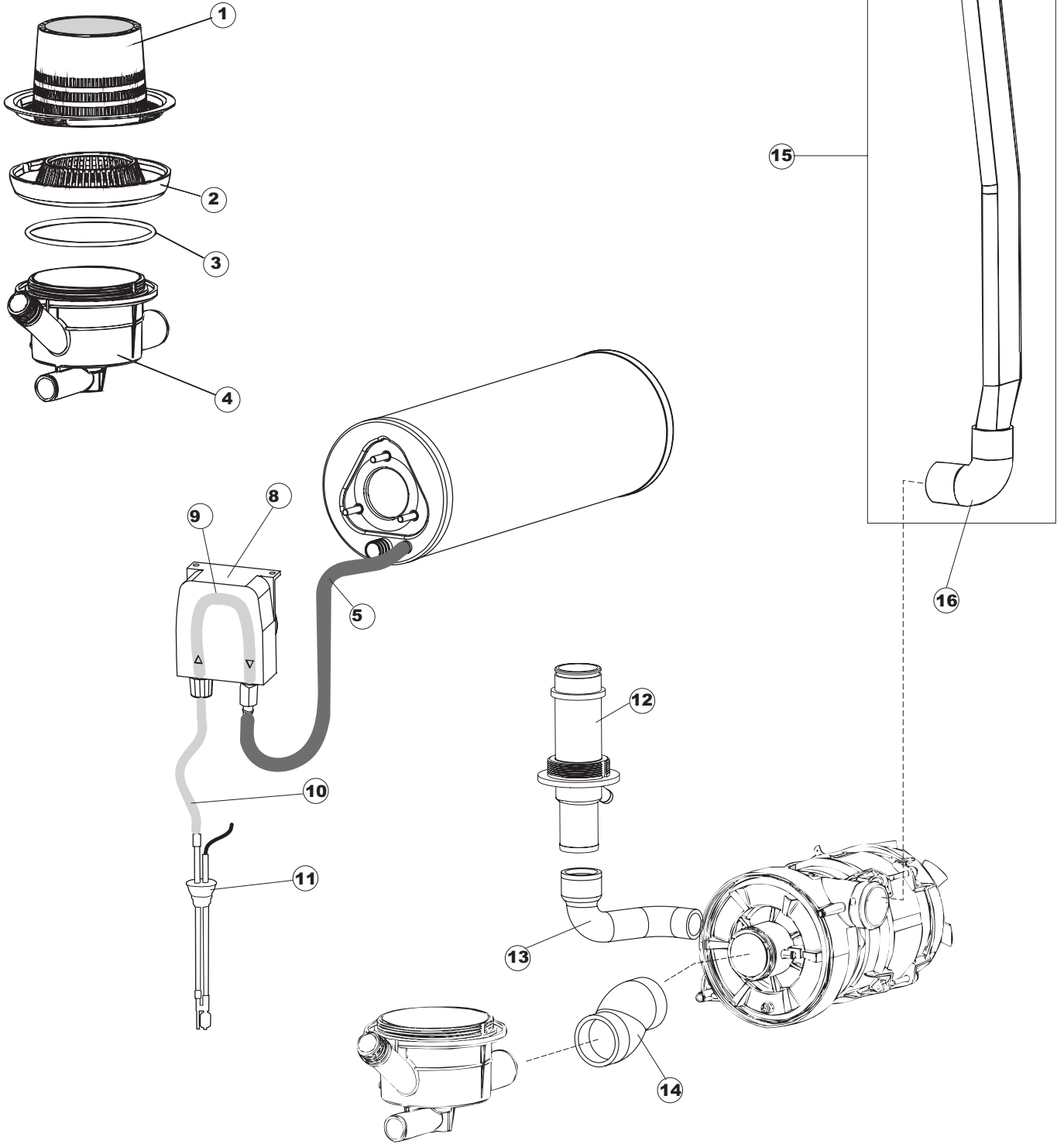
## Pagina 2

1	211013	CAVO FLAT 10 VIE X PULS.SOFT TOUCH GET 5 FLAT WIRE CABEL CABLE CABLE FLAT GET50 LA50	
2	417119	DADO M3 PLASTICA BIANCO NUT, M3 PLASTIC WHITE SCHRAUBENMUTTER, M3 KUNST. WEISS ECROU M3 PLASTIQUE BLANC TUERCA M3 PLASTICO BLANCO	
3	419036	SPACER SPACER, M3 ABSTANDSSTÜCK, M3 ENTRETOISE M3 DISTANCIADOR M3	
4	227083	SCHEDA COMANDI BUTTON PAD TASTENFELD CLAVIER BOTONERA GET50 MICRO 644	
5	211002	CONT.MAGNETICO+CAVO 302N.Ocm25 CONTACT, MAGNETIC+CABLE 302N.Ocm25 KONTAKT, MAGNET.+KABEL 302N.Ocm25 CONT. MAGNETIQUE+CABLE 302N.Ocm25 CONT. MAGNETICO+CABLE 302N. Ocm25	
6	025937	POLIESTERE TOPTECH 620(LA50) POLYESTERE CONTROL PANEL TOPTECH 620 FRONTBLLENDE TOPTECH 620 PANNEAU AVANT TOPTECH 620 POLIESTER TOPTECH 620(LA50)	
7	230112	RESISTENZA V 1400W-230V - LA50  RESISTENCIA V.1400W-230V.LA50	
8	437086	GUARNIZIONE RESISTENZA VASCA GASKET, TANK RESISTANCE DICHTUNG, TANKWIDERSTAND JOINT RESISTANCE CUVE JUNTA RESISTENCIA CUBETA	
9	214088	PROTEZ.ELETTR.TRASP.CL.3 EL.PROTECTION,TRANSP.CL.3 EL.SCHUTZ,TRANSP.KL.3 PROTECT.ELECTR.TRANSP.CL.3 PROTECCION ELECTR. TRANSP. CL. 3	
10	220011	* MORSETTIERA 5.POLI + TERRA FV.122 * TERMINAL BOARD, 5-POLES + EARTH FV.122 * KLEMMENBRETT, 5-POLIG + ERDUNG FV.122 * PLAQUE A BORNE 5POLES + TERRE FV.122 * BORNERO 5. POLOS + TIERRA FV. 122	
11	459005	FISSACAVO STEAB art.5024 CABLE CLAMPS, STEAB art.5024 KABELKLIPPS, STEAB Art.5024 FIXE-CABLE STEAB art.5024 SUJETA-CABLE STEAB art. 5024	
12	H.374339-2	CAVO MACCHINA H07RN-F 5X2.5X3.0MT CABLE H07RN-F 5X2.5X3.0MT MASCHINE KABERL H07RN-F 5X2.5X3.0MT CABLE MACHINE H07RN-F 5X2.5X3.0MT * CABLE MAQUINA H07RN-F 5X2.5X3.0MT	
13	236047	TERM.CONTATTO VASCA/S.95ø+/-3ø THERM.,CONT. TANK/S.95ø+/-3ø THERM.,KONT. TANK/S.95ø+/-3ø THERM.CONTACT CUVE/S.95ø+/-3ø TERM.CONTACTO CUBETA/S.95°+/-3° SIC.	
14	236052	TERM.CONTATTO BOILER/L.90ø+/-3ø(2611576) THERM.,CONT. BOILER/L.90ø+/-3ø(2611576) THERM.,KONT. BOILER/L.90ø+/-3ø(2611576) THERM.CONTACT CHAUDIERE/L.90ø+/-3ø(2611576) TERM.CONTACTO CALENT./L.90°+/-3°(2611576)	
16	456002	OR 48x6,2 O-ring 48x6,2 O-Ring 48x6,2 OR 48x6,2 OR 48x6,2	

17	231016	SONDA TEMPERATURA TEMP. PROBE KUGEL SONDE SONDA TEMPERATURA (AMPOLLA ACERO)	
18	69871	PORTASONDA PROBE HOLDER SONDENHALTER PORTE-SONDE PORTASONDA	
19	69870	PROTEZIONE RESISTENZA BOILER BOILER HEATING ELEMENT PROTECTION HEIZUNGSSCHUETZ DES WARMWASSERBEREITERS PROTECTION RESISTANCE BOILER PROTECCION RESISTENCIA CALENTADOR	
20	230117	RESISTENZA BOILER 7600W/400V HEATING ELEMENT 7600W/400V HEIZUNG 7600W/400V RESISTANCE 7600W/400V RESISTENCIA CALENTADOR 7600W/400V(LA50)	
21	104061	BOILER CRP LA50 BOILER CRP BOILER CRP SURCHAUFFEUR CRP CALENTADOR CRP LA50	
22	214108	PROTEZIONE TRASPARENTE PER IMPIANTO ELETTRICO PER I TRANSPARENT PROTECTION FOR ELECTRIC INSTALLATION F DURCHSICHTIGER SCHUETZ FUER ELEKTRISCHE ANLAGE DE PROTECTION TRANSPARENTE POUR INSTALLA- TION ELECTR PROTECC.EL.TELA TRANSP.485X300XSP0.13	
23	H.775599-001	* CONTATTORE QUADRIPOLE 240V-50/60HZ * CONTACTOR, QUADRIPOLE 240V-50/60HZ * SCHALTSCHÜTZ, 4-POLIG 240V-50/60HZ * CONTACTEUR QUADRIPOLAIRE 240V-50/60HZ * CONTACTOR CUADRIPOLAR 240V-50/60HZ	
24	229029	RELE' FINDER 65.31 230/50 RELAY FINDER 65.31 230/50 RELAIS FINDER 65.31 230/50 RELAIS FINDER 65.31 230/50 RELE FINDER 65. 31 230/50	
25	215031	SCHEDA GET50 LA50(GREASTOP) MAIN BOARD KARTE CARTE ELECTRONIQUE TARJETA CHORROS50 LA50(GREASTOP)	
26	228012	FUSIBILE 5X20 T100MA FUSE SICHERUNG FUSIBLE FUSIBLE 5X20 T100MA	
27	228004	FUSIBILE 5X20 4A FAST FUSE, 5X20 4A FAST SICHERUNG, 5X20 4A FAST FUSIBLE 5X20 4A FAST FUSIBLE 5X20 4A FAST	
28	228011	FUSIBILE 5X20 T2A FUSE SICHERUNG FUSIBLE FUSIBLE 5X20 T2A	
29	456073	OR(50825)CAMPANA PRESS.LA50 O-RING O-RING O-RING OR(50825)CAMPANA PRES.LA50	
30	107013	CAMPANA PRESSOSTATO PRESSURE SWITCH AIR BELL LUFT-GLOCKE DES DRUCKSCHALTERS CLOCHE PRESSOSTAT CAMPANA PRESOSTATO LA50	
31	143253	TUBO SILICONE 3X8 SILICON PIPE 3X8 SILIKONSCHLAUCH 3X8 TUYAU SILICONE 3X8 TUBO SILICONA 3X8	

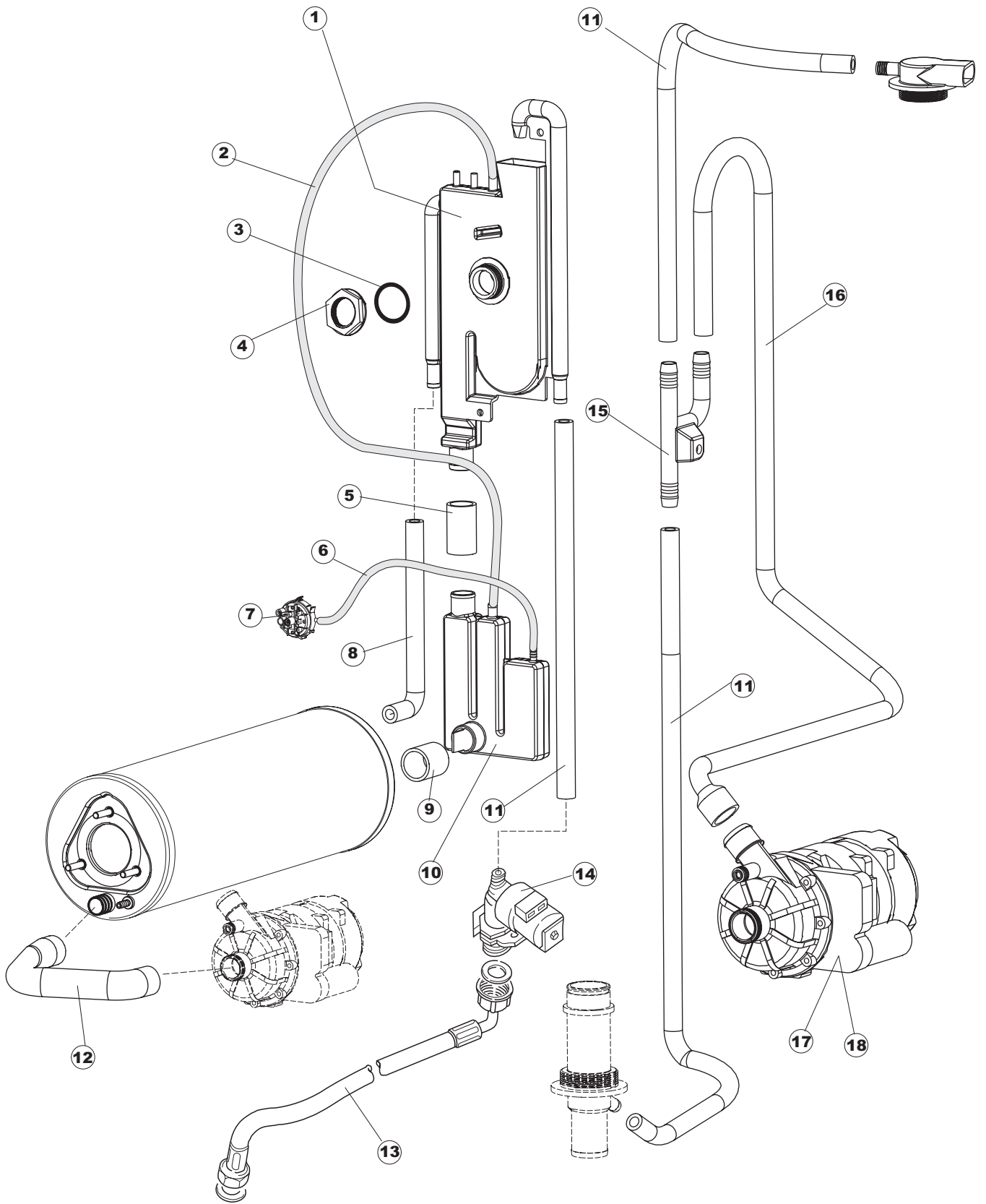
32	224018	PRESSOSTATO ANALOGICO(SCHEDINA)LA50 PRESSURE SWITCH LA50 DRUCKWAECHTER LA50 PRESSOSTAT LA50 PRESOSTATO ANALOGICO(TARJETA)LA50(ADG)	
33	028105	PIASTRINA FERMA SONDA FIXING PLATE PLATCHEN PLAQUETTE FISSAGE PLANCHITA PARADA SONDA	
34	425012	LIVELLOSTATO ASPIRAZIONE WK1-2 BOILER LEVEL METER WASSERNIVEAUREGLER BOILER NIVEAUSTAT RÉCHAUFFEUR REG. NIVEL ASPIRACION WK1-2	
35	143258	TUBETTO 6X10 TUBE 6X10 FLASCHEN 6X10 TUBE 6X10 TUBITO SANTOPRENE 6X10 EMPALMES+VIROLAS	
36	999296	GRUPPO DOSATORE DETERG.(209028)  GRUPO DOSIFICADOR DETERG.(209028)	
37	143194	TUBO 4x6 CRISTAL TRASPARENTE PIPE 4x6 CRISTAL, TRANSP. ROHR 4x6 CRISTAL, DURCHS. TUYAU 4x6 CRISTAL TRANSPARENT TUBO 4x6 CRISTAL TRASPARENTE	
38	468151	RACCORDO ENTRATA SAPONE CPL NM * SALDATO UNION, EXTRA DET. CPL NM * WELDED VERBINDUNGSST., SEIFENEINTRITT CPL NM * GESCHW. RACCORD ENTREE SAVON CPL NM * SOUDE EMPALME ENTRADA JABON CPL NM * SOLDADO	
39	H.165178	TUBO PVC 5X8 CRUSTAL TRASPARENTE PVC PIPE PVC SCHLAUCH TUYAU PVC TUBO P V C 5X8 CRISTAL TRANSPARENT	
40	144028	SERBATOIO SOFT-START LA50 TANK  DEPOSITO SOFT-START LA50	
41	468029	RACCORDO CAMPANA PRESSOSTATO UNION, PRESSURE SWITCH BELL VERBINDUNGSST., DRUCKSCHALTERGLOCKE RACCORD BOITE PRESSOSTAT EMPALME CAMPANA PRESOSTATO	
42	456020	OR 3050 R495 O-ring 3050 R495 O-Ring 3050 R495 OR 3050 R495 OR 3050 R495	
43	429076	GHIERA VALVOLA SFIATO PS LA50  VIROLA VALVULA ALIVIAD. PS LA50	
50	214109	PROTEZIONE TRASPARENTE PER IMPIANTO ELETTRICO PER I TRANSPARENT PROTECTION FOR ELECTRIC INSTALLATION F DURCHSICHTIGER SCHUETZ FUER ELEKTRISCHE ANLAGE DE PROTECTION TRANSPARENTE POUR INSTALLA- TION ELECTR PROTECC.EL.TELA TRANSP.485X90XSP0.13	
51	214110	PROTEZIONE SCHEDA ELETTRONICA LA50 PLASTIC PROTECTION  PROTECTION PLASTIQUE PROTECCION TARJETA ELECTRONICA LA50	





# Pagina 3

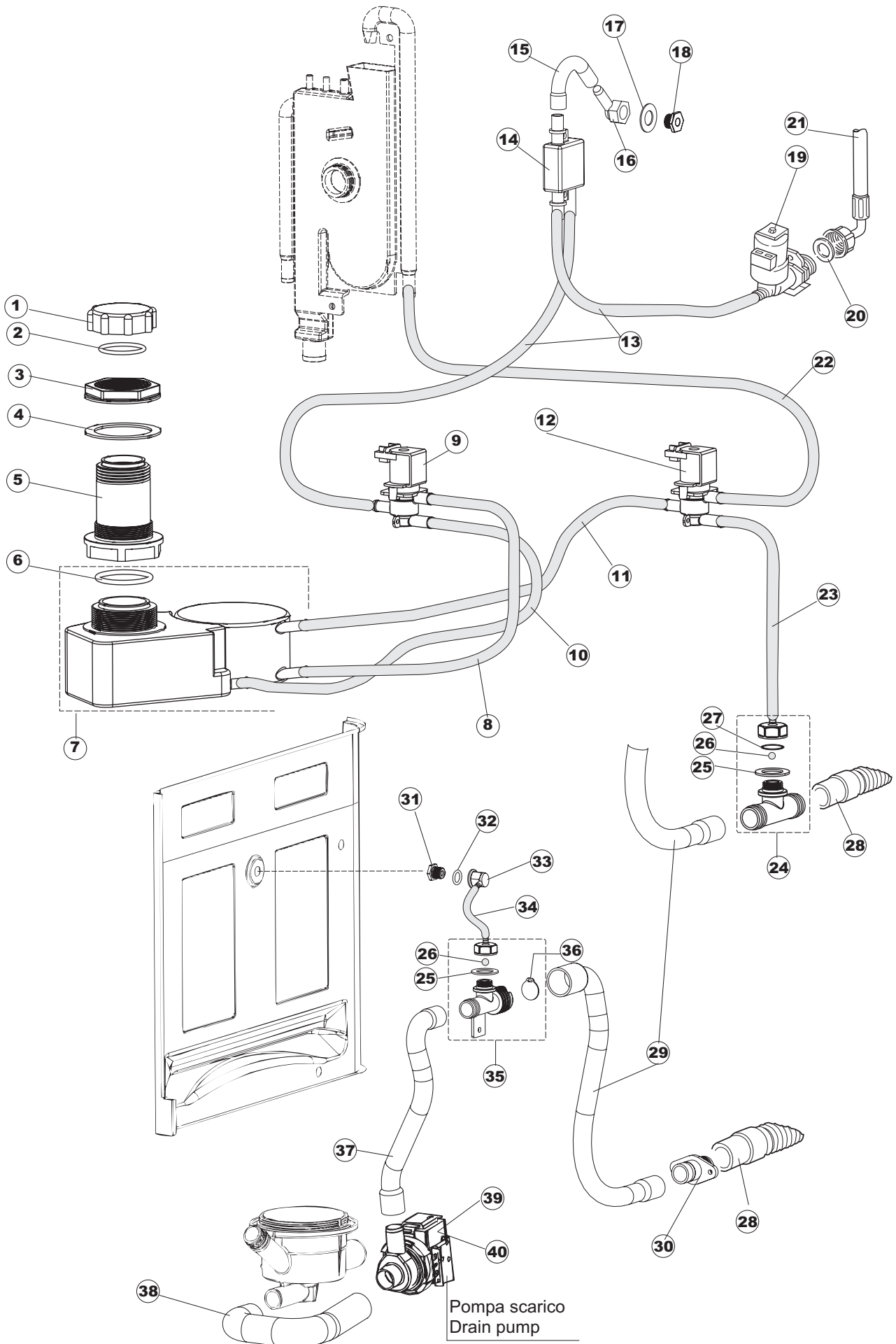
1	121135	GRUPPO FILTRO RIVER-TOPTECH CRP-SP FILTER ASSEMBLY RIVER-TOPTECH CRP-SP FILTERGRUPPE RIVER-TOPTECH CRP-SP GROUPE FILTRE RIVER-TOPTECH CRP-SP GRUPO FILTRO RIVER-TOPTECH CRP-SP	
2	429072	GHIERA CORPO ASPIR./SCARICO LA50  VIROLA CUERPO ASPIR./DESCARGA LA50	
3	456076	OR.D.I.135.9X5.33 ART.53125 OR.D.I.135.9X5.33 ART.53125 TORISCHE DICHTUNG D.I.135.9X5.33 JOINT TORIQUE D.I.135.9X5.33 OR.D.I.135.9X5.33 ART.53125	
4	136028	CORPO ASPIR./SCARICO LA50 ASPIRATION AND DRAIN BODY LA50 ABSAUG-UND ABFLUSSKOERPER LA50 CORPS D'ASPIRATION/VIDANGE LA50 CUERPO ASPIR./DESCARGA LA50	
5	143005	TUBO PRESS.TP 5x11 (CASER/15/NL C4N) PIPE, PRESSURE SWITCH TP 5x11 (CASER/15/NL C4N) ROHR, DRUCKSCHALTER TP 5x11 (CASER/15/NL C4N) TUYAU PRESS.TP 5x11 (CASER/15/NL C4N) TUBO PRES. TP 5x11 (CASER/15/NL C4N)	
8	999309	GRUPPO DOSATORE BRILL.(209033)  GRUPO DOSIFICADOR ABRILL.(209033)	
9	143261	TUBETTO SIL.5X10 MP2NERO+V.I(RR.005.119) TUBE 5X10 FLASCHEN 5X10 TUBE 5X10 TUBITO SILICONA 6X10 EMPALMES+VIROLAS	
10	H.775601	TUBO 4x6 CRISTAL BLUE PVC PIPE 4x6 CRISTAL BLUE PVC ROHR 4x6 CRISTAL BLAU PVC TUYAU 4x6 CRISTAL BLEU PVC TUBO 4x6 CRISTAL AZUL PVC	
11	425012	LIVELLOSTATO ASPIRAZIONE WK1-2 BOILER LEVEL METER WASSERNIVEAUREGLER BOILER NIVEAUSTAT RECHAUFFEUR REG. NIVEL ASPIRACION WK1-2	
12	115143	CONDOTTO CENTRALE INF.LA50 TAPPO DOS. UPPER CENTRAL PIPE LA50 ZENTRALLEITUNG OBEN LA50 CONDUIT CENTRAL INFERIEUR LA50 CONDUCTO CENTRAL INF.LA50 TAPON DOSIF.	
13	127085	MANICOTTO MANDATA INF.LA50 PUMP INTAKE COUPLING LA50 SAUGMUFFE PUMPE LA50 MANCHON ASPIRATION POMPE LA50 MANGUITO IMPULSION INF.LA50	
14	127082	MANICOTTO ASPIRAZIONE MANCHON REFOULEMENT RINÇAGE NACHSPUEL-FOERDERUNGSBOGEN RINSE DELIVERY ELBOW MANGUITO ASPIRACION	
15	115140	CONDOTTA.LAV.SALD.LA50 WELDED PLASTIC PIPE LA50 VEREINTE WASHLEITUNG LA50 DURITE CONDUCTO.LAV.SOLD.LA50	
16	127084	MANICOTTO MANDATA SUP.LA50 UPPER DELIVERY COUPLING OBERE DRUCKMUFFE MANCHON DE REFOULEMENT MANGUITO IMPULSION SUP.LA50	



# Pagina 4

1	144021	AIRGAP SPECIALE LA50 PLASTIC AIRGAP AIR GAP GEOFFNETER BEHAELTER AIRGAP SPECIAL LA50 AIRGAP ESPECIAL LA50	
2	H.165168	TUBO PVC 6X9 CRISTAL TRASP. RAUCLAIR PVC PIPE PVC SCHLAUCH TUYAU PVC * TUBO PVC 6X9 CRISTAL TRANSPARENTE	
3	437104	GUARNIZIONE D45D33S2 EPDM 70SH RUBBER GASKET DICHTUNG JOINT JUNTA D45D33S2 EPDM 70SH	
4	417125	DADO IN PLAST.CON COLLARE(171571) NUT MUTTER ECROU TUERCA DE PLAST.CON COLLAR(171571)	
5	127096	MANICOTTO BREAK TANK->SISTEMA CRP LA50 BREAK TANK MANIFOLD  MANGUITO BREAK TANK->SISTEMA CRP LA50	
6	143235	TUBO 4x7 SILICONE TRASPARENTE CRP PIPE 4x7 SILICONE, TRANSP. CRP ROHR 4x7 SILICON, DURCHSICHT. CRP TUYAU 4x7 SILICONE TRANSPARENT CRP TUBO 4x7 SILICONA TRASPARENTE CRP	
7	224024	PRESSOSTATO 35/22 PRESSURE SWITCH 35/22 DRUCKWAECHTER 35/22 PRESSOSTAT 35/22 PRESOSTATO - 35/22 CRP LA50	
8	127098	MANICOTTO SFIATO BOILER CRP->BT COUPLING LA50 MUFFE LA50 MANCHON LA50 MANGUITO ALVIAD. CALENTADOR CRP->BT LA50	
9	127095	MANICOTTO BOILER->SISTEMA CRP MANIFOLD  MANGUITO CALENTADOR->SISTEMA CRP	
10	144027	SISTEMA CARICAMENTO CRP PLASTIC AIRGAP AIR GAP GEOFFNETER BEHAELTER  SISTEMA CARGA CRP	
11	143004	TUBO PRESS.TP 10X17 (CASER/15NL C4N) PIPE, PRESSURE SWITCH TP 10X17 (CASER/15NL C4N) ROHR, DRUCKSCHALTER TP 10X17 (CASER/15NL C4N) TUYAU PRESS.TP 10X17 (CASER/15NL C4N) TUBO PRES. TP 10X17 (CASER/15NL C4N)	
12	69068	MANICOTTO ASPIRAZ.CRP LA50 INTAKE COUPLING LA50 SAUGMUFFE LA50 MANCHON D'ASPIRATION MANGUITO ASPIRAC.CRP LA50	
13	929169	TUBO DI CARICO DEL TERMOPLASTICO PIPE, THERMOPLASTIC DELIVERY ROHR, EINLASS THERMOPLAST TUYAU DE CHARG. DU THERMOPLASTIQUE TUBO DE CARGA DEL TERMOPLASTICO	
14	240018	VALVOLA DI CARICO 1 VIA CRP LOADING S.VALVE 1-WAY CRP ZUFLUSSVENTIL 1-WEG CRP SOUPAPE DE CHARG. 1 VOIE CRP VALVULA DE CARGA 1 VIA CRP	
15	143173	GIUNZIONE RISC.PLAST.35/40/50 JOINT, RINSE PLAST.35/40/50 VERBIND., NACHSPÜLEN KUNST.35/40/50 JOINT RINC.PLAST.35/40/50 UNION ENJUAGUE PLAST. 35/40/50	

16	127097	MANICOTTO MANDATA POMPA CRP->H PUMP DELIVERY COUPLING CRP-H DRUCKMUFFE PUMPE CRP-H MANCHON DE REFOULEMENT POMPE CRP-H MANGUITO IMPULSION BOMBA CRP->H	
17	80627	ELETTROPOMPA 200W 230V-1PH-50HZ CON CONDENSATOR PUMP PUMPE POMPE ELECTROBOMBA ENJUAGUE 200W	
18	80629	ELETTROPOMPA 200W 220/240V-1PH-60HZ CON CONDENSA PUMP PUMPE POMPE ELECTROBOMBA ENJUAGUE 200W 60HZ	



# Pagina 5

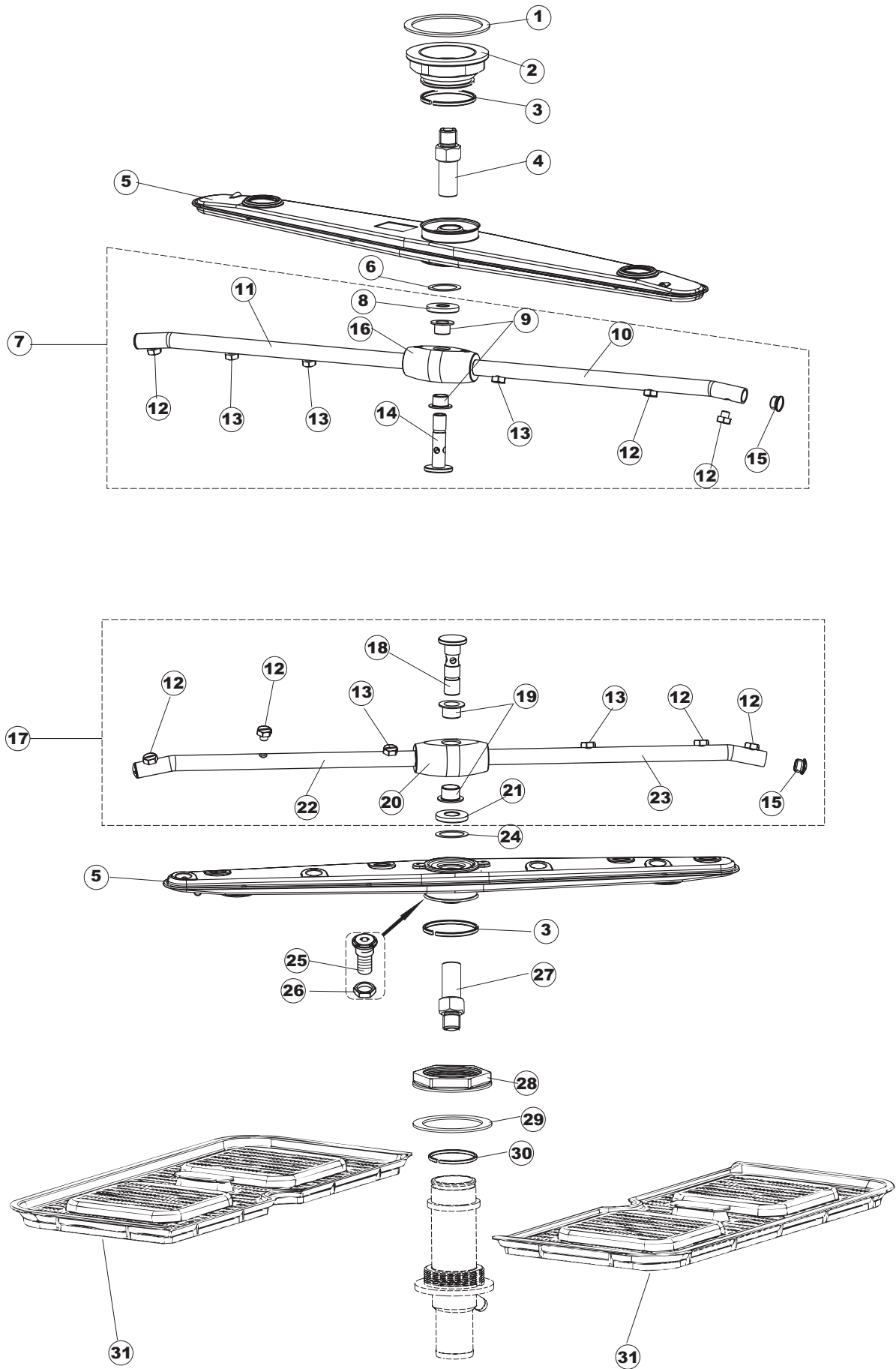
1	480005	TAPPO BOCCIA SALE SALT CONTAINER SCREW CAP PFROPFEN, SALZBEHALTER BOUCHON BAC A SEL TAPON JARRA SAL	
2	456052	OR 144 O-ring 144 O-Ring 144 OR 144 OR 144	
3	429073	GHIERA FISSA CONDOTTO INF.LA50  VIROLA FIJA CONDUCTO INF.LA50	
4	437102	GUARNIZIONE CONDOTTO INFER.LA50  JUNTA CONDUCTO INFER.LA50	
5	466006	PROLUNGA DOSATORE IDRAULICO RINSE AID CONNECTION VERLANGERUNG SALZBEHAELTER LA50 RALLONGE RÉSERVOIR SEL/DÉP.LA50 ALARGADOR CONTENEDOR SAL/DEP.LA50	
6	456079	OR DECALCIFICATORE O-RING DICHTUNG O-RING JOINT O-RING OR DESCALCIFICADOR TYPE425	
7	117008	DECALCIFICATORE TYPE425+FASTON WATER SOFTNER WASSERENTKAEKLER ADOUCCISEUR DESCALCIFICADOR TYPE425+FASTON	
8	127100	MANICOTTO INGRESSO ADDOLC.ADG COUPLING LA50 MUFFE LA50 MANCHON LA50 MANGUITO ENTRADA SUAVIZ. ADG LA50	
9	999288	GRUPPO VALVOLA DEVIATRICE  GRUPO VALVULA DESVIAC.CON REDUCTOR	
10	127099	MANICOTTO RIGENERAZIONE COUPLING LA50 MUFFE LA50 MANCHON LA50 MANGUITO REGENERACION SUAVIZ. ADG LA50	
11	127101	MANICOTTO INGRESSO ADDOLC.ADG COUPLING LA50 MUFFE LA50 MANCHON LA50 MANGUITO SALIDA SUAVIZ. ADG LA50	
12	240020	VALVOLA 2 VIE(DEPURATORE)LA50 ADG SOLENOID VALVE - TWO WAYS MAGNETVENTIL ZWEI WEGE SOUPAPE SOLENOIDE 2 VOIES VALVULA 2 VIAS(DEPURADOR)LA50 ADG	
13	143004	TUBO PRESS.TP 10X17 (CASER/15NL C4N) PIPE, PRESSURE SWITCH TP 10X17 (CASER/15NL C4N) ROHR, DRUCKSCHALTER TP 10X17 (CASER/15NL C4N) TUYAU PRESS.TP 10X17 (CASER/15NL C4N) TUBO PRES. TP 10X17 (CASER/15NL C4N)	
14	H.324091	DISPOSITIVO A/R A/R DEVICE VORRICHTUNG A/R DISPOSIT.A/R DISPOSITIVO A/R (EB)	
15	127094	MANICOTTO SFIATO VALVOLA DVGW COUPLING MUFFE MANCHON MANGUITO ALIVIAD. VALVULA DVGW	

16	468165	PIPA RACCORDO PLASTICA 35/40/22 LUG, PLASTIC UNION 35/40/22 FITTING, KUNST. VERBINDUNGSST. 35/40/22 TUBE RACCORD PLAST.35/40/22 PIPA EMPALME PLASTICO 35/40/22	
17	437078	GUARNIZIONE DOSAT.E35/.RISC.SUP. GASKET, DISPENSER E35/.UPP.RINSE DICHTUNG, DOSIERER E35/.OB.NACHSPÜLEN JOINT DOSEUR E35/.RINC.SUP. JUNTA DOSIFIC. E35/. ENJUAGUE SUP.	
18	429075	GHIERA SFIATO VALVOLA DVGW LA50 NUT GEWINDERING DOUILLE VIROLA ALIVIAD. VALVULA DVGW LA50	
19	240021	ELETTROVALVOLA DI CARICO - 1 VIA CRP ONE-WAY "CRP" FILL SOLENOID VALVE "CRP" WASSERZUFUHR-EINWEGMAGNETVENTIL ELECTROVANNE D'ALIMENTATION "CRP" UNE VOIE VALVULA DE CARGA 1VIA CRP(LA40)	
20	437041	GUARNIZIONE 3/4 GAS CARICO GASKET 3/4 GAS LOAD DICHTUNG 3/4 GASVERSORG. JOINT 3/4 GAZ VID. JUNTA 3/4 GAS CARGA	
21	929169	TUBO DI CARICO DEL TERMOPLASTICO PIPE, THERMOPLASTIC DELIVERY ROHR, EINLASS THERMOPLAST TUYAU DE CHARG. DU THERMOPLASTIQUE TUBO DE CARGA DEL TERMOPLASTICO	
22	127103	MANICOTTO INGRESSO BT ADDOLC.ADG COUPLING LA50 MUFFE LA50 MANCHON LA50 MANGUITO ENTRADA BT SUAVIZ. ADG LA50	
23	127102	MANICOTTO DI CONNESS.A"T"DI SCARICO COUPLING LA50 MUFFE LA 50 MANCHON LA50 MANGUITO DE UNION EN "T" DE DESCARGA LA50	
24	144993	GRUPPO VALVOLA DI SFIATO DRAIN PUMP VENT VALVE CRP LUFTLOCH-VENTIL DER ABFLUSSPUMPE CRP SOUPAPE DE SOUPIRAL POMPE DE VIDANGE CRP GR.VALVULA ALIVIAD. X SUAVIZ. ADG.	
25	437083	GUARNIZIONE GOMMA D32D19.5S1.5 GASKET, RUBBER D32D19.5S1.5 DICHTUNG, GUMMI D32D19.5S1.5 JOINT CAOUTCHOUC D32D19.5S1.5 JUNTA GOMA D32D19. 5S1. 5	
26	476008	SFEROA VALVOLA LA50. HOST  ESFERA VALVULA.LA50.HOST.D=5/16"	
27	456015	OR 112 9.92X2.62 O-ring 112 9.92X2.62 O-Ring 112 9.92X2.62 OR 112 9.92X2.62 OR 112 9. 92X2. 62	
28	143137	TUBO SCARICO D18 TERM.LE CURVO PIPE, DRAIN D18 BENT TERM. ABLASSROHR D18 GEBOG. ENDE TUYAU VIDANGE D18 TERMINAL COURB TUBO DESCARGA D18 TERMINAL CURVO	
29	127093	MANICOTTO VALVOLA SFIATO>FLANGIA ZOCC. MANIFOLD MUFFE MANCHON MANGUITO VALVULA ALIVIAD.>BRIDA BASE	
30	468152	RACCORDO SCARICO CLEAN.3 UNION, DRAIN CLEAN.3 VERBINDUNGSST., ABLAUF CLEAN.3 RACCORD VIDANGE CLEAN.3 EMPALME DESCARGA CLEAN. 3	



31	429076	GHIERA VALVOLA SFIATO PS LA50  VIROLA VALVULA ALIVIAD. PS LA50	
32	456020	OR 3050 R495 O-ring 3050 R495 O-Ring 3050 R495 OR 3050 R495 OR 3050 R495	
33	468029	RACCORDO CAMPANA PRESSOSTATO UNION, PRESSURE SWITCH BELL VERBINDUNGSST., DRUCKSCHALTERGLOCKE RACCORD BOITE PRESSOSTAT EMPALME CAMPANA PRESOSTATO	
34	143235	TUBO 4x7 SILICONE TRASPARENTE CRP PIPE 4x7 SILICONE, TRANSP. CRP ROHR 4x7 SILICON, DURCHSICHT. CRP TUYAU 4x7 SILICONE TRANSPARENT CRP TUBO 4x7 SILICONA TRASPARENTE CRP	
35	144995	GRUPPO VALVOLA DI SFIATO X PS LA50 DRAIN PUMP VENT VALVE LA50 LUFTLOCH-VENTIL DER ABFLUSSPUMPE LA50 SOUPAPE DE SOUPIRAL POMPE DE VIDANGE LA50 GR.VALVULA ALIVIAD. X PS LA50	
36	499092	MEMBRANA VALVOLA SFIATO PS LA50  MEMBRANA VALVULA ALIVIAD. PS LA50	
37	127092	MANICOTTO P./SCARICO>VALVOLA SFIATO DRAIN PUMP COUPLING MUFFE ABLAUFPUMPE MANCHON POMPE DE VIDANGE MANGUITO B./DESCARGA>VALVULA ALIVIADERO	
38	127087	MANICOTTO GOMMA POMPA SC.LA50 RUBBER COUPLING DRAIN PUMP MUFFE DURITE MANGUITO GOMA BOMBA DESC.LA50	
39	80117	POMPA SCARICO RIVER DRAIN PUMP RIVER ABLASSPUMPE RIVER POMPE VIDANGE RIVER BOMBA DESCARGA RIVER	
40	80117HZ	POMPA SCARICO 240V/60HZ (DPS35-015) DRAIN PUMP 240V/60HZ (DPS35-015) ABLASSPUMPE 240V/60HZ (DPS35-015) POMPE VIDANGE 240V/60HZ (DPS35-015) BOMBA DESCARGA 240V/60HZ VER 80117 UL	

# 6



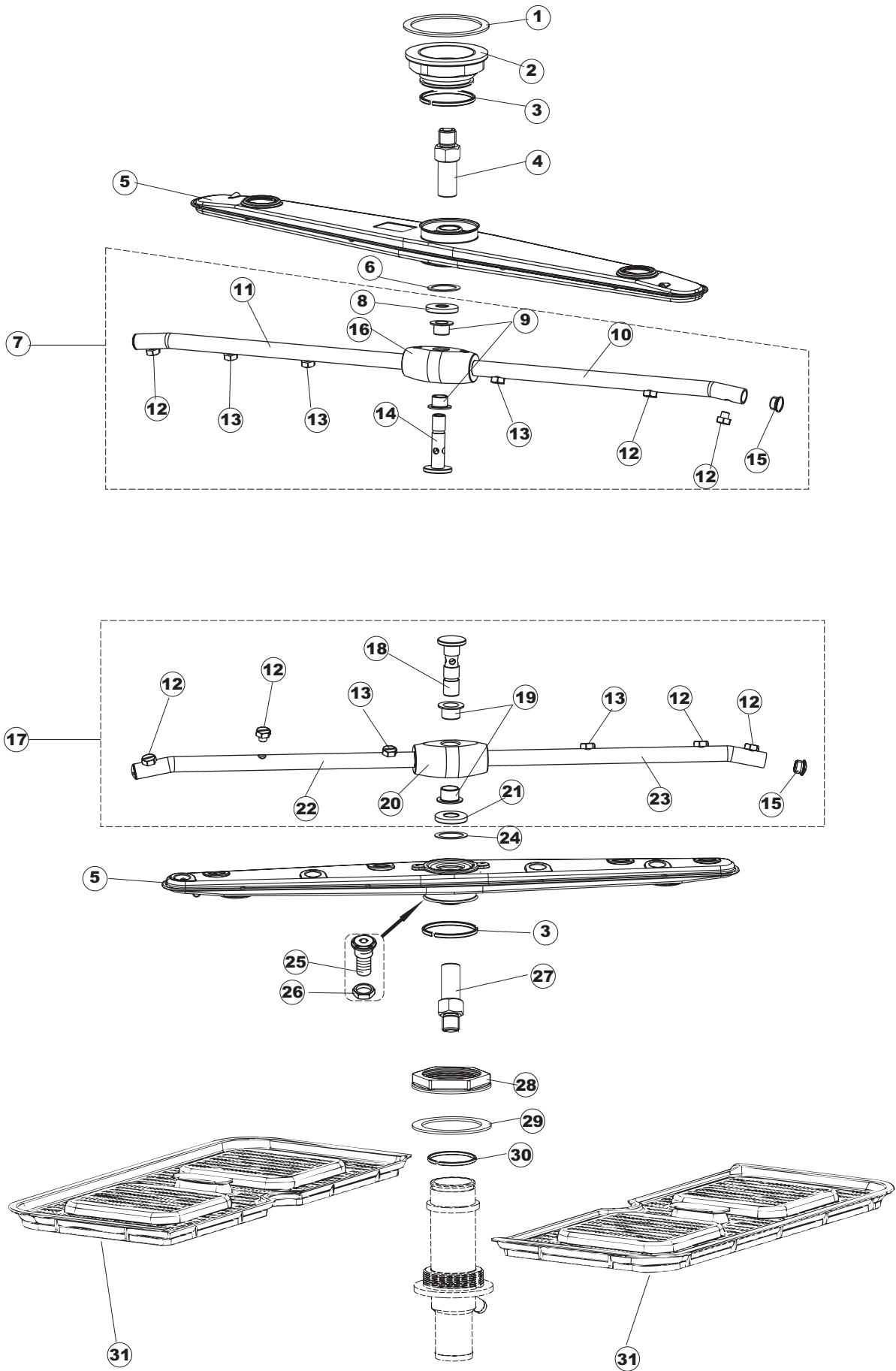
# Pagina 6

1	437113	GUARNIZIONE CORPO INFERIORE PER LAVABICCHIERI LOWER BODY GASKET FOR GLASSWASHERS DICHTUNG DES KOERPERS -UNTEN- FUER GLAES ERSPUELEI JOINT CORPS INFERIEUR LAVE-VERRES JUNTA CUERPO INFER.LA40-50	
2	429069	GHIERA COND.CENTRALE X5 RING NUT, CENTR.PIPELINE X5 GEWINDERING, HAUPTLEITUNG X5 BAGUE COND.CENTR. X5 VIROLA COND. CENTRAL X5	
3	303032	ANELLO INOX DI TENUTA LAVAGGIO X5 RING, INOX WASH. SEAL X5 DICHTUNGSRING, INOX SPÜL. X5 BAGUE INOX D'ETANCHEITE LAVAGE X5 ANILLO INOX DE ESTANQ. LAVADO X5	
4	325070	PROLUNGA PERNO RISC.SUP.X5 EXTENSION, FOR UPPER RINSE PIN X5 VERLANGERUNG, FÜR OB. NACHSPÜLZAPFEN X5 RALLONGE PIVOT RINC.SUP.X5 ALARGADOR PERNO ENJUAGUE SOP. X5	
5	80345	GR.PETTINE LAVAGGIO INOX NM NEW WASH BOSS ASSEMBLY SPUELARM KOMPL. GROUPE RAMPE LAVAGE GR.PEINE LAVADO INOX NM	
6	80623	ANELLO IN TEFLON 22X9,5X1 RING 22X9,5X1 RING 22X9,5X1 RING 22X9,5X1 ANILLO DE TEFLON 22X9,5X1	
7	80688	GRUPPO RISC.SUP.ULTRA RINSE UPPER RINSE ASSEMBLY OBERE NACHSPUELGRUPPE GROUPE RINÇAGE SUPERIEUR GRUPO ENJUÁGUE SUP.ULTRA RINSE TOPTECH	
8	80697	GHIERA ULTRA RINSE INOX NUT RING BAGUE VIROLA ULTRA RINSE INOX	
9	80680	CUSCINETTO FLANGIATO (HFM-1012-09) BEARING LAGER COUSSINET COJINETE EMBRIDADO (HFM-1012-09)	
10	80689	BRACCIO RISCIAQUO  BRAZO (3) ENJUAGUE SUP.80688	
11	80690	BRACCIO RISCIAQUO  BRAZO (2) ENJUAGUE SUP.80688	
12	80657	SPRUZZATORE RISCIAQUO INOX STAINLESS STEEL RINSE SPRAY NOZZLE EDELSTAHL NACHSPUELDUESE GICLEUR DE RINÇAGE INOX ROCIADOR ENJUÁGUE INOX ULTRARINSE IM8MC3E068	
13	80656	SPRUZZATORE RISCIAQUO INOX STAINLESS STEEL RINSE SPRAY NOZZLE EDELSTAHL NACHSPUELDUESE GICLEUR DE RINÇAGE INOX ROCIADOR ENJUÁGUE INOX ULTRARINSE IM8MC3E048	
14	80699	PERNO LANCIA ULTRA RINSE INOX PIN ZAPFEN PIVOT PERNO LANCZA ULTRA RINSE INOX	
15	80687	TAPPO LATERALE ULTRA RINSE INOX PLUG DECKEL BOUCHON TAPON LATERAL ULTRA RINSE INOX	

16	80698	CORPO LANCIA ULTRA RINSE INOX BODY NOZZLE KOEPER DUESE CORPS LANCE CUERPO LANZA ULTRA RINSE INOX	
17	80691	GRUPPO RISCIAQUO INFERIORE ULTRA RINSE TOPTECH LOWER RINSE ASSEMBLY NACHSPUELARM UNTEN KPL GROUPE RINÇAGE INF GRUPO ENJUAGUE INF.ULTRA RINSE TOPTECH	
18	80696	PERNO LANCIA ULTRA RINSE INOX PIN PIN ZAPFEN PERNO LANZA ULTRA RINSE INOX	
19	80655	CUSCINETTO FLANGIATO (HFM-1214-10) BEARING LAGER COUSSINET COJINETE EMBRIDADO (HFM-1214-10)	
20	80695	CORPO LANCIA ULTRA RINSE INOX  CUERPO LANZA ULTRA RINSE INOX	
21	80679	GHIERA ULTRA RINSE INOX NUT RING BAGUE VIROLA ULTRA RINSE INOX	
22	80694	BRACCIO RISCIAQUO  BRAZO (3) ENJUAGUE INF.80691	
23	80693	BRACCIO RISCIAQUO  BRAZO(2) ENJUAGUE INF.80691	
24	80622	ANELLO IN TEFLON 22X11,5X1 RING 22 X 11,5X1 RING 22X11,5X1 BAGUE 22X11,5X1 ANILLO DE TEFLON 22X11,5X1	
25	417111	BUSSOLA PETTINE LAV.X5 BUSHING, WASH-ARM X5 BUCHSE, SPÜLKAMM X5 DOUILLE PEIGNE LAV.X5 CASQUILLO PEINE LAV. X5	
26	308031	GHIERA BUSSOLA LAVAGGIO X5 RING NUT, WASH.BUSH X5 GEWINDERING, SPÜL.BUCHSE X5 BAGUE DOUILLE LAVAGE X5 VIROLA CASQUILLO LAVADO X5	
27	80648	PERNO RISC.UNTRA RINSE TOPTECH UPPER RINSE PIN TOPTECH ZAPFEN SPUELARM OBEN TOPTECH PIVOT RINÇAGE SUPERIEUR PERNO ENJUAGUE ULTRA RINSE TOPTECH	
28	429073	GHIERA FISSA CONDOTTO INF.LA50  VIROLA FIJA CONDUCTO INF.LA50	
29	437102	GUARNIZIONE CONDOTTO INFER.LA50  JUNTA CONDUCTO INFER.LA50	
30	303037	ANELLO DI TENUTA LAVAGGIO X5 RING RING BAGUE ANILLO DE ESTANQ. LAVADO X5	

31	121121	FILTRO VASCA INOX INTEGRALE LA50 CPL FILTER SIEB FILTRE FILTRO CUBETA INOX INTEGRAL LA50 CPL	
----	--------	--	--

# 7



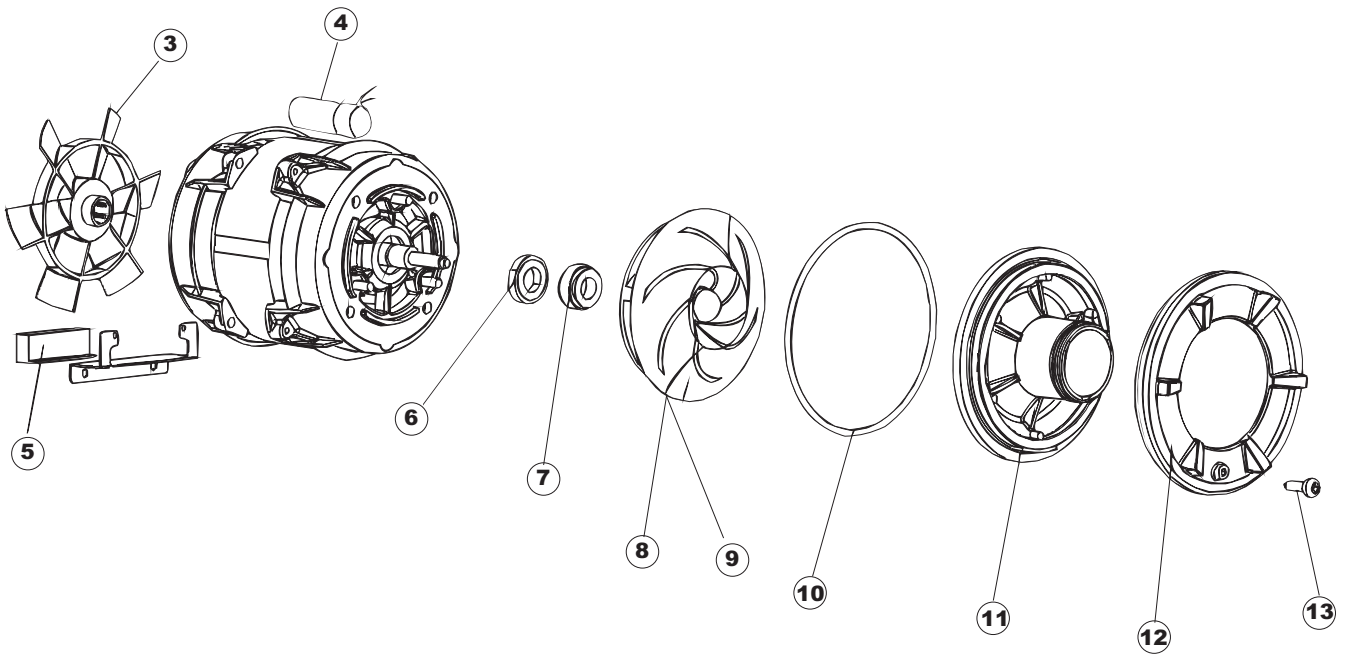
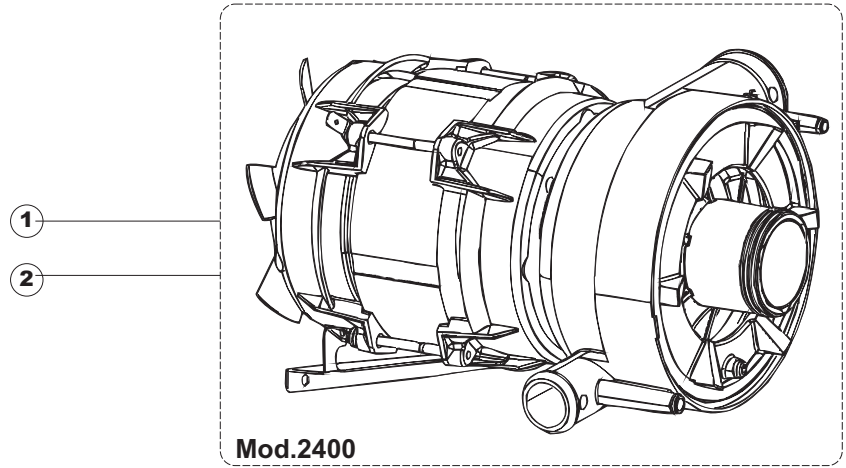
# Pagina 7

1	437113	GUARNIZIONE CORPO INFERIORE PER LAVABICCHIERI LOWER BODY GASKET FOR GLASSWASHERS DICHTUNG DES KOERPERS -UNTEN- FUER GLAES ERSPUELEI JOINT CORPS INFERIEUR LAVE-VERRES JUNTA CUERPO INFER.LA40-50	
2	429069	GHIERA COND.CENTRALE X5 RING NUT, CENTR.PIPELINE X5 GEWINDERING, HAUPTLEITUNG X5 BAGUE COND.CENTR. X5 VIROLA COND. CENTRAL X5	
3	303032	ANELLO INOX DI TENUTA LAVAGGIO X5 RING, INOX WASH. SEAL X5 DICHTUNGSRING, INOX SPÜL. X5 BAGUE INOX D'ETANCHEITE LAVAGE X5 ANILLO INOX DE ESTANQ. LAVADO X5	
4	325070	PROLUNGA PERNO RISC.SUP.X5 EXTENSION, FOR UPPER RINSE PIN X5 VERLANGERUNG, FÜR OB. NACHSPÜLZAPFEN X5 RALLONGE PIVOT RINC.SUP.X5 ALARGADOR PERNO ENJUAGUE SOP. X5	
5	80345	GR.PETTINE LAVAGGIO INOX NM NEW WASH BOSS ASSEMBLY SPUELARM KOMPL. GROUPE RAMPE LAVAGE GR.PEINE LAVADO INOX NM	
6	80623	ANELLO IN TEFLON 22X9,5X1 RING 22X9,5X1 RING 22X9,5X1 RING 22X9,5X1 ANILLO DE TEFLON 22X9,5X1	
7	69688	BRACCIO "ULTRA RINSE" SUPERIORE  BRAZO SUP."ULTRA RINSE" (AISI316)	
8	69697	GHIERA BRACCIO ULTRA RINSE  VIROLA BRAZO "ULTRA RINSE" (AISI316)	
9	80680	CUSCINETTO FLANGIATO (HFM-1012-09) BEARING LAGER COUSSINET COJINETE EMBRIDADO (HFM-1012-09)	
10	69689	BRACCIO RISCIAQUO  BRAZO(3) ENJUAGUE SUP.69688	
11	69690	BRACCIO RISCIAQUO  BRAZO(2) ENJUAGUE SUP.69688(316)	
12	69657	SPRUZZATORE RISCIAQUO INOX STAINLESS STEEL RINSE SPRAY NOZZLE EDELSTAHL NACHSPUELDUESE GICLEUR DE RINÇAGE INOX ROCIADOR ENJUÁGUE INOX ULTRARINSE (AISI316)	
13	69656	SPRUZZATORE RISCIAQUO INOX STAINLESS STEEL RINSE SPRAY NOZZLE EDELSTAHL NACHSPUELDUESE GICLEUR DE RINÇAGE INOX ROCIADOR ENJUÁGUE INOX ULTRARINSE (AISI316)	
14	69699	BRACCIO "ULTRA RINSE" INFERIORE  PERNO BRAZO "ULTRA RINSE" (AISI316)	
15	80687	TAPPO LATERALE ULTRA RINSE INOX PLUG DECKEL BOUCHON TAPON LATERAL ULTRA RINSE INOX	

16	69698	PERNO BRACCIO ULTRA RINSE  CUERPO BRAZO "ULTRA RINSE" (AISI316)	
17	69691	BRACCIO "ULTRA RINSE" INFERIORE  BRAZO INF."ULTRA RINSE" (AISI316)	
18	69696	PERNO BRACCIO ULTRA RINSE  PERNO BRAZO "ULTRA RINSE" (AISI316)	
19	80655	CUSCINETTO FLANGIATO (HFM-1214-10) BEARING LAGER COUSSINET COJINETE EMBRIDADO (HFM-1214-10)	
20	69695	CORPO BRACCIO ULTRA RINSE  CUERPO BRAZO "ULTRA RINSE" (AISI316)	
21	69679	GHIERA BRACCIO ULTRA RINSE  VIROLA BRAZO "ULTRA RINSE" (AISI316)	
22	69694	BRACCIO RISCIAQUO  BRAZO(3) ENJUAGUE INF.69691(316)	
23	69693	BRACCIO RISCIAQUO  BRAZO(2) ENJUAGUE INF.69691(316)	
24	80622	ANELLO IN TEFLON 22X11,5X1 RING 22 X 11,5X1 RING 22X11,5X1 BAGUE 22X11,5X1 ANILLO DE TEFLON 22X11,5X1	
25	417111	BUSSOLA PETTINE LAV.X5 BUSHING, WASH-ARM X5 BUCHSE, SPÜLKAMM X5 DOUILLE PEIGNE LAV.X5 CASQUILLO PEINE LAV. X5	
26	308031	GHIERA BUSSOLA LAVAGGIO X5 RING NUT, WASH.BUSH X5 GEWINDERING, SPÜL.BUCHSE X5 BAGUE DOUILLE LAVAGE X5 VIROLA CASQUILLO LAVADO X5	
27	80648	PERNO RISC.UNTRA RINSE TOPTECH UPPER RINSE PIN TOPTECH ZAPPEN SPUELARM OBEN TOPTECH PIVOT RINÇAGE SUPERIEUR PERNO ENJUAGUE ULTRA RINSE TOPTECH	
28	429073	GHIERA FISSA CONDOTTO INF.LA50  VIROLA FIJA CONDUCTO INF.LA50	
29	437102	GUARNIZIONE CONDOTTO INFER.LA50  JUNTA CONDUCTO INFER.LA50	
30	303037	ANELLO DI TENUTA LAVAGGIO X5 RING RING BAGUE ANILLO DE ESTANQ. LAVADO X5	



31	121121	FILTRO VASCA INOX INTEGRALE LA50 CPL FILTER SIEB FILTRE FILTRO CUBETA INOX INTEGRAL LA50 CPL	
----	--------	--	--



# Pagina 8

1	130982	POMPA LAVAGGIO WASHING UNIT + PUMP WASCHPUMPE-KOERPER+ PUMPE GROUPE POMPE DE LAVAGE + POMPE GRUPO BOMBA(130161)LA50 50HZ	
2	130981	POMPA LAVAGGIO WASHING UNIT + PUMP WASCHPUMPE-KOERPER+ PUMPE GROUPE POMPE DE LAVAGE + POMPE GRUPO BOMBA(130164)LA50 60HZ	
3	335015	VENTOLA POMPA 2400 FAN LUFERRAD VENTILATEUR ROTOR BOMBA 2400	
4	206002	CONDENSATORE DA 10 mF CONDENSER - 10 mF KONDENSATOR - 10 mF CONDENSATEUR DE 10 mF CONDENSADOR DE 10 mF	
5	478062	SUPPORTO ELASTICO POMPA LA50 ELASTIC BLOCK FIOR PUMP ELASTISCHBLOCK FUER PUMPE BLOQUE ELASTIQUE POUR POMPE SOPORTE ELASTICO BOMBA LA50	
6	141008	TENUTA MECCANICA PER POMPA DI LAVAGGIO PER LAVABICI WASH PUMP SHAFT SEAL FOR GLASSWASHER MECHANISCHE DICHTUNG FUER WASCHPUMPE DER GLAESE ETANCHEITE' DE LA POMPE DE LAVAGE POUR LAVE-VERRES SELLO MEC.FISJO BOMBA(0146R)	
7	141009	TENUTA MECCANICA PER POMPA DI LAVAGGIO PER LAVABICI WASH PUMP SHAFT SEAL FOR GLASSWASHER MECHANISCHE DICHTUNG FUER WASCHPUMPE DER GLAESE ETANCHEITE' DE LA POMPE DE LAVAGE POUR LAVE-VERRES SELLO MEC.GIRAT. BOMBA(0142R)	
8	124057	GIRANTE+INSERTO POMPA(2398R) IMPELLER PUMPENFLUEGEL TURBINE ROTOR+ELEMENTO BOMBA(2398R)	
9	124060	GIRANTE+INSERTO POMPA(2398R)60HZ IMPELLER PUMPENFLUEGEL TURBINE ROTOR+ELEM. BOMBA(2398R)60HZ	
10	456078	OR.POMPA(2402R)3.53X170.5 OR.PUMP (2402R)3.53X170.5 TORISCHE DICHTUNG JOINT TORIQUE OR.BOMBA(2402R)3.53X170.5	
11	480148	TAPPO CHIOCCIOLA POMPA(2397R) PUMP CAP DECKEL PUMPE BOUCHON POMPE TAPON ESPIRAL BOMBA (2397R)	
12	429074	GHIERA FILETTATA POMPA(2399R) NUT RING DOUILLE VIROLA ROSCADA BOMBA (2399R)	
13	486242	VITE 3.5X13 TBC UNI6954(0062R) SCREW 3.5X13 SCHRAUBE 3.5X13 VIS 3.5X13 TORNILLO 3.5X13 TBC UNI6954(0062R)	

# COLGED

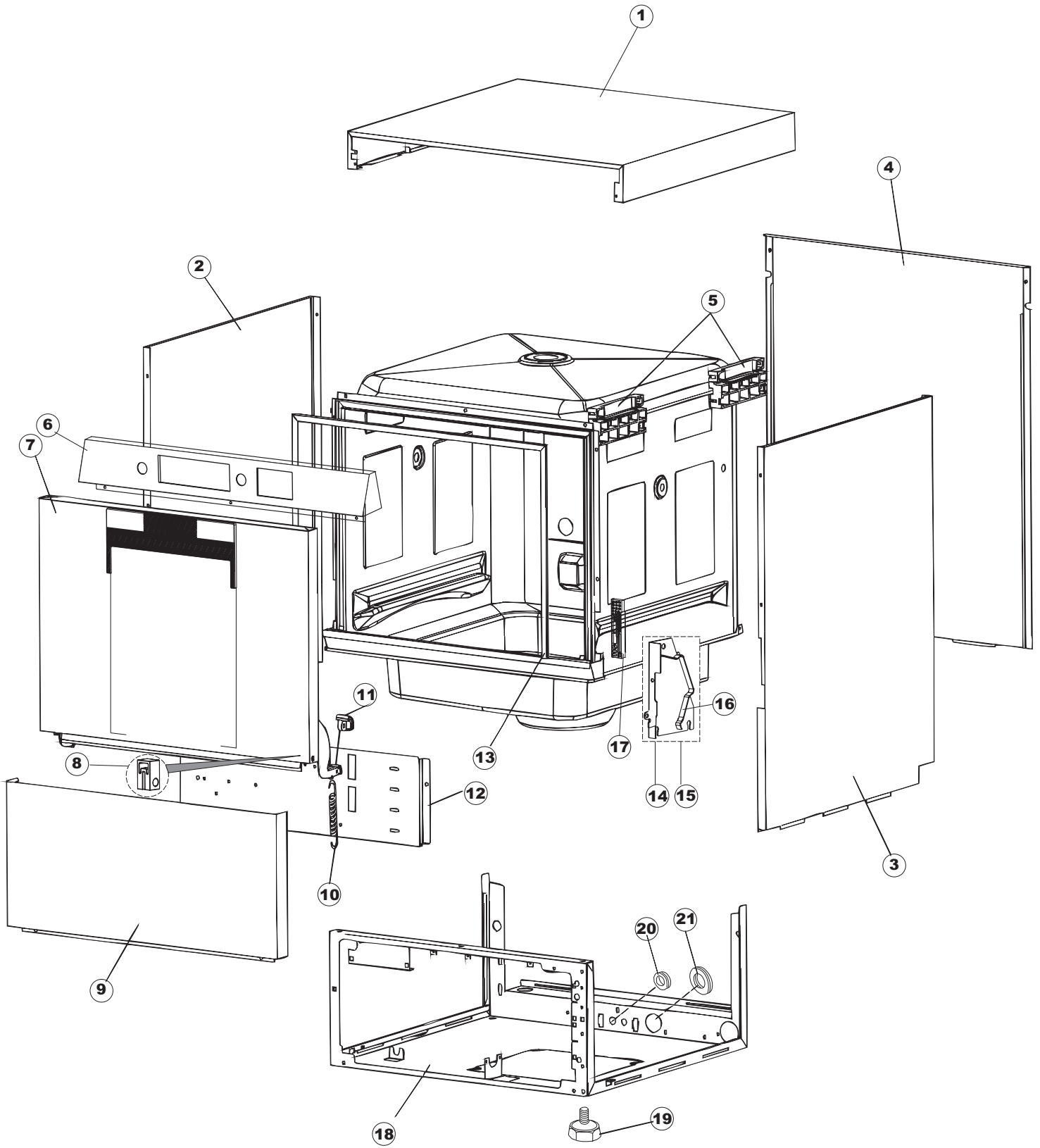
**SPARE PARTS CATALOGUE  
ERSATZTEILKATALOG  
CATALOGUE PIECES DETACHEES  
CATALOGO PARTI RICAMBIO  
CATALOGO DE PIEZAS DE RECAMBIO  
CATALOGO PEÇAS DE REPOSIÇÃO**

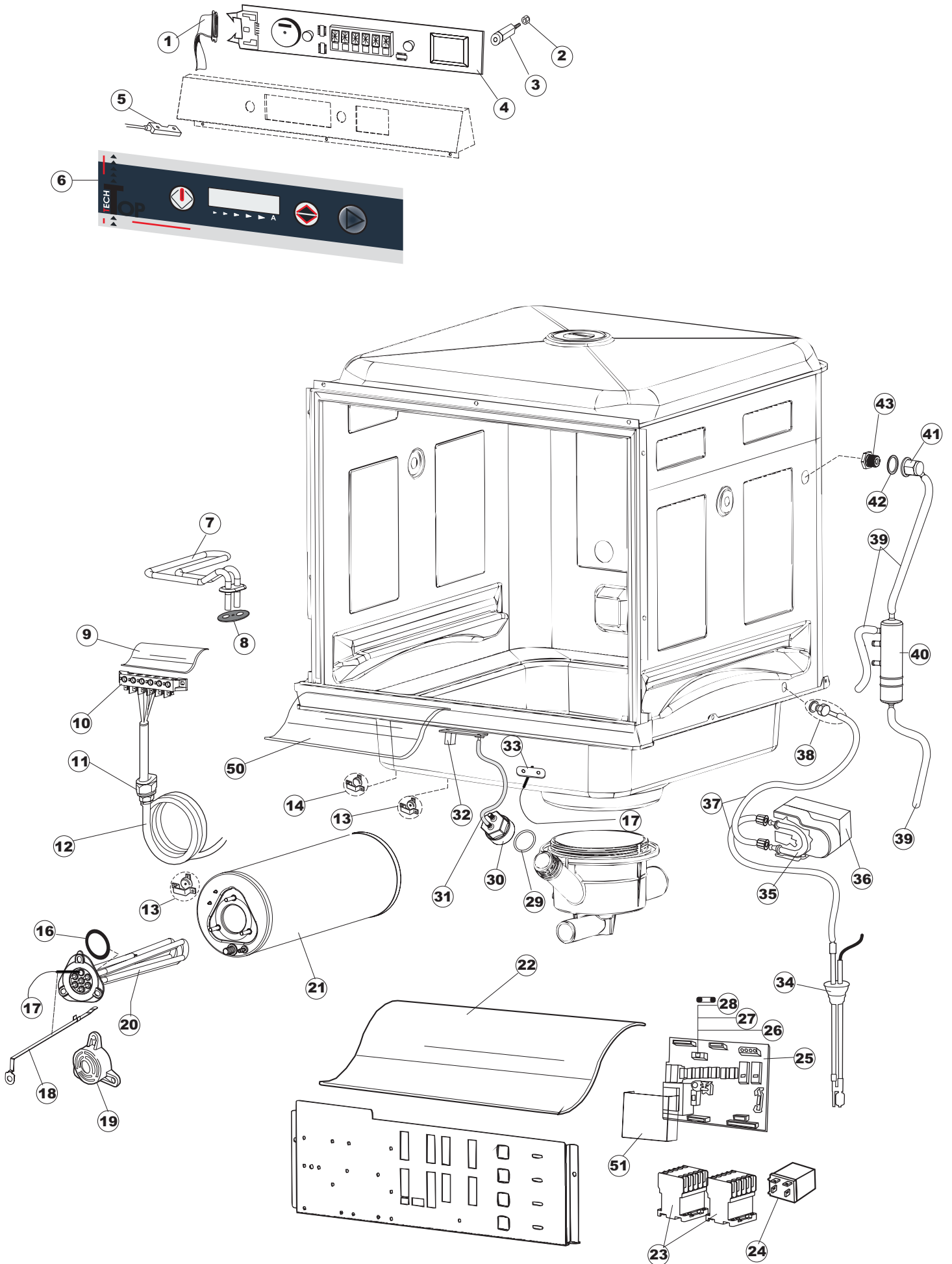
**Toptech-620**

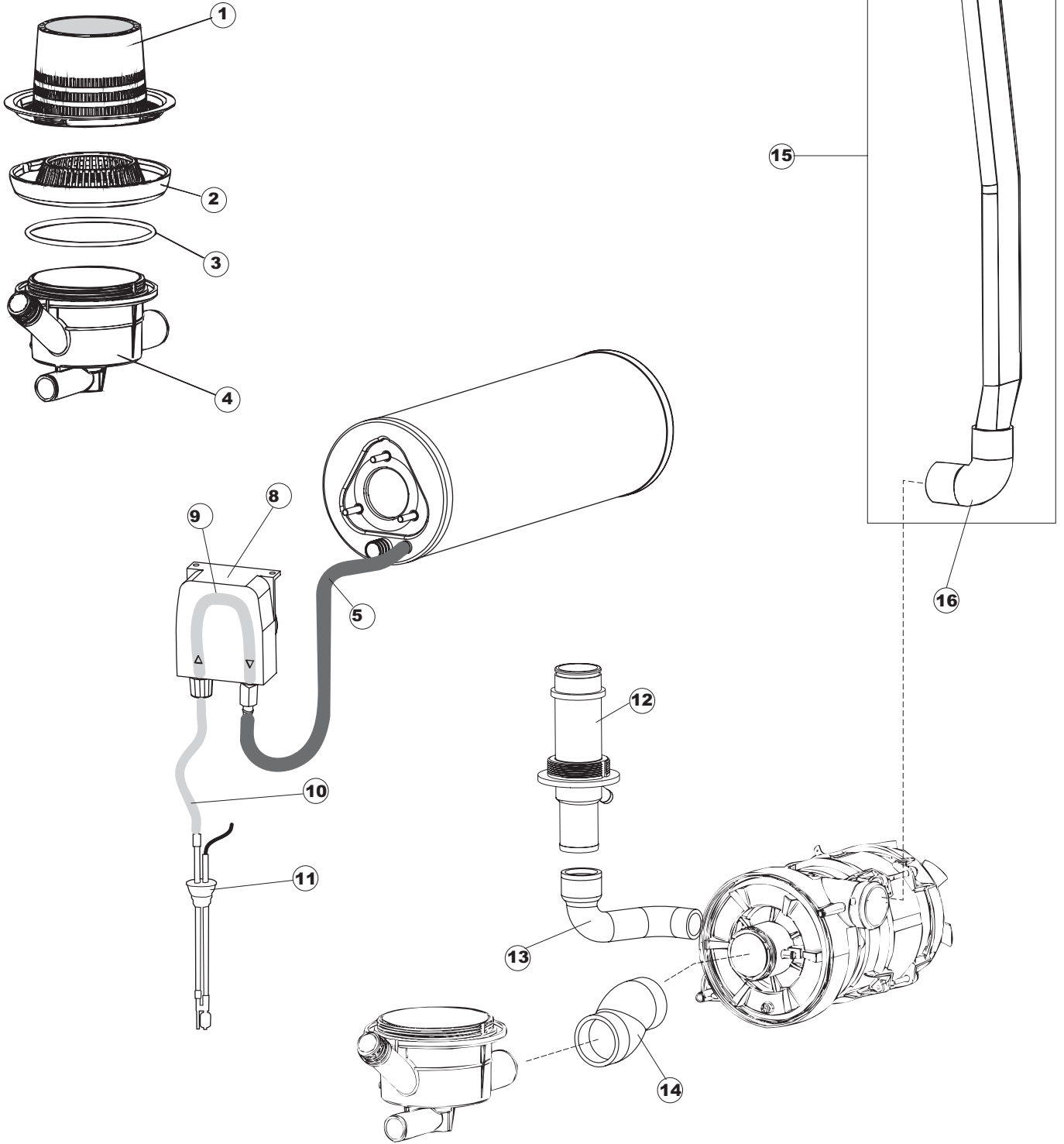
**Toptech-620CLS**

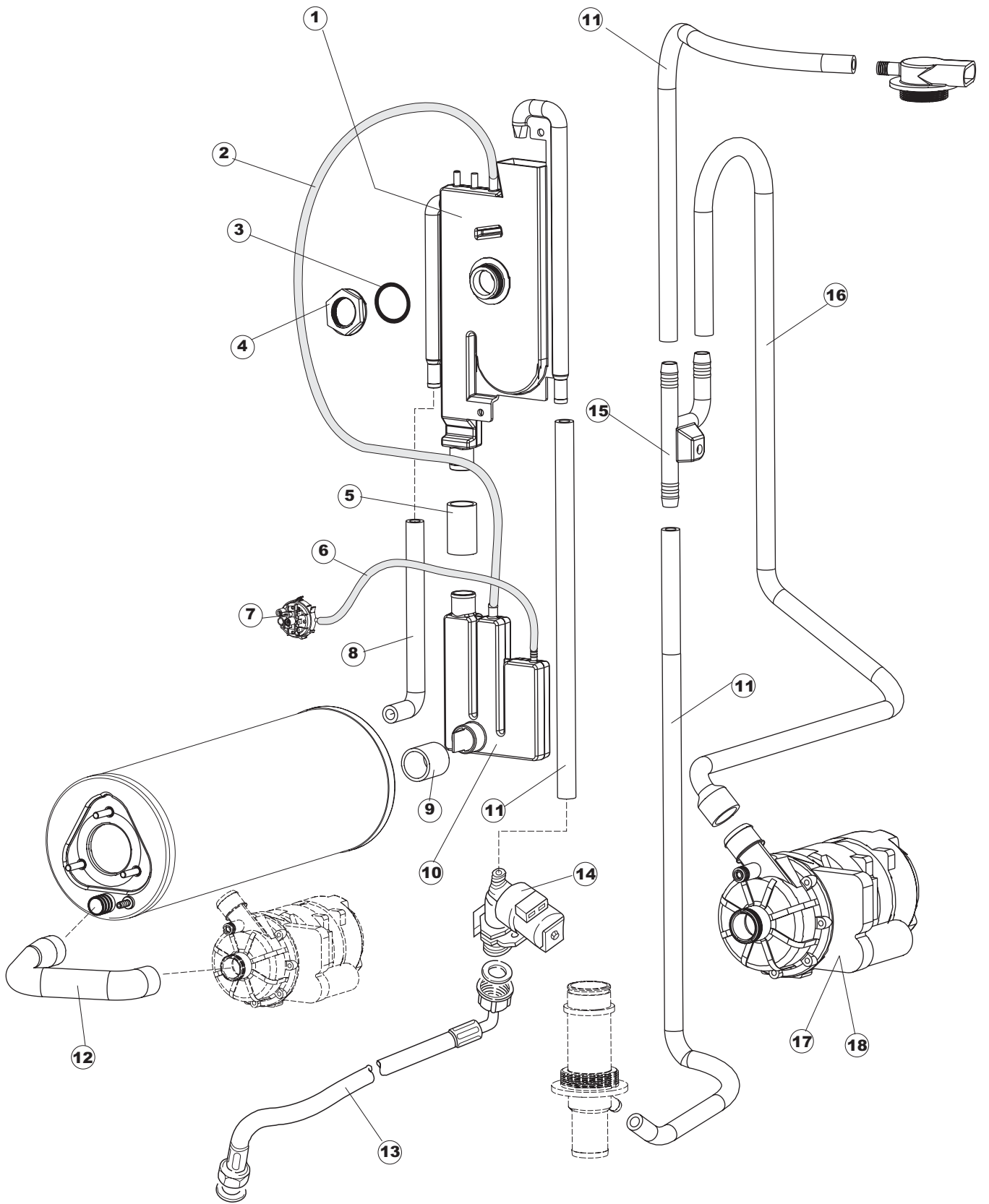
**05-07-2011**

# 1

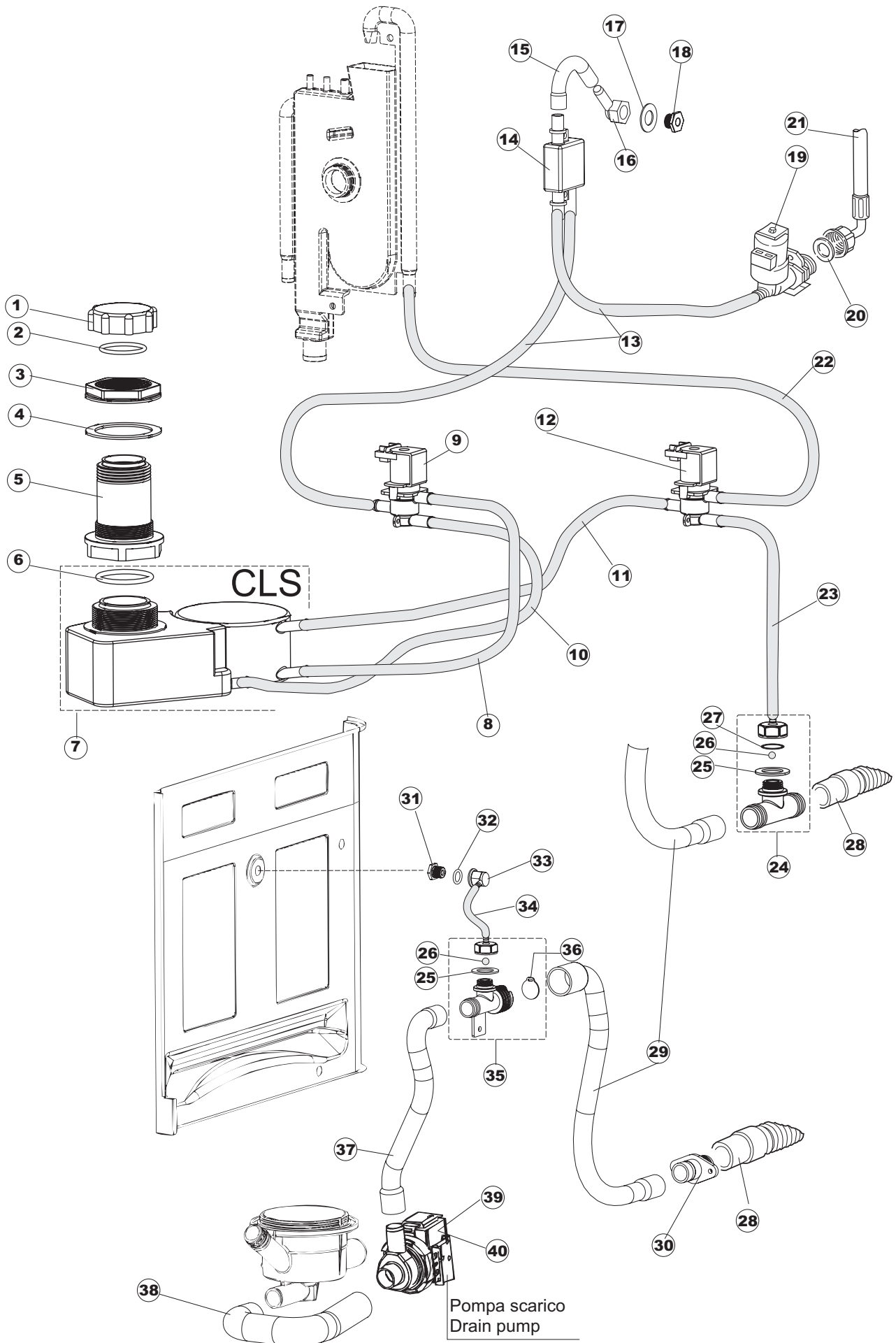




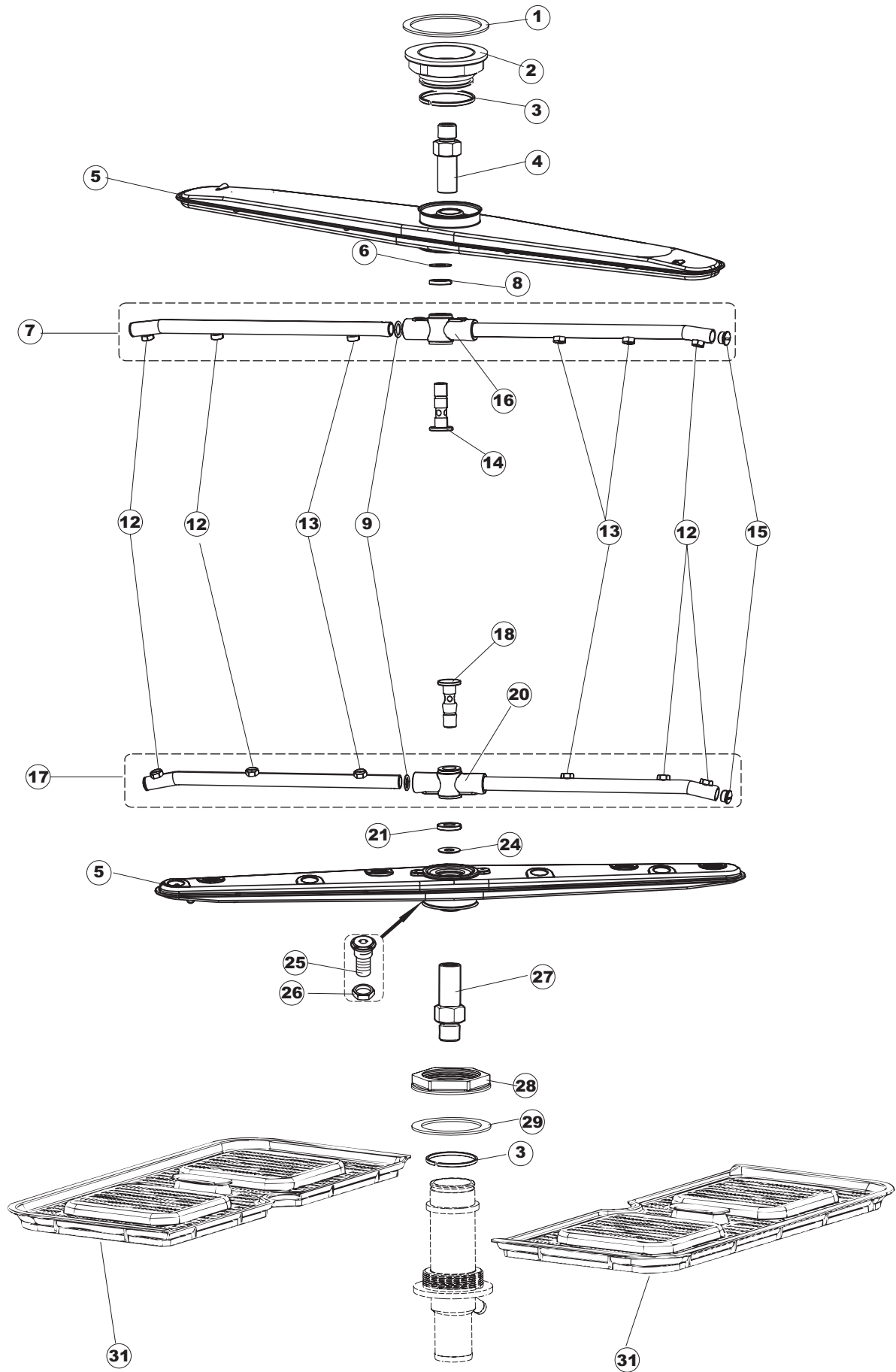


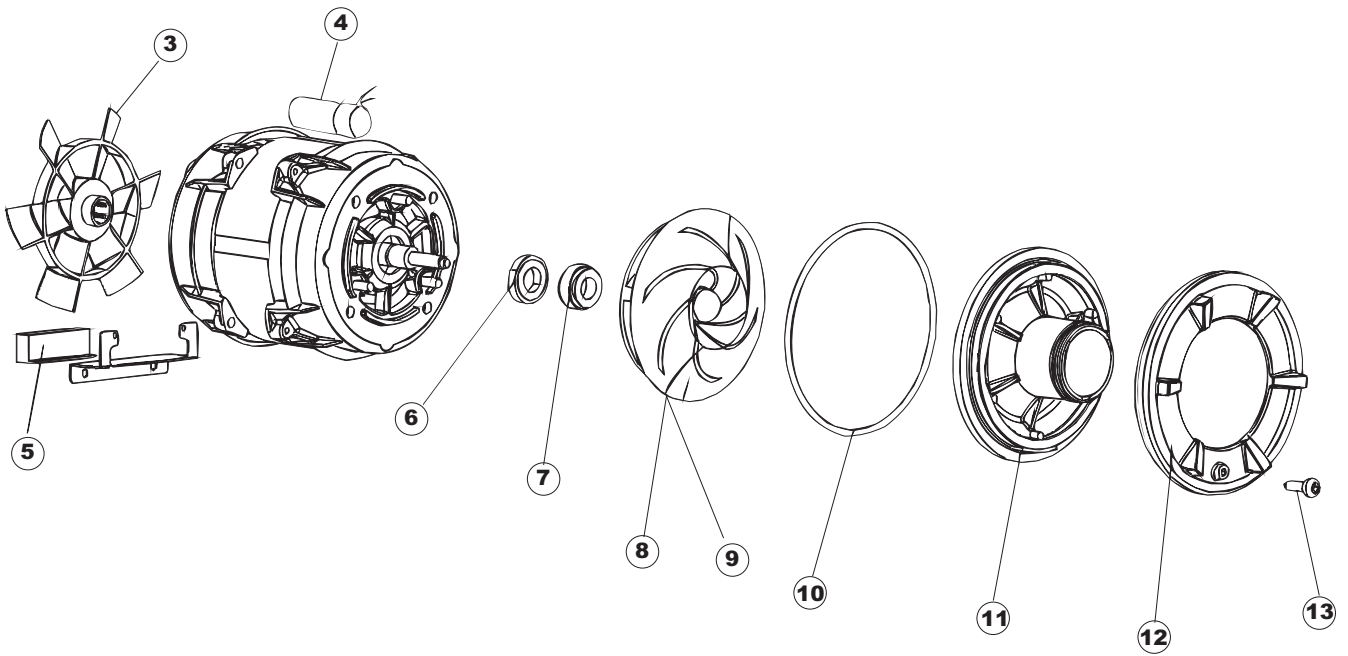
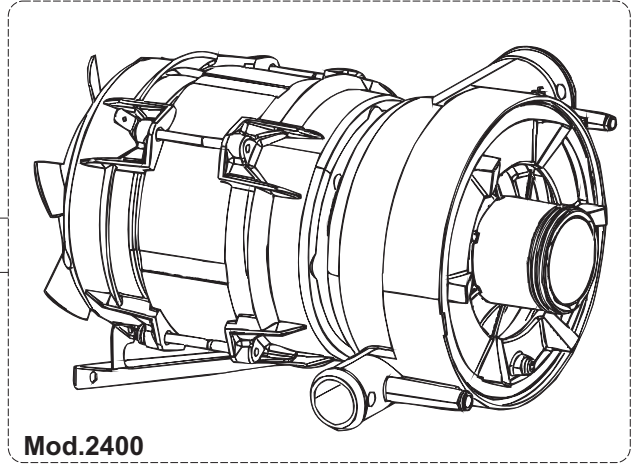






# 6





Pagina	Posizione	Codice	Vecchio codice	Descrizione	Um	Prezzo
1	1	004175		CAPPELLO LA50	NR	
1	2	021116		FIANCO SX.	NR	
1	3	021115		FIANCO DX.LA50	NR	
1	4	022146		PANNELLO POSTERIORE LA50	NR	
1	5	035083		STAFFA FISSA FIANCHI-CAPPELLO LA50	NR	
1	6	025929		PANNELLO COMANDI INOX PRO-TECH (LA50)	NR	
1	7	029554		PORTA LA50(COLGED)CPL.	NR	
1	8	310013		BLOCCHETTO CENTRAGGIO CERN-PERNO LA50	NR	
1	9	012318		FRONTALINO LA50	NR	
1	10	449063		MOLLA BILANCIAMENTO PORTA LA50	NR	
1	11	307014		BATTUTA X MOLLA BILANC.E CHIUSURA	NR	
1	12	035081		STAFFA COMP.ELETTRICI LA50	NR	
1	13	437103		GUARNIZIONE PORTA	NR	
1	14	999259		GRUPPO STAFFA+MOLLA BILANCIAM.PORTA	NR	
1	15	999260		GRUPPO STAFFA+MOLLA SAGOM.SX.PORTA LA50	NR	
1	16	449058		MOLLA SAGOMATA APERTURA/CHIUS.PORTA LA50	NR	
1	17	307015		BATTUTA ASTA PORTA LA50	NR	
1	18	040119		ZOCCOLO	NR	
1	19	461019	REB461019	PIEDINO REGOLABILE D30 M8	NR	
1	20	459006	REB459006	PASSACAVO Di9/De16 22	NR	
1	21	459004	REB459004	PASSATUBO GOMMA DI.34	NR	
2	1	211013		CAVO FLAT 10 VIE X PULS.SOFT TOUCH GET 5	NR	
2	2	417119		DADO M3 PLASTICA BIANCO	NR	
2	3	419036		SPACER	NR	
2	4	227083		SCHEDA COMANDI	NR	
2	5	80871		MICRO MAGNETICO	NR	
2	6	025937		POLIESTERE TOPTECH 620(LA50)	NR	
2	7	230112		RESISTENZA V 1400W-230V - LA50	NR	
2	8	437086	REB437086	GUARNIZIONE RESISTENZA VASCA	NR	
2	9	214088		PROTEZ.ELETTR.TRASP.CL.3	NR	
2	10	220011	REB220011	* MORSETTIERA 5.POLI + TERRA FV.122	NR	
2	11	459005	REB459005	FISSACAVO STEAB art.5024	NR	
2	12	H.374339-2		CAVO MACCHINA H07RN-F 5X2.5X3.0MT	NR	
2	13	236047	REB236047	TERM.CONTATTO /S.95ø+/-3ø	NR	
2	14	236052		TERM.CONTATTO BOILER/L.90ø+/-3ø(2611576)	NR	
2	16	456002	REB456002	OR 48x6,2	NR	
2	17	231016		SONDA TEMPERATURA	NR	
2	18	69871		PORTASONDA	NR	
2	19	69870		PROTEZIONE RESISTENZA BOILER	NR	
2	20	230117		RESISTENZA BOILER 7600W/400V	NR	
2	21	104061		BOILER CRP LA50	NR	
2	22	214108		PROTEZIONE TRASPARENTE PER IMPIANTO ELETTRICO PER LAVASTOVIGLIE	NR	
2	23	H.775599-001		* CONTATTORE QUADRIPOLARE 240V-50/60HZ	NR	
2	24	229029	REB229029	RELE` FINDER 65.31 230/50	NR	
2	25	215032-1		NON A LISTINO		
2	26	228012		FUSIBILE 5X20 T160MA	NR	
2	27	228004		FUSIBILE 5X20 4A FAST	NR	
2	28	228011		FUSIBILE 5X20 T2A	NR	
2	29	456073		OR(50825)CAMPANA PRESS.LA50	NR	
2	30	107013		CAMPANA PRESSOSTATO	NR	

2	31	143253		TUBO SILICONE 3X8	MT
2	32	224018		PRESSOSTATO ANALOGICO(SCHEDINA)LA50	NR
2	33	028105		PIASTRINA FERMA SONDA	NR
2	34	425012		LIVELLOSTATO ASPIRAZIONE WK1-2	NR
2	35	143258		TUBETTO 6X10	NR
2	36	999296		GRUPPO DOSATORE DETERG.(209028)	NR
2	37	143194	REB143194	TUBO 4x6 CRISTAL TRASPARENTE	MT
2	38	468151	DZR150NT	RACCORDO ENTRATA SAPONE CPL NM * SALDATO	NR
2	39	H.165178		TUBO PVC 5X8 CRUSTAL TRASPARENTE	NR
2	40	144028		SERBATOIO SOFT-START LA50	NR
2	41	468029	REB468029	RACCORDO CAMPANA PRESSOSTATO	NR
2	42	456020	REB456020	OR 3050 R495	NR
2	43	429076		GHIERA VALVOLA SFIATO PS LA50	NR
2	50	214109		PROTEZIONE TRASPARENTE PER IMPIANTO ELETTRICO PER LAVASTOVIGLIE	NR
2	51	214110		PROTEZIONE SCHEDA ELETTRONICA LA50	NR
3	1	121135		GRUPPO FILTRO RIVER-TOPTECH CRP-SP	NR
3	2	429072		GHIERA CORPO ASPIR./SCARICO LA50	NR
3	3	456076		OR.D.I.135.9X5.33 ART.53125	NR
3	4	136028		CORPO ASPIR./SCARICO LA50	NR
3	5	143005	SPG10	TUBO PRESS.TP 5x11 (CASER/15/NL C4N)	MT
3	8	999309		GRUPPO DOSATORE BRILL.(209033)	NR
3	9	143261		TUBETTO SIL.5X10 MP2NERO+V.I(RR.005.119)	NR
3	10	H.775601		TUBO 4x6 CRISTAL BLUE PVC	MT
3	11	425012		LIVELLOSTATO ASPIRAZIONE WK1-2	NR
3	12	115143		CONDOTTO CENTRALE INF.LA50 TAPPO DOS.	NR
3	13	127085		MANICOTTO MANDATA INF.LA50	NR
3	14	127082		MANICOTTO ASPIRAZIONE	NR
3	15	115140		CONDOTTA.LAV.SALD.LA50	NR
3	16	127084		MANICOTTO MANDATA SUP.LA50	NR
4	1	144021		AIRGAP SPECIALE LA50	NR
4	2	H.165168		TUBO PVC 6X9 CRISTAL TRASP. RAUCLAIR	MT
4	3	437104		GUARNIZIONE D45D33S2 EPDM 70SH	NR
4	4	417125		DADO IN PLAST.CON COLLARE(171571)	NR
4	5	127096		MANICOTTO BREAK TANK->SISTEMA CRP LA50	NR
4	6	143235		TUBO 4x7 SILICONE TRASPARENTE CRP	MT
4	7	224024		PRESSOSTATO 35/22	NR
4	8	127098		MANICOTTO SFIATO BOILER CRP->BT	NR
4	9	127095		MANICOTTO BOILER->SISTEMA CRP	NR
4	10	144032		SISTEMA CARICAMENTO CRP CON CAMP.PRESS.	NR
4	11	143004	REB143004	TUBO PRESS.TP 10X17 (CASER/15NL C4N)	MT
4	12	69068		MANICOTTO ASPIRAZ.CRP LA50	NR
4	13	929169	RAT32	TUBO DI CARICO DEL TERMOPLASTICO	NR
4	14	240018		VALVOLA DI CARICO 1 VIA CRP	NR
4	15	143173	REB143173	GIUNZIONE RISC.PLAST.35/40/50	NR
4	16	127097		MANICOTTO MANDATA POMPA CRP->H	NR
4	17	80627		ELETTROPOMPA 200W 230V-1PH-50HZ CON CONDENSATORE (4UF)	NR
4	18	80629		ELETTROPOMPA 200W 220/240V-1PH-60HZ CON CONDENSATORE (4UF)	NR
5	1	480005	REB480005	TAPPO BOCCIA SALE	NR
5	2	456052	REB456052	OR 144	NR
5	3	429073		GHIERA FISSA CONDOTTO INF.LA50	NR
5	4	437102		GUARNIZIONE CONDOTTO INFER.LA50	NR
5	5	466006		PROLUNGA DOSATORE IDRAULICO	NR
5	6	456079		OR DECALCIFICATORE	NR
5	7	117008		DECALCIFICATORE TYPE425+FASTON	NR
5	8	127100		MANICOTTO INGRESSO ADDOLC.ADG	NR

5	9	999288		GRUPPO VALVOLA DEVIATR.CON RIDUTTORE	NR
5	10	127099		MANICOTTO RIGENERAZIONE	NR
5	11	127101		MANICOTTO INGRESSO ADDOLC.ADG	NR
5	12	240020		VALVOLA 2 VIE(DEPURATORE)LA50 ADG	NR
5	13	143004	REB143004	TUBO PRESS.TP 10X17 (CASER/15NL C4N)	MT
5	14	H.324091		DISPOSITIVO A/R	NR
5	15	127094		MANICOTTO SFIATO VALVOLA DVGW	NR
5	16	468165	REB468165	PIPA RACCORDO PLASTICA 35/40/22	NR
5	17	437078	REB437078	GUARNIZIONE DOSAT.E35/.RISC.SUP.	NR
5	18	429075		GHIERA SFIATO VALVOLA DVGW LA50	NR
5	19	240021		ELETTROVALVOLA DI CARICO - 1 VIA CRP	NR
5	20	437041	REB437041	GUARNIZIONE 3/4 GAS CARICO	NR
5	21	929169	RAT32	TUBO DI CARICO DEL TERMOPLASTICO	NR
5	22	127103		MANICOTTO INGRESSO BT ADDOLC.ADG	NR
5	23	127102		MANICOTTO DI CONNESS.A"T"DI SCARICO	NR
5	24	144993		GRUPPO VALVOLA DI SFIATO	NR
5	25	437083		GUARNIZIONE GOMMA D32D19.5S1.5	NR
5	26	476008		SFEROA VALVOLA LA50. HOST	NR
5	27	456015	REB456015	OR 112 9.92X2.62	NR
5	28	143137	REB143137	TUBO SCARICO D18 TERM.LE CURVO	NR
5	29	127093		MANICOTTO VALVOLA SFIATO>FLANGIA ZOCC.	NR
5	30	468152	REB468152	RACCORDO SCARICO CLEAN.3	NR
5	31	429076		GHIERA VALVOLA SFIATO PS LA50	NR
5	32	456020	REB456020	OR 3050 R495	NR
5	33	468029	REB468029	RACCORDO CAMPANA PRESSOSTATO	NR
5	34	143235		TUBO 4x7 SILICONE TRASPARENTE CRP	MT
5	35	144995		GRUPPO VALVOLA DI SFIATO X PS LA50	NR
5	36	499092		MEMBRANA VALVOLA SFIATO PS LA50	NR
5	37	127092		MANICOTTO P./SCARICO>VALVOLA SFIATO	NR
5	38	127087		MANICOTTO GOMMA POMPA SC.LA50	NR
5	39	130177		POMPA SCARICO 50HZ	NR
5	40	80117UL		ELETTROPOMPA SCARICO 220-240V/50HZ MONOFASE 40W (DPS35-601-0433)UL	NR
6	1	437113		GUARNIZIONE CORPO INFERIORE PER LAVABICCHIERI	NR
6	2	429069	REB429069	GHIERA COND.CENTRALE X5	NR
6	3	303032		ANELLO INOX DI TENUTA LAVAGGIO X5	NR
6	4	325070		PROLUNGA PERNO RISC.SUP.X5	NR
6	5	80345		GR.PETTINE LAVAGGIO INOX NM	NR
6	6	80623		ANELLO IN TEFLON 22X9,5X1	NR
6	7	69638		GRUPPO RISC.SUP.ULTRA RINSE LA50	NR
6	8	80697		GHIERA ULTRA RINSE INOX	NR
6	9	456019	REB456019	OR 2037	NR
6	12	80657		SPRUZZATORE RISCIAQUO INOX	NR
6	13	80656		SPRUZZATORE RISCIAQUO INOX	NR
6	14	80699		PERNO LANCIA ULTRA RINSE INOX	NR
6	15	80687		TAPPO LATERALE ULTRA RINSE INOX	NR
6	16	999315		GRUPPO CORPETTO+CUSCINETTO SUP.U.R.	NR
6	17	69631		GRUPPO RISC.INF.ULTRA RINSE LA50	NR
6	18	80696		PERNO LANCIA ULTRA RINSE INOX	NR
6	20	999314		GRUPPO CORPETTO+CUSCINETTO INF.U.R.	NR
6	21	80679		GHIERA ULTRA RINSE INOX	NR
6	24	80622		ANELLO IN TEFLON 22X11,5X1	NR
6	25	417111		BUSSOLA PETTINE LAV.X5	NR
6	26	308031		GHIERA BUSSOLA LAVAGGIO X5	NR
6	27	80648		PERNO RISC.UNTRA RINSE TOPTECH	NR
6	28	429073		GHIERA FISSA CONDOTTO INF.LA50	NR

6	29	437102		GUARNIZIONE CONDOTTO INFER.LA50	NR
6	31	121121		FILTRO VASCA INOX INTEGRALE LA50 CPL	NR
7	1	130982		POMPA LAVAGGIO	NR
7	2	130981		POMPA LAVAGGIO	NR
7	3	335015		VENTOLA POMPA 2400	NR
7	4	206002	REB206002	CONDENSATORE DA 10 mF	NR
7	5	478062		SUPPORTO ELASTICO POMPA LA50	NR
7	6	141008		TENUTA MECCANICA PER POMPA DI LAVAGGIO PER LAVABICCHIERI	NR
7	7	141009		TENUTA MECCANICA PER POMPA DI LAVAGGIO PER LAVABICCHIERI	NR
7	8	124057		GIRANTE+INSERTO POMPA(2398R)	NR
7	9	124060		GIRANTE+INSERTO POMPA(2398R)60HZ	NR
7	10	456078		OR.POMPA(2402R)3.53X170.5	NR
7	11	480148		TAPPO CHIOCCIOLA POMPA(2399R)	NR
7	12	429074		GHIERA FILETTATA POMPA(2434R)	NR