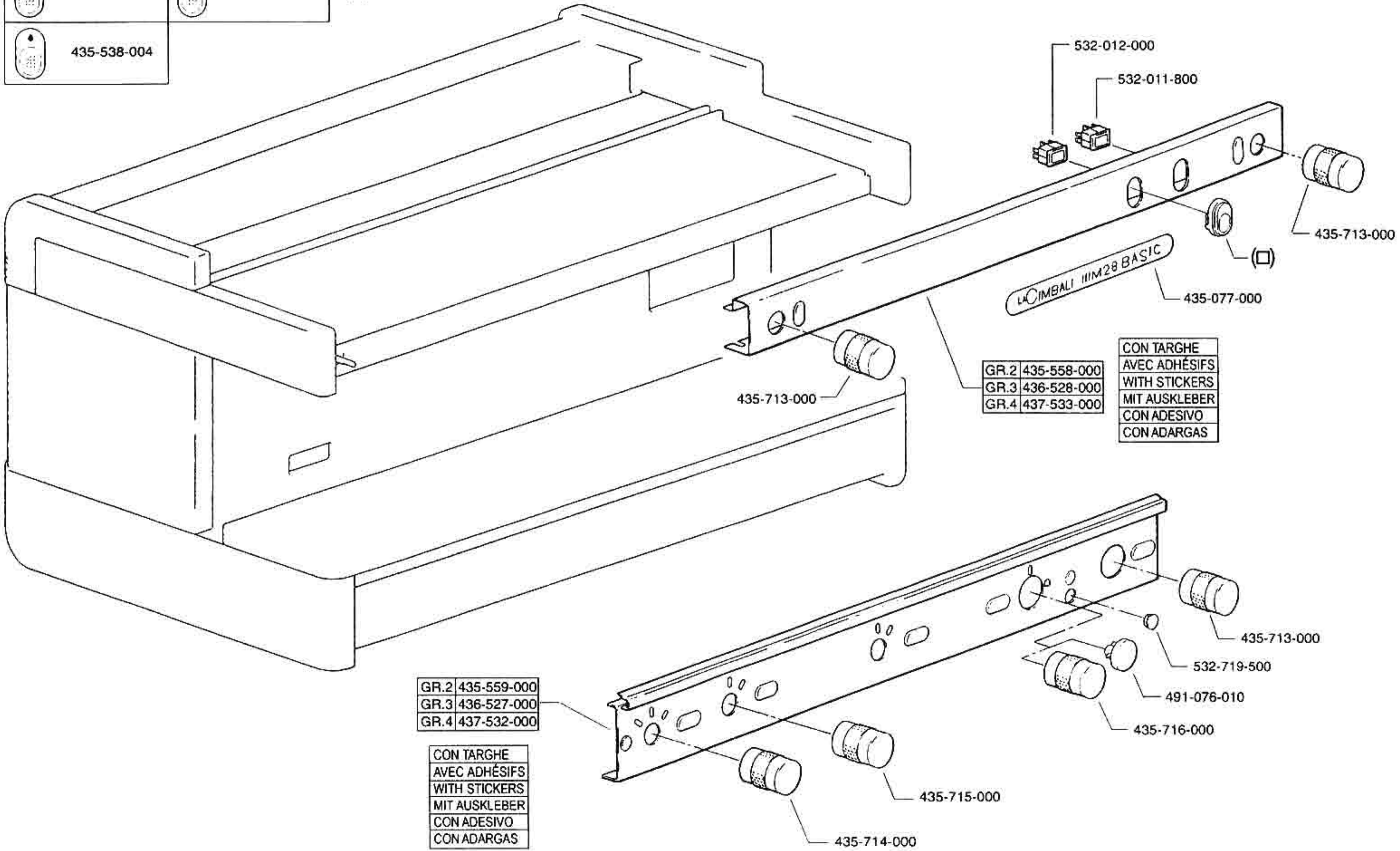
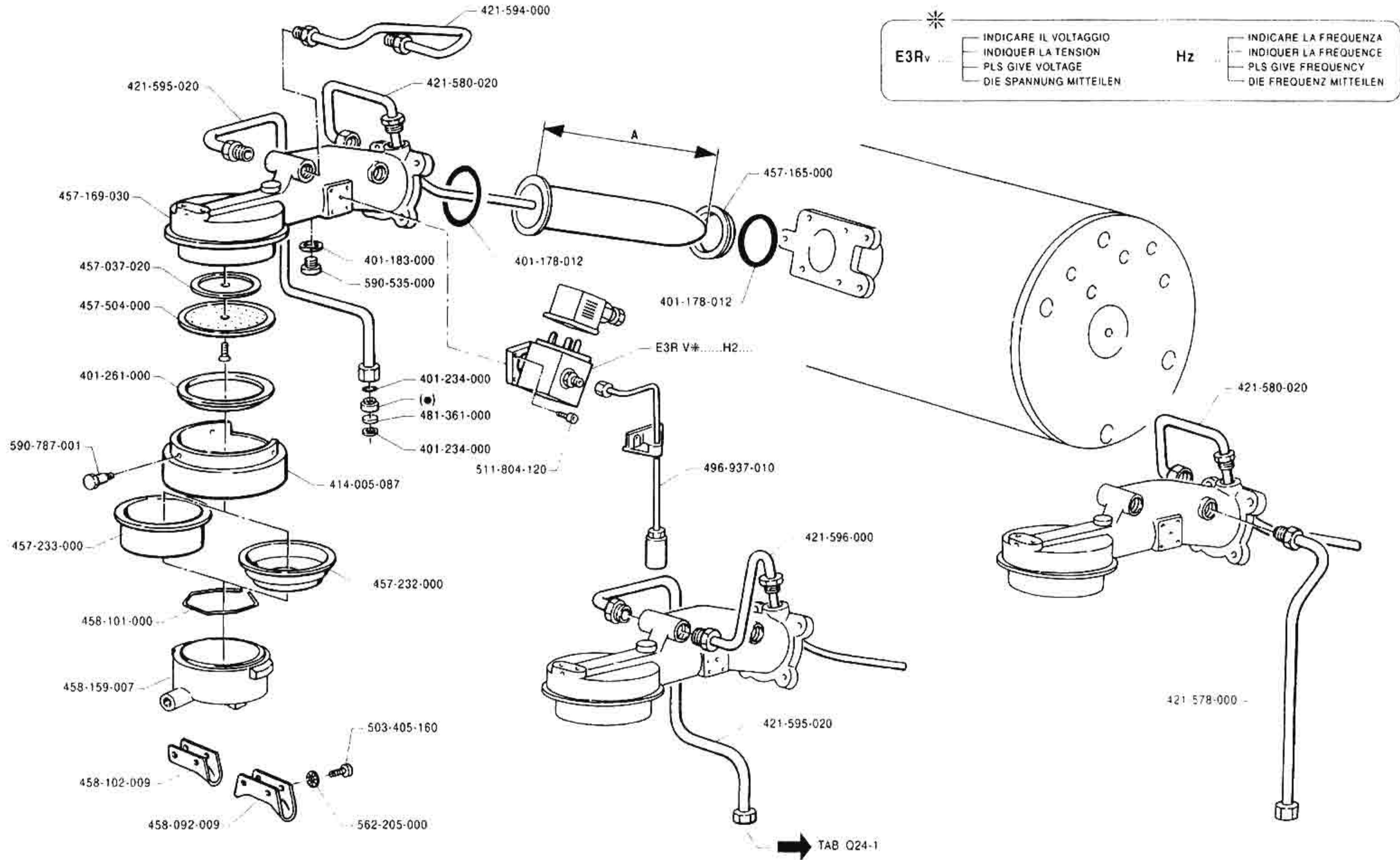
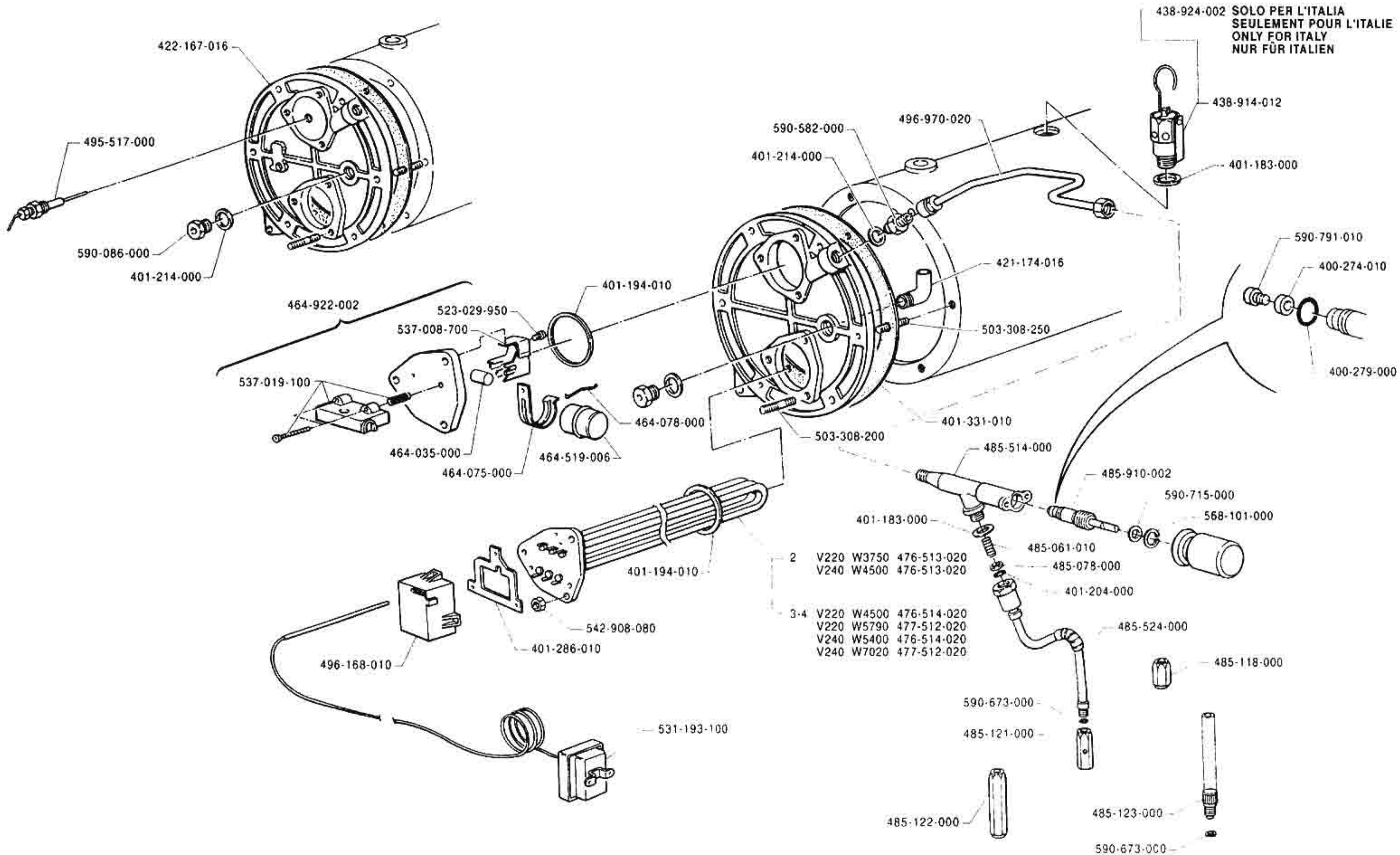


	435-074-000		435-554-004
	435-538-004		

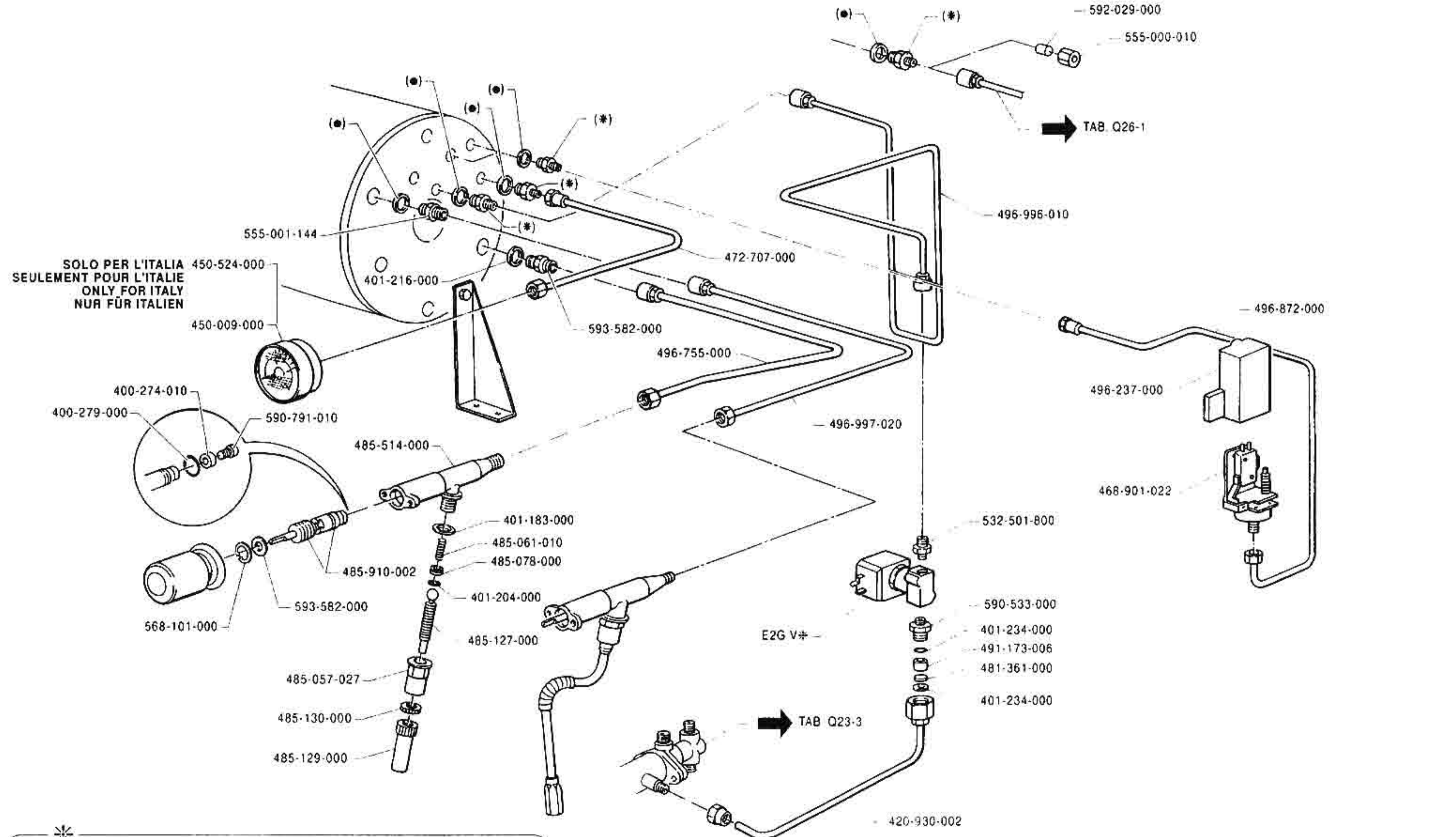




(A) = 150 mm 457-177-006
 210 mm 457-207-006
 (●) Ø 0.5 = 491-150-000
 Ø 0.8 = 491-173-006



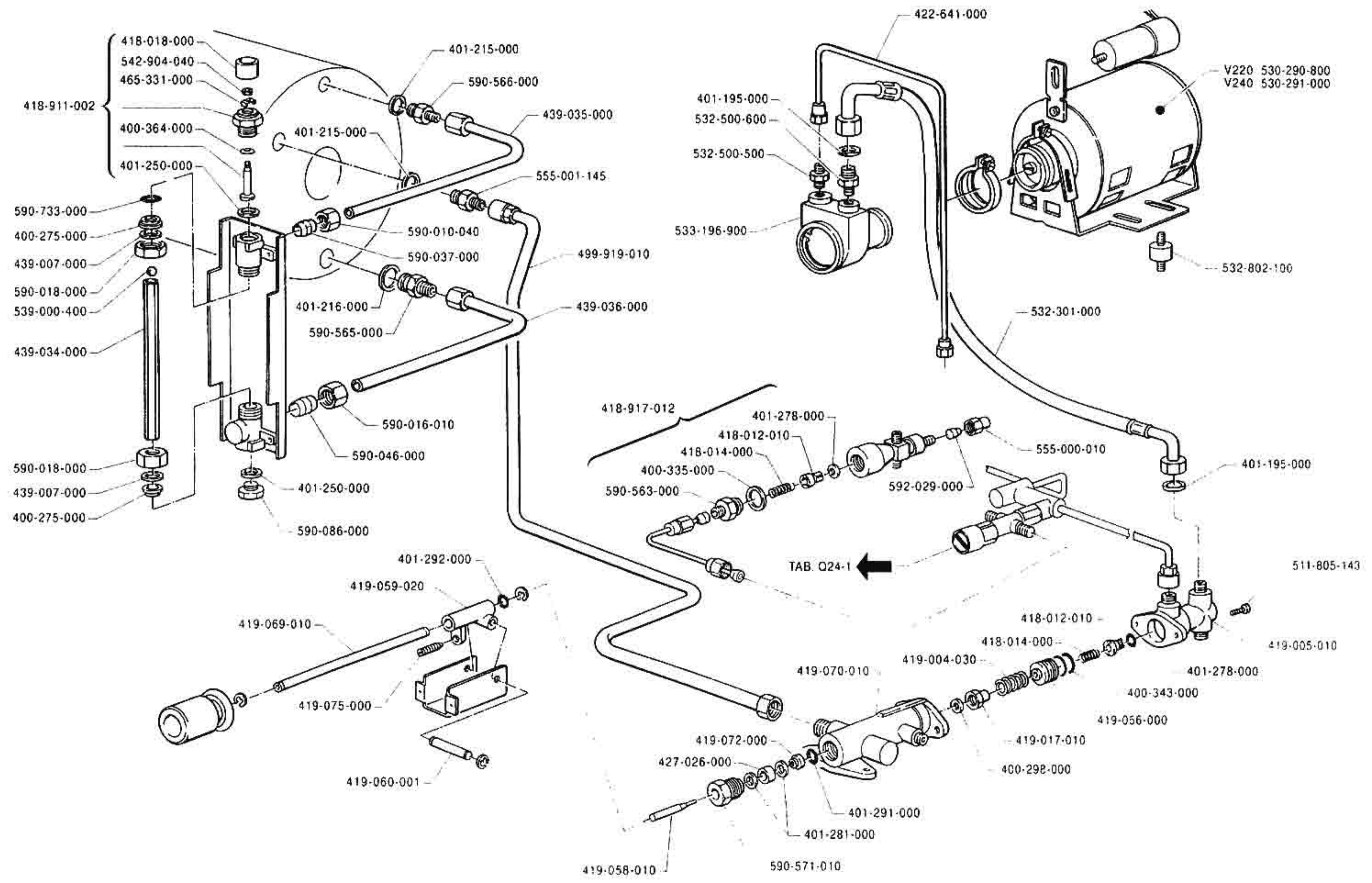
EQUIPAGGIAMENTO CALDAIA **/// M28 SELECTRON • BASIC** LA Cimbali



SOLO PER L'ITALIA
SEULEMENT POUR L'ITALIE
ONLY FOR ITALY
NUR FÜR ITALIEN

<p>* E2Gv.....</p> <ul style="list-style-type: none"> --- INDICARE IL VOLTAGGIO --- INDIQUER LA TENSION --- PLS GIVE VOLTAGE --- DIE SPANNUNG MITTEILEN 	<p>Hz.....</p> <ul style="list-style-type: none"> --- INDICARE LA FREQUENZA --- INDIQUER LA FRÉQUENCE --- PLS GIVE FREQUENCY --- DIE FREQUENZ MITTEILEN
---	---

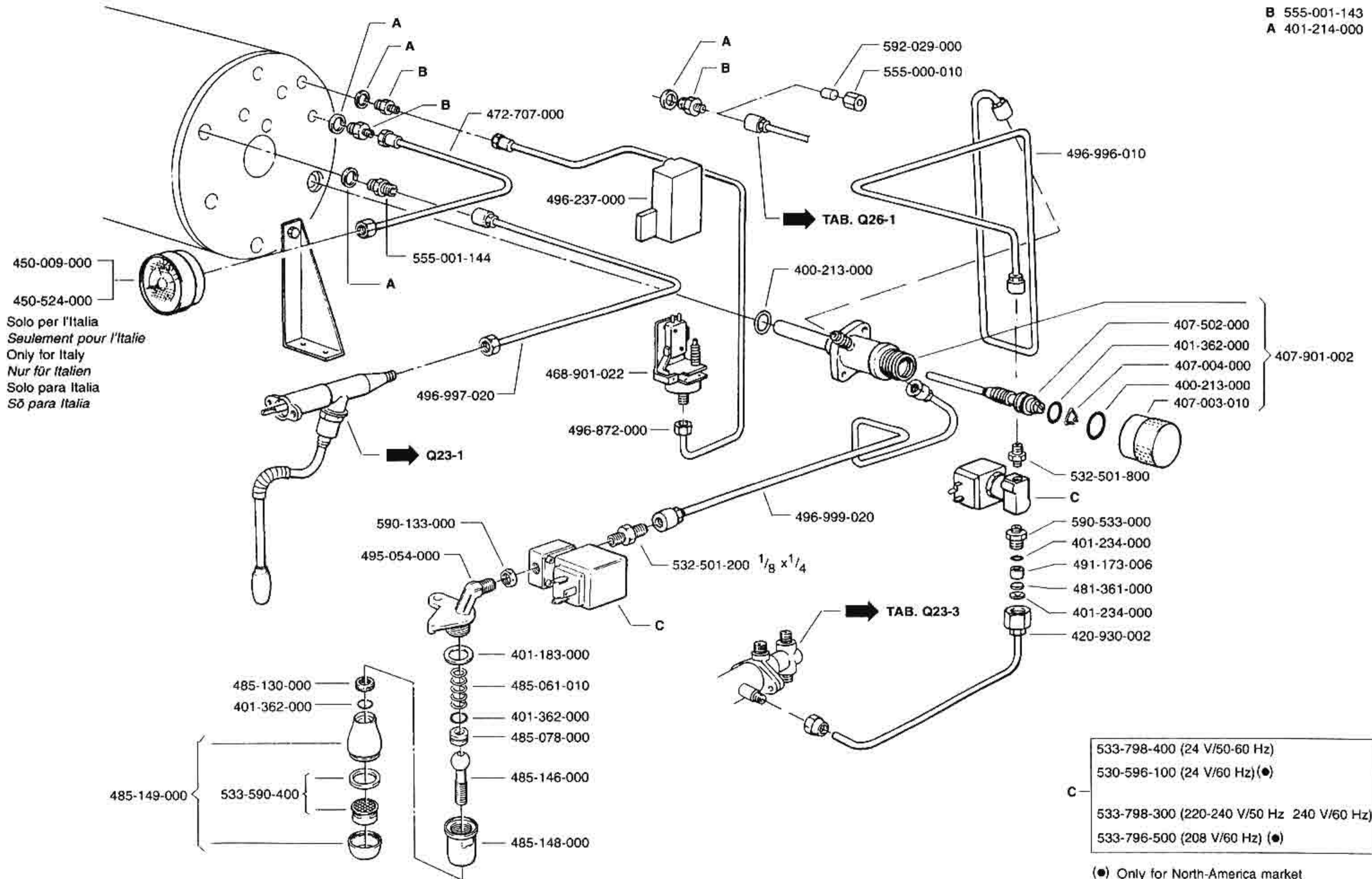
(*) 555-001-143
(●) 401-214-000



EQUIPAGGIAMENTO CALDAIA M28 SELECTRON-BASIC

LA CIMALI

B 555-001-143
A 401-214-000



M 28

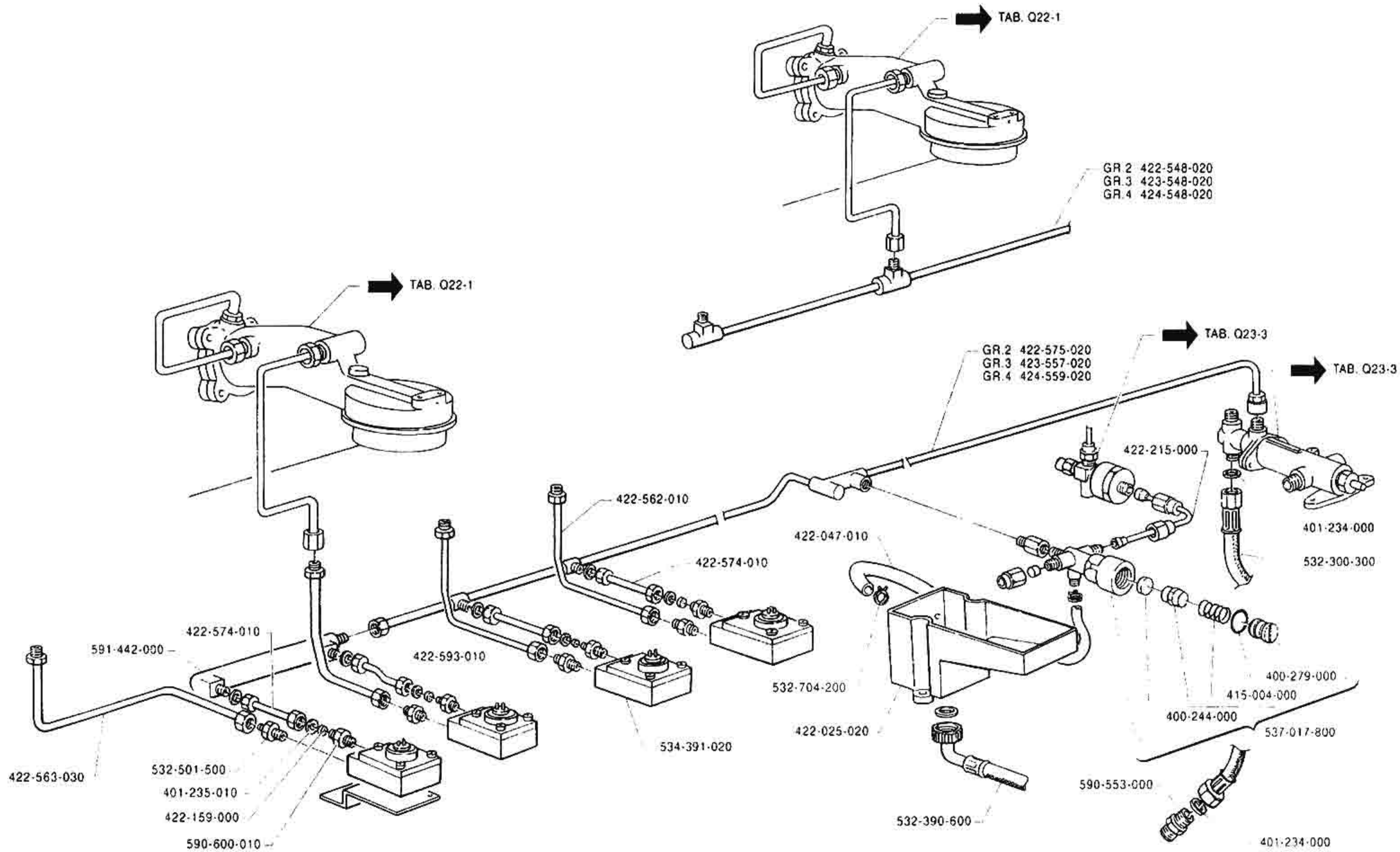
EQUIPO DE CALDERA
EQUIPAMENTO DA CALDEIRA

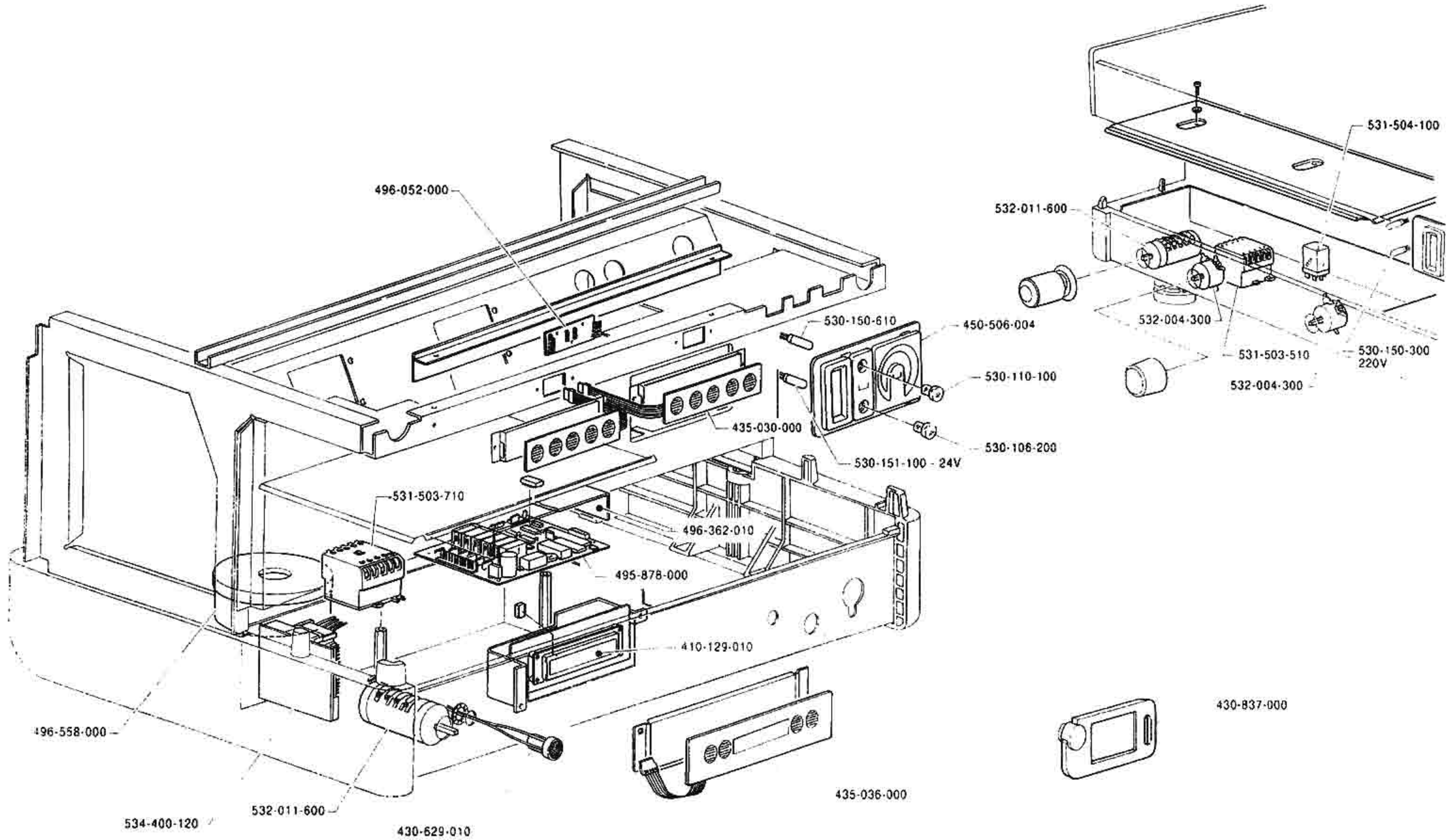
BOILER EQUIPMENT
KESSEL-AUSRÜSTUNG

EQUIPAGGIAMENTO CALDAIA
EQUIPEMENT CHAUDIERE

ED. 06-99
AUSGABE

TAB. Q23-4





A GAS

