

	A/1	A/2	A/3	A/4
⑤	475-048-008	476-012-008	477-012-008	478-012-008
⑥	475-061-008	476-023-008	477-020-008	478-020-008
⑦	475-049-004	476-013-004	477-013-004	478-013-004
⑧	475-502-000	476-021-000	477-019-000	478-019-000
⑨	475-019-000	476-002-000	477-002-000	478-002-000
⑩	475-020-004	476-003-004	477-003-004	478-003-004

⑪ PER MACCHINA A 1 GRUPPO
 POUR MACHINE A 1 GROUPE
 FOR MACHINE WITH 1 UNIT
 FÜR 1 GRUPPIG MASCHINE

GRUPPI N° 1 475-033-004
 GROUPES N° 2 476-005-004
 UNITS N° 3 477-005-004
 GRUPPEN N° 4 478-005-004

ROSSO

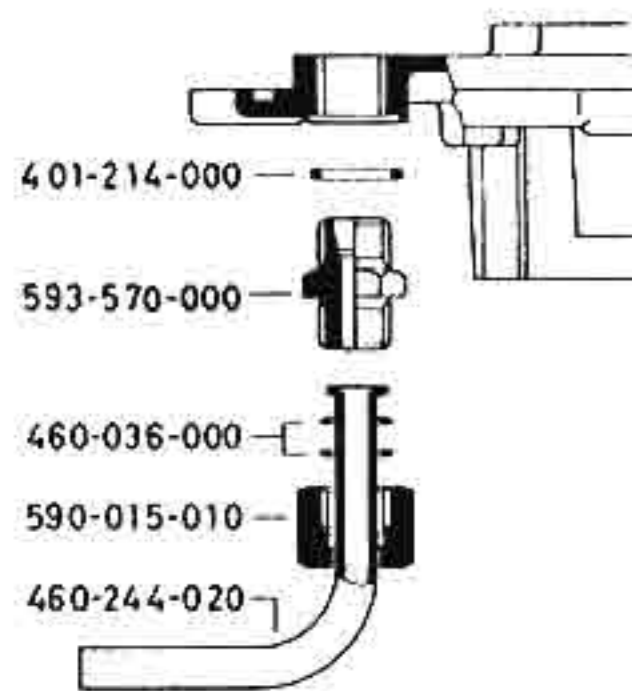
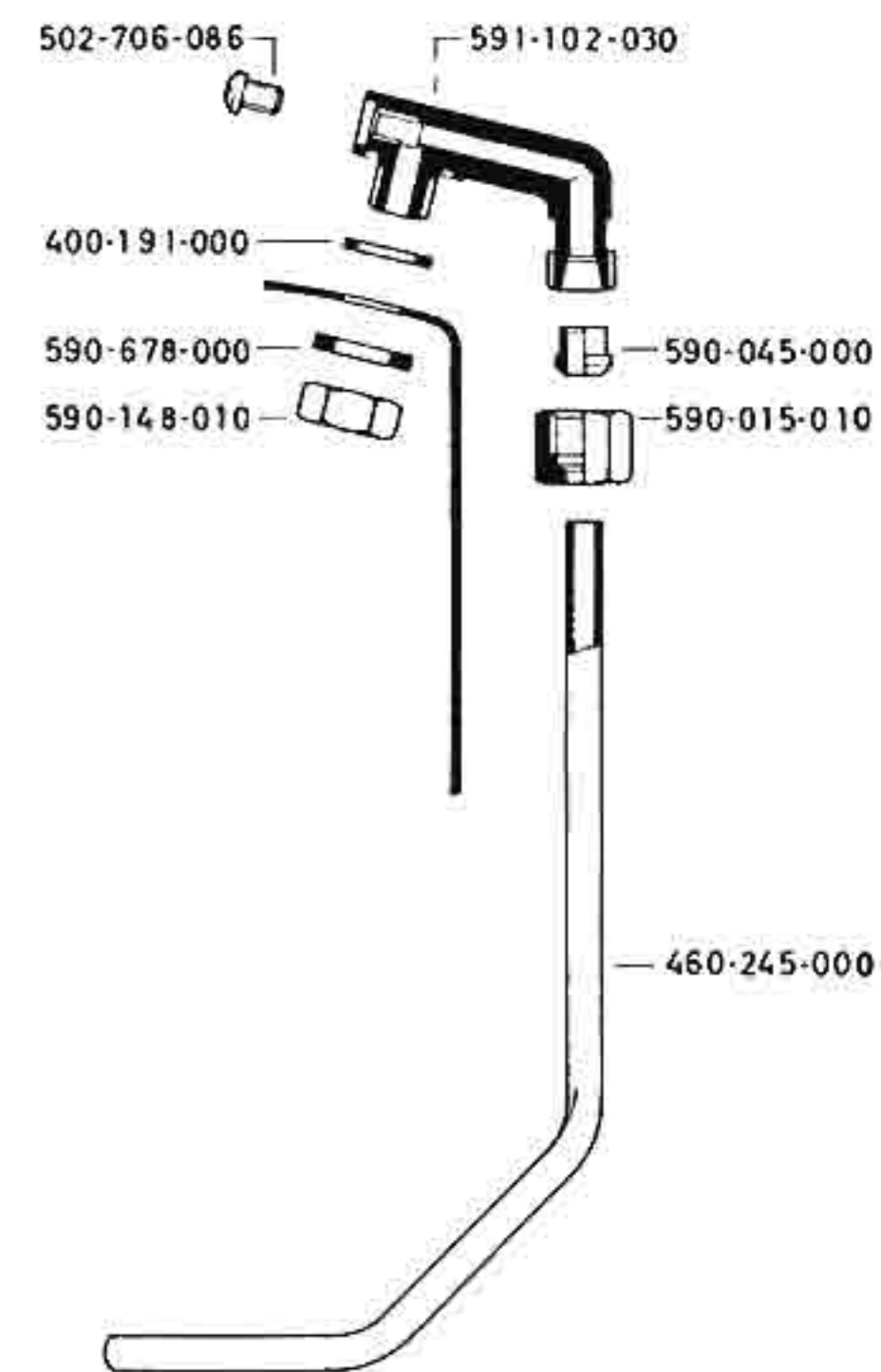
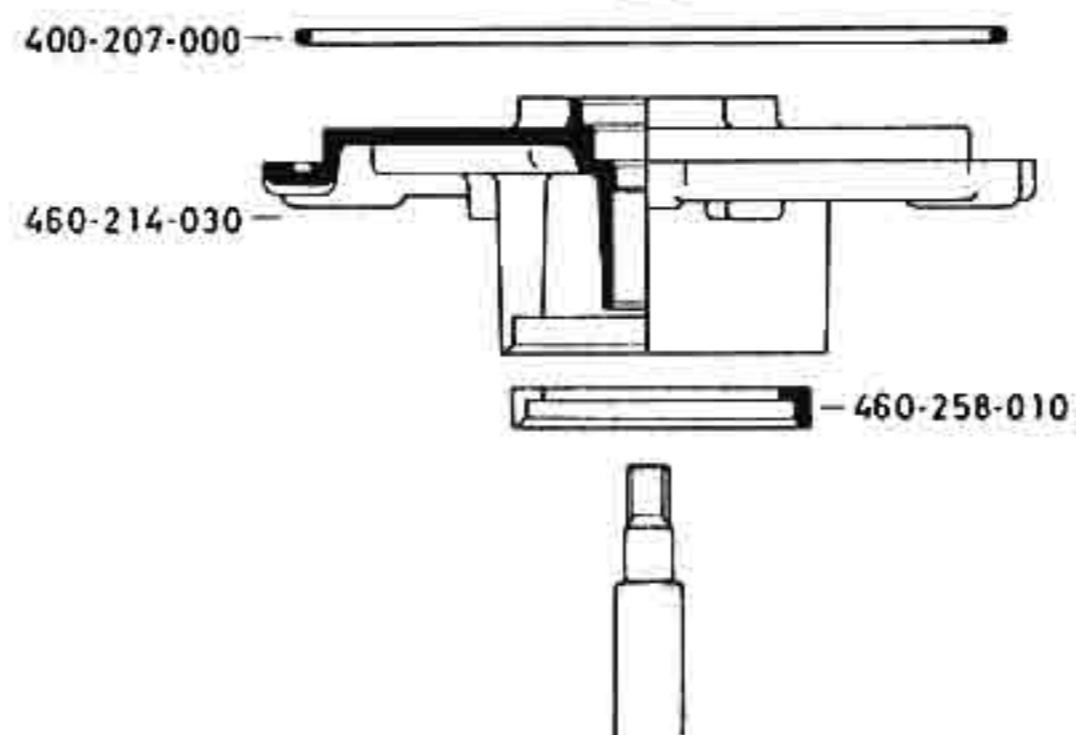
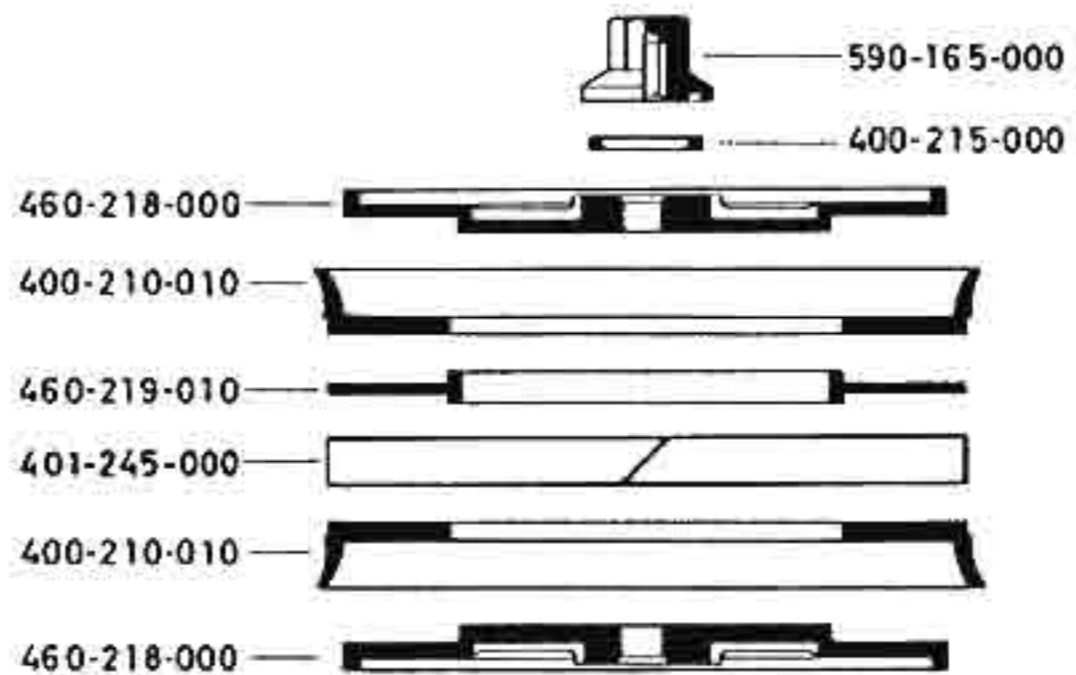
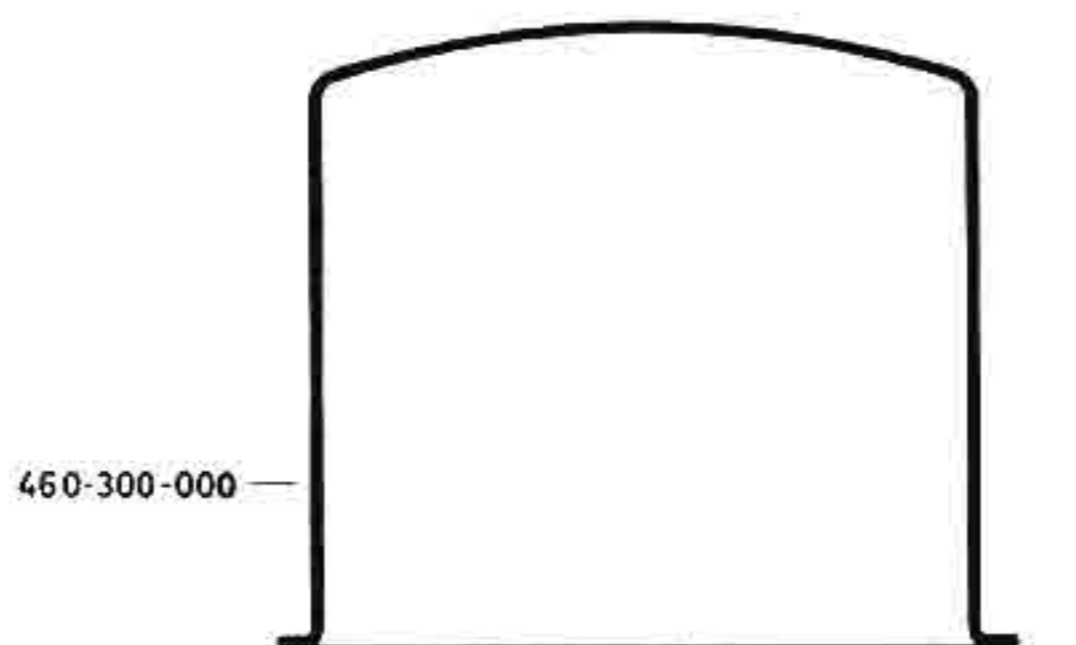
	A/1	A/2	A/3	A/4
①	475-002-004	475-002-004	475-002-004	475-002-004
②	475-050-004	476-014-004	477-014-004	478-014-004
③	475-051-004	476-015-004	477-015-004	478-015-004
④	475-003-004	475-003-004	475-003-004	475-003-004

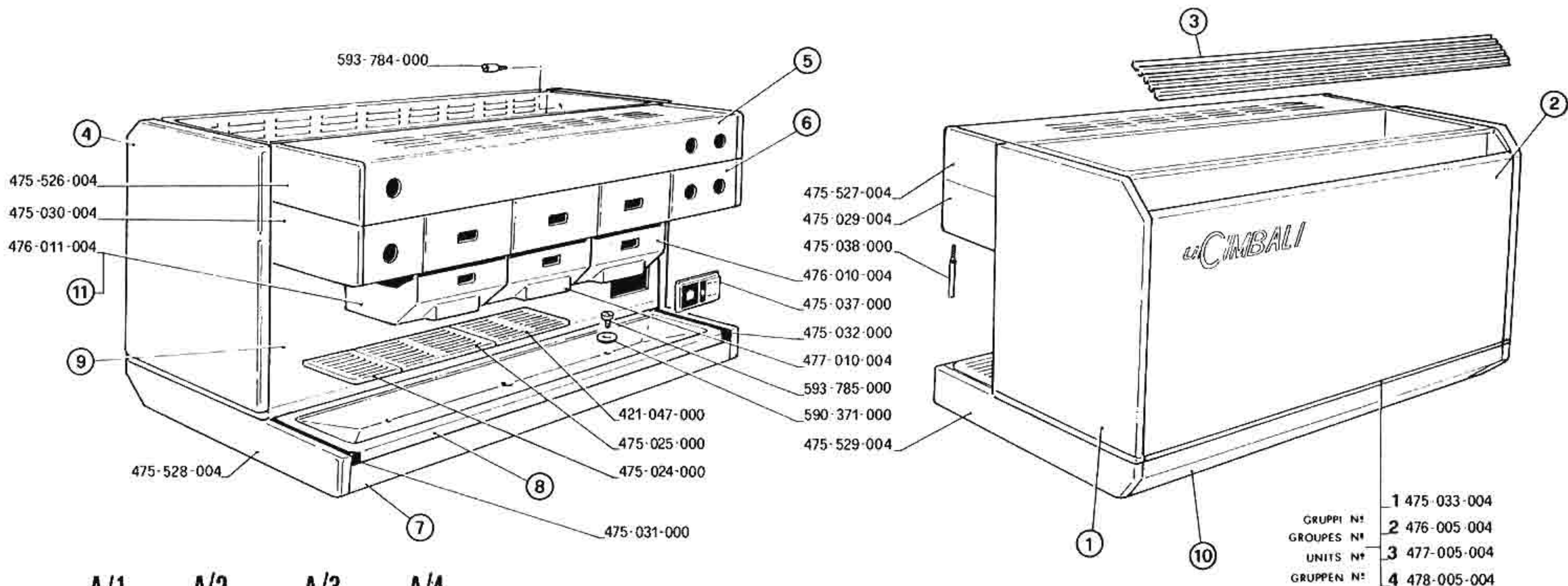
SILVER

	A/1	A/2	A/3	A/4
①	475-002-008	475-002-008	475-002-008	475-002-008
②	475-050-008	476-014-008	477-014-008	478-014-008
③	475-051-008	476-015-008	477-015-008	478-015-008
④	475-003-008	475-003-008	475-003-008	475-003-008

GOLD

	A/1	A/2	A/3	A/4
①	475-002-009	475-002-009	475-002-009	475-002-009
②	475-050-009	476-014-009	477-014-009	478-014-009
③	475-051-009	476-015-009	477-015-009	478-015-009
④	475-003-009	475-003-009	475-003-009	475-003-009





	A/1	A/2	A/3	A/4
⑤	475-048-008	476-012-008	477-012-008	478-012-008
⑥	475-061-008	476-023-008	477-020-008	478-020-008
⑦	475-049-004	476-013-004	477-013-004	478-013-004
⑧	475-502-000	476-021-000	477-019-000	478-019-000
⑨	475-019-000	476-002-000	477-002-000	478-002-000
⑩	475-020-004	476-003-004	477-003-004	478-003-004

⑪ PER MACCHINA A 1 GRUPPO
 POUR MACHINE A 1 GROUPE
 FOR MACHINE WITH 1 UNIT
 FÜR 1 GRUPPIG MASCHINE

ROSSO

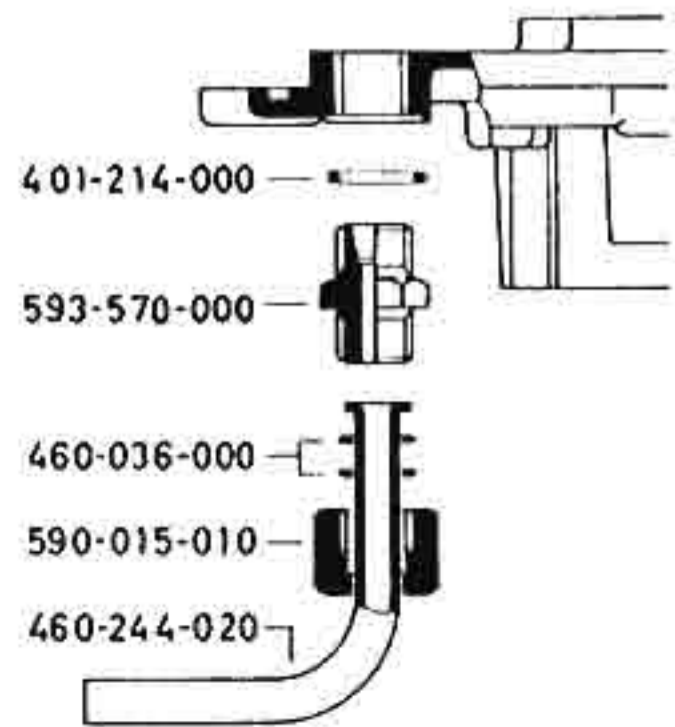
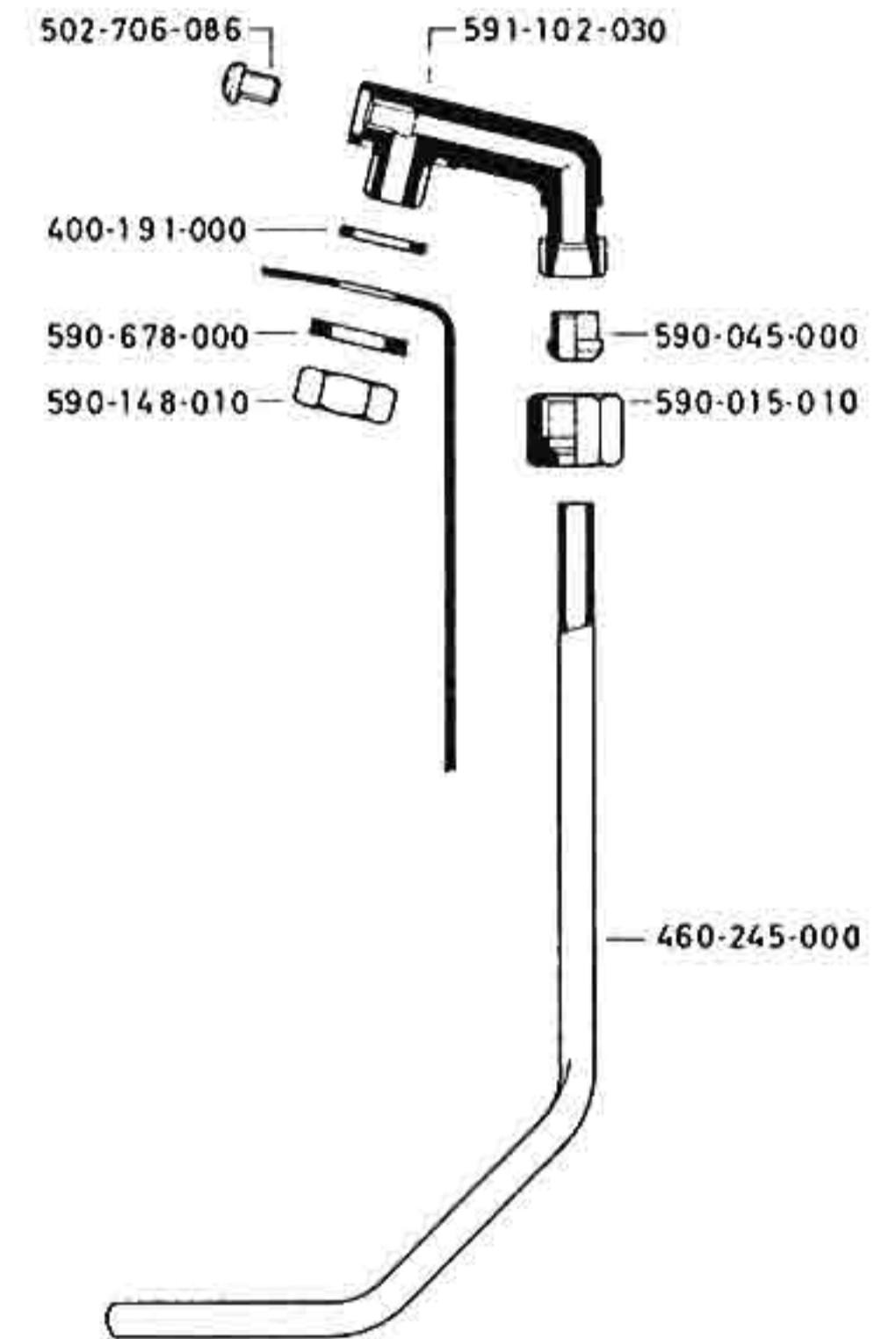
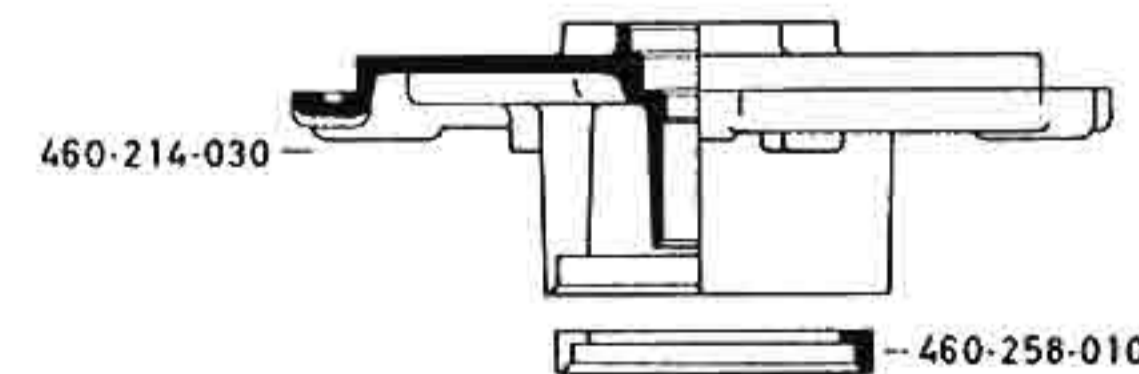
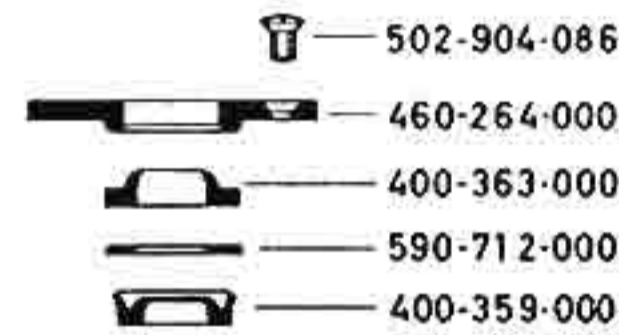
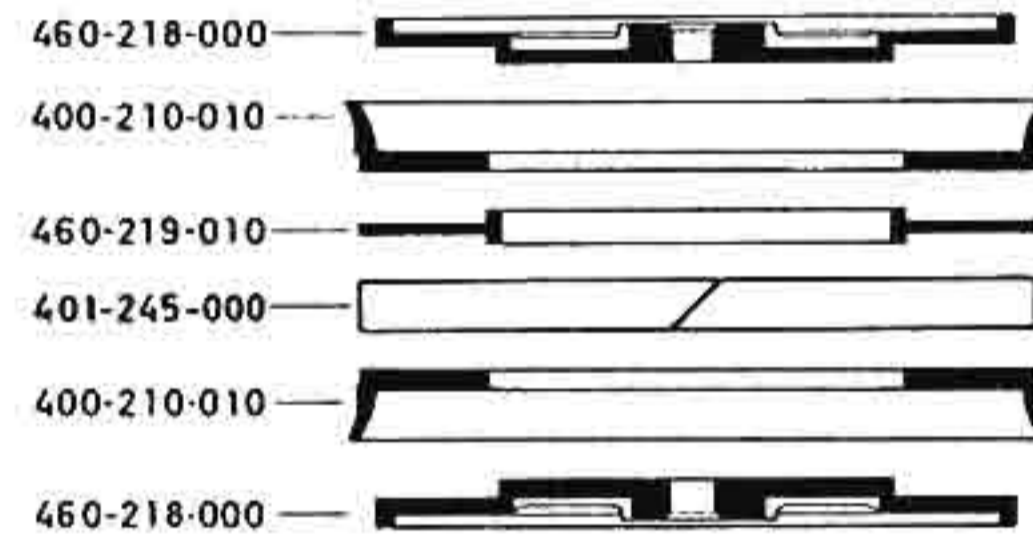
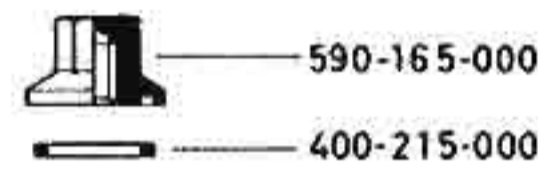
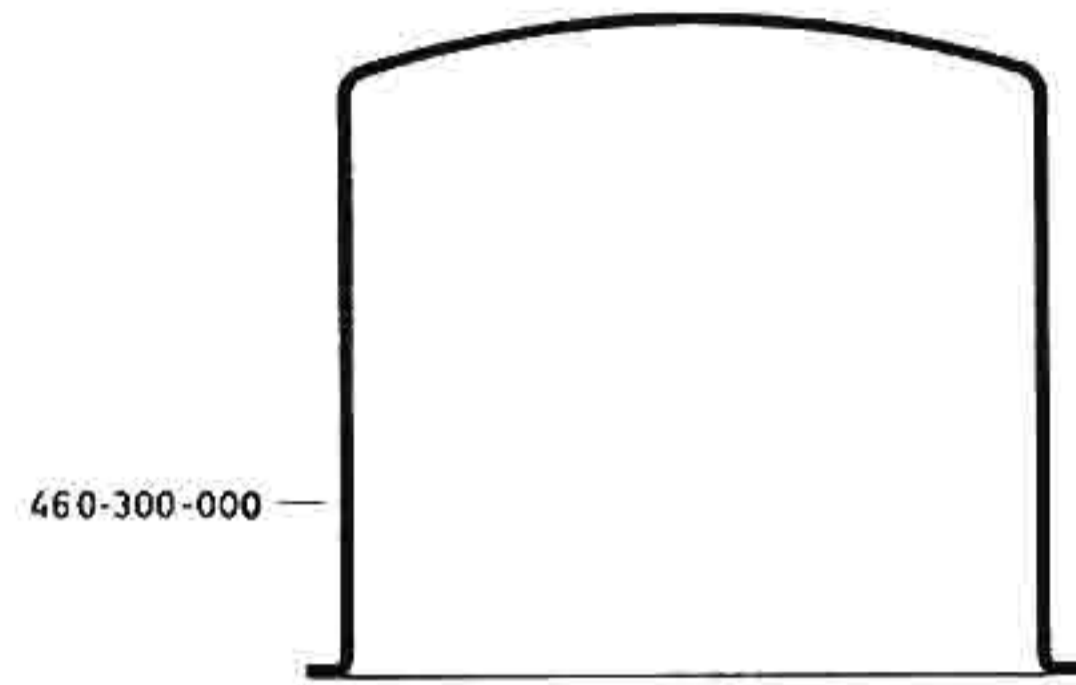
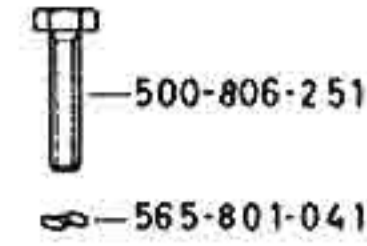
	A/1	A/2	A/3	A/4
①	475-002-004	475-002-004	475-002-004	475-002-004
②	475-050-004	476-014-004	477-014-004	478-014-004
③	475-051-004	476-015-004	477-015-004	478-015-004
④	475-003-004	475-003-004	475-003-004	475-003-004

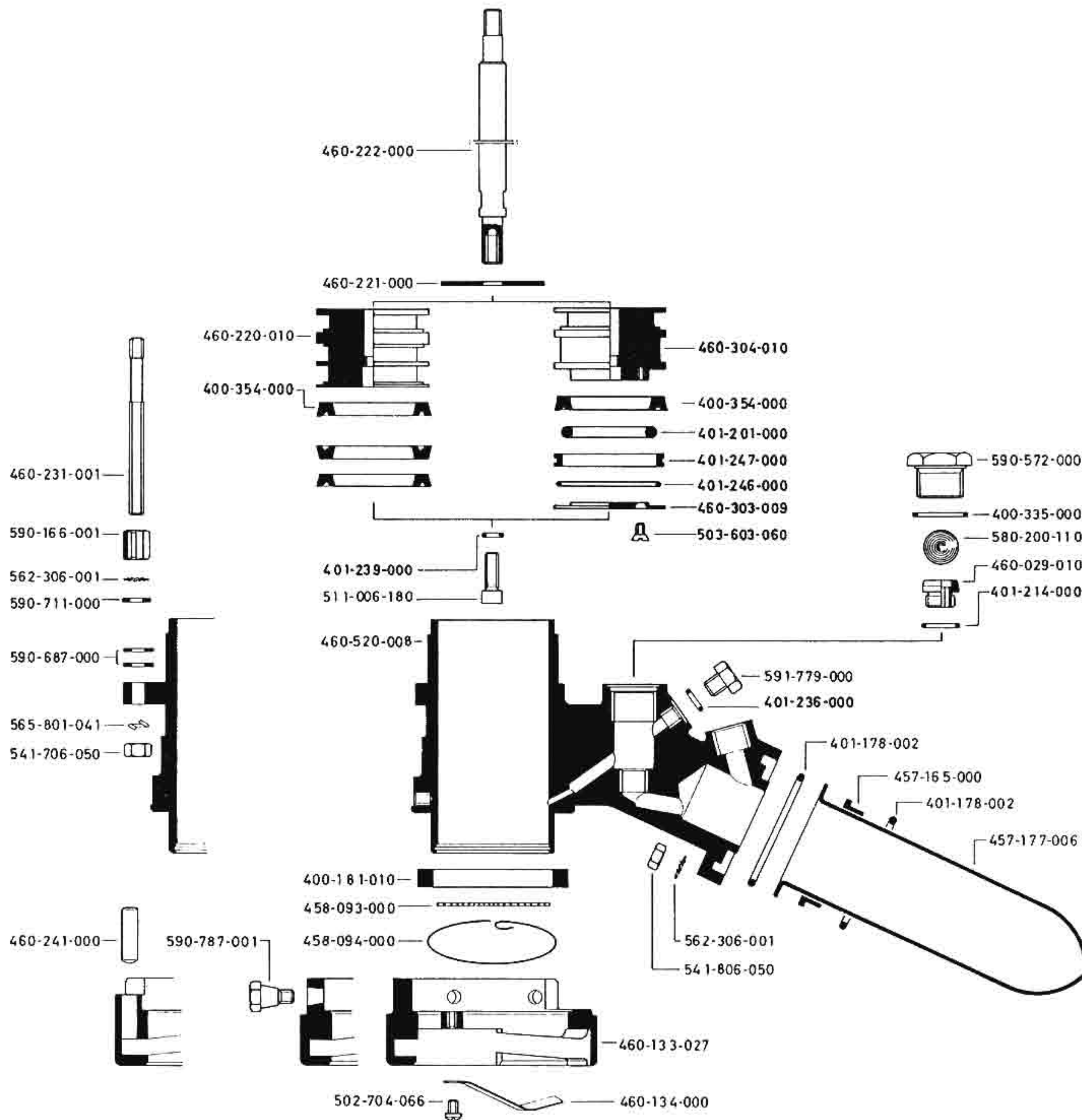
SILVER

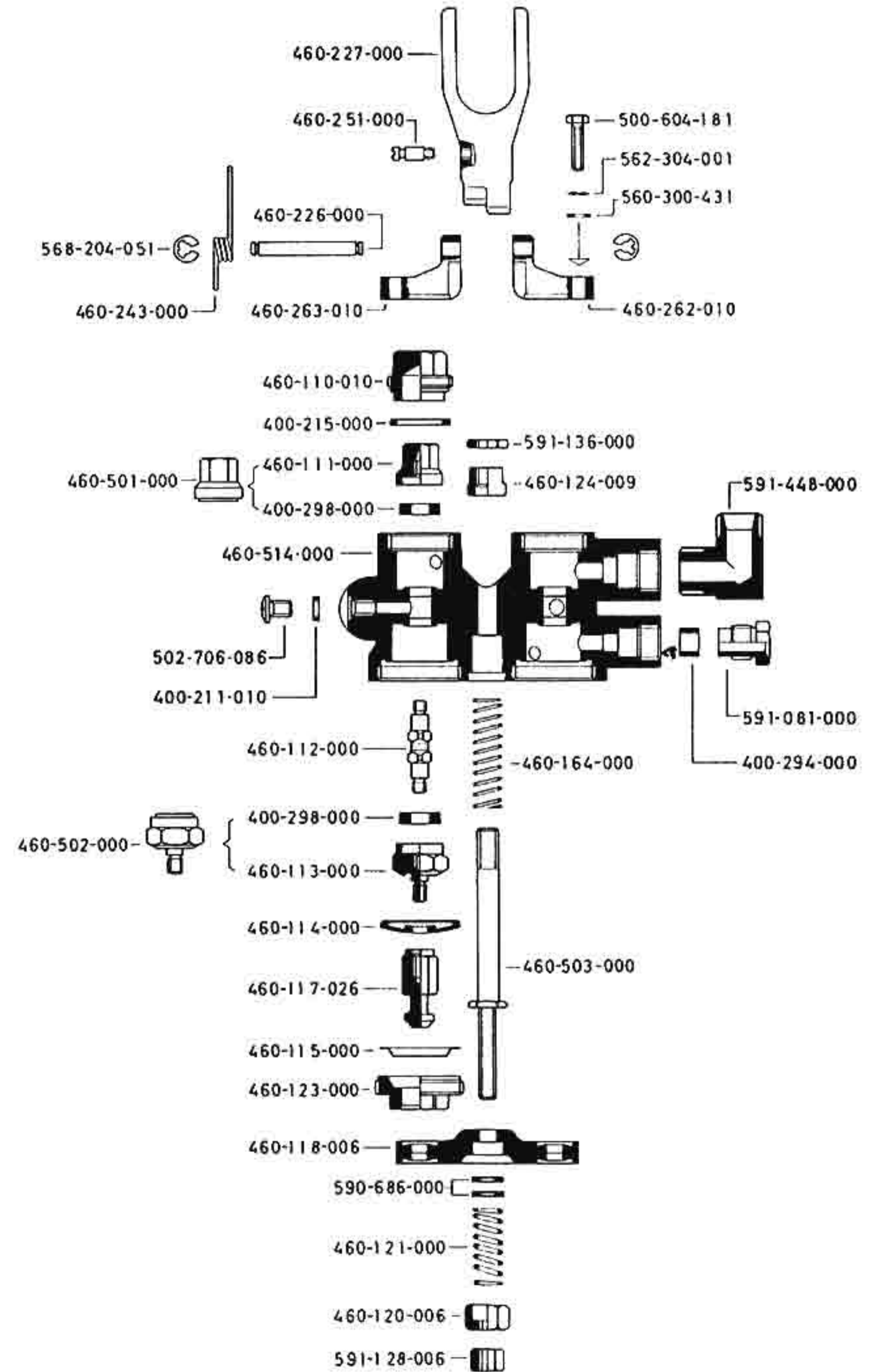
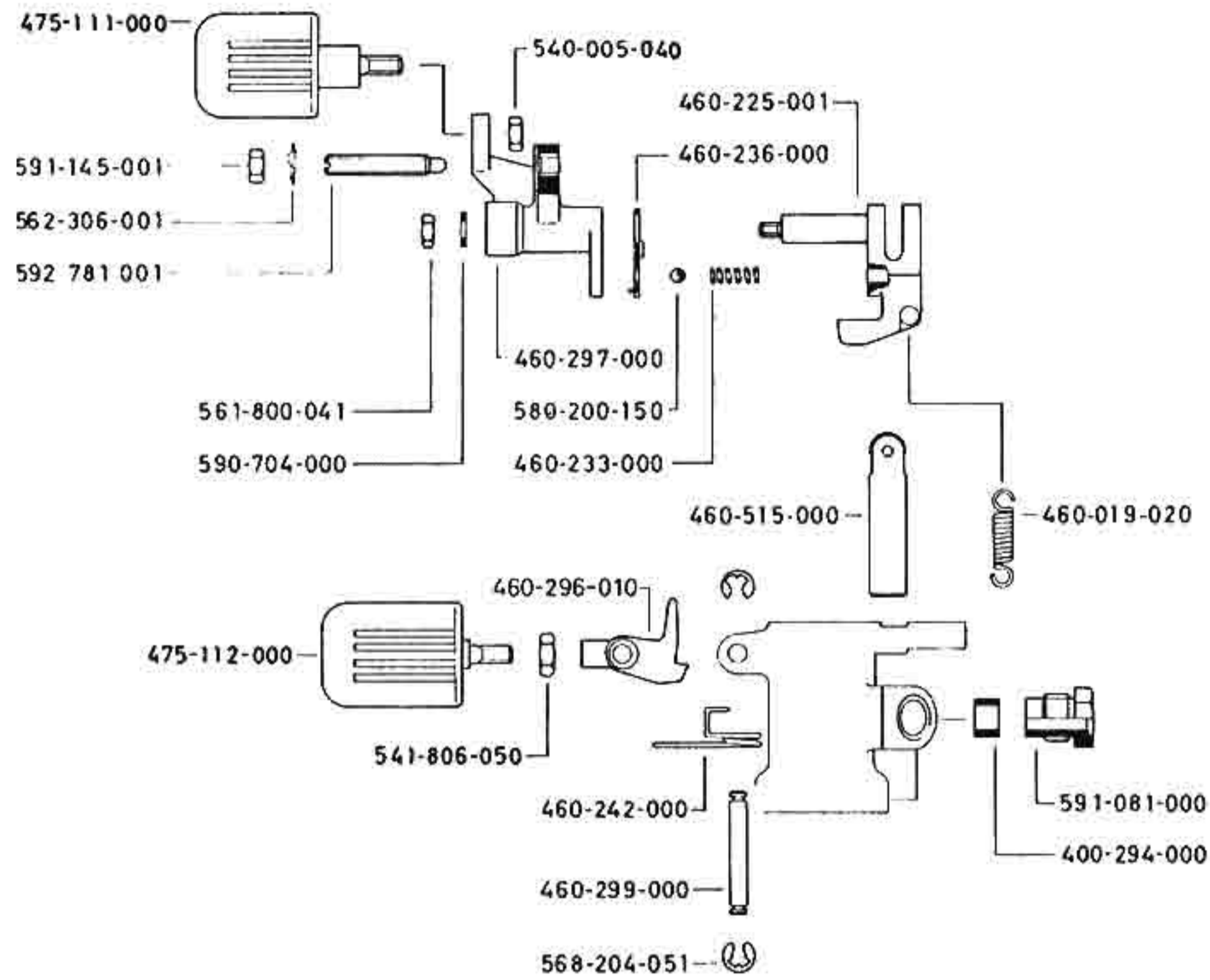
	A/1	A/2	A/3	A/4
①	475-002-008	475-002-008	475-002-008	475-002-008
②	475-050-008	476-014-008	477-014-008	478-014-008
③	475-051-008	476-015-008	477-015-008	478-015-008
④	475-003-008	475-003-008	475-003-008	475-003-008

GOLD

	A/1	A/2	A/3	A/4
①	475-002-009	475-002-009	475-002-009	475-002-009
②	475-050-009	476-014-009	477-014-009	478-014-009
③	475-051-009	476-015-009	477-015-009	478-015-009
④	475-003-009	475-003-009	475-003-009	475-003-009

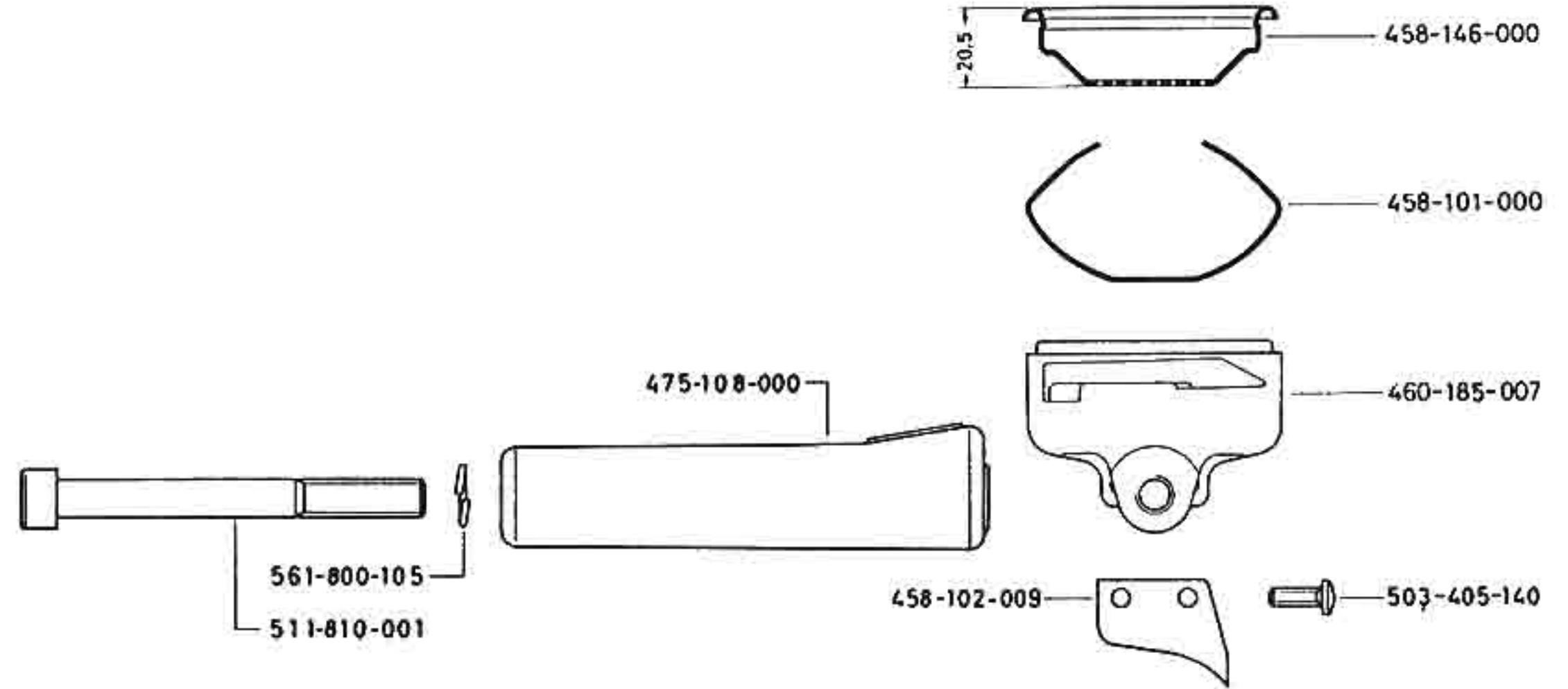
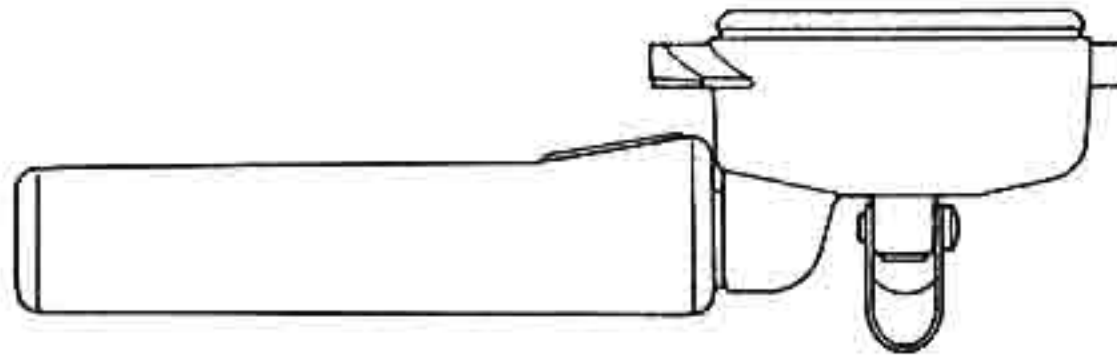




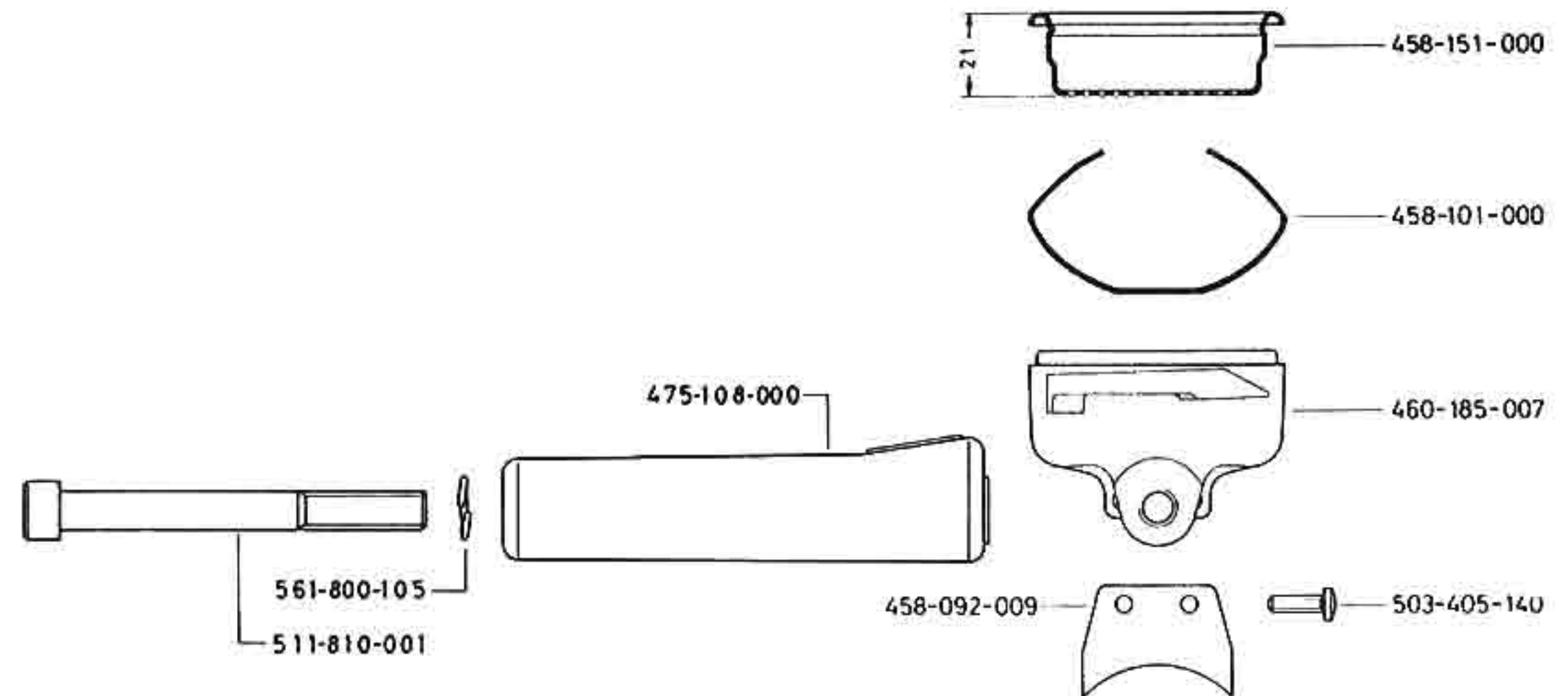
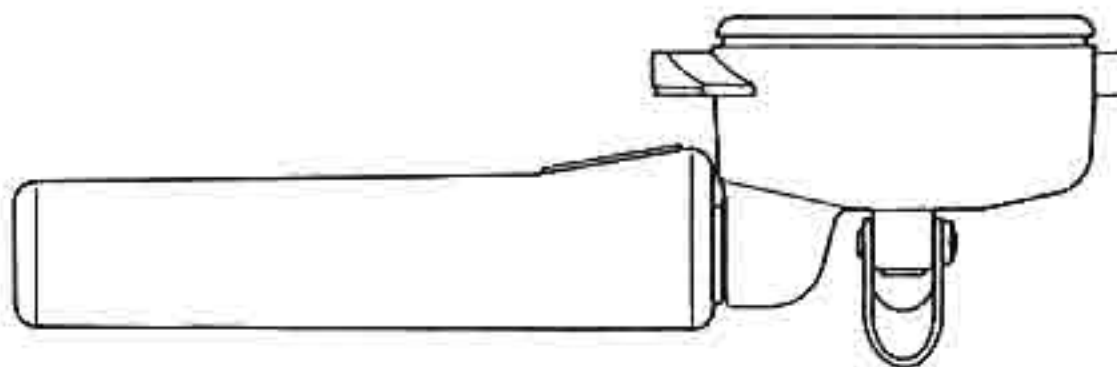


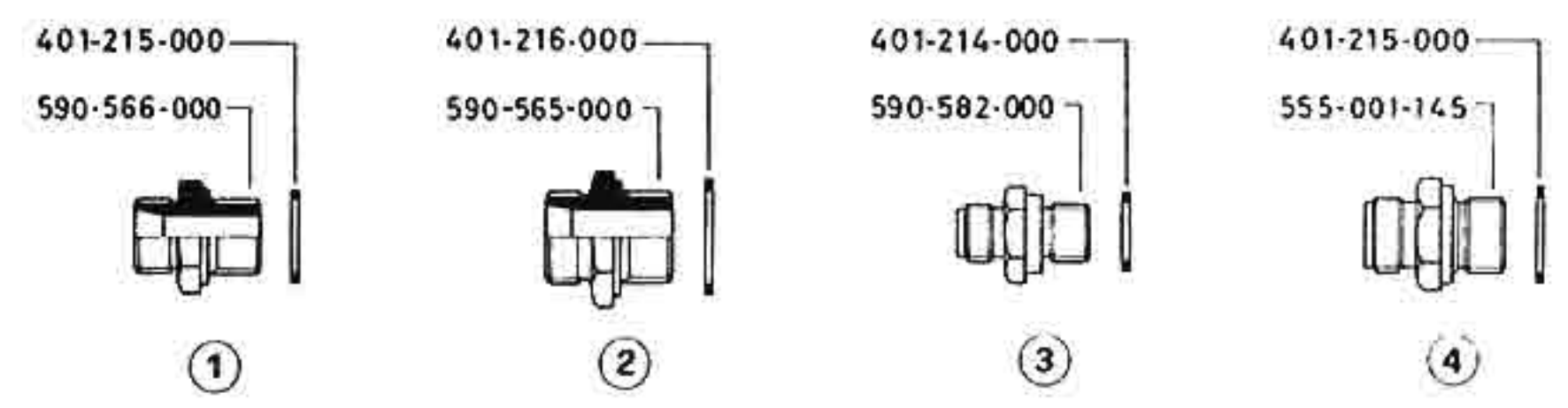
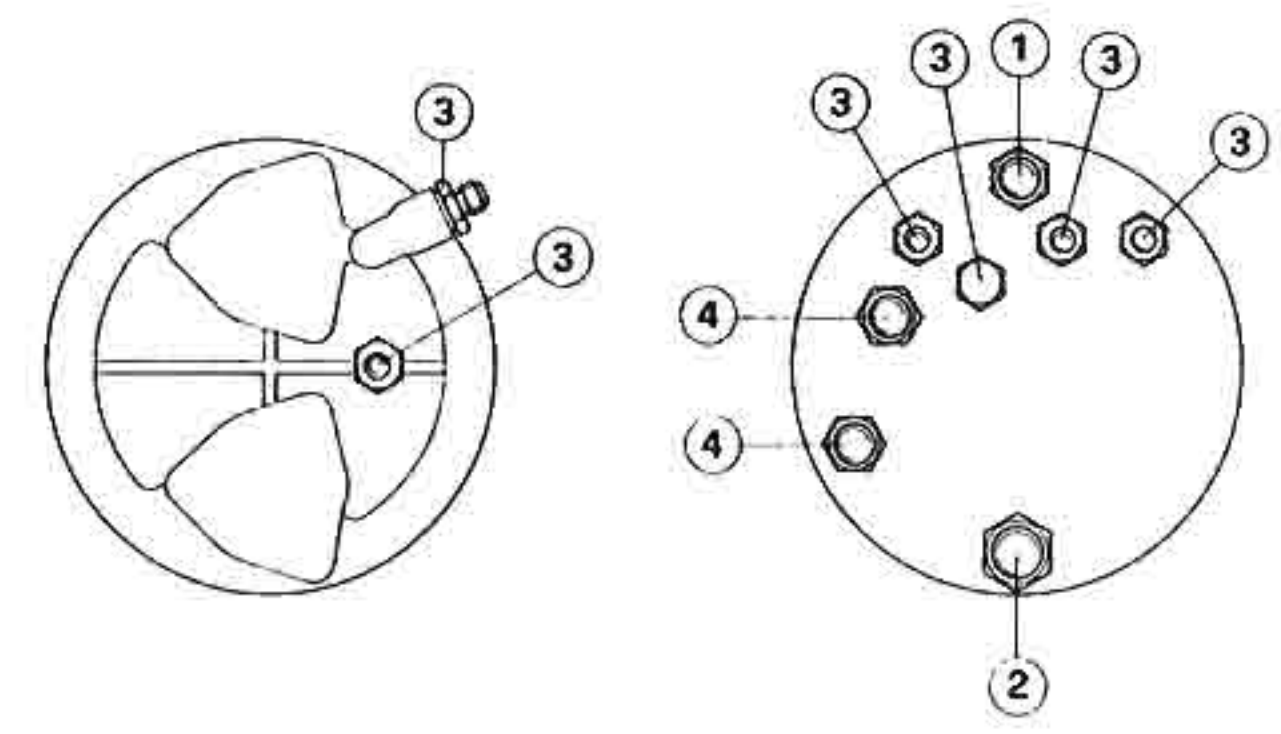
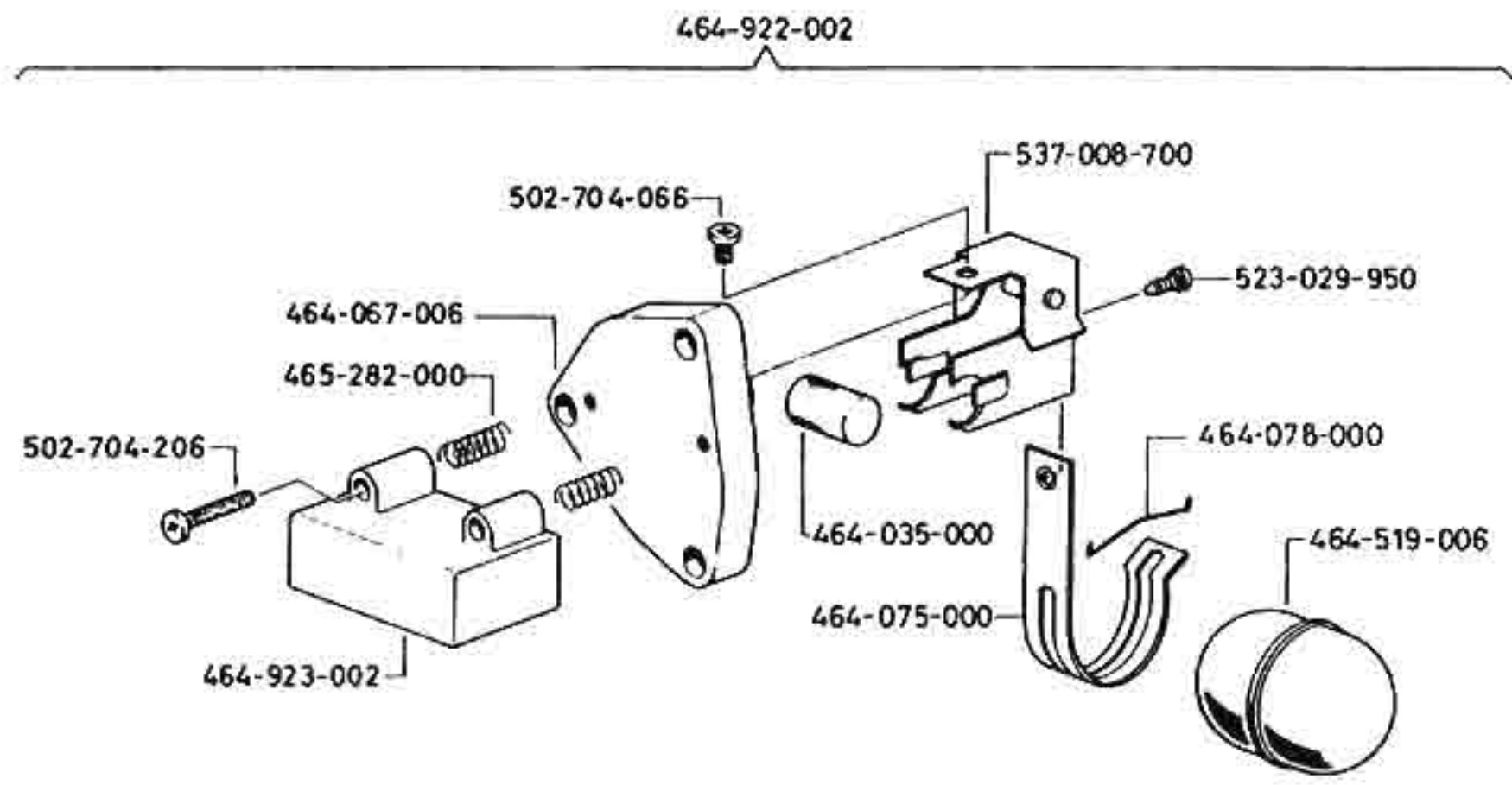
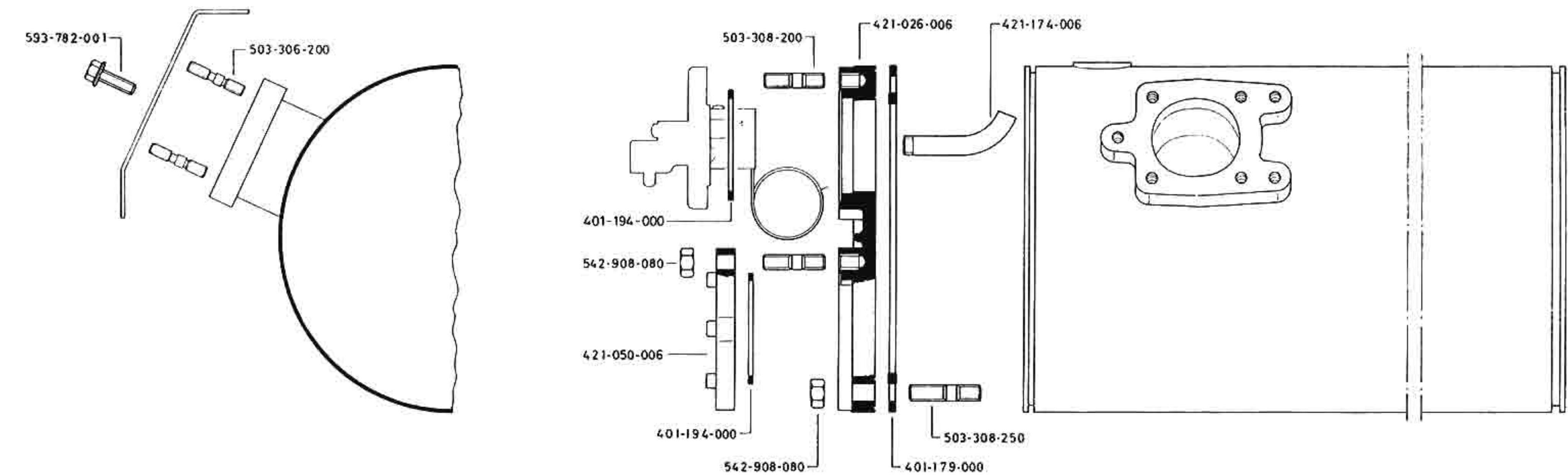
PORTAFILTRI E FILTRI TIPO A

460-971-002

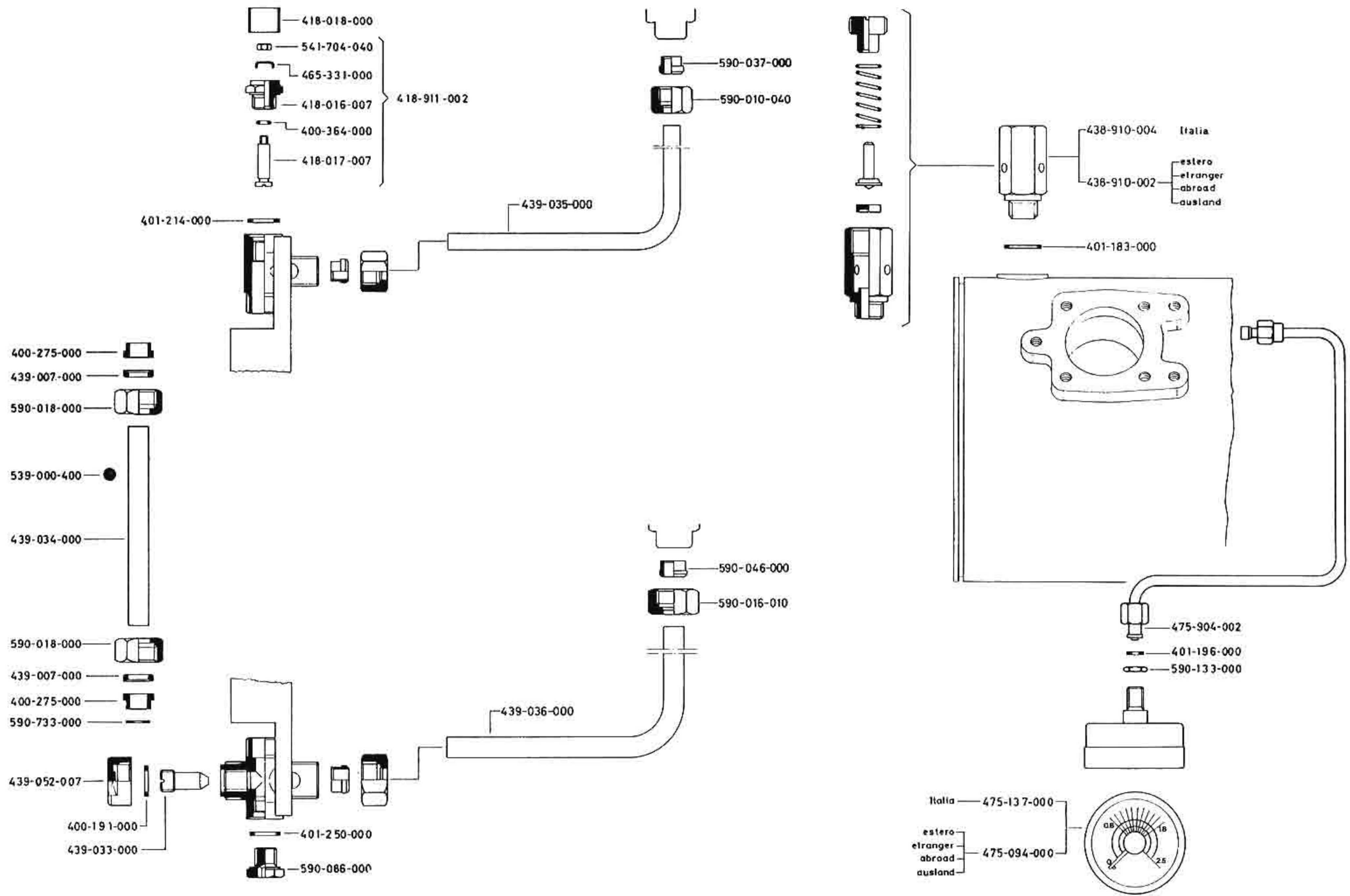


460-969-002



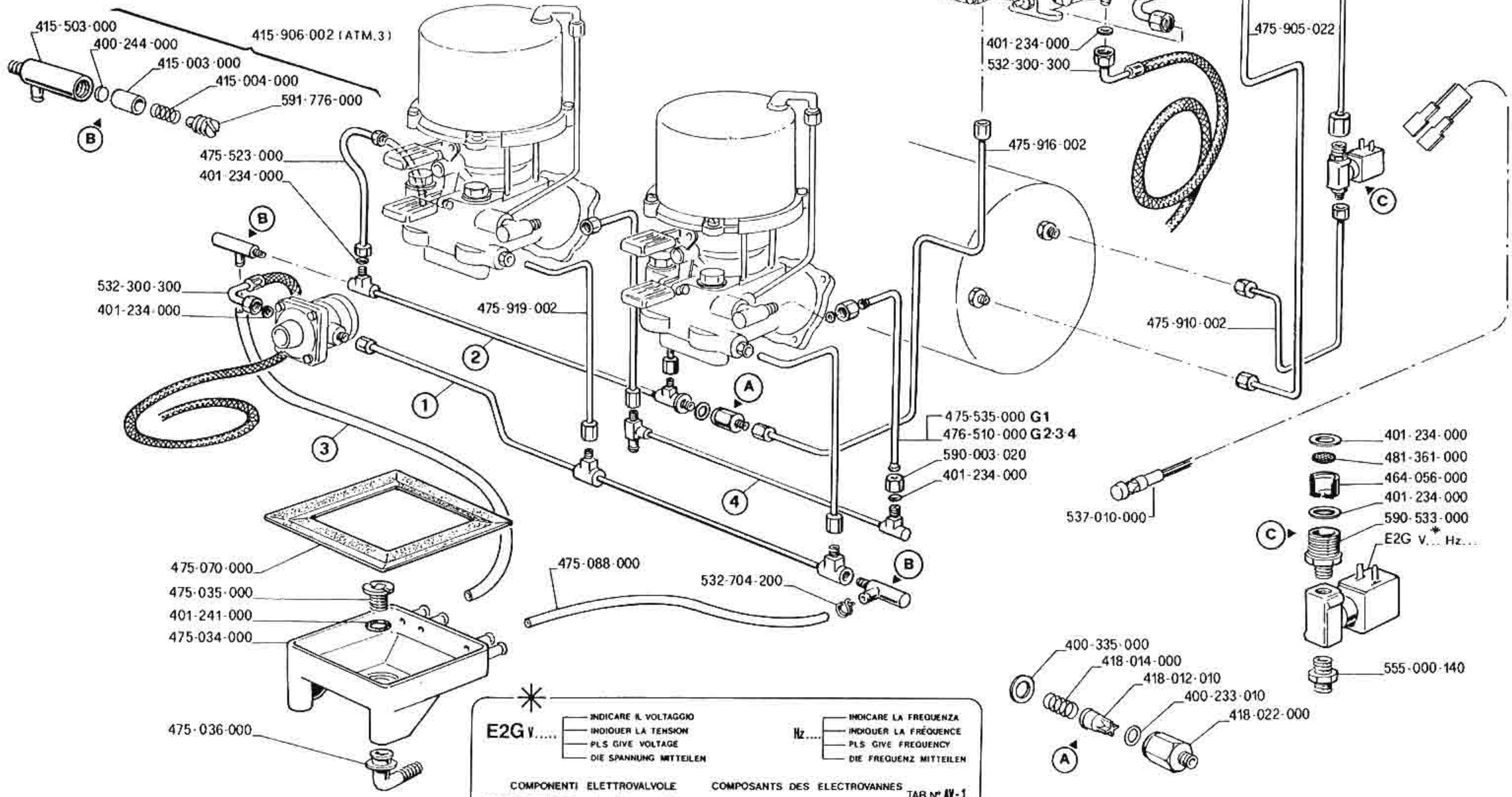


EQUIPAGGIAMENTO CALDAIA



① ② ③ ④

- | | | | |
|--------------------------|--------------------------|--------------------------|--------------------------|
| GRUPPI N° 1 475-920-002 | GRUPPI N° 1 591-449-000 | GRUPPI N° 1 475-089-000 | GRUPPI N° 1 |
| GROUPES N° 2 476-905-002 | GROUPES N° 2 476-511-000 | GROUPES N° 2 476-026-000 | GROUPES N° 2 422-523-010 |
| UNITS N° 3 477-904-002 | UNITS N° 3 477-510-000 | UNITS N° 3 477-025-000 | UNITS N° 3 423-523-010 |
| GRUPPEN N° 4 478-904-002 | GRUPPEN N° 4 478-510-000 | GRUPPEN N° 4 478-025-000 | GRUPPEN N° 4 424-523-010 |

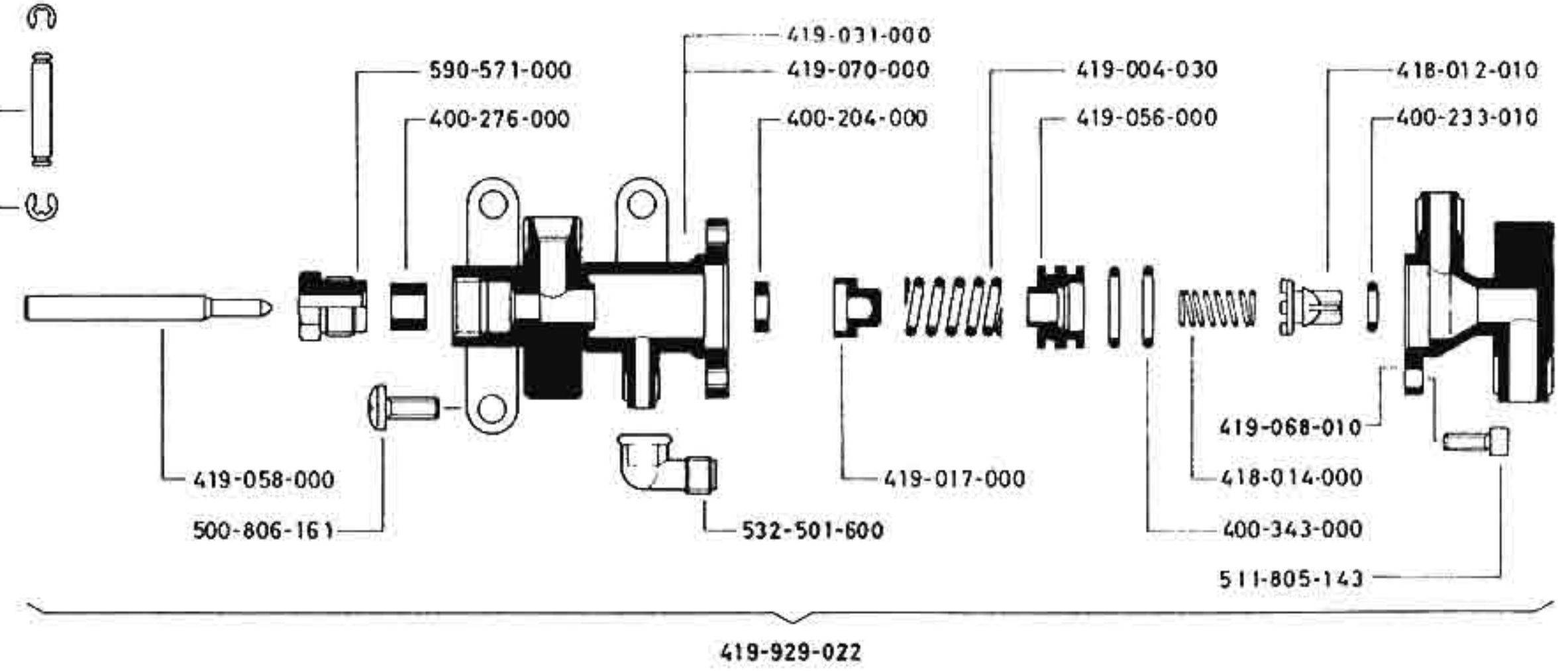
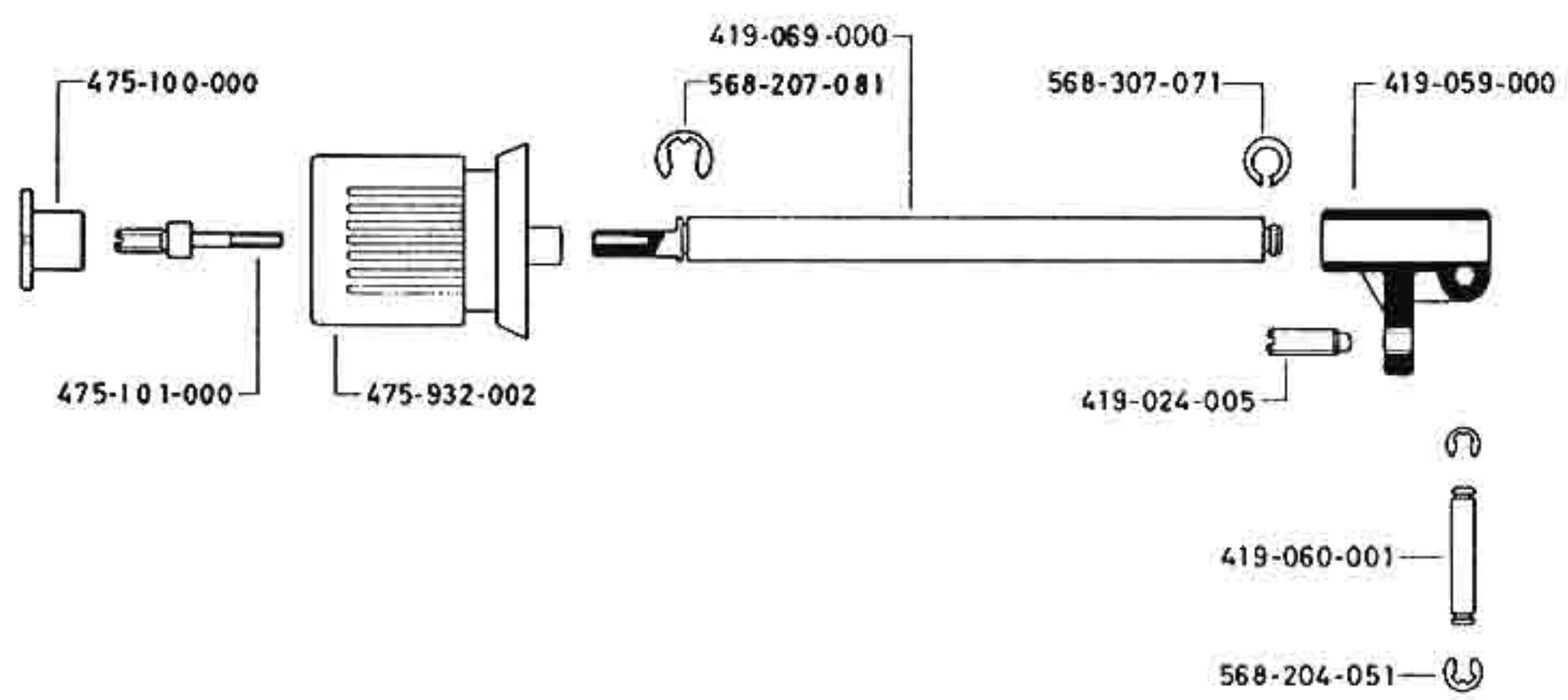
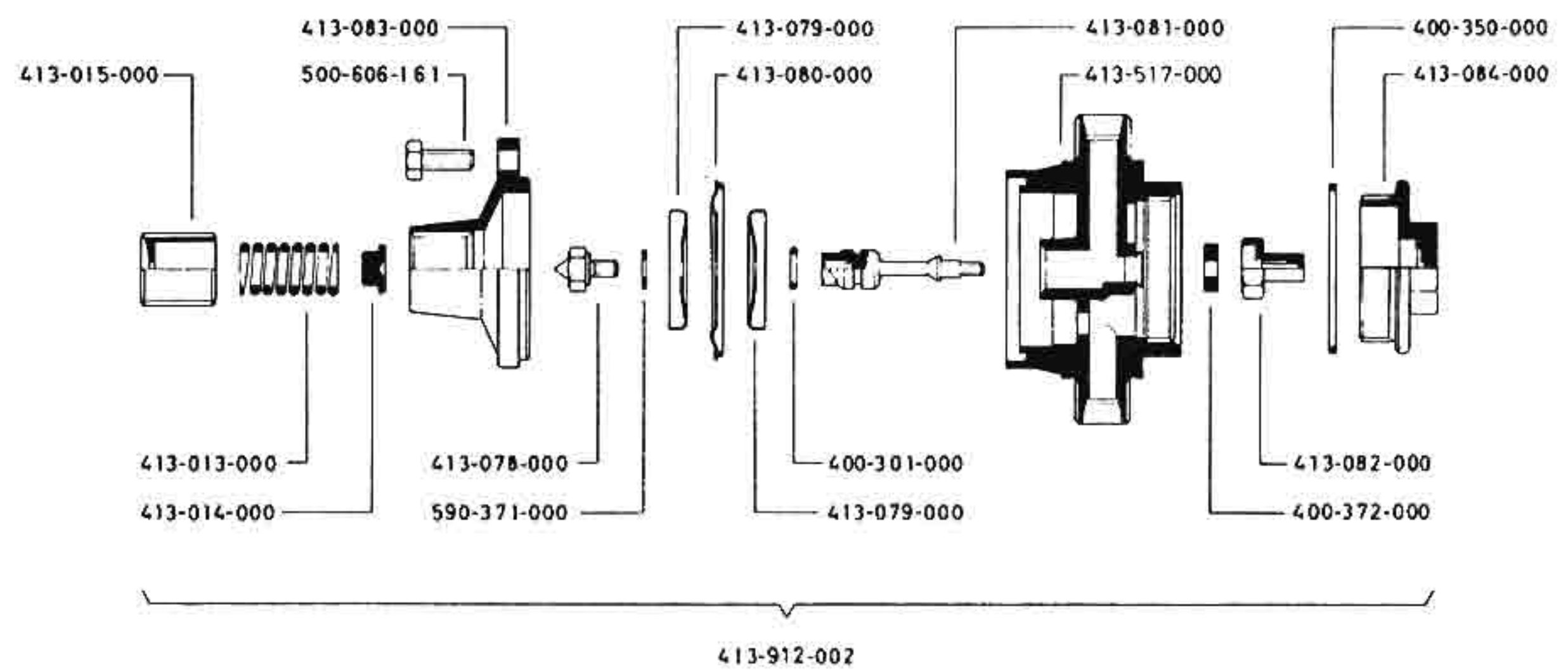


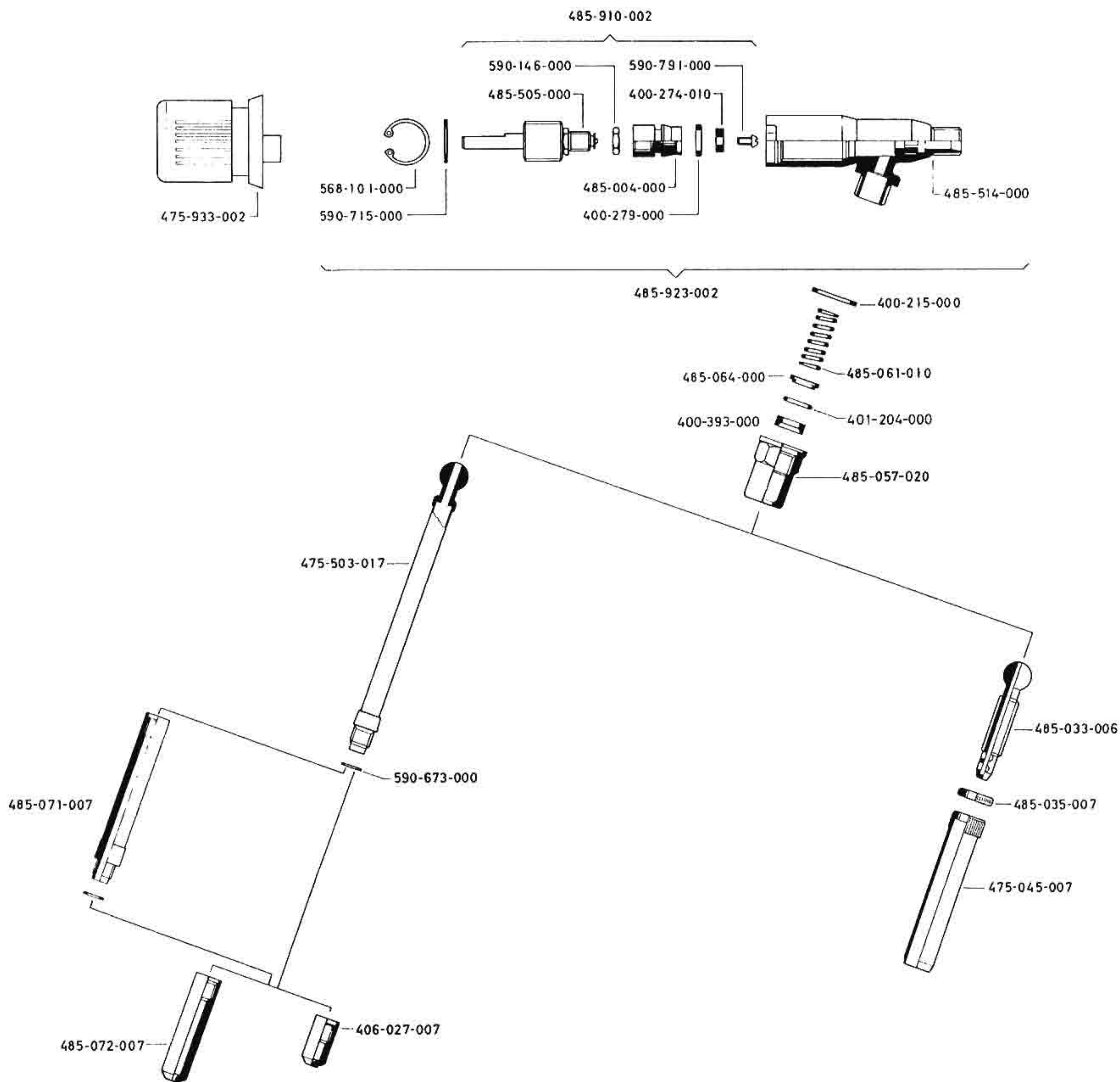
*
E2G V..... INDICARE IL VOLTAGGIO
 INDIQUER LA TENSION
 PLS GIVE VOLTAGE
 DIE SPANNUNG MITTEILEN

Hz..... INDICARE LA FREQUENZA
 INDIQUER LA FREQUENCE
 PLS GIVE FREQUENCY
 DIE FREQUENZ MITTEILEN

COMPONENTI ELETTROVALVOLE COMPOSANTS DES ELECTROVANNES
COMPONENTS OF SOLENOID VALVES BESTANDTEILE DER MAGNETVENTILE

TAB. N° AV-1





RISCALDAMENTO ELETTRICO

