



*IF 55*

# LIST OF THE EXPLODED VIEWS



*SHELL ASSY*

*COOLING SYSTEM*

*HYDRAULIC CIRCUIT*

*EVAPORATOR SUPPORT*

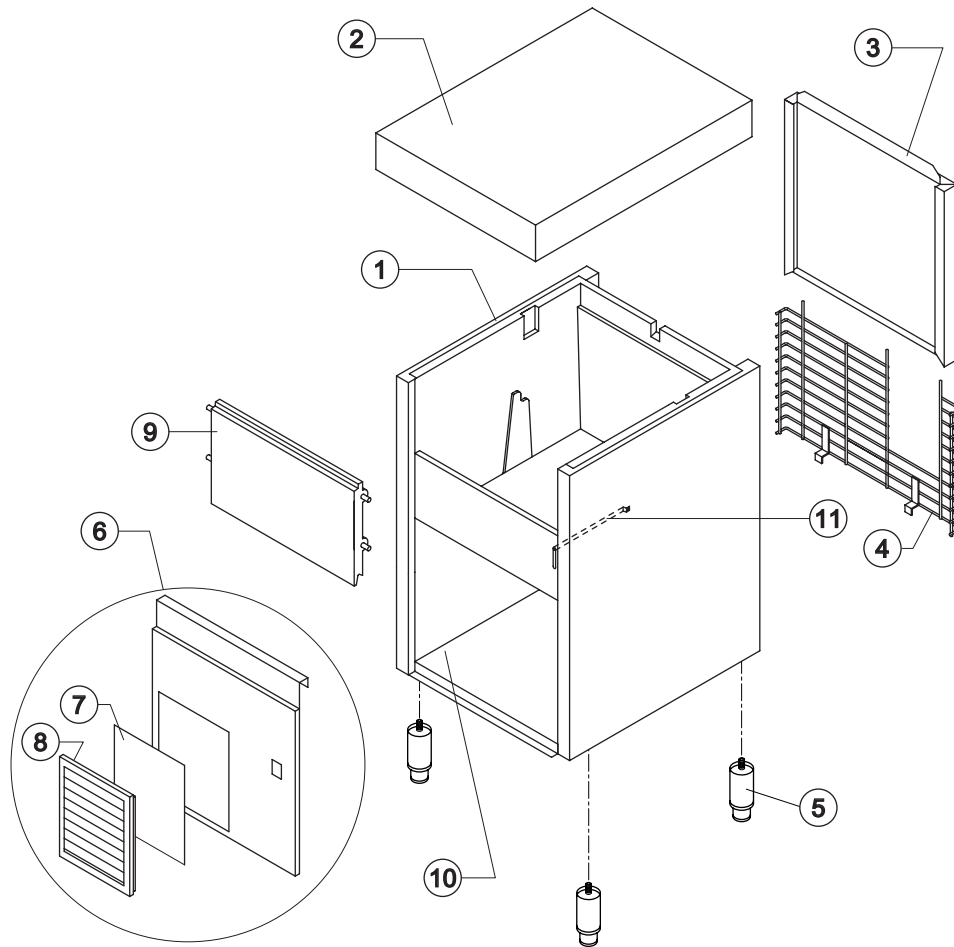
*ELECTRIC PARTS*

Rev. 6b - 01/08/2005



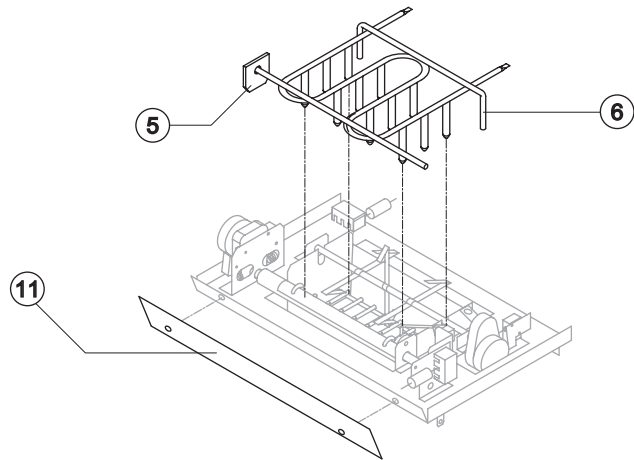
# IF 55

# SHELL ASSY



Ref.	Spare Description	Code
1	Foamed Cabinet Assy	C11039/E
2	Top Assembly	C22262
3	Rear Panel Assembly	C26419
4	Rear Grid	D12006
5	Adjustable Stainless Steel Foot	20613
6	Front Grid Panel	C22508
7	Filtering Panel	18106
8	Frame + Grid & Filter	C10205
9	Door Assy	C10297
10	Base Plate	21279
11	Bulbe-holder Pipe	20522

Rev. 6b - 01/08/2005



### Common Parts

Ref.	Spare Description	Code
3	Molecular Drier	14009
5	Upright	22253
6	Evaporator	D14206
7	Compressor	See Table
8	Vacuum-Charge Valve Plug	14006
9	Vacuum-Charge Valve Device	14005
10	Vacuum-Charge Valve Body	14007
11	Protection Plate	10433
12	Hot Gas Valve Coil	23091
13	Hot Gas Valve Body	20410

### Parts for Air-Cooled Version Only

Ref.	Spare Description	Code
1	Air Condenser	20019
4	Sucking Fan	See Table

### Parts for Water-Cooled Version Only

Ref.	Spare Description	Code
2	Water Condenser	14014
4	Sucking Fan	Till s/n. 232332

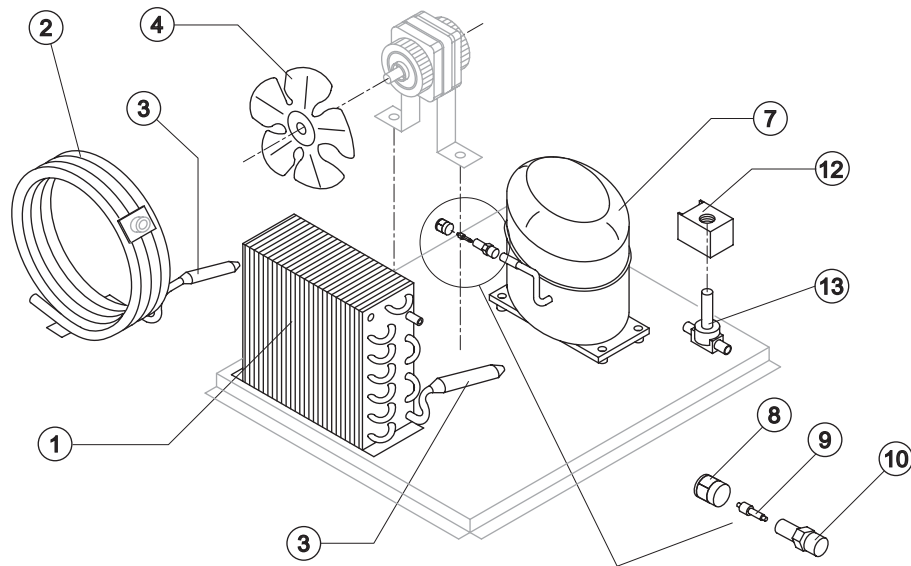
### Ref. 4 - Sucking Fan

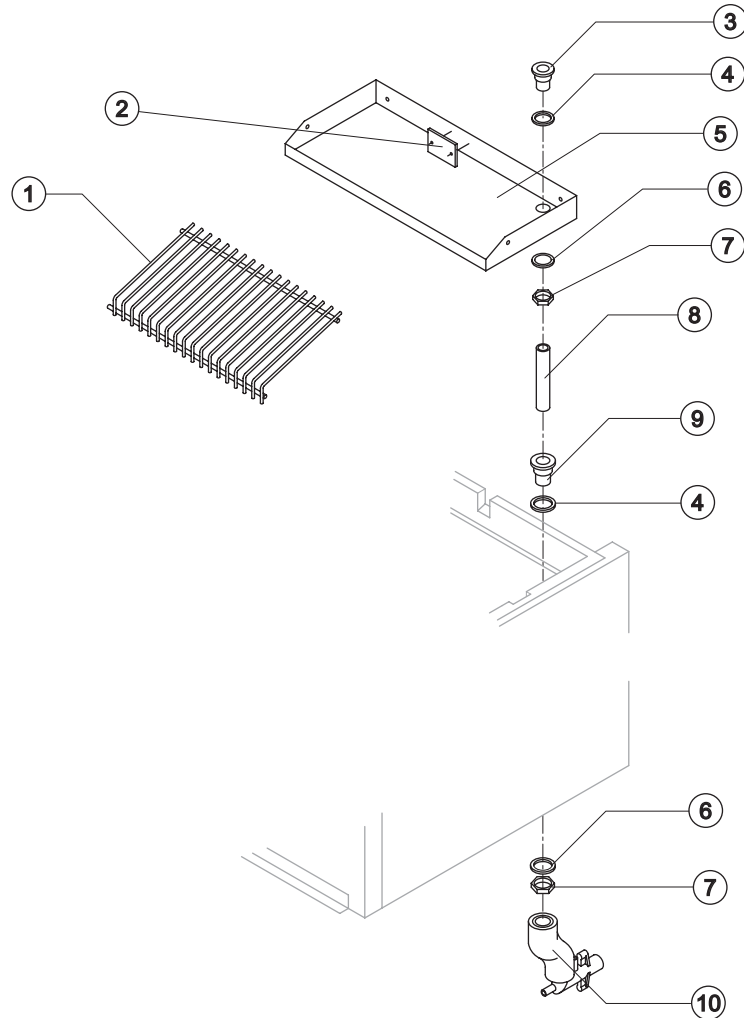
Voltage	Code
T11	20096
T12	20095

### Ref. 7 - Compressor

Voltage	Code
T11	23441
T12	23585

Rev. 6b - 01/08/2005





### Common Parts

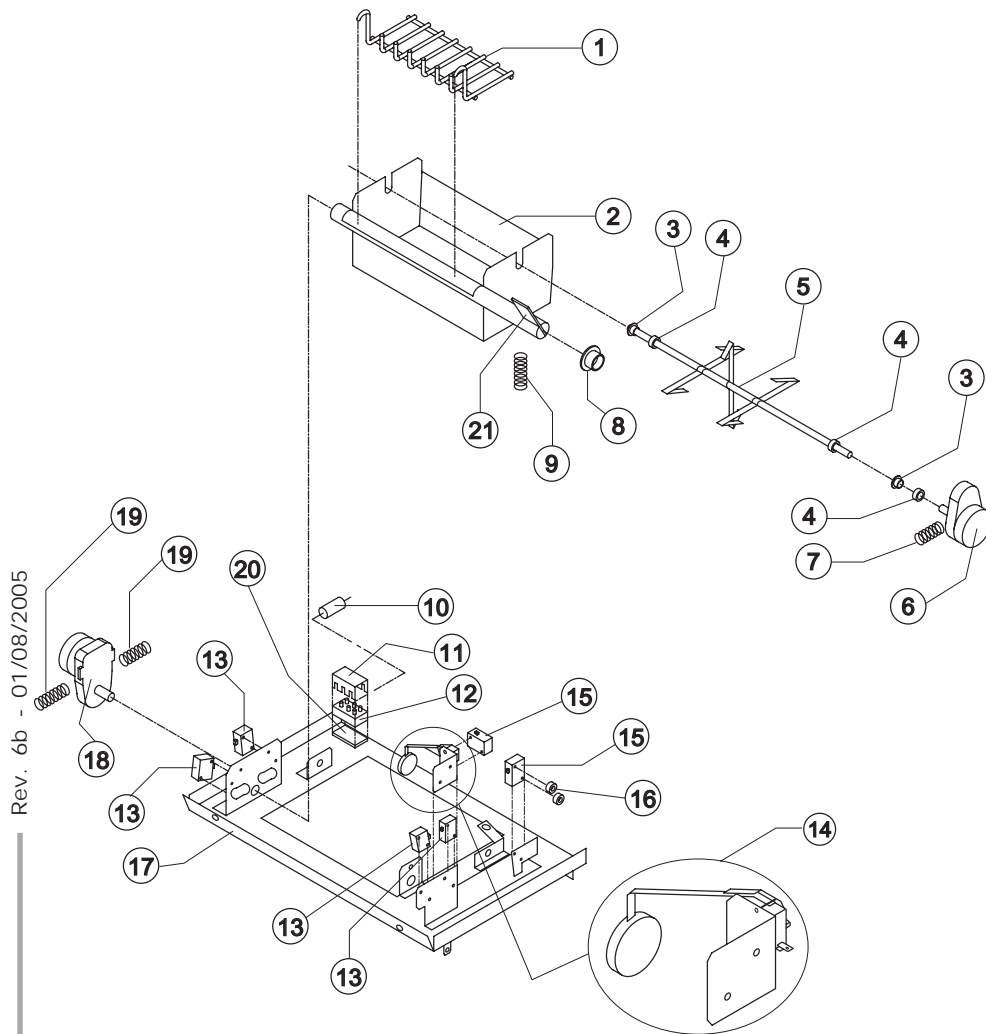
Ref.	Spare Description	Code
1	Ice Cubes Slide	D12042
2	Slide Keep Plate	10009
3	Overflow Pipe Nipple	10241
4	Silicone Gasket	13006
5	Water Basin	22353
6	Semirigid Polyethylene Gasket	13007
7	Bin Discharge Nut	10096
8	Overflow Pipe	13108
9	Water Outlet Nipple	10472

### Parts for Air-Cooled Version Only

Ref.	Spare Description	Code
10	Discharges Manifold	C10006

### Parts for Water-Cooled Version Only

Ref.	Spare Description	Code
10	Discharges Manifold	C26452



Ref.	Spare Description	Code	
1	Internal Basin Slide	D12048	
2	Water Basin with Pin	C22356	
3	Self-Lubricating Bush 06/06	20230	
4	Shaft Stop Ring	20227	
5	Shaft with Paddles	20221	
6	Gearmotor (Paddles)	23194	
7	Spring (Support Gearmotor)	20228	
8	Self-Lubricating Bush 12/07	20231	
9	Spring(Basin Lightening)	20282	
10	Capacitor 0,12 $\mu$ F - 1000 V	220/240V 50 Hz	23318
10	Capacitor 0,15 $\mu$ F - 1000 V	220/230V 60 Hz	23329
11	Terminal Block Cover	23250	
12	Terminal Block	23249	
13	Microswitch (normally closed)	23196	
14	Working Kit for the Floating Micro	C26562	
15	Microswitch (normally open)	23372	
16	Switch Shimming Ring	10250	
17	Evaporator Support Plate	22351	
18	Gearmotor (Turnover Basin)	See Table	-
19	Spring (Support Gearmotor)	20232	
20	Terminal Block Spacer	10143	
21	Micro-Finger Connecting Link	22359	

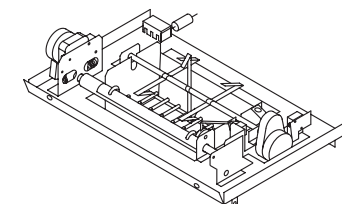
**!** The Complete Evaporator Support Plate has to be request, making reference to the Table.

**Ref. 18 - Gearmotor (Turnover basin)**

Voltage	Code
T11	23195
T12	23581

**Evaporator Support Plate**

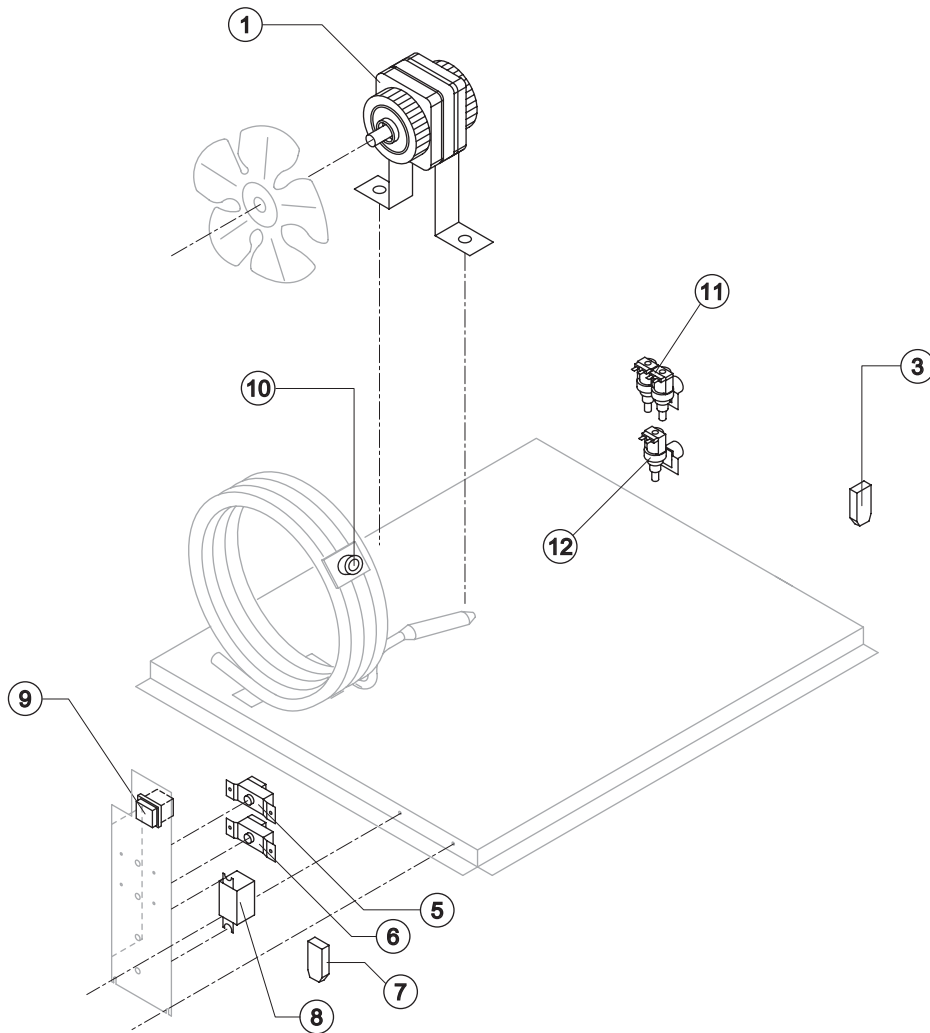
Voltage	Code
T11	C22351
T12	C22696



Rev. 6b - 01/08/2005



Rev. 6b - 01/08/2005



### Common Parts

Ref.	Spare Description	Code
3	Anti Radio Interference Filter T11	C23458
5	Condenser Pressure Switch	23175
6	Bin Thermostat	R23005
8	Relay	23190
9	Green Light Switch (On-Off)	23327

### Parts for Air-Cooled Version Only

Ref.	Spare Description	Code
1	Fan Motor	23029
7	Anti Radio Interference Filter T11	C23459
12	1 Way- Water Inlet Valve	23220

### Parts for Water-Cooled Version Only

Ref.	Spare Description	Code
1	Fan Motor	Till s/n. 232332 23029
7	Anti Radio Interference Filter T11	Current Version C23457
7	Anti Radio Interference Filter T11	Till s/n. 232332 C23459
10	Safety Thermostat	C23114
11	2 Ways- Water Inlet Valve	23501