



IF 30

LIST OF THE EXPLODED VIEWS



SHELL ASSY

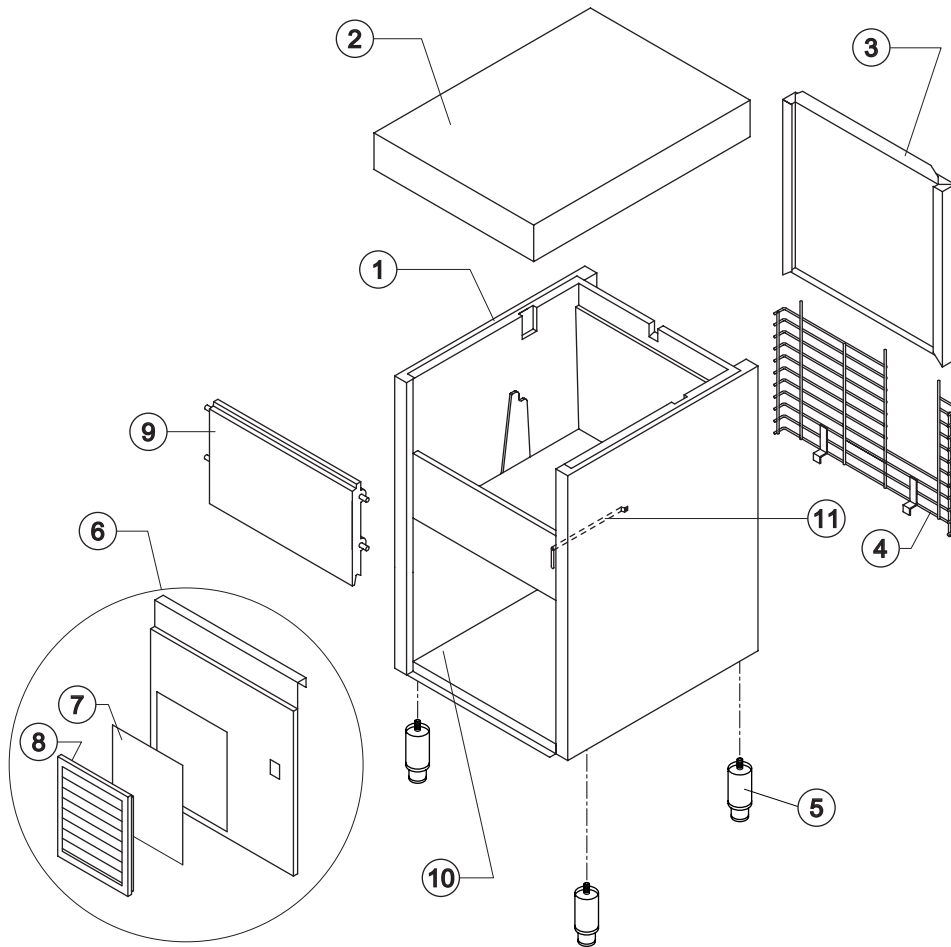
COOLING SYSTEM

HYDRAULIC CIRCUIT

EVAPORATOR SUPPORT

ELECTRIC PARTS

Rev. 6b - 01/08/2005



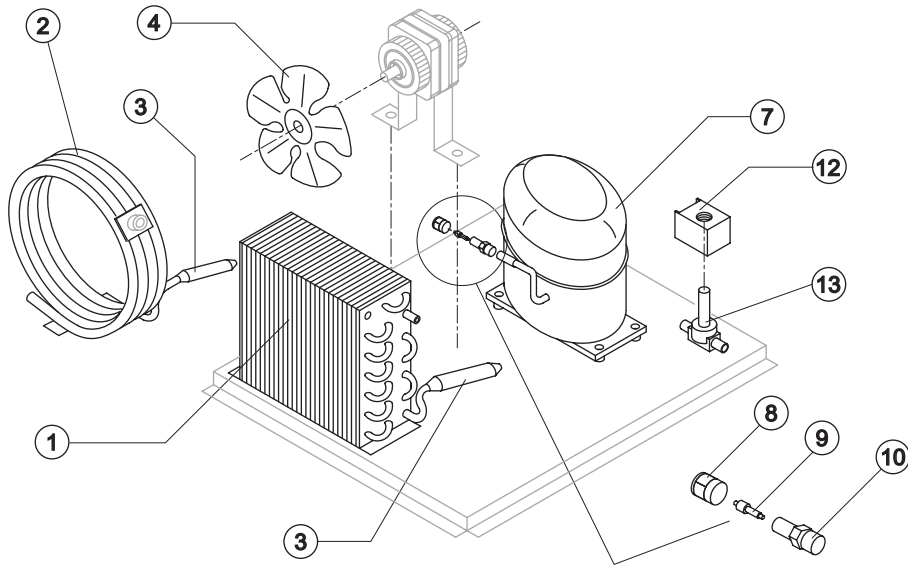
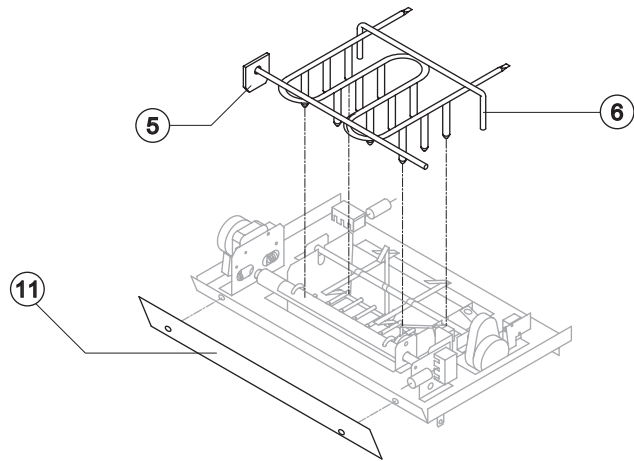
Ref.	Spare Description	Code
1	Foamed Cabinet Assy	C11035/E
2	Top Assembly	C22262
3	Rear Panel Assembly	C26414
4	Rear Grid	D12006
5	Adjustable Stainless Steel Foot	20613
6	Front Grid Panel	C22507
7	Filtering Panel	18106
8	Frame + Grid & Filter	C10205
9	Door Assy	C10297
10	Base Plate	21279
11	Bulbe-holder Pipe	20522

Rev. 6b - 01/08/2005



IF 30

COOLING SYSTEM



Common Parts

Ref.	Spare Description	Code
3	Molecular Drier	14009
5	Upright	22253
6	Evaporator	D14148
7	Compressor	See Table
8	Vaccum-Charge Valve Plug	14006
9	Vaccum-Charge Valve Device	14005
10	Vaccum-Charge Valve Body	14007
11	Protection Plate	10433
12	Hot Gas Valve Coil	23091
13	Hot Gas Valve Body	20410

Parts for Air-Cooled Version Only

Ref.	Spare Description	Code
1	Air Condenser	20283
4	Sucking Fan	20095

Parts for Water-Cooled Version Only

Ref.	Spare Description	Code
2	Water Condenser	See Note 14057
4	Sucking Fan	Till s/n. 232332 10213

Ref. 7 - Compressor

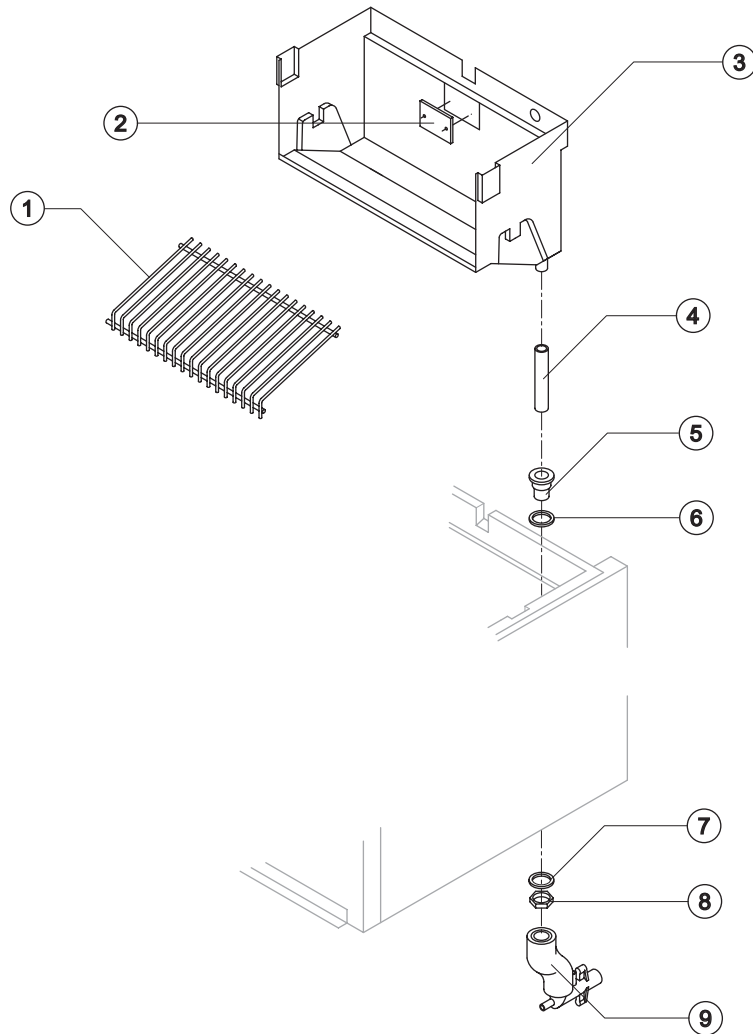
Voltage	Code
T11	23436
T12	23494

Rev. 6b - 01/08/2005



IF 30

HYDRAULIC CIRCUIT



Common Parts

Ref.	Spare Description	Code
1	Ice Cubes Slide	D12042
2	Slide Keep Plate	10009
3	Inner Basin	10255
4	Overflow Pipe	13107
5	Water Outlet Nipple	10472
6	Silicone Gasket	13006
7	Semirigid Polyethylene Gasket	13007
8	Bin Discharge Nut	10096

Parts for Air-Cooled Version Only

Ref.	Spare Description	Code
9	Discharges Manifold	C10006

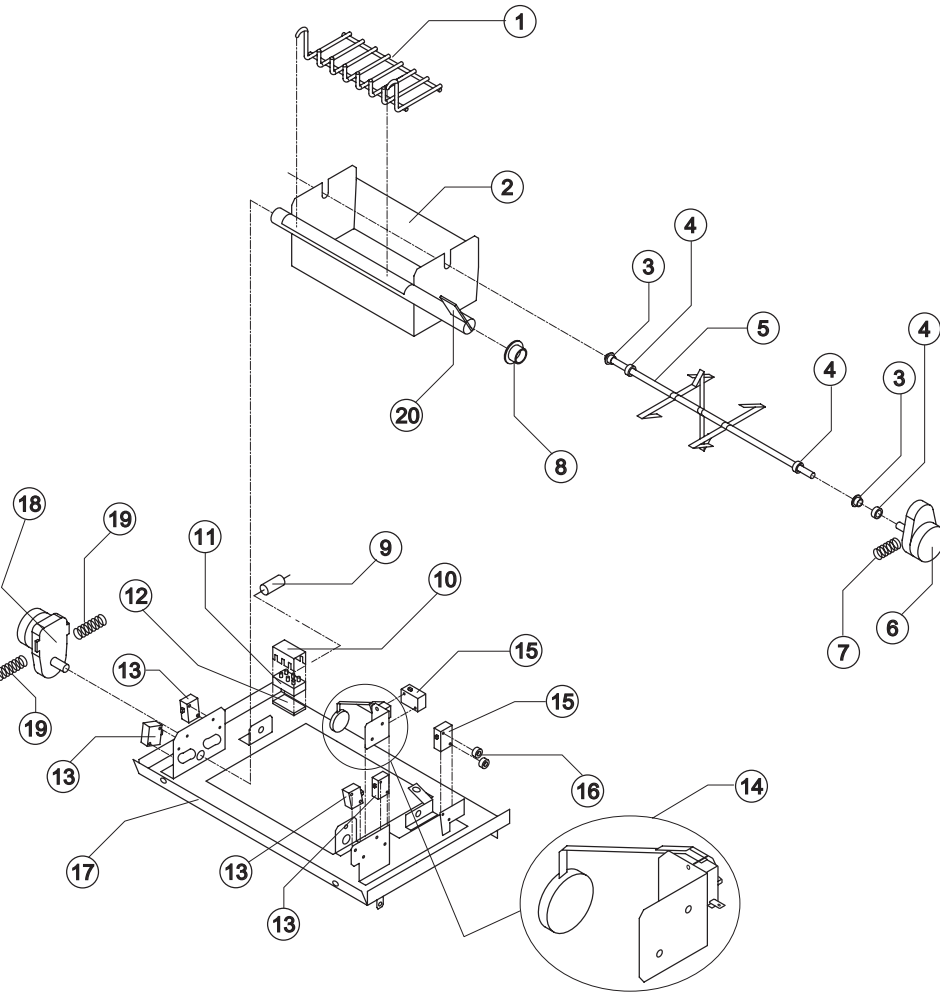
Parts for Water-Cooled Version Only

Ref.	Spare Description	Code
9	Discharges Manifold	C26452

Rev. 6b - 01/08/2005



Rev. 6b - 01/08/2005



Ref.	Spare Description	Code	
1	Internal Basin Slide	D12043	
2	Water basin with Pin	C22256	
3	Self-Lubricating Bush 06/06	20230	
4	Shaft Stop Ring	20227	
5	Shaft with Paddles	20221	
6	Gearmotor (Paddles)	23194	
7	Spring (Support Gearmotor)	20228	
8	Self-Lubricating Bush 12/07	20231	
9	Capacitor 0,12 μ F - 1000 V	220/240V 50 Hz	23318
9	Capacitor 0,15 μ F - 1000 V	220/230V 60 Hz	23329
10	Terminal Block Cover	23250	
11	Terminal Block	23249	
12	Terminal Block Spacer	10143	
13	Microswitch (normally closed)	23196	
14	Working Kit for the Floating Micro	C26562	
15	Microswitch (normally open)	23372	
16	Switch Shimming Ring	10250	
17	Evaporator Support Plate	22260	
18	Gearmotor (Turnover Basin)	See Table	-
19	Spring (Support Gearmotor)	20232	
20	Micro-Finger Connecting Link	22258	

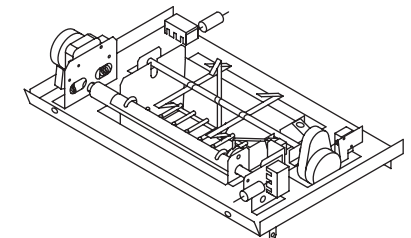
! The Complete Evaporator Support Plate has to be requested, making reference to the Table.

Ref. 18 - Gearmotor (for Turnover Basin)

Voltage	Code
T11	23195
T12	23581

Evaporator Support Plate

Voltage	Code
T11	C22260
T12	C22727





IF 30

ELECTRIC PARTS

Common Parts

Ref.	Spare Description	Code
3	Anti Radio Interference Filter	T11 C23458
5	Condenser Pressure Switch	23175
6	Bin Thermostat	R23005
8	Relay	23190
9	Green Light Switch (On-Off)	23327

Parts for Air-Cooled Version Only

Ref.	Spare Description	Code
1	Fan Motor	23029
7	Anti Radio Interference Filter	T11 C23459
12	1 Way- Water Inlet Valve	23220

Parts for Water-Cooled Version Only

Ref.	Spare Description	Code
1	Fan Motor	Till s/n. 232332 23029
7	Anti Radio Interference Filter	T11 Current Version C23457
7	Anti Radio Interference Filter	T11 Till s/n. 232332 C23459
10	Safety Thermostat	C23114
11	2 Ways- Water Inlet Valve	23501

Rev. 6b - 01/08/2005

