



LIST OF THE EXPLODED VIEWS

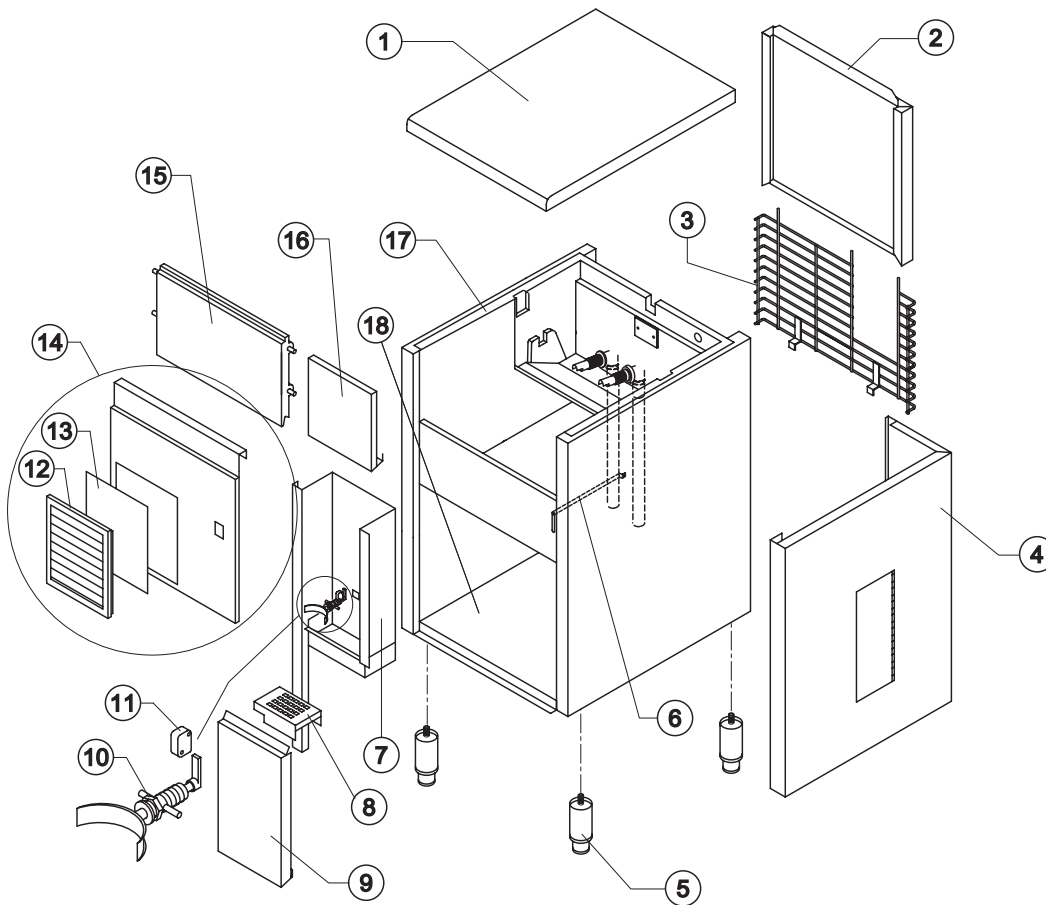


SHELL ASSY

COOLING SYSTEM

HYDRAULIC CIRCUIT

ELECTRIC PARTS

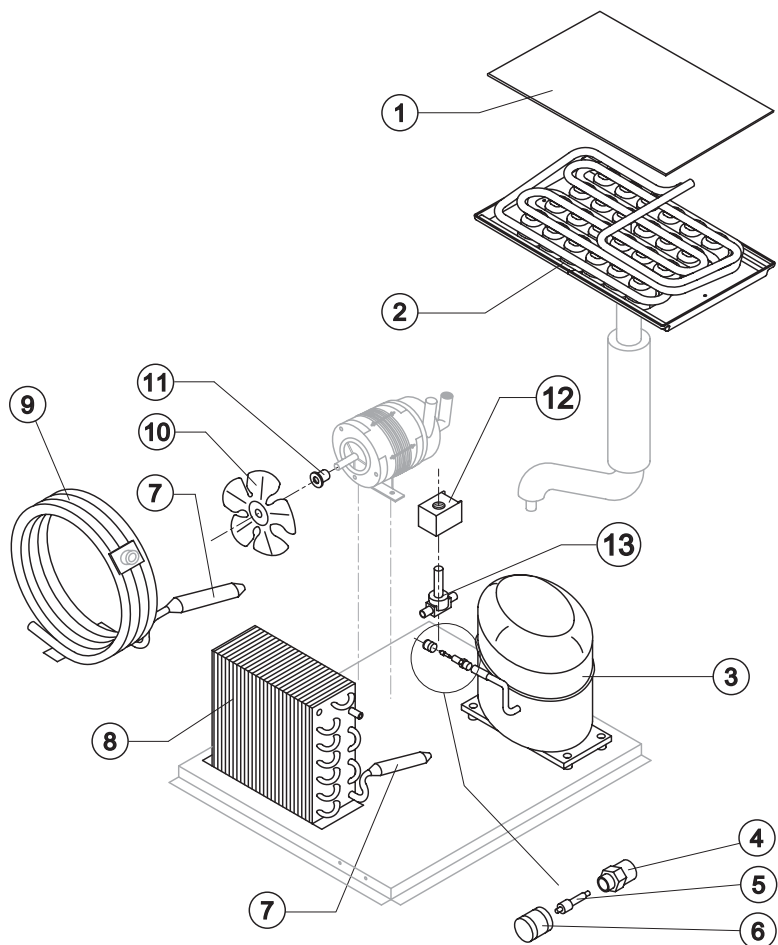


Ref.	Spare Description	Code
1	Top Assembly	C22694
2	Rear Panel Assembly	C21199
3	Rear Grid	D12006
4	Side Panel with Door	C22236
5	Adjustable Stainless Steel Foot	20613
6	Bulbe-holder Pipe	20522
7	Ice Dispenser Panel	22274
8	Glass Support	22183
9	Basin Cover Panel	22241
10*	Ice Dispenser Push Button Assembly	C26544
11*	Microswitch	23055
12	Frame + Grid & Filter	C10205
13*	Filtering Panel	18106
14	Front Grid Panel	C22508
15	Door Assy	C10297
16	Tap Cover	22197
17	Foamed Cabinet Assy	See Table
18	Base Plate	21282

Ref. 1 - Foamed Cabinet Assy

Condensation	Code
Air	RC11033A
Water	RC11033W

Rev. 9 - 21/06/2011



Common Parts

Ref.	Spare Description	Code
1	Evaporator Cover Panel	10023
2	Evaporator	See Table -
3	Compressor	See Table -
4	Vacuum-Charge Valve Body	14007
5*	Vacuum-Charge Valve Device	14005
6*	Vacuum-Charge Valve Plug	14006
7*	Molecular Drier	14009
10	Sucking Fan	10213
11	Fan Fixing Hub	10014
12*	Hot Gas Valve Coil	See Table -
13*	Hot Gas Valve Body	20410

Parts for Air-Cooled Version Only

Ref.	Spare Description	Code
8	Air Condenser	20019

Parts for Water-Cooled Version Only

Ref.	Spare Description	Code
9	Water Condenser	14014

Ref. 2 - Evaporator

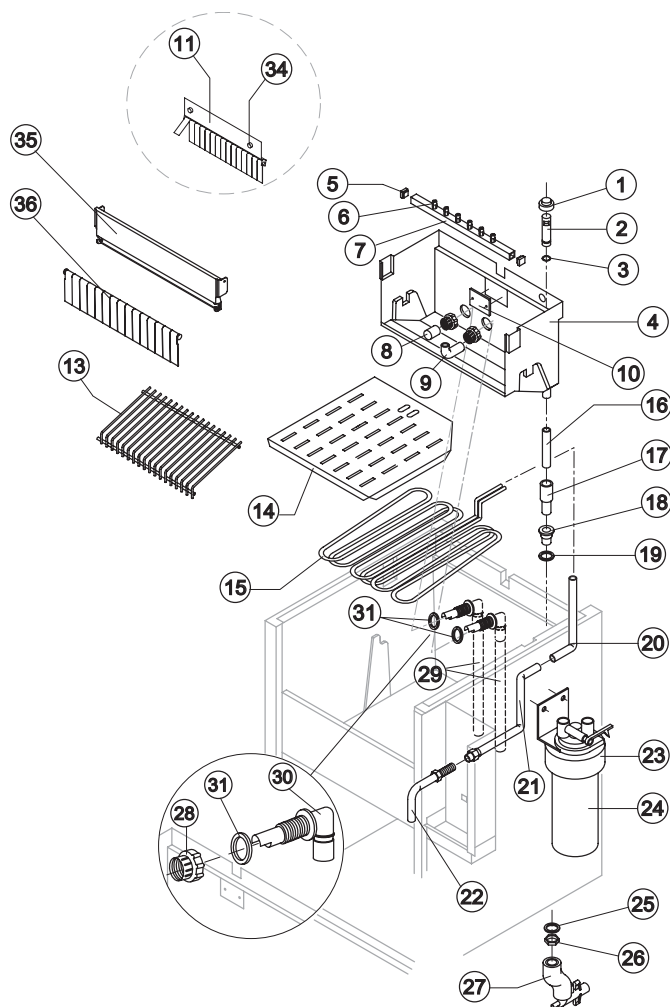
Kind of Cube	Code
18 g. (Standard)	D10046
33 g.	D10089
13 g.	D10417
42 g.	D10465

Ref. 3 - Compressor

Tension	Code
T11	23437
T12	23495A
T13	23678
T19	23678

Ref. 12* - Hot Gas Valve Coil

Tension	Code
T11	23091
T12	23091
T13	23256
T19	23256



Common Parts

Ref.	Spare Description	Code
1*	Overflow Cap	10305
2*	Overflow Pipe	10133
3*	OR Gasket for Overflow Pipe	20233
4	Inner Basin	10253
5	Sprayers Bar Plug	10012
6	Sprayer	D20002
7*	Sprayers Bar Assembly	See Table
8*	Pump Suction Filter	20005
9	Sprayers Feeding Pipe	13005
10	Slide Keep Plate	10009
11	Panel with Flags	Till s/n. 381278 C22035
13	Ice Cubes Slide	See Table
14	Coil Cover Grid	22242
15	Water Coil	14118
16*	Overflow Pipe	13108
17*	Overflow Pipe	C13045
18	Water Outlet Nipple	10472
19	Silicone Gasket	13006
20	Coil-Tap Connection Pipe	13156
21	Tap Delivery Pipe	14124
22	Tap	20195
23	"Everpure" Filter Flange	20296
24	"AC Everpure" Filter Cartridge	20302
25	Semirigid Polyethylene Gasket	13007
26	Bin Discharge Nut	10096
28	Fittings Locking Ring	10405
29	Pump Suction/Delivery Pipe	13139
30	Fitting of the Pump Suction/Delivery Pipes	10404
31	Gasket for Suction Line/Pump Delivery	13143
34	Fixing Screw	Till s/n. 381278 20009
35	Flags ABS Support	Current Version 10526
36	Rod with Flags	Current Version C10534

Ref. 7* - Sprayers Bar Ass.

Kind of Cube	Code
18 g. (Standard)	C20029
33 g.	C20155
13 g.	C20189
42 g.	C20155

Ref. 13 - Ice Cubes Slide

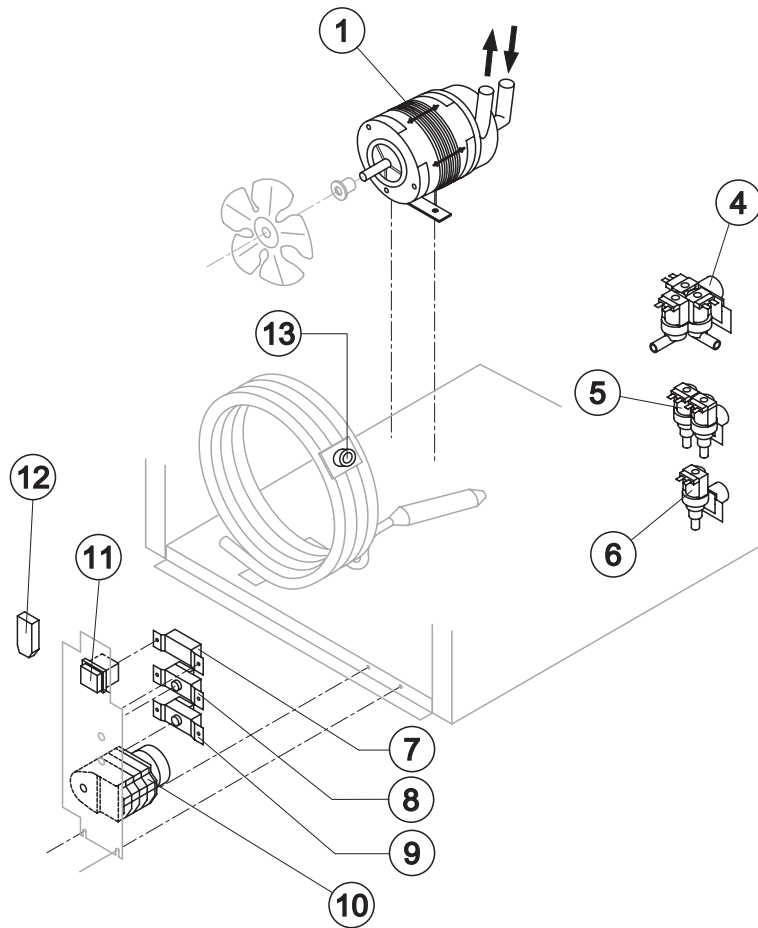
Kind of Cube	Code
18 g. (Standard)	D12008
33 g.	D12030
13 g.	D12038
42 g.	D12030

Parts for Air Cooled Version Only

Ref.	Spare Description	Code
27	Discharges Manifold	C26453

Parts for Water Cooled Version Only

Ref.	Spare Description	Code
27	Discharges Manifold	C26454



Common Parts

Ref.	Spare Description	Code
1*	Pump Assy	See Table
6*	1 Way- Water Inlet Valve	See Table
8*	Bin Thermostat	R23005
9*	Evaporator Thermostat	R23591
10*	Timer	See Table
11*	Green Light Switch (On-Off)	23327

Parts for Air-Cooled Version Only

Ref.	Spare Description	Code
5*	2 Ways- Water Inlet Valve	See Table

Parts for Water-Cooled Version Only

Ref.	Spare Description	Code
4*	3 Ways- Water Inlet Valve	See Table
7*	Condenser Pressure Switch	See Table
12	Anti Radio Interference Filter	Only T11
13*	Safety Thermostat	C23114

Rif. 1* - Pump Assy

Tension	Code
T11	C23377
T12	C23377
T13	C23663
T19	C23663

Rif. 4* - 3 Ways-Water Inlet Valve

Tension	Code
T11	C23174
T12	C23174
T13	C23294
T19	C23294

Ref. 5* - 2 Ways- Water Inlet Valve

Tension	Code
T11	C23191
T12	C23191
T13	C23293
T19	C23293

Ref. 6* - 1 Way- Water Inlet Valve

Tension	Code
T11	23220
T12	23220
T13	23281
T19	23281

Ref. 7* - Cond. Pressure Switch

Tension	Code
T11	23175
T12	23175
T13	23175
T19	23680

Ref. 10* - Timer

Tension	18 g Cube	33 g Cube	13 g Cube	42 g Cube
T11	23222	23248	23247	23780
T12	23248	23780	23247	23780
T13	23259	23786	23258	23786
T19	23259	23786	23258	23786