



G 250

LIST OF THE EXPLODED VIEWS



SHELL ASSY

COOLING SYSTEM

EVAPORATOR

HYDRAULIC CIRCUIT

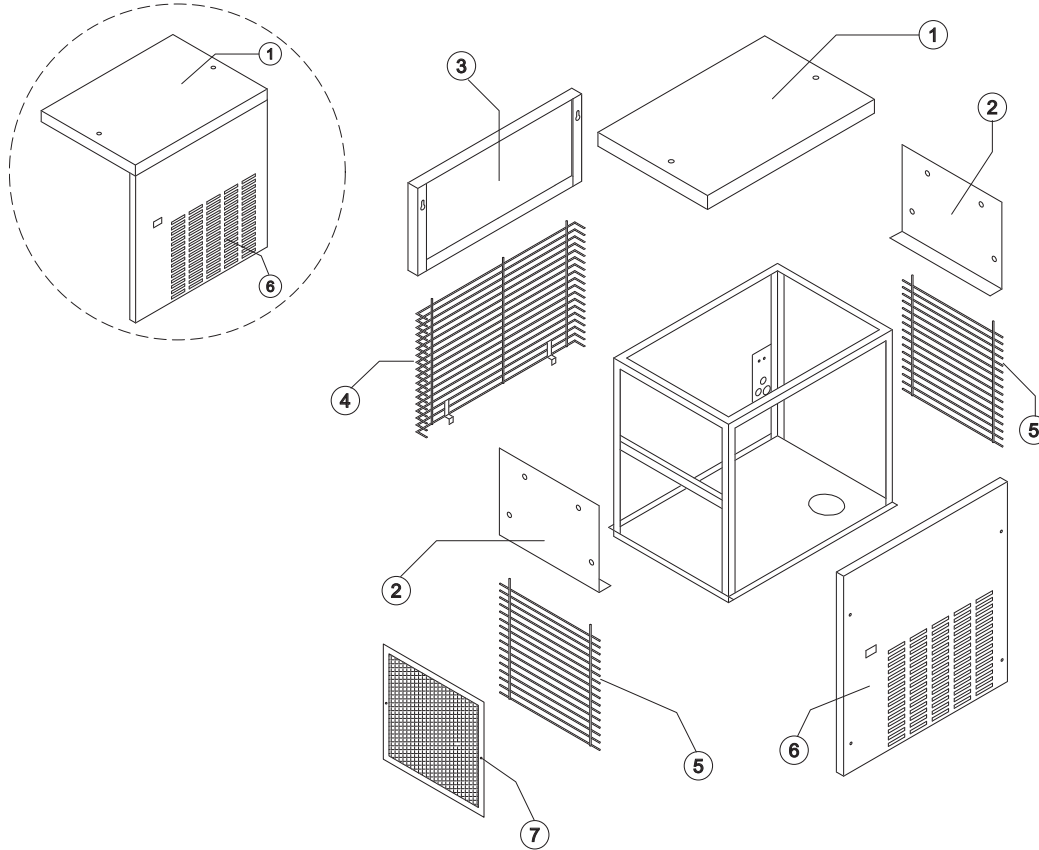
ELECTRIC PARTS



G 250

SHELL ASSY

Till s/n. 449326



Common Parts

Ref.	Spare Description	Code	
1	Top	Current Version	221122
1	Top	Till s/n. 449326	22667
2	Right/Left Side Panel		22663
3	Rear Panel		22665
4	Rear Grid		D12060
5	Lateral Grid		D12061
6	Front Panel Assembly	Current Version	221138
6	Front Panel Assembly	Till s/n. 449326	22662

Parts for Air-Cooled Version Only

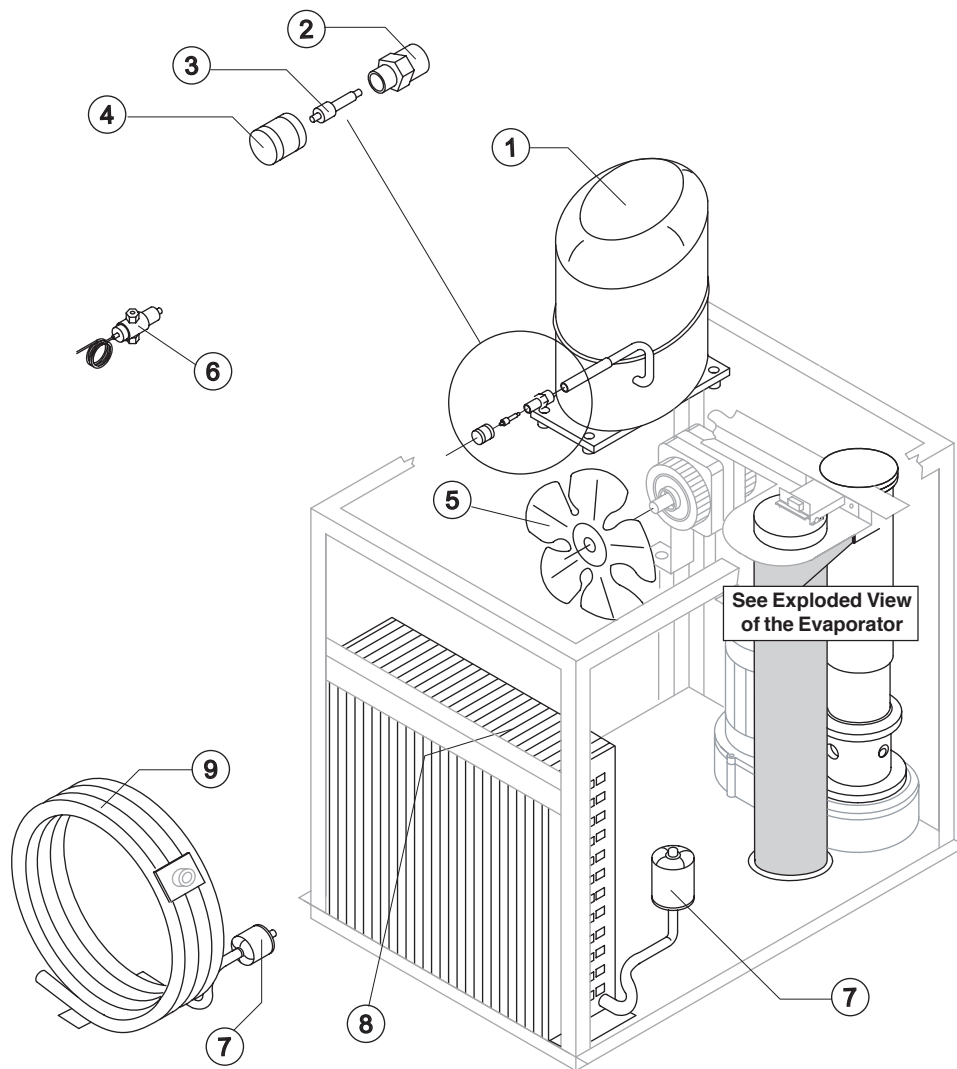
Ref.	Spare Description	Code
7*	Filter	18163

Rev. 10 - 22/06/2011



G 250

COOLING SYSTEM



Common Parts

Ref.	Spare Description	Code
1	Compressor	See Table
2	Vacuum-Charge Valve Body	14007
3*	Vacuum-Charge Valve Device	14005
4*	Vacuum-Charge Valve Plug	14006
7*	Solid Core Drier	14089

Parts for Air-Cooled Version Only

Ref.	Spare Description	Code
5	Sucking Fan	20407
8	Air Condenser	Current Version 20924
8	Air Condenser	Till s/n. 438969 20426

Parts for Water-Cooled Version Only

Ref.	Spare Description	Code
5	Sucking Fan	10213
6	Pressostatic Valve	20210
9	Water Condenser	14034

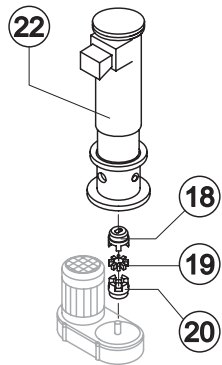
Ref. 1 - Compressor

Voltage	Code
T11	23454
T12	23573
T18	23573

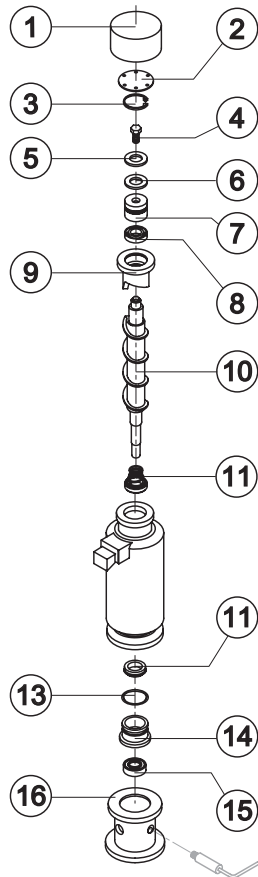


G 250

EVAPORATOR



**C11114.
KITNEVG250
till s/n.
230441.**



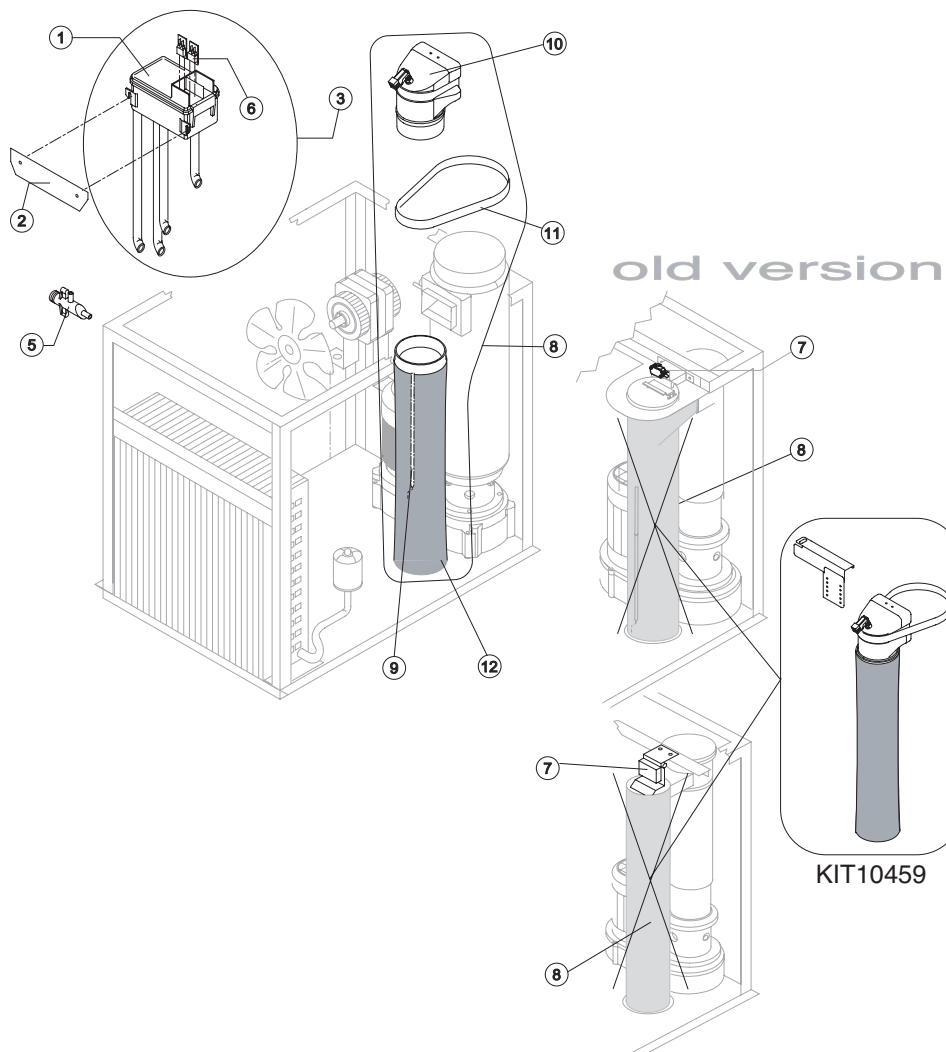
**For Complete
Evaporator, order
C11114**

Ref.	Spare Description (from s/n. 207807)	Code
1	Insulating Cap	18167
2	Closing Disk	22649
3	Seeger	20116
4	Stainless Steel Screw	20664
5	Shimming Disk	22829
6	Self-Lubricating Disk	20639
7	Stainless Steel Thrust Bearing	20685
8	OR Gasket 4137	20689
9	Ice Breaker	20683
10	Auger	20684
11	Ceramic Seal	20633
13	OR Gasket 3218 NBR	20655
14	Reduction Ring	20659
15	Stainless Steel Bearing	20112
16	Flange	20644
18	Semi-Joint Upper	D20654
19	Vibration-Damping Elastomer	20494
20	Semi-Joint Lower	D20493
22	Evaporator Assy	Current Version C11114
22	Evaporator Assy	Till s/n. 230441 KITNEVG250



G 250

HYDRAULIC CIRCUIT



For ice makers till s/n. 230441 if you must substitute both ref. 7 and ref. 8 order the KIT10459.

Common Parts

Ref.	Spare Description	Code
1	Double Switch Basin	10145
2	Basin Support Plate	21133
3*	Double Switch Basin Assembly	C10201
6	Microswitch	23055
7	Bin Level Control Microswitch	From s/n. 230442 till s/n. 497736 23930
7	Bin Level Control Switch Assy	Till s/n. 230441 C22099
8	Complete Ice Outlet Pipe Assy	Current Version C10594
8	Complete Ice Outlet Pipe Assy	Till s/n. 497736 KIT10459
9	Bin bulb holder	20621
10*	Ice Exhaust with Micro Assy	Current Version C10585
11	Locking Exhaust Strip	Current Version 25049
12	Ice Outlet Pipe with Bin bulb holder	Current Version C10587

Parts for Air-Cooled Version Only

Ref.	Spare Description	Code
5	Discharges Manifold	10579

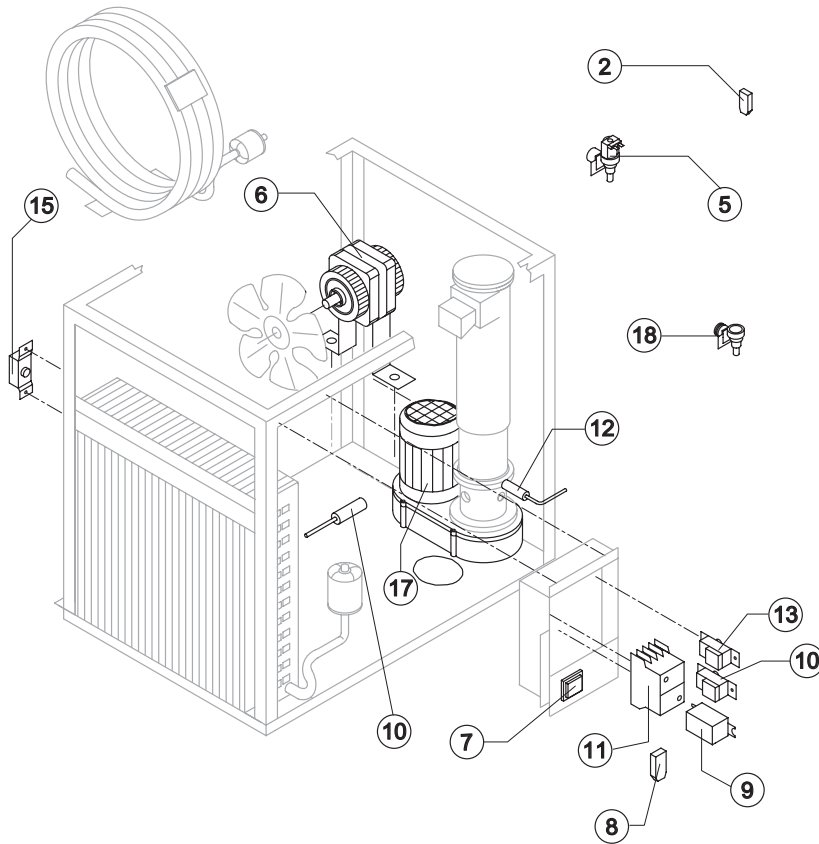
Parts for Water-Cooled Version Only

Ref.	Spare Description	Code
5	Discharges Manifold	C10053



G 250

ELECTRIC PARTS



Common Parts

Ref.	Spare Description	Code
2	Anti Radio Interference Filter	C23457
5*	1 Way- Water Inlet Valve	23115
7*	Green Light Switch (On-Off)	23327
10	Low pressure safety switch	Current Version 23909
10	Evaporator Thermostat	Till s/n. 449741 R23034
11*	Contactor	See Table -
12*	Rotation Sensor	R23676
13*	Bin Thermostat	R23421
15	Safety Pressure-Switch	23342
17	Gearmotor	See Table

Parts for Air-Cooled Version Only

Ref.	Spare Description	Code
6*	Fan Motor	23121
8	Anti Radio Interference Filter	C23459
9*	Condenser Pressure Switch	See Table -

Parts for Water-Cooled Version Only

Ref.	Spare Description	Code
2*	Fan Motor	See Table -
18	1 Way- Water Inlet Nipple	10368

Ref. 2* - Fan motor -
Water cooled version

Voltage	Code
T11	23029
T12	23029
T18	23682

Ref. 9* - Cond. Pressure Switch

Voltage	Code
T11	23175
T12	23175
T18	23680

Ref. 11* - Contactor

Voltage	Code
T11	23147
T12	23963
T18	23963

Ref. 17 - Gearmotor

Voltage	Code
T11	23638
T12	23638
T18	23853

Rev. 10 - 22/06/2011