

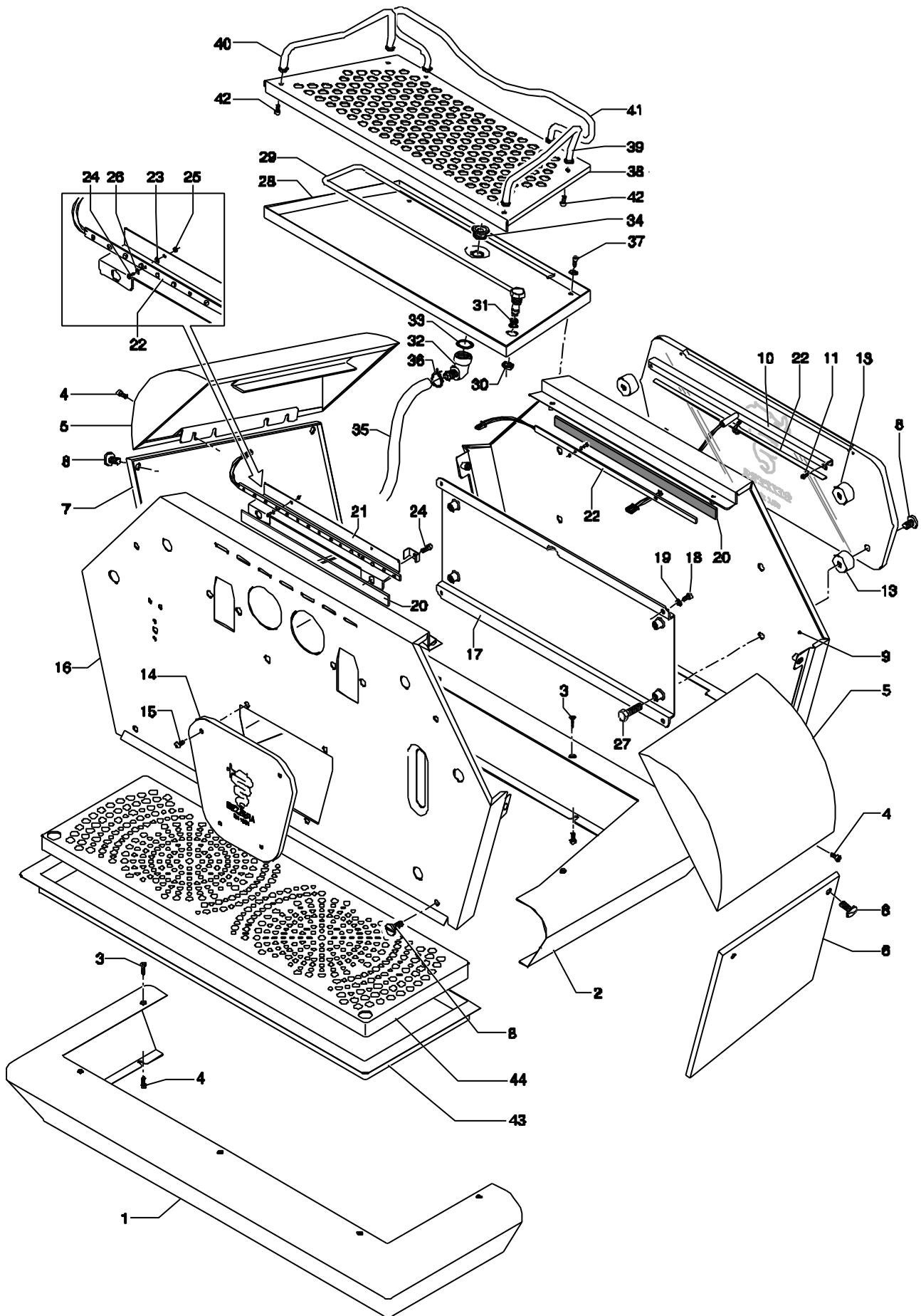


# GALATEA



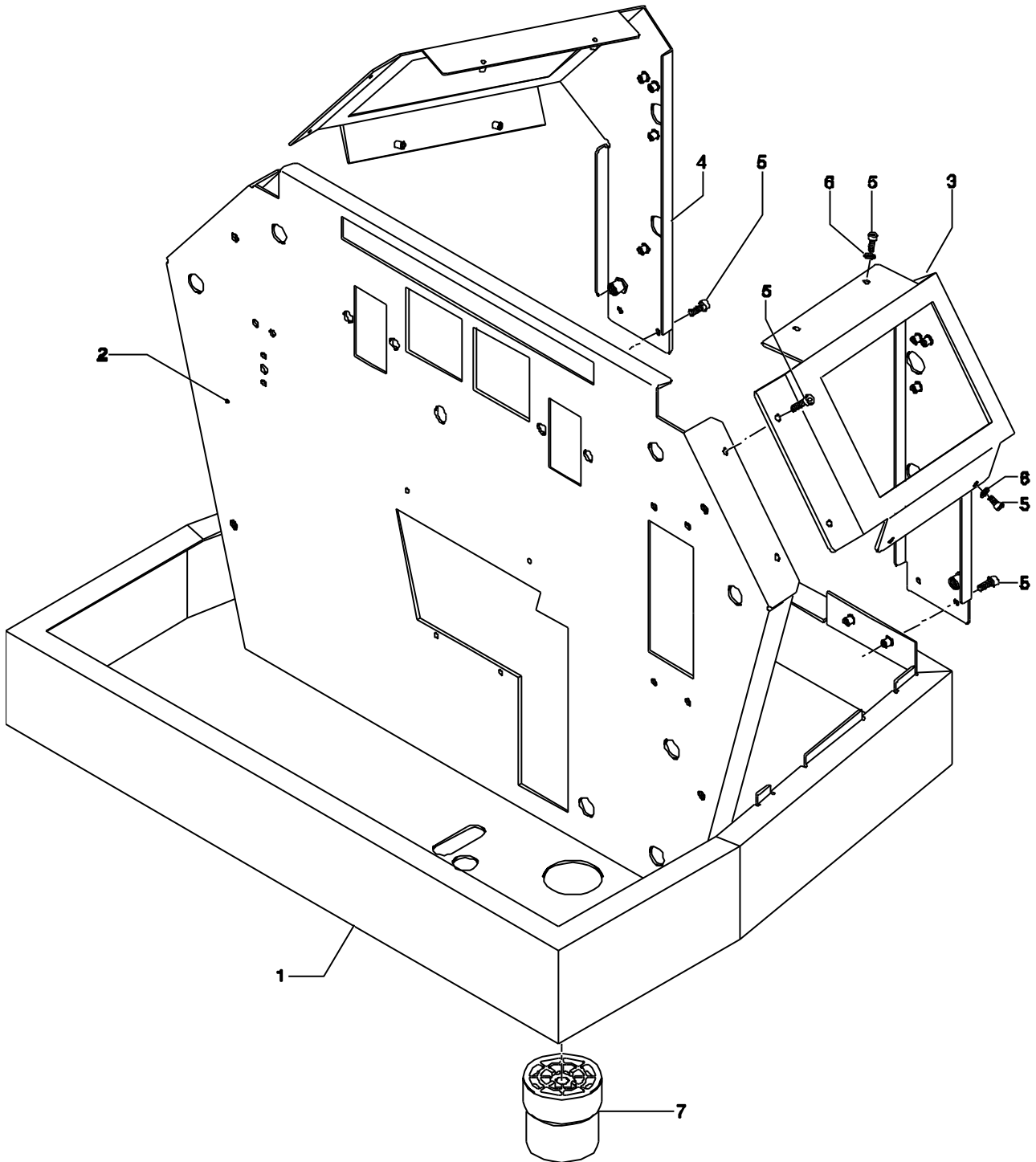


| POS | DESCRIPTION                    | CODE      | REFERENCE |
|-----|--------------------------------|-----------|-----------|
| 01  | FRONT BASEMENT FRONTAL         | 5074423DL | -         |
| 02  | REAR BASEMENT FRONTAL          | 5074424DL | -         |
| 03  | SCREW TPS M4 X 16 DIN 7688 A2  | 7817801   | -         |
| 04  | SCREW TCEI M4X12 UNI 5931 A2   | 7816002   | -         |
| 05  | RIGHT-LEFT LATERAL SIDE        | 5340500LL | -         |
| 06  | RIGHT LATERAL SIDE             | 5073628LW | -         |
| 07  | LEFT LATERAL SIDE              | 5073629LW | -         |
| 08  | SCREW M8 X 18 OT NICKEL-PLATED | 5227003NE | -         |
| 09  | CENTRAL PANEL                  | 5961532   | -         |
| 10  | PLEXIGLASS SUPPORT             | 5098405LL | -         |
| 11  | SCREW TCEI M3X6                | 7816016   | -         |
| 12  | REAR PANEL PLEXIGLASS          | 5370002   | -         |
| 13  | SPACER Ø20 H15                 | 1R1322CM  | -         |
| 14  | FRONT COVER                    | 5093012LW | -         |
| 15  | SCREW TTEI M4X20               | 7819902   | -         |
| 16  | GROUP FRONTAL                  | 5094247LL | -         |
| 17  | FRAME CROSS BAR                | 5015743LL | -         |
| 18  | SCREW TTEI M4X12               | 7819901   | -         |
| 19  | WASHER Ø 4                     | 7814001   | -         |
| 20  | PLEXIGLASS SCREEN              | 5370001   | -         |
| 21  | FRONT LIGHT BAR SUPPORT        | 5058423LW | -         |
| 22  | 24V BLUE LIGHT BAR             | 7663620   | -         |
| 23  | WASHER D4 NYLON                | 7374004   | -         |
| 24  | SCREW TCI M2X8                 | 7816212   | -         |
| 25  | NUT M2                         | 7812610   | -         |
| 26  | WASHER PTFE Ø4X2 H2            | 5194543   | -         |
| 27  | SCREW TE M8X20                 | 7806406ZB | -         |
| 28  | CUPS-HEATER                    | 5050617LW | -         |
| 29  | STEAM CUP-HEATER PIPE          | 5162179LL | -         |
| 30  | NUT M12X1 H3,5                 | 5221825   | -         |
| 31  | GASKET OR 106 VITON            | 7496023   | -         |
| 32  | RUBBER-HOLDER D11 OT           | 5224403   | -         |
| 33  | GASKET D25 X 17 X 2            | 5492022   | -         |
| 34  | FITTING 3/8"G                  | 5225230   | -         |
| 35  | HOSE Ø15X10 L=460MM SILICONE   | 3194502   | -         |
| 36  | CLAMP D14                      | 7611502   | -         |
| 37  | SCREW TTEI M4X8                | 7819908   | -         |
| 38  | CUPS-HEATER GRID               | 5074611LW | -         |
| 39  | RH CUP-HEATER PIPE             | 5163184CM | -         |
| 40  | LH CUP-HEATER PIPE             | 5163185CM | -         |
| 41  | REAR CUP-HEATER EDGE PIPE      | 5163186CM | -         |
| 42  | SCREW TCEI M4 X 6              | 7816017   | -         |
| 43  | TRAY POLISHED                  | 5070653ST | -         |
| 44  | GRID                           | 5074610LW | -         |
| 45  | FRONT LIGHT SUPPORT BRACKET    | 5038103LW | -         |
| 46  | ADHESIVE RUBBER TOP            | 7999904   | -         |



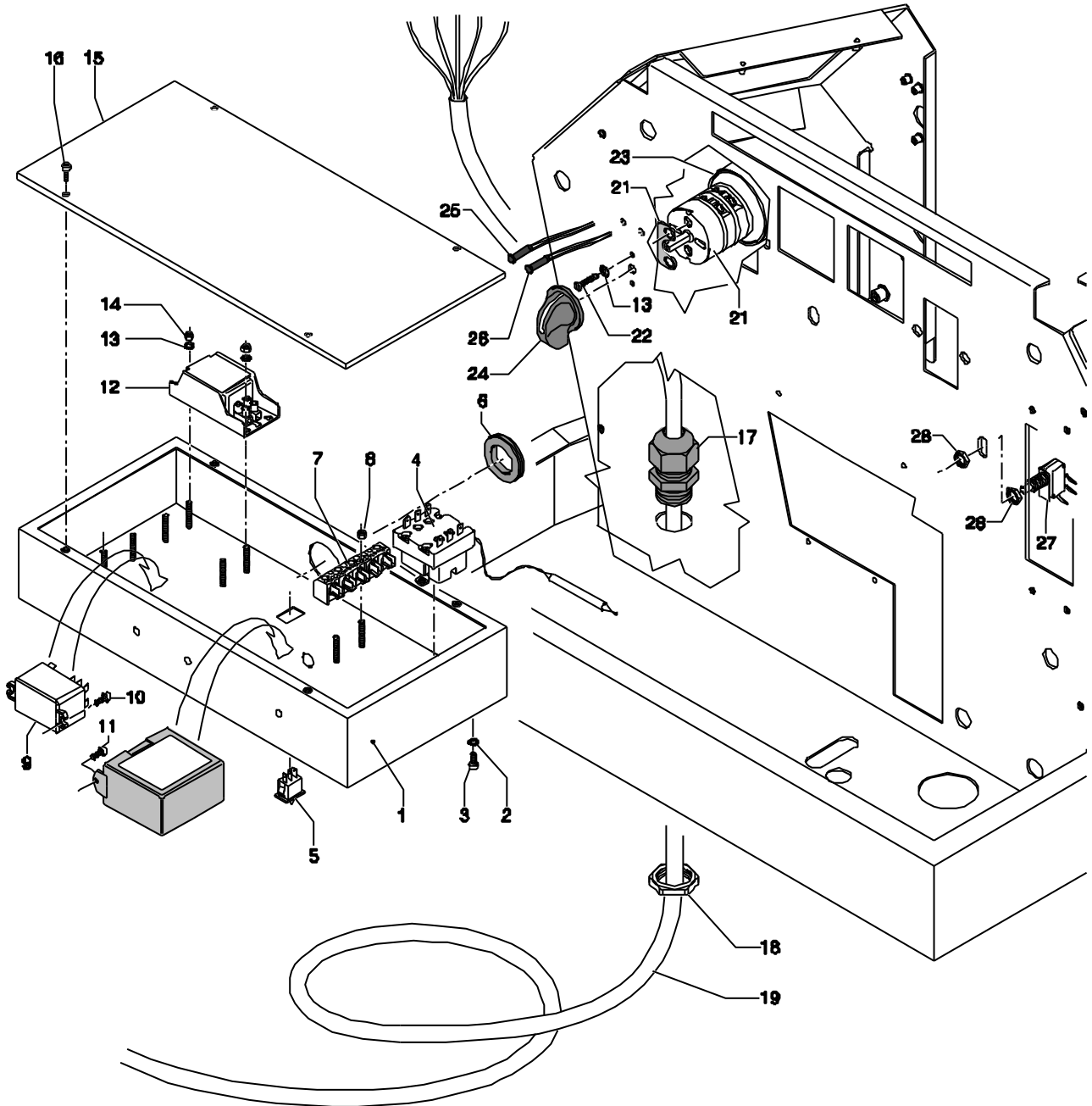


| <b>POS</b> | <b>DESCRIPTION</b> | <b>CODE</b> | <b>REFERENCE</b> |
|------------|--------------------|-------------|------------------|
| 01         | CHASSIS BASEMENT   | 5010917LL   | -                |
| 02         | FRAMEWORK          | 5343070LL   | -                |
| 03         | RIGHT SHOULDER     | 5017207LL   | -                |
| 04         | LEFT SHOULDER      | 5017208LL   | -                |
| 05         | SCREW TTEI M4X12   | 7819901     | -                |
| 06         | WASHER Ø 4         | 7814001     | -                |
| 07         | FEET               | 7474215     | -                |





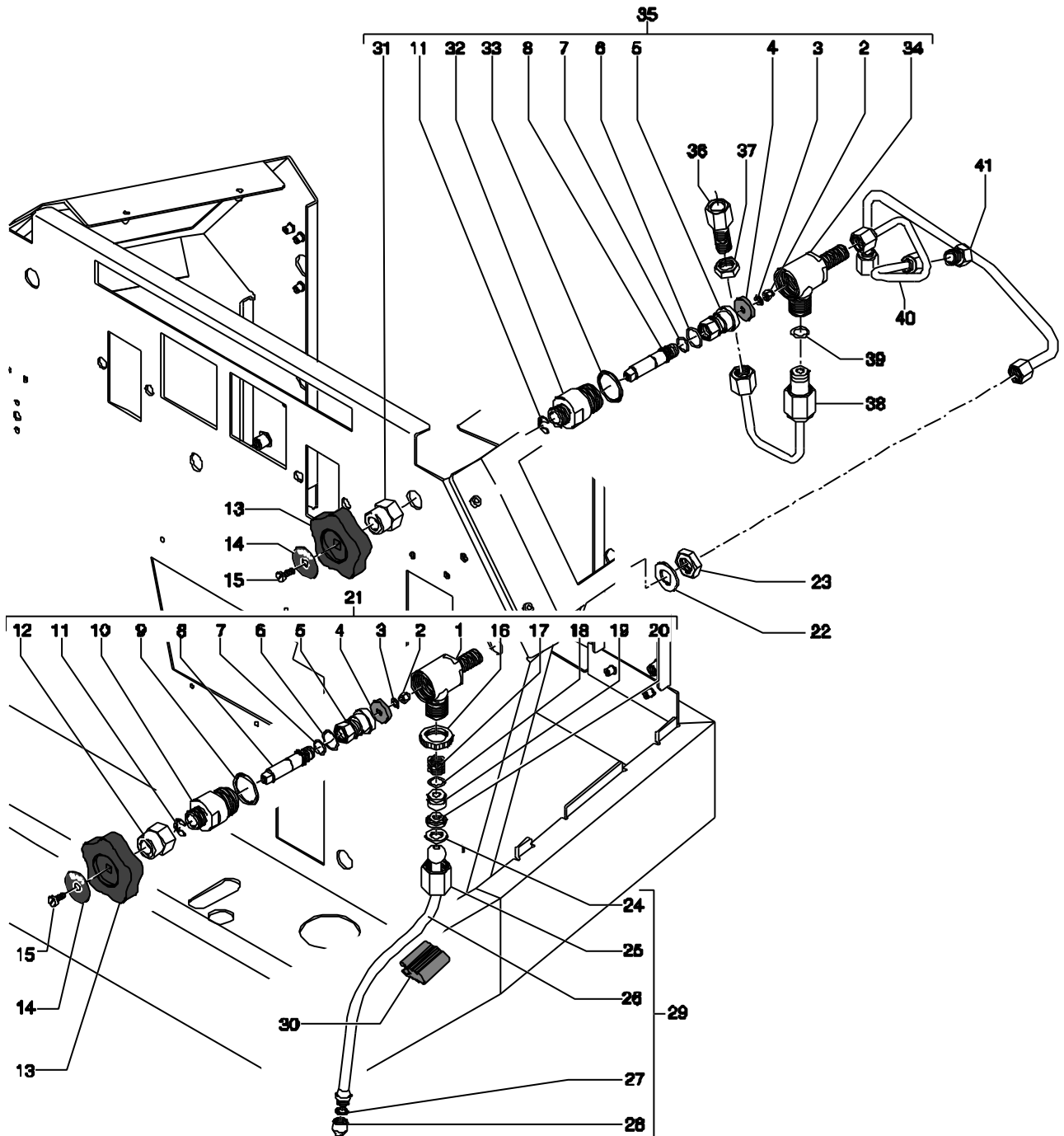
| POS | DESCRIPTION  | CODE       | REFERENCE |
|-----|--|------------|-----------|
| 01  | ELECTRIC BOX   | 5052403LL  | -         |
| 02  | WASHER Ø 4   | 7814001    | -         |
| 03  | SCREW TCEI M4X6  | 7816017    | -         |
| 04  | THERMOSTAT MANUAL  | 7434001    | -         |
| 05  | LIGHT SWITCH   | 7633324    | -         |
| 06  | FAIRLEAD P36 RUBBER  | 7613001    | -         |
| 07  | CLAMP 5 CONTACTS KL24/5  | 7612501    | -         |
| 08  | NUT M4 NYLON   | 5195001    | -         |
| 09  | RELAY 30A 240V   | 7635422    | -         |
| 09  | 2-CONTACT 30A 120V RELAY   | 7635423    | -         |
| 10  | SCREW TCEI M4X10   | 7816009    | -         |
| 11  | SCREW TCEI M4X16   | 7816004    | -         |
| 12  | TRANSFORMER 95-240/24V 10W   | 7660502    | -         |
| 13  | GROWER WASHER Ø4   | 7813801    | -         |
| 15  | ELECTRIC BOX COVER   | 5053013LW  | -         |
| 16  | SCREW TTEI M4X8  | 7819908    | -         |
| 17  | CABLE-PRESS PG21 POLYAMIDE   | 7614002    | -         |
| 18  | NUT PG21 POLYAMIDE   | 7614004    | -         |
| 19  | CONNECTING CABLE H07RNF 5X2,5 MM <sup>2</sup> L=3MT (1-2-3-4GR 380-230/400V) | 3553904    | -         |
| 19  | CABLE SOOW 3X10AWG L=2,2MT (110V-220V USA)                                   | 3556003    | -         |
| 20  | BASEMENT SWITCH 2 POSITIONS 4 CONTACTS                                       | 7633305    | -         |
| 21  | INSULATING   | 5859911    | -         |
| 22  | SCREW TCI M3,5X15  | 7630901    | -         |
| 23  | SWTCH PROTECTION PLASTIC   | 7372503    | -         |
| 24  | SWITCH KNOB  | 7371510    | -         |
| 25  | GREEN LAMP 110/240V  | 7633602    | -         |
| 26  | RED LAMP 230V  | 7633606    | -         |
| 27  | MICROSWITCH 250V (UP TO 09/10/05)  | 7633901    | -         |
| 27  | MICROSWITCH 250V (FROM 10/10/05)   | 7633906    | -         |
| 28  | NUT M10X1 (UP TO 09/10/05)   | 5221874CM  | -         |
| 28  | NUT M10X0,75 (FROM 10/10/05)   | 5221875CM  | -         |
| 29  | LEVEL REGULATOR 3 PROBES 110/120V  | 7661033.01 | -         |
| 29  | LEVEL REGULATOR 3 PROBES 220/230V  | 7661034.01 | -         |
| 29  | LEVEL REGULATOR 3 PROBES 240V  | 7661035.01 | -         |





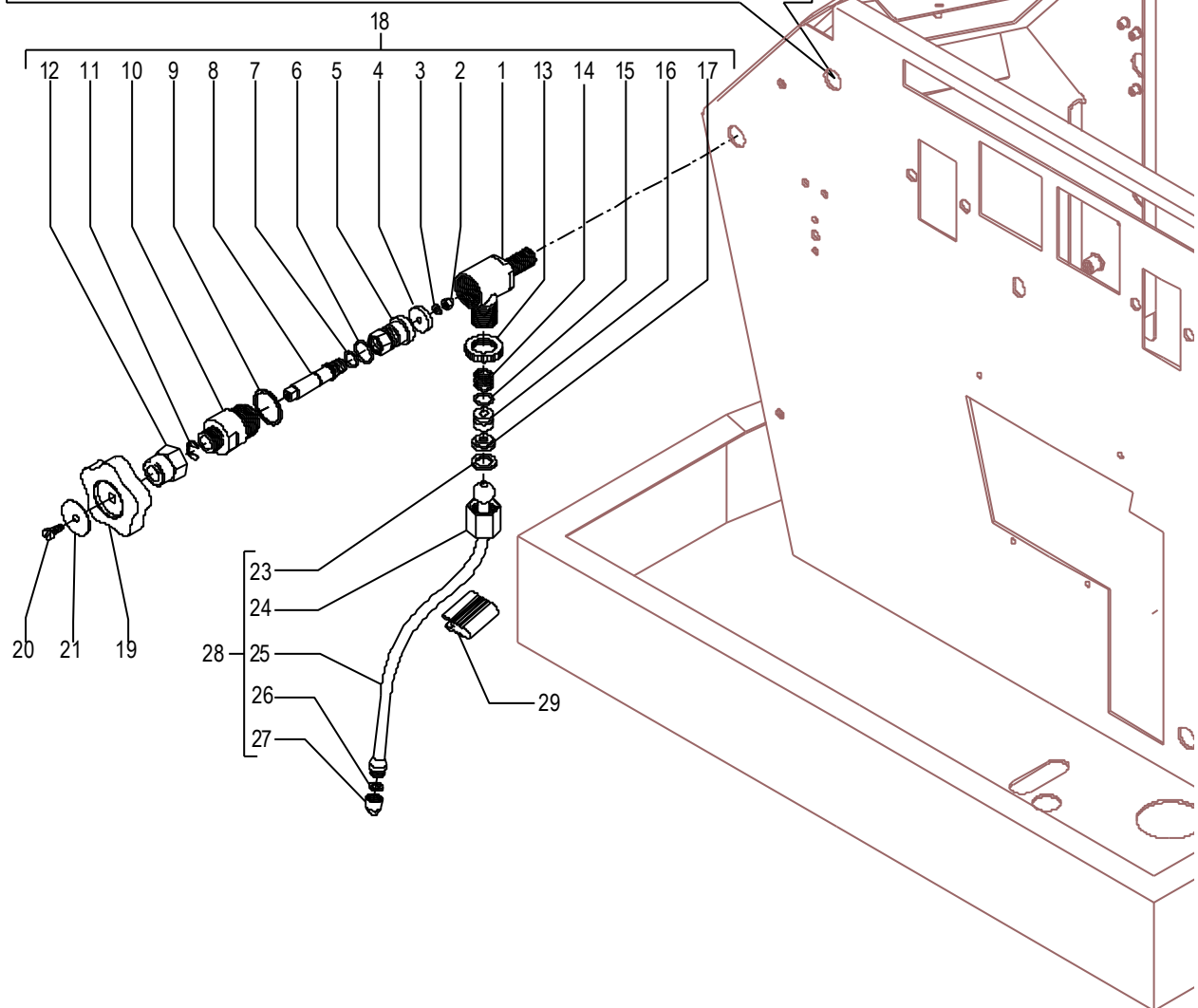
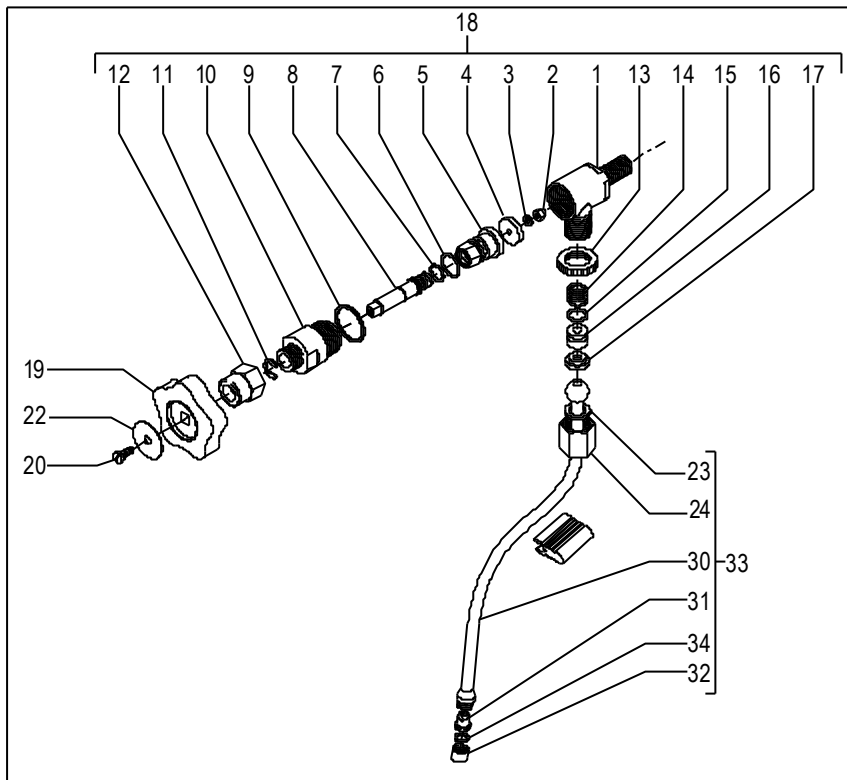
| POS | DESCRIPTION                       | CODE       | REFERENCE |
|-----|-----------------------------------|------------|-----------|
| 01  | TAP BODY                          | 5283033CM  | -         |
| 02  | CAP NUT M4 OT                     | 7822201    | -         |
| 03  | PLAIN WASHER D8 X 4 X 0.8 OT      | 7825001    | -         |
| 04  | TAP GASKET EPT 70SH               | 5493023    | -         |
| 05  | GASKET-HOLDER WITH DOWEL          | 5970504.01 | -         |
| 06  | OR GASKET 115 VITON               | 7496002    | -         |
| 07  | OR GASKET 10,82X1,78 VITON        | 7496075    | -         |
| 08  | ROD                               | 5220413CM  | -         |
| 09  | GASKET D28 X 1 CHROMED BRASS      | 5495001CM  | -         |
| 10  | NUT SCREW                         | 5223402CM  | -         |
| 11  | RING D7 UNI 7434 A2               | 7810601    | -         |
| 12  | NUT 3/8"G ES.22 H22 OT CHROMED    | 5221804CM  | -         |
| 13  | TAP KNOB                          | 7371509    | -         |
| 14  | STEAM PLATE - ITALIAN             | 5522055    | -         |
| 14  | STEAM PLATE - ENGLISH             | 5522058    | -         |
| 14  | STEAM PLATE - FRENCH              | 5522050    | -         |
| 14  | STEAM PLATE - GERMAN              | 5522054    | -         |
| 15  | SCREW TEB M5X10                   | 7826410CM  | -         |
| 16  | RING NUT D27 X M18 X 4 OT CHROMED | 5222801CM  | -         |
| 17  | SPRING D14 AISI 302               | 5471504    | -         |
| 18  | GASKET OR 112 EPDM 70SH           | 7496076    | -         |
| 19  | GASKET-HOLDER D14.7 X 10.5 OT     | 5224605    | -         |
| 20  | GASKET D16X6X6 PTFE GRAPHITIZED   | 5494002    | -         |
| 21  | WATER/STEAM TAP ASSY              | 5964063    | -         |
| 22  | WASHER D14 X 20 X 1.5 COPPER      | 5221869    | -         |
| 23  | NUT M13 H4 OT                     | 5221801    | -         |
| 24  | GASKET Ø16X13,2X2 PTFE            | 5494009    | -         |
| 25  | NUT M18X1                         | 5221871CM  | -         |
| 26  | STEAM HOSE                        | 5163172CM  | -         |
| 27  | GASKET D8.5 X 5 X 3.2 PTFE        | 5494001    | -         |
| 28  | STEAM HOSE TERMINAL CHROMED       | 5226602    | -         |
| 29  | ASSEMBLY STEAM HOSE               | 5966533    | -         |
| 30  | INSULATING                        | 7371001    | -         |
| 32  | NUT SCREW                         | 5223402    | -         |
| 33  | GASKET D28 X 1 COPPER             | 5495001    | -         |
| 34  | TAP BODY OT                       | 5283002    | -         |
| 35  | STEAM CUP-HEATER TAP ASSY         | 5964064    | -         |
| 36  | FITTING M12X1 H42                 | 5225243    | -         |
| 37  | NUT M12X1 H3,5                    | 5221825    | -         |
| 38  | CUP-HEATER TAP OUTLET PIPE        | 5162214LL  | -         |
| 39  | GASKET OR 112 EPDM 70SH           | 7496076    | -         |
| 40  | CUP-HEATER TAP INLET PIPE         | 5162215LL  | -         |
| 41  | RIGHT STEAM TAP HOSE              | 5163179LL  | -         |





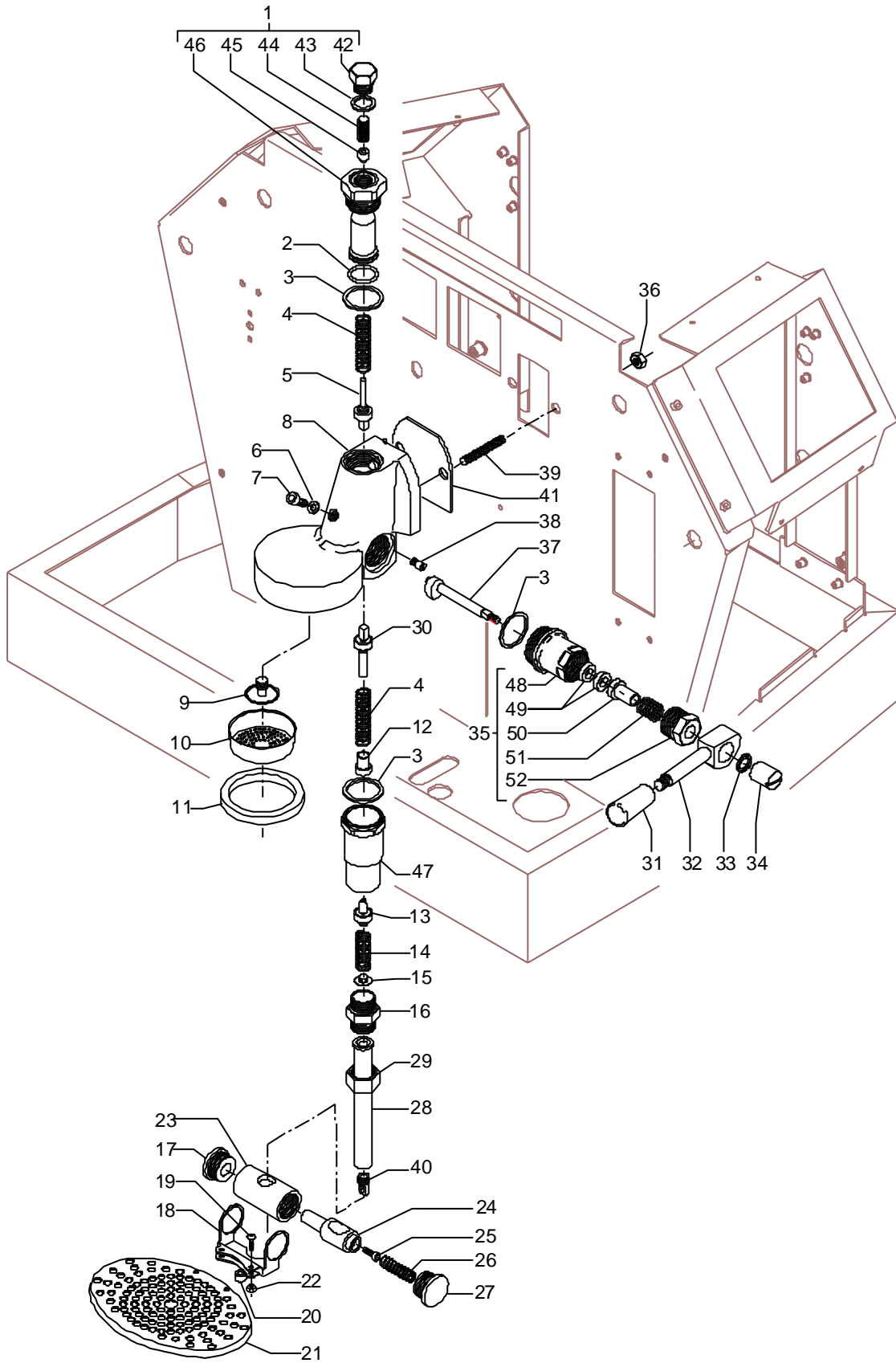


| POS | DESCRIPTION                       | CODE       | REFERENCE |
|-----|-----------------------------------|------------|-----------|
| 01  | TAP BODY                          | 5283033CM  | -         |
| 02  | CAP NUT M4 OT                     | 7822201    | -         |
| 03  | PLAIN WASHER D8 X 4 X 0.8 OT      | 7825001    | -         |
| 04  | TAP GASKET EPT 70SH               | 5493023    | -         |
| 05  | GASKET-HOLDER WITH DOWEL          | 5970504.01 | -         |
| 06  | OR GASKET 115 VITON               | 7496002    | -         |
| 07  | OR GASKET 10,82X1,78 VITON        | 7496075    | -         |
| 08  | ROD                               | 5220413CM  | -         |
| 09  | GASKET D28 X 1 CHROMED BRASS      | 5495001CM  | -         |
| 10  | NUT SCREW                         | 5223402CM  | -         |
| 11  | RING D7 UNI 7434 A2               | 7810601    | -         |
| 12  | NUT 3/8"G ES.22 H22 OT CHROMED    | 5221804CM  | -         |
| 13  | RING NUT D27 X M18 X 4 OT CHROMED | 5222801CM  | -         |
| 14  | SPRING D14 AISI 302               | 5471504    | -         |
| 15  | GASKET OR 112 EPDM 70SH           | 7496076    | -         |
| 16  | GASKET-HOLDER D14.7 X 10.5 OT     | 5224605    | -         |
| 17  | GASKET D16X6X6 PTFE GRAPHITIZED   | 5494002    | -         |
| 18  | WATER/STEAM TAP ASSY              | 5964063    | -         |
| 19  | TAP KNOB                          | 7371509    | -         |
| 20  | SCREW TEB M5X10                   | 7826410CM  | -         |
| 21  | STEAM PLATE - ITALIAN             | 5522055    | -         |
| 21  | STEAM PLATE - ENGLISH             | 5522058    | -         |
| 21  | STEAM PLATE - FRENCH              | 5522050    | -         |
| 21  | STEAM PLATE - GERMAN              | 5522054    | -         |
| 22  | WATER PLATE - ITALIAN             | 5522056    | -         |
| 22  | WATER PLATE - ENGLISH             | 5522057    | -         |
| 22  | WATER PLATE - FRENCH              | 5522051    | -         |
| 22  | WATER PLATE - GERMAN              | 5522053    | -         |
| 23  | GASKET Ø16X13,2X2 PTFE            | 5494009    | -         |
| 24  | NUT M18X1                         | 5221871CM  | -         |
| 25  | STEAM HOSE                        | 5163172CM  | -         |
| 26  | GASKET D8.5 X 5 X 3.2 PTFE        | 5494001    | -         |
| 27  | STEAM HOSE TERMINAL CHROMED       | 5226602    | -         |
| 28  | ASSEMBLY STEAM HOSE               | 5966533    | -         |
| 29  | INSULATING                        | 7371001    | -         |
| 30  | WATER HOSE                        | 5163173CM  | -         |
| 31  | FITTING M22 H25                   | 5225226CM  | -         |
| 32  | WATER TERMINAL                    | 5226601CM  | -         |
| 33  | ASSEMBLY WATER HOSE               | 5966534    | -         |
| 34  | GASKET Ø20.5 X 15 NBR             | 5493003    | -         |



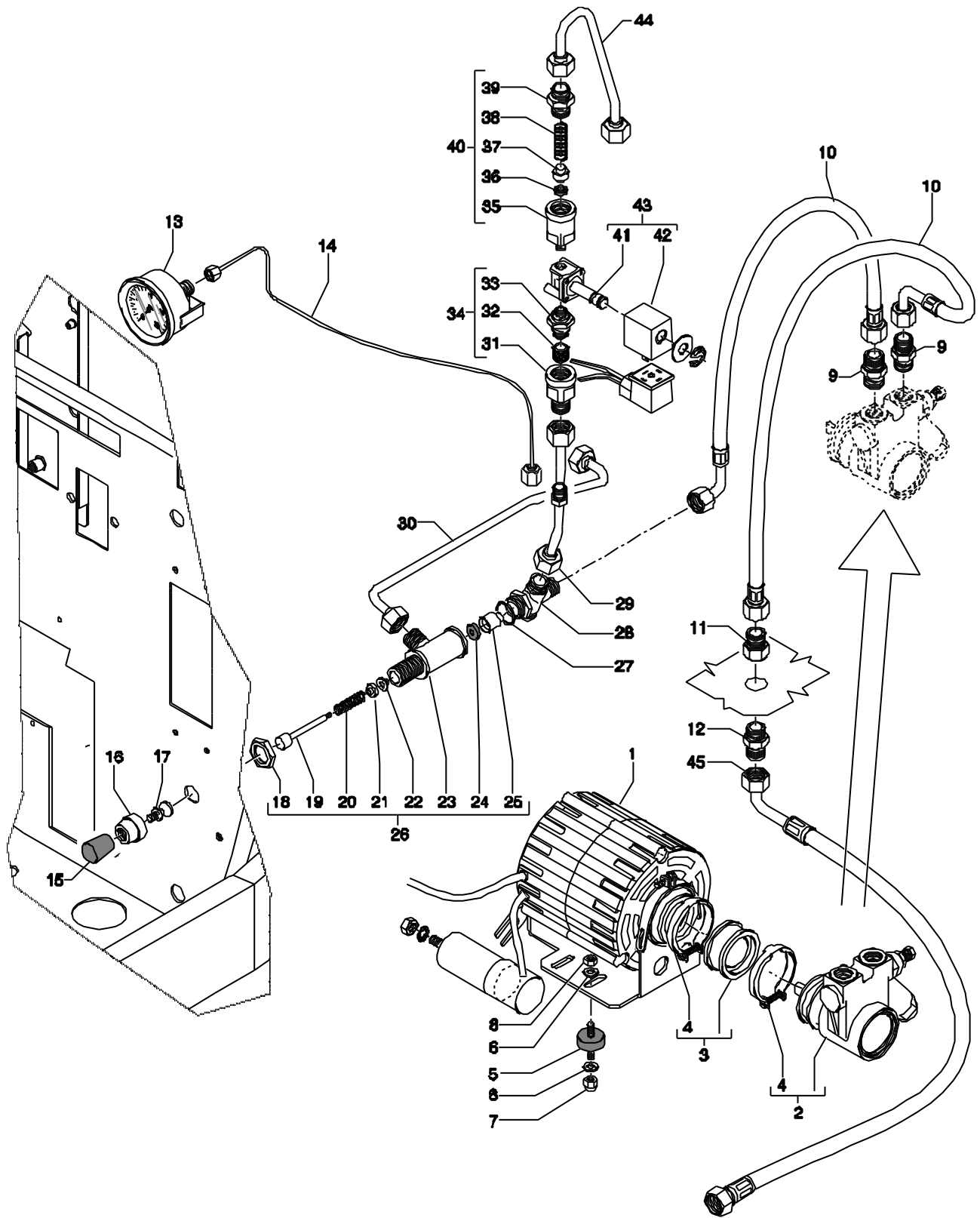


| POS | DESCRIPTION                     | CODE       | REFERENCE |
|-----|---------------------------------|------------|-----------|
| 01  | INJECTOR Ø0.7 UPPER SLEEVE ASSY | 7479933    | -         |
| 02  | GASKET OR 128 VITON             | 7479934    | -         |
| 03  | GASKET TF Ø35X30X2              | 7479935    | -         |
| 04  | DELIVERY VALVE SPRING           | 7479936    | -         |
| 05  | DELIVERY VALVE ASSY             | 7479937    | -         |
| 06  | GASKET TF Ø10X6X1               | 7479938    | -         |
| 07  | SCREW TCE M6X8                  | 7479939    | -         |
| 08  | DELIVERY GROUP BODY             | 7479940    | -         |
| 09  | SPRAYER Ø30                     | 7479941    | -         |
| 10  | SHOWER FILTER                   | 5471022    | -         |
| 11  | UNDERCUP GASKET                 | 5493039    | -         |
| 12  | SPRING GUIDE BUSHING            | 7479942    | -         |
| 13  | ASSEMBLY RELIEF VALVE           | 7479943    | -         |
| 14  | DRAIN SPRING                    | 7479944    | -         |
| 15  | JET-BREAKER BUSHING Ø15X6       | 7479945    | -         |
| 16  | FITTING MM 1/2"GX1/2"G          | 5302060CM  | -         |
| 17  | BLIND PLUG M24X1                | 5226412CM  | -         |
| 18  | GRID HINGE                      | 5072100LW  | -         |
| 19  | SCREW TTEI M4X12                | 7819901    | -         |
| 20  | SPACER Ø10 H6,5                 | 5222213CM  | -         |
| 21  | DRIP TRAY GRID                  | 5074609LW  | -         |
| 22  | CAP NUT M4                      | 7822201CM  | -         |
| 23  | OUTSIDE CYLINDER                | 5221204CM  | -         |
| 24  | INSIDE CYLINDER                 | 5221203CM  | -         |
| 25  | SCREW TCEI M4X8                 | 7816007LL  | -         |
| 26  | SPRING Ø9,5X40                  | 5471515    | -         |
| 27  | PERFORATED PLUG M24X1           | 5226413CM  | -         |
| 28  | DRAIN HOSE                      | 5221202CM  | -         |
| 29  | NUT 1/2"G                       | 5221873CM  | -         |
| 30  | ASSEMBLY VALVE                  | 7479946    | -         |
| 31  | KNOB FOR LEVER                  | 7371511.01 | -         |
| 32  | DELIVERY LEVER                  | 7479931    | -         |
| 33  | WASHER Ø8                       | 7479947    | -         |
| 34  | CAP Ø15XM6                      | 7479948    | -         |
| 35  | CAM FLANGE ASSY                 | 7479949    | -         |
| 36  | NUT M8 UNI 5587 ASTM A194       | 7812607    | -         |
| 37  | CAM SHAFT                       | 7479950    | -         |
| 38  | CAM STOP PIN                    | 7479951    | -         |
| 39  | TIE ROD M8 X 31 ASTM A193       | 5267013    | -         |
| 40  | JET-BREAKER FITTING             | 5225295    | -         |
| 41  | INSULATING                      | 7493011    | -         |
| 42  | UPPER ASSY PLUG                 | 7479952    | -         |
| 43  | GASKET TF 22X17X2               | 7479953    | -         |
| 44  | INOX FILTER Ø8,5X22             | 7479954    | -         |
| 45  | INJECTOR M6X0,75 FORO Ø0,7      | 7479955    | -         |
| 46  | UPPER SLEEVE ASSY               | 7479956    | -         |
| 47  | LOWER SLEEVE ASSY               | 7479957    | -         |
| 48  | CAM FLANGE                      | 7479967    | -         |
| 49  | WASHER EP709 15,5X7,5X4         | 7479968    | -         |
| 50  | BUSHING                         | 7479969    | -         |
| 51  | SPRING                          | 7479970    | -         |
| 52  | PLUG CHROMED                    | 7479971    | -         |





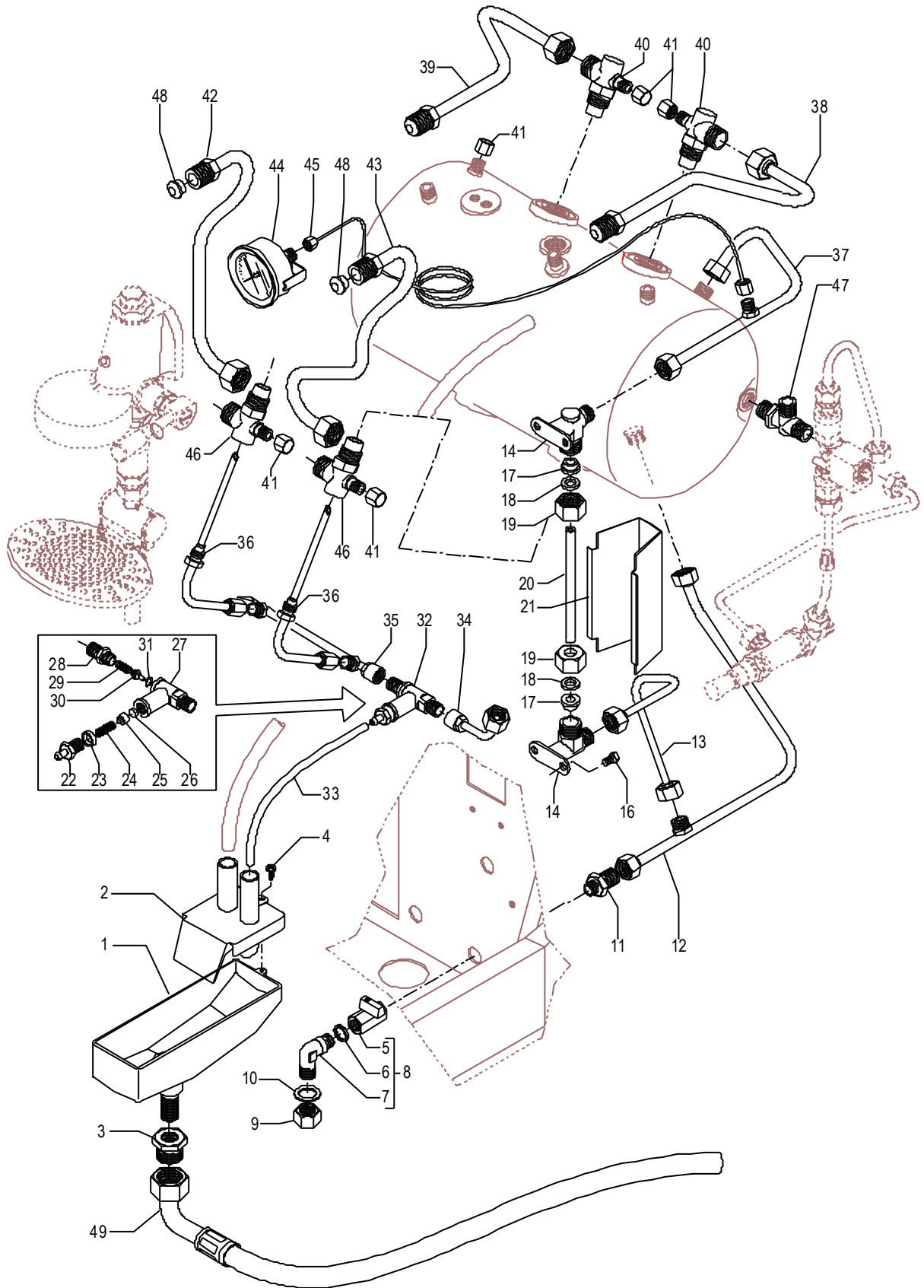
| POS | DESCRIPTION                                       | CODE       | REFERENCE |
|-----|---|------------|-----------|
| 01  | ELECTRIC MOTOR 110V 18MF                          | 7741102    | -         |
| 01  | ELECTRIC MOTOR 220/240V 10MF                      | 7742202.01 | -         |
| 02  | PUMP 100 L/H PA104X 1-2GR                         | 7730506    | -         |
| 03  | PUMP JOINT KIT (NEW)                              | 7730508    | -         |
| 04  | PUMP CLAMP  | 7611508    | -         |
| 05  | VIBRATION-DAMPING D25X10                          | 7470601    | -         |
| 06  | PLAIN WASHER D6 UNI 6592 FEZN                     | 7805004    | -         |
| 07  | NUT M6 UNI 5587 OT                                | 7822205    | -         |
| 08  | NUT M6 UNI 5587 OT                                | 7821403    | -         |
| 09  | STRAIGHT FITTING 3/8"G X 3/8"NPT OT               | 5302012    | -         |
| 10  | FLEXIBLE HOSE L=350                               | 7200505    | -         |
| 11  | STRAIGHT FITTING 3/8"G ES.22 H25 OT               | 5302013    | -         |
| 12  | STRAIGHT FITTING 3/8"G                            | 5302011    | -         |
| 13  | PRESSURE GAUGE Ø60 20BAR                          | 7432514    | -         |
| 14  | PRESSURE GAUGE CAPILLARY                          | 7400901    | -         |
| 15  | KNOB M6   | 7473603    | -         |
| 16  | RING NUT M18 OT CHROMED                           | 5222813CM  | -         |
| 17  | ARTICULATION D14 X 24.5 X M6 AISI 303             | 5265601    | -         |
| 18  | NUT M18 ES.26 H5 OT                               | 5221833    | -         |
| 19  | SHAFT D12 X 65 AISI 303                           | 5260202    | -         |
| 20  | SPRING D9.5 H34.5 AISI 302                        | 5471512    | -         |
| 21  | BUSHING D12 X 7 OT                                | 5220603    | -         |
| 22  | GASKET D12 X 6 PTFE GRAPHITIZED                   | 5494004    | -         |
| 23  | PUMP BODY OT                                      | 5283019    | -         |
| 24  | GASKET D14 X 4 X 4 NBR 70SH                       | 5493013    | -         |
| 25  | GASKET-HOLDER D15 X 16.5 OT                       | 5224607    | -         |
| 26  | ASSEMBLY PUMP                                     | 5964058    | -         |
| 27  | COPPER GASKET 20 X 26 X 3                         | 5495006    | -         |
| 28  | FITTING 4 WAY 3/8"G OT (PM-TE-TP)                 | 5302502    | -         |
| 29  | INLET AUTOMATIC LEVEL HOSE                        | 5163175LL  | -         |
| 30  | MANUAL FILLNG PIPE                                | 5163174LL  | -         |
| 31  | FILTER-HOLDER BODY                                | 5286005    | -         |
| 32  | FILTER D13.5 H11 AISI 304                         | 5471002    | -         |
| 33  | STRAIGHT FITTING 3/8"G X 1/8"G ES.22 H25 OT       | 5288002    | -         |
| 34  | ASSEMBLY FILTER HOLE D1 COMPLETE                  | 5965034    | -         |
| 35  | CHECK VALVE BODY                                  | 5283028    | -         |
| 36  | GASKET D12 X 5 NBR 70SH                           | 5493011    | -         |
| 37  | GASKET-HOLDER D14.5 X 12 OT                       | 5224604    | -         |
| 38  | CHECK VALVE SPRING AISI 302                       | 5471518    | -         |
| 39  | STRAIGHT FITTING 3/8"G OT                         | 5302037    | -         |
| 40  | ASSEMBLY COMPLETE CHECK VALVE                     | 5965013    | -         |
| 41  | SOLENOID VALVE WITHOUT COIL SIRAI                 | 7703009    | -         |
| 41  | SOLENOID VALVE WITHOUT COIL PARKER                | 7703011    | -         |
| 42  | SOLENOID VALVE COIL 110V SIRAI                    | 7630301    | -         |
| 42  | SOLENOID VALVE COIL 220/230V SIRAI                | 7630303    | -         |
| 42  | SOLENOID VALVE COIL 240V SIRAI                    | 7630304    | -         |
| 42  | SOLENOID VALVE COIL 110V PARKER                   | 7630324    | -         |
| 42  | SOLENOID VALVE COIL 220/240V PARKER               | 7630325    | -         |
| 43  | SOLENOID VALVE 2 WAY 110V PARKER (FROM 02/07)     | 7701114    | -         |
| 43  | SOLENOID VALVE 2 WAY 220/240V PARKER (FROM 09/06) | 7702312    | -         |
| 44  | OUTLET HOSE L/A                                   | 5163176LL  | -         |
| 45  | FLEXIBLE HOSE 3/8" L=1500 AISI 304                | 7200504    | -         |





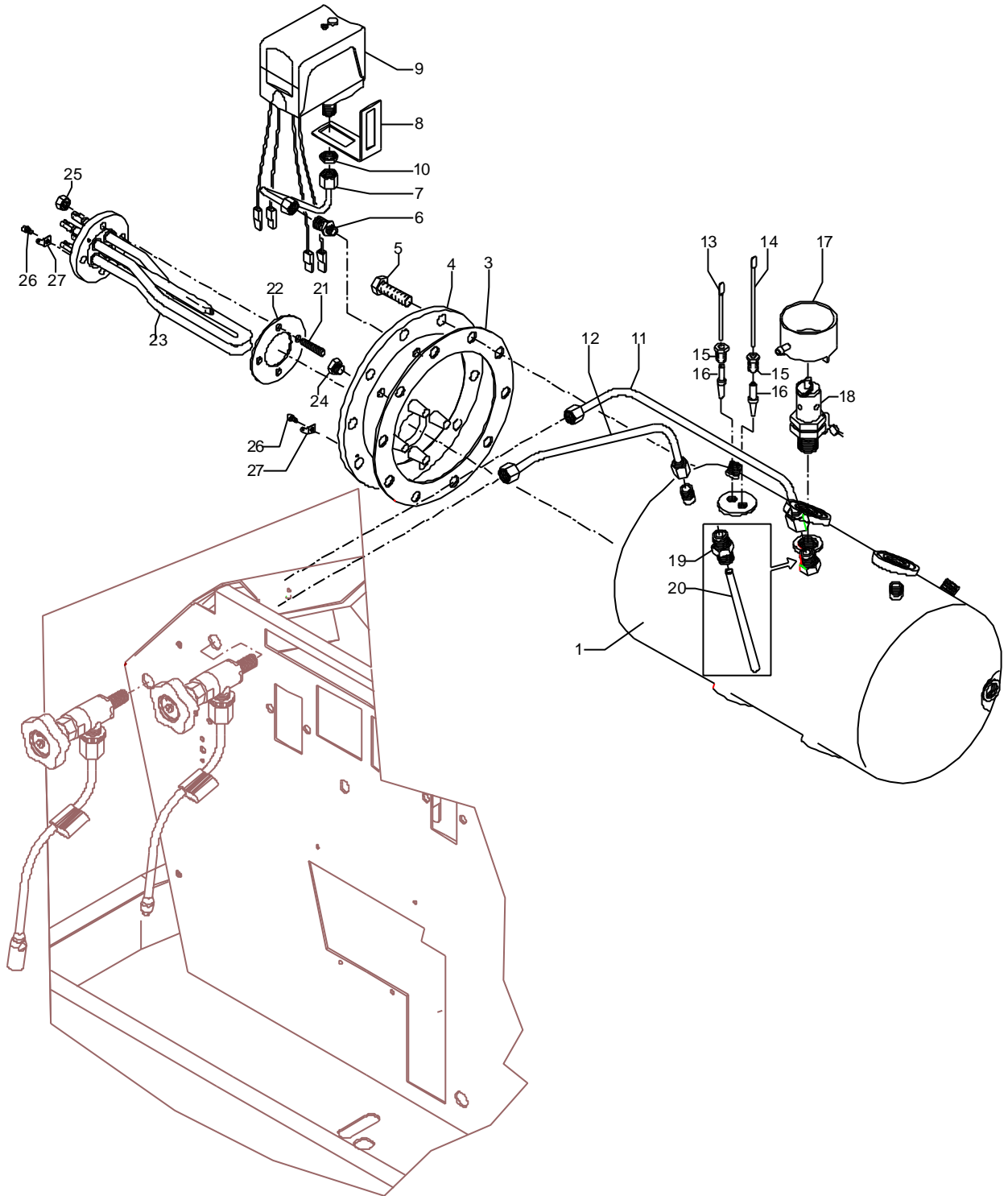
| POS | DESCRIPTION                                      | CODE         | REFERENCE |
|-----|--|--------------|-----------|
| 01  | DRIP TRAY ABS                                    | 5374501      | -         |
| 02  | DRAIN CUP COVER                                  | 5373104LL    | -         |
| 03  | FITTING M/F 3/4X3/8                              | 5225294      | -         |
| 04  | TAPPING SCREW 4,8X9,5                            | 7818003      | -         |
| 05  | BALL COCK FF 1/4"G                               | 7451501      | -         |
| 06  | GASKET Ø18X13,5X2                                | 5495005      | -         |
| 07  | UNION ELBOW 1/4"G X 3/8"G OT                     | 5301501      | -         |
| 08  | DRAINING TAP ASSY                                | 5965041      | -         |
| 09  | CAP NUT 3/8"G                                    | 5221819      | -         |
| 10  | GASKET D15X3 ASBESTOS FREE                       | 5492011      | -         |
| 11  | STRAIGHT FITTING 1/4" X 3/8"G OT                 | 5225201      | -         |
| 12  | BOILER DRAIN HOSE                                | 5164066LL    | -         |
| 13  | GLASS-LEVEL HOSE                                 | 5164065LL    | -         |
| 14  | GLASS LEVEL UPPER FITTING OT                     | 5302507      | -         |
| 16  | SCREW TE M6X8 UNI 5739 8.8                       | 7806405ZN    | -         |
| 17  | GLASS-LEVEL GASKET RUBBER                        | 5493026      | -         |
| 18  | GASKET-PRESS D18 X 11 X 3                        | 5224802      | -         |
| 19  | NUT 1/2"G HOLE D12.7 OT                          | 5221828      | -         |
| 20  | GLASS-LEVEL HOSE D10 X 2.2 L=135MM SILCKSCREENED | 5430504      | -         |
| 21  | GLASS-LEVEL COVER                                | 5053004LW    | -         |
| 22  | RUBBER-HOLDER FITTING M12X1                      | 5302026DC    | -         |
| 23  | SPACER D16 H12.2                                 | 5222201      | -         |
| 24  | CALIBRATED SPRING D1 H26 AISI 302                | 5471506      | -         |
| 25  | GASKET-HOLDER D5.3                               | 5224609      | -         |
| 26  | GASKET D8 X 4 EPT 70SH                           | 5493001      | -         |
| 27  | SURPRESSION VALVE BODY                           | 5283040      | -         |
| 28  | STRAIGHT FITTING 1/4"G ES.16 H29.5 OT            | 5302028      | -         |
| 29  | CALIBRATED SPRING D0.45 H22 AISI 302             | 5471505      | -         |
| 30  | GASKET-HOLDER                                    | 5224615      | -         |
| 31  | OR GASKET 105 VITON                              | 7496018      | -         |
| 32  | ASSEMBLY SURPRESSION VALVE (UP TO 20.12.05)      | 5965043      | -         |
| 32  | ASSEMBLY SURPRESSION VALVE (FROM TO 21.12.05)    | 5965043.01   | -         |
| 33  | HOSE 8X5 L=250 SILICONE                          | 5194554      | -         |
| 34  | OVERPRESSURE VALVE INLET PIPE (UP TO 20.12.05)   | 5163183LL    | -         |
| 34  | OVERPRESSURE VALVE INLET PIPE (FROM TO 21.12.05) | 5163183.01LL | -         |
| 35  | MANIFOLD HOSE (UP TO 20.12.05)                   | 5163180LL    | -         |
| 35  | MANIFOLD HOSE (FROM TO 21.12.05)                 | 5163180.01LL | -         |
| 36  | INJECTOR PIPE                                    | 5966535      | -         |
| 37  | GLASS-LEVEL HOSE                                 | 5164064LL    | -         |
| 38  | UPPER EXCHANGER HOSE 2ND GROUP                   | 5165030LL    | -         |
| 39  | UPPER EXCHANGER HOSE 1ST GROUP (2-3-4GR)         | 5165029LL    | -         |
| 40  | FITTING 1/2"NPT X 1/2"G X M12 OT                 | 5300503      | -         |
| 41  | CAP NUT M12                                      | 5221813      | -         |
| 42  | BOTTOM EXCHANGER HOSE 1ST GROUP                  | 5165031LL    | -         |
| 43  | BOTTOM EXCHANGER HOSE 2ND GROUP                  | 5165032LL    | -         |
| 44  | PRESSURE GAUGE Ø 60 3BAR                         | 7432515      | -         |
| 45  | PRESSURE GAUGE CAPILLARY                         | 7400901      | -         |
| 46  | FITTING 1/2"NPTX1/2"GXM12                        | 5300512      | -         |
| 47  | FITTING 3/8"G OT                                 | 5300505      | -         |
| 48  | CHOKE Ø3   | 5229913      | -         |
| 49  | HOSE 3/4 FC 2MT                                  | 7303503      | -         |







| <b>POS</b> | <b>DESCRIPTION</b>                        | <b>CODE</b> | <b>REFERENCE</b> |
|------------|---|-------------|------------------|
| 01         | BOILER 2GR                                | 5321015BL   | -                |
| 03         | GASKET D203 X 151 X 2 ASBESTOS FREE       | 5492005     | -                |
| 04         | BOILER FLANDE D205 OT                     | 5283502     | -                |
| 05         | SCREW TE M10X18 DIN 933 A2                | 7816424     | -                |
| 06         | STRAIGHT FITTING M12 X M10 OT             | 5302010     | -                |
| 07         | PRESSOSTAT HOSE                           | 5162212LL   | -                |
| 08         | SQUARE FRO PRESSOSTAT                     | 5017814LW   | -                |
| 09         | PRESSOSTAT SIRAI P302/6                   | 7433001     | -                |
| 10         | NUT 1/4"G H5 OT                           | 5221821     | -                |
| 11         | WATER TAP HOSE                            | 5163177LL   | -                |
| 12         | LEFT STEAM TAP HOSE                       | 5163178LL   | -                |
| 13         | LEVEL PROBE 2-3-4GR. D3X90X6.3 AISI 304   | 5265807     | -                |
| 14         | LEVEL PROBE D3X160X4.8                    | 5265811     | -                |
| 15         | STRAIGHT FITTING M10 OT                   | 5225205     | -                |
| 16         | PROBE SHEATH D8 X 45 HOLE D3 PTFE         | 5192001     | -                |
| 17         | COMPLETE CUP                              | 5963047     | -                |
| 18         | ASSEMBLY SAFETY VALVE 1.5 BAR             | 5965015     | -                |
| 19         | STRAIGHT FITTING 3/8"G X M13 ES.22 H30 OT | 5302005     | -                |
| 20         | SUCTION HOSE D8X1 150MM PTFE              | 5192305     | -                |
| 21         | TIE ROD M8 X 31 ASTM A193                 | 5267013     | -                |
| 22         | GASKET D76 X 39 X 2 ASBESTOS FREE         | 5492006     | -                |
| 23         | HEATING ELEMENT 2GR 2600W 110/120V        | 5721115     | -                |
| 23         | HEATING ELEMENT 2GR 3000W 220/230V        | 5722221     | -                |
| 23         | HEATING ELEMENT 2GR 3000W 240V            | 5722417     | -                |
| 23         | HEATING ELEMENT 2GR 4000W 240V            | 5722418     | -                |
| 24         | PLUG M10 H12 OT                           | 5226404     | -                |
| 25         | NUT M8 UNI 5587 ASTM A194                 | 7812607     | -                |
| 26         | SCREW TCI M4X6 UNI 6107 OT                | 7826212     | -                |
| 27         | FASTON 45° HOLE D4.3                      | 7615003     | -                |



| <b>POS</b> | <b>DESCRIPTION</b>                     | <b>CODE</b> | <b>REFERENCE</b> |
|------------|--|-------------|------------------|
| 01         | CLEANING BRUSH                         | 7990603     | -                |
| 02         | FILTER 2 CUPS 12 GRAMS                 | 5471007     | -                |
| 03         | FILTER 1 CUP 6 GRAMS                   | 5471004     | -                |
| 04         | BLIND FILTER AISI 304                  | 5471003     | -                |
| 05         | ASSEMBLY COMPLETE FILTER-HOLDER 1 CUP  | 5965551     | -                |
| 06         | ASSEMBLY COMPLETE FILTER-HOLDER 2 CUPS | 5965537     | -                |
| 07         | FILTER-HOLDER SPRING D1.2 AISI 302     | 5471527     | -                |
| 08         | COMPLETE FILTER-HOLDER                 | 7479930     | -                |
| 09         | PLUG                                   | 5373915CM   | -                |
| 10         | SPOUT 2 WAY                            | 7305007     | -                |
| 11         | SPOUT 1 WAY                            | 7305006     | -                |
| 12         | FILTER-HOLDER KNOB                     | 7371502     | -                |

