

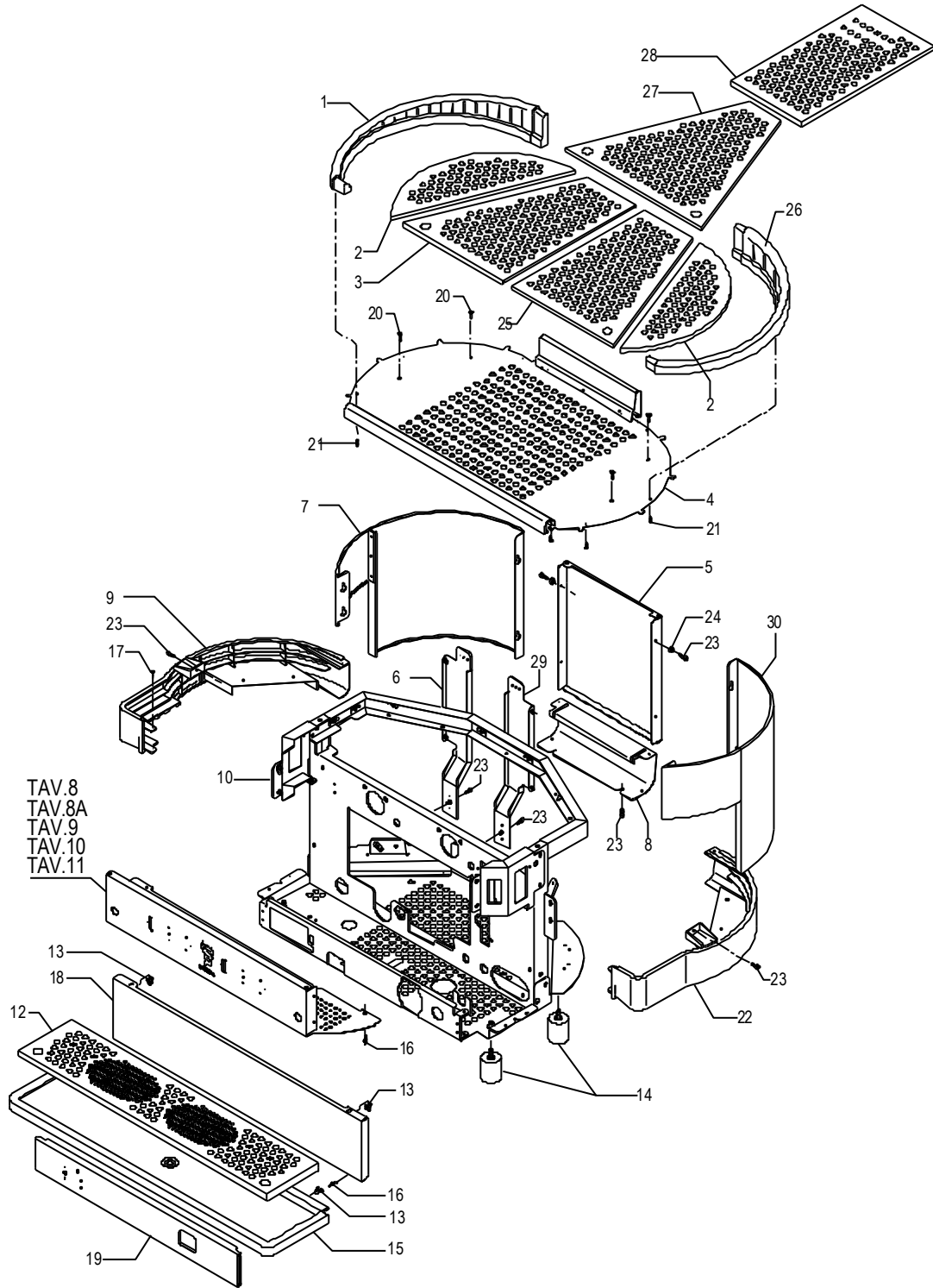


ELLISSE (EBBIS) from 03/2006



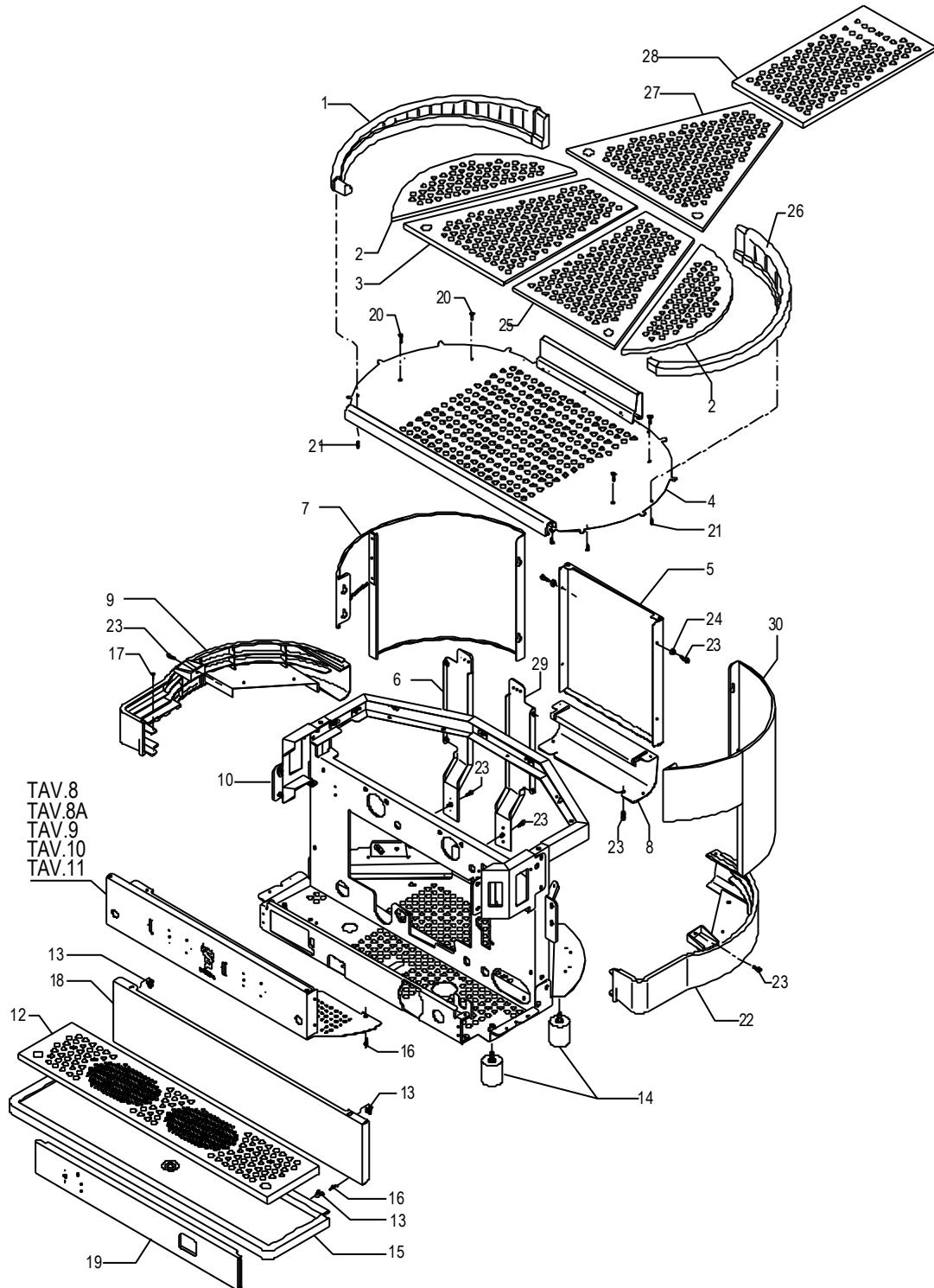


POS	DESCRIPTION	CODE	REFERENCE
01	LEFT CUPS-HEATER FRAME BLUE	5375108	KEY 126B
01	LEFT CUPS-HEATER FRAME GREY	5375107	KEY 113G
02	LATERAL CUPS-HEATER GRID 1-2-3-4 GR	5074501LW	KEY 047P
02	LATERAL CUPS-HEATER GRID 1-2-3-4GR-HEATING ELEMENT VERSION	5074559LW	-
03	CENTRAL LEFT CUPS-HEATER GRID 2-3-4GR	5074504LW	KEY 046PSX
03	CENTRAL LEFT CUPS-HEATER GRID 2-3-4GR-HEATING ELEMENT VERS.	5074562LW	-
04	ASSEMBLY CUPS-HEATER 1GR	5343007	KEY 133P
04	ASSEMBLY CUPS-HEATER 1GR GOLD	5343019	-
04	ASSEMBLY CUPS-HEATER 2GR	5343008	KEY 134P
04	ASSEMBLY CUPS-HEATER 2GR GOLD	5343020	-
04	ASSEMBLY CUPS-HEATER 3GR	5343003	KEY 135P
04	ASSEMBLY CUPS-HEATER 3GR GOLD	5343021	-
04	ASSEMBLY CUPS-HEATER 4GR	5343009	-
04	ASSEMBLY CUPS-HEATER 4GR GOLD	5343022	-
05	REAR PANEL 1GR GOLD	5095101DT	-
05	REAR PANEL 1GR STAINLESS STEEL SATINED	5095101LW	KEY 041P
05	REAR PANEL 1GR RED RAL 3000	5095101VT	-
05	REAR PANEL 2GR GOLD	5095102DT	-
05	REAR PANEL 2GR STAINLESS STEEL SATINED	5095102LW	KEY 010P
05	REAR PANEL 2GR RED RAL 3000	5095102VT	-
05	REAR PANEL 3GR GOLD	5095103DT	-
05	REAR PANEL 3GR STAINLESS STEEL SATINED	5095103LW	KEY 040P
05	REAR PANEL 3GR RED RAL 3000	5095103VT	-
05	REAR PANEL 4GR STAINLESS STEEL SATINED	5095185LW	-
05	REAR PANEL 4GR GOLD	5095185DT	-
05	REAR PANEL 4GR RED RAL 3000	5095185VT	-
06	REAR BRACKET 1GR	5018101LL	-
06	REAR LEFT BRACKET 2-3-4GR	5018103LL	-
07	ASSEMBLY LEFT LATERAL SIDE GOLD	5343002DT	-
07	ASSEMBLY LEFT LATERAL SIDE STAINLESS STEEL SATINED	5343002	KEY 136P
07	ASSEMBLY LEFT LATERAL SIDE RED RAL 3000	5343002VT	-
08	CENTRAL SOCLE 1GR	5099001LW	KEY 035P
08	CENTRAL SOCLE 1GR GOLD	5099001DT	KEY 035P
08	CENTRAL SOCLE 2GR	5099002LW	KEY 019P
08	CENTRAL SOCLE 2GR GOLD	5099002DT	KEY 019P
08	CENTRAL SOCLE 3GR	5099003LW	KEY 027P
08	CENTRAL SOCLE 3GR GOLD	5099003DT	KEY 027P
08	CENTRAL SOCLE 4GR	5099004LW	-
08	CENTRAL SOCLE 4GR GOLD	5099004DT	-
09	LEFT SOCLE BLUE	5375104	KEY 124B
09	LEFT SOCLE GREY	5375103	KEY 111G
10	ASSEMBLY CHASSIS 1GR PAINTED	5974501.01	-
10	ASSEMBLY CHASSIS 2GR PAINTED	5974502.01	-
10	ASSEMBLY CHASSIS 3GR. PAINTED	5974503.02	-
10	ASSEMBLY CHASSIS 4GR. PAINTED)	5974537.01	-
12	DRIP TRAY GRID 1GR	5094501LW	KEY 089P
12	DRIP TRAY GRID 2GR	5094502LW	KEY 048P
12	DRIP TRAY GRID 3GR	5094503LW	KEY 088P
12	DRIP TRAY GRID 4GR	5094525LW	-
13	SHAPED SPRING	5471503	F 1541
14	FEET D60 X 60 SHANK M8 X 20 BLUE	7474208	-
14	FEET D60 X 60 SHANK M8 X 20 GREY	7474207	-



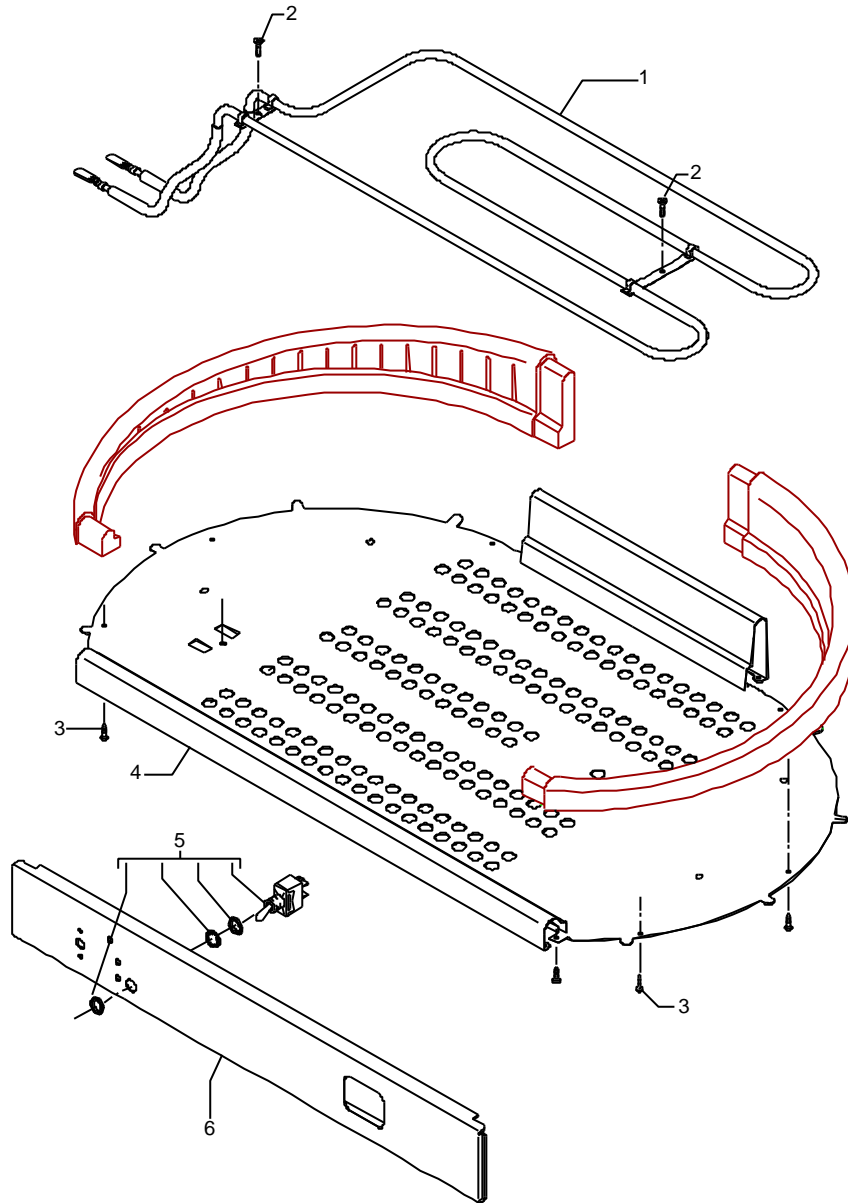


POS	DESCRIPTION	CODE	REFERENCE
15	DRIP TRAY 1GR. POLISHED	5070602DL	KEY 087P
15	DRIP TRAY 2GR. COMPACT POLISHED	5070603DL	KEY 049P
15	DRIP TRAY 3GR. COMPACT POLISHED	5070604DL	KEY 086P
15	DRIP TRAY 4GR. COMPACT POLISHED	5070629DL	-
16	STUD M4X22.6 AVP NICHEL-PLATED	5244008NC	KEY 061
17	TAPPING SCREW TB D2.9 X 9.5 UNI 6954 A2	7818002	F 1439
18	GROUP FRONTAL 1GR	5094201LW	KEY 093P
18	GROUP FRONTAL 2GR	5094202LW	KEY 094P
18	GROUP FRONTAL 3GR	5094203LW	KEY 095P
18	GROUP FRONTAL 4GR	5094302LW	-
18	GROUP FRONTAL + GAS RG20 2GR	5094254LW	KEY 094P
18	GROUP FRONTAL + GAS RG20 3GR	5094255LW	KEY 095P
18	GROUP FRONTAL + GAS RG20 4GR	5094308LW	-
19	BASEMENT FRONTAL 1GR BLUE	5094210SB	KEY 065PB
19	BASEMENT FRONTAL 1GR GREY	5094210SG	KEY 065PG
19	BASEMENT FRONTAL 2GR BLUE	5094211SB	KEY 062PB
19	BASEMENT FRONTAL 2GR GREY	5094211SG	KEY 062PG
19	BASEMENT FRONTAL 3GR BLUE	5094212SB	KEY 064PB
19	BASEMENT FRONTAL 3GR GREY	5094212SG	KEY 064PG
19	BASEMENT FRONTAL 4GR BLUE	5094305SB	-
19	BASEMENT FRONTAL 4GR GREY	5094305SG	-
19	BASEMENT FRONTAL + PROGRAMMING KEY 1GR BLUE	5094213SB	KEY 101PB
19	BASEMENT FRONTAL + PROGRAMMING KEY 1GR GREY	5094213SG	KEY 101PG
19	BASEMENT FRONTAL + PROGRAMMING KEY 2GR BLUE	5094214SB	KEY 099PB
19	BASEMENT FRONTAL + PROGRAMMING KEY 2GR GREY	5094214SG	KEY 099PG
19	BASEMENT FRONTAL + PROGRAMMING KEY 3GR BLUE	5094215SB	KEY 100PB
19	BASEMENT FRONTAL + PROGRAMMING KEY 3GR GREY	5094215SG	KEY 100PG
19	BASEMENT FRONTAL + PROGRAMMING KEY 4GR BLUE	5094306SB	-
19	BASEMENT FRONTAL + PROGRAMMING KEY 4GR GREY	5094306SG	-
19	BASEMENT FRONTAL + GAS RG20 2GR BLUE	5094217SB	KEY 150PB
19	BASEMENT FRONTAL + GAS RG20 2GR GREY	5094217SG	KEY 150PG
19	BASEMENT FRONTAL + GAS RG20 3GR BLUE	5094218SB	KEY 151PB
19	BASEMENT FRONTAL + GAS RG20 3GR GREY	5094218SG	KEY 151PG
19	BASEMENT FRONTAL + GAS RG20 4GR BLUE	5094307SB	-
19	BASEMENT FRONTAL + GAS RG20 4GR GREY	5094307SG	-
20	SCREW TPS M4 X 16	7817801	F 1599
21	SCREW TC M3X10	7809801	F 1765
22	RIGHT SOCLE BLUE	5375102	KEY 123B
22	RIGHT SOCLE GREY	5375101	KEY 110G
23	SCREW TCEI M4X12	7816002	F 1600
24	BUSHING D10 X 4.2 OT	5220802	KEY 052
25	CENTRAL RIGHT CUPS-HEATER GRID 2-3-4 GR	5074503LW	KEY 046PDX
25	CENTRAL RIGHT CUPS-HEATER GRID 2-3-4GR-HEATING ELEM. VERS.	5074561LW	-
26	RIGHT CUPS-HEATER FRAME BLUE	5375106	KEY 125B
26	RIGHT CUPS-HEATER FRAME GREY	5375105	KEY 112G
27	CENTRAL CUPS-HEATER GRID 1GR	5074502LW	KEY 084P
27	CENTRAL CUPS-HEATER GRID 1GR-HEATING ELEMENT VERSION	5074560LW	-
28	CENTRAL CUPS-HEATER GRID 3-4GR	5074505LW	KEY 096P
28	CENTRAL RIGHT CUPS-HEATER GRID 3-4GR-HEATING ELEMENT VERS.	5074563LW	-
29	REAR RIGHT BRACKET 2-3-4GR	5018102LL	-
30	ASSEMBLY RIGHT LATERAL SIDE GOLD	5343001DT	-
30	ASSEMBLY RIGHT LATERAL SIDE STAINLESS STEEL SATINED	5343001	KEY 137P
30	ASSEMBLY RIGHT LATERAL SIDE RED RAL 3000	5343001VT	-



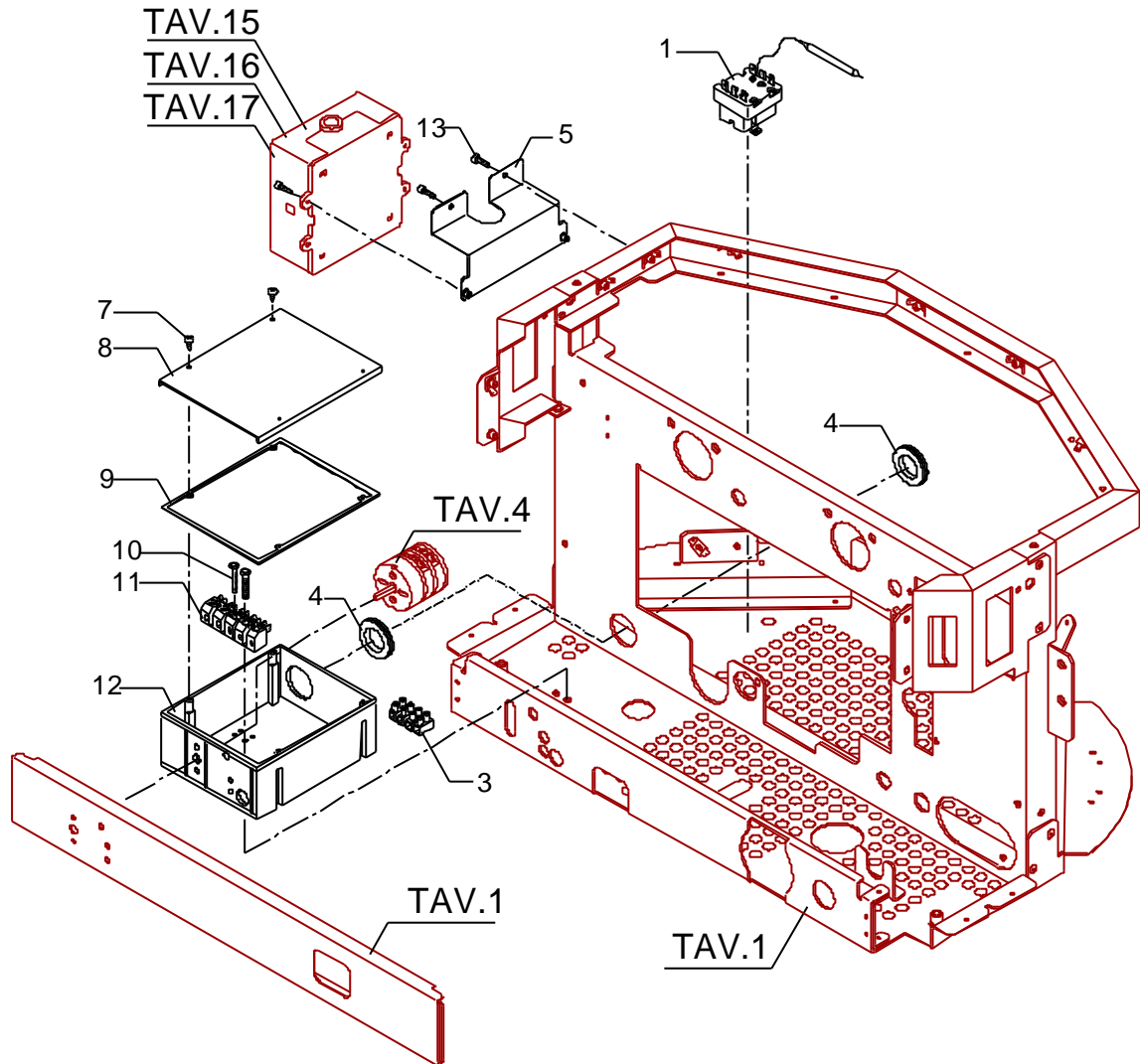


POS	DESCRIPTION	CODE	REFERENCE
01	CUPS-HEATER HEATING ELEMENT 230V 130W (1GR)	5722302	-
01	CUPS-HEATER HEATING ELEMENT 230V 200W (2-3-4GR)	5722301	-
02	SCREW TPS M4 X 16	7817801	F 1599
03	SCREW TC M3X10	7809801	F 1765
04	ASSEMBLY CUPS-HEATER 1GR	5343007	KEY 133P
04	ASSEMBLY CUPS-HEATER 1GR GOLD	5343019	-
04	ASSEMBLY CUPS-HEATER 2GR	5343008	KEY 134P
04	ASSEMBLY CUPS-HEATER 2GR GOLD	5343020	-
04	ASSEMBLY CUPS-HEATER 3GR	5343003	KEY 135P
04	ASSEMBLY CUPS-HEATER 3GR GOLD	5343021	-
04	ASSEMBLY CUPS-HEATER 4GR	5343009	-
04	ASSEMBLY CUPS-HEATER 4GR GOLD	5343022	-
05	LEVER SWITCH 125/250V 16A	7633307	-
06	BASEMENT FR.+CUPS-HEATER HEATING ELEM.+GAS RG20 2GR BLUE	5094360SB	-
06	BASEMENT FR.+CUPS-HEATER HEATING ELEM.+GAS RG20 2GR GREY	5094360SG	-
06	BASEM.FRONTAL+CUPS-HEATER HEATING ELEMENT+GAS RG20 3GR BLUE	5094361SB	-
06	BASEM.FRONTAL+CUPS-HEATER HEATING ELEMENT+GAS RG20 3GR GREY	5094361SG	-
06	BASEM.FRONTAL+CUPS-HEATER HEATING ELEMENT+GAS RG20 4GR BLUE	5094362SB	-
06	BASEM.FRONTAL+CUPS-HEATER HEATING ELEMENT+GAS RG20 4GR GREY	5094362SG	-
06	BASEMENT FRONTAL+CUPS-HEATER HEATING ELEMENT 1GR BLUE	5094256SB	-
06	BASEMENT FRONTAL+CUPS-HEATER HEATING ELEMENT 1GR GREY	5094256SG	-
06	BASEMENT FRONTAL+CUPS-HEATER HEATING ELEMENT 2GR BLUE	5094257SB	KEY 210PB
06	BASEMENT FRONTAL+CUPS-HEATER HEATING ELEMENT 2GR GREY	5094257SG	KEY 210PG
06	BASEMENT FRONTAL+CUPS-HEATER HEATING ELEMENT 3GR BLUE	5094258SB	KEY 211PB
06	BASEMENT FRONTAL+CUPS-HEATER HEATING ELEMENT 3GR GREY	5094258SG	KEY 211PG
06	BASEMENT FRONTAL+CUPS-HEATER HEATING ELEMENT 4GR BLUE	5094309SB	-
06	BASEMENT FRONTAL+CUPS-HEATER HEATING ELEMENT 4GR GREY	5094309SG	-

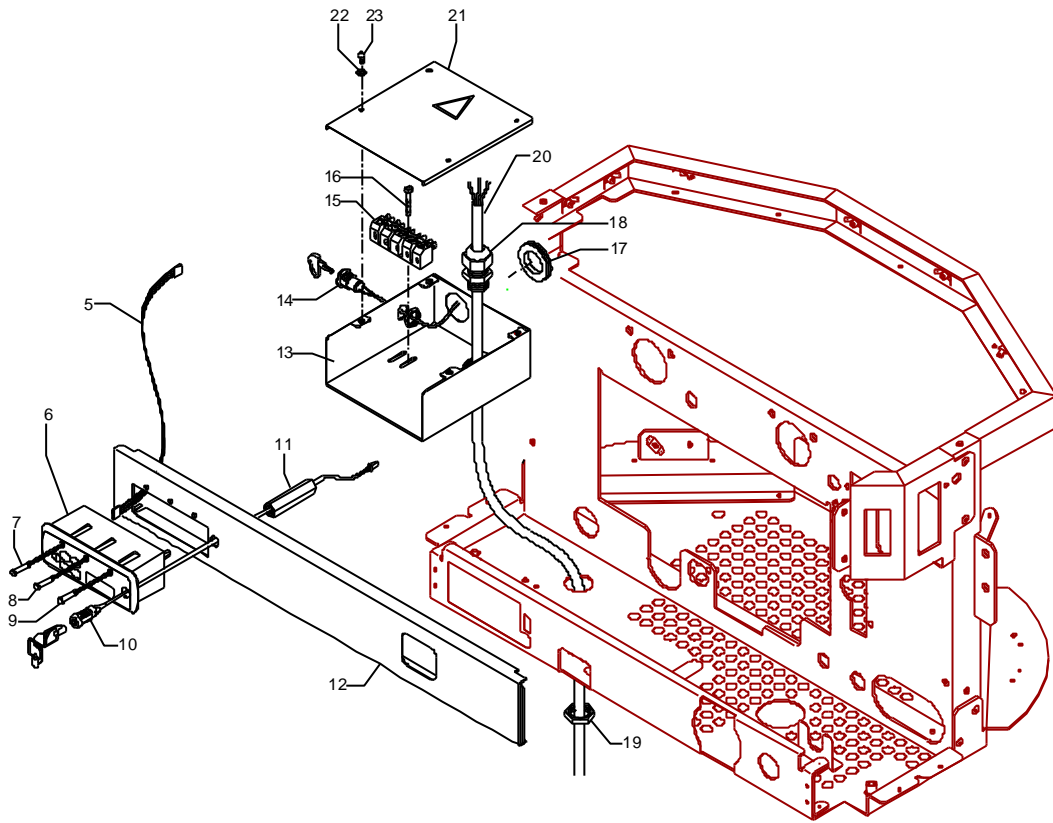




POS	DESCRIPTION	CODE	REFERENCE
01	THERMOSTAT MANUAL	7434001	U/6 2346
03	CLAMP 4 CONTACTS	7612502	KEY 143
04	FAIRLEAD P63 RUBBER	7613001	J 221
05	COMPLETE ELECTRONIC BOX SUPPORT	5038402LW	KEY 063P
07	SCREW TCI M3X7 UNI 6107 OT	7826208	F 765
08	ELECTRIC BOX COVER	5373101	KEY 129
09	GASKET 163.4X130X1 RUBBER	5493017	KEY 059
10	SCREW TE M4X30	7826409	-
11	CLAMP 5 CONTACTS KL24/5	7612501	J 496
12	ELECTRIC BOX 129X161X ABS	5373301	KEY 128
13	SCREW TCEI M4X12	7816002	F 1600

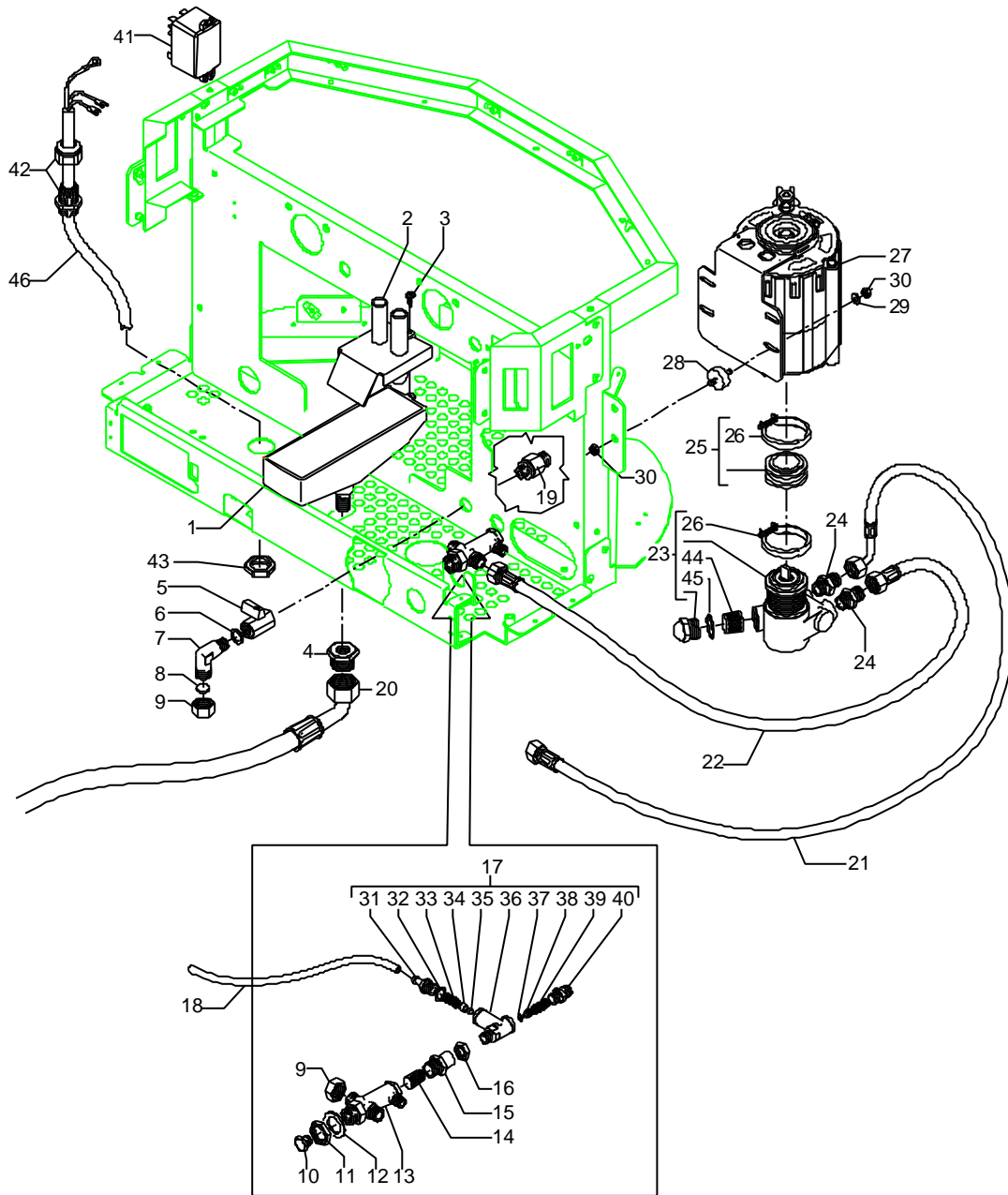


POS	DESCRIPTION	CODE	REFERENCE
01	FUSE 31,5A 220/240V	7632702	J 714/220
01	FUSE 6,3A 110/120V	7632701	J 714/110
03	ELECTRIC CONNECTOR 12 POLES	7631502	J 716
04	ELECTRIC CONNECTOR 7 POLES	7631501	J 866
05	CONNECTING CABLE DOSAGE	7663570	-
06	ASSEMBLY CONTROL D	5962001	-
07	GREEN LAMP	7633602	-
08	ORANGE LAMP	7633604	-
09	RED LAMP	7633606	-
10	CABLE+PROGRAMMING KEY	7663563	-
11	M12 KEY-FIXING NUT	5221859	-
12	BASEMENT FRONTAL 1GR	5094396LW	-
12	BASEMENT FRONTAL 2GR	5094393LW	-
12	BASEMENT FRONTAL 1GR	5094394LW	-
13	ELECTRIC BOX	5052402LW	-
14	PROGRAMMING KEY	7661503	-
15	CLAMP 5 CONTACTS KL24/5	7612501	J 496
16	SCREW TE M4x30	7826409	-
17	FAIRLEAD P63 RUBBER	7613001	J 221
18	CABLE-PRESS PG16 POLYAMIDE	7614001	J 486
18	CABLE-PRESS PG21 POLYAMIDE	7614002	J 488
19	NUT PG16 POLYAMIDE	7614003	J 487
19	NUT PG21 POLYAMIDE	7614004	J 489
20	CONNECTING CABLE H07RNF 3X2,5 MM ² L=2MT (1-2GR 220/240V)	3552401	-
20	CONNECTING CABLE H07RNF 3X4 MM ² L=3MT (3-4GR 220/240V)	3552703.01	06.16.00.135
20	CONNEC.CABLE H07RNF 5X2,5MM ² L=3MT (1-2-3-4GR 380-230/400V)	3553902	-
21	ELECTRIC BOX COVER	5053007LW	-
22	WASHER D4 NYLON	7374004	F 1361
23	SCREW TTEI M4X8	7819908	-

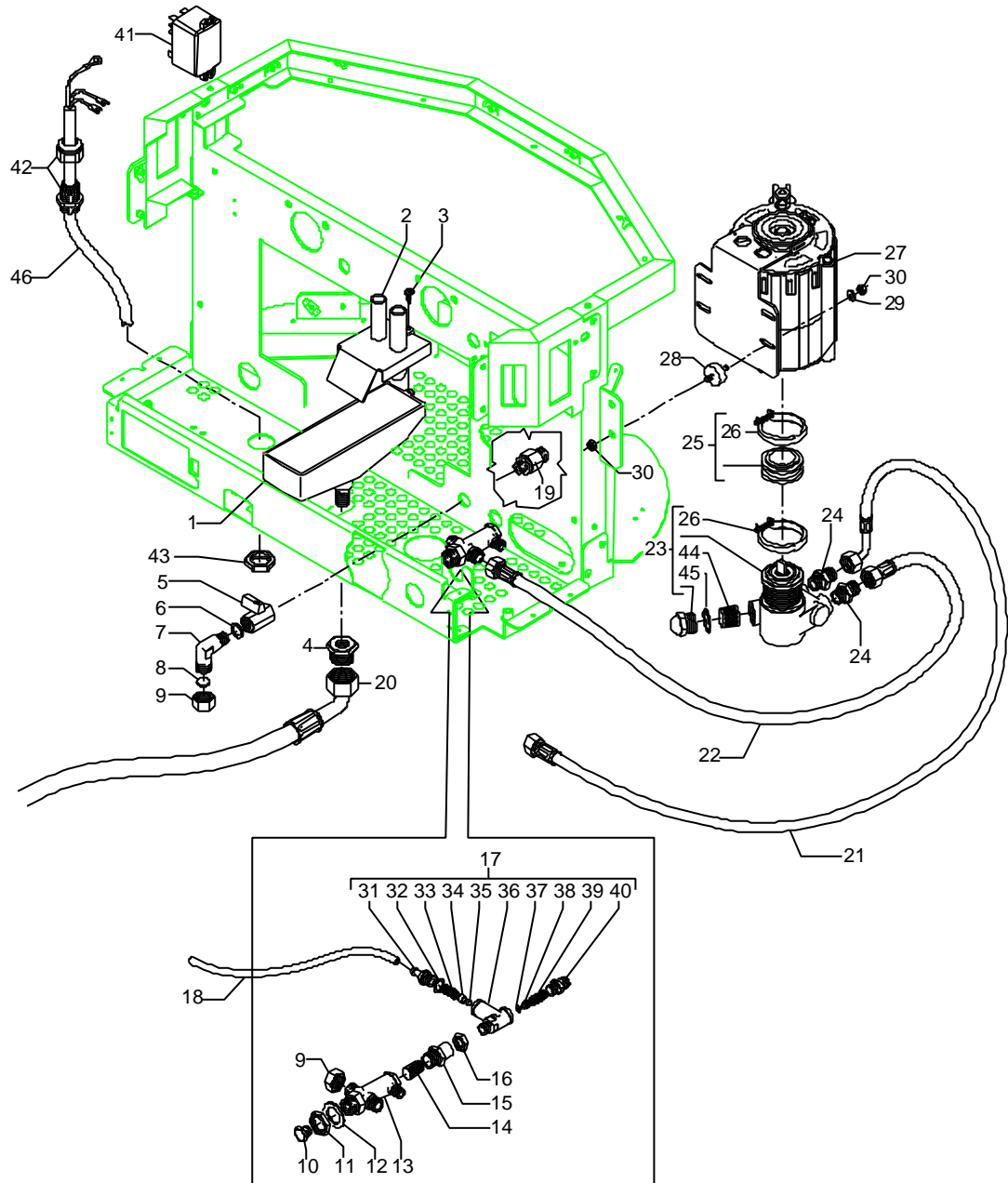




POS	DESCRIPTION	CODE	REFERENCE
01	DRIP TRAY ABS	5374501	KEY 130
02	DRAIN CUP COVER	5373104LL	KEY 141P
03	TAPPING SCREW 3,9X9,5	7809800	-
04	FITTING MF 3/4X3/8 (FROM 01/03/05)	5225294	-
05	BALL COCK FF 1/4"G	7451501	N/2 1250
06	GASKET .D13.5X18X2 BRASS	5495005	-
07	UNION ELBOW 1/4"G X 3/8"G OT	5301501	F 896
08	GASKET D15X3 ASBESTOS FREE	5492011	F 730
09	CAP NUT 3/8"G	5221819	-
10	PLUG 1/4"G ES.16 H13 OT	5226405	F 720
11	NUT 1/2"G H5 OT	5221823	-
12	WASHER D20 X 30	5999906	-
13	MULTIPLE FITTING 5 WAY OT (DE)	5302501	L 1135
14	FILTER D13.5 H11 AISI 304	5471002	A 113
15	FITTING MF 3/8X1/4	5302061	-
16	NUT 1/4"G H5 OT	5221821	T 1498
17	ASSEMBLY SURPRESSION VALVE	5965043.01	-
18	HOSE Ø 8x5 SILICONE L=350 1GR	5194549	-
18	HOSE Ø 8x5 SILICONE L=400 1GR	5194550	-
18	HOSE Ø 8x5 SILICONE L=450 1GR	5194551	-
18	HOSE Ø 8x5 SILICONE L=500 1GR	5194552	-
19	STRAIGHT FITTING 1/4" X 3/8"G OT	5225201	-
20	HOSE 3/4 FC 2MT (FROM 01/03/05)	7303503	-
21	FLEXIBLE HOSE 3/8" L=1500 AISI 304	7200504	F 1489
22	FLEXIBLE HOSE 3/8"FFC L=600MM	7200507	-
23	PUMP 100 L/H PA104X 1-2GR	7730506	-
23	PUMP 200 L/H 3-4GR	7730507	-
24	STRAIGHT FITTING 3/8"G X 3/8"NPT OT	5302012	F 655
25	PUMP JOINT KIT (NEW)	7730508	-
26	PUMP CLAMP	7611508	Q/1 1352
27	ELECTRIC MOTOR 100V	7741001	V/5 2033
27	ELECTRIC MOTOR 110V 18MF	7741102	V/5 2032
27	ELECTRIC MOTOR 220/240V 10MF	7742202.01	-
28	VIBRATION-DAMPING D25X10	7470601	J 447
29	PLAIN WASHER D6 UNI 6592 FEZN	7805004	-
30	NUT M6 UNI 5587 OT	7821403	F 992
31	RUBBER-HOLDER FITTING M12x1	5302026DC	-
32	SPACER D16 H12.2	5222201	-
33	CALIBRATED SPRING D1 H26 AISI 302	5471506	X/1 2226
34	GASKET-HOLDER D5.3	5224609	-
35	GASKET D8 X 4 EPT 70SH (OLD)	5493001	M/9 2463EP
36	SURPRESSION VALVE BODY	5283040	-
37	OR GASKET 105 VITON	7496018	C 311
38	GASKET-HOLDER (NEW)	5224615	-
39	CALIBRATED SPRING D0.45 H22 AISI 302	5471505	X/1 2222
40	STRAIGHT FITTING M12 X M13 H26.5 OT	5302018	F 1738
41	2-CONTACT 30A 120V RELAY	7635423	-
41	RELAY 30A 240V	7635422	-
42	CABLE-PRESS PG16 POLYAMIDE	7614001	J 486
42	CABLE-PRESS PG21 POLYAMIDE	7614002	J 488
43	NUT PG16 POLYAMIDE	7614003	J 487

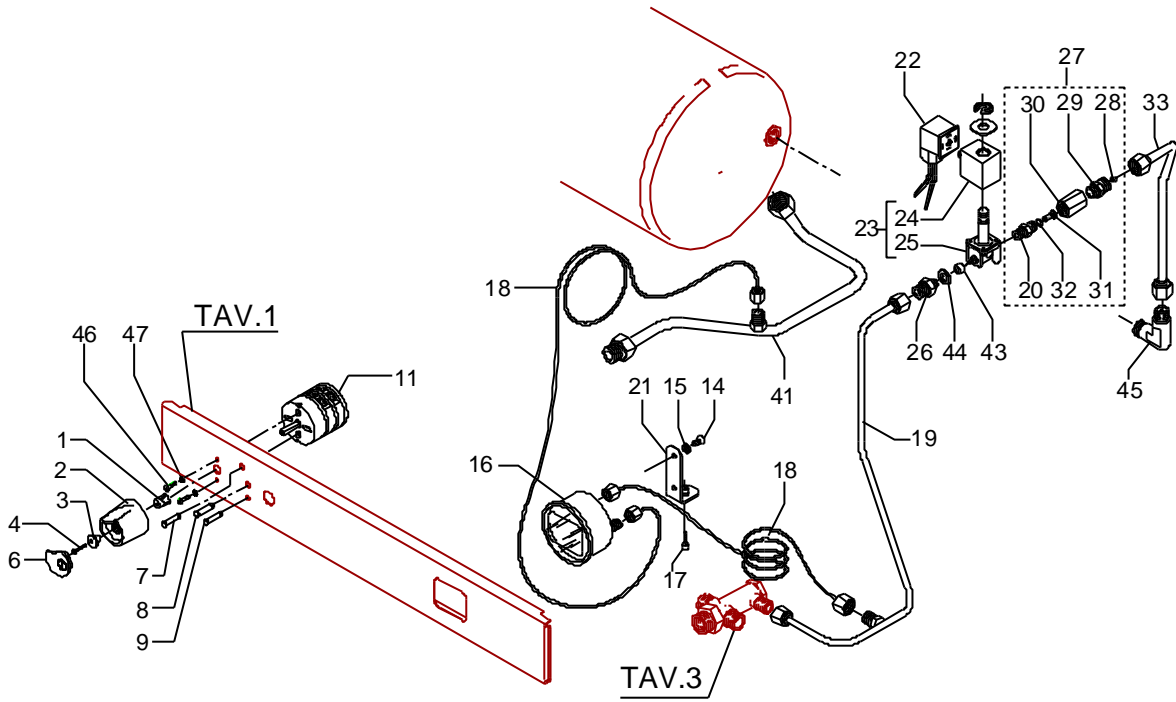


POS	DESCRIPTION	CODE	REFERENCE
43	NUT PG21 POLYAMIDE	7614004	J 489
44	PUMP FILTER	7374005	J 518
45	OR GASKET FOR PUMP FILTER	7496033	-
46	CONNECTING CABLE 4X2,5 MM ² L=2MT (1-2GR 220/230V 2F+N+T)	3553602	-
46	CONNECTING CABLE 4X4 MM ² L=3MT (3-4GR 220/230V 2F+N+T)	3553601	-
46	CONNECTING CABLE 3X2,5 MM ² L=2MT (1-2GR 220/240V)	3552401	-
46	CONNECTINGCABLE 5X2,5 MM ² L=3MT(3-4GR CONTROL D 380-230/400V)	3553902	-
46	CONNECTING CABLE 3X2,5 MM ² L=2,2MT (1-2GR CONTROL D 220V-240V)	3552404.01	-
46	CONNECTING CABLE 3X4 MM ² L=2,2MT (3-4GR 220/240V)	3552703.01	06.16.00.135
46	CONNECTING CABLE 5X2,5 MM ² L=2,2MT(1-2-3-4GR 380-230/400V)	3553904.01	-
46	CONNECTING CABLE 3X10AWG L=2,2MT (2-3-4GR 110V-220V USA)	3556003	-
46	CONNECTING CABLE 3X12AWG L=2MT (1GR 110V-220V USA)	3551501	-



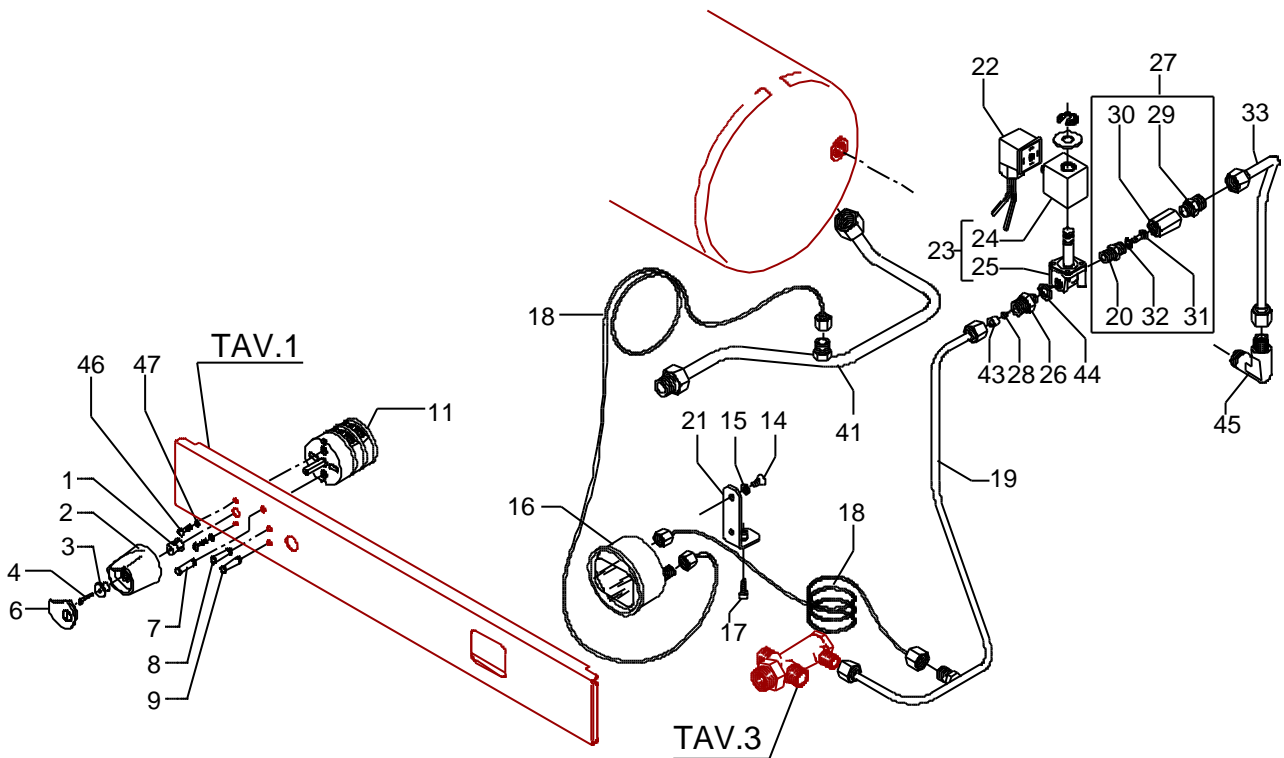


POS	DESCRIPTION	CODE	REFERENCE
01	INSERT D9.5 H14	5371301	KEY 144
02	SWITCH KNOB D42 BLUE	5371807	KEY 117B
02	SWITCH KNOB D42 GREY	5371806	KEY 104G
03	SLEEVE D15X3 H9.5	5220803	F 1727
04	SCREW TC M3X25	7809802	F 1766
06	SHAPED PLUG BLUE	5373912	KEY 118B
06	SHAPED PLUG GREY	5373911	KEY 105G
07	GREEN LAMP 110/240V	7633602	J 847/230
08	ORANGE LAMP 110/240V	7633604	J 848/230
09	RED LAMP	7633606	J 849/230
11	SWITCH 2 POSITIONS 4 CONTACTS	7633301	KEY 147
11	SWITCH 2 POSITIONS 6 CONTACTS	7633302	KEY 148
14	SCREW TCS M5X8 DIN 964 A2	7817401	GB/1 784
15	PLAIN WASHER D6 UNI 6592 FEZN	7805004	-
16	PRESSURE GAUGE D63 DOUBLE SCALE	7432502	U 1551
17	SCREW TCEI M4X12	7816002	F 1600
18	PRESSURE GAUGE CAPILLARY	7400901	-
19	INLET AUTOMATIC LEVEL HOSE	5162218LL	-
20	STRAIGHT FITTING 1/8"G WITH COUNTERSINK	7304502LL	LI 173
21	PRESSURE GAUGE SUPPORT	5018409LL	KEY 003P
22	SOLENOID VALVE CONNECTOR	7631504	C/1 327
23	SOLENOID VALVE 2 WAY 110V PARKER (FROM 02/07)	7701114	-
23	SOLENOID VALVE 2 WAY 220/240V PARKER (FROM 09/06)	7702312	-
24	SOLENOID VALVE COIL 110V SIRAI	7630301	-
24	SOLENOID VALVE COIL 220/230V SIRAI	7630303	-
24	SOLENOID VALVE COIL 240V SIRAI	7630304	-
24	SOLENOID VALVE COIL 110V PARKER	7630324	-
24	SOLENOID VALVE COIL 220/240V PARKER	7630325	-
25	SOLENOID VALVE WITHOUT COIL SIRAI	7703009	-
25	SOLENOID VALVE WITHOUT COIL PARKER	7703011	-
26	STRAIGHT FITTING M13 X 1/8"GC	5302014	F 1726
27	ASSEMBLY COMPLETE CHECK VALVE	5223018	-
28	JET M6 X 6 HOLE D0.8 OT	5223003	F 1316
29	STRAIGHT FITTING M13 X 1/8"GC	5302014	F 1726
30	STRAIGHT FITTING 1/8"G OT	5302015	LI 174
31	STUD D8.5 X 17.5 OT	5224002	F 1259
32	OR GASKET D4.2 X 1.9 VITON	7496035	J 421
33	COMPLETE CHECK VALVE HOSE	5163007LL	-
41	COMPLETE BOILER DRAIN HOSE	5164001.01LL	-
43	FILTER D8,5	5471019	-
44	WASHER D10 X 2 COPPER	5221858	J 151
45	UNION ELBOW 3/8"G X M13 OT	5301507	F 1730
46	SCREW TCI M3,5X15	7630901	-
47	WASHER Ø 4	7813801	F 785



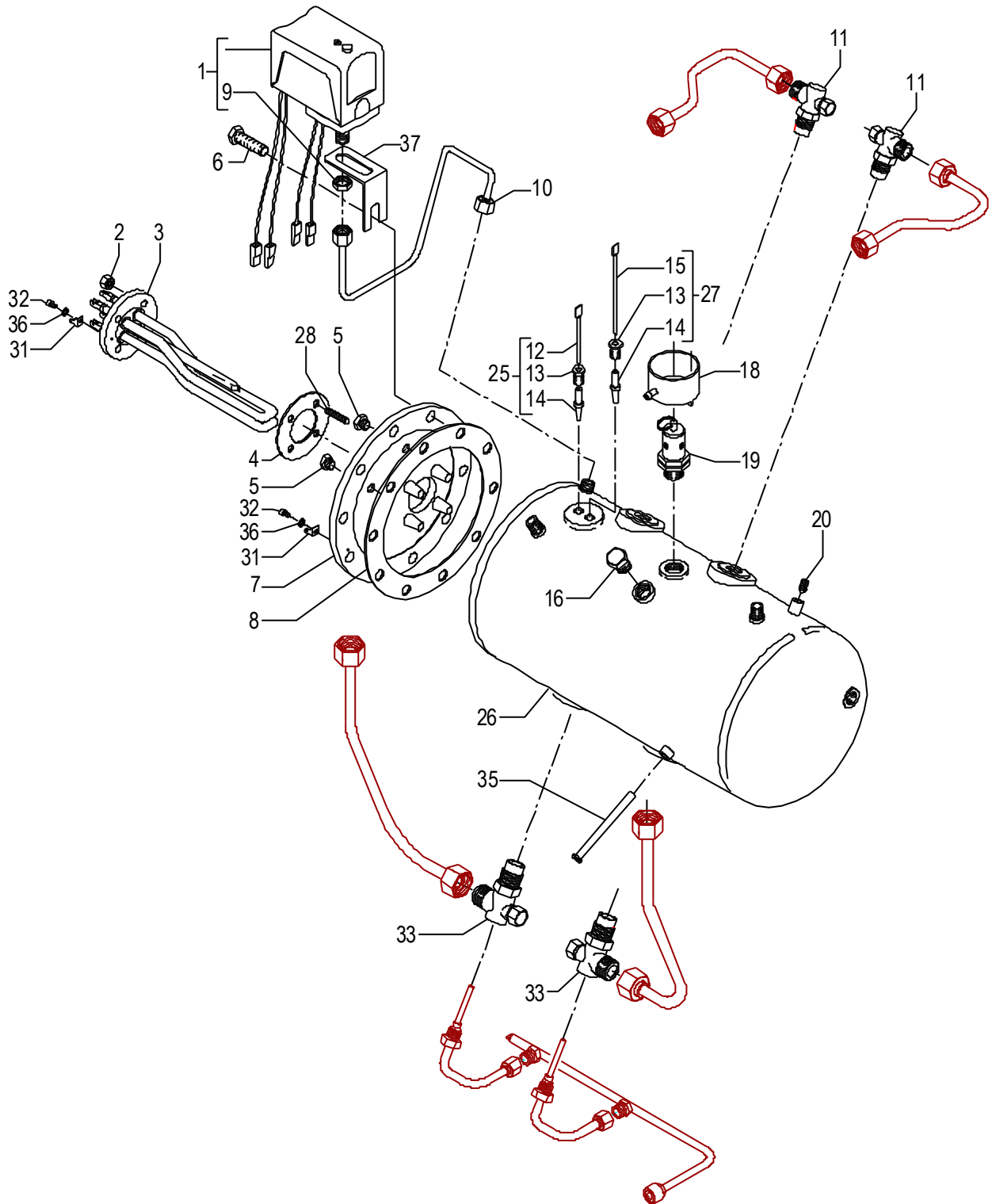


POS	DESCRIPTION	CODE	REFERENCE
01	INSERT D9.5 H14	5371301	KEY 144
02	SWITCH KNOB D42 BLUE	5371807	KEY 117B
02	SWITCH KNOB D42 GREY	5371806	KEY 104G
03	SLEEVE D15X3 H9.5	5220803	F 1727
04	SCREW TC M3X25	7809802	F 1766
06	SHAPED PLUG BLUE	5373912	KEY 118B
06	SHAPED PLUG GREY	5373911	KEY 105G
07	GREEN LAMP 110/240V	7633602	J 847/230
08	ORANGE LAMP 110/240V	7633604	J 848/230
09	RED LAMP	7633606	J 849/230
11	SWITCH 2 POSITIONS 4 CONTACTS	7633301	KEY 147
11	SWITCH 2 POSITIONS 6 CONTACTS	7633302	KEY 148
14	SCREW TCS M5X8 DIN 964 A2	7817401	GB/1 784
15	PLAIN WASHER D6 UNI 6592 FEZN	7805004	-
16	PRESSURE GAUGE D63 DOUBLE SCALE	7432502	U 1551
17	SCREW TCEI M4X12	7816002	F 1600
18	PRESSURE GAUGE CAPILLARY	7400901	-
19	INLET AUTOMATIC LEVEL HOSE	5162218LL	-
20	STRAIGHT FITTING 1/8"G WITH COUNTERSINK	7304502LL	LI 173
21	PRESSURE GAUGE SUPPORT	5018409LL	KEY 003P
22	SOLENOID VALVE CONNECTOR	7631504	C/1 327
23	SOLENOID VALVE 2 WAY 110V PARKER (FROM 02/07)	7701114	-
23	SOLENOID VALVE 2 WAY 220/240V PARKER (FROM 09/06)	7702312	-
24	SOLENOID VALVE COIL 110V SIRAI	7630301	-
24	SOLENOID VALVE COIL 220/230V SIRAI	7630303	-
24	SOLENOID VALVE COIL 240V SIRAI	7630304	-
24	SOLENOID VALVE COIL 110V PARKER	7630324	-
24	SOLENOID VALVE COIL 220/240V PARKER	7630325	-
25	SOLENOID VALVE WITHOUT COIL SIRAI	7703009	-
25	SOLENOID VALVE WITHOUT COIL PARKER	7703011	-
26	STRAIGHT FITTING M13 X 1/8"GC	5225238	-
27	ASSEMBLY COMPLETE CHECK VALVE	5223018.01	-
28	JET M6 X 6 HOLE D0.8 OT	5223003	F 1316
29	STRAIGHT FITTING M13 X 1/8"GC	5302014	F 1726
30	STRAIGHT FITTING 1/8"G OT	5302015	LI 174
31	STUD D8.5 X 17.5 OT	5224002	F 1259
32	OR GASKET D4.2 X 1.9 VITON	7496035	J 421
33	COMPLETE CHECK VALVE HOSE	5163007LL	-
41	COMPLETE BOILER DRAIN HOSE	5164001.01LL	-
43	FILTER D8,5	5471019	-
44	WASHER D10 X 2 COPPER	5221858	J 151
45	UNION ELBOW 3/8"G X M13 OT	5301507	F 1730
46	SCREW TCI M3,5X15	7630901	-
47	WASHER Ø 4	7813801	F 785



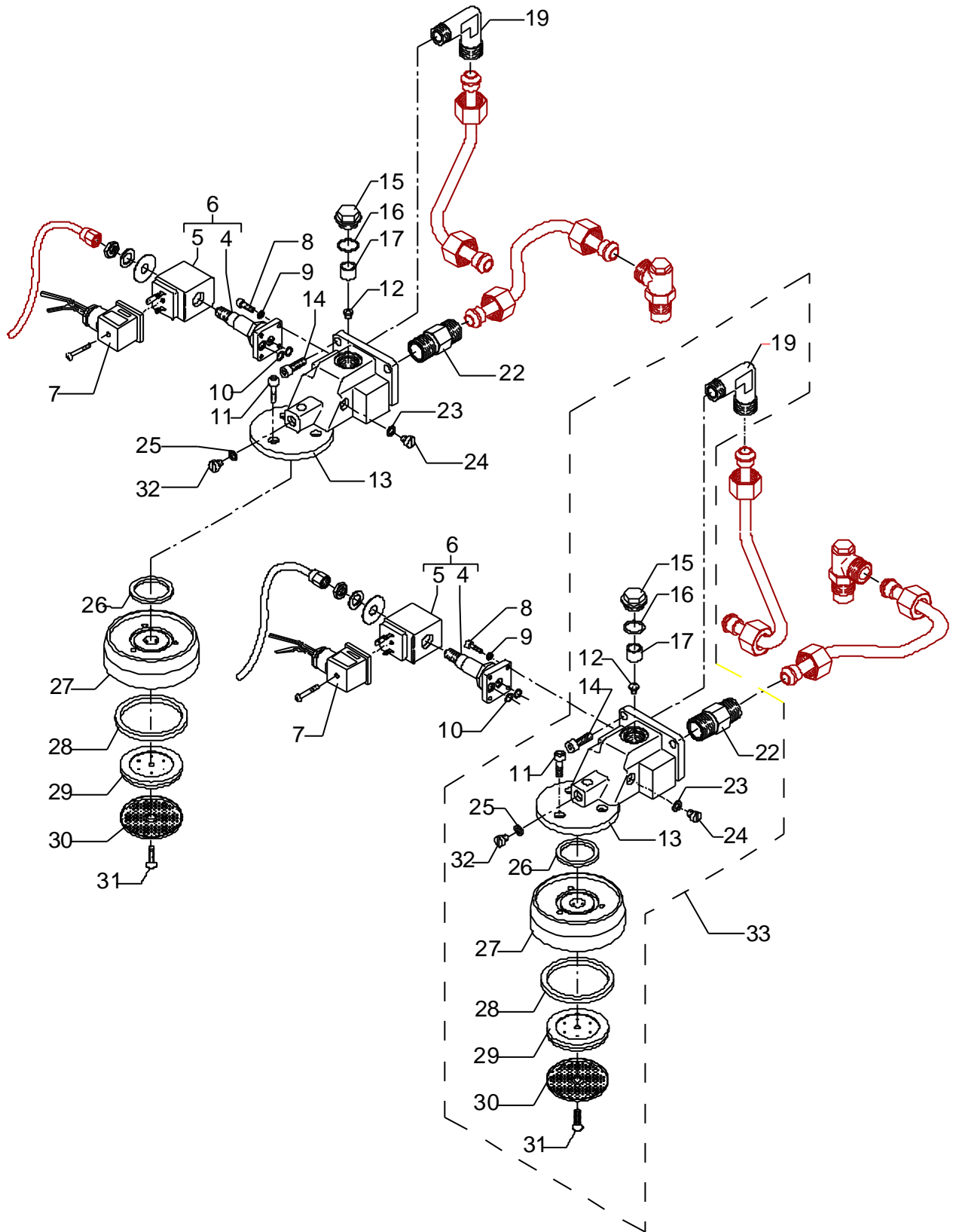


POS	DESCRIPTION	CODE	REFERENCE
01	PRESSOSTAT PARKER PS325/1	7433015	U/5 2343
02	NUT M8 UNI 5587 ASTM A194	7812607	-
03	HEATING ELEMENT 1GR 1400W 110/120V	5721114	T/12 1561/110
03	HEATING ELEMENT 1GR 2000W 220/240V	5722236	-
03	HEATING ELEMENT 2GR 220/230 4500W	5722230	T/11 1555/220
03	HEATING ELEMENT 2GR 240V 4000W	5722435	-
03	HEATING ELEMENT 2GR 2600W 110/120V	5721131	-
03	HEATING ELEMENT 2GR 3000W 220/240V	5722242	-
03	HEATING ELEMENT 3-4GR 3000W 110/120V	5721111	-
03	HEATING ELEMENT 3-4GR 5000W 220/230V	5722222	T/12 1564/220
03	HEATING ELEMENT 3-4GR 5000W 240V	5722419	T/12 1564/240
03	HEATING ELEMENT 3-4GR 6000V 220/230V	5722233	T/11 1556/220
04	GASKET D76 X 39 X 2 ASBESTOS FREE	5492006	T 1493
05	PLUG M10 H12 OT	5226404	F 682
06	SCREW TE M10X18 DIN 933 A2	7816424	
07	BOILER FLANDE D205 OT	5283502	W 2152
08	GASKET D203 X 151 X 2 ASBESTOS FREE	5492005	J 57A
09	NUT 1/4"G H5 OT	5221821	T 1498
10	COMPLETE HOSE FOR PRESSOSTAT	5162001LL	06.16.00.718
11	FITTING 1/2"NPT X 1/2"G	5300503.01	-
12	LEVEL PROBE 2-3-4GR. D3X90X6.3 AISI 304	5265807	Y/5 2381
12	LEVEL PROBE 1GR D3 X 110 X 6.3	5265804	Y/10 2394
13	STRAIGHT FITTING M10 OT	5225205	Y 2257/2
14	PROBE SHEATH D8 X 45 HOLE D3 PTFE	5192001	Y/5 2383/A
15	LEVEL PROBE D3X160X4.8	5265811	Y/5 2420
16	PLUG 3/8"G	5226403	F 643
18	COMPLETE CUP	5963047	-
19	ASSEMBLY SAFETY VALVE 1.5 BAR	5965015.01	-
20	DOWEL EI 1/8"GX8 UNI5923 OT OT	7823001	-
25	ASSEMBLY MAXIMUM LEVE PROBE 1GR.	5973011	-
25	ASSEMBLY MAXIMUM LEVE PROBE 2-3-4GR.	5973012	-
26	BOILER 1 GR.	5320515BL	-
26	BOILER 2GR.	5321015BL	-
26	BOILER 3GR.	5321515BL	-
26	BOILER 4GR.	5322015BL	-
27	ASSEMBLY MINIMUM LEVE PROBE 1-2-3-4GR.	5973013	-
28	TIE ROD M8 X 31 ASTM A193	5267013	F 980
31	FASTON 45° HOLE D4.3	7615003	J 542
32	SCREW TCI M4X6 UNI 6107 OT	7826212	F 1219
33	FITTING 1/2" X 1/2"	5300512.01	-
35	WATER SAUCTION HOSE D6X1 L=80	5192307LL	-
36	WASHER Ø 4	7814001	-
37	PRESSOSTAT SQUARE	5037830LW	-



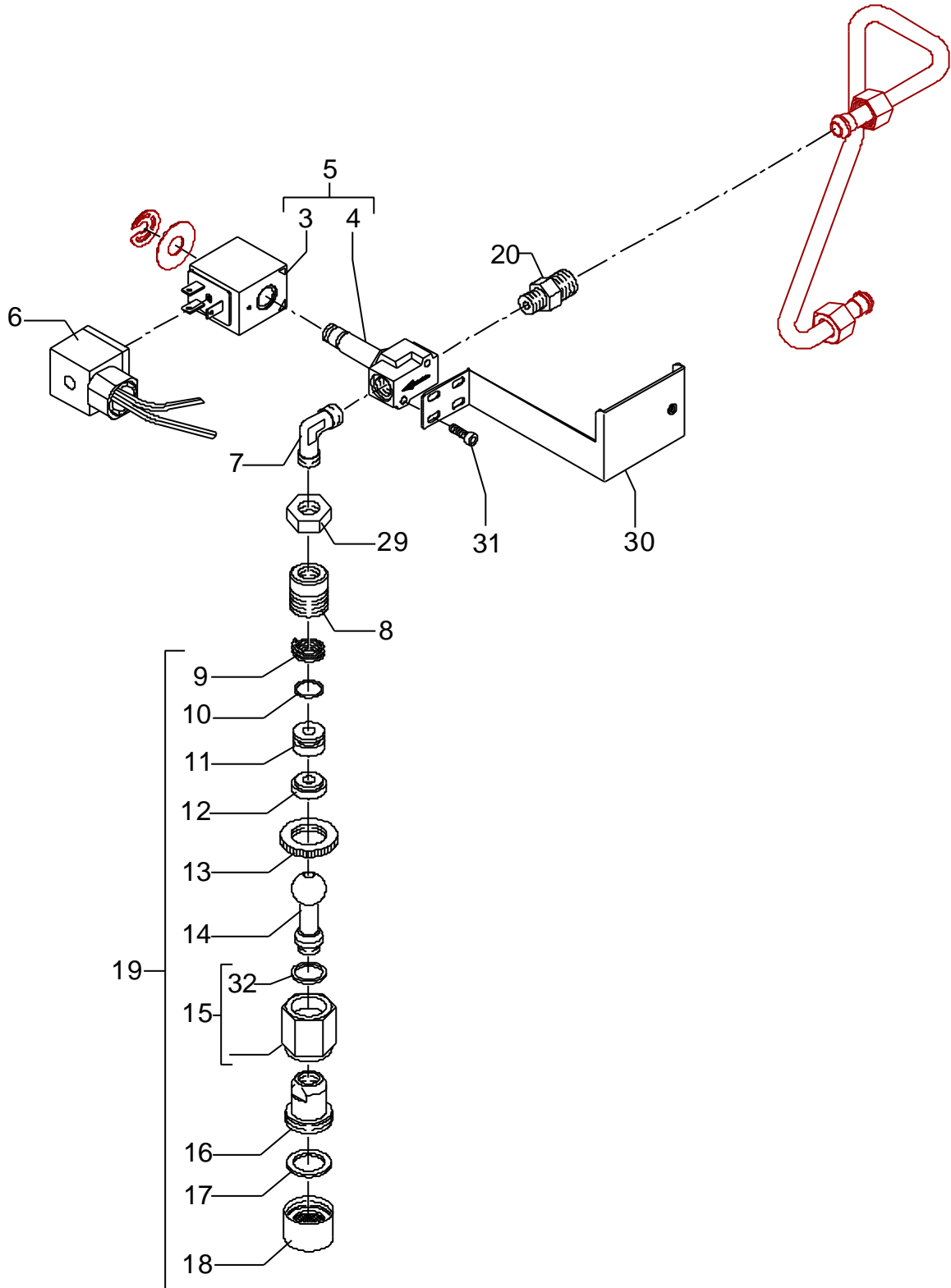


POS	DESCRIPTION	CODE	REFERENCE
04	SOLENOID VALVE WITHOUT COIL SIRAI	7703008	-
04	SOLENOID VALVE WITHOUT COIL PARKER	7703012	-
05	SOLENOID VALVE COIL 110V SIRAI	7630321	-
05	SOLENOID VALVE COIL 220/240V SIRAI	7630322	-
05	SOLENOID VALVE COIL 110V PARKER	7630324	-
05	SOLENOID VALVE COIL 220/240V PARKER	7630325	-
06	SOLENOID VALVE 3 WAY 110V PARKER (FROM 01/07)	7701113	-
06	SOLENOID VALVE 3 WAY 220/240V PARKER (FROM 12/06)	7702211	-
07	GROUP SOLENOID VALVE CONNECTOR	7631506	C/1 319
08	SCREW TCEI M4X12	7816002	F 1600
09	WASHER Ø 4	7814001	-
10	OR GASKET 105 VITON	7496018	C 311
11	SCREW TCEI M5X12 UNI 5931 A2	7816001	A 121
12	JET M5 X 9 HOLE D0.8 OT	5223001	A 114
13	DELIVERY GROUP BODY OT	5283005	-
14	SCREW TCEI M8X25 UNI 5931 A2	7816015	A 116B
15	PLUG M18 H16 OT	5288001	A 111
16	OR GASKET 119 VITON	7496005	A 112
17	FILTER D13.5 H11 AISI 304	5471002	A 113
19	UNION ELBOW 1/4"G X 1/2"G OT	5301502	F 1189
22	STRAIGHT FITTING 1/4" X 1/2"G OT	5225266	F 1731
23	GASKET D11 X 8.5 X 1 ASBESTOS FREE	5492002	J 304
24	SCREW M8 X 6 OT	5227002	A 125
25	GASKET D10,5X6,3X1 ASBESTOS FREE	5492001	J 298
26	OR GASKET 139 VITON	7496004	A 122
27	COUPLING RING OT CHROMED	5280502CM	A/B 153P
28	GASKET H 9,3 NBR 90SH	7493008	-
29	SHOWER-HOLDER D57OT	5285501	A 132
30	SHOWER D57 AISI 304	5470501	A 130
31	SCREW TPS M5X16 DIN 963 A2	7817001	A 131
32	SCREW M6 X 6 OT	5227001	A 124
33	ASSEMBLY DELIVERY GROUP	5963535.01	-



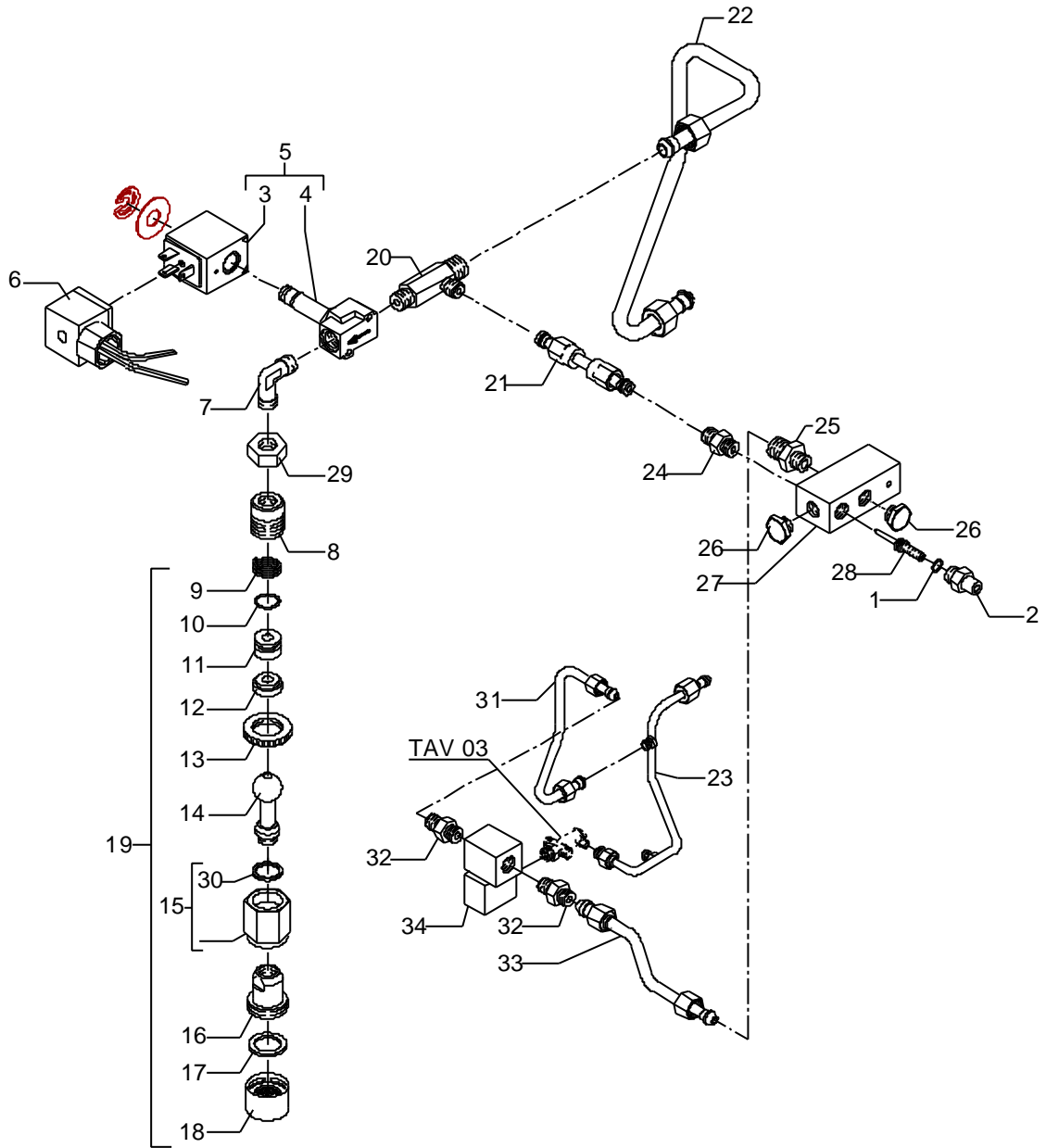


POS	DESCRIPTION	CODE	REFERENCE
03	SOLENOID VALVE COIL 110V SIRAI	7630301	-
03	SOLENOID VALVE COIL 220/230V SIRAI	7630303	-
03	SOLENOID VALVE COIL 240V SIRAI	7630304	-
03	SOLENOID VALVE COIL 110V PARKER	7630324	-
03	SOLENOID VALVE COIL 220/240V PARKER	7630325	-
04	SOLENOID VALVE WITHOUT COIL SIRAI	7703009	-
04	SOLENOID VALVE WITHOUT COIL PARKER	7703011	-
05	SOLENOID VALVE 2 WAY 110V PARKER (FROM 02/07)	7701114	-
05	SOLENOID VALVE 2 WAY 220/240V PARKER (FROM 09/06)	7702312	-
06	SOLENOID VALVE CONNECTOR	7631504	C/1 327
07	UNION ELBOW 1/8"G	7303001	F 1141
08	FITTING M18X1.25 H23	5225222	M/3 2408
09	SPRING D14 AISI 302	5471504	O/6 2500
10	TAP GASKET OR 112 EPDM 70SH	7496076	-
11	GASKET-HOLDER D14.7 X 10.5 OT	5224605	O/6 2502
12	GASKET D16X6X6 PTFE GRAPHITIZED	5494002	O/6 2503
13	RING NUT M18	5222801	O/1 1251G
14	WATER HOSE L=44MM CHROMED	5225603CM	O/9 2521/A
15	NUT M18 NICKEL-PLATED WITH GASKET	5221871NC-LL	-
16	STRAIGHT FITTING M22 X 1 H25 OT CHROMED	5225226CM	F 1257
17	GASKET D20.5X15 H1.5 NBR 70SH	5493003	-
18	WATER HOSE TERMINAL D23.5 H16 OT CHROMED	5226601CM	F 1272
19	ASSEMBLY COMPLETE WATER HOSE	5966501	O/16 2541/A
20	STRAIGHT FITTING M13 X 1/8"GC	5302014	F 1726
29	NUT 1/8"G H3	5221844	F 1139
30	SQUARE SUPPORT EV	5037819LL	-
31	SCREW TCI M3X7 UNI 6107 OT	7826208	F 765
32	GASKET Ø16X13,2X2 PTFE	5494009	-

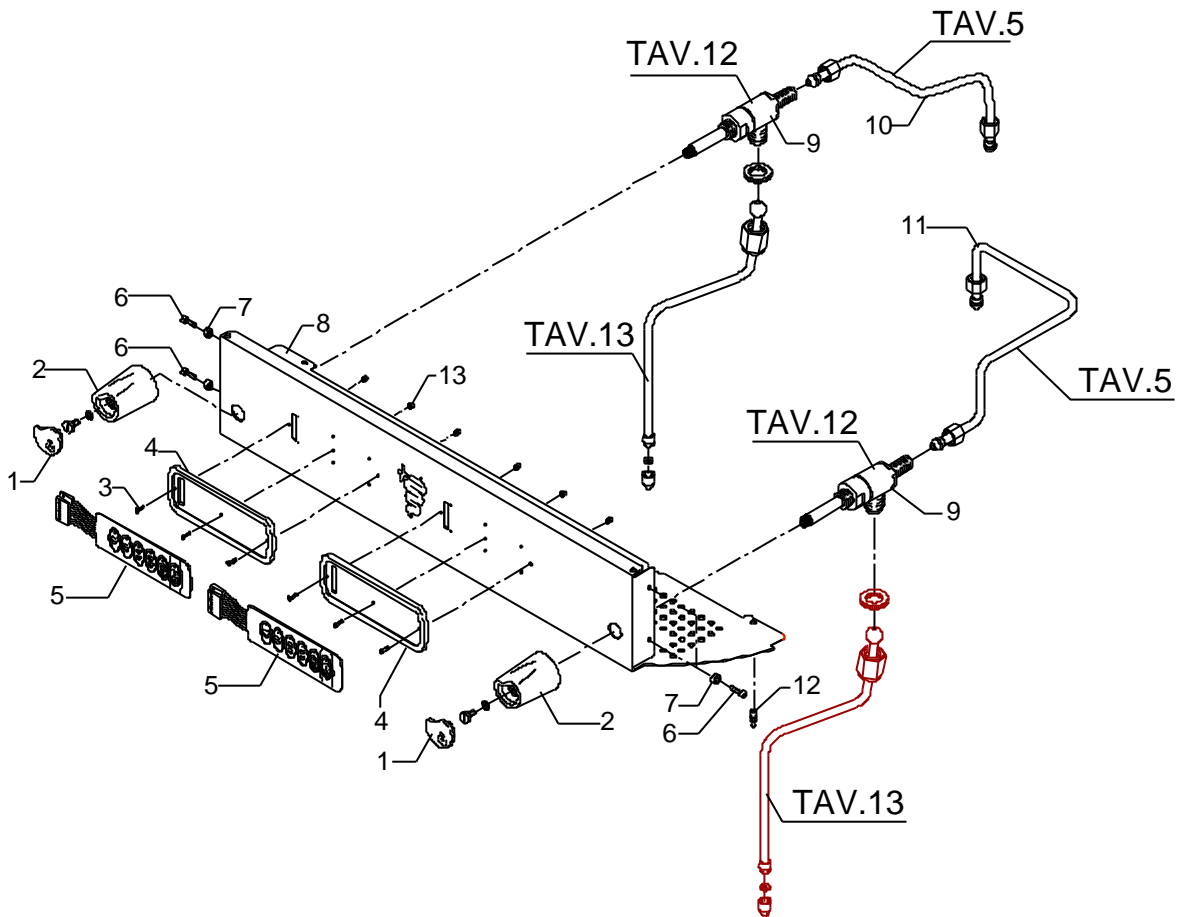




POS	DESCRIPTION	CODE	REFERENCE
01	OR GASKET 102 NBR 70SH	7496009	-
02	STRAIGHT FITTING 1/8"G H20 OT	5225208	-
03	SOLENOID VALVE COIL 110V SIRAI	7630301	-
03	SOLENOID VALVE COIL 220/230V SIRAI	7630303	-
03	SOLENOID VALVE COIL 240V SIRAI	7630304	-
03	SOLENOID VALVE COIL 110V PARKER	7630324	-
03	SOLENOID VALVE COIL 220/240V PARKER	7630325	-
04	SOLENOID VALVE WITHOUT COIL SIRAI	7703009	-
04	SOLENOID VALVE WITHOUT COIL PARKER	7703011	-
05	SOLENOID VALVE 2 WAY 110V PARKER (FROM 02/07)	7701114	-
05	SOLENOID VALVE 2 WAY 220/240V PARKER (FROM 09/06)	7702312	-
06	SOLENOID VALVE CONNECTOR	7631504	C/1 327
07	UNION ELBOW 1/8"G	7303001	F 1141
08	FITTING M18X1.25 H23	5225222	M/3 2408
09	SPRING D14 AISI 302	5471504	O/6 2500
10	TAP GASKET OR 112 EPDM 70SH	7496076	-
11	GASKET-HOLDER D14.7 X 10.5 OT	5224605	O/6 2502
12	GASKET D16X6X6 PTFE GRAPHITIZED	5494002	O/6 2503
13	RING NUT M18	5222801	O/1 1251G
14	WATER HOSE L=44MM CHROMED	5225603CM	O/9 2521/A
15	NUT M18 NICKEL-PLATED WITH GASKET	5221871NC-LL	-
16	STRAIGHT FITTING M22 X 1 H25 OT CHROMED	5225226CM	F 1257
17	GASKET D20.5X15 H1.5 NBR 70SH	5493003	-
18	WATER HOSE TERMINAL D23.5 H16 OT CHROMED	5226601CM	F 1272
19	ASSEMBLY COMPLETE WATER HOSE	5966501	O/16 2541/A
20	FITTING 3 WAY FOR MIXER OR PICKLED	5225225	F 1739
21	MIXER HOSE 2-3-4GR	5162008LL	-
22	HOT WATER HOSE ELL DE 1/2/3/4 GR	5163009LL	-
23	INLET AUTOMATIC LEVEL HOSE X MIXER	5162287LL	-
24	STRAIGHT FITTING 1/8"G OT	5225207	-
25	STRAIGHT FITTING 1/8"G X M12 OT	5302004	F 904
26	PLUG 1/8"G H9 ES.12 OT	5226402	F 1113
27	DISTRIBUTOR FOR MIXER	5222401	F 1740
28	SCREW M5X38 AISI 303	5263801	-
29	NUT 1/8"G H3	5221844	F 1139
30	GASKET D16X13,2X2 PTFE	5494009	-
31	INLET EV MIXER HOSE ELL	5162243LL	-
32	STRAIGHT FITTING 1/8"G X M12 OT	5302004	-
33	OUTLET EV MIXER HOSE ELL	5162244LL	-
34	SOLENOID VALVE 2 WAY 220/240V PARKER (FROM 09/06)	7702312	-
34	SOLENOID VALVE 2 WAY 110V PARKER	7701114	-



POS	DESCRIPTION	CODE	REFERENCE
01	STEAM PLUG BLUE	5373908	KEY 122B
01	STEAM PLUG GREY	5373907	KEY 109G
02	BLUE KNOB	5371805	-
02	GREY KNOB	5371804	-
03	SCREW TPS M3X10 UNI 7688 DIN 965 A2	7817803	F 1301
04	MEMBRANE-HOLDER DE-TE ABS BLUE	5372702	KEY 127B
04	MEMBRANE-HOLDER DE-TE ABS GREY	5372701	KEY 114G
05	MEMBRANE DE 5 PUSH BUTTON 130X40	5660502	J 851
05	MEMBRANE DE 6 PUSH BUTTON 130X40	5660501	J 850
06	SCREW TCEI M4X12	7816002	F 1600
07	BUSHING D10 X 4.2 OT	5220802	KEY 052
08	WORKING FRONTAL PANEL DE 1GR. PUSH BUTTON BLUE	5094382SB	-
08	WORKING FRONTAL PANEL DE 1GR. PUSH BUTTON GREY	5094382SG	-
08	WORKING FRONTAL PANEL DE 1GR BLUE	5094204SB	KEY 044PB
08	WORKING FRONTAL PANEL DE 1GR GREY	5094204SG	KEY 044PG
08	WORKING FRONTAL PANEL DE 2GR. PUSH BUTTON BLUE	5094371SB	-
08	WORKING FRONTAL PANEL DE 2GR. PUSH BUTTON GREY	5094371SG	-
08	WORKING FRONTAL PANEL DE 2GR. BUTTON BLUE WITHOUT LOGO	5094397SB	-
08	WORKING FRONTAL PANEL DE 2GR. BUTTON GREY WITHOUT LOGO	5094397SG	-
08	WORKING FRONTAL PANEL DE 2GR BLUE	5094206SB	KEY 058PB
08	WORKING FRONTAL PANEL DE 2GR GREY	5094206SG	KEY 058PG
08	WORKING FRONTAL PANEL DE 3GR BLUE	5094208SB	KEY 043PB
08	WORKING FRONTAL PANEL DE 3GR GREY	5094208SG	KEY 043PG
08	WORKING FRONTAL PANEL DE 4GR BLUE	5094303SB	-
08	WORKING FRONTAL PANEL DE 4GR GREY	5094303SG	-
09	ASSEMBLY STEAM TAP BLUE	5974008.01	-
09	ASSEMBLY STEAM TAP GREY	5974007.01	-
10	COMPLETE LEFT STEAM TAP HOSE 1GR	5163001LL	-
10	COMPLETE LEFT STEAM TAP HOSE 2GR	5163002LL	-
10	COMPLETE LEFT STEAM TAP HOSE 3-4GR	5163003LL	06.16.00.738
11	COMPLETE RIGHT STEAM TAP HOSE 2-3-4GR	5163004LL	06.16.00.731
12	STUD M4X22.6 AVP NICHEL-PLATED	5244008NC	KEY 061
13	SELF-LOCKING NUT M3 UNI 7473	7802401	SIS 16

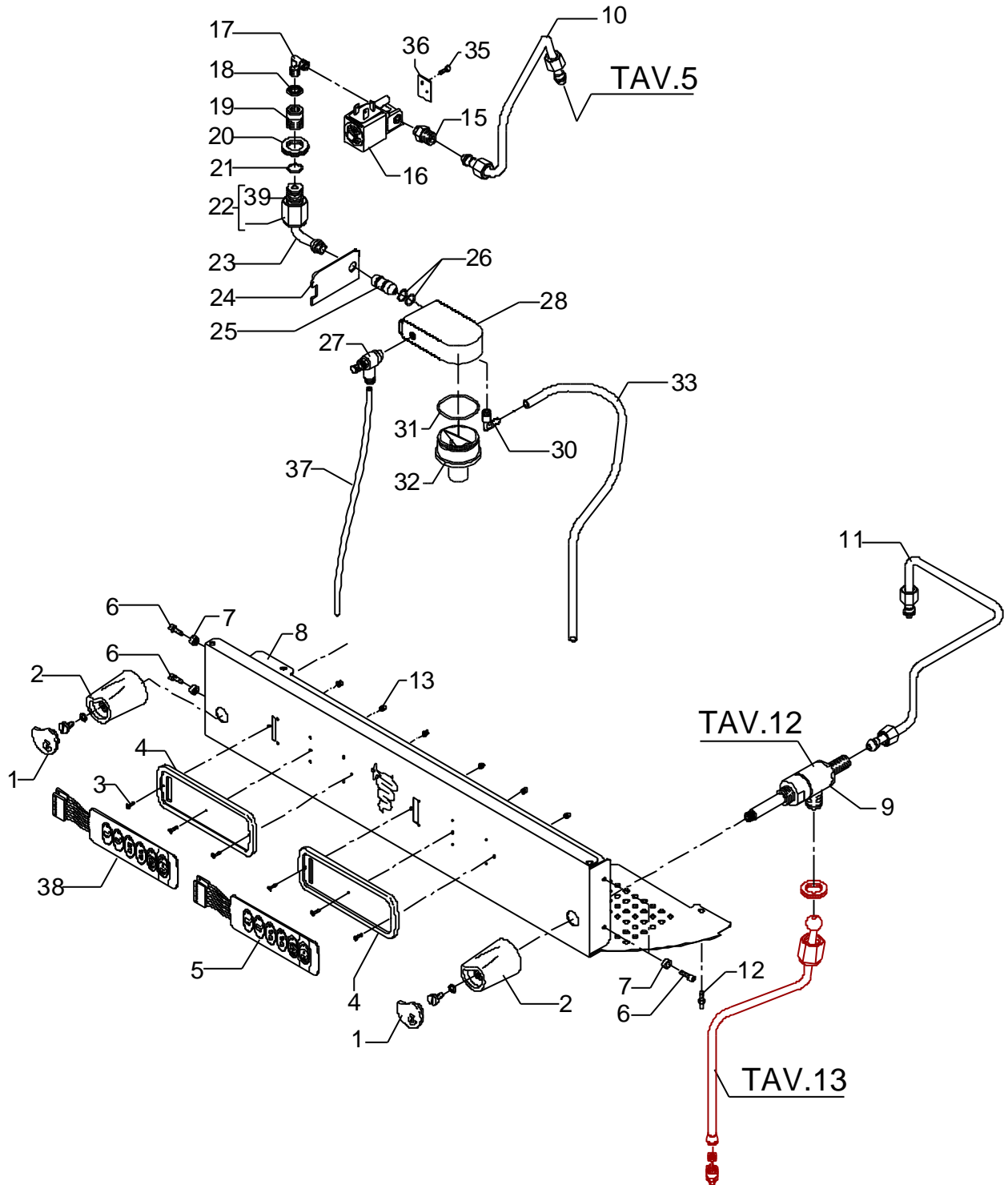




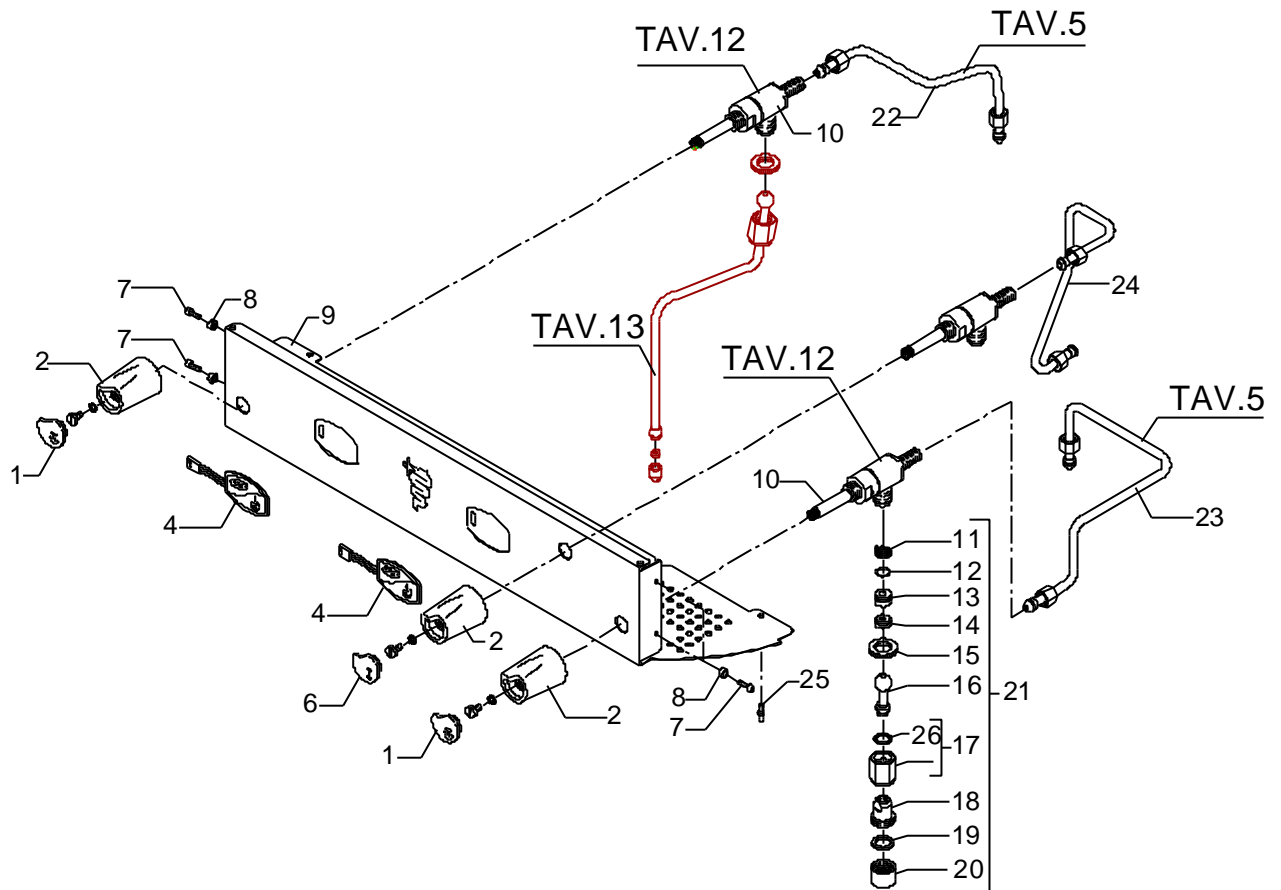
BEZZERA
dal 1901

Tav. 08A (automatic foamer)

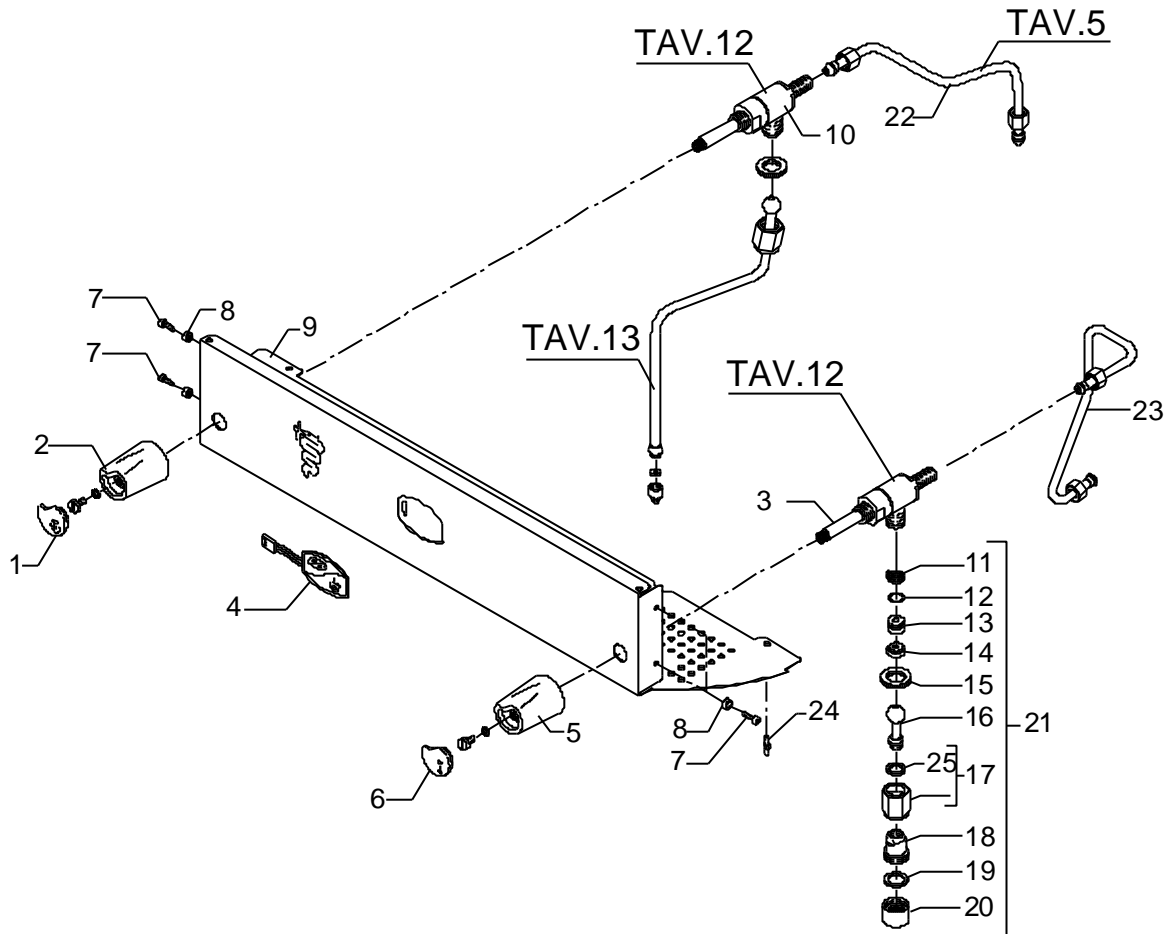
POS	DESCRIPTION	CODE	REFERENCE
01	STEAM PLUG BLUE	5373908	KEY 122B
01	STEAM PLUG GREY	5373907	KEY 109G
02	BLUE KNOB	5371805	-
02	GREY KNOB	5371804	-
03	SCREW TPS M3X10 UNI 7688 DIN 965 A2	7817803	F 1301
04	MEMBRANE-HOLDER DE-TE ABS BLUE	5372702	KEY 127B
04	MEMBRANE-HOLDER DE-TE ABS GREY	5372701	KEY 114G
05	MEMBRANE DE 6 PUSH BUTTON 130X40	5660501	J 850
06	SCREW TCEI M4X12	7816002	F 1600
07	BUSHING D10 X 4.2 OT	5220802	KEY 052
08	WORKING FRONTAL PANEL DE 2GR. BLUE	5094220SB	-
08	WORKING FRONTAL PANEL DE 2GR. GREY	5094220SG	-
09	ASSEMBLY STEAM TAP BLUE	5974008.01	-
09	ASSEMBLY STEAM TAP GREY	5974007.01	-
10	FOAMER HOSE	5163109LL	-
11	COMPLETE RIGHT STEAM TAP HOSE 2-3-4GR	5163004LL	06.16.00.731
12	STUD M4X22.6 AVP NICHEL-PLATED	5244008NC	KEY 061
13	SELF-LOCKING NUT M3 UNI 7473	7802401	SIS 16
14	MEMBRANE DE	5660520	-
15	STRAIGHT FITTING M13 X 1/8"GC	5302014	F 1726
16	SOLENOID VALVE 2 WAY 110V PARKER (FROM 02/07)	7701114	-
16	SOLENOID VALVE 2 WAY 220/240V PARKER (FROM 09/06)	7702312	-
17	UNION ELBOW 1/8"G	7303001	F 1141
18	NUT 1/8"G H3	5221844	F 1139
19	FITTING M18X1.25 H23	5225222	M/3 2408
20	RING NUT M18	5222801	O/1 1251G
21	TAP GASKET OR 112 EPDM 70SH	7496076	-
22	NUT M18 NICKEL-PLATED WITH GASKET	5221871NC-LL	-
23	FOAMER CROMED PIPE	5163021CM	-
24	FOAMER SUPPORT	5055742	-
25	FITTING D11.5	5370312	-
26	OR GASKET D8X2 SILICONE	7496017	J 734
27	REGULATOR	7402401	-
28	FOAMER BODY	5371104	-
30	RUBBER-HOLDER	7303031	-
31	OR GASKET D28,3X1,78 EPDM70	7496082	-
32	SPOUT	5370307	-
33	D8 X 1.5 L=550 SILICONE HOSE	5194533	J 755
35	SCREW TCI M3X7 UNI 6107 OT	7826208	F 765
36	FOAMER SUPPORT	5057805LL	-
37	FOAMER CLEANING PIPE	5194545	-
38	MEMBRANE DE	5660520	-
39	GASKET Ø16X13,2X2 PTFE	5494009	-



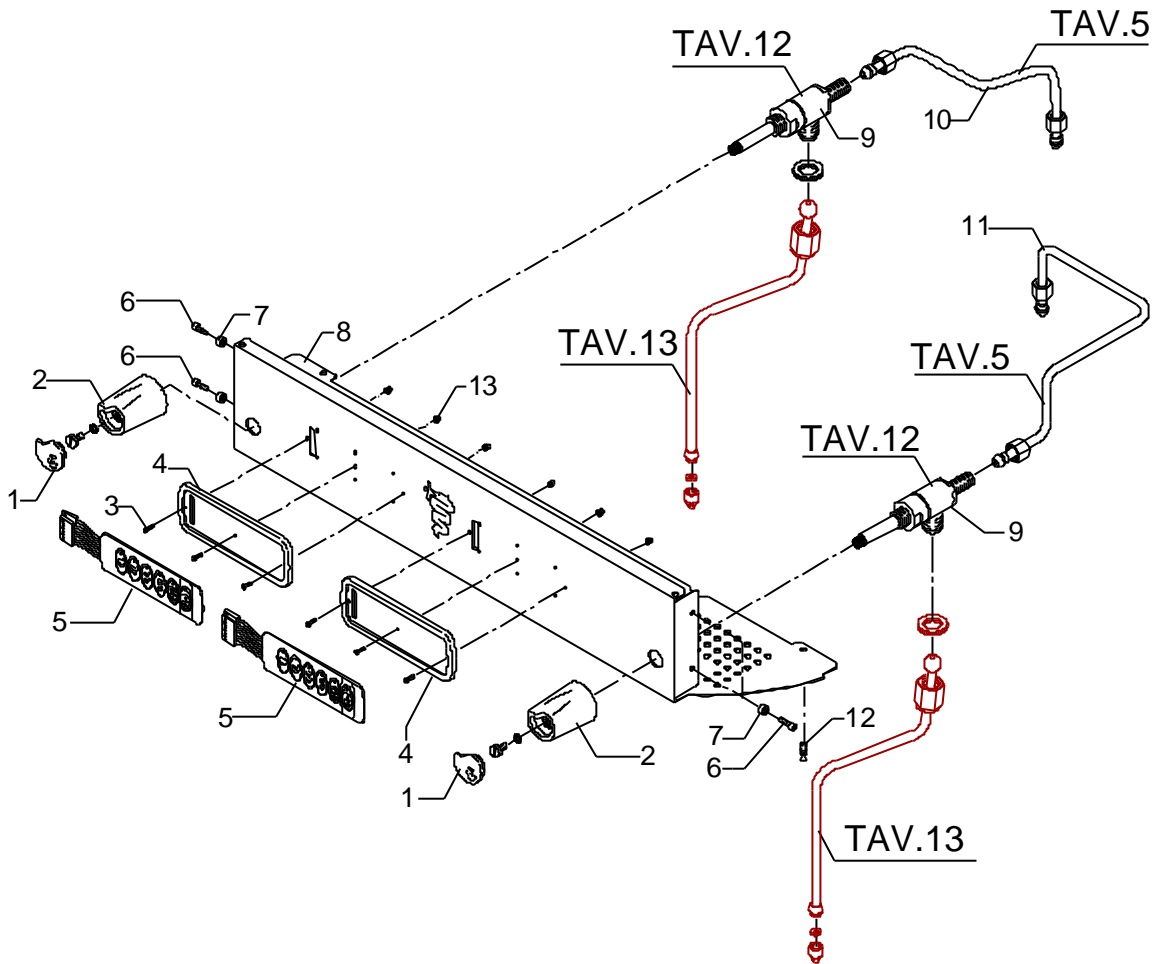
POS	DESCRIPTION	CODE	REFERENCE
01	STEAM PLUG BLUE	5373908	KEY 122B
01	STEAM PLUG GREY	5373907	KEY 109G
02	BLUE KNOB	5371805	-
02	GREY KNOB	5371804	-
03	ASSEMBLY WATER TAP BLUE	5974010.01	-
03	ASSEMBLY WATER TAP GREY	5974009.01	-
04	MEMBRANE P 60X40	5660505	J 854
06	WATER PLUG BLUE	5373910	KEY 120B
06	WATER PLUG GREY	5373909	KEY 107G
07	SCREW TCEI M4X12	7816002	F 1600
08	BUSHING D10 X 4.2 OT	5220802	KEY 052
09	WORKING FRONTAL PANEL P 2GR BLUE	5094207SB	-
09	WORKING FRONTAL PANEL P 2GR GREY	5094207SG	-
09	WORKING FRONTAL PANEL P 3GR BLUE	5094209SB	-
09	WORKING FRONTAL PANEL P 3GR GREY	5094209SG	-
09	WORKING FRONTAL PANEL P 4GR BLUE	5094304SB	-
09	WORKING FRONTAL PANEL P 4GR GREY	5094304SG	-
10	ASSEMBLY STEAM TAP BLUE	5974008.01	-
10	ASSEMBLY STEAM TAP GREY	5974007.01	-
11	SPRING D14 AISI 302	5471504	O/6 2500
12	GASKET OR 112 EPDM 70SH	7496076	-
13	GASKET-HOLDER D14.7 X 10.5 OT	5224605	O/6 2502
14	GASKET D16X6X6 PTFE GRAPHITIZED	5494002	O/6 2503
15	RING NUT M18	5222801	O/1 1251G
16	WATER HOSE L=44MM CHROMED	5225603CM	O/9 2521/A
17	NUT M18 NICKEL-PLATED WITH GASKET	5221871NC-LL	-
18	STRAIGHT FITTING M22 X 1 H25 OT CHROMED	5225226CM	F 1257
19	GASKET D20.5X15 H1.5 NBR 70SH	5493003	-
20	WATER HOSE TERMINAL D23.5 H16 OT CHROMED	5226601CM	F 1272
21	ASSEMBLY COMPLETE WATER HOSE	5966501	O/16 2541/A
22	COMPLETE LEFT STEAM TAP HOSE 2GR	5163002LL	-
22	COMPLETE LEFT STEAM TAP HOSE 3-4GR	5163003LL	06.16.00.738
23	COMPLETE RIGHT STEAM TAP HOSE 2-3-4GR	5163004LL	06.16.00.731
24	COMPLETE WATER TAP HOSE 2-3GR	5163005LL	-
25	STUD M4X22.6 AVP NICHEL-PLATED	5244008NC	KEY 061
26	GASKET Ø16X13,2X2 PTFE	5494009	-



POS	DESCRIPTION	CODE	REFERENCE
01	STEAM PLUG BLUE	5373908	KEY 122B
01	STEAM PLUG GREY	5373907	KEY 109G
02	BLUE KNOB	5371805	-
02	GREY KNOB	5371804	-
03	ASSEMBLY WATER TAP BLUE	5974010.01	-
03	ASSEMBLY WATER TAP GREY	5974009.01	-
04	MEMBRANE P 60X40	5660505	J 854
06	WATER PLUG BLUE	5373910	KEY 120B
06	WATER PLUG GREY	5373909	KEY 107G
07	SCREW TCEI M4X12	7816002	F 1600
08	BUSHING D10 X 4.2 OT	5220802	KEY 052
09	WORKING FRONTAL PANEL P 1GR BLUE	5094205SB	-
09	WORKING FRONTAL PANEL P 1GR GREY	5094205SG	-
10	ASSEMBLY STEAM TAP BLUE	5974008.01	-
10	ASSEMBLY STEAM TAP GREY	5974007.01	-
11	SPRING D14 AISI 302	5471504	O/6 2500
12	OR GASKET 112 70SH	7496076	-
13	GASKET-HOLDER D14.7 X 10.5 OT	5224605	O/6 2502
14	GASKET D16X6X6 PTFE GRAPHITIZED	5494002	O/6 2503
15	RING NUT M18	5222801	O/1 1251G
16	WATER HOSE ARTICULATION D16X30 OT CHROMED	5225605CM	F 1386
17	NUT M18 NICKEL-PLATED WITH GASKET	5221871NC-LL	-
18	STRAIGHT FITTING M22 X 1 H25 OT CHROMED	5225226CM	F 1257
19	GASKET D20.5X15 H1.5 NBR 70SH	5493003	-
20	WATER HOSE TERMINAL D23.5 H16 OT CHROMED	5226601CM	F 1272
21	ASSEMBLY COMPLETE WATER HOSE SHORT	5966510	O/16 2542/A
22	COMPLETE LEFT STEAM TAP HOSE 1GR	5163001LL	-
23	COMPLETE WATER TAP HOSE 1GR	5163013LL	-
24	STUD M4X22.6 AVP NICHEL-PLATED	5244008NC	KEY 061
25	GASKET Ø16X13,2X2 PTFE	5494009	-

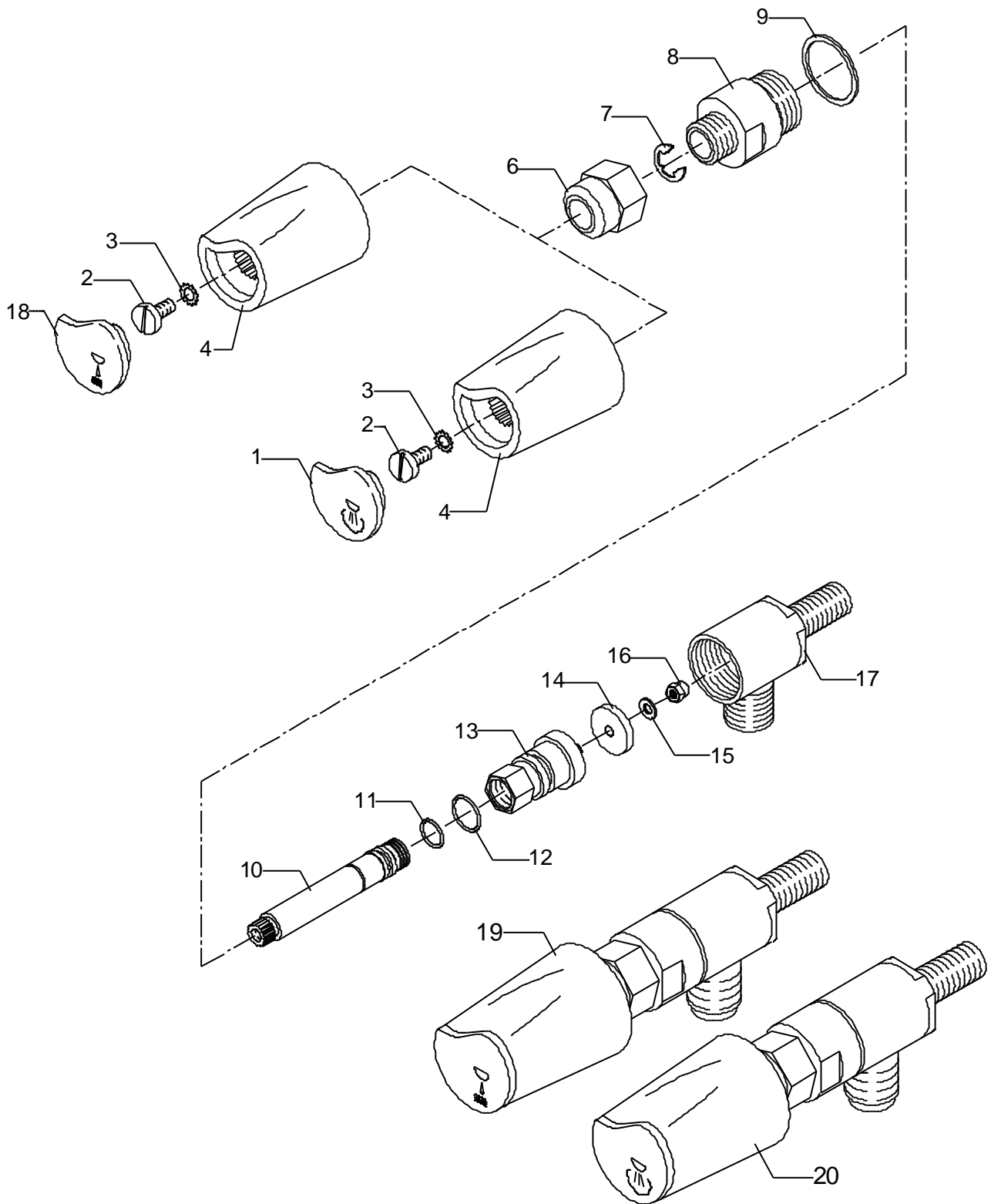


POS	DESCRIPTION	CODE	REFERENCE
01	STEAM PLUG BLUE	5373908	KEY 122B
01	STEAM PLUG GREY	5373907	KEY 109G
02	BLUE KNOB	5371805	-
02	GREY KNOB	5371804	-
03	SCREW TPS M3X10 UNI 7688 DIN 965 A2	7817803	F 1301
04	MEMBRANE-HOLDER DE-TE ABS BLUE	5372702	KEY 127B
04	MEMBRANE-HOLDER DE-TE ABS GREY	5372701	KEY 114G
05	MEMBRANE TE 5 PUSH BUTTON 130X40	5660504	J 853
05	MEMBRANE TE 6 PUSH BUTTON 130X40	5660503	J 852
06	SCREW TCEI M4X12	7816002	F 1600
07	BUSHING D10 X 4.2 OT	5220802	KEY 052
08	WORKING FRONTAL PANEL TE 1GR BLUE	5094315SB	-
08	WORKING FRONTAL PANEL TE 1GR GREY	5094315SG	-
08	WORKING FRONTAL PANEL TE 2GR BLUE	5094316SB	-
08	WORKING FRONTAL PANEL TE 2GR GREY	5094316SG	-
08	WORKING FRONTAL PANEL TE 3GR BLUE	5094317SB	-
08	WORKING FRONTAL PANEL TE 3GR GREY	5094317SG	-
08	WORKING FRONTAL PANEL TE 4GR BLUE	5094318SB	-
08	WORKING FRONTAL PANEL TE 4GR GREY	5094318SG	-
09	ASSEMBLY STEAM TAP BLUE	5974008.01	-
09	ASSEMBLY STEAM TAP GREY	5974007.01	-
10	COMPLETE LEFT STEAM TAP HOSE 1GR	5163001LL	-
10	COMPLETE LEFT STEAM TAP HOSE 2GR	5163002LL	-
10	COMPLETE LEFT STEAM TAP HOSE 3-4GR	5163003LL	06.16.00.738
11	COMPLETE RIGHT STEAM TAP HOSE 2-3-4GR	5163004LL	06.16.00.731
12	STUD M4X22.6 AVP NICHEL-PLATED	5244008NC	KEY 061
13	SELF-LOCKING NUT M3 UNI 7473	7802401	SIS 16



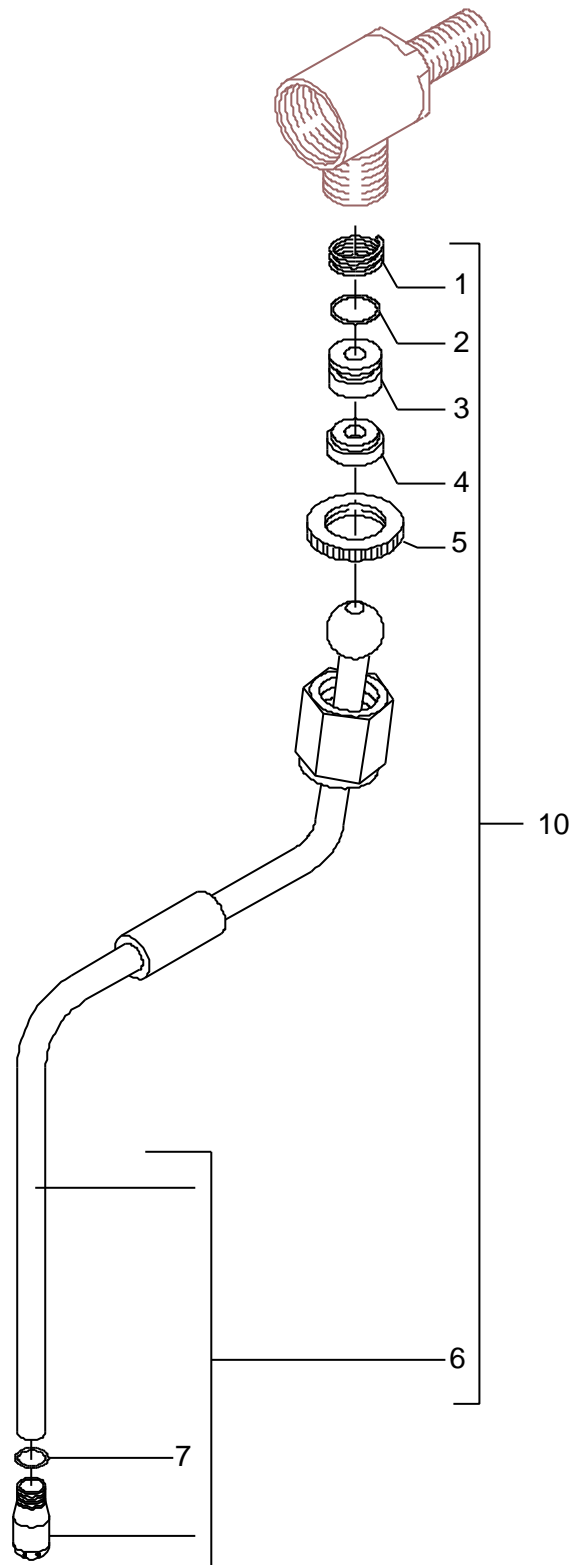


POS	DESCRIPTION	CODE	REFERENCE
01	STEAM PLUG BLUE	5373908	KEY 122B
01	STEAM PLUG GREY	5373907	KEY 109G
02	SCREW TCI M5X10 UNI 6107 OT	7826202	F 794A
03	FAN WASHER D6 DIN 6798A	7804002	F 736
04	BLUE KNOB	5371805	-
04	GREY KNOB	5371804	-
06	NUT 3/8"G OT NICKEL-PLATED	5221804NC	M/5 2424
07	RING D7 UNI 7434 A2	7810601	M/5 2425
08	NUT SCREW	5223402	-
09	GASKET D28 X 1 COPPER	5495001	M/5 2434
10	ADJUSTMENT ROD	5220411	-
11	OR GASKET 10,82X1,78 VITON	7496075	-
12	OR GASKET 115 VITON	7496002	M/5 2430
13	GASKET-HOLDER WITH DOWEL	5970504.01	-
14	TAP GASKET EPT 70SH	5493023	M/5 2431EP
15	PLAIN WASHER D8 X 4 X 0.8 OT	7825001	F 1218
16	CAP NUT M4 OT	7822201	D/B 528
17	TAP BODY OT	5283002	M/5 2433
18	WATER PLUG BLUE	5373910	KEY 120B
18	WATER PLUG GREY	5373909	KEY 107G
19	ASSEMBLY WATER TAP BLUE	5974010.01	-
19	ASSEMBLY WATER TAP GREY	5974009.01	-
20	ASSEMBLY STEAM TAP BLUE	5974008.01	-
20	ASSEMBLY STEAM TAP GREY	5974007.01	-

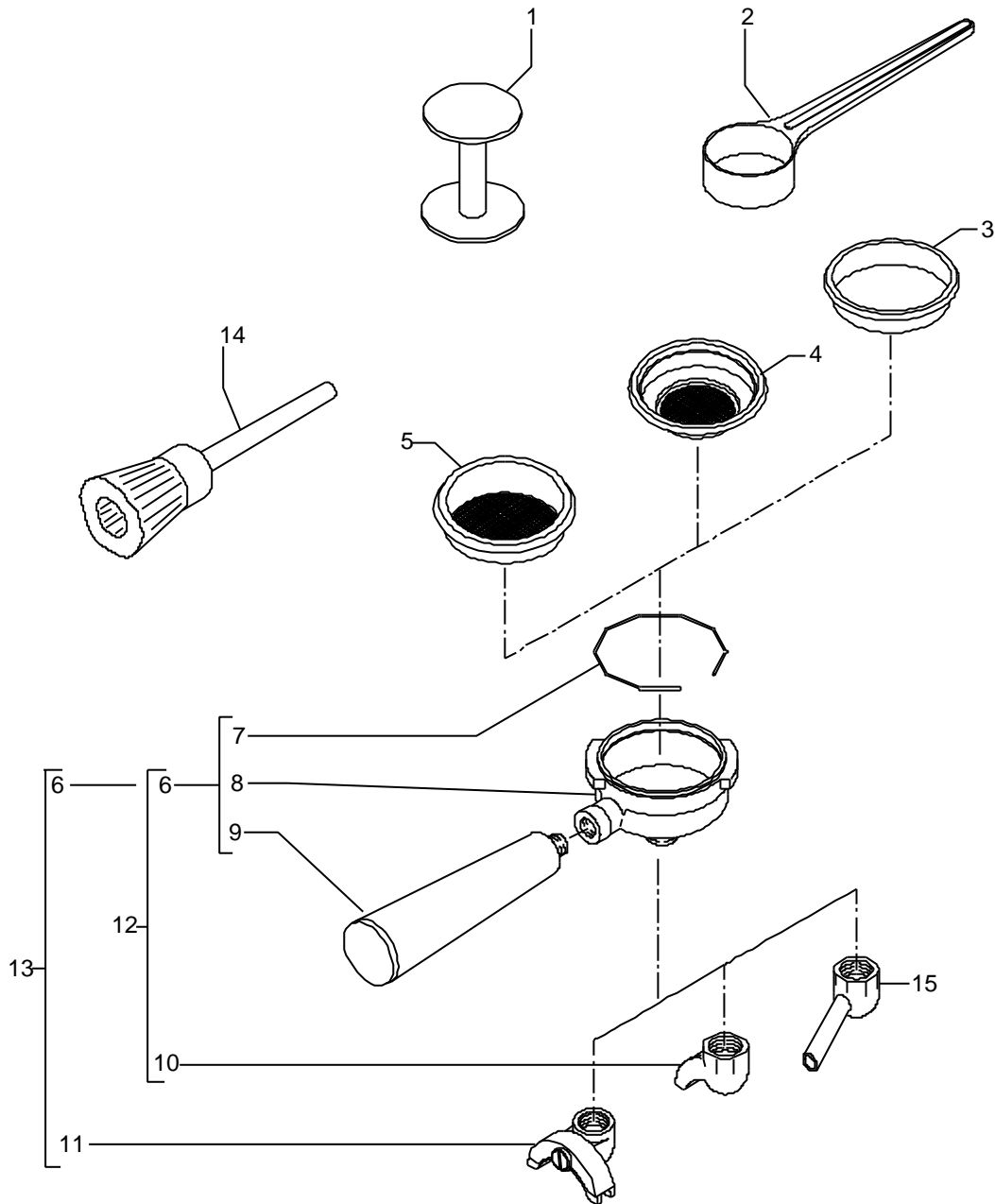




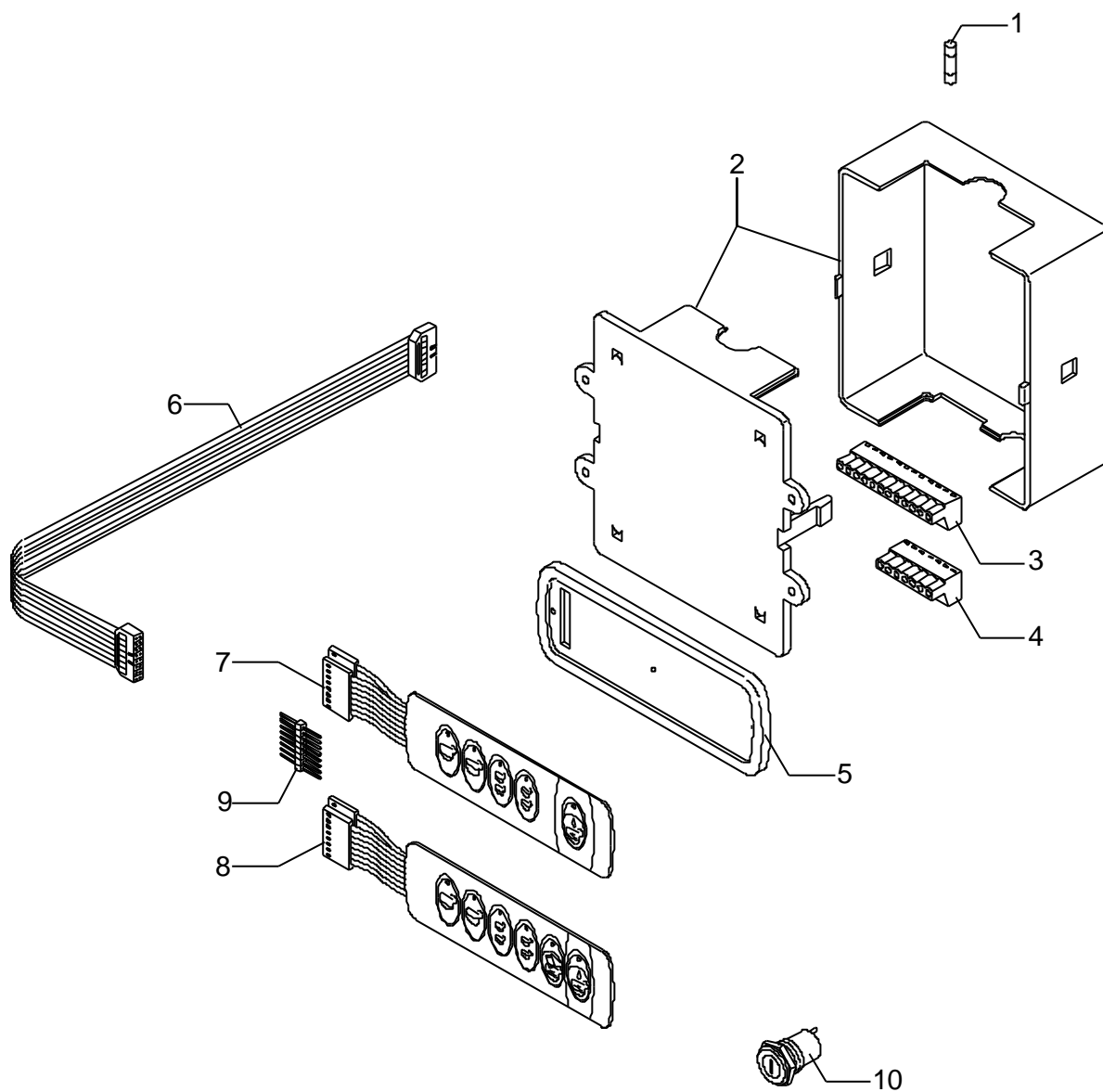
POS	DESCRIPTION	CODE	REFERENCE
01	SPRING D14 AISI 302	5471504	O/6 2500
02	TAP GASKET OR 112 EPDM 70SH	7496076	-
03	GASKET-HOLDER D14.7 X 10.5 OT	5224605	O/6 2502
04	GASKET D16X6X6 PTFE GRAPHITIZED	5494002	O/6 2503
05	RING NUT M18	5222801	O/1 1251G
06	COMPLETE HOSE STAINLESS STEEL	7479928	-
07	OR GASKET 115 EP856	7496073	-
10	ASSEMBLY COMPLETE STEAM HOSE	5966502.01	O/16 2541V



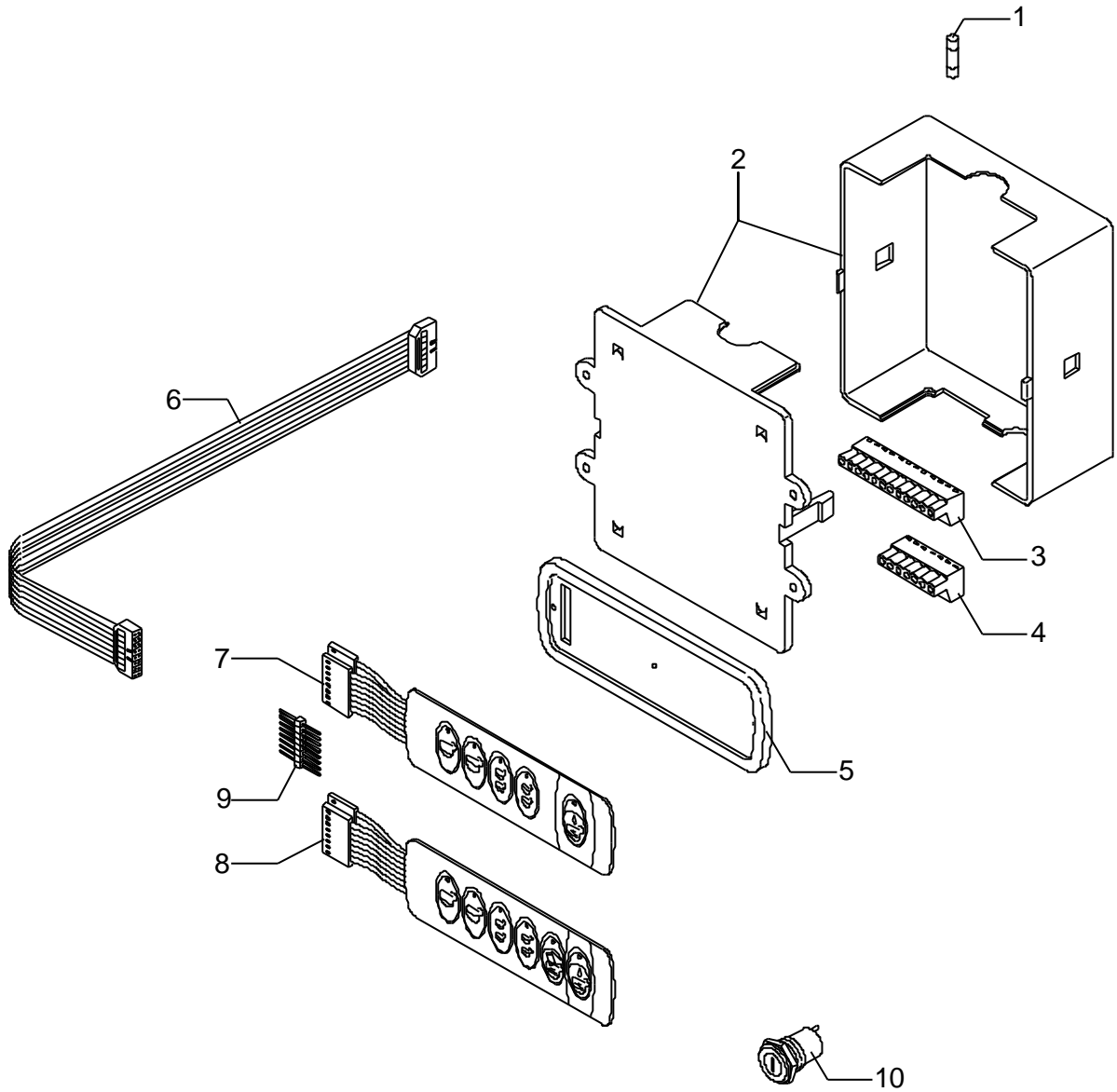
POS	DESCRIPTION	CODE	REFERENCE
01	COFFEE-PRESS ABS	5373001	H 862
02	MEASURER ABS	5372101	H 861
03	BLIND FILTER AISI 304	5471003	H 855
04	FILTER 1 CUP 5 GRAMS	5471010	H 874
04	FILTER 1 CUP 6 GRAMS	5471004	H 856
04	FILTER 1 CUP 8 GRAMS AISI 304	5471011	H 857
05	FILTER 2 CUPS 12 GRAMS AISI 304	5471005	H 867
05	FILTER 2 CUPS 14 GRAMS AISI 304	5471016	H 853
06	ASSEMBLY FILTER-HOLDER WITHOUT SPOUT BLUE	5965506	-
06	ASSEMBLY FILTER-HOLDER WITHOUT SPOUT GREY	5965505	-
07	SHAPED SPRING D1.4 AISI 302	5471507	H 817
08	FILTER-HOLDER D62	5286007.01CM	-
09	ASSEMBLY HANDLE ABS BLUE	5963016	H 880B
09	ASSEMBLY HANDLE ABS GREY	5963013	H 880G
10	SPOUT 1 WAY	7305006	-
11	SPOUT 2 WAY	7305007	-
12	ASSEMBLY FILTER-HOLDER 1 CUP BLUE	5965502	-
12	ASSEMBLY FILTER-HOLDER 1 CUP GREY	5965501	-
13	ASSEMBLY FILTER-HOLDER 2 CUPS BLUE	5965504	-
13	ASSEMBLY FILTER-HOLDER 2 CUPS GREY	5965503	-
14	CLEANING BRUSH	7990603	-
15	SPOUT 1 WAY	5479915CL	-



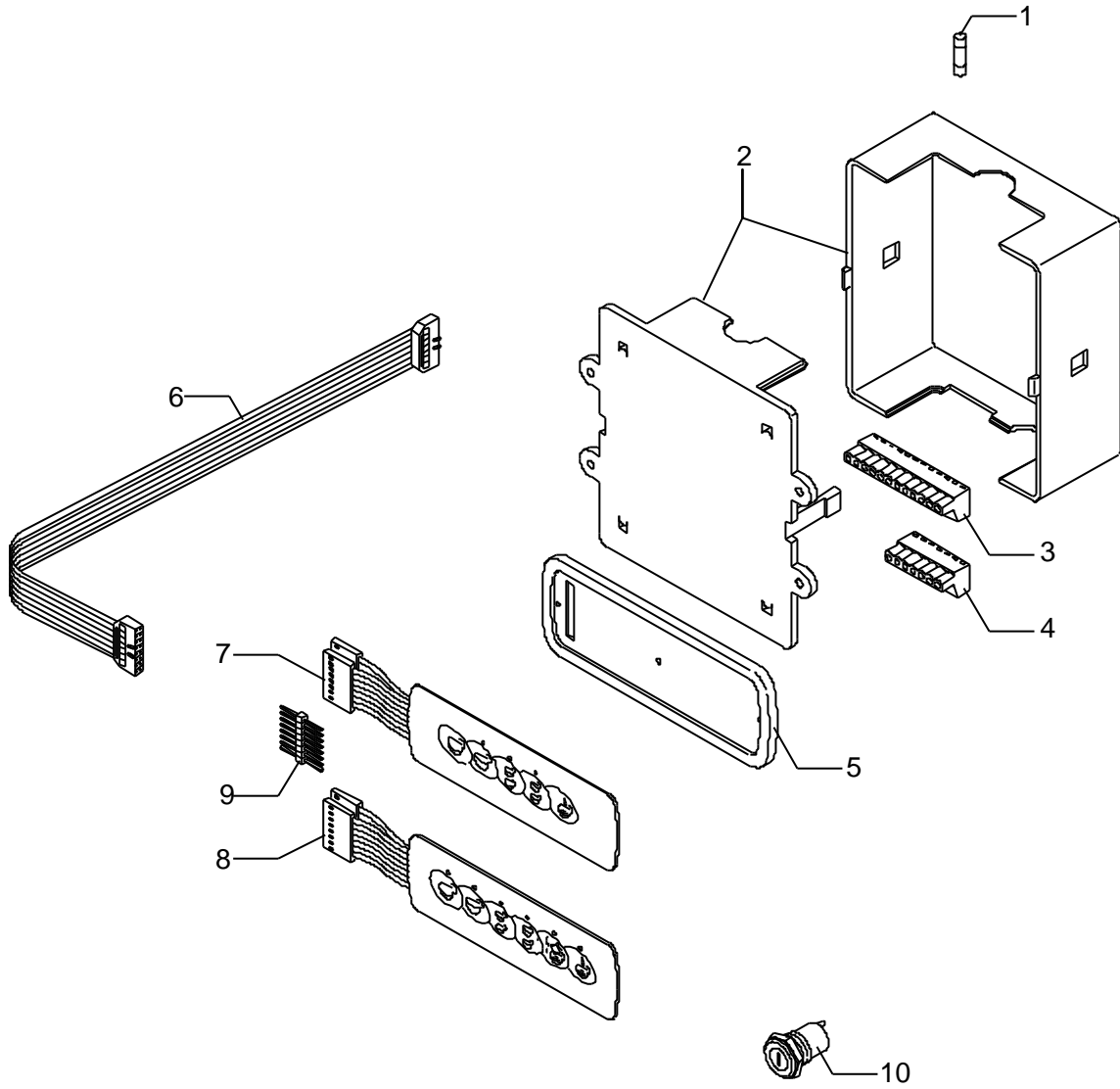
POS	DESCRIPTION	CODE	REFERENCE
01	FUSE 31,5A 220/240V	7632702	J 714/220
01	FUSE 6,3A 110/120V	7632701	J 714/110
02	ELECTRONIC DOSAGE DE 110/120V	7662701	-
02	ELECTRONIC DOSAGE DE 110/120V GM	7662701GM	-
02	ELECTRONIC DOSAGE DE 220/230V	7662702	-
02	ELECTRONIC DOSAGE DE 220/230V GM	7662702GM	-
02	ELECTRONIC DOSAGE DE 240V	7662703	-
02	ELECTRONIC DOSAGE DE 240V GM	7662703GM	-
02	ELECTRONIC DOSAGE DE 2GR 110/120V WITH FOAMER	7662704	-
02	ELECTRONIC DOSAGE DE 2GR 110/120V GM WITH FOAMER	7662704GM	-
02	ELECTRONIC DOSAGE DE 2GR 220/230V WITH FOAMER	7662705	-
02	ELECTRONIC DOSAGE DE 2GR 220/230V GM WITH FOAMER	7662705GM	-
02	ELECTRONIC DOSAGE DE 2GR 240V WITH FOAMER	7662706	-
02	ELECTRONIC DOSAGE DE 2GR 240V GM WITH FOAMER	7662706GM	-
02	ELECTRONIC DOSAGE DE+PROGRAMMING KEY 110/120V	7662707	-
02	ELECTRONIC DOSAGE DE+PROGRAMMING KEY GM 110/120V	7662707GM	-
02	ELECTRONIC DOSAGE DE+PROGRAMMING KEY 220/230V	7662708	-
02	ELECTRONIC DOSAGE DE+PROGRAMMING KEY GM 220/230V	7662708GM	-
02	ELECTRONIC DOSAGE DE+PROGRAMMING KEY 240V	7662709	-
02	ELECTRONIC DOSAGE DE+PROGRAMMING KEY GM 240V	7662709GM	-
03	ELECTRIC CONNECTOR 12 POLES	7631502	J 716
04	ELECTRIC CONNECTOR 7 POLES	7631501	J 866
05	MEMBRANE-HOLDER DE-TE ABS BLUE	5372702	KEY 127B
05	MEMBRANE-HOLDER DE-TE ABS GREY	5372701	KEY 114G
06	CONNECTING CABLE 8 POLES 1°/2° GR. 800MM	7663552	X/41 2474
06	CONNECTING CABLE 8 POLES 3°/4° GR. 1100MM	7663553	X/41 2475
07	MEMBRANE DE 5 PUSH BUTTON 130X40	5660502	J 851
08	MEMBRANE DE 6 PUSH BUTTON 130X40	5660501	J 850
08	MEMBRANE DE	5660520	-
09	STRIP-LINE 8 POLES	7636601	J 861
10	UNIVERSAL PROGRAMMING KEY	7661503	J 711U



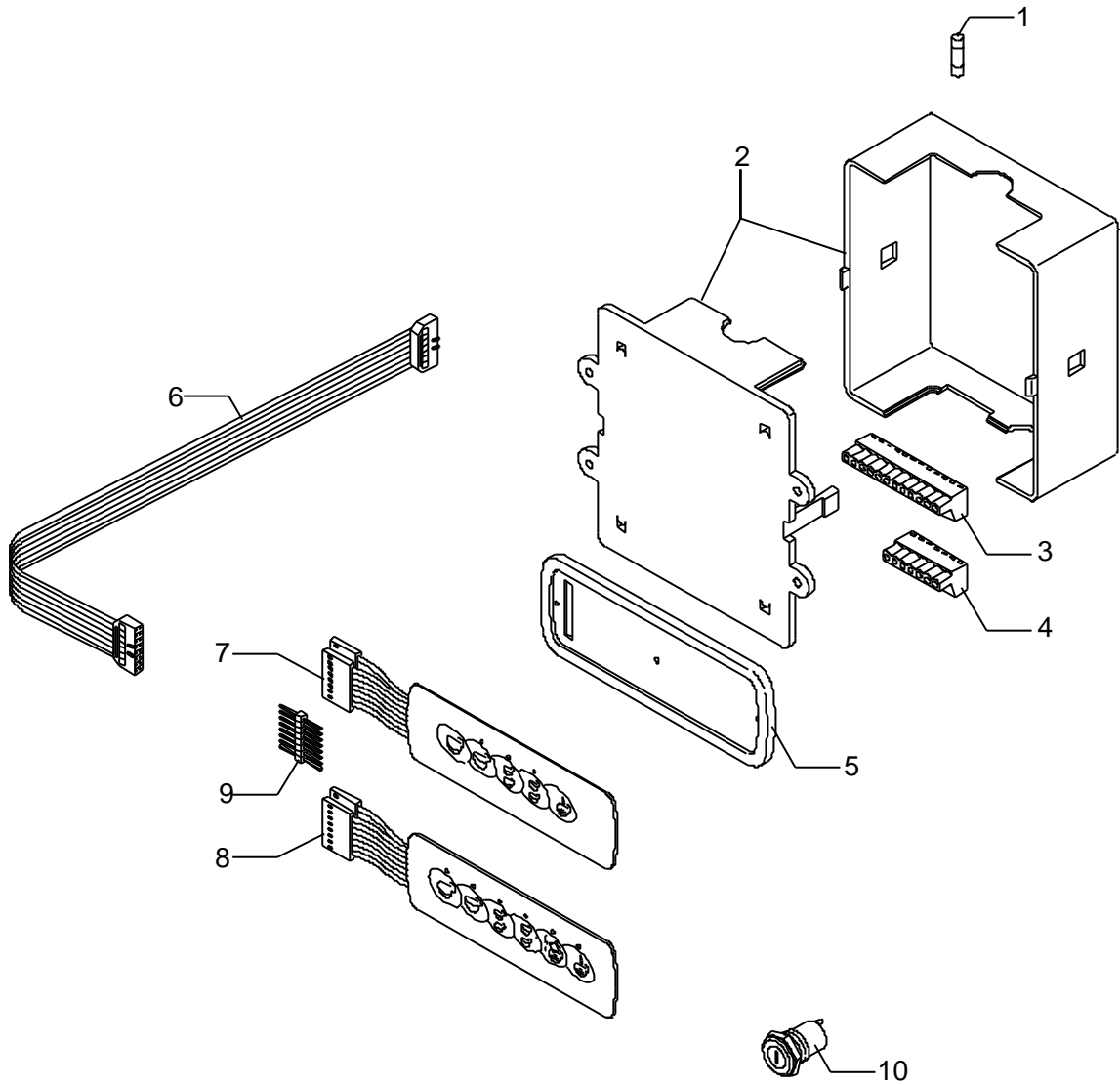
POS	DESCRIPTION	CODE	REFERENCE
01	FUSE 31,5A 220/240V	7632702	J 714/220
01	FUSE 6,3A 110/120V	7632701	J 714/110
02	ELECTRONIC DOSAGE DE 110/120V WITH MIXER	7662719	-
02	ELECTRONIC DOSAGE DE 110/120V GM WITH MIXER	7662719GM	-
02	ELECTRONIC DOSAGE DE 220/230V WITH MIXER	7662720	-
02	ELECTRONIC DOSAGE DE 220/230V GM WITH MIXER	7662720GM	-
02	ELECTRONIC DOSAGE DE 240V WITH MIXER	7662721	-
02	ELECTRONIC DOSAGE DE 240V GM WITH MIXER	7662721GM	-
02	ELECTRONIC DOSAGE DE 110/120V WITH FOAMER WITH MIXER	7662722	-
02	ELECTRONIC DOSAGE DE 110/120V GM WITH FOAMER WITH MIXER	7662722GM	-
02	ELECTRONIC DOSAGE DE 220/230V WITH FOAMER WITH MIXER	7662723	-
02	ELECTRONIC DOSAGE DE 220/230V GM WITH FOAMER WITH MIXER	7662723GM	-
02	ELECTRONIC DOSAGE DE 240V WITH FOAMER WITH MIXER	7662724	-
02	ELECTRONIC DOSAGE DE 240V GM WITH FOAMER WITH MIXER	7662724GM	-
02	ELECTRONIC DOSAGE DE+PROGRAMMING KEY 110/120V WITH MIXER	7662725	-
02	ELECTRONIC DOSAGE DE+PROGRAMMING KEY GM 110/120V WITH MIXER	7662725GM	-
02	ELECTRONIC DOSAGE DE+PROGRAMMING KEY 220/230V WITH MIXER	7662726	-
02	ELECTRONIC DOSAGE DE+PROGRAMMING KEY GM 220/230V WITH MIXER	7662726GM	-
02	ELECTRONIC DOSAGE DE+PROGRAMMING KEY 240V WITH MIXER	7662727	-
02	ELECTRONIC DOSAGE DE+PROGRAMMING KEY GM 240V WITH MIXER	7662727GM	-
03	ELECTRIC CONNECTOR 12 POLES	7631502	J 716
04	ELECTRIC CONNECTOR 7 POLES	7631501	J 866
05	MEMBRANE-HOLDER DE-TE ABS BLUE	5372702	KEY 127B
05	MEMBRANE-HOLDER DE-TE ABS GREY	5372701	KEY 114G
06	CONNECTING CABLE 8 POLES 1°/2° GR. 800MM	7663552	X/41 2474
06	CONNECTING CABLE 8 POLES 3°/4° GR. 1100MM	7663553	X/41 2475
07	MEMBRANE DE 5 PUSH BUTTON 130X40	5660502	J 851
08	MEMBRANE DE 6 PUSH BUTTON 130X40	5660501	J 850
08	MEMBRANE DE	5660520	-
09	STRIP-LINE 8 POLES	7636601	J 861
10	UNIVERSAL PROGRAMMING KEY	7661503	J 711U



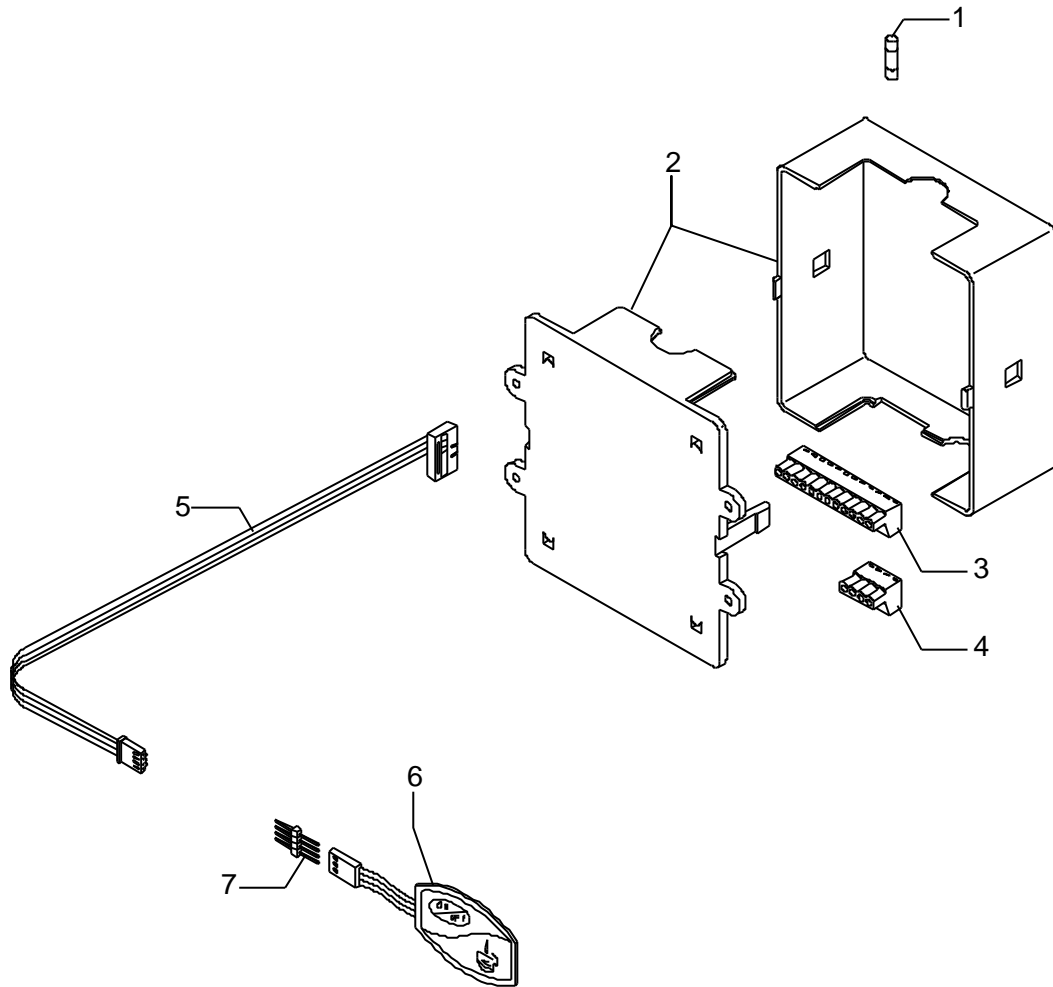
POS	DESCRIPTION	CODE	REFERENCE
01	FUSE 31,5A 220/240V	7632702	J 714/220
01	FUSE 6,3A 110/120V	7632701	J 714/110
02	TIMED DOSAGE TE 110/120V	7662710	-
02	TIMED DOSAGE TE 110/120V GM	7662710GM	-
02	TIMED DOSAGE TE 220/230V	7662711	-
02	TIMED DOSAGE TE 220/230V GM	7662711GM	-
02	TIMED DOSAGE TE 240V	7662712	-
02	TIMED DOSAGE TE 240V GM	7662712GM	-
02	ELECTRONIC DOSAGE TE+PROGRAMMING KEY 110/120V	7662713	-
02	ELECTRONIC DOSAGE TE+PROGRAMMING KEY GM 110/120V	7662713GM	-
02	ELECTRONIC DOSAGE TE+PROGRAMMING KEY 220/230V	7662714	-
02	ELECTRONIC DOSAGE TE+PROGRAMMING KEY GM 220/230V	7662714GM	-
02	ELECTRONIC DOSAGE TE+PROGRAMMING KEY 240V	7662715	-
02	ELECTRONIC DOSAGE TE+PROGRAMMING KEY GM 240V	7662715GM	-
03	ELECTRIC CONNECTOR 12 POLES	7631502	J 716
04	ELECTRIC CONNECTOR 4 POLES	7631503	J 715
05	MEMBRANE-HOLDER DE-TE ABS BLUE	5372702	KEY 127B
05	MEMBRANE-HOLDER DE-TE ABS GREY	5372701	KEY 114G
06	CONNECTING CABLE 8 POLES 1°/2° GR. 800MM	7663552	X/41 2474
06	CONNECTING CABLE 8 POLES 3°/4° GR. 1100MM	7663553	X/41 2475
07	MEMBRANE TE 5 PUSH BUTTON 130X40	5660504	J 853
08	MEMBRANE TE 6 PUSH BUTTON 130X40	5660503	J 852
09	STRIP-LINE 8 POLES	7636601	J 861
10	UNIVERSAL PROGRAMMING KEY	7661503	J 711U



POS	DESCRIPTION	CODE	REFERENCE
01	FUSE 31,5A 220/240V	7632702	J 714/220
01	FUSE 6,3A 110/120V	7632701	J 714/110
02	TIMED DOSAGE TE 110/120V WITH MIXER	7662728	
02	TIMED DOSAGE TE 110/120V GM WITH MIXER	7662728GM	-
02	TIMED DOSAGE TE 220/230V WITH MIXER	7662729	-
02	TIMED DOSAGE TE 220/230V GM WITH MIXER	7662729GM	-
02	TIMED DOSAGE TE 240V WITH MIXER	7662730	-
02	TIMED DOSAGE TE 240V GM WITH MIXER	7662730GM	-
02	ELECTRONIC DOSAGE TE+PROGRAMMING KEY 110/120V WITH MIXER	7662731	-
02	ELECTRONIC DOSAGE TE+PROGRAMMING KEY GM 110/120V WITH MIXER	7662731GM	-
02	ELECTRONIC DOSAGE TE+PROGRAMMING KEY 220/230V WITH MIXER	7662732	-
02	ELECTRONIC DOSAGE TE+PROGRAMMING KEY GM 220/230V WITH MIXER	7662732GM	-
02	ELECTRONIC DOSAGE TE+PROGRAMMING KEY 240V WITH MIXER	7662733	-
02	ELECTRONIC DOSAGE TE+PROGRAMMING KEY GM 240V WITH MIXER	7662733GM	-
03	ELECTRIC CONNECTOR 12 POLES	7631502	J 716
04	ELECTRIC CONNECTOR 4 POLES	7631503	J 715
05	MEMBRANE-HOLDER DE-TE ABS BLUE	5372702	KEY 127B
05	MEMBRANE-HOLDER DE-TE ABS GREY	5372701	KEY 114G
06	CONNECTING CABLE 8 POLES 1°/2° GR. 800MM	7663552	X/41 2474
06	CONNECTING CABLE 8 POLES 3°/4° GR. 1100MM	7663553	X/41 2475
07	MEMBRANE TE 5 PUSH BUTTON 130X40	5660504	J 853
08	MEMBRANE TE 6 PUSH BUTTON 130X40	5660503	J 852
09	STRIP-LINE 8 POLES	7636601	J 861
10	UNIVERSAL PROGRAMMING KEY	7661503	J 711U

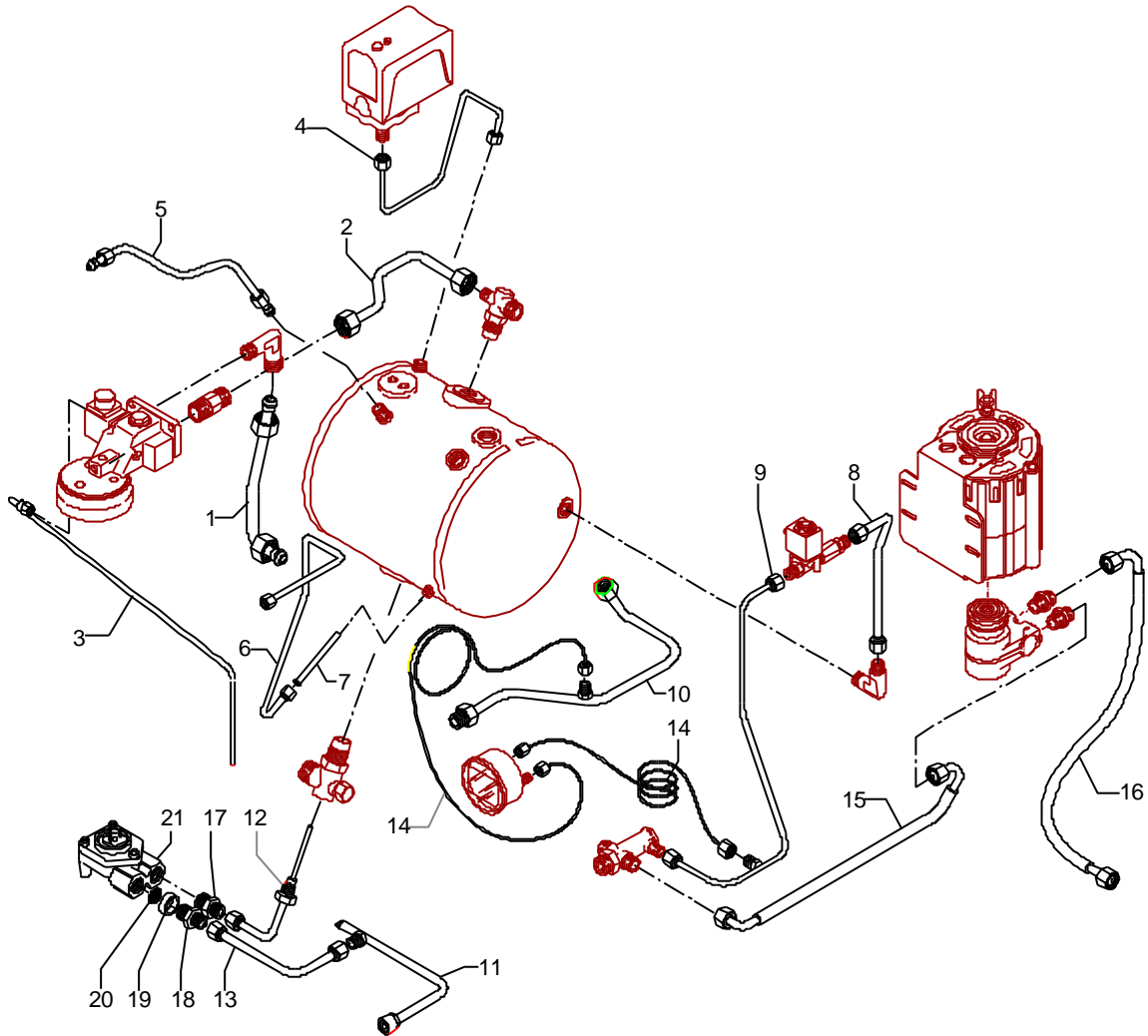


POS	DESCRIPTION	CODE	REFERENCE
01	FUSE 31,5A 220/240V	7632702	J 714/220
01	FUSE 6,3A 110/120V	7632701	J 714/110
02	ELECTRONIC DOSAGE 110/120V	7662716	-
02	ELECTRONIC DOSAGE 110/120V GM	7662716GM	-
02	ELECTRONIC DOSAGE 220/230V	7662717	-
02	ELECTRONIC DOSAGE 220/230V GM	7662717GM	-
02	ELECTRONIC DOSAGE 240V	7662718	-
02	ELECTRONIC DOSAGE 240V GM	7662718GM	-
03	ELECTRIC CONNECTOR 12 POLES	7631502	J 716
04	ELECTRIC CONNECTOR 4 POLES	7631503	J 715
05	CONNECTING CABLE 4 POLES 1°/2° GROUP L=800MM	7663568	-
05	CONNECTING CABLE 4 POLES 3°/4° GROUP L=1100MM	7663569	-
06	MEMBRANE P 60X40	5660505	J 854
07	STRIP-LINE 4 POLES	7636602	J 867



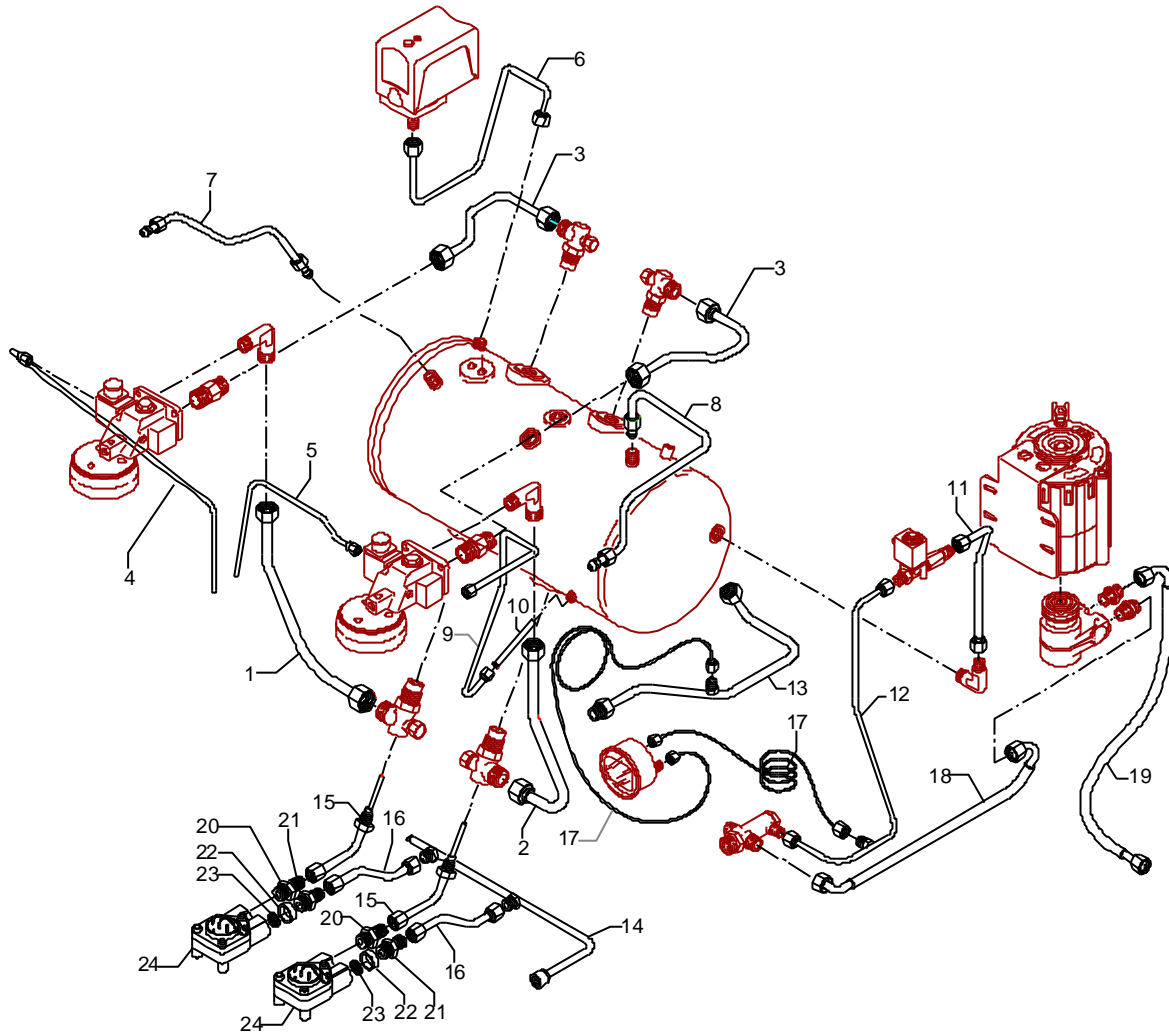


POS	DESCRIPTION	CODE	REFERENCE
01	BOTTOM EXCHANGER HOSE 1GR	5165001LL	-
02	UPPER EXCHANGER HOSE 1GR	5165008LL	-
03	SOLENOID VALVE DRAIN HOSE 1GR	5162028LL	-
04	COMPLETE HOSE FOR PRESSOSTAT	5162001LL	06.16.00.718
05	COMPLETE LEFT STEAM TAP HOSE 1GR	5163001LL	-
06	COMPLETE WATER TAP HOSE 2-3GR	5163005LL	-
07	WATER SAUCTION HOSE D6X1 L=80	5192307LL	-
08	COMPLETE CHECK VALVE HOSE	5163007LL	-
09	INLET AUTOMATIC LEVEL HOSE	5162218LL	-
10	COMPLETE BOILER DRAIN HOSE	5164001.01LL	-
11	MANIFOLD HOSE 1GR	5163206LL	-
12	INJECTOR PIPE	5966538	-
13	FLOW METER HOSE	5162240LL	-
14	PRESSURE GAUGE CAPILLARY	7400901	-
15	FLEXIBLE HOSE 3/8"FFC L=600MM	7200507	-
16	FLEXIBLE HOSE 3/8" L=1500 AISI 304	7200504	F 1489
17	STRAIGHT FITTING 1/4"G X M13 OT	5302001	F 895
18	STRAIGHT FITTING M12 X 1/4"G H24 OT	5302009	F 1031
19	SPACER D11X8X6.5 PTFE	5191501	J 621
20	NET FILTER D11 AISI 304	5471001	J 678
21	FLOW METER + AUT. WITH LED	7431001	X/22 2365



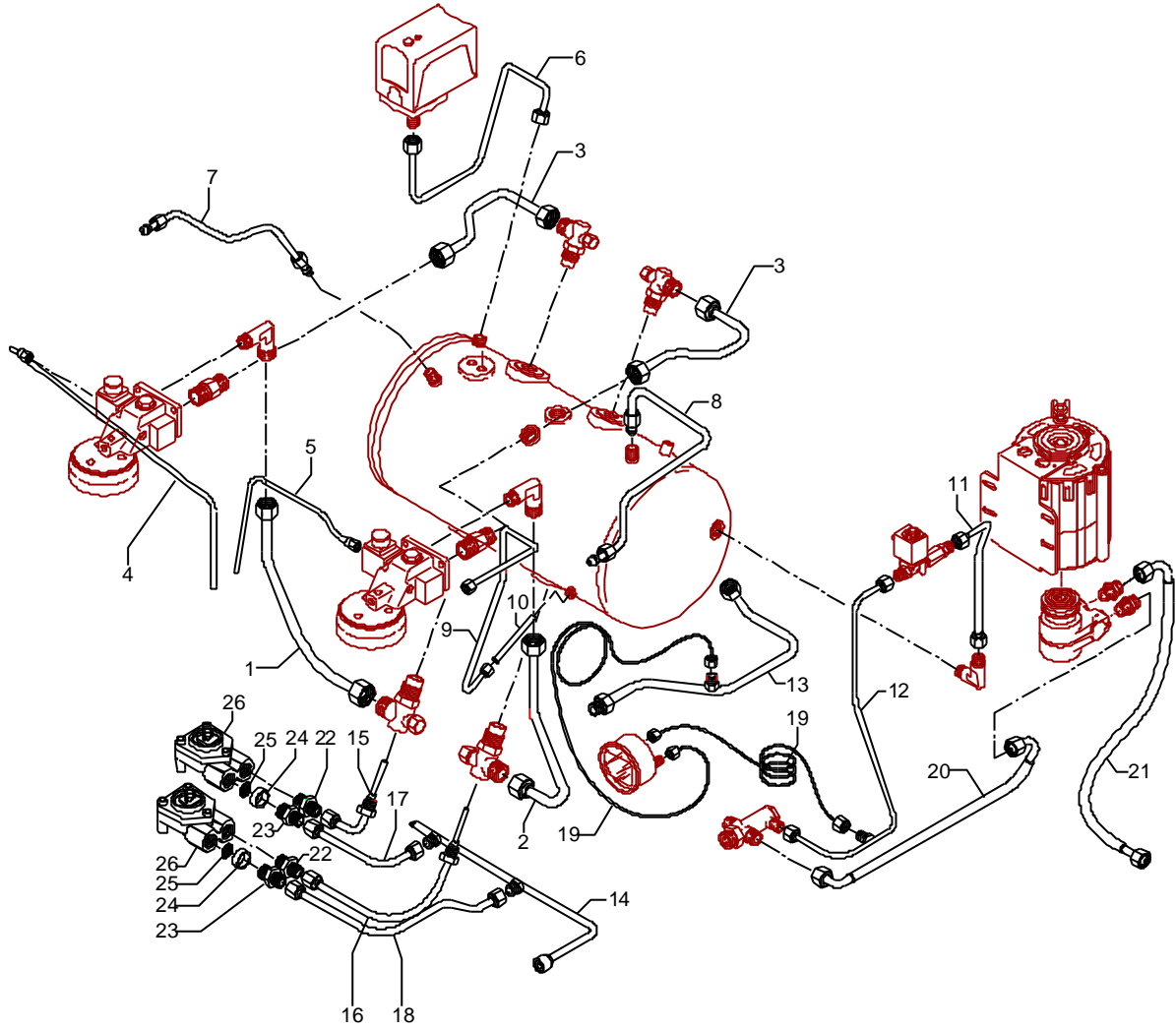


POS	DESCRIPTION	CODE	REFERENCE
01	BOTTOM EXCHANGER HOSE 1ST GROUP (2-3-4GR)	5165002LL	-
02	BOTTOM EXCHANGER HOSE 2ND GR.	5165033LL	-
03	UPPER EXCHANGER HOSE 1ST GROUP (2-3-4GR)	5165009LL	-
04	SOLENOID VALVE DRAIN HOSE 1ST GROUP (2GR) -2ND GROUP (4GR)	5162030LL	-
05	SOLENOID VALVE DRAIN HOSE 2ND GROUP (2GR) 3RD GROUP (4GR)	5162031LL	-
06	COMPLETE HOSE FOR PRESSOSTAT	5162001LL	06.16.00.718
07	COMPLETE LEFT STEAM TAP HOSE 2GR	5163002LL	-
08	COMPLETE RIGHT STEAM TAP HOSE 2-3-4GR	5163004LL	06.16.00.731
09	COMPLETE WATER TAP HOSE 2-3GR	5163005LL	-
10	WATER SAUCTION HOSE D6X1 L=80	5192307LL	-
11	COMPLETE CHECK VALVE HOSE	5163007LL	-
12	INLET AUTOMATIC LEVEL HOSE	5162218LL	-
13	COMPLETE BOILER DRAIN HOSE	5164001.01LL	--
14	MANIFOLD HOSE 2GR	5163187LL	-
15	INJECTOR PIPE	5966539	-
16	FLOW METER HOSE	5162241LL	-
17	PRESSURE GAUGE CAPILLARY	7400901	-
18	FLEXIBLE HOSE 3/8"FFC L=600MM	7200507	-
19	FLEXIBLE HOSE 3/8" L=1500 AISI 304	7200504	F 1489
20	STRAIGHT FITTING 1/4"G X M13 OT	5302001	F 895
21	STRAIGHT FITTING M12 X 1/4"G H24 OT	5302009	F 1031
22	SPACER D11X8X6.5 PTFE	5191501	J 621
23	NET FILTER D11 AISI 304	5471001	J 678
24	FLOW METER + AUT. WITH LED	7431001	X/22 2365



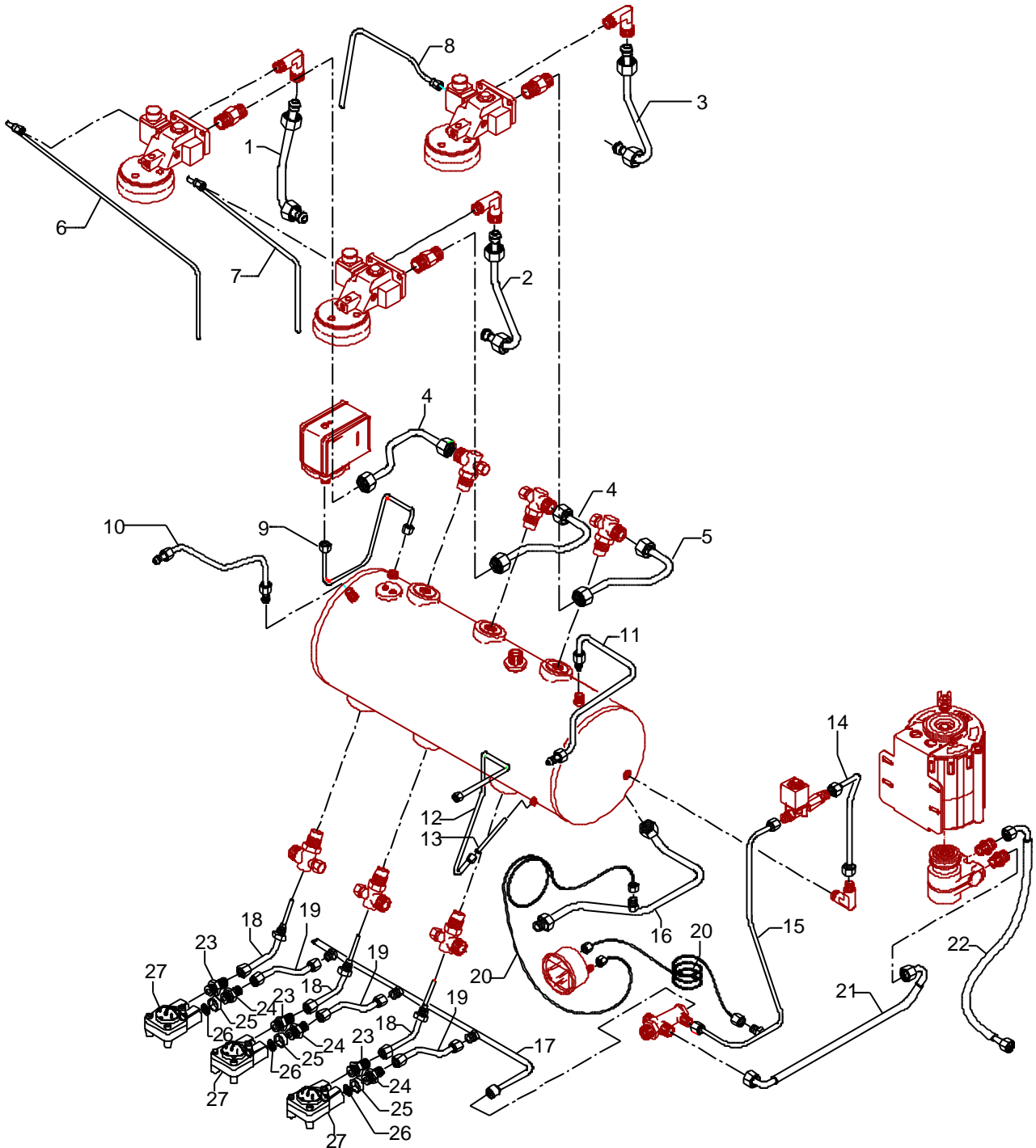


POS	DESCRIPTION	CODE	REFERENCE
01	BOTTOM EXCHANGER HOSE 1ST GROUP (2-3-4GR)	5165002LL	-
02	BOTTOM EXCHANGER HOSE 2ND GR.	5165033LL	-
03	UPPER EXCHANGER HOSE 1ST GROUP (2-3-4GR)	5165009LL	-
04	SOLENOID VALVE DRAIN HOSE 1ST GROUP (2GR) -2ND GROUP (4GR)	5162030LL	-
05	SOLENOID VALVE DRAIN HOSE 2ND GROUP (2GR) 3RD GROUP (4GR)	5162031LL	-
06	COMPLETE HOSE FOR PRESSOSTAT	5162001LL	06.16.00.718
07	COMPLETE LEFT STEAM TAP HOSE 2GR	5163002LL	-
08	COMPLETE RIGHT STEAM TAP HOSE 2-3-4GR	5163004LL	06.16.00.731
09	COMPLETE WATER TAP HOSE 2-3GR	5163005LL	-
10	WATER SAUCTION HOSE D6X1 L=80	5192307LL	-
11	COMPLETE CHECK VALVE HOSE	5163007LL	-
12	INLET AUTOMATIC LEVEL HOSE	5162218LL	-
13	COMPLETE BOILER DRAIN HOSE	5164001.01LL	-
14	MANIFOLD HOSE 2GR	5163187LL	-
15	INJECTOR PIPE	5966538	-
16	INJECTOR PIPE	5966541	-
17	FLOW METER HOSE	5162240LL	-
18	FLOW METER HOSE	5162254LL	-
19	PRESSURE GAUGE CAPILLARY	7400901	-
20	FLEXIBLE HOSE 3/8"FFC L=600MM	7200507	-
21	FLEXIBLE HOSE 3/8" L=1500 AISI 304	7200504	F 1489
22	STRAIGHT FITTING 1/4"G X M13 OT	5302001	F 895
23	STRAIGHT FITTING M12 X 1/4"G H24 OT	5302009	F 1031
24	SPACER D11X8X6.5 PTFE	5191501	J 621
25	NET FILTER D11 AISI 304	5471001	J 678
26	FLOW METER + AUT. WITH LED	7431001	X/22 2365





POS	DESCRIPTION	CODE	REFERENCE
01	BOTTOM EXCHANGER HOSE 1ST GROUP (2-3-4GR)	5165002LL	-
02	BOTTOM EXCHANGER HOSE 2ND GR.	5165033LL	-
03	BOTTOM EXCHANGER HOSE 3RD GROUP (3GR)	5165004LL	-
04	UPPER EXCHANGER HOSE 1ST GROUP (2-3-4GR)	5165009LL	-
05	UPPER EXCHANGER HOSE 3RD GROUP	5165034LL	-
06	SOLENOID VALVE DRAIN HOSE 1ST GROUP (3GR)	5162034LL	-
07	SOLENOID VALVE DRAIN HOSE 2ND GROUP (3GR)	5162035LL	-
08	SOLENOID VALVE DRAIN HOSE 3RD GROUP (3GR)	5162036LL	-
09	COMPLETE HOSE FOR PRESSOSTAT	5162001LL	06.16.00.718
10	COMPLETE LEFT STEAM TAP HOSE 3-4GR	5163003LL	06.16.00.738
11	COMPLETE RIGHT STEAM TAP HOSE 2-3-4GR	5163004LL	06.16.00.731
12	COMPLETE WATER TAP HOSE 2-3GR	5163005LL	-
13	WATER SAUCTION HOSE D6X1 L=80	5192307LL	-
14	COMPLETE CHECK VALVE HOSE	5163007LL	-
15	INLET AUTOMATIC LEVEL HOSE	5162218LL	-
16	COMPLETE BOILER DRAIN HOSE	5164001.01LL	-
17	MANIFOLD HOSE 3GR	5163207LL	-
18	INJECTOR PIPE	5966539	-
19	FLOW METER HOSE	5162241LL	-
20	PRESSURE GAUGE CAPILLARY	7400901	-
21	FLEXIBLE HOSE 3/8" FFC L=600MM	7200507	-
22	FLEXIBLE HOSE 3/8" L=1500 AISI 304	7200504	F 1489
23	STRAIGHT FITTING 1/4"G X M13 OT	5302001	F 895
24	STRAIGHT FITTING M12 X 1/4"G H24 OT	5302009	F 1031
25	SPACER D11X8X6.5 PTFE	5191501	J 621
26	NET FILTER D11 AISI 304	5471001	J 678
27	FLOW METER + AUT. WITH LED	7431001	X/22 2365

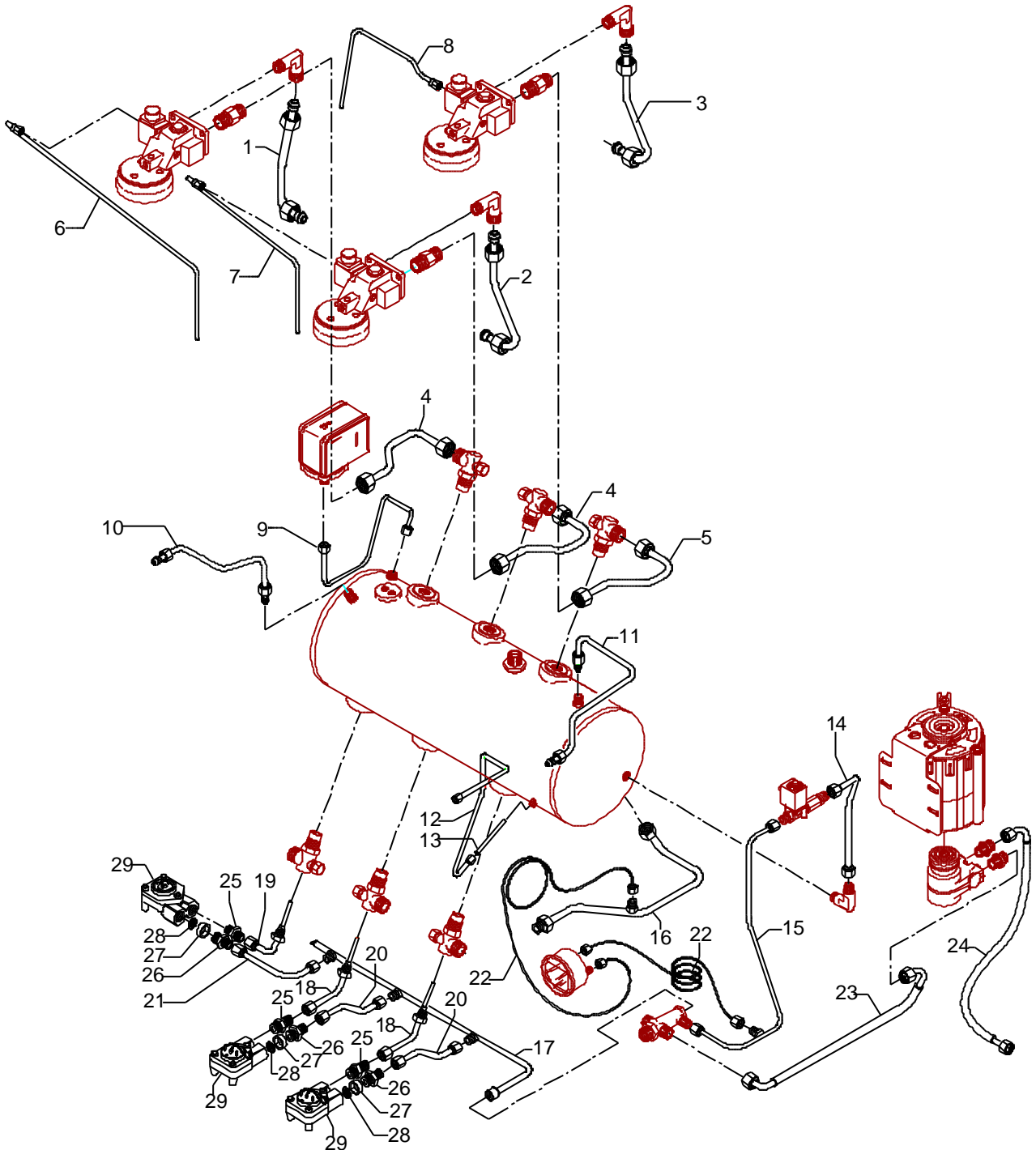




BEZZERA
dal 1901

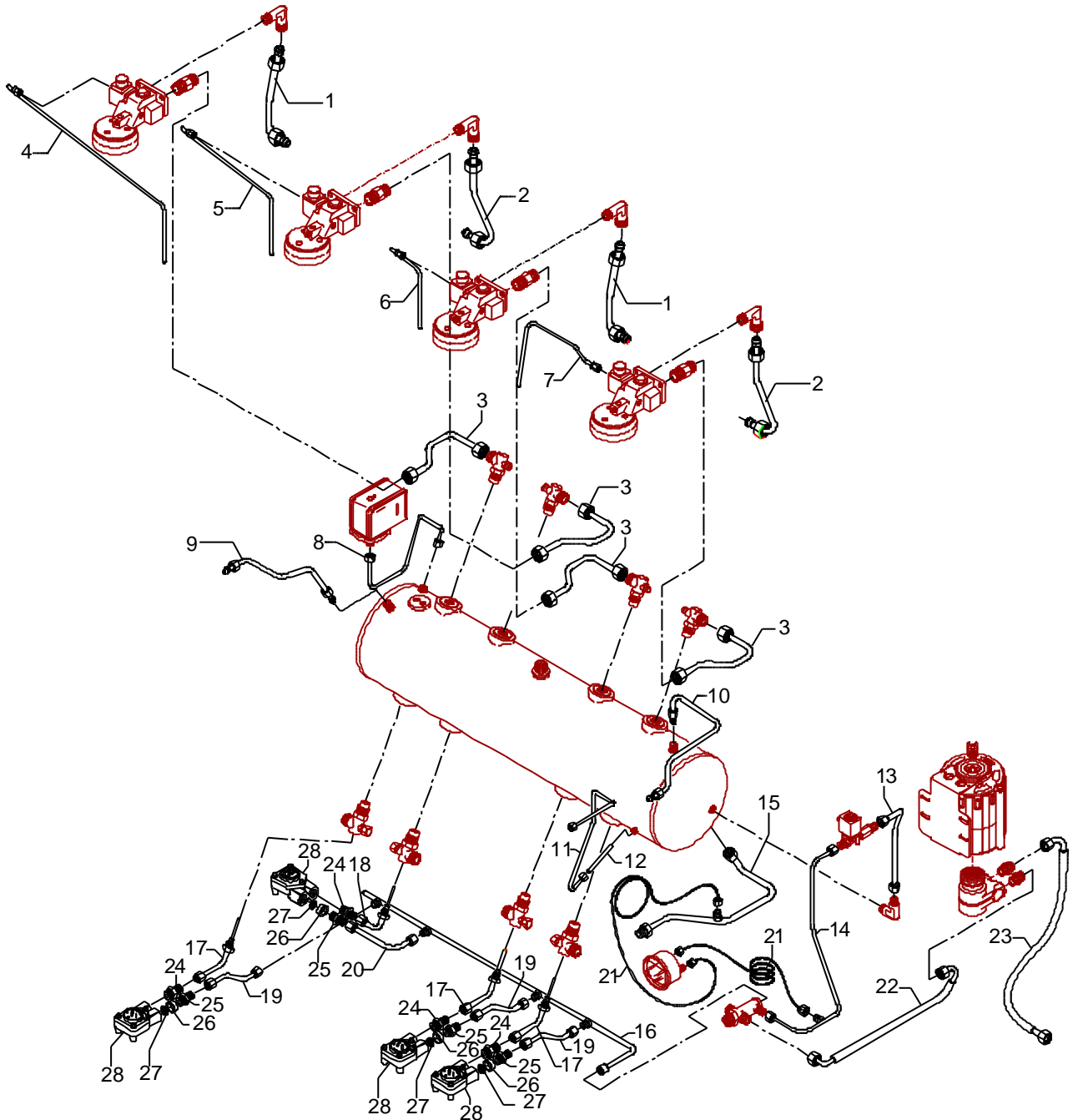
3 GR hose series + Gas

POS	DESCRIPTION	CODE	REFERENCE
01	BOTTOM EXCHANGER HOSE 1ST GROUP (2-3-4GR)	5165002LL	-
02	BOTTOM EXCHANGER HOSE 2ND GR.	5165033LL	-
03	BOTTOM EXCHANGER HOSE 3RD GROUP (3GR)	5165004LL	-
04	UPPER EXCHANGER HOSE 1ST GROUP (2-3-4GR)	5165009LL	-
05	UPPER EXCHANGER HOSE 3RD GROUP	5165034LL	-
06	SOLENOID VALVE DRAIN HOSE 1ST GROUP (3GR)	5162034LL	-
07	SOLENOID VALVE DRAIN HOSE 2ND GROUP (3GR)	5162035LL	-
08	SOLENOID VALVE DRAIN HOSE 3RD GROUP (3GR)	5162036LL	-
09	COMPLETE HOSE FOR PRESSOSTAT	5162001LL	06.16.00.718
10	COMPLETE LEFT STEAM TAP HOSE 3-4GR	5163003LL	06.16.00.738
11	COMPLETE RIGHT STEAM TAP HOSE 2-3-4GR	5163004LL	06.16.00.731
12	COMPLETE WATER TAP HOSE 2-3GR	5163005LL	-
13	WATER SAUCTION HOSE D6X1 L=80	5192307LL	-
14	COMPLETE CHECK VALVE HOSE	5163007LL	-
15	INLET AUTOMATIC LEVEL HOSE	5162218LL	-
16	COMPLETE BOILER DRAIN HOSE	5164001.01LL	-
17	MANIFOLD HOSE 3GR	5163207LL	-
18	INJECTOR PIPE	5966539	-
19	INJECTOR PIPE	5966538	-
20	FLOW METER HOSE	5162241LL	-
21	FLOW METER HOSE	5162240LL	-
22	PRESSURE GAUGE CAPILLARY	7400901	-
23	FLEXIBLE HOSE 3/8"FFC L=600MM	7200507	-
24	FLEXIBLE HOSE 3/8" L=1500 AISI 304	7200504	F 1489
25	STRAIGHT FITTING 1/4"G X M13 OT	5302001	F 895
26	STRAIGHT FITTING M12 X 1/4"G H24 OT	5302009	F 1031
27	SPACER D11X8X6.5 PTFE	5191501	J 621
28	NET FILTER D11 AISI 304	5471001	J 678
29	FLOW METER + AUT. WITH LED	7431001	X/22 2365



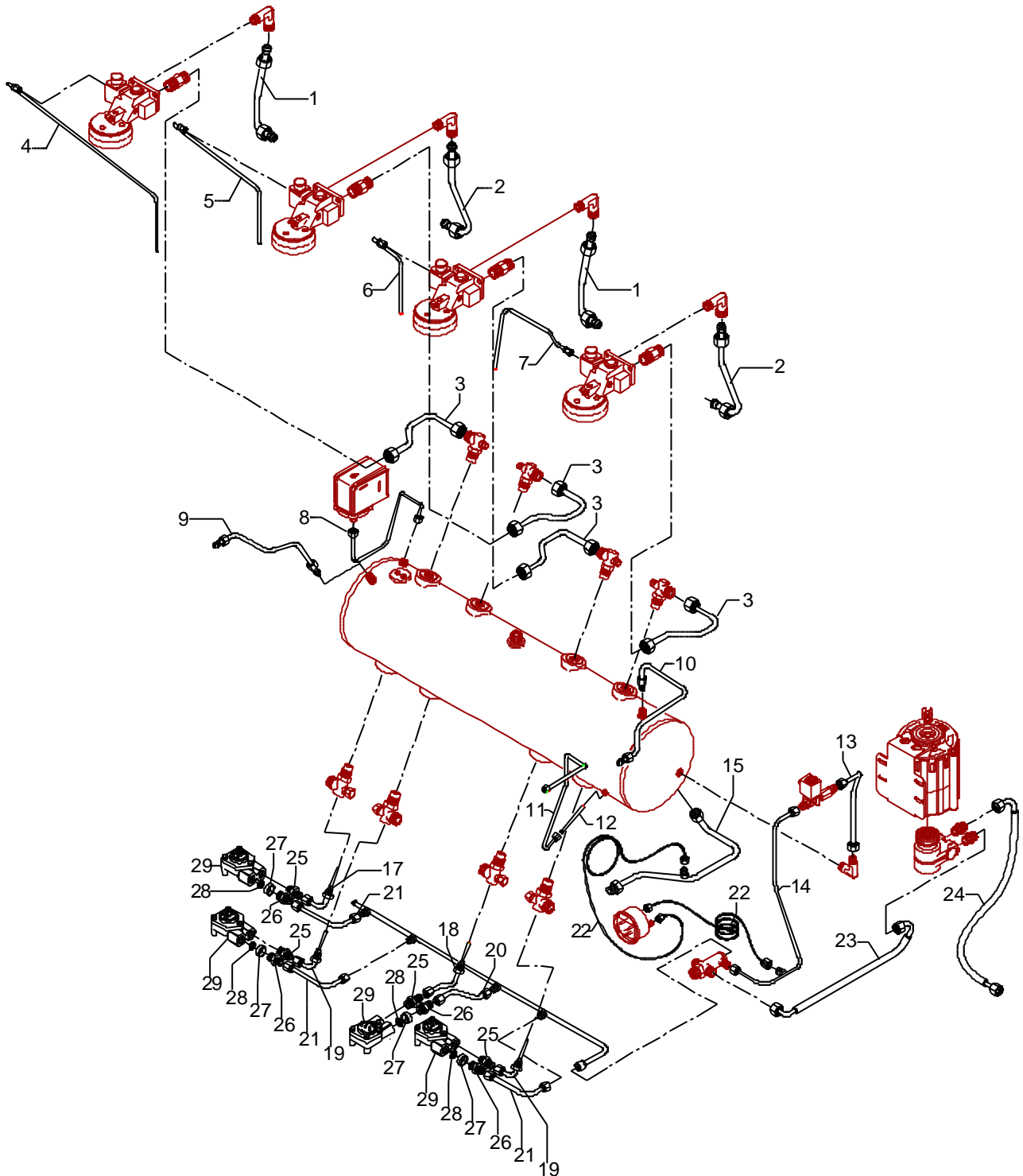


POS	DESCRIPTION	CODE	REFERENCE
01	BOTTOM EXCHANGER HOSE 1ST GROUP (2-3-4GR)	5165002LL	-
02	BOTTOM EXCHANGER HOSE 2ND GR.	5165033LL	-
03	UPPER EXCHANGER HOSE 1ST GROUP (2-3-4GR)	5165009LL	-
04	SOLENOID VALVE DRAIN HOSE 1ST GR (4GR)	5162148LL	06.16.00.820
05	SOLENOID VALVE DRAIN HOSE 1ST GROUP (2GR) -2ND GROUP (4GR)	5162030LL	-
06	SOLENOID VALVE DRAIN HOSE 2ND GROUP (2GR) 3RD GROUP (4GR)	5162031LL	-
07	SOLENOID VALVE DRAIN HOSE 4TH GR	5162147LL	06.16.00.822
08	COMPLETE HOSE FOR PRESSOSTAT	5162001LL	06.16.00.718
09	COMPLETE LEFT STEAM TAP HOSE 3-4GR	5163003LL	06.16.00.738
10	COMPLETE RIGHT STEAM TAP HOSE 2-3-4GR	5163004LL	06.16.00.731
11	COMPLETE WATER TAP HOSE 2-3GR	5163005LL	-
12	WATER SAUCTION HOSE D6X1 L=80	5192307LL	-
13	COMPLETE CHECK VALVE HOSE	5163007LL	-
14	INLET AUTOMATIC LEVEL HOSE	5162218LL	-
15	COMPLETE BOILER DRAIN HOSE	5164001.01LL	-
16	MANIFOLD HOSE 4GR	5163208LL	-
17	INJECTOR PIPE	5966539	-
18	INJECTOR PIPE	5966542	-
19	FLOW METER HOSE	5162241LL	-
20	FLOW METER HOSE	5162240LL	-
21	PRESSURE GAUGE CAPILLARY	7400901	-
22	FLEXIBLE HOSE 3/8"FFC L=600MM	7200507	-
23	FLEXIBLE HOSE 3/8" L=1500 AISI 304	7200504	F 1489
24	STRAIGHT FITTING 1/4"G X M13 OT	5302001	F 895
25	STRAIGHT FITTING M12 X 1/4"G H24 OT	5302009	F 1031
26	SPACER D11X8X6.5 PTFE	5191501	J 621
27	NET FILTER D11 AISI 304	5471001	J 678
28	FLOW METER + AUT. WITH LED	7431001	X/22 2365





POS	DESCRIPTION	CODE	REFERENCE
01	BOTTOM EXCHANGER HOSE 1ST GROUP (2-3-4GR)	5165002LL	-
02	BOTTOM EXCHANGER HOSE 2ND GR.	5165033LL	-
03	UPPER EXCHANGER HOSE 1ST GROUP (2-3-4GR)	5165009LL	-
04	SOLENOID VALVE DRAIN HOSE 1ST GR (4GR)	5162148LL	06.16.00.820
05	SOLENOID VALVE DRAIN HOSE 1ST GROUP (2GR) -2ND GROUP (4GR)	5162030LL	-
06	SOLENOID VALVE DRAIN HOSE 2ND GROUP (2GR) 3RD GROUP (4GR)	5162031LL	-
07	SOLENOID VALVE DRAIN HOSE 4TH GR	5162147LL	06.16.00.822
08	COMPLETE HOSE FOR PRESSOSTAT	5162001LL	06.16.00.718
09	COMPLETE LEFT STEAM TAP HOSE 3-4GR	5163003LL	06.16.00.738
10	COMPLETE RIGHT STEAM TAP HOSE 2-3-4GR	5163004LL	06.16.00.731
11	COMPLETE WATER TAP HOSE 2-3GR	5163005LL	-
12	WATER SAUCTION HOSE D6X1 L=80	5192307LL	-
13	COMPLETE CHECK VALVE HOSE	5163007LL	-
14	INLET AUTOMATIC LEVEL HOSE	5162218LL	-
15	COMPLETE BOILER DRAIN HOSE	5164001.01LL	-
16	MANIFOLD HOSE 4GR	5163208LL	-
17	INJECTOR PIPE	5966538	-
18	INJECTOR PIPE	5966540	-
19	INJECTOR PIPE	5966542	-
20	FLOW METER HOSE	5162253LL	-
21	FLOW METER HOSE	5162240LL	-
22	PRESSURE GAUGE CAPILLARY	7400901	-
23	FLEXIBLE HOSE 3/8"FFC L=600MM	7200507	-
24	FLEXIBLE HOSE 3/8" L=1500 AISI 304	7200504	F 1489
25	STRAIGHT FITTING 1/4"G X M13 OT	5302001	F 895
26	STRAIGHT FITTING M12 X 1/4"G H24 OT	5302009	F 1031
27	SPACER D11X8X6.5 PTFE	5191501	J 621
28	NET FILTER D11 AISI 304	5471001	J 678
29	FLOW METER + AUT. WITH LED	7431001	X/22 2365

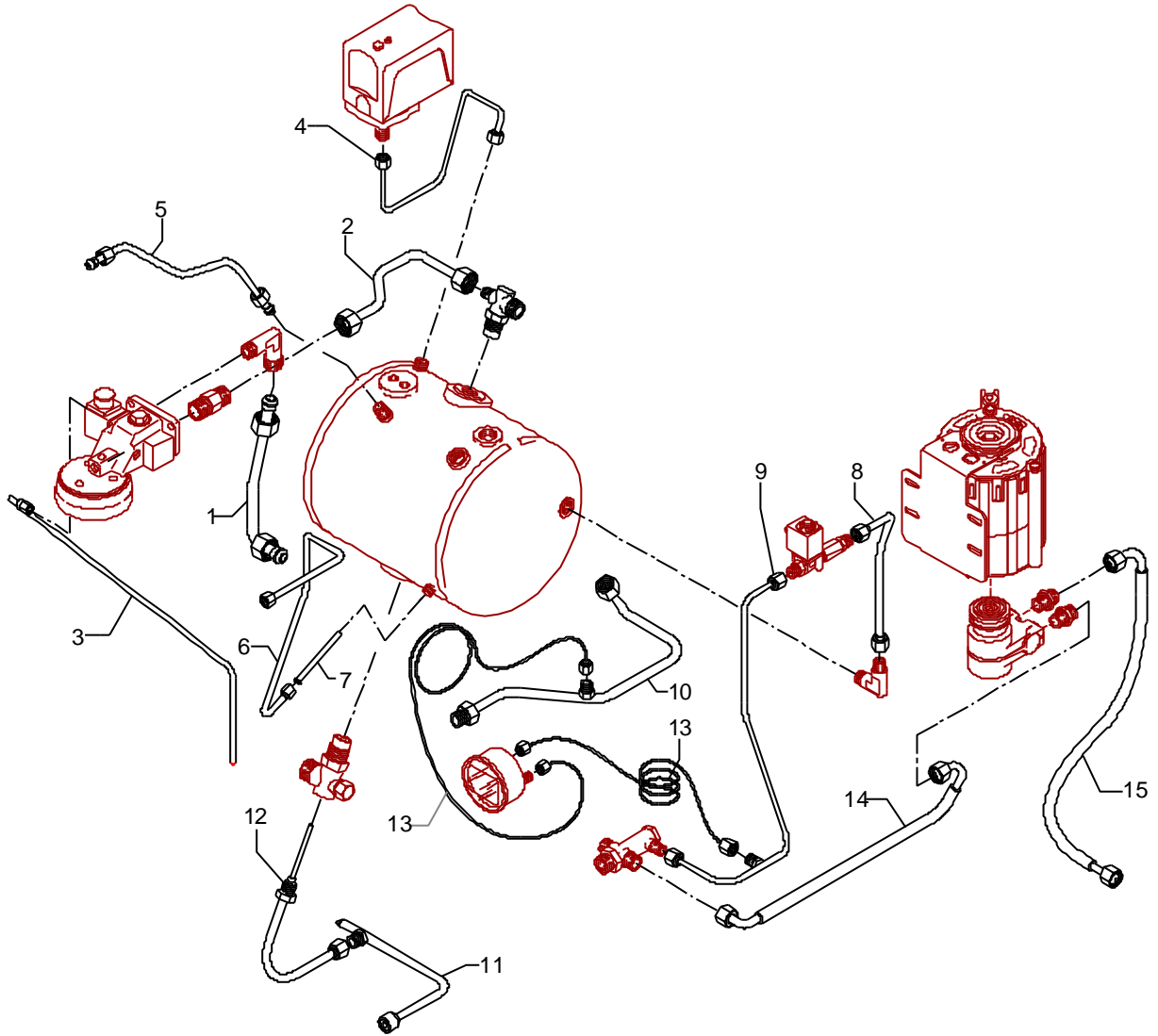




BEZZERA
dal 1901

1 GR hose series

POS	DESCRIPTION	CODE	REFERENCE
01	BOTTOM EXCHANGER HOSE 1GR	5165001LL	-
02	UPPER EXCHANGER HOSE 1GR	5165008LL	-
03	SOLENOID VALVE DRAIN HOSE 1GR	5162028LL	-
04	COMPLETE HOSE FOR PRESSOSTAT	5162001LL	06.16.00.718
05	COMPLETE LEFT STEAM TAP HOSE 1GR	5163001LL	-
06	COMPLETE WATER TAP HOSE 2-3GR	5163005LL	-
06	COMPLETE WATER TAP HOSE 1GR	5163013LL	-
07	WATER SAUCTION HOSE D6X1 L=80	5192307LL	-
08	COMPLETE CHECK VALVE HOSE	5163007LL	-
09	INLET AUTOMATIC LEVEL HOSE	5162218LL	-
10	COMPLETE BOILER DRAIN HOSE	5164001.01LL	-
11	MANIFOLD HOSE 1GR	5163206LL	-
12	ASSEMBLY EXCHANGER HOS	5966536	-
13	PRESSURE GAUGE CAPILLARY	7400901	-
14	FLEXIBLE HOSE 3/8"FFC L=600MM	7200507	-
15	FLEXIBLE HOSE 3/8" L=1500 AISI 304	7200504	F 1489

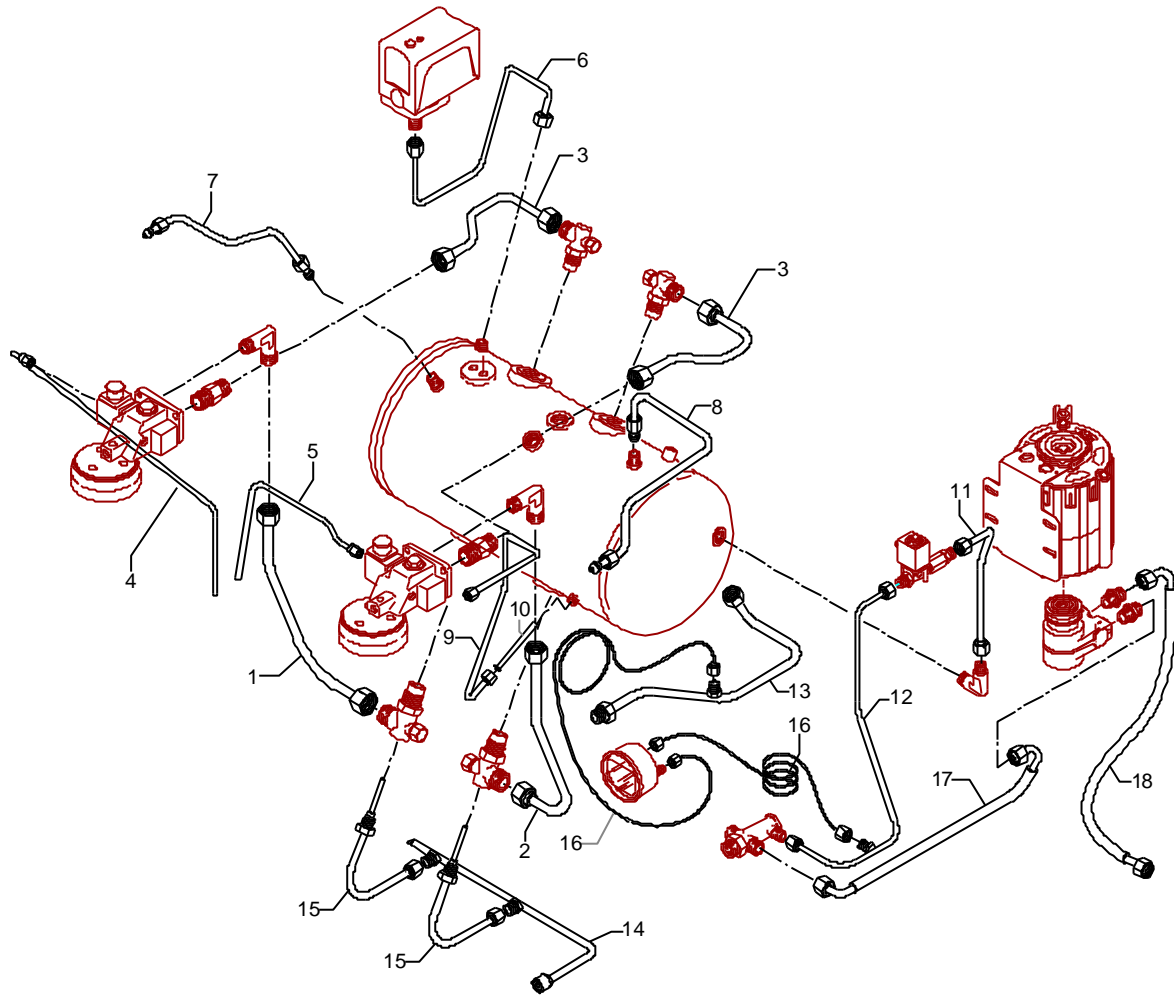




BEZZERA
dal 1901

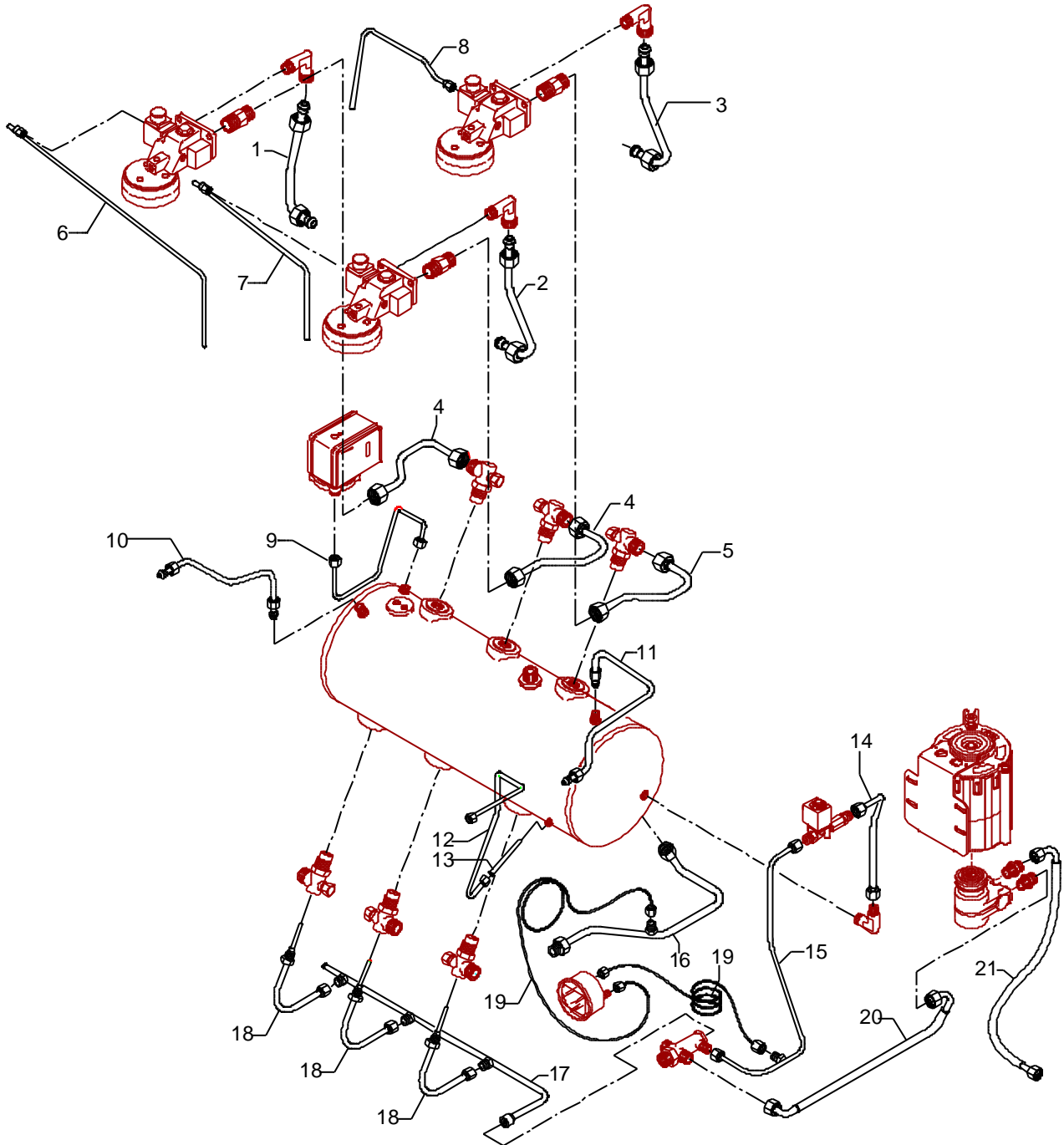
2 GR hose series

POS	DESCRIPTION	CODE	REFERENCE
01	BOTTOM EXCHANGER HOSE 1ST GROUP (2-3-4GR)	5165002LL	-
02	BOTTOM EXCHANGER HOSE 2ND GR.	5165033LL	-
03	UPPER EXCHANGER HOSE 1ST GROUP (2-3-4GR)	5165009LL	-
04	SOLENOID VALVE DRAIN HOSE 1ST GROUP (2GR) -2ND GROUP (4GR)	5162030LL	-
05	SOLENOID VALVE DRAIN HOSE 2ND GROUP (2GR) 3RD GROUP (4GR)	5162031LL	-
06	COMPLETE HOSE FOR PRESSOSTAT	5162001LL	06.16.00.718
07	COMPLETE LEFT STEAM TAP HOSE 2GR	5163002LL	-
08	COMPLETE RIGHT STEAM TAP HOSE 2-3-4GR	5163004LL	06.16.00.731
09	COMPLETE WATER TAP HOSE 2-3GR	5163005LL	-
10	WATER SAUCTION HOSE D6X1 L=80	5192307LL	-
11	COMPLETE CHECK VALVE HOSE	5163007LL	-
12	INLET AUTOMATIC LEVEL HOSE	5162218LL	-
13	COMPLETE BOILER DRAIN HOSE	5164001.01LL	-
14	MANIFOLD HOSE 2GR	5163187LL	-
15	ASSEMBLY EXCHANGER HOS	5966536	-
16	PRESSURE GAUGE CAPILLARY	7400901	-
17	FLEXIBLE HOSE 3/8"FFC L=600MM	7200507	-
18	FLEXIBLE HOSE 3/8" L=1500 AISI 304	7200504	F 1489



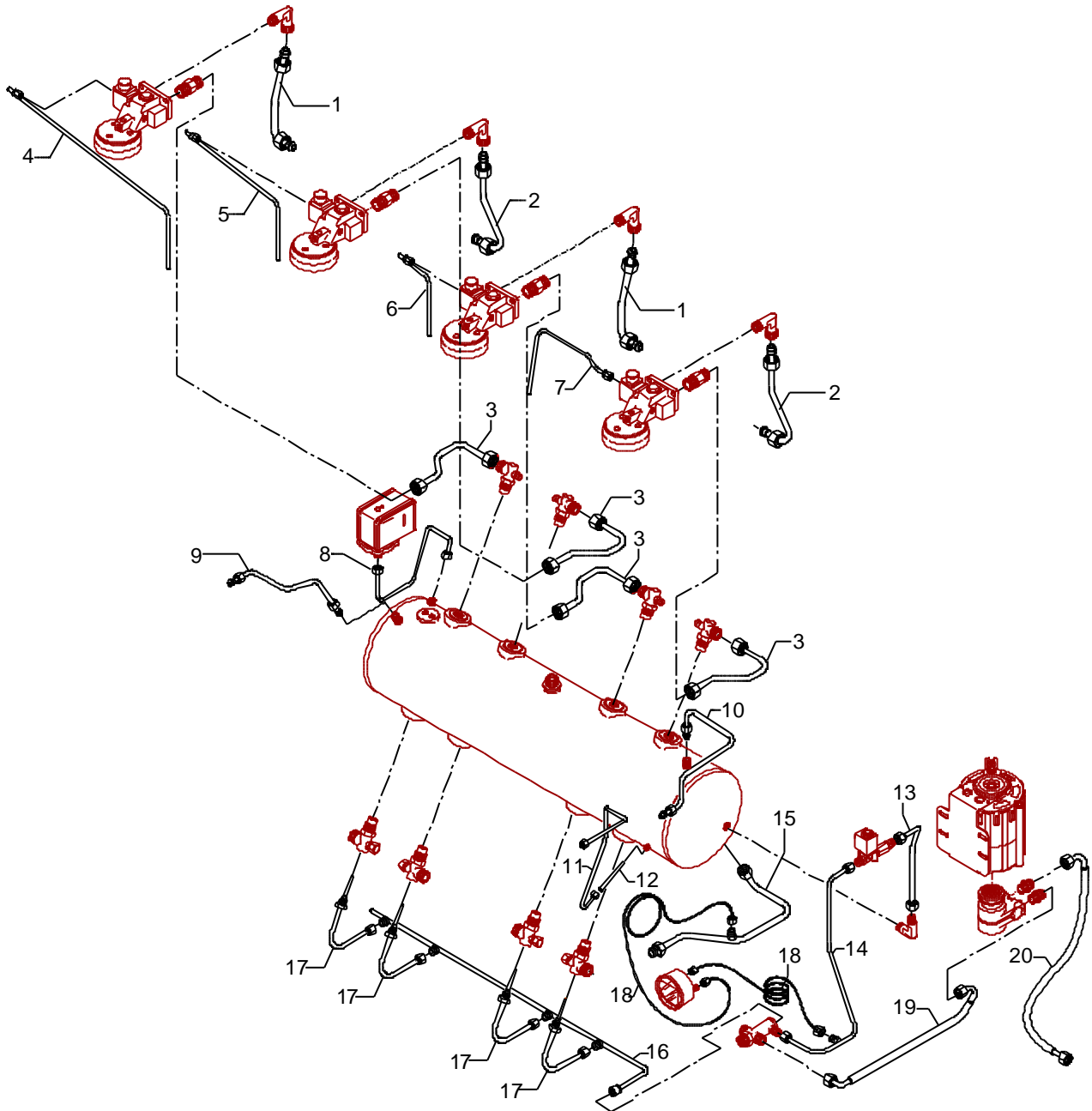


POS	DESCRIPTION	CODE	REFERENCE
01	BOTTOM EXCHANGER HOSE 1ST GROUP (2-3-4GR)	5165002LL	-
02	BOTTOM EXCHANGER HOSE 2ND GR.	5165033LL	-
03	BOTTOM EXCHANGER HOSE 3RD GROUP (3GR)	5165004LL	-
04	UPPER EXCHANGER HOSE 1ST GROUP (2-3-4GR)	5165009LL	-
05	UPPER EXCHANGER HOSE 3RD GROUP	5165034LL	-
06	SOLENOID VALVE DRAIN HOSE 1ST GROUP (3GR)	5162034LL	-
07	SOLENOID VALVE DRAIN HOSE 2ND GROUP (3GR)	5162035LL	-
08	SOLENOID VALVE DRAIN HOSE 3RD GROUP (3GR)	5162036LL	-
09	COMPLETE HOSE FOR PRESSOSTAT	5162001LL	06.16.00.718
10	COMPLETE LEFT STEAM TAP HOSE 3-4GR	5163003LL	06.16.00.738
11	COMPLETE RIGHT STEAM TAP HOSE 2-3-4GR	5163004LL	06.16.00.731
12	COMPLETE WATER TAP HOSE 2-3GR	5163005LL	-
13	WATER SAUCTION HOSE D6X1 L=80	5192307LL	-
14	COMPLETE CHECK VALVE HOSE	5163007LL	-
15	INLET AUTOMATIC LEVEL HOSE	5162218LL	-
16	COMPLETE BOILER DRAIN HOSE	5164001.01LL	-
17	MANIFOLD HOSE 3GR	5163207LL	-
18	ASSEMBLY EXCHANGER HOS	5966536	-
19	PRESSURE GAUGE CAPILLARY	7400901	-
20	FLEXIBLE HOSE 3/8"FFC L=600MM	7200507	-
21	FLEXIBLE HOSE 3/8" L=1500 AISI 304	7200504	F 1489



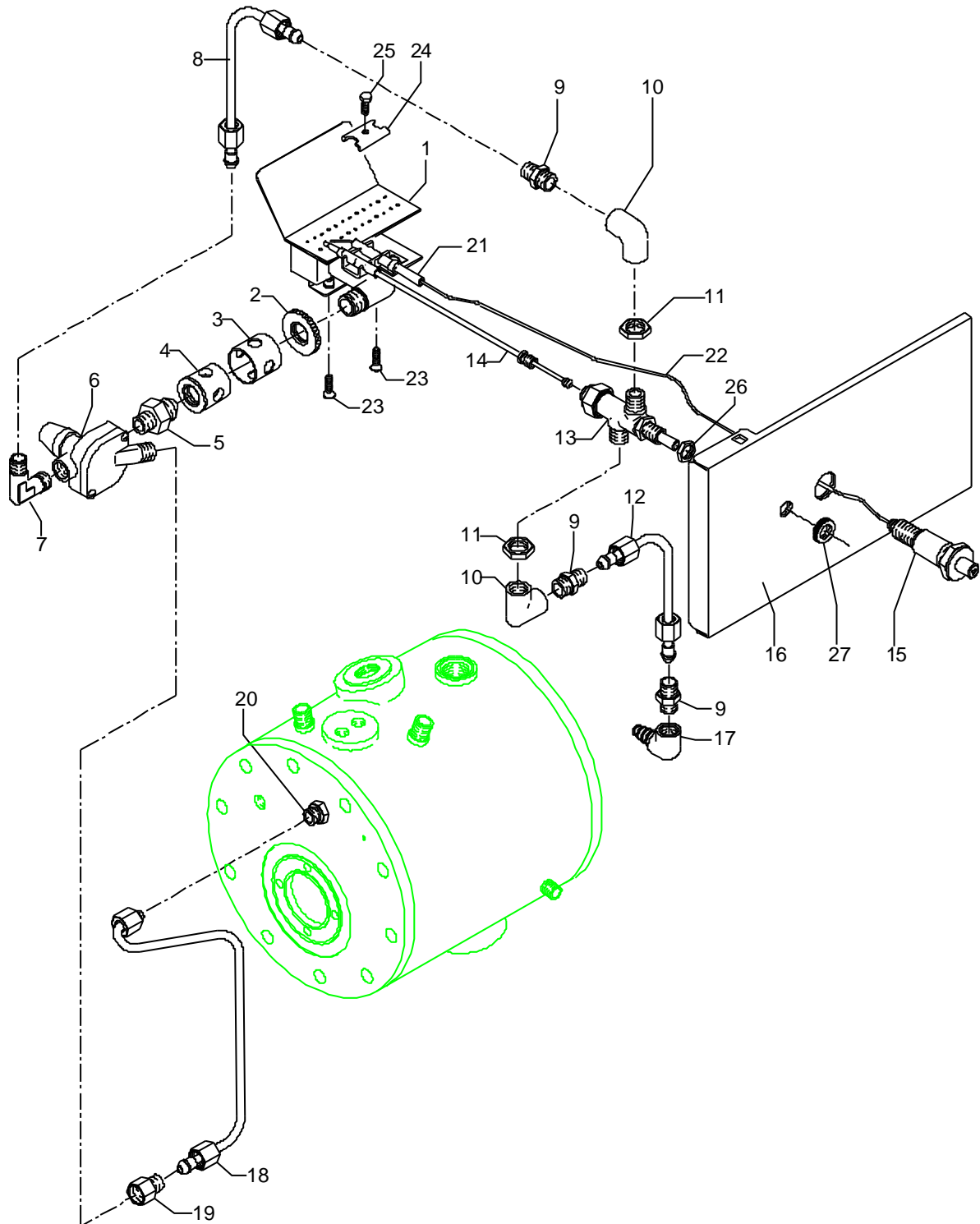


POS	DESCRIPTION	CODE	REFERENCE
01	BOTTOM EXCHANGER HOSE 1ST GROUP (2-3-4GR)	5165002LL	-
02	BOTTOM EXCHANGER HOSE 2ND GR.	5165033LL	-
03	UPPER EXCHANGER HOSE 1ST GROUP (2-3-4GR)	5165009LL	-
04	SOLENOID VALVE DRAIN HOSE 1ST GR (4GR)	5162148LL	06.16.00.820
05	SOLENOID VALVE DRAIN HOSE 1ST GROUP (2GR) -2ND GROUP (4GR)	5162030LL	-
06	SOLENOID VALVE DRAIN HOSE 2ND GROUP (2GR) 3RD GROUP (4GR)	5162031LL	-
07	SOLENOID VALVE DRAIN HOSE 4TH GR	5162147LL	06.16.00.822
08	COMPLETE HOSE FOR PRESSOSTAT	5162001LL	06.16.00.718
09	COMPLETE LEFT STEAM TAP HOSE 3-4GR	5163003LL	06.16.00.738
10	COMPLETE RIGHT STEAM TAP HOSE 2-3-4GR	5163004LL	06.16.00.731
11	COMPLETE WATER TAP HOSE 2-3GR	5163005LL	-
12	WATER SAUCTION HOSE D6X1 L=80	5192307LL	-
13	COMPLETE CHECK VALVE HOSE	5163007LL	-
14	INLET AUTOMATIC LEVEL HOSE	5162218LL	-
15	COMPLETE BOILER DRAIN HOSE	5164001.01LL	-
16	MANIFOLD HOSE 4GR	5163208LL	-
17	ASSEMBLY EXCHANGER HOS	5966536	-
18	PRESSURE GAUGE CAPILLARY	7400901	-
19	FLEXIBLE HOSE 3/8"FFC L=600MM	7200507	-
20	FLEXIBLE HOSE 3/8" L=1500 AISI 304	7200504	F 1489



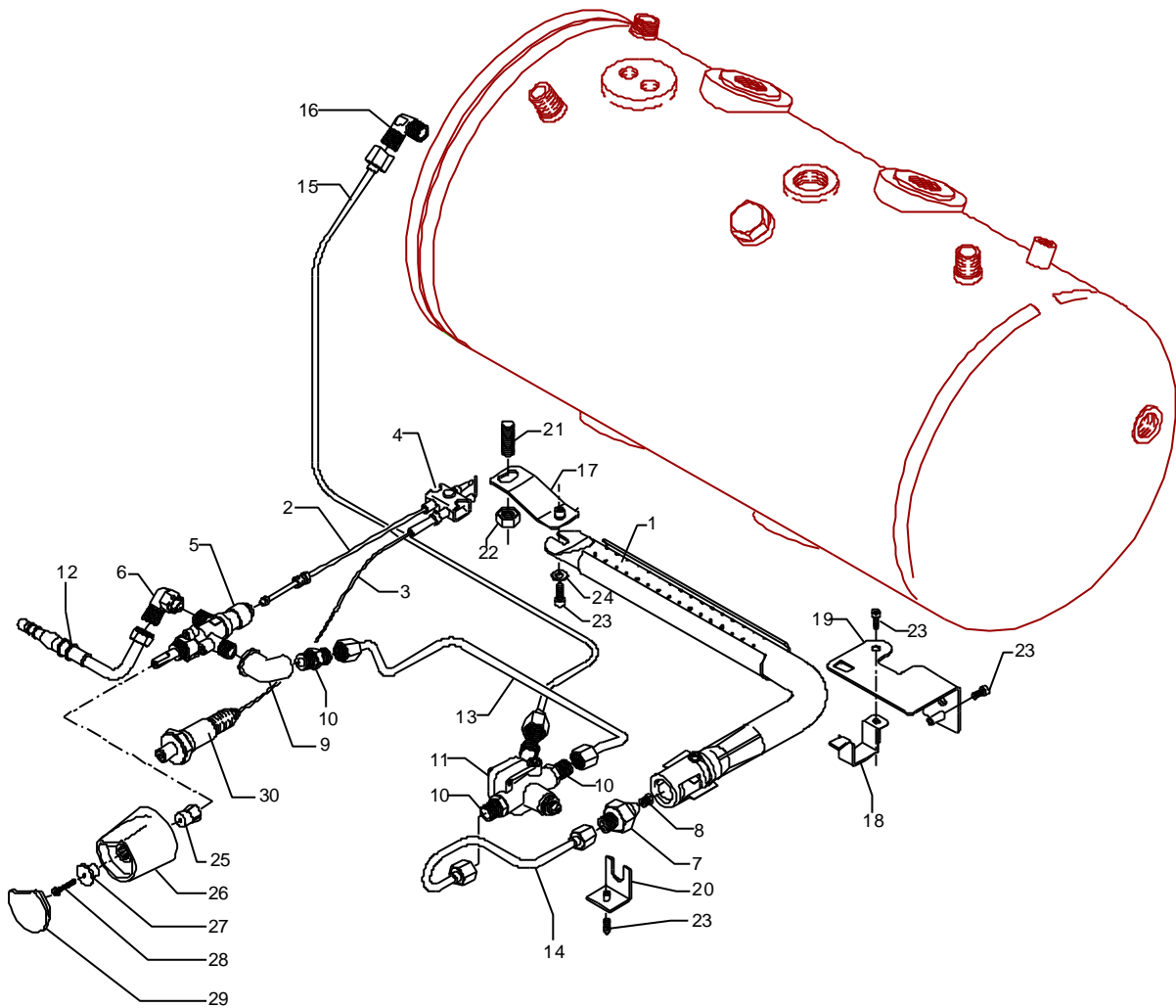


POS	DESCRIPTION	CODE	REFERENCE
01	ASSEMBLY BURNER 1GR	5343004LL	-
02	RING NUT 3/8"G H4 OT	5222808	T 1459
03	EXTERNAL INTAKE AIR PASSAGE D28 X 25.5	5220602	T 1458
04	INTERNAL INTAKE AIR PASSAGE D26 X 27 OT	5220601	T 1457
05	JET 1/4"G HOLE D0,4	5223009-04	T 1465
05	JET 1/4"G HOLE D0,5	5223009-05	-
06	GAS RG10 REGULATOR	7402410	T 1454
07	UNION ELBOW M12 X 1/4"GAS	5301512	-
08	REGULATOR-JET HOSE 1GR	5162172LL	-
09	STRAIGHT FITTING M12 X 1/4"G H24 OT	5302009	F 1031
10	UNION ELBOW 1/4"G	5301518	T/6 1520
11	NUT 1/4"G H5 OT	5221821	T 1498
12	INLET GAS HOSE 1GR	5162173LL	-
13	VALVE M1 WITH RING NUT	7403601	T/6 1518
14	THERMOCOUPLE	7403001	T/6 1517
15	PIEZO IGNITION WITH NUT	7400302	T/6 1513
16	GROUP FRONTAL + GAS RG10	5094395LW	-
17	RUBBER-HOLDER 1/4" D12 OT	5224405	T 1475
18	BOILER-REGULATOR HOSE 1GR LEVER	5162171LL	-
19	REDUCTION GEAR 1/4"G X M12 ES.16 H22 OT	5302029	F 766
20	STRAIGHT FITTING M12 X M10 OT	5302010	F 683
21	CANDLE	7400301	T/6 1511
22	ELECTRIC CABLE	7401205	T/6 1512
23	SCREW TTEI M4X12	7819901	F 1700
24	UPPER RACKET	7401202	-
25	SCREW M4,5X18	7401204	-
26	NUT M12X1	5221847	-
27	RING NUT M12X1	7472101	-



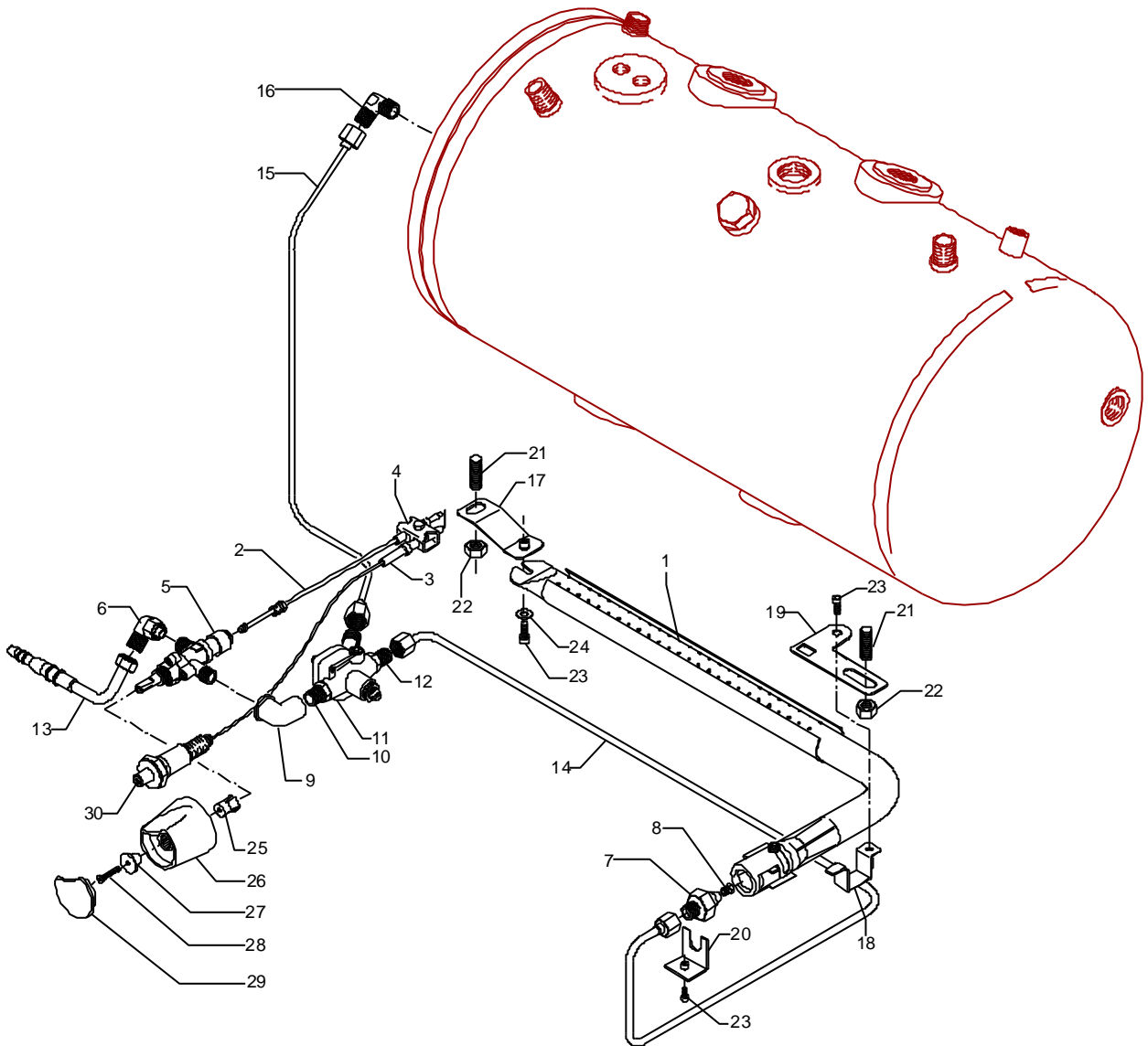


POS	DESCRIPTION	CODE	REFERENCE
01	BURNER 2GR	7400600	-
02	THERMOCOUPLE L=600	7403003	-
03	IGNITION CANDLE	7400305	-
04	CLIPS	5479917	-
05	TAP	7403602	-
06	UNION ELBOW	7303023LL	-
07	INJECTOR-HOLDER	5224413	-
08	INJECTOR Ø 0,6	7303024	-
08	INJECTOR Ø 0,8	7303025	-
09	UNION ELBOW 1/4"G	5301518	-
10	STRAIGHT FITTING M12 X 1/4"G H24 OT	5302009	F 1031
11	GAS RG10 REGULATOR	7402410	-
12	RUBBER-HOLDER HOSE	5163211LL	-
13	REGULATOR TAP HOSE	5162252LL	-
14	REGULATOR-JET/BURNER HOSE	5162249LL	-
15	BOILER-REGULATOR HOSE	5161018LL	-
16	UNION ELBOW M12X1/8"G	5301504	-
17	LEFT SUPPORT	5037824LL	-
18	BURNER HOLDER	5037825LL	-
19	RIGHT SUPPORT	5037826LL	-
20	BURNER SUPPORT	5037823LL	-
21	TIE ROD M10 X 33 ASTM A193	5267012	-
22	NUT M10 UNI 5587 ASTM A194	7812608	-
23	SCREW TCEI M4X12	7816002	F 1600
24	PLAIN WASHER D4 FEZN	7809804	SIS 18
25	KNOB INSERT	7473032	-
26	SWITCH KNOB D42 GREY	5371806	KEY 104G
26	SWITCH KNOB D42 BLUE	5371807	KEY 117B
27	KNOB BUSHING	5220816	-
28	TAPPING SCREW TCTC 3,9X16	7818203	-
29	SHAPED PLUG GREY	5373923	-
29	SHAPED PLUG BLUE	5373924	-
30	PIEZO IGNITION	7400302	-





POS	DESCRIPTION	CODE	REFERENCE
01	BURNER 3GR	7400601	-
02	THERMOCOUPLE L=600	7403003	-
03	IGNITION CANDLE	7400305	-
04	CLIPS	5479917	-
05	TAP	7403602	-
06	UNION ELBOW	7303023LL	-
07	INJECTOR-HOLDER	5224413	-
08	INJECTOR Ø 0,8	7303025	-
08	INJECTOR Ø 1,1	7303026	-
09	UNION ELBOW 1/4"G	5301518	-
10	FITTING 1/4"G	7304524	-
11	GAS RG10 REGULATOR	7402410	-
12	STRAIGHT FITTING M12 X 1/4"G H24 OT	5302009	F 1031
13	RUBBER-HOLDER HOSE	5163211LL	-
14	REGULATOR-JET/BURNER HOSE	5162250LL	-
15	BOILER-REGULATOR HOSE	5161017LL	-
16	UNION ELBOW M12X1/8"G	5301504	-
17	LEFT SUPPORT	5037824LL	-
18	BURNER HOLDER	5037825LL	-
19	RIGHT SUPPORT	5037827	-
20	BURNER SUPPORT	5037823LL	-
21	TIE ROD M10 X 33 ASTM A193	5267012	-
22	NUT M10 UNI 5587 ASTM A194	7812608	-
23	SCREW TCEI M4X12	7816002	F 1600
24	PLAIN WASHER D4 FEZN	7809804	SIS 18
25	KNOB INSERT	7473032	-
26	SWITCH KNOB D42 GREY	5371806	KEY 104G
26	SWITCH KNOB D42 BLUE	5371807	KEY 117B
27	KNOB BUSHING	5220816	-
28	TAPPING SCREW TCTC 3,9X16	7818203	-
29	SHAPED PLUG GREY	5373923	-
29	SHAPED PLUG BLUE	5373924	-
30	PIEZO IGNITION	7400302	-



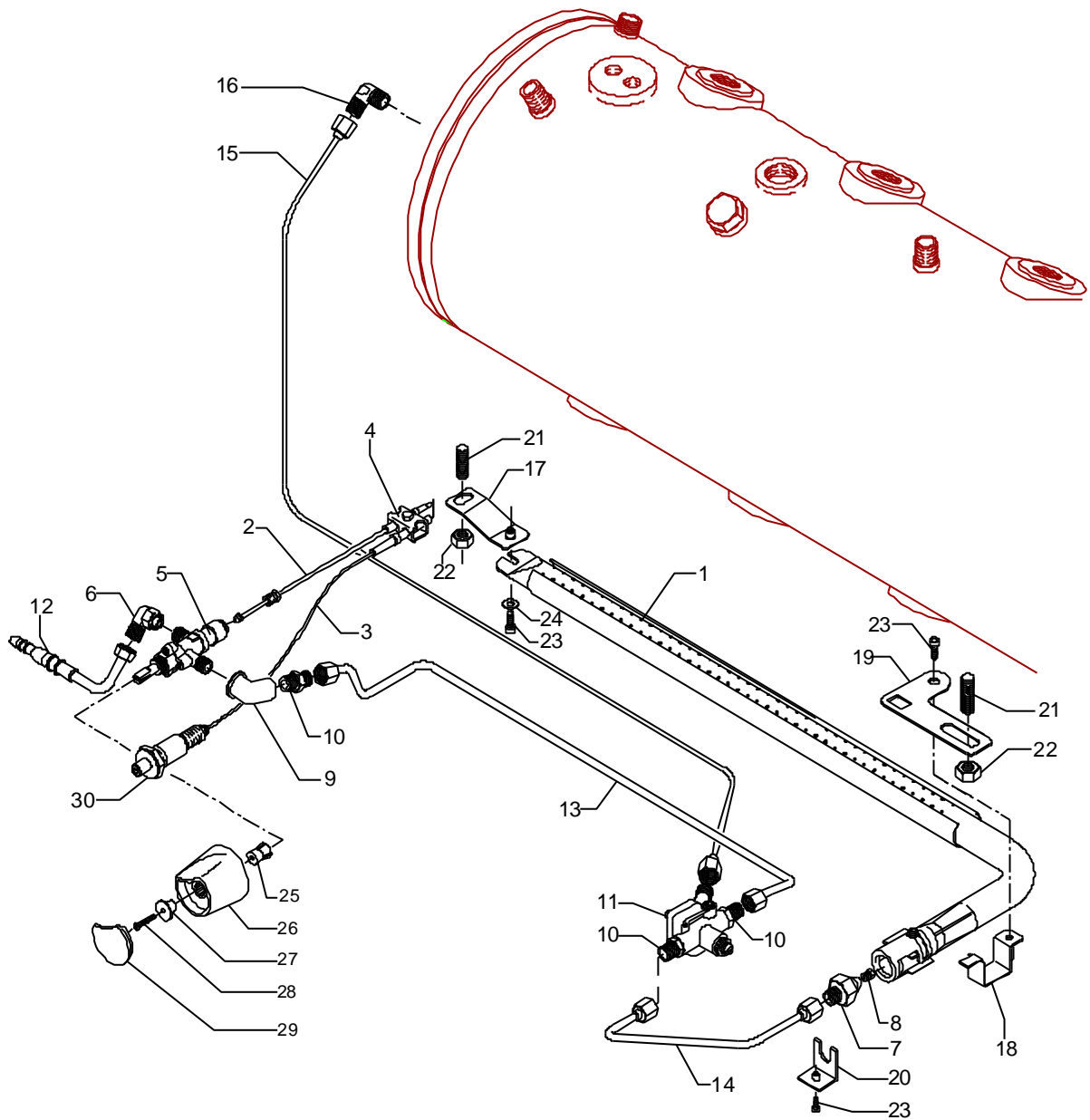


POS	DESCRIPTION	CODE	REFERENCE
01	BURNER 4GR	7400602	-
02	THERMOCOUPLE L=600	7403004	-
03	IGNITION CANDLE	7400305	-
04	CLIPS	5479917	-
05	TAP	7403602	-
06	UNION ELBOW	7303023LL	-
07	INJECTOR-HOLDER	5224413	-
08	INJECTOR Ø 1,0	7303027	-
08	INJECTOR Ø 1,5	7303028	-
09	UNION ELBOW 1/4"G	5301518	-
10	STRAIGHT FITTING M12 X 1/4"G H24 OT	5302009	F 1031
11	GAS RG10 REGULATOR	7402410	-
12	RUBBER-HOLDER HOSE	5163211LL	-
13	REGULATOR TAP HOSE	5162251LL	-
14	REGULATOR-JET/BURNER HOSE	5162249LL	-
15	BOILER-REGULATOR HOSE	5161016LL	-
16	UNION ELBOW M12X1/8"G	5301504	-
17	LEFT SUPPORT	5037824LL	-
18	BURNER HOLDER	5037825LL	-
19	RIGHT SUPPORT	5037827	-
20	BURNER SUPPORT	5037823LL	-
21	TIE ROD M10 X 33 ASTM A193	5267012	-
22	NUT M10 UNI 5587 ASTM A194	7812608	-
23	SCREW TCEI M4X12	7816002	F 1600
24	PLAIN WASHER D4 FEZN	7809804	SIS 18
25	KNOB INSERT	7473032	-
26	SWITCH KNOB D42 GREY	5371806	KEY 104G
26	SWITCH KNOB D42 BLUE	5371807	KEY 117B
27	KNOB BUSHING	5220816	-
28	TAPPING SCREW TCTC 3,9X16	7818203	-
29	SHAPED PLUG GREY	5373923	-
29	SHAPED PLUG BLUE	5373924	-
30	PIEZO IGNITION	7400302	-

Mod. ELLISSE DE
ELLISSE TE
ELLISSE PM

Tav. GAS 4 GR

BEZZERA 
dal 1901



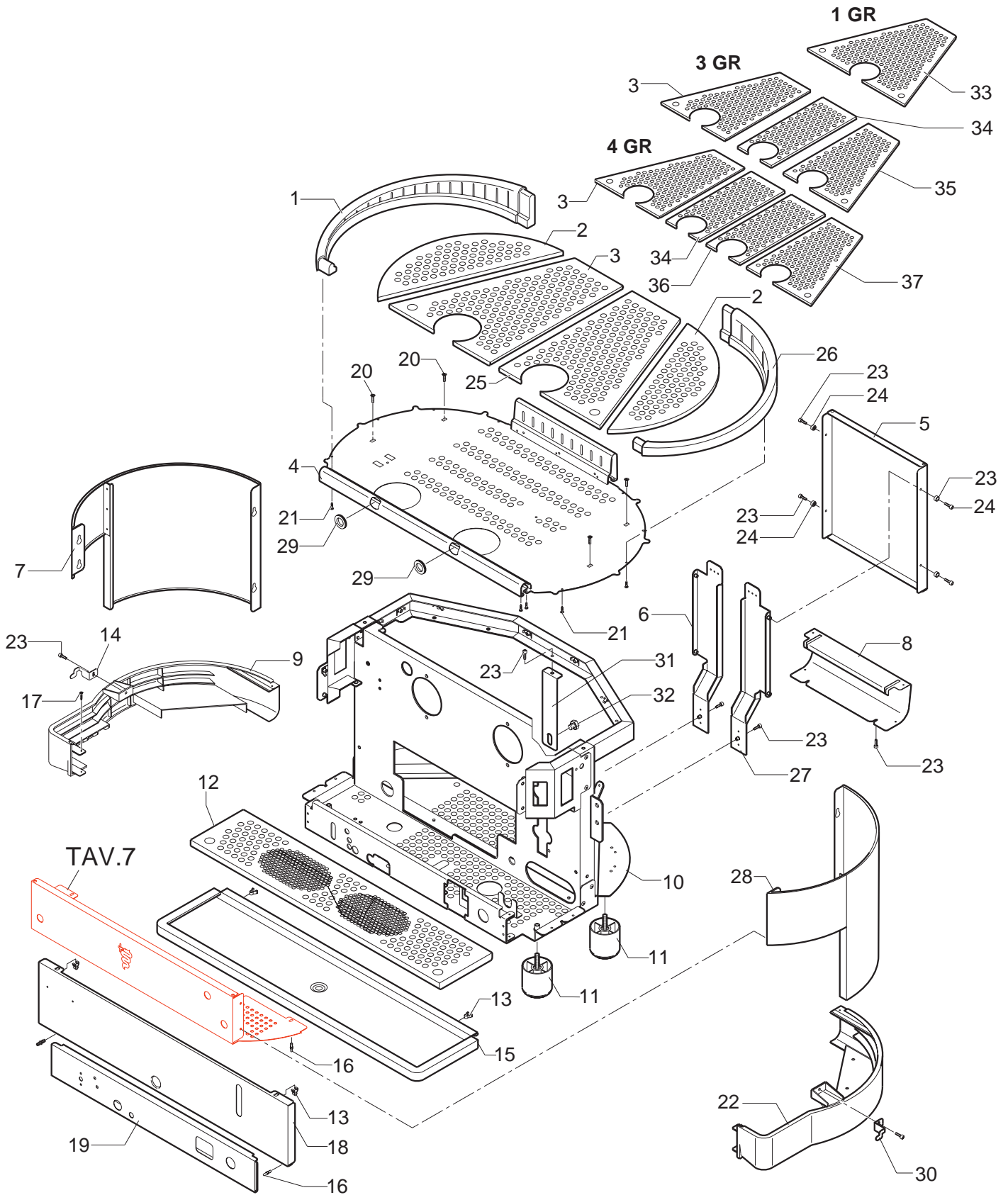


ELLISSEALM up to 03/2006



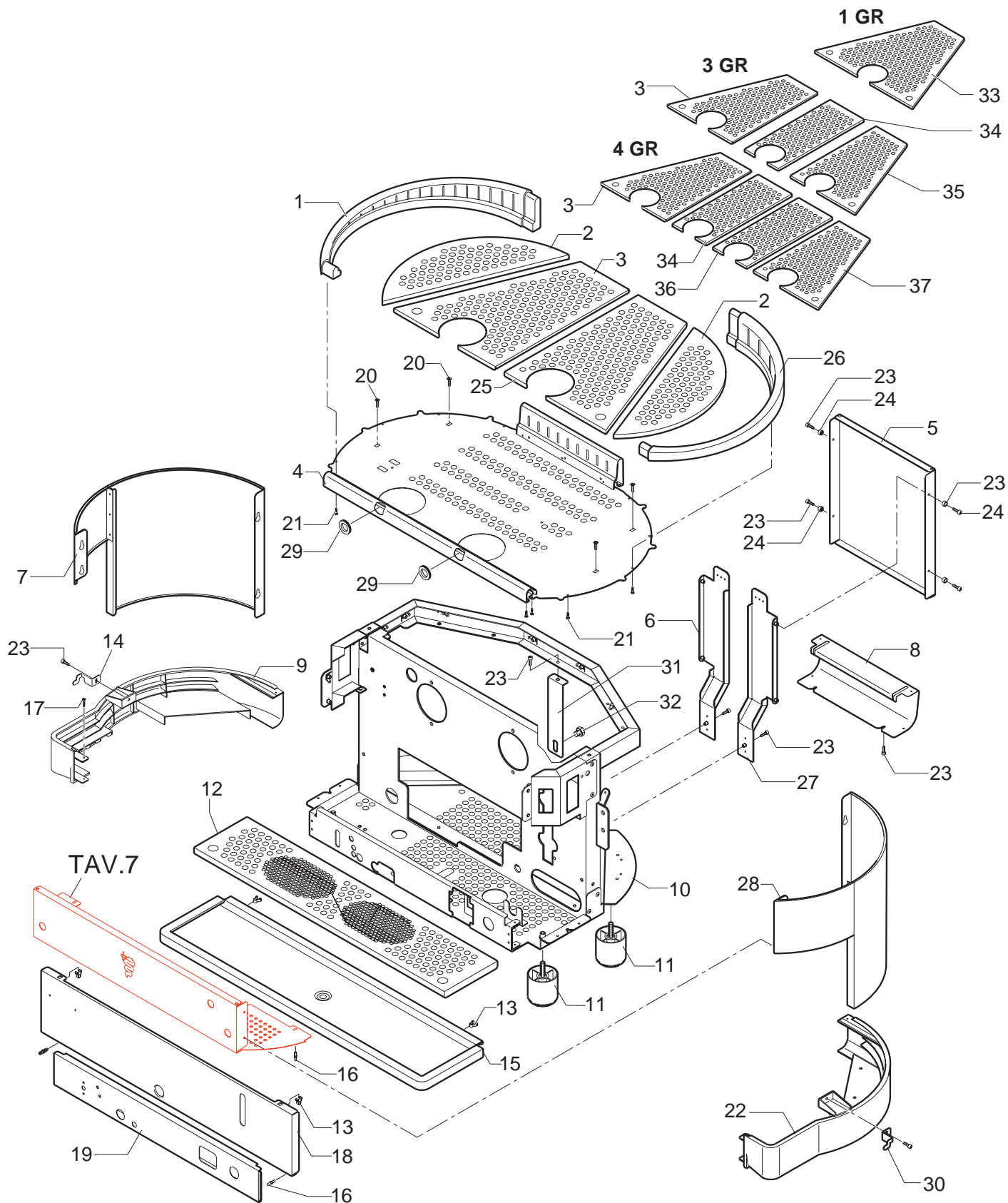


POS	DESCRIPTION	CODE	REFERENCE
01	LEFT CUPS-HEATER FRAME BLUE	5375108.....	KEY 126B
01	LEFT CUPS-HEATER FRAME GREY	5375107.....	KEY 113G
02	LATERAL CUPS-HEATER GRID 1-2-3-4 GR	5074501LW.....	KEY 047P
03	CENTRAL LEFT CUPS-HEATER GRID 2-3-4GR.....	5074574LW.....	PRT 232P
04	ASSEMBLY CUPS-HEATER 1GR GOLD	5343024.....	-
04	ASSEMBLY CUPS-HEATER 1GR STAINLESS STEEL.....	5343023.....	-
04	ASSEMBLY CUPS-HEATER 2GR GOLD	5343026.....	-
04	ASSEMBLY CUPS-HEATER 2GR STAINLESS STEEL.....	5343025.....	-
04	ASSEMBLY CUPS-HEATER 3GR GOLD	5343028.....	-
04	ASSEMBLY CUPS-HEATER 3GR STAINLESS STEEL.....	5343027.....	-
04	ASSEMBLY CUPS-HEATER 4GR GOLD	5343030.....	-
04	ASSEMBLY CUPS-HEATER 4GR STAINLESS STEEL.....	5343029.....	-
05	REAR PANEL 1GR GOLD	5095101DT	-
05	REAR PANEL 1GR STAINLESS STEEL SATINED.....	5095101LW.....	KEY 041P
05	REAR PANEL 1GR RED RAL 3000	5095101VT	-
05	REAR PANEL 2GR GOLD	5095102DT	-
05	REAR PANEL 2GR STAINLESS STEEL SATINED.....	5095102LW.....	KEY 010P
05	REAR PANEL 2GR RED RAL 3000.....	5095102VT	-
05	REAR PANEL 3GR GOLD	5095103DT	-
05	REAR PANEL 3GR STAINLESS STEEL SATINED.....	5095103LW.....	KEY 040P
05	REAR PANEL 3GR RED RAL 3000	5095103VT	-
05	REAR PANEL 4GR STAINLESS STEEL SATINED.....	5095185LW.....	-
05	REAR PANEL 4GR GOLD	5095185DT	-
05	REAR PANEL 4GR RED RAL 3000	5095185VT	-
06	REAR BRACKET 1GR	5018101LL.....	-
06	REAR LEFT BRACKET 2-3-4GR.....	5018103LL.....	-
07	ASSEMBLY LEFT LATERAL SIDE GOLD	5343002DT	-
07	ASSEMBLY LEFT LATERAL SIDE STAINLESS STEEL SATINED.....	5343002.....	KEY 136P
07	ASSEMBLY LEFT LATERAL SIDE RED RAL 3000	5343002VT	-
08	CENTRAL SOCLE 1GR	5099001LW.....	KEY 035P
08	CENTRAL SOCLE 1GR GOLD.....	5099001DT	KEY 035P
08	CENTRAL SOCLE 2GR	5099002LW.....	KEY 019P
08	CENTRAL SOCLE 2GR GOLD.....	5099002DT	KEY 019P
08	CENTRAL SOCLE 3GR	5099003LW.....	KEY 027P
08	CENTRAL SOCLE 3GR GOLD.....	5099003DT	KEY 027P
08	CENTRAL SOCLE 4GR	5099004LW.....	-
08	CENTRAL SOCLE 4GR GOLD.....	5099004DT	-
09	LEFT SOCLE BLUE	5375104.....	KEY 124B
09	LEFT SOCLE GREY	5375103.....	KEY 111G
10	ASSEMBLY CHASSIS 1GR	5964563.....	-
10	ASSEMBLY CHASSIS 2GR	5964564.....	-
10	ASSEMBLY CHASSIS 3GR	5964565.....	-
10	ASSEMBLY CHASSIS 4GR	5964566.....	-
11	FEET D60 X 60 SHANK M8 X 20 BLUE	7474208.....	-
11	FEET D60 X 60 SHANK M8 X 20 GREY	7474207.....	-
12	DRIP TRAY GRID 1GR	5094501LW.....	KEY 089P
12	DRIP TRAY GRID 2GR	5094502LW.....	KEY 048P
12	DRIP TRAY GRID 3GR	5094503LW.....	KEY 088P
12	DRIP TRAY GRID 4GR	5094525LW.....	-
13	SHAPED SPRING.....	5471503.....	F 1541
14	SQUARE FOR LEFT PANEL SUPPORT	5037806LW.....	KEY 200PSX
15	DRIP TRAY 1GR. POLISHED	5070602DL	KEY 087P
15	DRIP TRAY 2GR. COMPACT POLISHED.....	5070603DL	KEY 049P
15	DRIP TRAY 3GR. COMPACT POLISHED.....	5070604DL	KEY 086P
15	DRIP TRAY 4GR. COMPACT POLISHED.....	5070629DL	-
16	STUD M4X22.6 AVP NICHEL-PLATED	5244008NC.....	KEY 061
17	TAPPING SCREW TB D2.9 X 9.5 UNI 6954 A2	7818002.....	F 1439
18	GROUP FRONTAL 1GR	5094355LW.....	-
18	GROUP FRONTAL 2GR	5094332LW.....	-
18	GROUP FRONTAL 3GR	5094337LW.....	-
18	GROUP FRONTAL 4GR	5094338LW.....	-



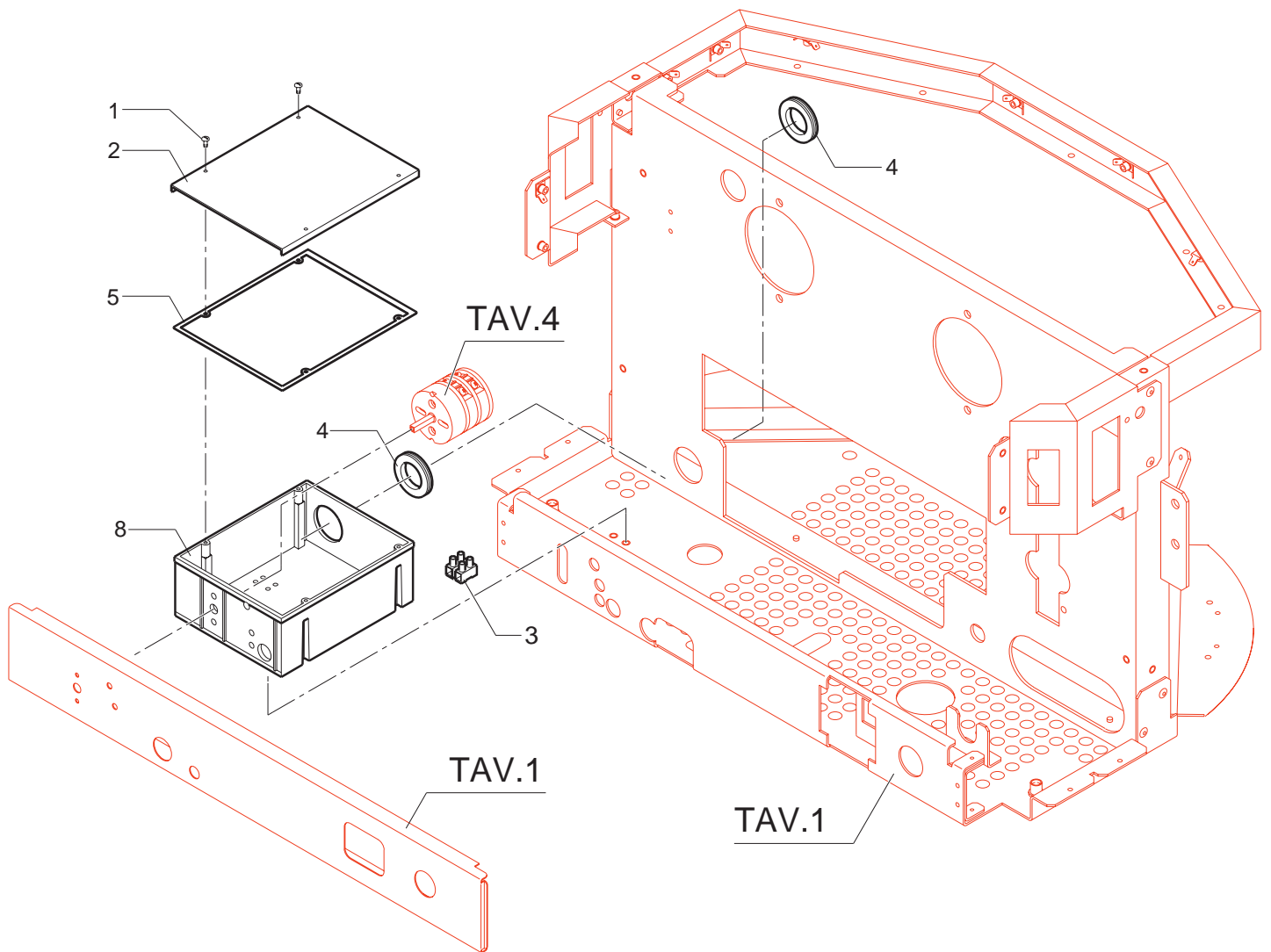


POS	DESCRIPTION	CODE	REFERENCE
19	BASEMENT FRONTAL 1GR BLUE	5094354SB	-
19	BASEMENT FRONTAL 1GR GREY.....	5094354SG.....	-
19	BASEMENT FRONTAL 2GR BLUE	5094333SB	-
19	BASEMENT FRONTAL 2GR GREY.....	5094333SG.....	-
19	BASEMENT FRONTAL 3GR BLUE	5094335SB	-
19	BASEMENT FRONTAL 3GR GREY.....	5094335SG.....	-
19	BASEMENT FRONTAL 4GR BLUE	5094340SB	-
19	BASEMENT FRONTAL 4GR GREY.....	5094340SG.....	-
20	SCREW TPS M4 X 16.....	7817801	F 1599
21	SCREW TC M3X10	7809801	F 1765
22	RIGHT SOCLE BLUE	5375102.....	KEY 123B
22	RIGHT SOCLE GREY.....	5375101	KEY 110G
23	SCREW TCEI M4X12	7816002.....	F 1600
24	BUSHING D10 X 4.2 OT	5220802.....	KEY 052
25	RIGHT CUPS-HEATER GRID 2GR	5074573LW.....	PRT 233P
26	RIGHT CUPS-HEATER FRAME BLUE.....	5375106.....	KEY 125B
26	RIGHT CUPS-HEATER FRAME GREY	5375105.....	KEY 112G
27	REAR RIGHT BRACKET 2-3-4GR	5018102LL.....	-
28	ASSEMBLY RIGHT LATERAL SIDE GOLD	5343001DT	-
28	ASSEMBLY RIGHT LATERAL SIDE STAINLESS STEEL SATINED	5343001	KEY 137P
28	ASSEMBLY RIGHT LATERAL SIDE RED RAL 3000.....	5343001VT	-
29	FAIRLEAD WITH HOLE RUBBER	7613004.....	J 220
30	SQUARE FOR RIGHT PANEL SUPPORT	5037805LW.....	KEY 200PDX
31	SQUARE FOR BOILER SUPPORT	5037811LL.....	-
32	SCREW TE M10X10 UNI 5739 A2	7816401	F 1477
33	CENTRAL CUPS-HEATER GRID 1GR.....	5074584LW.....	-
34	CENTRAL LEFT CUPS-HEATER GRID 3GR (CENTRAL LEFT 4GR).....	5074576LW.....	-
35	RIGHT CUPS-HEATER GRID 3GR	5074575LW.....	-
36	CENTRAL RIGHT CUPS-HEATER GRID 4GR.....	5074577LW.....	-
37	RIGHT CUPS-HEATER GRID 4GR	5074578LW.....	-



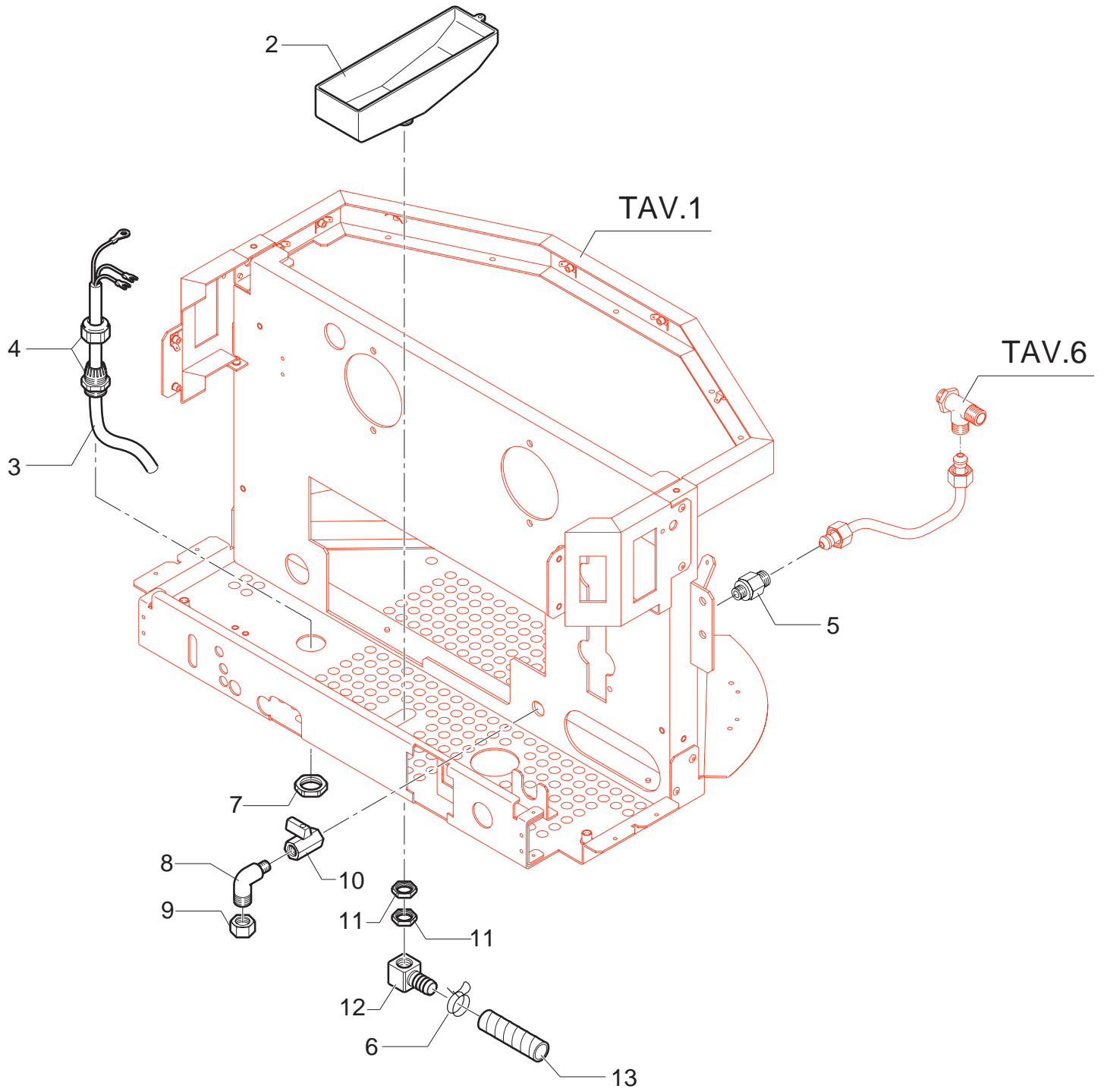


POS	DESCRIPTION	CODE	REFERENCE
01	SCREW TCI M3X7 UNI 6107 OT	7826208.....	F 765
02	ELECTRIC BOX COVER	5373101.....	KEY 129
03	CLAMP 2 CONTACTS.....	7612504.....	-
04	FAIRLEAD P63 RUBBER.....	7613001.....	J 221
05	GASKET 163.4X130X1 RUBBER	5493017.....	KEY 059
08	ELECTRIC BOX 129X161X ABS	5373301.....	KEY 128



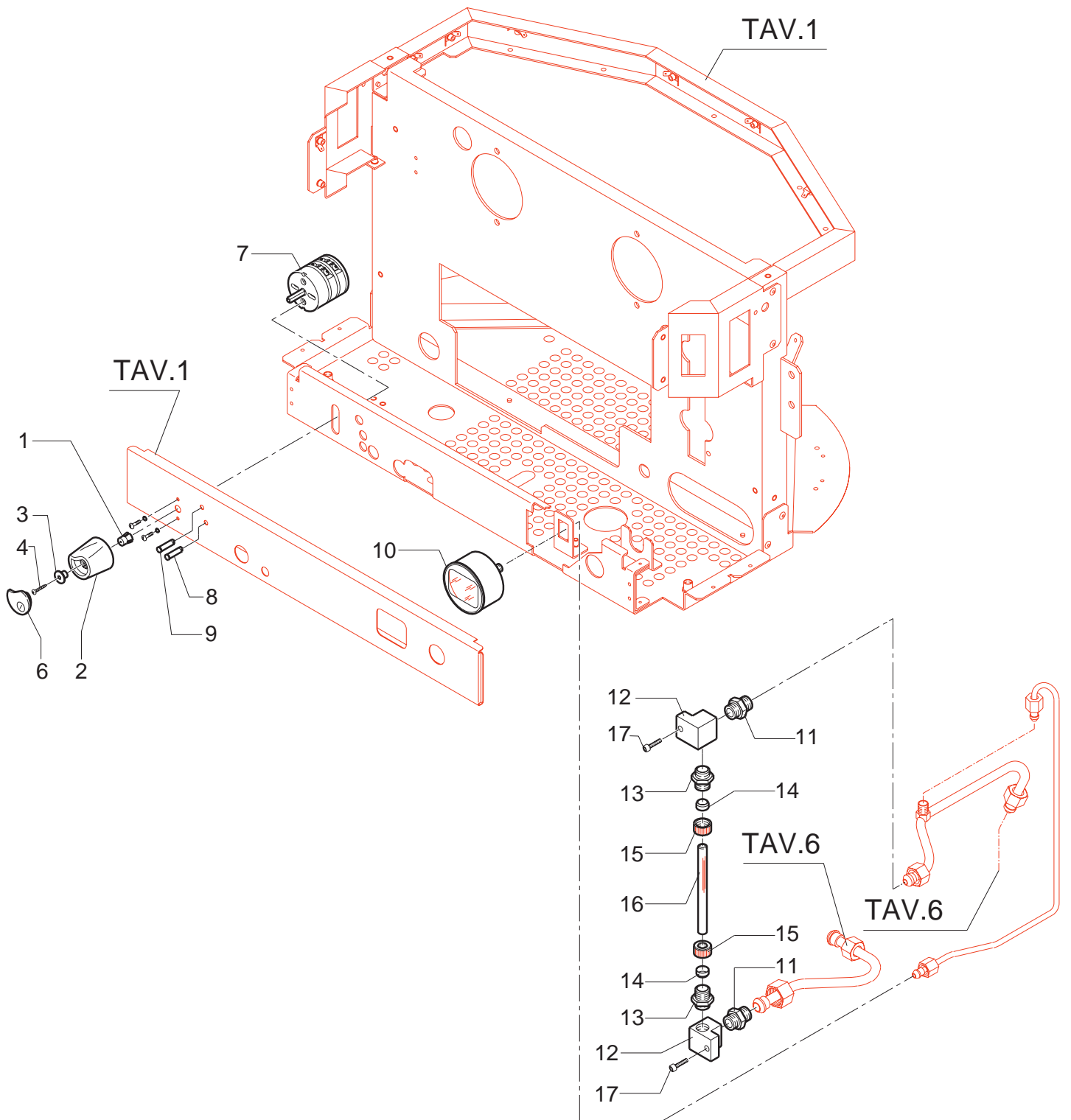


POS	DESCRIPTION	CODE	REFERENCE
02	DRIP TRAY ABS	5374501	KEY 130
03	CONNECTING CABLE H07RNF 3X2,5 MM ² L=2MT (1-2GR 220V-240V)	3552404	-
03	CONNECTING CABLE H07RNF 3X4 MM ² L=3MT (3-4GR 220V-240V)	3552703	06.16.00.135
04	CABLE-PRESS PG16 POLYAMIDE	7614001	J 486
05	STRAIGHT FITTING 1/4" X 3/8"G OT	5225201	F 1038
06	CLAMP D22 FE	7611501	F 1266
07	NUT PG16 POLYAMIDE	7614003	J 487
08	UNION ELBOW 1/4"G X 3/8"G OT	5301501	F 896
09	CAP NUT 3/8"G	5221819	F 642
10	BALL COCK FF 1/4"G	7451501	N/2 1250
11	NUT 3/8"G ES.22 H5 OT	5221826	M 1191
12	RUBBER-HOLDER D16.5	5224410	F 1732
13	HOSE D22 L=2MT PLASTIC	7303501	F 1299



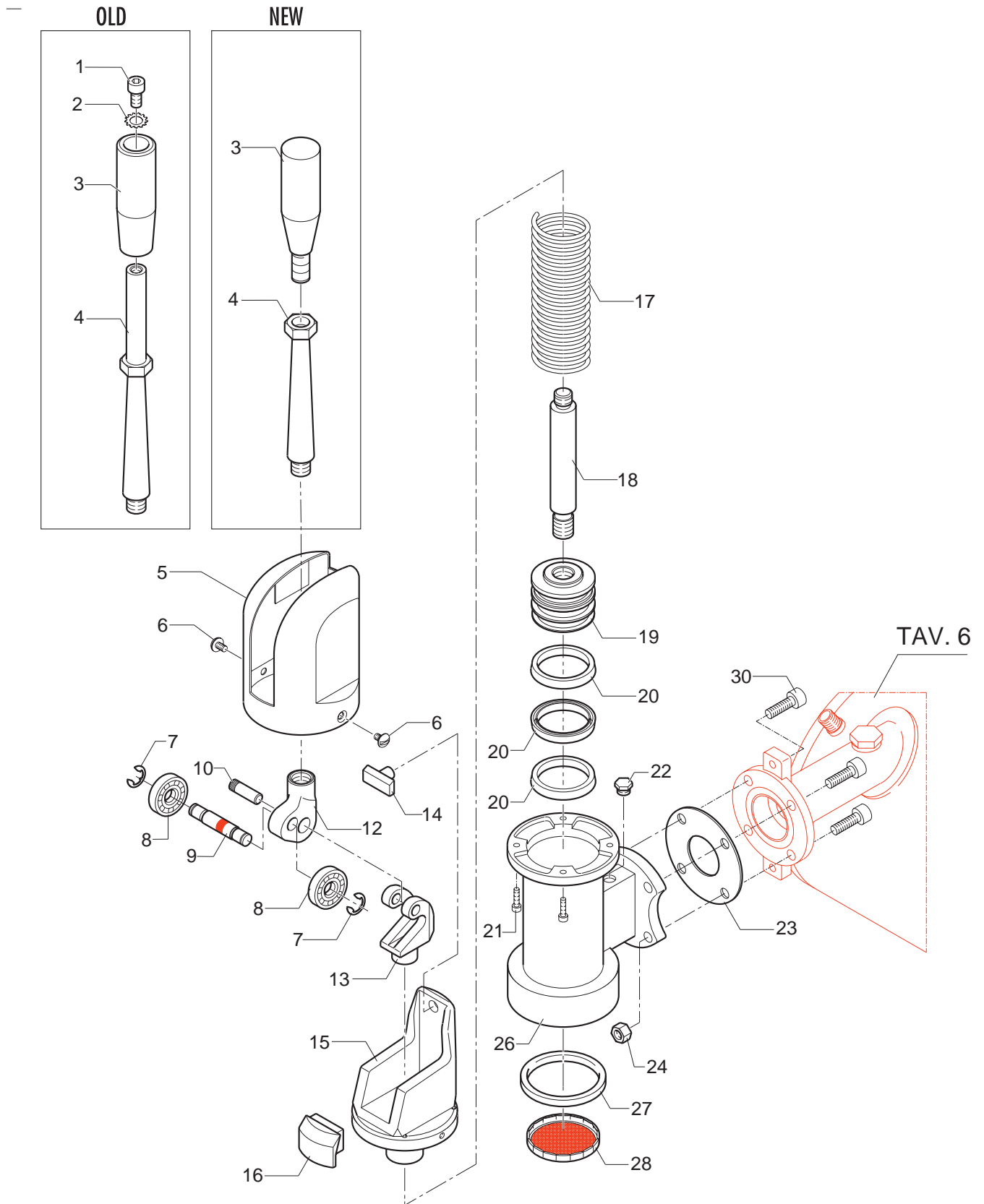


POS	DESCRIPTION	CODE	REFERENCE
01	INSERT D9.5 H14	5371301	KEY 144
02	SWITCH KNOB D42 BLUE	5371807	KEY 117B
02	SWITCH KNOB D42 GREY	5371806	KEY 104G
03	SLEEVE D15X3 H9.5	5220803	F 1727
04	SCREW TC M3X25	7809802	F 1766
06	SHAPED PLUG BLUE	5373912	KEY 118B
06	SHAPED PLUG GREY	5373911	KEY 105G
07	BASEMENT SWITCH 1 POS.25A	7633306	V 1584
08	ORANGE LAMP 230/240V	7633604	J 848/230
09	RED LAMP 230V	7633606	J 849/230
10	PRESSURE GAUGE D60 3 BAR	7432513	-
11	STRAIGHT FITTING 3/8"G	5302011	F 645
12	GLASS LEVEL FITTING 30 X 30 X 35 OT	5225275	KEY 023
13	STRAIGHT FITTING 3/8"G ES.22 H23 OT	5225204	KEY 005
14	GASKET D14.5 X 10 X 7 RUBBER 75SH	5493004	F 727
15	RING NUT 3/8"G D20 H11 OT	5221836	F 836
16	LEVEL HOSE D10 X 2.2 L=120 PIREX	5430505	F 1759
17	SCREW TCEI M4X20 UNI 5931 A2	7816005	GB/1 783/20



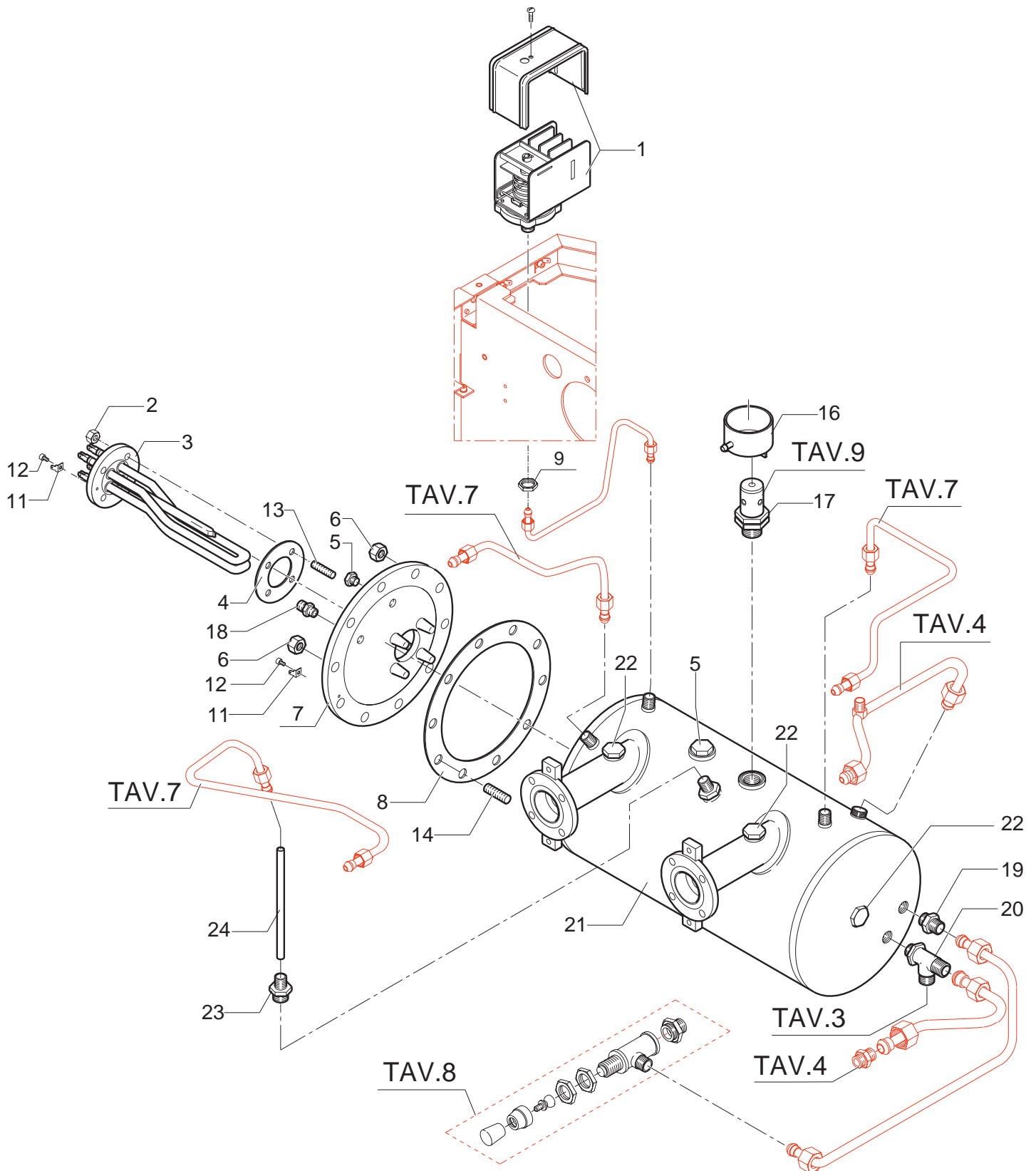


POS	DESCRIPTION	CODE	REFERENCE
01	SCREW TCEI M8X16 UNI 5931 8.8 (OLD)	7806013.....	F 623
02	FAN WASHER D10 R150 ZINC PLATED (OLD).....	7804001.....	GB/2 805
03	KNOB D30 (OLD).....	5371808.....	GB/2 803
03	ASSEMBLY HANDLE ABS GREY (NEW).....	5963013.....	H 880G
03	ASSEMBLY HANDLE ABS BLUE (NEW)	5963016.....	H 880B
04	LEVER L=235 MM ES.22 AVP CHROMED (OLD)	5263201CM	GB/2 802
04	LEVER CHROMED (NEW)	5263202CM	-
05	LEVER GROUP CAP	5370601	GB/2 801
06	SCREW TCS M5X8 DIN 964 A2.....	7817401.....	GB/1 784
07	RING D9 UNI 7434 R150	7800601.....	GB/1 781
08	BALL BEARING D35 X 10 X 11	7471801.....	GB/1 782
09	STUD D11 X 61 PR80	5244006.....	GB/1 786
10	STUD D9 X 29 CARBONITRIDED.....	5244007CN.....	GB/1 785CN
12	ARTICULATION M16 OT NICKEL-PLATED.....	5287001.01NC.....	-
13	GROUP FORK OT NICKEL-PLATED.....	5284501.01NC.....	GB/2 789
14	UPPER VIBRATION DAMPER.....	5473001.....	GB/2 787
15	BEARING SLIDE HEAD OT	5287502.....	GB/2 790
16	BOTTOM VIBRATION DAMPER	5473002.01.....	GB/2 800
17	SPRING D46 X 130	5471502.....	GB/2 791
18	SHAFT D20X 139 AISI 303.....	5260201.....	GB/2 806
19	PISTON D50 OT.....	5224201.....	GB/2 807
20	LIP SEAL D51 X 41 X 8 NBR 75SH.....	7491001.....	GB/4 797
21	SCREW TCEI M4X16	7816004.....	GB/1 783
22	PLUG 1/8"G OT CHROMED	5226402CM	-
23	GASKET D83 X 35 X 2 ASBESTOS FREE	5492024.....	-
24	NUT M8 UNI 5587 OT.....	7821401.....	F 957
26	LEVER GROUP BODY DE OT CHROMED	5283035CM	-
27	OR GASKET 160 NBR 75SH.....	7496011.....	A 117N
27	OR GASKET 160 VITON 80SH.....	7496029.....	A 117/V
28	SHOWER D60 AISI 304.....	5470502.....	GB/2 795
29	COMPLETE ASSEMBLY LEVER GROUP GREY	5963528.02.....	-
30	SCREW TCEI M8X35 UNI 5931 A2.....	7816025.....	-



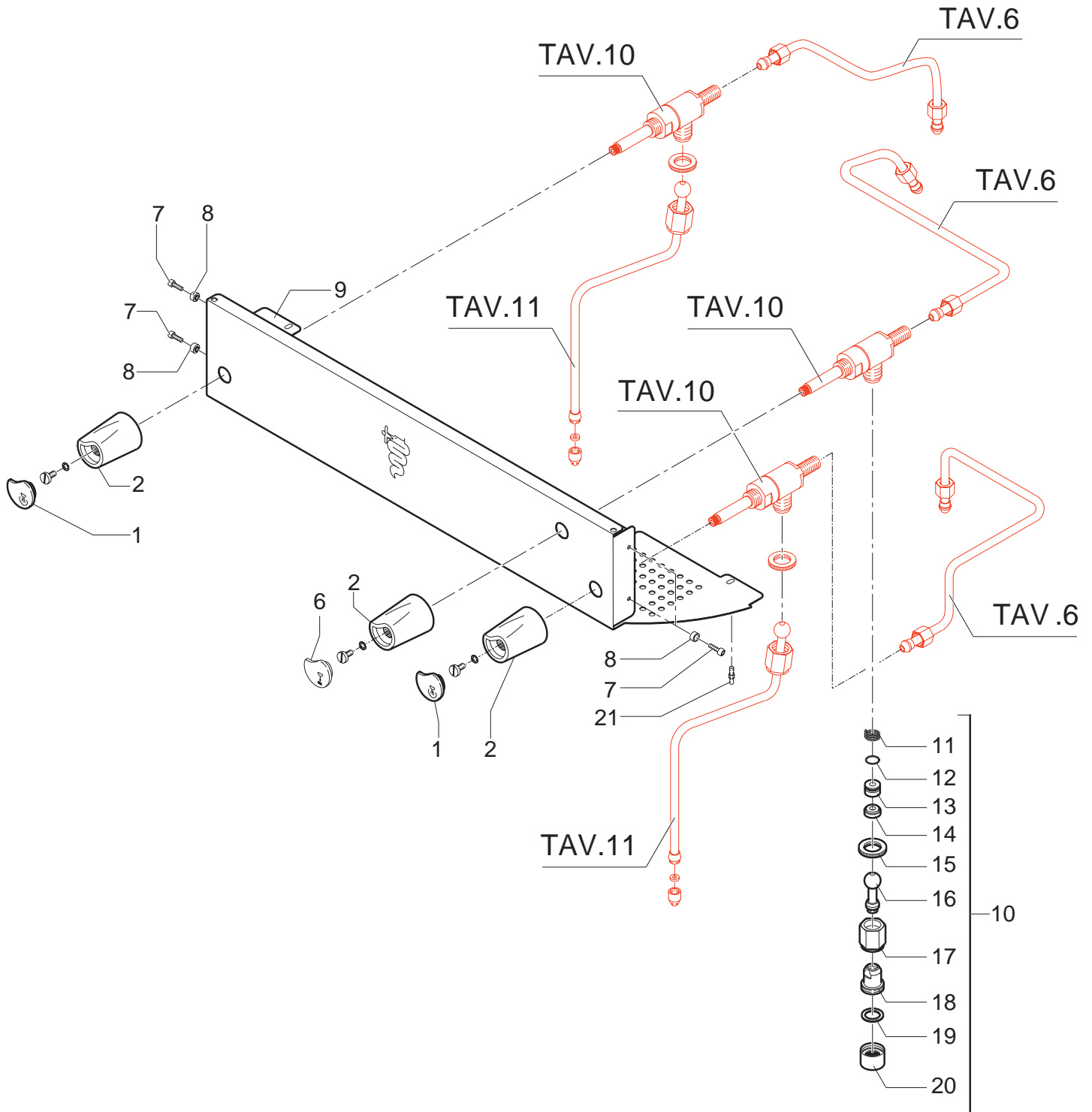


POS	DESCRIPTION	CODE	REFERENCE
01	PRESSOSTAT SIRAI P302/6	7433001	U/5 2343
02	NUT M8 UNI 5587 ASTM A194	7812607	-
03	HEATING ELEMENT 1GR 220/230V 2000W.....	5722201	T 1494/220
03	HEATING ELEMENT 2GR 220/230V 3500W.....	5722217	T 1495/220
03	HEATING ELEMENT 3-4GR 5000W 220/230V	5722219	T 1496/220
04	GASKET D76 X 39 X 2 ASBESTOS FREE	5492006	T 1493
05	PLUG M10 H12 OT	5226404	F 682
06	NUT M10 UNI 5587 ASTM A194	7812608	-
07	BOILER FLANDE D205 OT	5283502	W 2152
08	GASKET D203 X 151 X 2 ASBESTOS FREE	5492005	J 57A
09	NUT 1/4"G H5 OT	5221821	T 1498
11	FASTON 45° HOLE D5.3	7615001	J 722
12	SCREW TCI M4X6 UNI 6107 OT	7826212	F 1219
13	TIE ROD M8 X 31 ASTM A193	5267013	F 980
14	TIE ROD M10 X 33 ASTM A193	5267012	-
16	COMPLETE CUP	5963047	-
17	ASSEMBLY SAFETY VALVE 1.5 BAR	5965015	R/3 1403
18	STRAIGHT FITTING M12 X M10 OT	5302010	F 683
19	STRAIGHT FITTING 3/8"G	5302011	F 645
20	FITTING 3/8"G OT	5300505	F 1309
21	ASSEMBLY BOILER 1GR POLISHED.....	5320508BL	-
21	ASSEMBLY BOILER 2GR POLISHED.....	5321011BL	-
21	ASSEMBLY BOILER 3GR POLISHED.....	5321509BL	-
21	ASSEMBLY BOILER 4GR POLISHED.....	5322007BL	-
22	PLUG 3/8"G	5226403	F 643
23	STRAIGHT FITTING 3/8"G X M13 ES.22 H30 OT.....	5302005	F 654
24	SUCTION HOSE D8X1 150MM PTFE.....	5192305	-



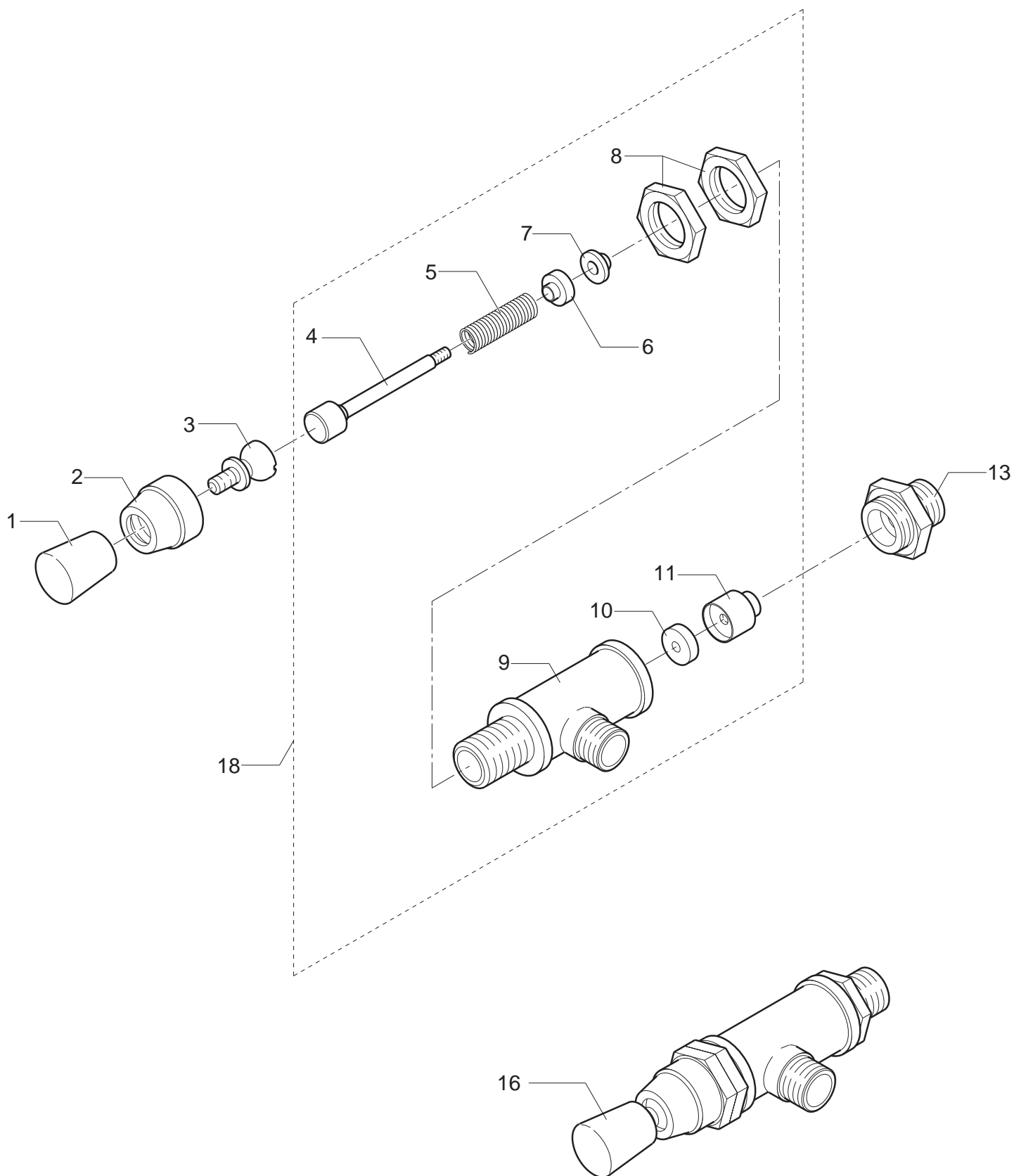


POS	DESCRIPTION	CODE	REFERENCE
01	STEAM PLUG BLUE.....	5373908.....	KEY 122B
01	STEAM PLUG GREY.....	5373907.....	KEY 109G
02	BLUE KNOB.....	5371805.....	-
02	GREY KNOB.....	5371804.....	-
06	WATER PLUG BLUE.....	5373910.....	KEY 120B
06	WATER PLUG GREY.....	5373909.....	KEY 107G
07	SCREW TCEI M4X12.....	7816002.....	F 1600
08	BUSHING D10 X 4.2 OT.....	5220802.....	KEY 052
09	WORKING FRONTAL PANEL 1GR BLUE.....	5094353SB.....	-
09	WORKING FRONTAL PANEL 1GR GREY.....	5094353SG.....	-
09	WORKING FRONTAL PANEL 2GR BLUE.....	5094334SB.....	-
09	WORKING FRONTAL PANEL 2GR GREY.....	5094334SG.....	-
09	WORKING FRONTAL PANEL 3GR BLUE.....	5094336SB.....	-
09	WORKING FRONTAL PANEL 3GR GREY.....	5094336SG.....	-
09	WORKING FRONTAL PANEL 4GR BLUE.....	5094339SB.....	-
09	WORKING FRONTAL PANEL 4GR GREY.....	5094339SG.....	-
10	ASSEMBLY COMPLETE WATER HOSE.....	5966501.....	O/16 2541/A
11	SPRING D14 AISI 302.....	5471504.....	O/6 2500
12	GASKET OR 112 EPDM 70SH.....	7496076.....	-
13	GASKET-HOLDER D14.7 X 10.5 OT.....	5224605.....	O/6 2502
14	GASKET D16X6X6 PTFE GRAPHITIZED.....	5494002.....	O/6 2503
15	RING NUT M18.....	5222801.....	O/1 1251G
16	WATER HOSE L=44MM CHROMED.....	5225603CM.....	O/9 2521/A
17	NUT M18 NICKEL-PLATED.....	5221871NC.....	-
18	STRAIGHT FITTING M22 X 1 H25 OT CHROMED.....	5225226CM.....	F 1257
19	GASKET D20.5X15 H1.5 NBR 70SH.....	5493003.....	-
20	WATER HOSE TERMINAL D23.5 H16 OT CHROMED.....	5226601CM.....	F 1272
21	STUD M4X22.6 AVP NICHEL-PLATED.....	5244008NC.....	KEY 061



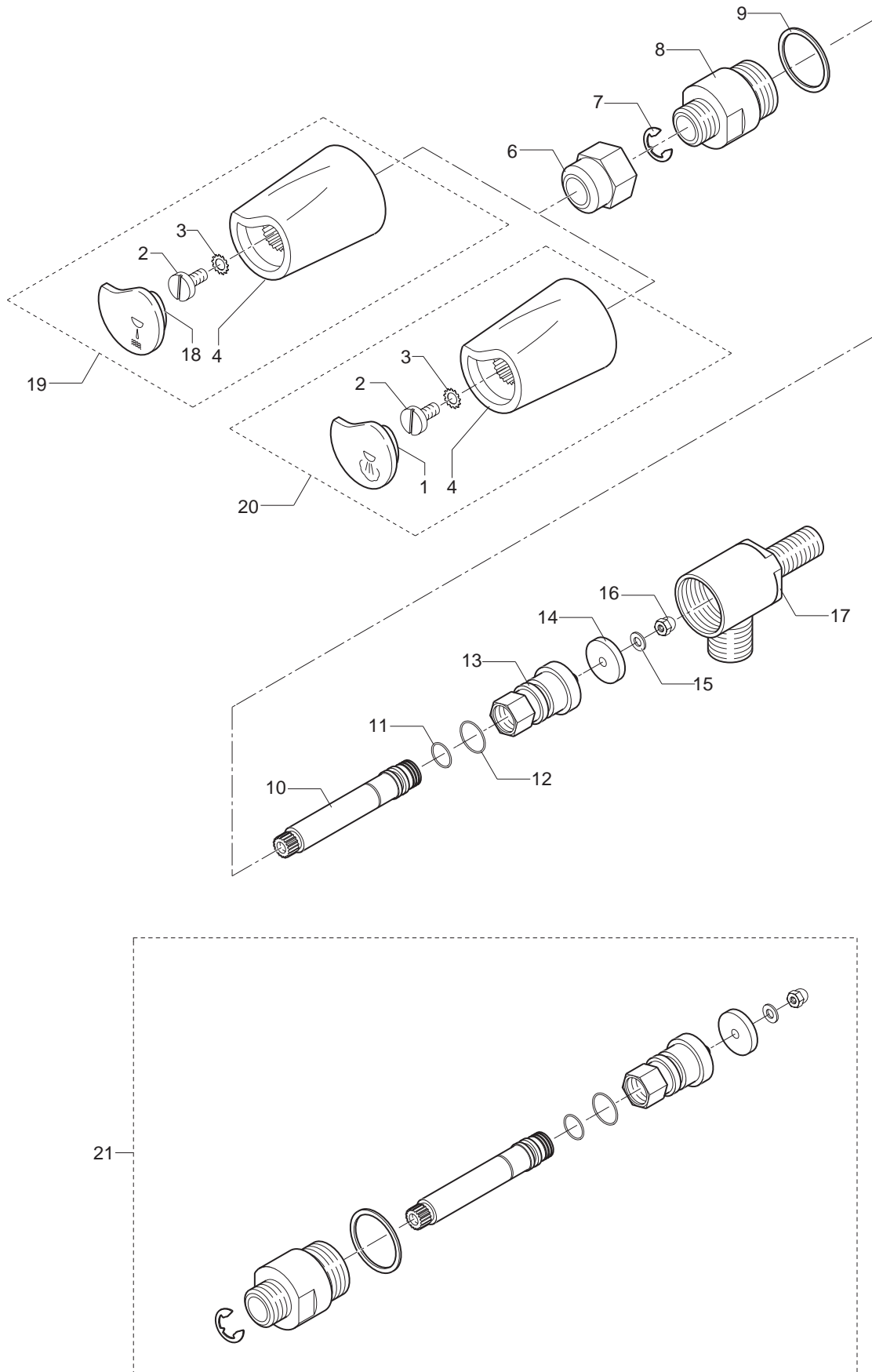


POS	DESCRIPTION	CODE	REFERENCE
01	KNOB M6	7473603.....	-
02	RING NUT M18 OT CHROMED.....	5222813CM.....	L 1128
03	ARTICULATION D14 X 24.5 X M6 AISI 303	5265601.....	L 1127
04	SHAFT D12 X 65 AISI 303.....	5260202.....	L 1125
05	SPRING D9.5 H34.5 AISI 302	5471512.....	L 1123
06	BUSHING D12 X 7 OT	5220603.....	L 1122
07	GASKET D12 X 6 PTFE GRAPHITIZED	5494004.....	L 1121
08	NUT M18 ES.26 H5 OT.....	5221833.....	L 1119
09	PUMP BODY OT	5283019.....	L 1118
10	GASKET D14 X 4 X 4 NBR 70SH.....	5493013.....	L 1117
11	GASKET-HOLDER D15 X 16.5 OT	5224607.....	L 1116
13	FITTING 3/8"G	5225241.....	L 1113B
16	ASSEMBLY PUMP 1 WAY COMPLETE.....	5964055.....	L 1130B
18	ASSEMBLY PUMP	5964058.....	L 1130



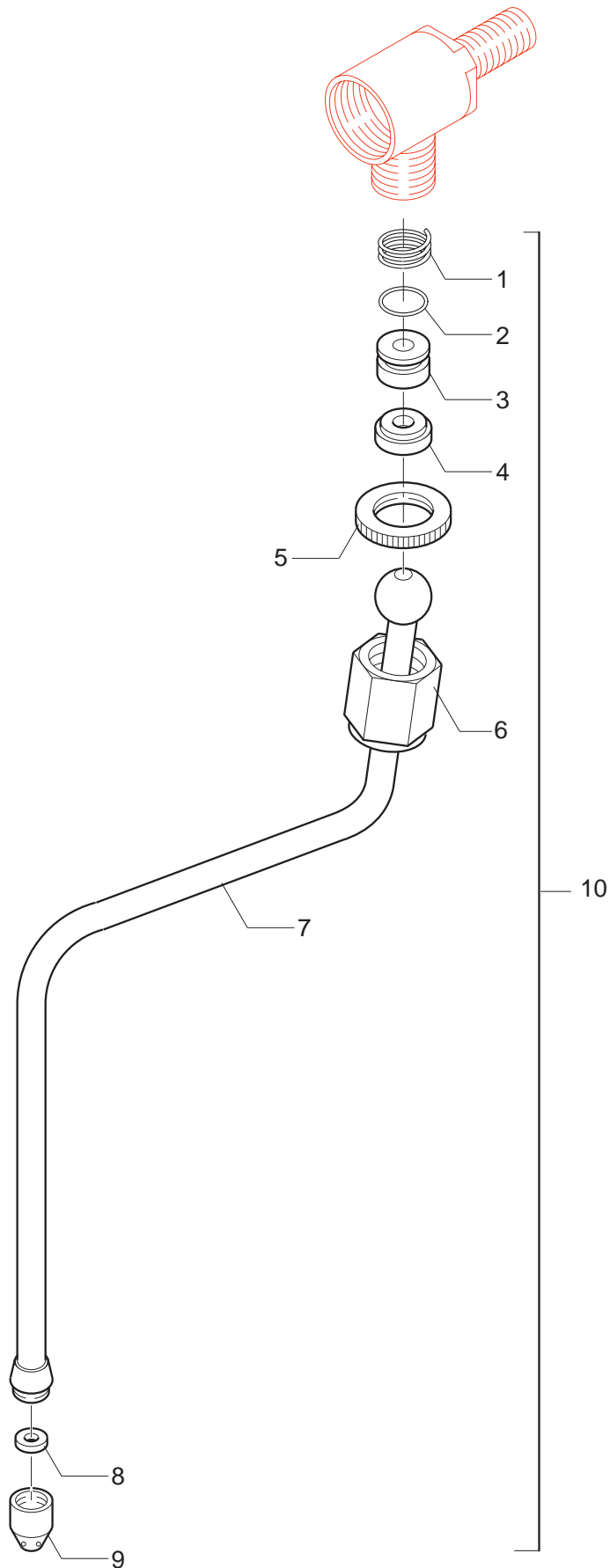


POS	DESCRIPTION	CODE	REFERENCE
01	STEAM PLUG BLUE	5373908.....	KEY 122B
01	STEAM PLUG GREY	5373907.....	KEY 109G
02	SCREW TCI M5X10 UNI 6107 OT.....	7826202.....	F 794A
03	FAN WASHER D6 DIN 6798A.....	7804002.....	F 736
04	BLUE KNOB.....	5371805.....	-
04	GREY KNOB	5371804.....	-
06	NUT 3/8"G OT NICKEL-PLATED	5221804NC.....	M/5 2424
07	RING D7 UNI 7434 A2	7810601	M/5 2425
08	FOR MACHINES BUILT UNTIL 28/02/05 SEE POSN. 21		
08	NUT SCREW (FROM 01/03/05).....	5223402.....	-
09	GASKET D28 X 1 COPPER	5495001	M/5 2434
10	FOR MACHINES BUILT UNTIL 28/02/05 SEE POSN. 21		
10	ROD (FROM 01/03/05)	5220411	-
11	OR GASKET 108 VITON.....	7496003.....	M/5 2428
11	OR GASKET 10,82X1,78	7496075.....	-
12	OR GASKET 115 VITON.....	7496002.....	M/5 2430
13	FOR MACHINES BUILT UNTIL 28/02/05 SEE POSN. 21		
13	GASKET-HOLDER (FROM 01/03/05)	5970504.01	-
14	TAP GASKET EPT 70SH	5493023.....	M/5 2431EP
15	PLAIN WASHER D8 X 4 X 0.8 OT	7825001	F 1218
16	CAP NUT M4 OT.....	7822201	D/B 528
17	TAP BODY OT	5283002.....	M/5 2433
18	WATER PLUG BLUE.....	5373910.....	KEY 120B
18	WATER PLUG GREY	5373909.....	KEY 107G
19	ASSEMBLY WATER TAP BLUE	5974010.01.....	-
19	ASSEMBLY WATER TAP GREY.....	5974009.01.....	-
20	ASSEMBLY STEAM TAP BLUE	5974008.01.....	-
20	ASSEMBLY STEAM TAP GREY	5974007.01.....	-
21	TAP KIT FOR MACHINES BUILT UNTIL 28/02/05	5976522.....	-



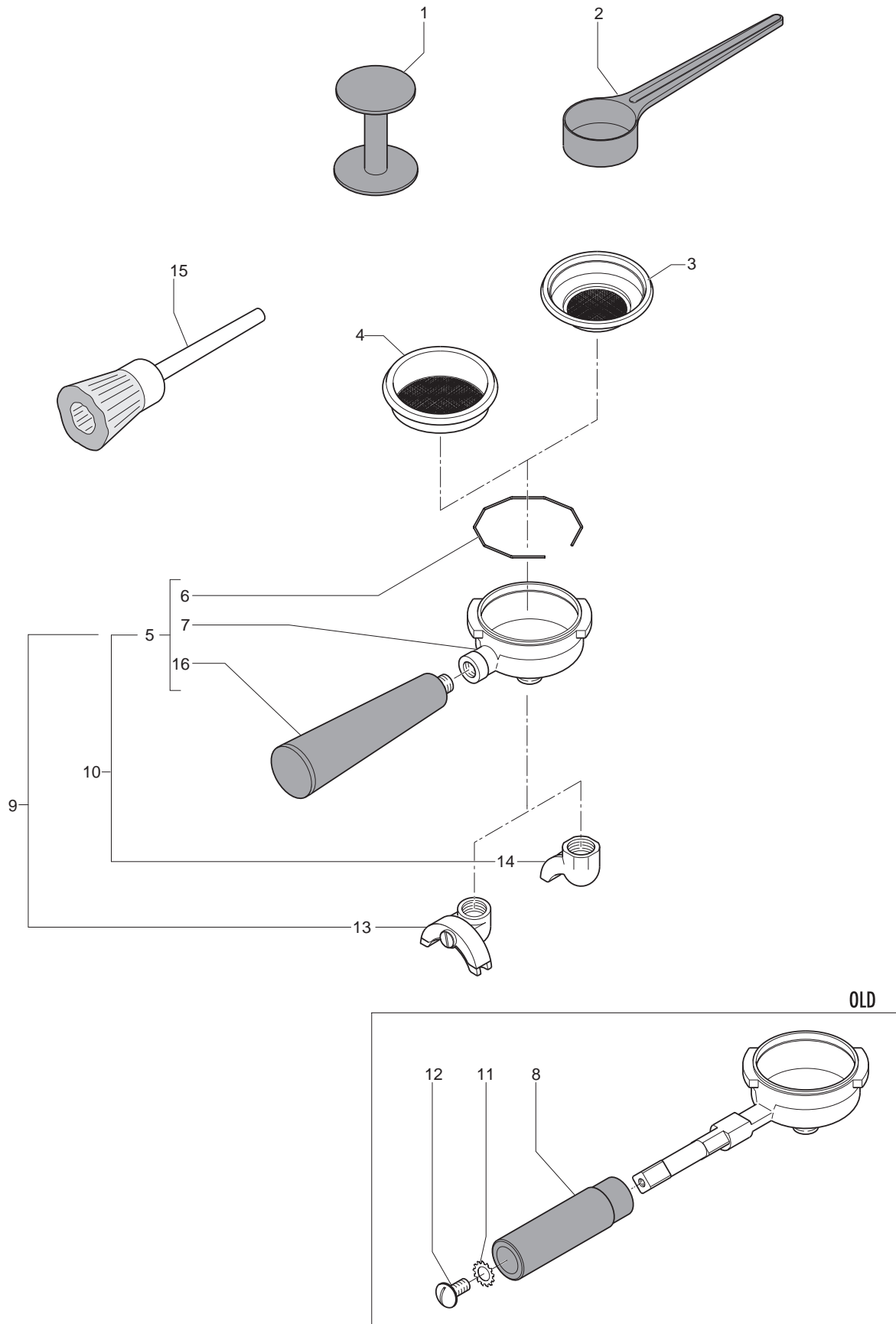


POS	DESCRIPTION	CODE	REFERENCE
01	SPRING D14 AISI 302	5471504	O/6 2500
02	OR GASKET 112 EPDM 70SH	7496076	-
03	GASKET-HOLDER D14.7 X 10.5 OT	5224605	O/6 2502
04	GASKET D16X6X6 PTFE GRAPHITIZED	5494002	O/6 2503
05	RING NUT M18	5222801	O/1 1251G
06	NUT M18 NICKEL-PLATED (OLD)	5221871NC	-
07	STEAM TAP HOSE CHROMED (OLD)	5163015CM	O/16 2540
07	COMPLETE HOSE STAINLESS STEEL (NEW)	7479928	-
08	GASKET D8.5 X 5 X 3.2 PTFE (OLD)	5494001	J 464/3
09	STEAM HOSE TERMINAL CHROMED (OLD)	5226602	O/1 1258
10	ASSEMBLY COMPLETE STEAM HOSE	5966502.01	-



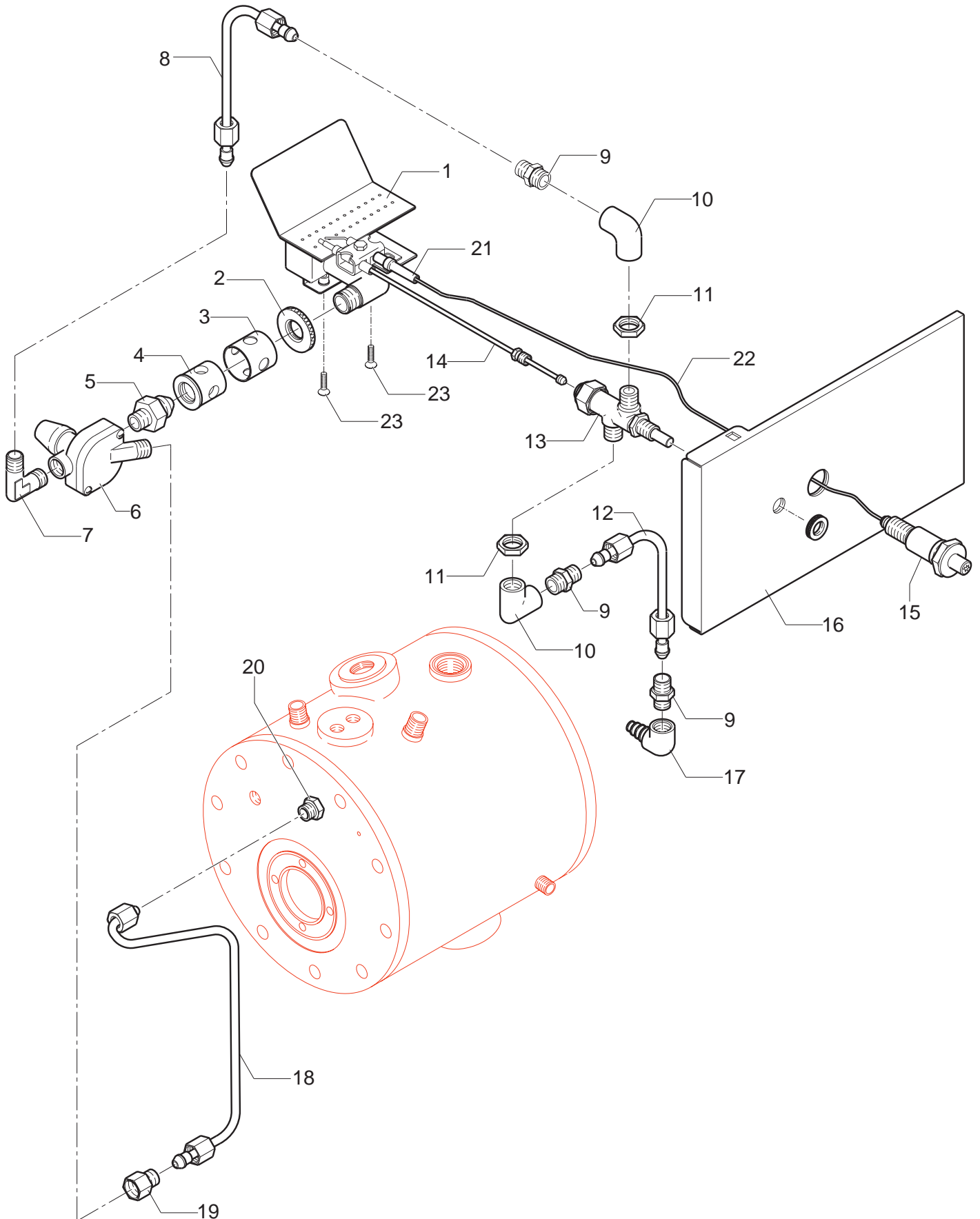


POS	DESCRIPTION	CODE	REFERENCE
01	COFFEE-PRESS ABS	5373001	H 862
02	MEASURER ABS.....	5372101	H 861
03	FILTER 1 CUP 6 GRAMS	5471004.....	H 856
04	FILTER 2 CUPS 12 GRAMS AISI 304	5471005.....	H 867
04	FILTER 2 CUPS 14 GRAMS AISI 304	5471016.....	H 853
05	ASSEMBLY FILTER-HOLDER WITHOUT SPOUT (OLD)	5965538.....	-
05	ASSEMBLY FILTER-HOLDER WITHOUT SPOUT GREY (NEW)	5965541.....	-
05	ASSEMBLY FILTER-HOLDER WITHOUT SPOUT BLUE (NEW)	5965544.....	-
06	SHAPED SPRING D1.4 AISI 302	5471507.....	H 817
07	FILTER-HOLDER (NEW)	5286011CM	-
08	KNOB D27 X 101 (OLD)	7371501	H 813
09	ASSEMBLY FILTER-HOLDER 2 CUPS (OLD)	5965539.....	-
09	ASSEMBLY FILTER-HOLDER 2 CUPS BLUE(NEW)	5965545.....	-
09	ASSEMBLY FILTER-HOLDER 2 CUPS GREY (NEW)	5965542.....	-
10	ASSEMBLY FILTER-HOLDER 1 CUP (OLD).....	5965540.....	-
10	ASSEMBLY FILTER-HOLDER 1 CUP BLUE (NEW)	5965546.....	-
10	ASSEMBLY FILTER-HOLDER 1 CUP GREY (NEW).....	5965543.....	-
11	FAN WASHER D10 DIN 6798A A2	7814003.....	H 812
12	SCREW M8.....	5227003NE.....	H 811
13	SPOUT 2 WAY	7305003.....	H 815
14	SPOUT 1 WAY	7305002.....	H 829
15	CLEANING BRUSH	7990603.....	-
16	HANDLE GREY	5963013.....	-
16	HANDLE BLUE	5963016.....	-



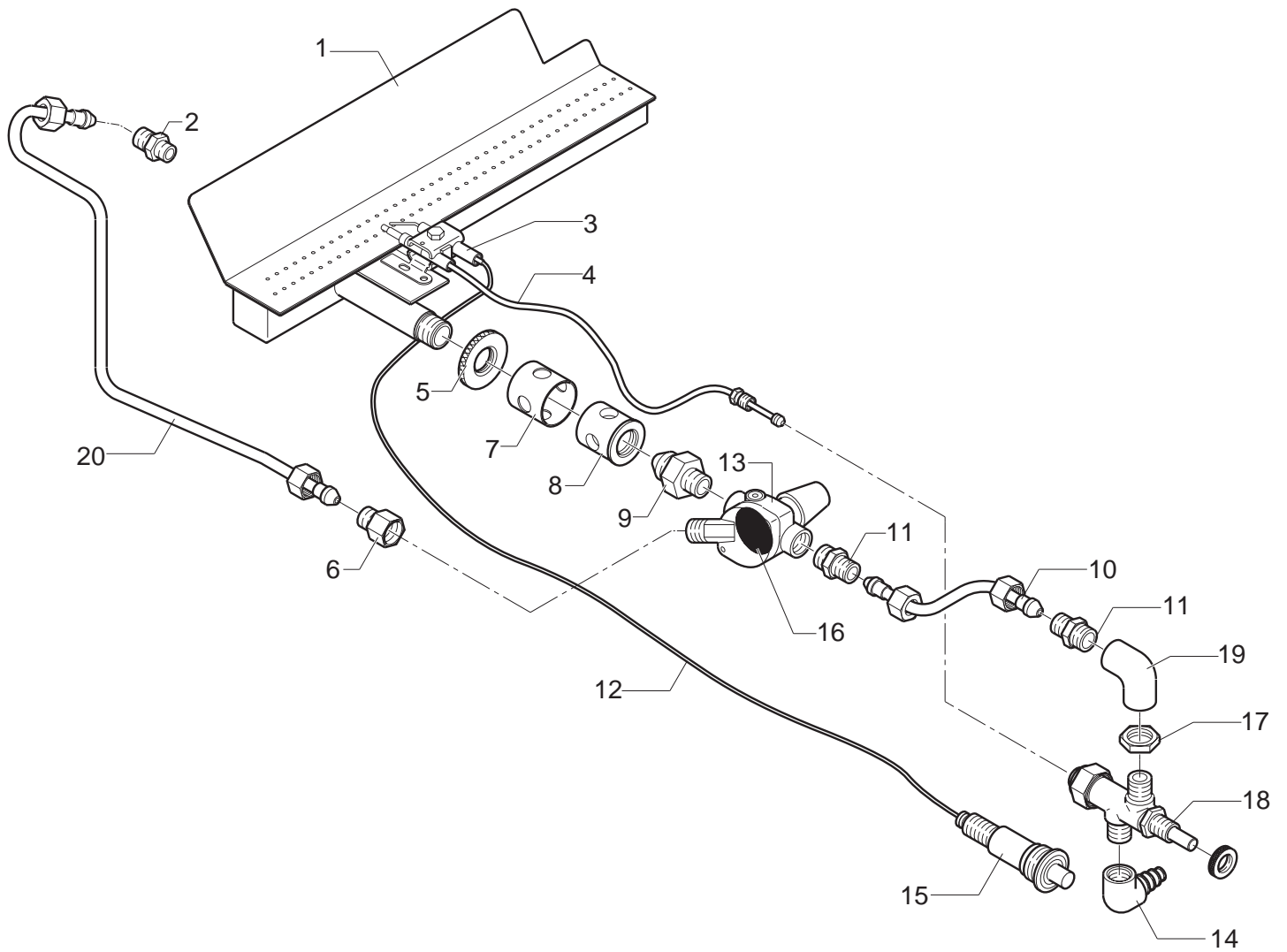


POS	DESCRIPTION	CODE	REFERENCE
01	ASSEMBLY BURNER 1GR	5343056LL.....	-
02	RING NUT 3/8"G H4 OT	5222808.....	T 1459
03	EXTERNAL INTAKE AIR PASSAGE D28 X 25.5	5220602.....	T 1458
04	INTERNAL INTAKE AIR PASSAGE D26 X 27 OT	5220601.....	T 1457
05	JET 1/4"G H32 OT	5223009.....	T 1465
06	GAS RG10 REGULATOR	7402410.....	T 1454
07	UNION ELBOW M12 X 1/4"GAS.....	5301512.....	-
08	REGULATOR-JET HOSE.....	5162200LL.....	-
09	STRAIGHT FITTING M12 X 1/4"G H24 OT	5302009.....	F 1031
10	UNION ELBOW 1/4"G	5301518.....	T/6 1520
11	NUT 1/4"G H5 OT	5221821.....	T 1498
12	INLET GAS HOSE 1GR	5162173LL.....	-
13	VALVE M1 WITH RING NUT	7403601.....	T/6 1518
14	THERMOCOUPLE	7403001.....	T/6 1517
15	PIEZO IGNITION WITH NUT	7400302.....	T/6 1513
16	GROUP FRONTAL 1GR	5094355LW.....	-
17	RUBBER-HOLDER 1/4" D12 OT.....	5224405.....	T 1475
18	BOILER-REGULATOR HOSE 1GR LEVER.....	5162171LL.....	-
19	REDUCTION GEAR 1/4"G X M12 ES.16 H22 OT	5302029.....	F 766
20	STRAIGHT FITTING M12 X M10 OT	5302010.....	F 683
21	CANDLE	7400301.....	T/6 1511
22	ELECTRIC CABLE	7401205.....	T/6 1512
23	SCREW TTEI M4X12.....	7819901.....	F 1700





POS	DESCRIPTION	CODE	REFERENCE
01	ASSEMBLY BURNER 2GR.....	5343041LL.....	-
01	ASSEMBLY BURNER 3GR.....	5343042LL.....	-
01	ASSEMBLY BURNER 4GR.....	5343043LL.....	-
02	STRAIGHT FITTING M12 X M10 OT.....	5302010.....	F 683
03	CANDLE.....	7400301.....	T/6 1511
04	THERMOCOUPLE.....	7403001.....	T/6 1517
05	RING NUT 3/8"G H4 OT.....	5222808.....	T 1459
06	REDUCTION GEAR 1/4"G X M12 ES.16 H22 OT.....	5302029.....	F 766
07	EXTERNAL INTAKE AIR PASSAGE D28 X 25.5.....	5220602.....	T 1458
08	INTERNAL INTAKE AIR PASSAGE D26 X 27 OT.....	5220601.....	T 1457
09	JET 1/4"G H32 OT.....	5223009.....	T 1465
10	REGULATOR-JET HOSE 2-3-4GR.....	5162103LL.....	06.16.00.831
11	STRAIGHT FITTING M12 X 1/4"G H24 OT.....	5302009.....	F 1031
12	ELECTRIC CABLE.....	7401205.....	T/6 1512
13	GAS RG10 REGULATOR.....	7402410.....	T 1454
14	RUBBER-HOLDER 1/4" D12 OT.....	5224405.....	T 1475
15	PIEZO IGNITION WITH NUT.....	7400302.....	T/6 1513
16	REGULATOR MEMBRANE.....	7493007.....	T 1466
17	NUT 1/4"G H5 OT.....	5221821.....	T 1498
18	VALVE M1 WITH RING NUT.....	5965085.....	-
19	UNION ELBOW 1/4"G.....	5301518.....	T/6 1520
20	COMPLETE BOILER-REGULATOR HOSE 2GR LEVER.....	5162089LL.....	06.16.00.002

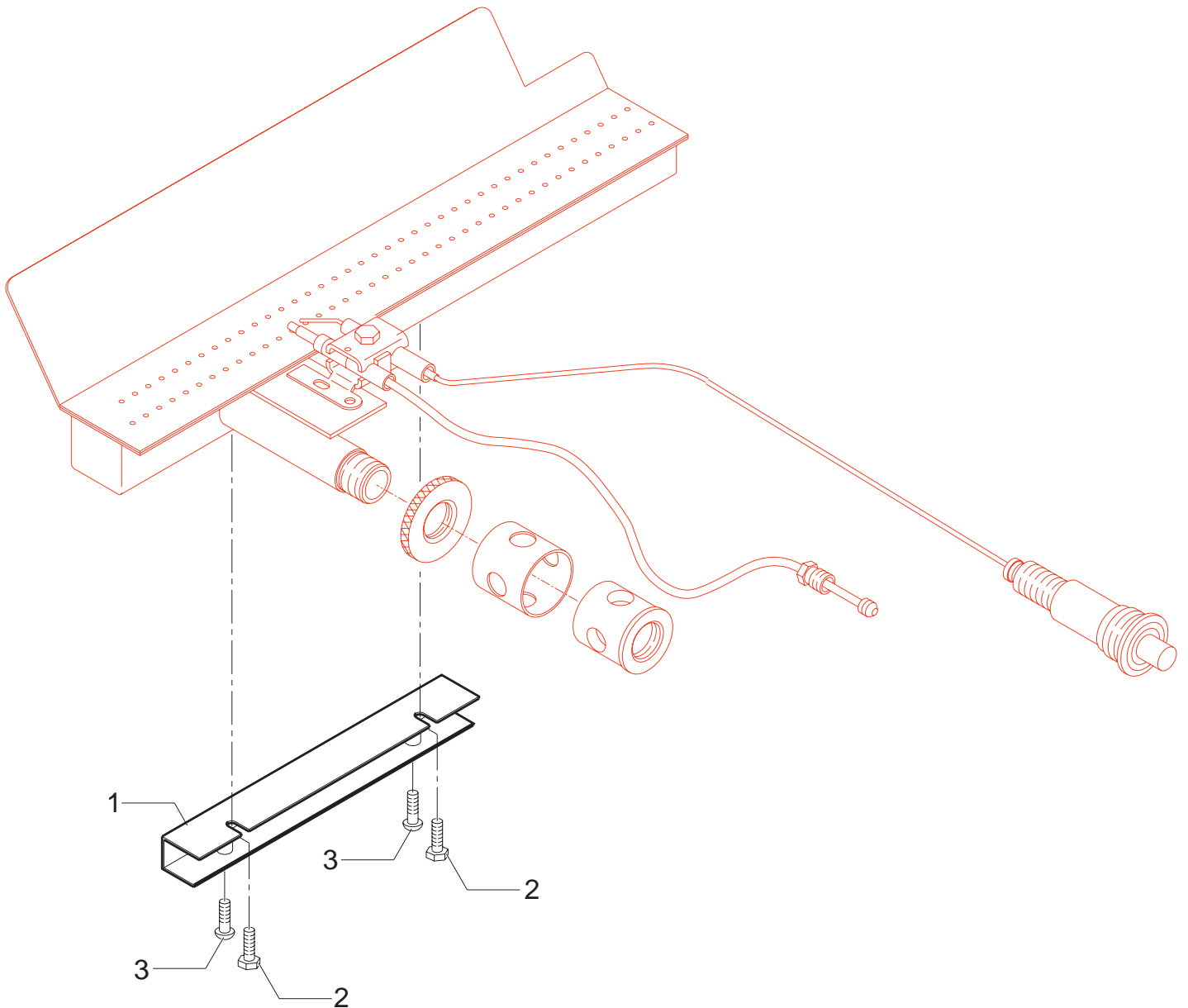




BEZZERA
dal 1901

Tav. RG10 2-3-4 Gr.

POS	DESCRIPTION	CODE	REFERENCE
01	SUPPORT	5058113LL.....	-
02	SCREW TE M4X10 UNI 5739 A2	7816404.....	F 1376
03	SCREW TTEI M4X12.....	7819901.....	F 1700

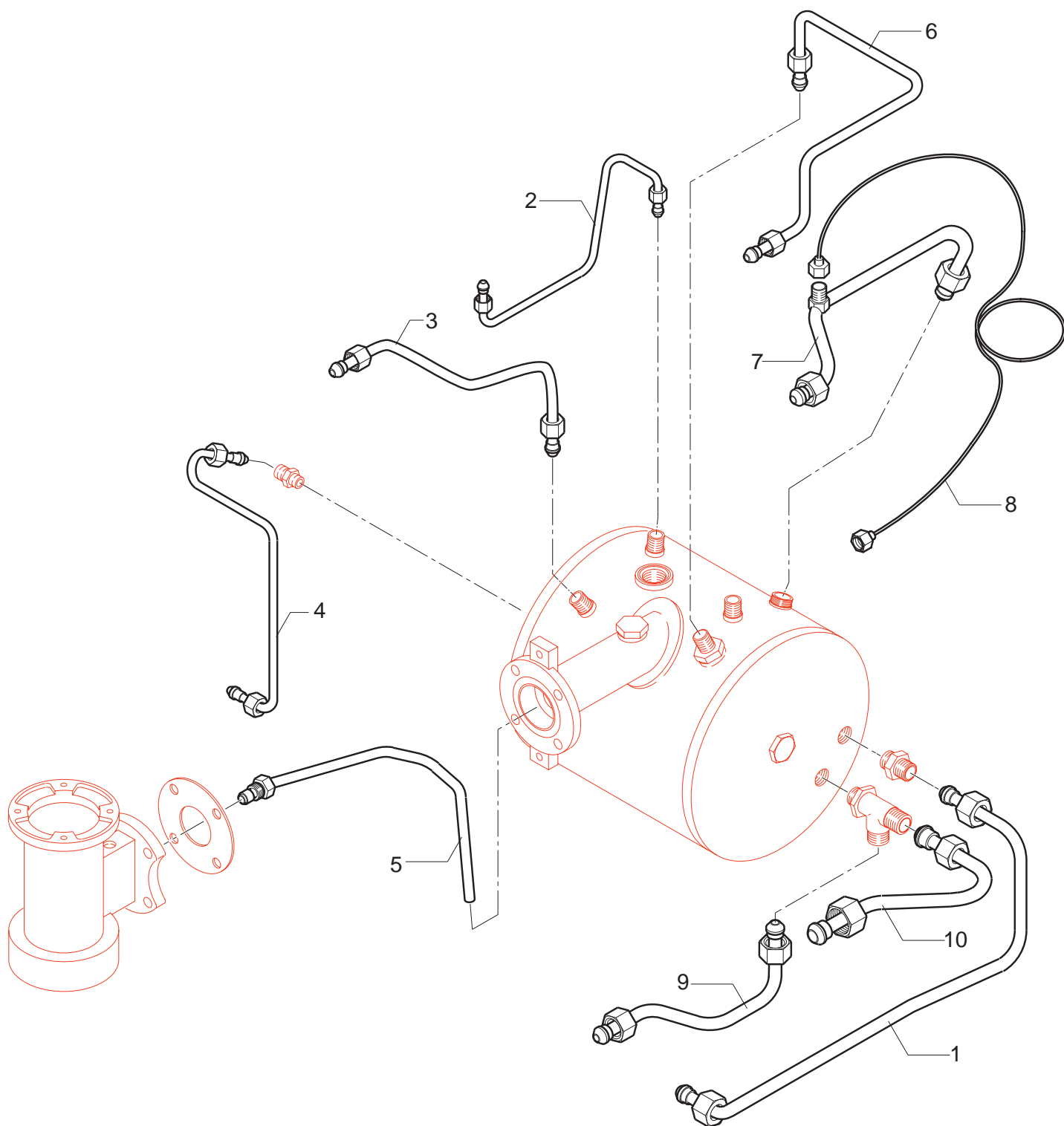




BEZZERA
dal 1901

1 Gr. hose series

POS	DESCRIPTION	CODE	REFERENCE
01	INLET LOAD BOILER HOSE	5164032LL.....	06.16.00.141
02	COMPLETE HOSE FOR PRESSOSTAT	5162001LL.....	06.16.00.718
03	COMPLETE LEFT STEAM TAP HOSE 3-4GR	5163003LL.....	06.16.00.738
04	BOILER-REGULATOR HOSE 1GR LEVER.....	5162171LL.....	-
05	SUCTION HOSE	5163108LL.....	06.16.00.834
06	WATER TAP HOSE	5163164LL.....	
07	UPPER LEVEL HOSE	5164046LL.....	06.16.00.152
08	PRESSURE GAUGE CAPILLARY FOR LEVER-OPERATED MACHINES	7400901LL.....	-
09	BOILER DRAIN HOSE.....	5164059LL.....	-
10	BOTTOM LEVEL HOSE.....	5164048LL.....	06.16.00.830

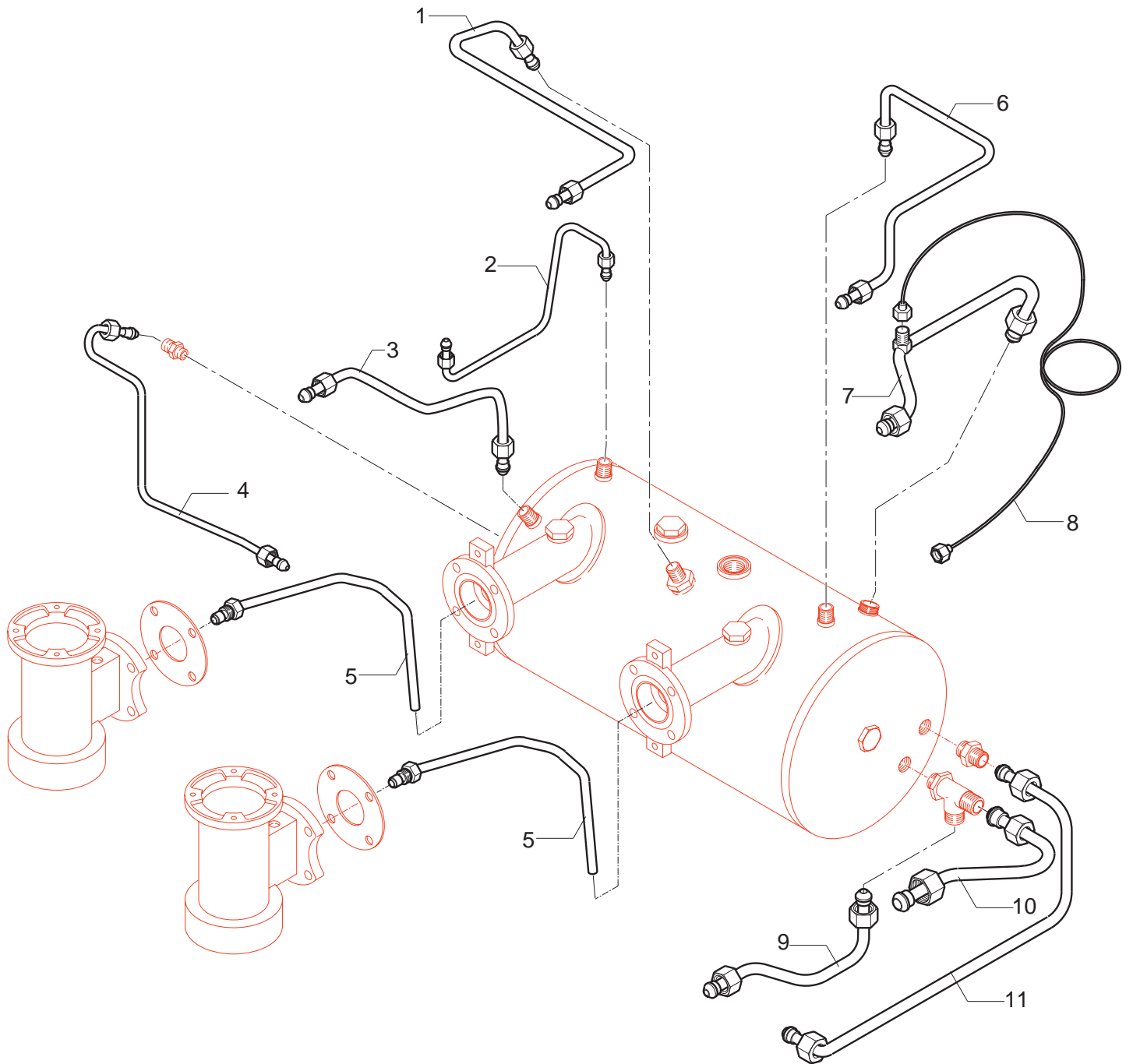




BEZZERA
dal 1901

2 Gr. hose series

POS	DESCRIPTION	CODE	REFERENCE
01	WATER TAP HOSE	5163107LL.....	06.16.00.833
02	COMPLETE HOSE FOR PRESSOSTAT	5162001LL.....	06.16.00.718
03	COMPLETE LEFT STEAM TAP HOSE 3-4GR	5163003LL.....	06.16.00.738
04	COMPLETE BOILER-REGULATOR HOSE 2GR LEVER	5162089LL.....	06.16.00.002
05	SUCTION HOSE	5163108LL.....	06.16.00.834
06	COMPLETE RIGHT STEAM TAP HOSE 2-3-4GR.....	5163004LL.....	06.16.00.731
07	UPPER LEVEL HOSE	5164046LL.....	06.16.00.152
08	PRESSURE GAUGE CAPILLARY FOR LEVER-OPERATED MACHINES	7400901LL.....	-
09	BOILER DRAIN HOSE.....	5164047LL.....	06.16.00.829
10	BOTTOM LEVEL HOSE.....	5164048LL.....	06.16.00.830
11	INLET LOAD BOILER HOSE	5164032LL.....	06.16.00.141

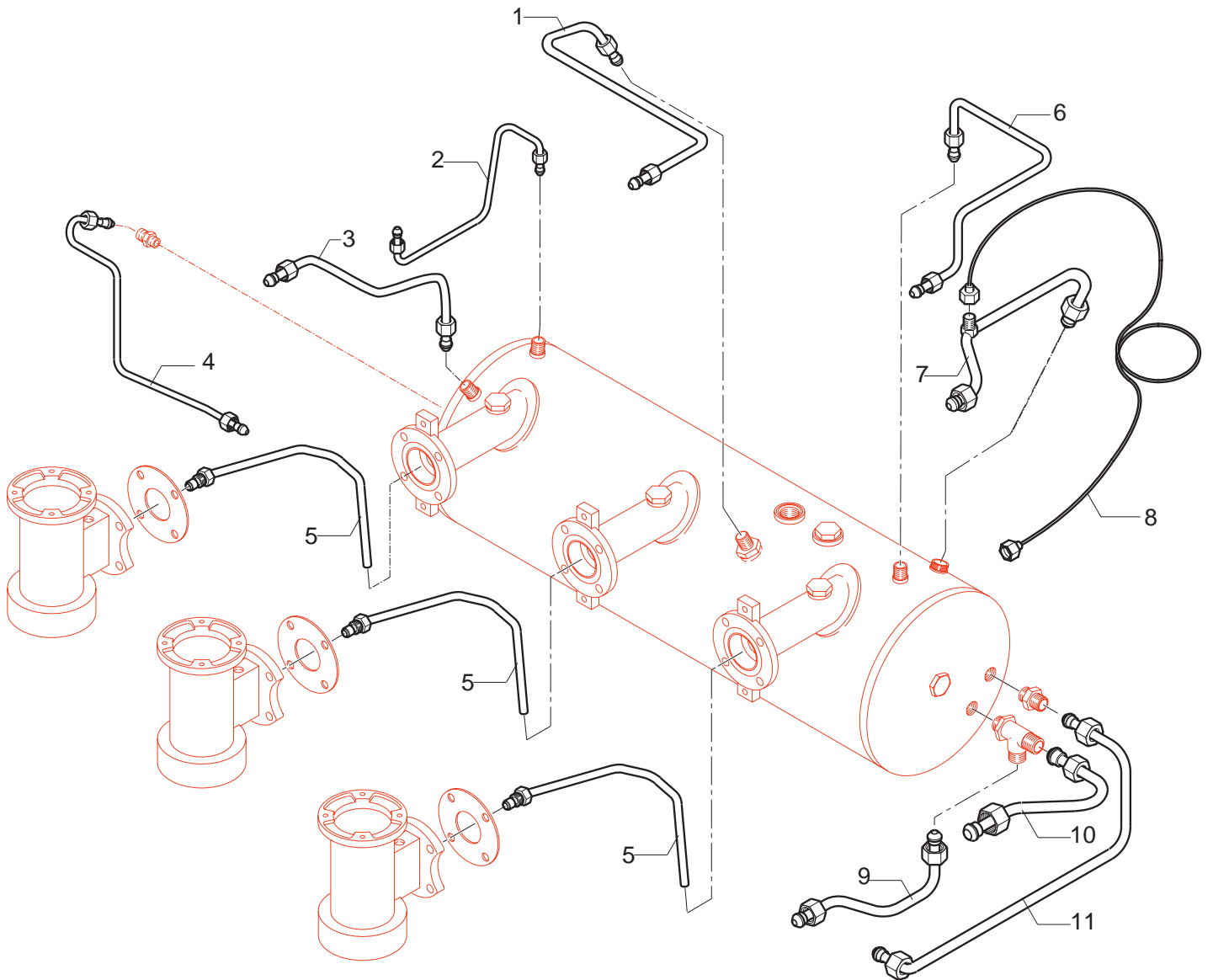




BEZZERA
dal 1901

3 Gr. hose series

POS	DESCRIPTION	CODE	REFERENCE
01	WATER TAP HOSE	5163107LL.....	06.16.00.833
02	COMPLETE HOSE FOR PRESSOSTAT	5162001LL.....	06.16.00.718
03	COMPLETE LEFT STEAM TAP HOSE 3-4GR	5163003LL.....	06.16.00.738
04	COMPLETE BOILER-REGULATOR HOSE 2GR LEVER	5162089LL.....	06.16.00.002
05	SUCTION HOSE	5163108LL.....	06.16.00.834
06	COMPLETE RIGHT STEAM TAP HOSE 2-3-4GR.....	5163004LL.....	06.16.00.731
07	UPPER LEVEL HOSE	5164046LL.....	06.16.00.152
08	PRESSURE GAUGE CAPILLARY FOR LEVER-OPERATED MACHINES	7400901LL.....	-
09	BOILER DRAIN HOSE.....	5164047LL.....	06.16.00.829
10	BOTTOM LEVEL HOSE.....	5164048LL.....	06.16.00.830
11	INLET LOAD BOILER HOSE	5164032LL.....	06.16.00.141





BEZZERA
dal 1901

4 Gr. hose series

POS	DESCRIPTION	CODE	REFERENCE
01	WATER TAP HOSE	5163135LL.....	06.16.00.858
02	COMPLETE HOSE FOR PRESSOSTAT	5162001LL.....	06.16.00.718
03	COMPLETE LEFT STEAM TAP HOSE 3-4GR	5163003LL.....	06.16.00.738
04	COMPLETE BOILER-REGULATOR HOSE 2GR LEVER	5162089LL.....	06.16.00.002
05	SUCTION HOSE	5163108LL.....	06.16.00.834
06	COMPLETE RIGHT STEAM TAP HOSE 2-3-4GR.....	5163004LL.....	06.16.00.731
07	UPPER LEVEL HOSE	5164046LL.....	06.16.00.152
08	PRESSURE GAUGE CAPILLARY FOR LEVER-OPERATED MACHINES	7400901LL.....	-
09	BOILER DRAIN HOSE.....	5164047LL.....	06.16.00.829
10	BOTTOM LEVEL HOSE.....	5164048LL.....	06.16.00.830
11	INLET LOAD BOILER HOSE	5164032LL.....	06.16.00.141

