

CUCINE A GAS Serie 900

TIPO: 9PC/G400, 9PC/G800, 9PC/G120, 9PC/G160, 9PCV/G400, 9PCV/G800, 9PCV/G120,
9PCV/G160, 9PCF/G800, 9PCF/G120, 9PCF/G160, 9PCF/GE800, 9PCF/GE120,
9PCF/GE160, 9PC/G411, 9PC/G811, 9PC/G121, 9PC/G161, 9PCV/G411, 9PCV/G811,
9PCV/G121, 9PCV/G161, 9PCF/G811, 9PCF/G121, 9PCF/G161, 9PCF/GE811,
9PCF/GE121, 9PCF/GE161

Ricambi



9. Parti di ricambio

| | |
|---|-----------|
| Parti esterne fuochi e armadio caldo.. | 71 |
| Parti esterne forno gas ed elettrico | 73 |
| Bruciatori e condutture fuochi aperti. | 75 |
| Bruciatori e condutture fuochi aperti. | 77 |
| Rubinetto..... | 79 |
| Componenti forno a gas | 81 |
| Componenti forno elettrico e armadio caldo | 83 |
| Componenti accensione elettrica..... | 85 |

9.1 Codici di voltaggio

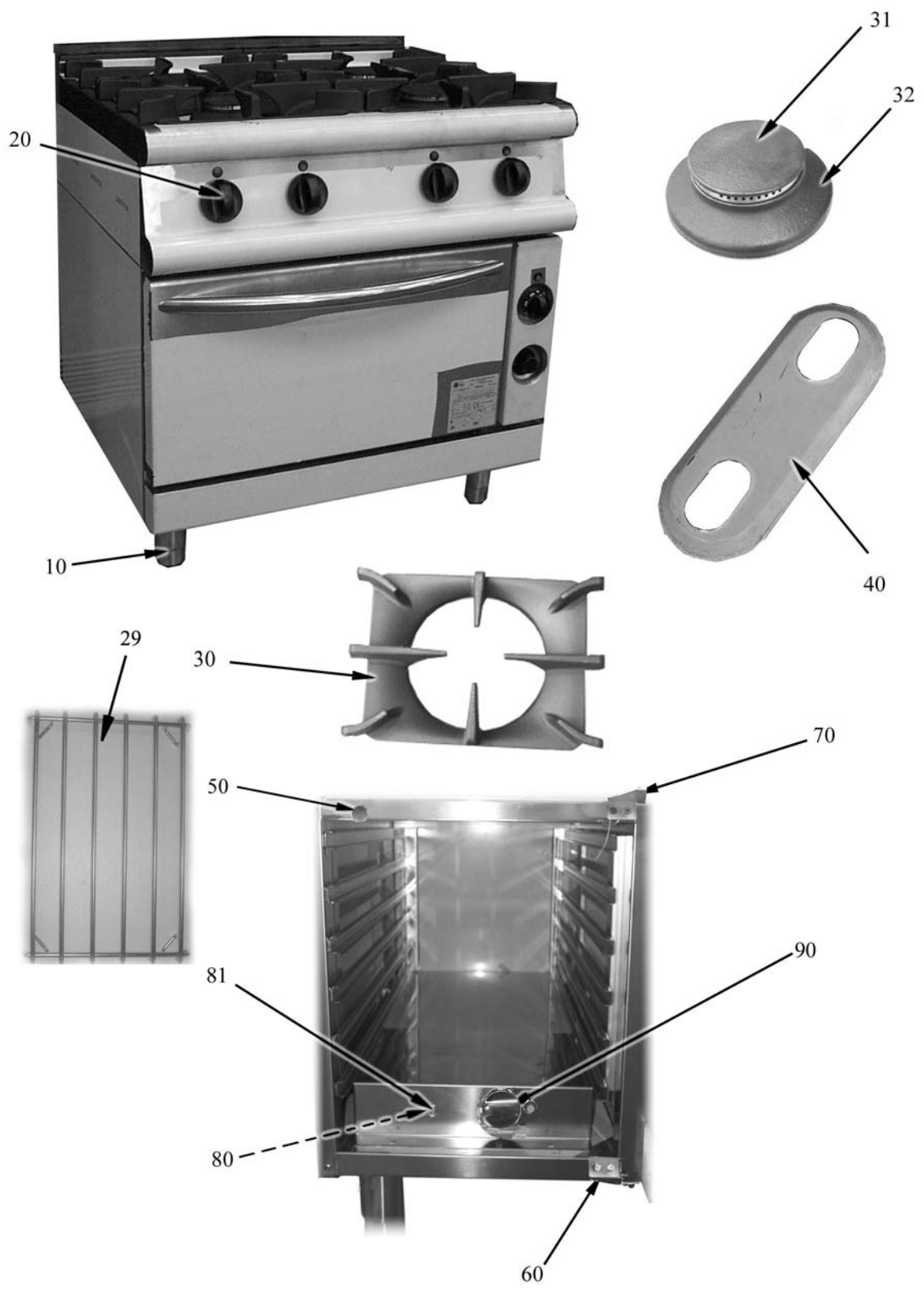
| Voltaggio | Codice di voltaggio |
|-----------|----------------------|
| A | 3/N/PE~400/230V 50Hz |
| B | ~250V 16A 50Hz |
| C | 3/N/PE~380/220V 50Hz |
| D | 3/PE~200V 50-60Hz |
| F | 2/PE 220-240V 50Hz |
| G | 3/N/PE~415/240V 50Hz |
| H | 3/PE~230V 50Hz |
| I | 3/PE~220V 60Hz |
| J | 3/PE~380 50Hz |
| K | 3/PE~400V 50Hz |
| L | 3/PE~415V 50Hz |
| M | 3/PE~440V 60Hz |
| N | 3/PE~460V 60Hz |
| O | 3/PE~480V 60Hz |
| P | 1/N/PE~220-240V 50Hz |
| R | 2/PE~220-230V 60Hz |
| S | 3/N/PE~400/230V 50Hz |
| T | 3/PE~230V 60Hz |
| U | 1/N/PE~100V 50-60Hz |

9.2 Codici dei prodotti

| Codici del prodotto | Nome completo |
|---------------------|---------------|
| Codici dei modelli | |
| Codici dei tipi | |
| 400G | 9PC/G400 |
| 800G | 9PC/G800 |
| 120G | 9PC/G120 |
| 160G | 9PC/G160 |
| 400VG | 9PCV/G400 |
| 800VG | 9PCV/G800 |
| 120VG | 9PCV/G120 |
| 160VG | 9PCV/G160 |
| 800FG | 9PCF/G800 |
| 120FG | 9PCF/G120 |
| 160FG | 9PCF/G160 |
| 800FGE | 9PCF/GE800 |
| 120FGE | 9PCF/GE120 |
| 160FGE | 9PCF/GE160 |
| 411G | 9PC/G411 |
| 811G | 9PC/G811 |
| 121G | 9PC/G121 |

Parti di ricambio

| Codici del prodotto | Nome completo |
|------------------------|---------------|
| 161G | 9PC/G161 |
| 411VG | 9PCV/G411 |
| 811VG | 9PCV/G811 |
| 121VG | 9PCV/G121 |
| 161VG | 9PCV/G161 |
| 811FG | 9PCF/G811 |
| 121FG | 9PCF/G121 |
| 161FG | 9PCF/G161 |
| 811FGE | 9PCF/GE811 |
| 121FGE | 9PCF/GE121 |
| 161FGE | 9PCF/GE161 |
| Codici degli accessori | |

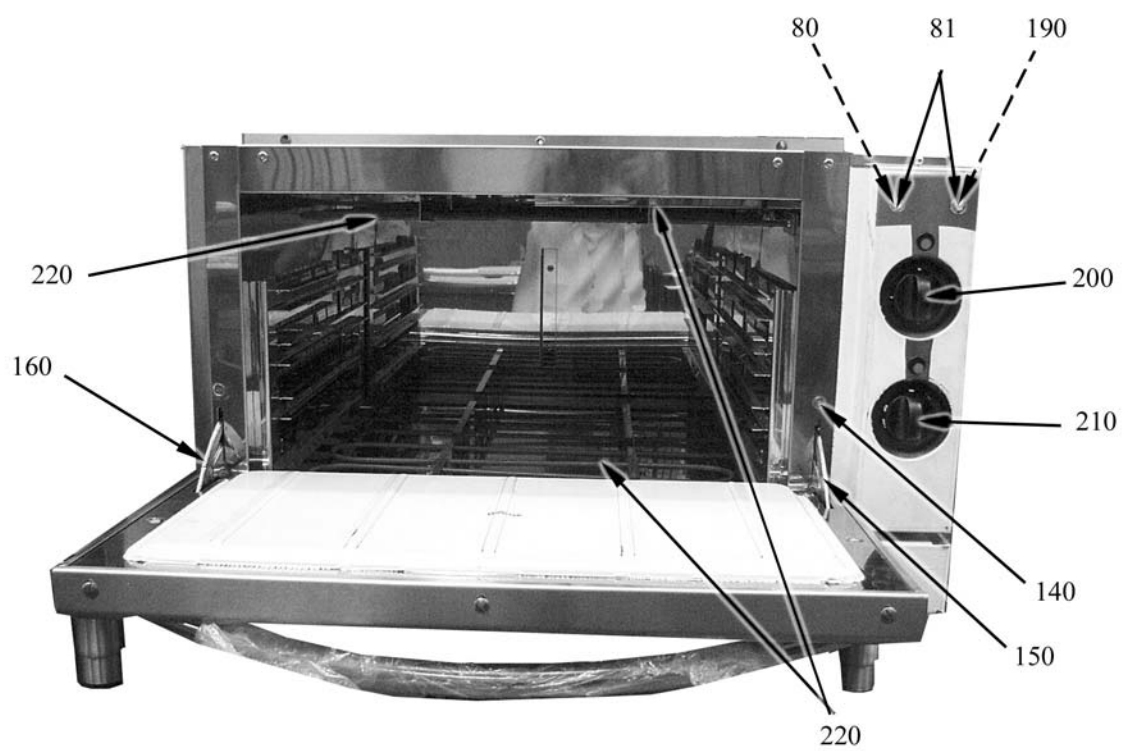


Parti di ricambio

| ID | Modello | Tipo | Voltaggio | Descrizione | Codici del produttore |
|---|---------|---|-----------|--|-----------------------|
| Module: Parti esterne fuochi e armadio caldo | | | | | |
| 10 | | | | Piedino | 826490142 |
| 20 | | | | Manopola cucina gas nera | 824710100 |
| 29 | | | | Griglia bifuoco inox | 8266330180 |
| 30 | | | | Griglia smaltata | 41822410390 |
| 31 | | | | Bruciatore (spartifiamma piccolo) | 822410071 |
| 31 | | | | Bruciatore (spartifiamma medio) | 822410081 |
| 32 | | | | Corpo Bruciatore piccolo | 822410041 |
| 32 | | | | Corpo Bruciatore medio | 822410051 |
| 31 | | 800G,800VG,800FG,800FGE,120G,120VG,120FG,120FGE,160G,160VG,160FG,160FGE,811G,811VG,811FG,811FGE,121G,121VG,121FG,121FGE,161G,161VG,161FG,161FGE | | Bruciatore (spartifiamma "E") 7kW | 822410091 |
| 32 | | 800G,800VG,800FG,800FGE,120G,120VG,120FG,120FGE,160G,160VG,160FG,160FGE,811G,811VG,811FG,811FGE,121G,121VG,121FG,121FGE,161G,161VG,161FG,161FGE | | Bruciatore (bicchiere "E") | 822410061 |
| 40 | | | | Chisura superiore | 821530110 |
| 40 | | | | Chisura superiore N9pc | 821530130 |
| 50 | | 120FG,120FGE,121FG,121FGE | | Magnete | 826900011 |
| 60 | | 120FG,120FGE,121FG,121FGE | | Cerniera inferiore dx/superiore sx porta | 418S2547870 |
| 70 | | 120FG,120FGE,121FG,121FGE | | Cerniera inferiore sx/superiore dx porta | 418S2547860 |
| 80 | | 800FGE,120FGE,160FGE,811FGE,121FGE | | Segnalatore luminoso verde | 826650050 |
| 81 | | 800FGE,120FGE,160FGE,811FGE,121FGE | | Gemma bianca | 6A039207 |

400G=9PC/G400, 800G=9PC/G800, 120G=9PC/G120, 160G=9PC/G160, 400VG=9PCV/G400, 800VG=9PCV/G800, 120VG=9PCV/G120, 160VG=9PCV/G160, 800FG=9PCF/G800,120FG=9PCF/G120,160FG=9PCF/G160, 800FGE=9PCF/GE800, 120FGE=9PCF/GE120, 160FGE=9PCF/GE160, 411G=9PC/G411, 811G=9PC/G811, 121G=9PC/G121, 161G=9PC/G161, 411VG=9PCV/G411, 811VG=9PCV/G811, 121VG=9PCV/G121, 161VG=9PCV/G161, 811FG=9PCF/G811, 121FG=9PCF/G121, 161FG=9PCF/G161, 811FGE=9PCF/GE811, 121FGE=9PCF/GE121, 161FGE=9PCF/GE161

A=3/N/PE~400/230V 50Hz, H=3/PE~230V 50Hz, P=1/N/PE~220-240V 50Hz

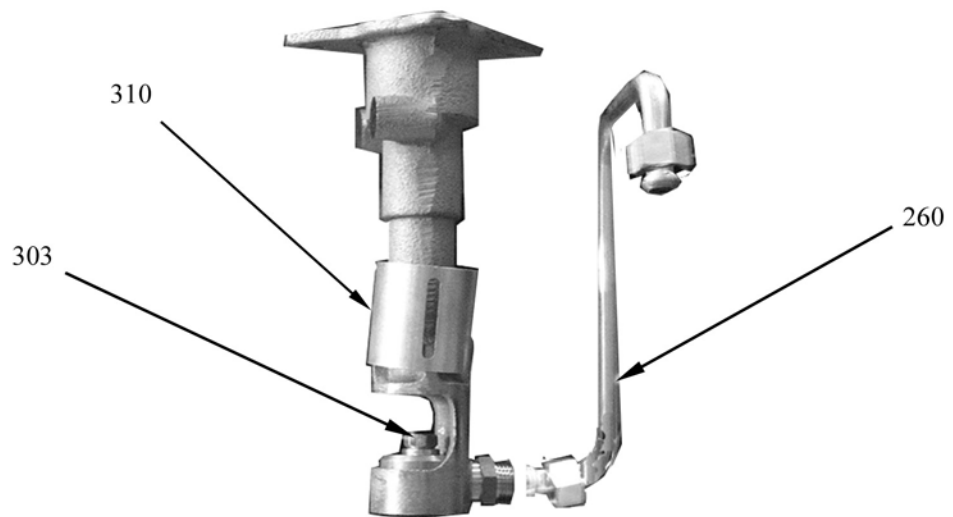
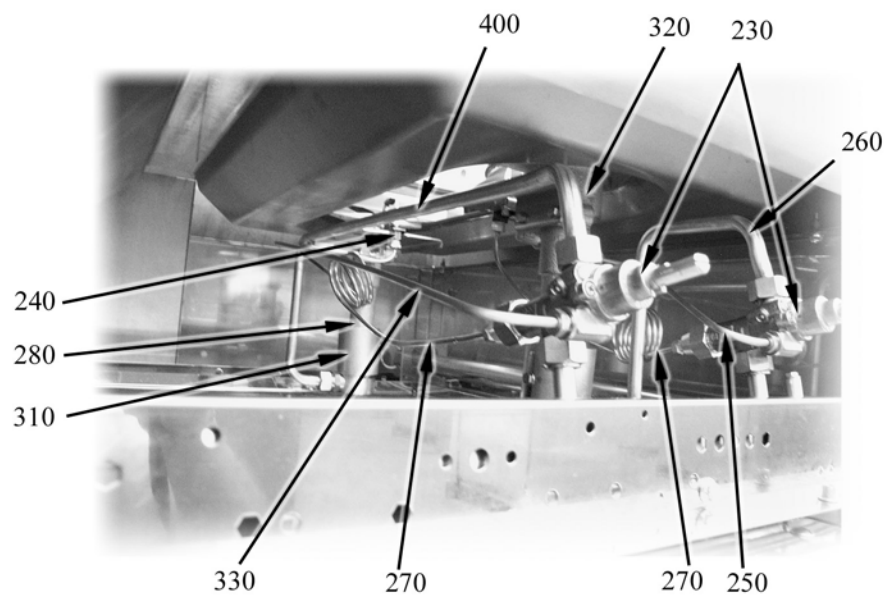


Parti di ricambio

| ID | Modello | Tipo | Voltaggio | Descrizione | Codici del produttore |
|---|---------|---|-----------|--------------------------------------|-----------------------|
| Module: Parti esterne forno gas ed elettrico | | | | | |
| 80 | | 800FGE,120FGE,160FGE,811FGE,121FGE | | Segnalatore luminoso verde | 826650050 |
| 81 | | 800FGE,120FGE,160FGE,811FGE,121FGE | | Gemma bianca | 6A039207 |
| 100 | | 800FG,120FG,160FG,811FG,121FG,161FG | | Manopola nera per forno | 824710110 |
| 110 | | 800FG,120FG,160FG,811FG,121FG,161FG | | Accensione piezoelettrica | 41826630020 |
| 120 | | 800FG,120FG,160FG,811FG,121FG,161FG | | Rondella | 822160540 |
| 130 | | 800FG,120FG,160FG,811FG,121FG,161FG | | Cappuccio | 826630420 |
| 140 | | 800FG,120FG,160FG,800FGE,120FGE,160FGE,811FG,121FG,161FG,811FGE,121FGE,161FGE | | Portarullini per cerniera | 6A035930 |
| 150 | | 800FG,120FG,160FG,800FGE,120FGE,160FGE,811FG,121FG,161FG,811FGE,121FGE,161FGE | | Cerniera dx | 6A035910 |
| 160 | | 800FG,120FG,160FG,800FGE,120FGE,160FGE,811FG,121FG,161FG,811FGE,121FGE,161FGE | | Cerniera sx | 6A035920 |
| 170 | | 800FG,120FG,160FG,800FGE,120FGE,160FGE,811FG,121FG,161FG,811FGE,121FGE,161FGE | | Suola forno | 822420010 |
| 180 | | 800FG,120FG,160FG,800FGE,120FGE,160FGE,811FG,121FG,161FG,811FGE,121FGE,161FGE | | Griglia | 826330020 |
| 190 | | 800FGE,120FGE,160FGE,811FGE,121FGE,161FGE | | Segnalatore luminoso arancio | 6A038506 |
| 200 | | 800FGE,120FGE,160FGE,811FGE,121FGE,161FGE | | Manopola commutatore forno elettrico | 824710710 |
| 210 | | 800FGE,120FGE,160FGE,811FGE,121FGE,161FGE | | Manopola forno elettrico nera | 824710270 |
| 220 | | 800FGE,120FGE,160FGE,811FGE,121FGE,161FGE | | Resistenza 1500 W | 826620041 |

400G=9PC/G400, 800G=9PC/G800, 120G=9PC/G120, 160G=9PC/G160, 400VG=9PCV/G400, 800VG=9PCV/G800, 120VG=9PCV/G120, 160VG=9PCV/G160, 800FG=9PCF/G800, 120FG=9PCF/G120, 160FG=9PCF/G160, 800FGE=9PCF/GE800, 120FGE=9PCF/GE120, 160FGE=9PCF/GE160, 411G=9PC/G411, 811G=9PC/G811, 121G=9PC/G121, 161G=9PC/G161, 411VG=9PCV/G411, 811VG=9PCV/G811, 121VG=9PCV/G121, 161VG=9PCV/G161, 811FG=9PCF/G811, 121FG=9PCF/G121, 161FG=9PCF/G161, 811FGE=9PCF/GE811, 121FGE=9PCF/GE121, 161FGE=9PCF/GE161

A=3/N/PE~400/230V 50Hz, H=3/PE~230V 50Hz, P=1/N/PE~220-240V 50Hz

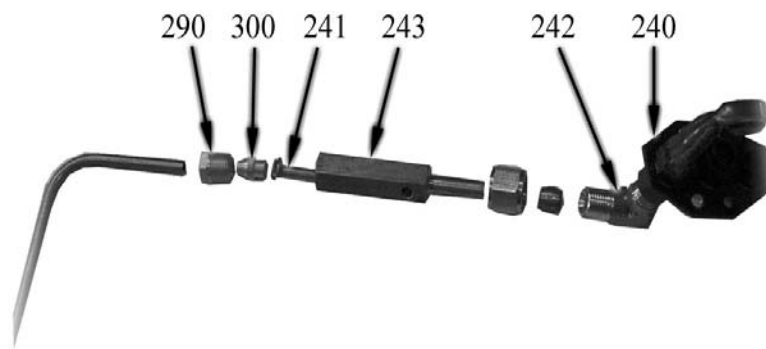


Parti di ricambio

| ID | Modello | Tipo | Voltaggio | Descrizione | Codici del produttore |
|--|---------|---|-----------|-----------------------------|-----------------------|
| Module: Bruciatori e condutture fuochi aperti | | | | | |
| 230 | | | | Rubinetto | 6A011490 |
| 240 | | | | Pilota | 41826920140 |
| 250 | | | | Conduttura Rub./Pil. ant. | 823561321 |
| 260 | | | | Conduttura Rub./Bruc. ant | 823561300 |
| 270 | | | | Termocoppia | 826920080 |
| 280 | | | | Venturi piccolo | 822410012 |
| 303 | | | | Ugello L 80 | 822140270 |
| 303 | | | | Ugello L 105 | 822140150 |
| 303 | | | | Ugello L 95 | 822140140 |
| 303 | | | | Ugello L 120 | 822140160 |
| 303 | | | | Ugello 145 | 822140040 |
| 303 | | | | Ugello 180 | 822140210 |
| 303 | | | | Ugello 155 | 822140190 |
| 303 | | | | Ugello 200 | 822140220 |
| 303 | | | | Ugello 135 | |
| 303 | | | | Ugello 115 | |
| 303 | | | | Ugello 225 | |
| 310 | | | | Regolatore d'aria | 822120020 |
| 320 | | | | Venturi medio | 822410022 |
| 321 | | | | Venturi piccolo | 822410012 |
| 322 | | 800G,800VG,800FG,800FGE,120G,120VG,120FG,120FGE,160G,160VG,160FG,160FGE,811G,811VG,811FG,811FGE,121G,121VG,121FG,121FGE,161G,161VG,161FG,161FGE | | Venturi grande | 822410032 |
| 330 | | | | Conduttura Rub./Pil. post. | 823561331 |
| 400 | | | | Conduttura Rub./Bruc. Post. | 823561310 |

400G=9PC/G400, 800G=9PC/G800, 120G=9PC/G120, 160G=9PC/G160, 400VG=9PCV/G400, 800VG=9PCV/G800, 120VG=9PCV/G120, 160VG=9PCV/G160, 800FG=9PCF/G800, 120FG=9PCF/G120, 160FG=9PCF/G160, 800FGE=9PCF/GE800, 120FGE=9PCF/GE120, 160FGE=9PCF/GE160, 411G=9PC/G411, 811G=9PC/G811, 121G=9PC/G121, 161G=9PC/G161, 411VG=9PCV/G411, 811VG=9PCV/G811, 121VG=9PCV/G121, 161VG=9PCV/G161, 811FG=9PCF/G811, 121FG=9PCF/G121, 161FG=9PCF/G161, 811FGE=9PCF/GE811, 121FGE=9PCF/GE121, 161FGE=9PCF/GE161

A=3/N/PE~400/230V 50Hz, H=3/PE~230V 50Hz, P=1/N/PE~220-240V 50Hz

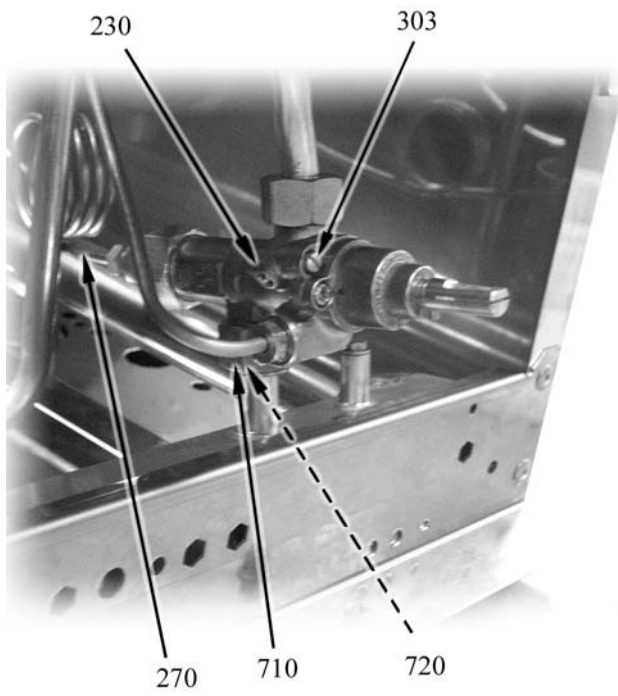


Parti di ricambio

| ID | Modello | Tipo | Voltaggio | Descrizione | Codici del produttore |
|--|---------|------|-----------|------------------------|-----------------------|
| Module: Bruciatori e condutture fuochi aperti | | | | | |
| 240 | | | | Pilota | 41826920140 |
| 241 | | | | Ugello 19 | 822140380 |
| 241 | | | | Ugello 27 | 6A013107 |
| 242 | | | | Raccordo 90 | 822450610 |
| 243 | | | | Prolunga pilota fuochi | 822160460 |
| 290 | | | | Raccordo bicono | 822450040 |
| 300 | | | | Bicono | 822450050 |

400G=9PC/G400, 800G=9PC/G800, 120G=9PC/G120, 160G=9PC/G160, 400VG=9PCV/G400, 800VG=9PCV/G800, 120VG=9PCV/G120, 160VG=9PCV/G160, 800FG=9PCF/G800, 120FG=9PCF/G120, 160FG=9PCF/G160, 800FGE=9PCF/GE800, 120FGE=9PCF/GE120, 160FGE=9PCF/GE160, 411G=9PC/G411, 811G=9PC/G811, 121G=9PC/G121, 161G=9PC/G161, 411VG=9PCV/G411, 811VG=9PCV/G811, 121VG=9PCV/G121, 161VG=9PCV/G161, 811FG=9PCF/G811, 121FG=9PCF/G121, 161FG=9PCF/G161, 811FGE=9PCF/GE811, 121FGE=9PCF/GE121, 161FGE=9PCF/GE161

A=3/N/PE~400/230V 50Hz, H=3/PE~230V 50Hz, P=1/N/PE~220-240V 50Hz

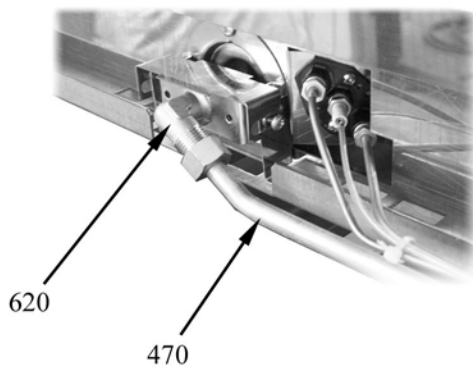
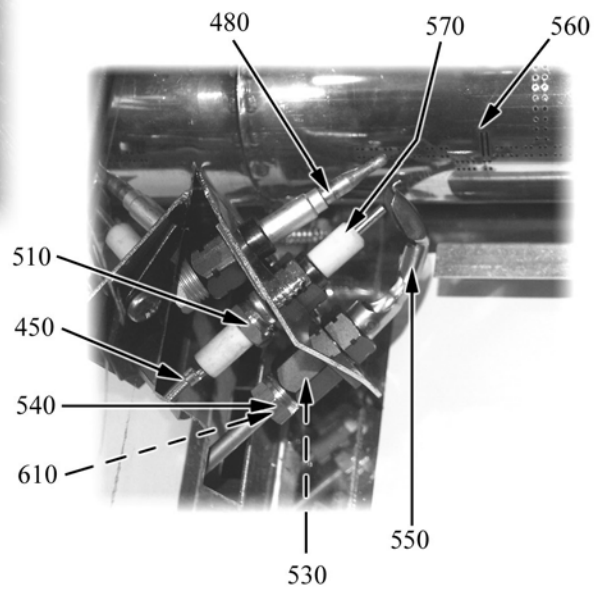
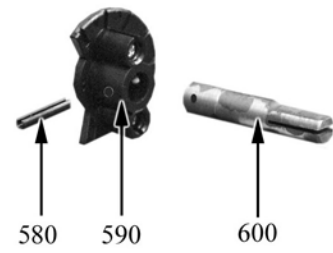
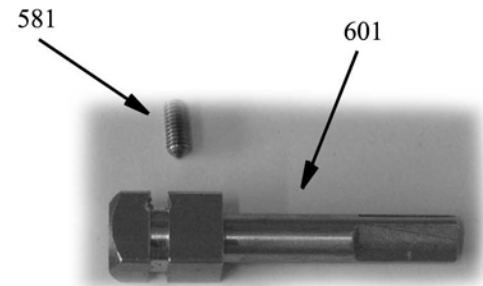
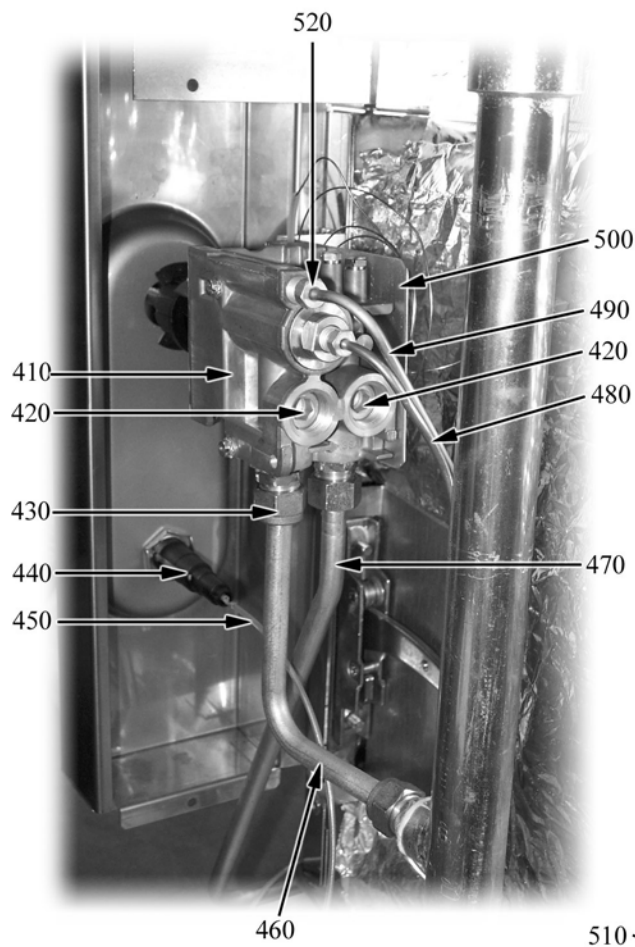


Parti di ricambio

| ID | Modello | Tipo | Voltaggio | Descrizione | Codici del produttore |
|-------------------------|---------|------|-----------|--------------------|-----------------------|
| Module:Rubinetto | | | | | |
| 230 | | | | Rubinetto | 6A011490 |
| 270 | | | | Termocoppia | 826920080 |
| 303 | | | | Vite di minimo 80 | 822450240 |
| 303 | | | | Vite di minimo 120 | 822450280 |
| 303 | | | | Vite di minimo 50 | 822450210 |
| 303 | | | | Vite di minimo 75 | 822450230 |
| 303 | | | | Vite di minimo 90 | 822450260 |
| 303 | | | | Vite di minimo 130 | 822450290 |
| 303 | | | | Vite di minimo 45 | 6A023722 |
| 303 | | | | Vite di minimo 65 | 6A023723 |
| 710 | | | | Dado | 6A011485 |
| 720 | | | | Bicono | 6A011480 |

400G=9PC/G400, 800G=9PC/G800, 120G=9PC/G120, 160G=9PC/G160, 400VG=9PCV/G400, 800VG=9PCV/G800, 120VG=9PCV/G120, 160VG=9PCV/G160, 800FG=9PCF/G800, 120FG=9PCF/G120, 160FG=9PCF/G160, 800FGE=9PCF/GE800, 120FGE=9PCF/GE120, 160FGE=9PCF/GE160, 411G=9PC/G411, 811G=9PC/G811, 121G=9PC/G121, 161G=9PC/G161, 411VG=9PCV/G411, 811VG=9PCV/G811, 121VG=9PCV/G121, 161VG=9PCV/G161, 811FG=9PCF/G811, 121FG=9PCF/G121, 161FG=9PCF/G161, 811FGE=9PCF/GE811, 121FGE=9PCF/GE121, 161FGE=9PCF/GE161

A=3/N/PE~400/230V 50Hz, H=3/PE~230V 50Hz, P=1/N/PE~220-240V 50Hz

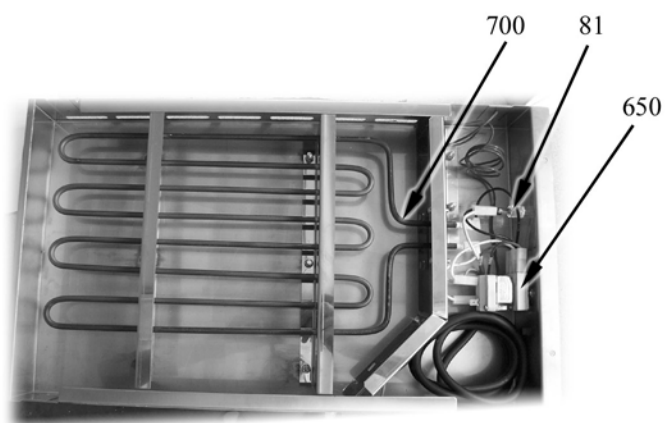
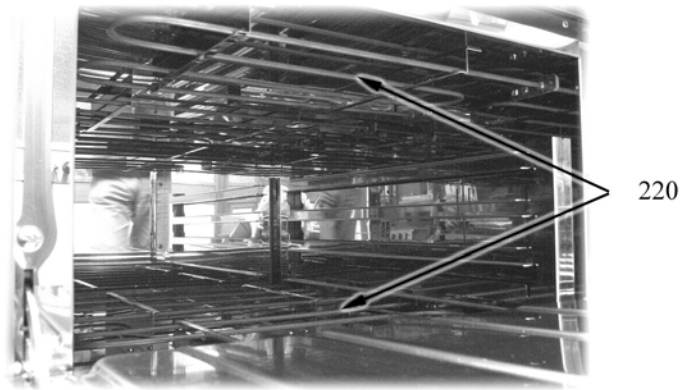
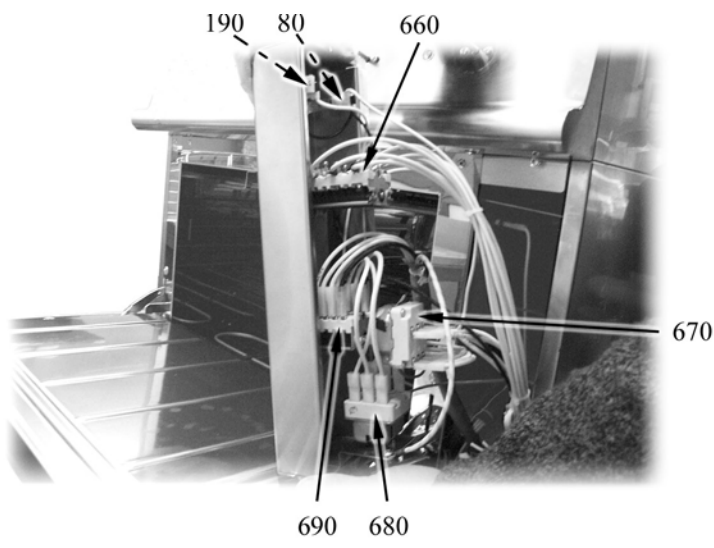


Parti di ricambio

| ID | Modello | Tipo | Voltaggio | Descrizione | Codici del produttore |
|---|---------|-------------------------------------|-----------|-------------------------------------|-----------------------|
| Module: Componenti forno a gas (valvola, regolazione aria, bruciatore) | | | | | |
| 410 | | 800FG,120FG,160FG,811FG,121FG,161FG | | Valvola | 826920012 |
| 420 | | 800FG,120FG,160FG,811FG,121FG,161FG | | Tappo | 8219951 |
| 430 | | 800FG,120FG,160FG,811FG,121FG,161FG | | Raccordo | 822450170 |
| 440 | | 800FG,120FG,160FG,811FG,121FG,161FG | | Accensione piezoelettrica | 41826630020 |
| 450 | | 800FG,120FG,160FG,811FG,121FG,161FG | | Cavo d'accensione | 2510698 |
| 460 | | 800FG,120FG,160FG,811FG,121FG,161FG | | Conduttura Valvola/Rampa | 2514615 |
| 470 | | 800FG,120FG,160FG,811FG,121FG,161FG | | Conduttura Valvola/Bruciatore forno | 823560060 |
| 480 | | 800FG,120FG,160FG,811FG,121FG,161FG | | Termocoppia | 826920080 |
| 490 | | 800FG,120FG,160FG,811FG,121FG,161FG | | Conduttura Valvola/Pilota forno | 823560070 |
| 500 | | 800FG,120FG,160FG,811FG,121FG,161FG | | Squadretta | 41821120040 |
| 510 | | 800FG,120FG,160FG,811FG,121FG,161FG | | Raccordo | 6A011707 |
| 520 | | 800FG,120FG,160FG,811FG,121FG,161FG | | Raccordo bicono | 6A011608 |
| 530 | | 800FG,120FG,160FG,811FG,121FG,161FG | | Ugello 19 | 822140380 |
| 530 | | 800FG,120FG,160FG,811FG,121FG,161FG | | Ugello 27 | 6A013107 |
| 540 | | 800FG,120FG,160FG,811FG,121FG,161FG | | Raccordo | 822450040 |
| 550 | | 800FG,120FG,160FG,811FG,121FG,161FG | | Pilota | 826920070 |
| 560 | | 800FG,120FG,160FG,811FG,121FG,161FG | | Bruciatore | 2510697 |
| 570 | | 800FG,120FG,160FG,811FG,121FG,161FG | | Candela | 6A013301 |
| 580 | | 800FG,120FG,160FG,811FG,121FG,161FG | | Spina elastica | 418227993140 |
| 581 | | 800FG,120FG,160FG,811FG,121FG,161FG | | Grano di fissaggio | 6A009190 |
| 590 | | 800FG,120FG,160FG,811FG,121FG,161FG | | Flangia | 41822160011 |
| 600 | | 800FG,120FG,160FG,811FG,121FG,161FG | | Attacco manopola | 2518650 |
| 601 | | 800FG,120FG,160FG,811FG,121FG,161FG | | Attacco manopola | 2518660 |
| 610 | | 800FG,120FG,160FG,811FG,121FG,161FG | | Bicono | 822450050 |
| 620 | | 800FG,120FG,160FG,811FG,121FG,161FG | | Raccordo | 822450010 |

400G=9PC/G400, 800G=9PC/G800, 120G=9PC/G120, 160G=9PC/G160, 400VG=9PCV/G400, 800VG=9PCV/G800, 120VG=9PCV/G120, 160VG=9PCV/G160, 800FG=9PCF/G800, 120FG=9PCF/G120, 160FG=9PCF/G160, 800FGE=9PCF/GE800, 120FGE=9PCF/GE120, 160FGE=9PCF/GE160, 411G=9PC/G411, 811G=9PC/G811, 121G=9PC/G121, 161G=9PC/G161, 411VG=9PCV/G411, 811VG=9PCV/G811, 121VG=9PCV/G121, 161VG=9PCV/G161, 811FG=9PCF/G811, 121FG=9PCF/G121, 161FG=9PCF/G161, 811FGE=9PCF/GE811, 121FGE=9PCF/GE121, 161FGE=9PCF/GE161

A=3/N/PE~400/230V 50Hz, H=3/PE~230V 50Hz, P=1/N/PE~220-240V 50Hz

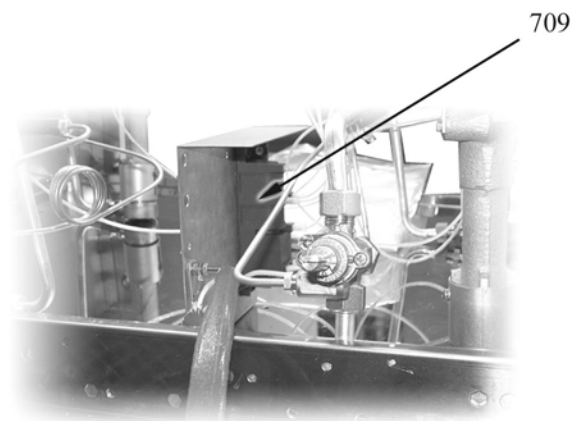
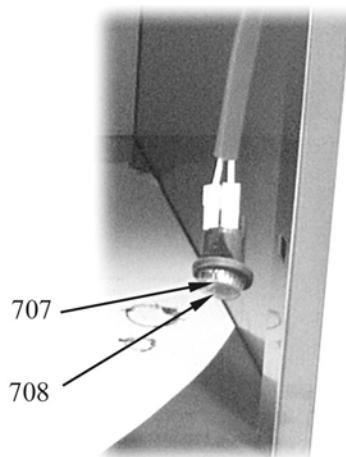
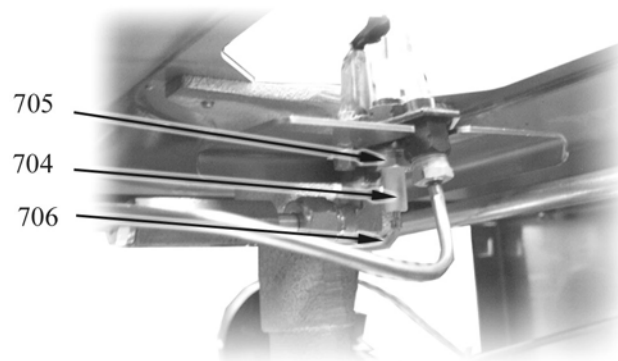


Parti di ricambio

| ID | Modello | Tipo | Voltaggio | Descrizione | Codici del produttore |
|---|---------|---|-----------|------------------------------|-----------------------|
| Module: Componenti forno elettrico e armadio caldo | | | | | |
| 80 | | 800FGE,120FGE,160FGE,811FGE,121FGE,161FGE | | Segnalatore luminoso verde | 826650050 |
| 81 | | 800FGE,120FGE,160FGE,811FGE,121FGE,161FGE | | Gemma bianca | 6A039207 |
| 190 | | 800FGE,120FGE,160FGE,811FGE,121FGE,161FGE | | Segnalatore luminoso arancio | 6A038506 |
| 220 | | 800FGE,120FGE,160FGE,811FGE,121FGE,161FGE | | Resistenza 1500 W | 826620041 |
| 660 | | 800FGE,120FGE,160FGE,811FGE,121FGE,161FGE | | Commutatore | 6A046750 |
| 670 | | 800FGE,120FGE,160FGE,811FGE,121FGE,161FGE | | Termostato | 826630123 |
| 680 | | 800FGE,120FGE,160FGE,811FGE,121FGE,161FGE | | Termostato sicurezza | 826630130 |
| 690 | | 800FGE,120FGE,160FGE,811FGE,121FGE,161FGE | | Commutatore | 6A046001 |

400G=9PC/G400, 800G=9PC/G800, 120G=9PC/G120, 160G=9PC/G160, 400VG=9PCV/G400, 800VG=9PCV/G800, 120VG=9PCV/G120, 160VG=9PCV/G160, 800FG=9PCF/G800, 120FG=9PCF/G120, 160FG=9PCF/G160, 800FGE=9PCF/GE800, 120FGE=9PCF/GE120, 160FGE=9PCF/GE160, 411G=9PC/G411, 811G=9PC/G811, 121G=9PC/G121, 161G=9PC/G161, 411VG=9PCV/G411, 811VG=9PCV/G811, 121VG=9PCV/G121, 161VG=9PCV/G161, 811FG=9PCF/G811, 121FG=9PCF/G121, 161FG=9PCF/G161, 811FGE=9PCF/GE811, 121FGE=9PCF/GE121, 161FGE=9PCF/GE161

A=3/N/PE~400/230V 50Hz, H=3/PE~230V 50Hz, P=1/N/PE~220-240V 50Hz



Parti di ricambio

| ID | Modello | Tipo | Voltaggio | Descrizione | Codici del produttore |
|---|---------|--|-----------|--------------------------|-----------------------|
| Module:Componenti accensione elettrica | | | | | |
| 702 | | 411G,411VG,811G,811VG,811FG,811FGE,121G,121VG,121FG,121FGE,161G,161VG,161FG,161FGE | | Piletta di scarico | 822160101 |
| 703 | | 411G,411VG,811G,811VG,811FG,811FGE,121G,121VG,121FG,121FGE,161G,161VG,161FG,161FGE | | Guarnizione | 824710280 |
| 704 | | 411G,411VG,811G,811VG,811FG,811FGE,121G,121VG,121FG,121FGE,161G,161VG,161FG,161FGE | | Candela | 6A013301 |
| 705 | | 411G,411VG,811G,811VG,811FG,811FGE,121G,121VG,121FG,121FGE,161G,161VG,161FG,161FGE | | Dado candela | 6A011707 |
| 706 | | 411G,411VG,811G,811VG,811FG,811FGE,121G,121VG,121FG,121FGE,161G,161VG,161FG,161FGE | | Cavo d'accensione L=600 | 826690052 |
| 706 | | 411G,411VG,811G,811VG,811FG,811FGE,121G,121VG,121FG,121FGE,161G,161VG,161FG,161FGE | | Cavo d'accensione L=1100 | 826690062 |
| 706 | | 411G,411VG,811G,811VG,811FG,811FGE,121G,121VG,121FG,121FGE,161G,161VG,161FG,161FGE | | Cavo d'accensione L=1900 | 826690550 |
| 707 | | 411G,411VG,811G,811VG,811FG,811FGE,121G,121VG,121FG,121FGE,161G,161VG,161FG,161FGE | | Tasto rosso | 826630050 |
| 708 | | 411G,411VG,811G,811VG,811FG,811FGE,121G,121VG,121FG,121FGE,161G,161VG,161FG,161FGE | | Cappuccio | 826630060 |
| 709 | | 411G,411VG,811G,811VG,811FG,811FGE,121G,121VG,121FG,121FGE,161G,161VG,161FG,161FGE | | Trasformatore | 826630400 |

400G=9PC/G400, 800G=9PC/G800, 120G=9PC/G120, 160G=9PC/G160, 400VG=9PCV/G400, 800VG=9PCV/G800, 120VG=9PCV/G120, 160VG=9PCV/G160, 800FG=9PCF/G800, 120FG=9PCF/G120, 160FG=9PCF/G160, 800FGE=9PCF/GE800, 120FGE=9PCF/GE120, 160FGE=9PCF/GE160, 411G=9PC/G411, 811G=9PC/G811, 121G=9PC/G121, 161G=9PC/G161, 411VG=9PCV/G411, 811VG=9PCV/G811, 121VG=9PCV/G121, 161VG=9PCV/G161, 811FG=9PCF/G811, 121FG=9PCF/G121, 161FG=9PCF/G161, 811FGE=9PCF/GE811, 121FGE=9PCF/GE121, 161FGE=9PCF/GE161

A=3/N/PE~400/230V 50Hz, H=3/PE~230V 50Hz, P=1/N/PE~220-240V 50Hz

