

# CUCINE A GAS

## Serie 700

TIPO: 7PC/G400, 7PCV/G400, 7PC/G800, 7PCV/G800, 7PCF/G800, 7PCF/GE800, 7PC/G120, 7PCV/G120, 7PCF/G120, 7PCF/GE120, 7PC/G160, 7PCV/G160, 7PCF/G160, 7PCF/GE160, 7PC/G411, 7PCV/G411, 7PC/G811, 7PCV/G811, 7PCF/G811, 7PCF/GE411, 7PC/G121, 7PCV/G121, 7PCF/G121, 7PCF/GE121, 7PC/G161, 7PCV/G161, 7PCF/G161, 7PCF/GE161, 7PCFL/G120, Kit riscaldante

---

## Ricambi

---





## **9. Parti di ricambio**

<b>Parti esterne fuochi e armadio caldo..</b>	<b>76</b>
<b>Parti esterne forno gas ed elettrico .....</b>	<b>78</b>
<b>Bruciatori e condutture fuochi aperti.</b>	<b>80</b>
<b>Bruciatori e condutture fuochi aperti.</b>	<b>80</b>
<b>Rubinetto.....</b>	<b>84</b>
<b>Componenti forno a gas .....</b>	<b>86</b>
<b>Comp. forno elettrico e armadio caldo</b>	<b>88</b>
<b>Componenti accensione elettrica.....</b>	<b>90</b>
<b>Componenti forno largo a gas .....</b>	<b>92</b>



## 9.1 Codici di voltaggio

Voltaggio	Codice di voltaggio
A	3/N/PE~400/230V 50Hz
B	~250V 16A 50Hz
C	3/N/PE~380/220V 50Hz
D	3/PE~200V 50-60Hz
F	2/PE 220-240V 50Hz
G	3/N/PE~415/240V 50Hz
H	3/PE~230V 50Hz
I	3/PE~220V 60Hz
J	3/PE~380 50Hz
K	3/PE~400V 50Hz
L	3/PE~415V 50Hz
M	3/PE~440V 60Hz
N	3/PE~460V 60Hz
O	3/PE~480V 60Hz
P	1/N/PE~220-240V 50Hz
R	2/PE~220-230V 60Hz
S	3/N/PE~400/230V 50Hz
T	3/PE~230V 60Hz
U	1/N/PE~100V 50-60Hz

## 9.2 Codici dei prodotti

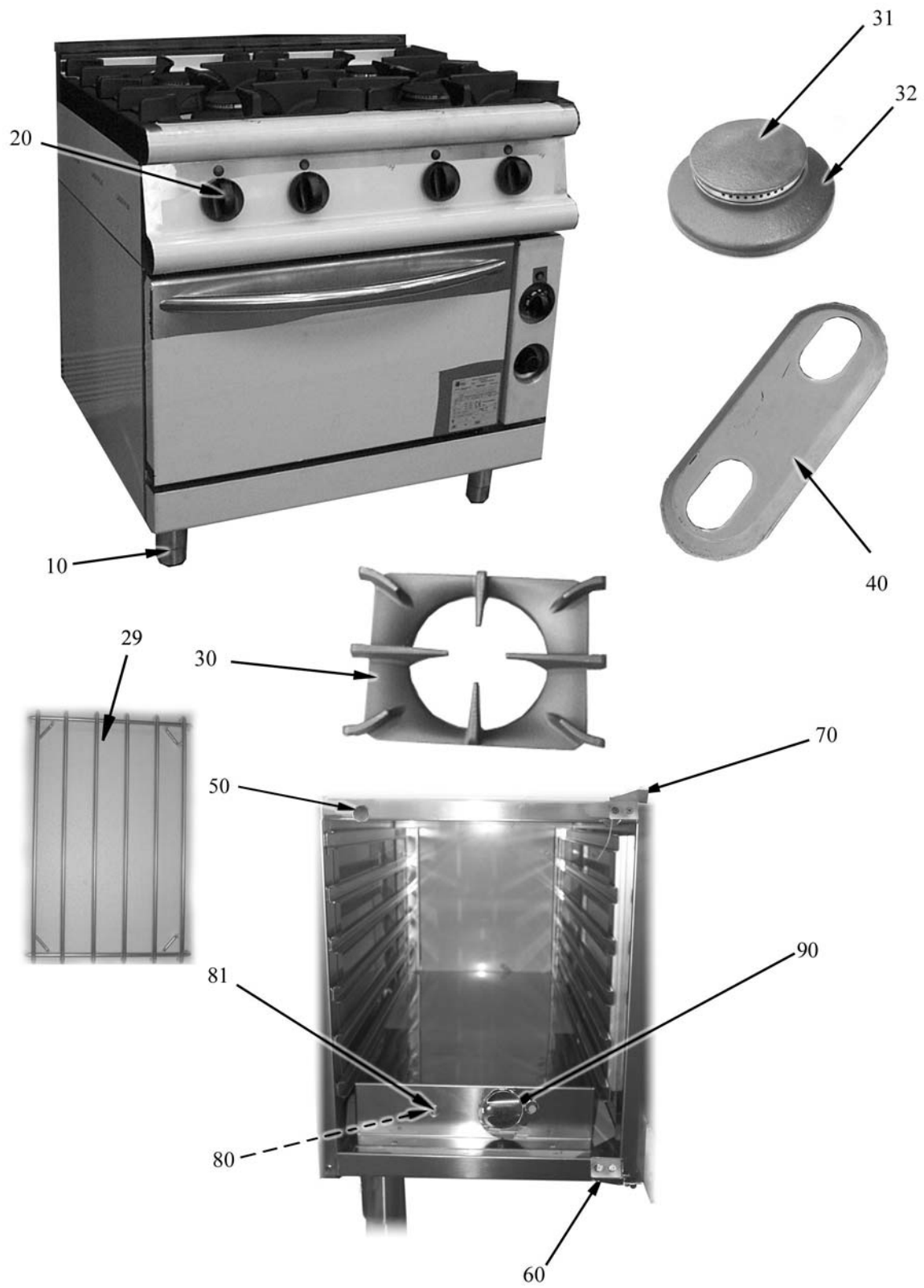
Codici del prodotto	Nome completo
Codici dei modelli	
Codici dei tipi	
400G	7PC/G400
400VG	7PCV/G400
800G	7PC/G800
800VG	7PCV/G800
800FG	7PCF/G800
800FGE	7PCF/GE800
120G	7PC/G120
120VG	7PCV/G120
120FG	7PCF/G120
120FGE	7PCF/GE120
160G	7PC/G160
160VG	7PCV/G160
160FG	7PCF/G160
160FGE	7PCF/GE160
411G	7PC/G411
411VG	7PCV/G411
811G	7PC/G811

**Parti di ricambio**

---

Codici del prodotto	Nome completo
811VG	7PCV/G811
811FG	7PCF/G811
811FGE	7PCF/GE411
121G	7PC/G121
121VG	7PCV/G121
121FG	7PCF/G121
121FGE	7PCF/GE121
161G	7PC/G161
161VG	7PCV/G161
161FG	7PCF/G161
161FGE	7PCF/GE161
120FLG	7PCFL/G120
7KR	Kit riscaldante
Codici degli accessori	







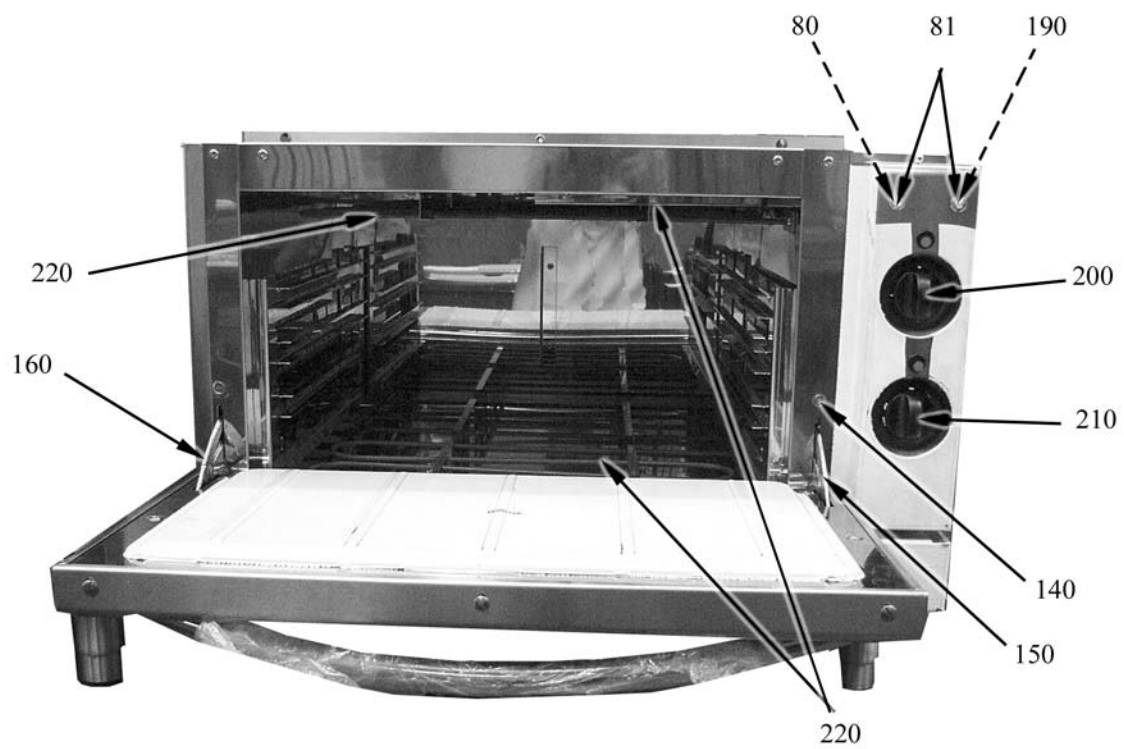
## Parti di ricambio

ID	Tipo	Voltaggio	Descrizione	Codici del produttore
<b>Module: Parti esterne fuochi e armadio caldo</b>				
10			Piedino	826490142
20			Manopola cucina gas nera	824710100
29			Griglia bifuoco inox	41826330160
30			Griglia smaltata	41822410390
31			Bruciatore (spartifiamma piccolo)	822410071
31			Bruciatore (spartifiamma medio)	822410081
32			Corpo Bruciatore piccolo	822410041
32			Corpo Bruciatore medio	822410051
40			Chisura superiore	41821530120
50	120FG,120FGE,121FG,121FGE		Magnete	826900011
60	120FG,120FGE,121FG,121FGE		Cerniera inferiore dx/superiore sx porta	2547870
70	120FG,120FGE,121FG,121FGE		Cerniera inferiore sx/superiore dx porta	2547860
80	800FGE,120FGE,160FGE,811FGE,121FGE		Segnalatore luminoso verde	826650050
81	800FGE,120FGE,160FGE,811FGE,121FGE		Gemma bianca	6A039207
90	7KR		Manopola nera per armadio caldo	824710360

=

400G=7PC/G400, 400VG=7PCV/G400, 800G=7PC/G800, 800VG=7PCV/G800, 800FG=7PCF/G800, 800FGE=7PCF/GE800, 120G=7PC/G120, 120VG=7PCV/G120, 120FG=7PCF/G120, 120FGE=7PCF/GE120, 160G=7PC/G160, 160VG=7PCV/G160, 160FG=7PCF/G160, 160FGE=7PCF/GE160, 411G=7PC/G411, 411VG=7PCV/G411, 811G=7PC/G811, 811VG=7PCV/G811, 811FG=7PCF/G811, 811FGE=7PCF/GE411, 121G=7PC/G121, 121VG=7PCV/G121, 121FG=7PCF/G121, 121FGE=7PCF/GE121, 161G=7PC/G161, 161VG=7PCV/G161, 161FG=7PCF/G161, 161FGE=7PCF/GE161, 120FLG=7PCFL/G120, 7KR=Kit riscaldante

A=3/N/PE~400/230V 50Hz



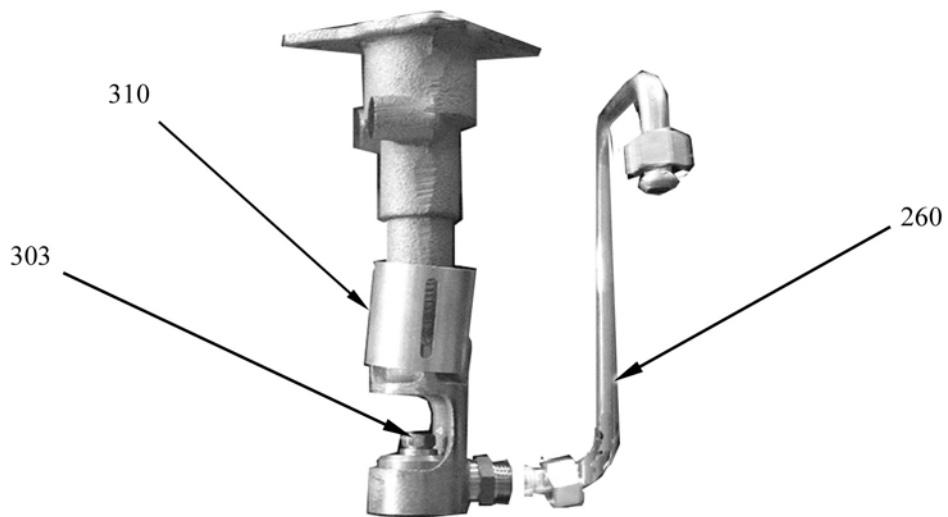
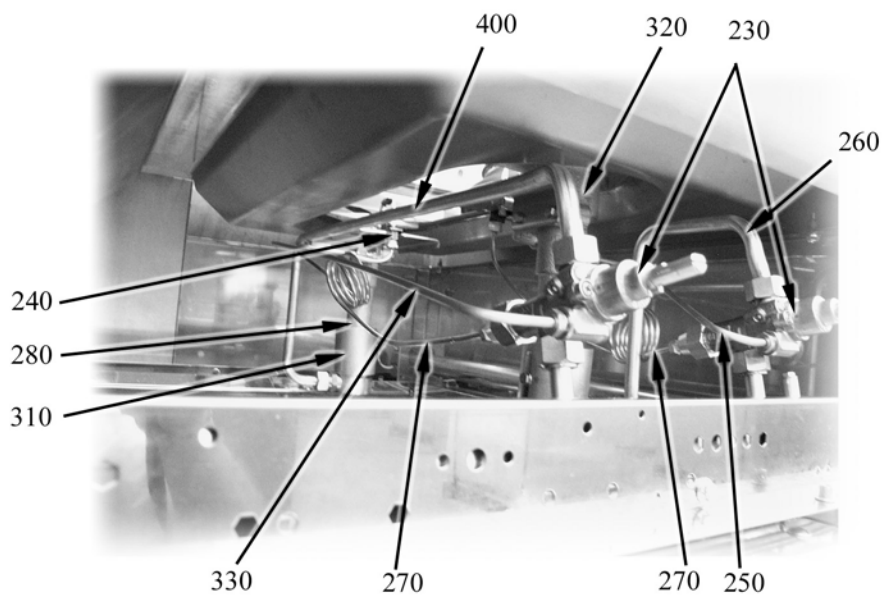
## Parti di ricambio

ID	Tipo	Voltaggio	Descrizione	Codici del produttore
<b>Module: Parti esterne forno gas ed elettrico</b>				
80	800FGE,120FGE,160FGE,811FGE,121FGE		Segnalatore luminoso verde	826650050
81	800FGE,120FGE,160FGE,811FGE,121FGE		Gemma bianca	6A039207
100	800FG,120FG,160FG,811FG,121FG,161FG		Manopola nera per forno	824710110
110	800FG,120FG,160FG,811FG,121FG,161FG		Accensione piezoelettrica	41826630020
120	800FG,120FG,160FG,811FG,121FG,161FG		Rondella	822160540
130	800FG,120FG,160FG,811FG,121FG,161FG		Cappuccio	826630420
140	800FG,120FG,160FG,800FGE,120FGE,160FGE,811FG,121FG,161FG,811FGE,121FGE,161FGE		Portarullini per cerniera	6A035930
150	800FG,120FG,160FG,800FGE,120FGE,160FGE,811FG,121FG,161FG,811FGE,121FGE,161FGE		Cerniera dx	6A035910
160	800FG,120FG,160FG,800FGE,120FGE,160FGE,811FG,121FG,161FG,811FGE,121FGE,161FGE		Cerniera sx	6A035920
170	800FG,120FG,160FG,800FGE,120FGE,160FGE,811FG,121FG,161FG,811FGE,121FGE,161FGE		Suola forno	41821410191
180	800FG,120FG,160FG,800FGE,120FGE,160FGE,811FG,121FG,161FG,811FGE,121FGE,161FGE		Griglia	41826330030
190	800FGE,120FGE,160FGE,811FGE,121FGE,161FGE		Segnalatore luminoso arancio	6A038506
200	800FGE,120FGE,160FGE,811FGE,121FGE,161FGE		Manopola commutatore forno elettrico	824710710
210	800FGE,120FGE,160FGE,811FGE,121FGE,161FGE		Manopola forno elettrico nera	824710270
220	800FGE,120FGE,160FGE,811FGE,121FGE,161FGE		Resistenza 1500 W	826620041

=

400G=7PC/G400, 400VG=7PCV/G400, 800G=7PC/G800, 800VG=7PCV/G800, 800FG=7PCF/G800, 800FGE=7PCF/GE800, 120G=7PC/G120, 120VG=7PCV/G120, 120FG=7PCF/G120, 120FGE=7PCF/GE120, 160G=7PC/G160, 160VG=7PCV/G160, 160FG=7PCF/G160, 160FGE=7PCF/GE160, 411G=7PC/G411, 411VG=7PCV/G411, 811G=7PC/G811, 811VG=7PCV/G811, 811FG=7PCF/G811, 811FGE=7PCF/GE411, 121G=7PC/G121, 121VG=7PCV/G121, 121FG=7PCF/G121, 121FGE=7PCF/GE121, 161G=7PC/G161, 161VG=7PCV/G161, 161FG=7PCF/G161, 161FGE=7PCF/GE161, 120FLG=7PCFL/G120, 7KR=Kit riscaldante

A=3/N/PE~400/230V 50Hz



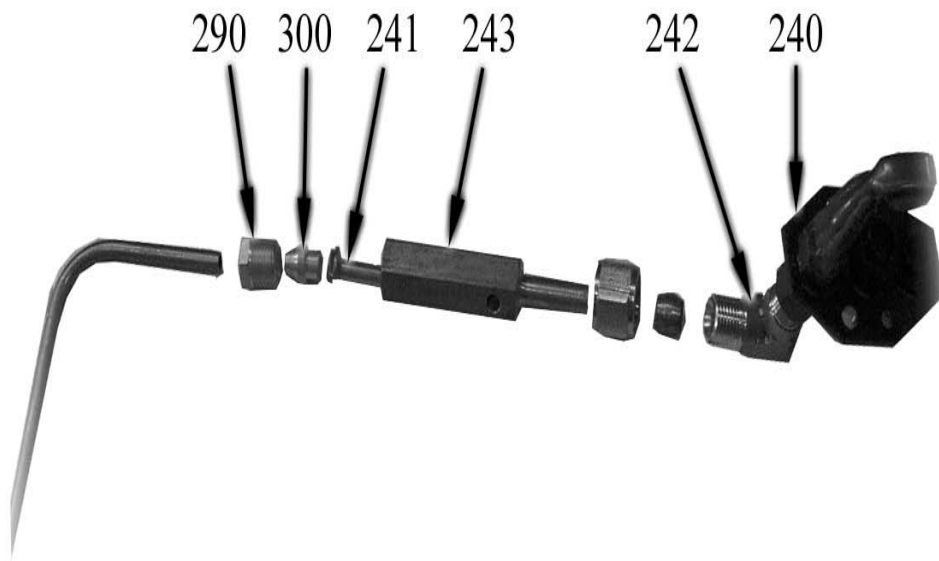
## Parti di ricambio

ID	Tipo	Voltaggio	Descrizione	Codici del produttore
<b>Module: Bruciatori e condutture fuochi aperti</b>				
230			Rubinetto	6A011490
240			Pilota	41826920140
250			Conduttura Rub./Pil. ant.	41823561391
260			Conduttura Rub./Bruc. ant	41823561370
270			Termocoppia	826920080
280			Venturi piccolo	822410012
303			Ugello L 80	822140270
303			Ugello L 105	822140150
303			Ugello L 95	822140140
303			Ugello L 120	822140160
303			Ugello 145	822140040
303			Ugello 180	822140210
303			Ugello 155	822140190
303			Ugello 200	822140220
310			Regolatore d'aria	822120020
320			Venturi grande	822410022
330			Conduttura Rub./Pil. post.	41823561381
400			Conduttura Rub./Bruc. Post.	41823561360

=

400G=7PC/G400, 400VG=7PCV/G400, 800G=7PC/G800, 800VG=7PCV/G800, 800FG=7PCF/G800, 800FGE=7PCF/GE800, 120G=7PC/G120, 120VG=7PCV/G120, 120FG=7PCF/G120, 120FGE=7PCF/GE120, 160G=7PC/G160, 160VG=7PCV/G160, 160FG=7PCF/G160, 160FGE=7PCF/GE160, 411G=7PC/G411, 411VG=7PCV/G411, 811G=7PC/G811, 811VG=7PCV/G811, 811FG=7PCF/G811, 811FGE=7PCF/GE411, 121G=7PC/G121, 121VG=7PCV/G121, 121FG=7PCF/G121, 121FGE=7PCF/GE121, 161G=7PC/G161, 161VG=7PCV/G161, 161FG=7PCF/G161, 161FGE=7PCF/GE161, 120FLG=7PCFL/G120, 7KR=Kit riscaldante

A=3/N/PE~400/230V 50Hz



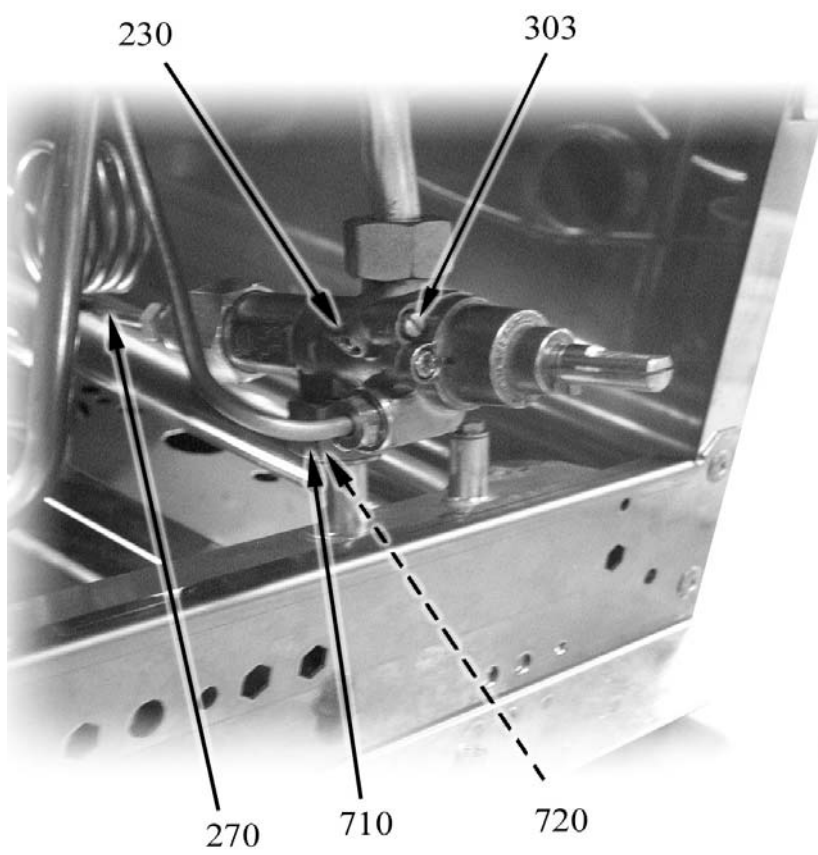
## Parti di ricambio

ID	Tipo	Voltaggio	Descrizione	Codici del produttore
<b>Module: Bruciatori e condutture fuochi aperti</b>				
240			Pilota	41826920140
241			Ugello 19	822140380
241			Ugello 27	6A013107
242			Raccordo 90	822450610
243			Prolunga pilota fuochi	822160460
290			Raccordo bicono	822450040
300			Bicono	822450050

=

400G=7PC/G400, 400VG=7PCV/G400, 800G=7PC/G800, 800VG=7PCV/G800, 800FG=7PCF/G800, 800FGE=7PCF/GE800, 120G=7PC/G120, 120VG=7PCV/G120, 120FG=7PCF/G120, 120FGE=7PCF/GE120, 160G=7PC/G160, 160VG=7PCV/G160, 160FG=7PCF/G160, 160FGE=7PCF/GE160, 411G=7PC/G411, 411VG=7PCV/G411, 811G=7PC/G811, 811VG=7PCV/G811, 811FG=7PCF/G811, 811FGE=7PCF/GE411, 121G=7PC/G121, 121VG=7PCV/G121, 121FG=7PCF/G121, 121FGE=7PCF/GE121, 161G=7PC/G161, 161VG=7PCV/G161, 161FG=7PCF/G161, 161FGE=7PCF/GE161, 120FLG=7PCFL/G120, 7KR=Kit riscaldante

A=3/N/PE~400/230V 50Hz





## Parti di ricambio

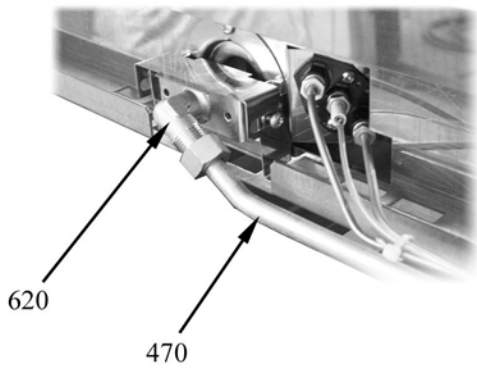
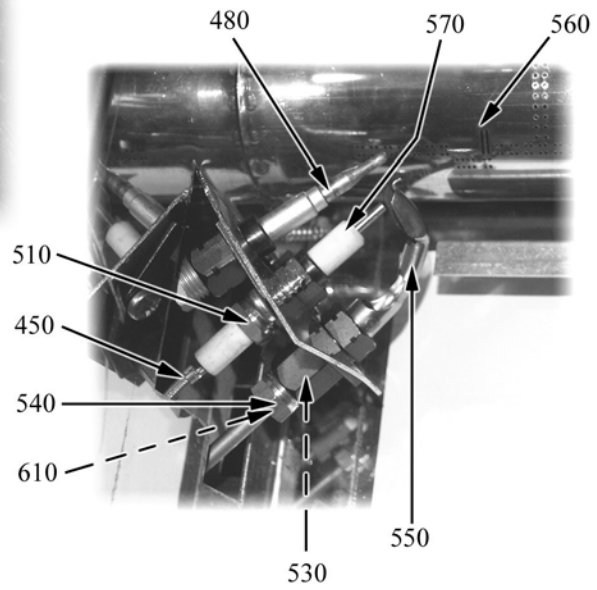
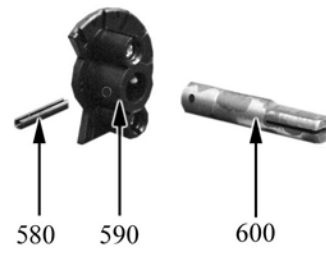
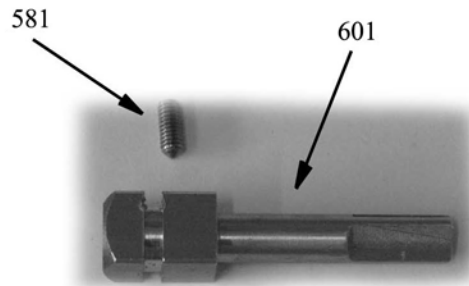
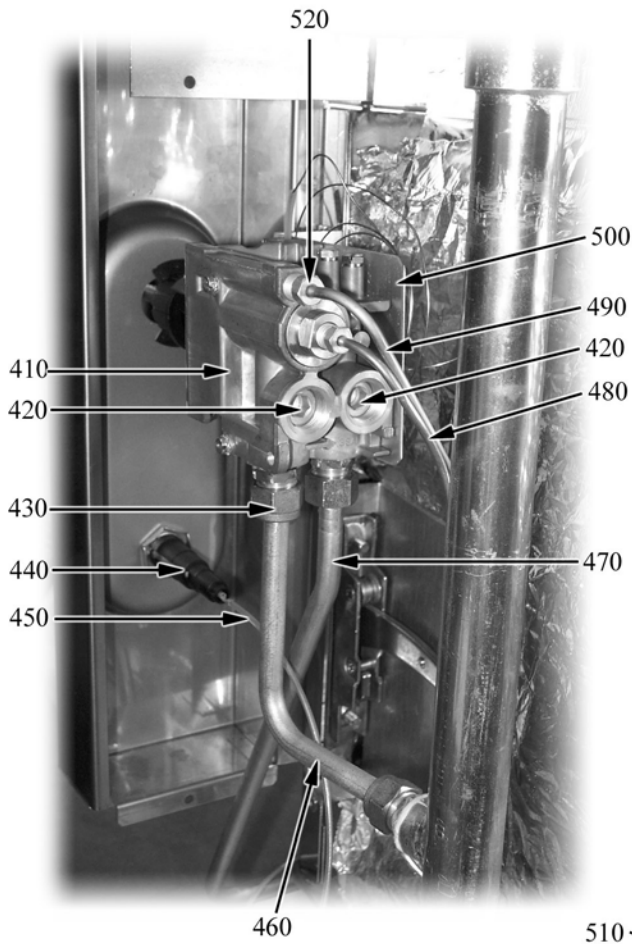
ID	Tipo	Voltaggio	Descrizione	Codici del produttore
<b>Module:Rubinetto</b>				
230			Rubinetto	6A011490
270			Termocoppia	826920080
303			Vite di minimo 80	822450240
303			Vite di minimo 120	822450280
303			Vite di minimo 50	822450210
303			Vite di minimo 75	822450230
303			Vite di minimo 90	822450260
303			Vite di minimo 130	822450290
303			Vite di minimo 45	6A023722
303			Vite di minimo 65	6A023723
710			Dado	6A011485
720			Bicono	6A011480

=

400G=7PC/G400, 400VG=7PCV/G400, 800G=7PC/G800, 800VG=7PCV/G800, 800FG=7PCF/G800, 800FGE=7PCF/GE800, 120G=7PC/G120, 120VG=7PCV/G120, 120FG=7PCF/G120, 120FGE=7PCF/GE120, 160G=7PC/G160, 160VG=7PCV/G160, 160FG=7PCF/G160, 160FGE=7PCF/GE160, 411G=7PC/G411, 411VG=7PCV/G411, 811G=7PC/G811, 811VG=7PCV/G811, 811FG=7PCF/G811, 811FGE=7PCF/GE411, 121G=7PC/G121, 121VG=7PCV/G121, 121FG=7PCF/G121, 121FGE=7PCF/GE121, 161G=7PC/G161, 161VG=7PCV/G161, 161FG=7PCF/G161, 161FGE=7PCF/GE161, 120FLG=7PCFL/G120, 7KR=Kit riscaldante

A=3/N/PE~400/230V 50Hz

Parti di ricambio



## Parti di ricambio

ID	Tipo	Voltaggio	Descrizione	Codici del produttore
<b>Module: Componenti forno a gas (valvola, regolazione aria, bruciatore)</b>				
410	800FG, 120FG, 160FG, 811FG, 121FG, 161FG		Valvola	826920012
420	800FG, 120FG, 160FG, 811FG, 121FG, 161FG		Tappo	8219951
430	800FG, 120FG, 160FG, 811FG, 121FG, 161FG		Raccordo	822450170
440	800FG, 120FG, 160FG, 811FG, 121FG, 161FG		Accensione piezoelettrica	41826630020
450	800FG, 120FG, 160FG, 811FG, 121FG, 161FG		Cavo d'accensione	2510698
460	800FG, 120FG, 160FG, 811FG, 121FG, 161FG		Conduttura Valvola/ Rampa	2514615
470	800FG, 120FG, 160FG, 811FG, 121FG, 161FG		Conduttura Valvola/Bru- ciatore forno	823560060
480	800FG, 120FG, 160FG, 811FG, 121FG, 161FG		Termocoppia	826920080
490	800FG, 120FG, 160FG, 811FG, 121FG, 161FG		Conduttura Valvola/Pilo- ta fomo	823560070
500	800FG, 120FG, 160FG, 811FG, 121FG, 161FG		Squadretta	41821120040
510	800FG, 120FG, 160FG, 811FG, 121FG, 161FG		Raccordo	6A011707
520	800FG, 120FG, 160FG, 811FG, 121FG, 161FG		Raccordo bicono	6A011608
530	800FG, 120FG, 160FG, 811FG, 121FG, 161FG		Ugello 19	822140380
530	800FG, 120FG, 160FG, 811FG, 121FG, 161FG		Ugello 27	6A013107
540	800FG, 120FG, 160FG, 811FG, 121FG, 161FG		Raccordo	822450040
550	800FG, 120FG, 160FG, 811FG, 121FG, 161FG		Pilota	826920070
560	800FG, 120FG, 160FG, 811FG, 121FG, 161FG		Bruciatore	826390050
570	800FG, 120FG, 160FG, 811FG, 121FG, 161FG		Candela	6A013301
580	800FG, 120FG, 160FG, 811FG, 121FG, 161FG		Spina elastica	418227993140
581	800FG, 120FG, 160FG, 811FG, 121FG, 161FG		Grano 4 X 10	6A009190
590	800FG, 120FG, 160FG, 811FG, 121FG, 161FG		Flangia	41822160011
600	800FG, 120FG, 160FG, 811FG, 121FG, 161FG		Attacco manopola	2518650
601	800FG, 120FG, 160FG, 811FG, 121FG, 161FG		Attacco manopola	2518660
610	800FG, 120FG, 160FG, 811FG, 121FG, 161FG		Bicono	822450050
620	800FG, 120FG, 160FG, 811FG, 121FG, 161FG		Raccordo	822450010

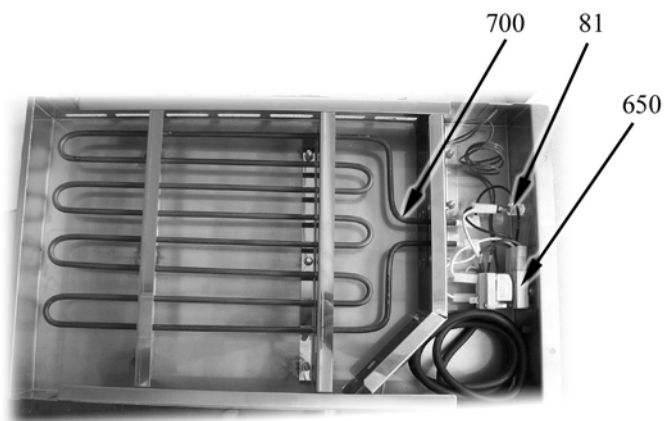
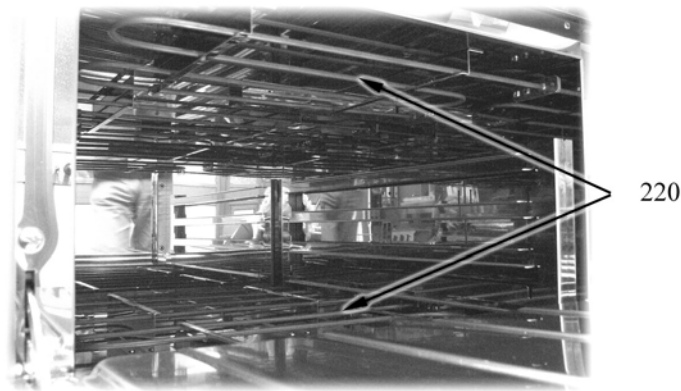
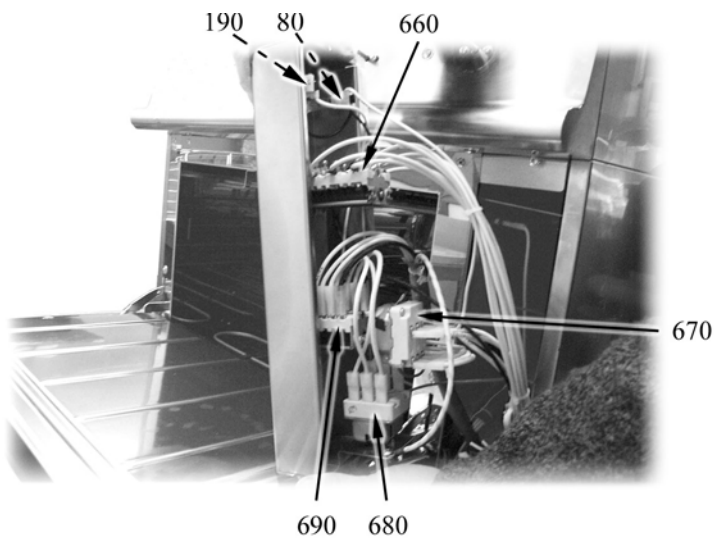
=

400G=7PC/G400, 400VG=7PCV/G400, 800G=7PC/G800, 800VG=7PCV/G800, 800FG=7PCF/G800, 800FGE=7PCF/GE800, 120G=7PC/G120, 120VG=7PCV/G120, 120FG=7PCF/G120, 120FGE=7PCF/GE120, 160G=7PC/G160, 160VG=7PCV/G160, 160FG=7PCF/G160, 160FGE=7PCF/GE160, 411G=7PC/G411, 411VG=7PCV/G411, 811G=7PC/G811, 811VG=7PCV/G811, 811FG=7PCF/G811, 811FGE=7PCF/GE411, 121G=7PC/G121, 121VG=7PCV/G121, 121FG=7PCF/G121, 121FGE=7PCF/GE121, 161G=7PC/G161, 161VG=7PCV/G161, 161FG=7PCF/G161, 161FGE=7PCF/GE161, 120FLG=7PCFL/G120, 7KR=Kit riscaldante

A=3/N/PE~400/230V 50Hz

Parti di ricambio

---



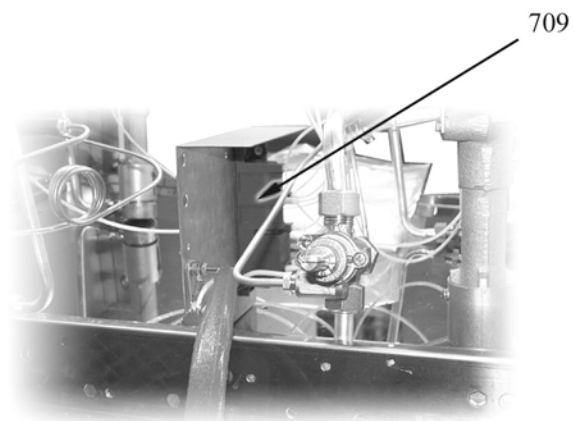
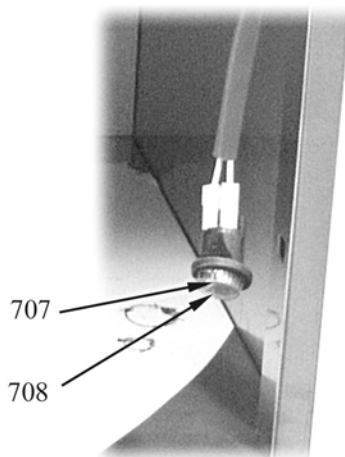
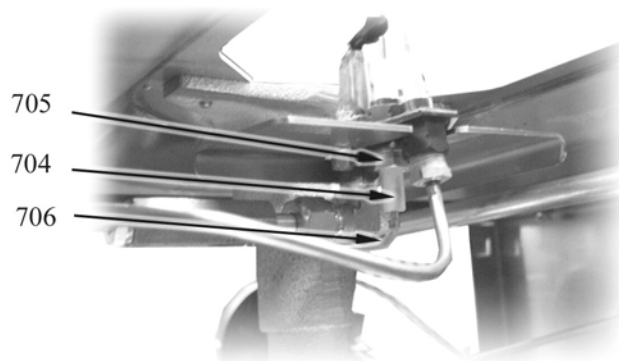
## Parti di ricambio

ID	Tipo	Voltaggio	Descrizione	Codici del produttore
<b>Module: Componenti forno elettrico e armadio caldo</b>				
80	800FGE,120FGE,1 60FGE,811FGE,12 1FGE,161FGE		Segnalatore luminoso verde	826650050
81	800FGE,120FGE,1 60FGE,811FGE,12 1FGE,161FGE,7K R		Gemma bianca	6A039207
190	800FGE,120FGE,1 60FGE,811FGE,12 1FGE,161FGE		Segnalatore luminoso arancio	6A038506
220	800FGE,120FGE,1 60FGE,811FGE,12 1FGE,161FGE		Resistenza 1500 W	826620041
650	7KR		Interruttore	826630230
660	800FGE,120FGE,1 60FGE,811FGE,12 1FGE,161FGE		Commutatore	6A046750
670	800FGE,120FGE,1 60FGE,811FGE,12 1FGE,161FGE		Termostato	826630123
680	800FGE,120FGE,1 60FGE,811FGE,12 1FGE,161FGE		Termostato sicurezza	826630130
690	800FGE,120FGE,1 60FGE,811FGE,12 1FGE,161FGE		Commutatore	6A046001
700	7KR		Resistenza 700 W	826620031

=

400G=7PC/G400, 400VG=7PCV/G400, 800G=7PC/G800, 800VG=7PCV/G800, 800FG=7PCF/G800, 800FGE=7PCF/GE800, 120G=7PC/G120, 120VG=7PCV/G120, 120FG=7PCF/G120, 120FGE=7PCF/GE120, 160G=7PC/G160, 160VG=7PCV/G160, 160FG=7PCF/G160, 160FGE=7PCF/GE160, 411G=7PC/G411, 411VG=7PCV/G411, 811G=7PC/G811, 811VG=7PCV/G811, 811FG=7PCF/G811, 811FGE=7PCF/GE411, 121G=7PC/G121, 121VG=7PCV/G121, 121FG=7PCF/G121, 121FGE=7PCF/GE121, 161G=7PC/G161, 161VG=7PCV/G161, 161FG=7PCF/G161, 161FGE=7PCF/GE161, 120FLG=7PCFL/G120, 7KR=Kit riscaldante

A=3/N/PE~400/230V 50Hz



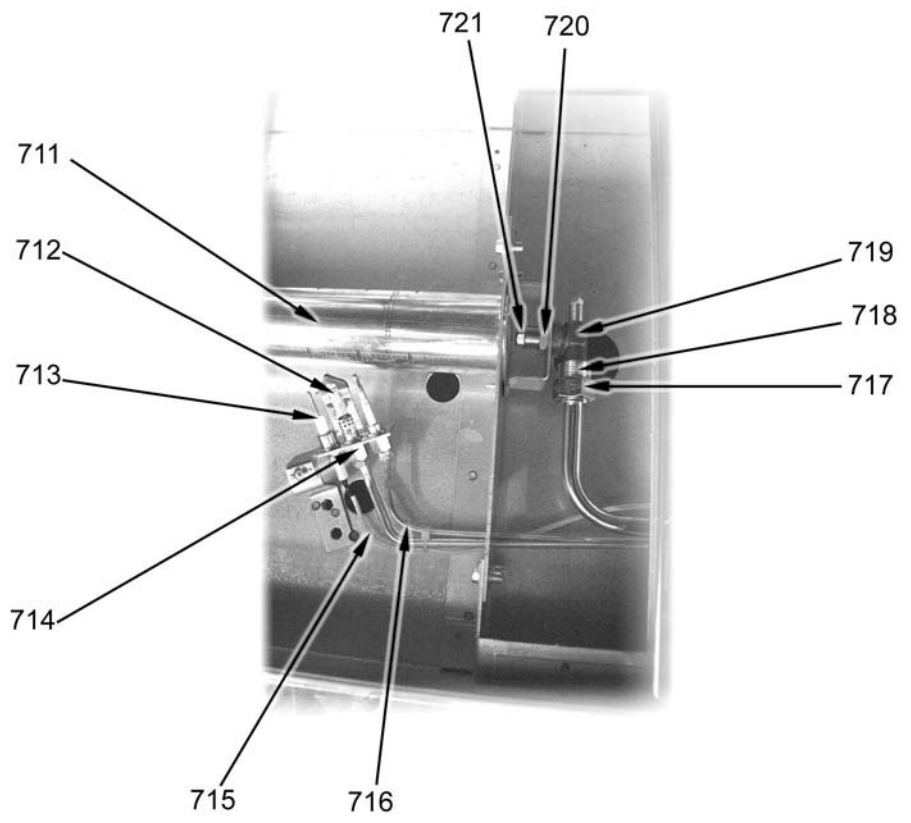
## Parti di ricambio

ID	Tipo	Voltaggio	Descrizione	Codici del produttore
<b>Module:Componenti accensione elettrica</b>				
702	411G,411VG,811G,811VG,811FG,811FGE,121G,121VG,121FG,121FGE,161G,161VG,161FG,161FGE		Piletta di scarico	822160101
703	411G,411VG,811G,811VG,811FG,811FGE,121G,121VG,121FG,121FGE,161G,161VG,161FG,161FGE		Guarnizione	824710280
704	411G,411VG,811G,811VG,811FG,811FGE,121G,121VG,121FG,121FGE,161G,161VG,161FG,161FGE		Candela	6A013301
705	411G,411VG,811G,811VG,811FG,811FGE,121G,121VG,121FG,121FGE,161G,161VG,161FG,161FGE		Dado candela	6A011707
706	411G,411VG,811G,811VG,811FG,811FGE,121G,121VG,121FG,121FGE,161G,161VG,161FG,161FGE		Cavo d'accensione L=600	826690052
706	411G,411VG,811G,811VG,811FG,811FGE,121G,121VG,121FG,121FGE,161G,161VG,161FG,161FGE		Cavo d'accensione L=1100	826690062
706	411G,411VG,811G,811VG,811FG,811FGE,121G,121VG,121FG,121FGE,161G,161VG,161FG,161FGE		Cavo d'accensione L=1900	826690550
707	411G,411VG,811G,811VG,811FG,811FGE,121G,121VG,121FG,121FGE,161G,161VG,161FG,161FGE		Tasto rosso	826630050
708	411G,411VG,811G,811VG,811FG,811FGE,121G,121VG,121FG,121FGE,161G,161VG,161FG,161FGE		Cappuccio	826630060
709	411G,411VG,811G,811VG,811FG,811FGE,121G,121VG,121FG,121FGE,161G,161VG,161FG,161FGE		Trasformatore	826630400

=

400G=7PC/G400, 400VG=7PCV/G400, 800G=7PC/G800, 800VG=7PCV/G800, 800FG=7PCF/G800, 800FGE=7PCF/GE800, 120G=7PC/G120, 120VG=7PCV/G120, 120FG=7PCF/G120, 120FGE=7PCF/GE120, 160G=7PC/G160, 160VG=7PCV/G160, 160FG=7PCF/G160, 160FGE=7PCF/GE160, 411G=7PC/G411, 411VG=7PCV/G411, 811G=7PC/G811, 811VG=7PCV/G811, 811FG=7PCF/G811, 811FGE=7PCF/GE411, 121G=7PC/G121, 121VG=7PCV/G121, 121FG=7PCF/G121, 121FGE=7PCF/GE121, 161G=7PC/G161, 161VG=7PCV/G161, 161FG=7PCF/G161, 161FGE=7PCF/GE161, 120FLG=7PCFL/G120, 7KR=Kit riscaldante

A=3/N/PE~400/230V 50Hz





## Parti di ricambio

ID	Tipo	Voltaggio	Descrizione	Codici del produttore
<b>Module:Componenti forno largo a gas</b>				
711	120FLG		Bruciatore	2510697
712	120FLG		Pilota	6A013220
713	120FLG		Candela di accensione	6A013302
714	120FLG		Ugello 27.2	6A013230
714	120FLG		Ugello 16.2	6A013240
715	120FLG		Cavo d'accensione	6A041410
716	120FLG		Termocoppia	6A011800
717	120FLG		Dado	6A016200
718	120FLG		Bicono	6A016300
719	120FLG		Raccordo	6A014708
720	120FLG		Controdado	6A010820
721	120FLG		Ugello 200	2510383
721	120FLG		Ugello 215	2510384
721	120FLG		Ugello 145	2510749
721	120FLG		Ugello 125	2510372
722	120FLG		Guarnizione	2510674

=

400G=7PC/G400, 400VG=7PCV/G400, 800G=7PC/G800, 800VG=7PCV/G800, 800FG=7PCF/G800, 800FGE=7PCF/GE800, 120G=7PC/G120, 120VG=7PCV/G120, 120FG=7PCF/G120, 120FGE=7PCF/GE120, 160G=7PC/G160, 160VG=7PCV/G160, 160FG=7PCF/G160, 160FGE=7PCF/GE160, 411G=7PC/G411, 411VG=7PCV/G411, 811G=7PC/G811, 811VG=7PCV/G811, 811FG=7PCF/G811, 811FGE=7PCF/GE411, 121G=7PC/G121, 121VG=7PCV/G121, 121FG=7PCF/G121, 121FGE=7PCF/GE121, 161G=7PC/G161, 161VG=7PCV/G161, 161FG=7PCF/G161, 161FGE=7PCF/GE161, 120FLG=7PCFL/G120, 7KR=Kit riscaldante

A=3/N/PE~400/230V 50Hz

