

# CUCINE TUTTAPIASTRA A GAS Serie 700

TIPO: 7TP/G800, 7TP/G120 DX, 7TP/G120 SX, 7TPM/G800 SX, 7TPM/G120, 7TP/G160,  
7TPV/G800, 7TPV/G120 SX, 7TPV/G120 DX, 7TPMV/G800 SX, 7TPMV/G120, 7TPV/  
G160, 7TPF/G800, 7TPF/GE800, 7TPF/G120, 7TPF/GE120, 7TPMF/G120, 7TPMF/GE120,  
7TPMF/G800 SX, 7TPMF/GE800 SX, 7TP2F/G160, 7TP2F/GE160

---

## Ricambi

---





## 9. Parti di ricambio

|   |           |
|---|-----------|
| <b>Parti esterne fuochi .....</b>                 | <b>73</b> |
| <b>Parti esterne forno gas ed elettrico .....</b> | <b>75</b> |
| <b>Bruciatori e condutture fuochi aperti.</b>     | <b>77</b> |
| <b>Bruciatori e condutture fuochi aperti.</b>     | <b>81</b> |
| <b>Rubinetto.....</b>                             | <b>83</b> |
| <b>Componenti forno a gas .....</b>               | <b>85</b> |
| <b>Componenti forno elettrico .....</b>           | <b>87</b> |
| <b>Bruciatore tuttapietra 1 modulo .....</b>      | <b>89</b> |
| <b>Bruciatore tuttapietra 1/2 modulo..</b>        | <b>91</b> |



## 9.1 Codici di voltaggio

| Voltaggio | Codice di voltaggio  |
|-----------|----------------------|
| A         | 3/N/PE~400/230V 50Hz |
| B         | ~250V 16A 50Hz       |
| C         | 3/N/PE~380/220V 50Hz |
| D         | 3/PE~200V 50-60Hz    |
| F         | 2/PE 220-240V 50Hz   |
| G         | 3/N/PE~415/240V 50Hz |
| H         | 3/PE~230V 50Hz       |
| I         | 3/PE~220V 60Hz       |
| J         | 3/PE~380 50Hz        |
| K         | 3/PE~400V 50Hz       |
| L         | 3/PE~415V 50Hz       |
| M         | 3/PE~440V 60Hz       |
| N         | 3/PE~460V 60Hz       |
| O         | 3/PE~480V 60Hz       |
| P         | 1/N/PE~220-240V 50Hz |
| R         | 2/PE~220-230V 60Hz   |
| S         | 3/N/PE~400/230V 50Hz |
| T         | 3/PE~230V 60Hz       |
| U         | 1/N/PE~100V 50-60Hz  |

## 9.2 Codici dei prodotti

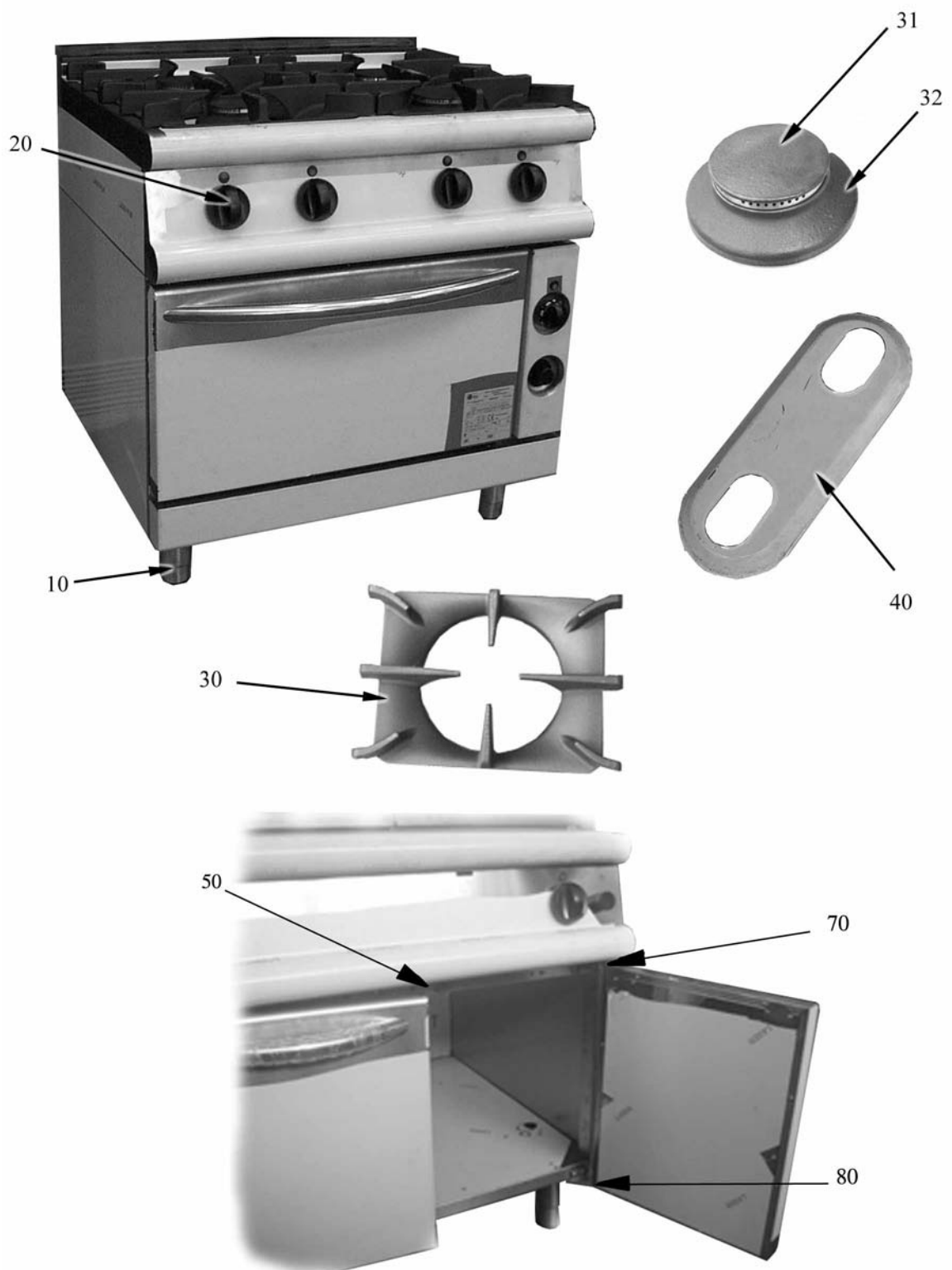
| Codici del prodotto | Nome completo |
|---------------------|---------------|
| Codici dei modelli  |               |
| Codici dei tipi     |               |
| 800                 | 7TP/G800      |
| 120D                | 7TP/G120 DX   |
| 120S                | 7TP/G120 SX   |
| 800M                | 7TPM/G800 SX  |
| 120M                | 7TPM/G120     |
| 160                 | 7TP/G160      |
| 800V                | 7TPV/G800     |
| 120S                | 7TPV/G120 SX  |
| 120D                | 7TPV/G120 DX  |
| 800MV               | 7TPMV/G800    |
| 120MV               | 7TPMV/G120    |
| 160V                | 7TPV/G160     |
| 800F                | 7TPF/G800     |
| 800FE               | 7TPF/GE800    |
| 120F                | 7TPF/G120     |
| 120FE               | 7TPF/GE120    |
| 120MF               | 7TPMF/G120    |

**Parti di ricambio**

---

| Codici del prodotto    | Nome completo |
|------------------------|---------------|
| 120MFE                 | 7TPMF/GE120   |
| 800MF                  | 7TPMF/G800 SX |
| 800MFE                 | 7TPMF/GE800   |
| 160F                   | 7TP2F/G160    |
| 160FE                  | 7TP2F/GE160   |
| Codici degli accessori |               |





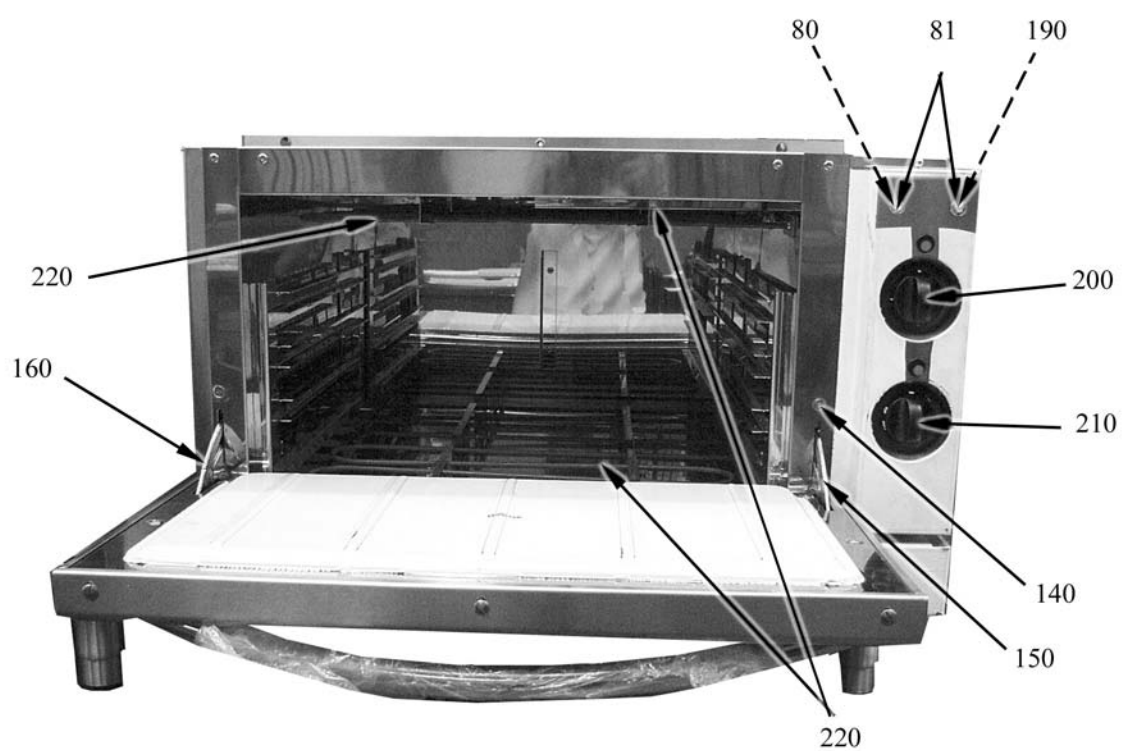


## Parti di ricambio

| ID  | Modello | Tipo                    | Voltaggio | Descrizione                              | Codici del produttore |
|---|---------|-------------------------|-----------|--|-----------------------|
| <b>Module: Parti esterne fuochi e armadio caldo</b> |         |                         |           |  |                       |
| 10  |         |                         |           | Piedino                                  | 826490142             |
| 20  |         |                         |           | Manopola cucina gas nera                 | 824710100             |
| 30  |         |                         |           | Griglia smaltata                         | 41822410390           |
| 31  |         |                         |           | Bruciatore (spartifiamma piccolo)        | 822410071             |
| 31  |         |                         |           | Bruciatore (spartifiamma medio)          | 822410081             |
| 32  |         |                         |           | Corpo Bruciatore piccolo                 | 822410041             |
| 32  |         |                         |           | Corpo Bruciatore medio                   | 822410051             |
| 40  |         |                         |           | Chisura superiore                        | 41821530120           |
| 50  |         | 120MF,120MFE            |           | Magnete                                  | 826900011             |
| 60  |         | 120MF,120MFE            |           | Cerniera inferiore dx/superiore sx porta | 2547870               |
| 70  |         | 120MF,120MFE,120F,120FE |           | Cerniera inferiore sx/superiore dx porta | 2547860               |

800=7TP/G800, 800M=7TPM/G800 SX, 120M=7TPM/G120, 160=7TP/G160, 800V=7TPV/G800, 800MV=7TPMV/G800 SX, 120MV=7TPMV/G120, 160V=7TPV/G160, 800F=7TPF/G800, 800FE=7TPF/GE800, 120F=7TPF/G120, 120FE=7TPF/GE120, 120MF=7TPMF/G120, 120MFE=7TPMF/GE120, 800MF=7TPMF/G800 SX, 800MFE=7TPMF/GE800 SX, 160F=7TP2F/G160, 160FE=7TP2F/GE160

A=3/N/PE~400/230V 50Hz, H=3/PE~230V 50Hz, P=1/N/PE~220-240V 50Hz

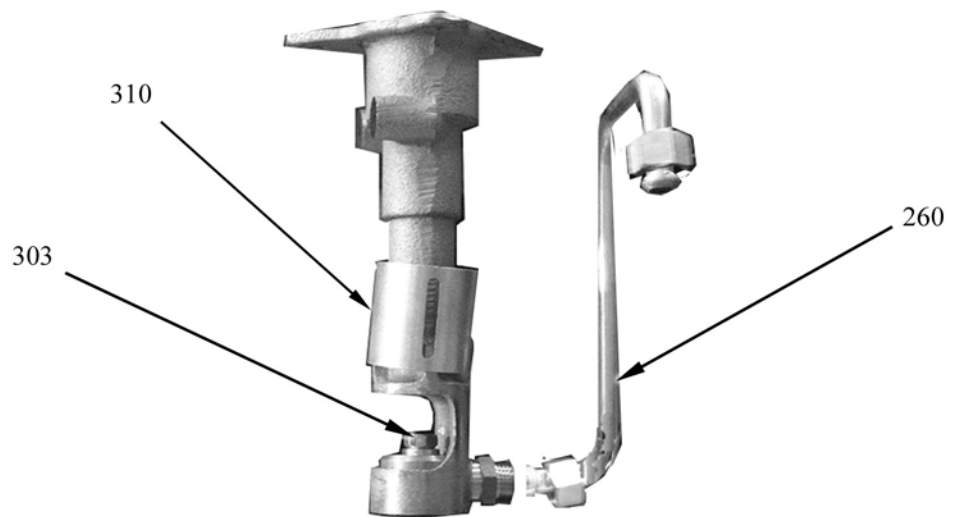
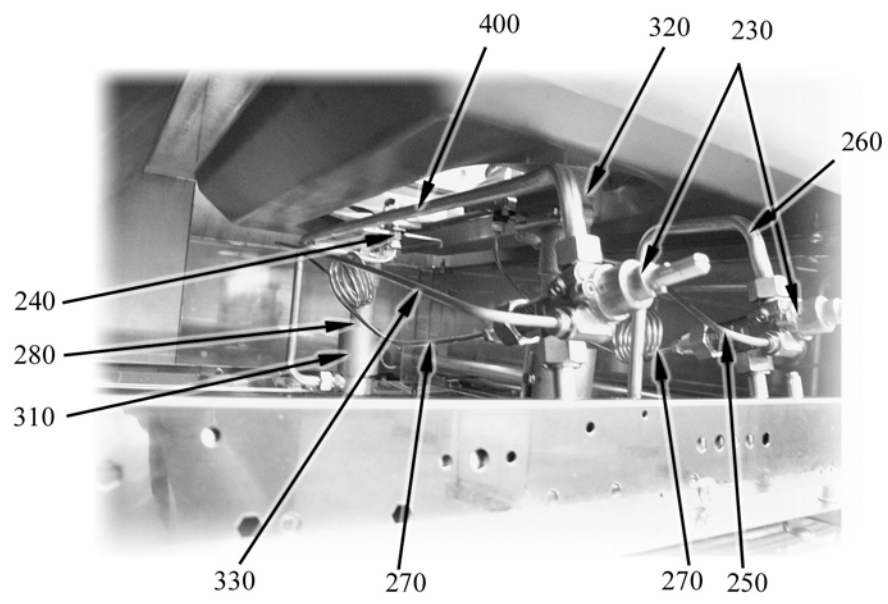


## Parti di ricambio

| ID  | Modello | Tipo   | Voltaggio | Descrizione                          | Codici del produttore |
|---|---------|--|-----------|--------------------------------------|-----------------------|
| <b>Module: Parti esterne forno gas ed elettrico</b> |         |  |           |                                      |                       |
| 80  |         | 800F,800FE,120F,120FE,120MF,120MFE,800MF,800MFE,160F,160FE |           | Segnalatore luminoso verde           | 826650050             |
| 81  |         | 800F,800FE,120F,120FE,120MF,120MFE,800MF,800MFE,160F,160FE |           | Gemma bianca                         | 6A039207              |
| 100   |         | 800F,800FE,120F,120FE,120MF,120MFE,800MF,800MFE,160F,160FE |           | Manopola nera per forno              | 824710110             |
| 110   |         | 800F,800FE,120F,120FE,120MF,120MFE,800MF,800MFE,160F,160FE |           | Accensione piezoelettrica            | 41826630020           |
| 120   |         | 800F,800FE,120F,120FE,120MF,120MFE,800MF,800MFE,160F,160FE |           | Rondella                             | 822160540             |
| 130   |         | 800F,800FE,120F,120FE,120MF,120MFE,800MF,800MFE,160F,160FE |           | Cappuccio                            | 826630420             |
| 140   |         | 800F,800FE,120F,120FE,120MF,120MFE,800MF,800MFE,160F,160FE |           | Portarullini per cerniera            | 6A035930              |
| 150   |         | 800F,800FE,120F,120FE,120MF,120MFE,800MF,800MFE,160F,160FE |           | Cerniera dx                          | 6A035910              |
| 160   |         | 800F,800FE,120F,120FE,120MF,120MFE,800MF,800MFE,160F,160FE |           | Cerniera sx                          | 6A035920              |
| 170   |         | 800F,800FE,120F,120FE,120MF,120MFE,800MF,800MFE,160F,160FE |           | Suola forno                          | 41821410191           |
| 180   |         | 800F,800FE,120F,120FE,120MF,120MFE,800MF,800MFE,160F,160FE |           | Griglia                              | 41826330030           |
| 190   |         | 800F,800FE,120F,120FE,120MF,120MFE,800MF,800MFE,160F,160FE |           | Segnalatore luminoso arancio         | 6A038506              |
| 200   |         | 800F,800FE,120F,120FE,120MF,120MFE,800MF,800MFE,160F,160FE |           | Manopola commutatore forno elettrico | 824710710             |
| 210   |         | 800F,800FE,120F,120FE,120MF,120MFE,800MF,800MFE,160F,160FE |           | Manopola forno elettrico nera        | 824710270             |
| 220   |         | 800F,800FE,120F,120FE,120MF,120MFE,800MF,800MFE,160F,160FE |           | Resistenza 1500 W                    | 826620041             |

800=7TP/G800, 800M=7TPM/G800 SX, 120M=7TPM/G120, 160=7TP/G160, 800V=7TPV/G800, 800MV=7TPMV/G800 SX, 120MV=7TPMV/G120, 160V=7TPV/G160, 800F=7TPF/G800, 800FE=7TPF/GE800, 120F=7TPF/G120, 120FE=7TPF/GE120, 120MF=7TPMF/G120, 120MFE=7TPMF/GE120, 800MF=7TPMF/G800 SX, 800MFE=7TPMF/GE800 SX, 160F=7TP2F/G160, 160FE=7TP2F/GE160

A=3/N/PE~400/230V 50Hz, H=3/PE~230V 50Hz, P=1/N/PE~220-240V 50Hz



## Parti di ricambio

| ID   | Tipo   | Descrizione               | Codici del produttore |
|--|--|---------------------------|-----------------------|
| <b>Module: Bruciatori e condutture fuochi aperti</b> |  |                           |                       |
| 230  | 120S,120D,800M,120M,160,120SV,120DV,800MV,120MV,160V,120F,120FE,120MF,120MFE,800MF,800MFE,160F,160FE | Rubinetto                 | 6A011490              |
| 240  | 120S,120D,800M,120M,160,120SV,120DV,800MV,120MV,160V,120F,120FE,120MF,120MFE,800MF,800MFE,160F,160FE | Pilota                    | 41826920140           |
| 250  | 120S,120D,800M,120M,160,120SV,120DV,800MV,120MV,160V,120F,120FE,120MF,120MFE,800MF,800MFE,160F,160FE | Conduttura Rub./Pil. ant. | 41823561391           |
| 260  | 120S,120D,800M,120M,160,120SV,120DV,800MV,120MV,160V,120F,120FE,120MF,120MFE,800MF,800MFE,160F,160FE | Conduttura Rub./Bruc. ant | 41823561370           |
| 270  | 120S,120D,800M,120M,160,120SV,120DV,800MV,120MV,160V,120F,120FE,120MF,120MFE,800MF,800MFE,160F,160FE | Termocoppia               | 826920080             |
| 280  | 120S,120D,800M,120M,160,120SV,120DV,800MV,120MV,160V,120F,120FE,120MF,120MFE,800MF,800MFE,160F,160FE | Venturi piccolo           | 822410012             |
| 303  | 120S,120D,800M,120M,160,120SV,120DV,800MV,120MV,160V,120F,120FE,120MF,120MFE,800MF,800MFE,160F,160FE | Ugello L 80               | 822140270             |
| 303  | 120S,120D,800M,120M,160,120SV,120DV,800MV,120MV,160V,120F,120FE,120MF,120MFE,800MF,800MFE,160F,160FE | Ugello L 105              | 822140150             |
| 303  | 120S,120D,800M,120M,160,120SV,120DV,800MV,120MV,160V,120F,120FE,120MF,120MFE,800MF,800MFE,160F,160FE | Ugello L 95               | 822140140             |
| 303  | 120S,120D,800M,120M,160,120SV,120DV,800MV,120MV,160V,120F,120FE,120MF,120MFE,800MF,800MFE,160F,160FE | Ugello L 120              | 822140160             |
| 303  | 120S,120D,800M,120M,160,120SV,120DV,800MV,120MV,160V,120F,120FE,120MF,120MFE,800MF,800MFE,160F,160FE | Ugello 145                | 822140040             |
| 303  | 120S,120D,800M,120M,160,120SV,120DV,800MV,120MV,160V,120F,120FE,120MF,120MFE,800MF,800MFE,160F,160FE | Ugello 180                | 822140210             |
| 303  | 120S,120D,800M,120M,160,120SV,120DV,800MV,120MV,160V,120F,120FE,120MF,120MFE,800MF,800MFE,160F,160FE | Ugello 155                | 822140190             |
| 303  | 120S,120D,800M,120M,160,120SV,120DV,800MV,120MV,160V,120F,120FE,120MF,120MFE,800MF,800MFE,160F,160FE | Ugello 200                | 822140220             |
| 303  | 120S,120D,800M,120M,160,120SV,120DV,800MV,120MV,160V,120F,120FE,120MF,120MFE,800MF,800MFE,160F,160FE | Ugello 135                |                       |
| 303  | 120S,120D,800M,120M,160,120SV,120DV,800MV,120MV,160V,120F,120FE,120MF,120MFE,800MF,800MFE,160F,160FE | Ugello 115                |                       |

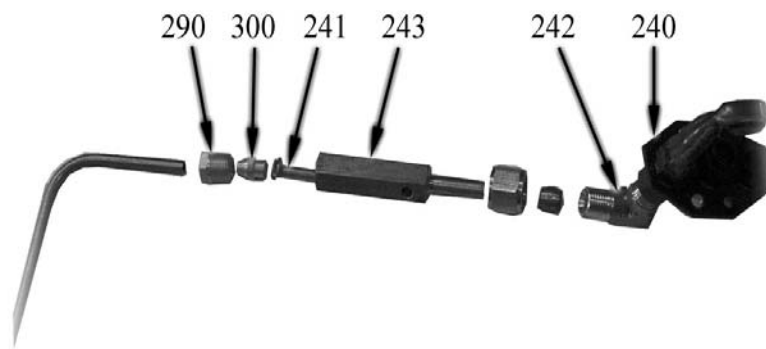
## Parti di ricambio

| ID  | Tipo   | Descrizione                 | Codici del produttore |
|-----|--|-----------------------------|-----------------------|
| 303 | 120S,120D,800M,120M,160,120SV,120DV,800MV,120MV,160V,120F,120FE,120MF,120MFE,800MF,800MFE,160F,160FE | Ugello 225                  |                       |
| 310 | 120S,120D,800M,120M,160,120SV,120DV,800MV,120MV,160V,120F,120FE,120MF,120MFE,800MF,800MFE,160F,160FE | Regolatore d'aria           | 822120020             |
| 320 | 120S,120D,800M,120M,160,120SV,120DV,800MV,120MV,160V,120F,120FE,120MF,120MFE,800MF,800MFE,160F,160FE | Venturi medio               | 822410022             |
| 321 | 120S,120D,800M,120M,160,120SV,120DV,800MV,120MV,160V,120F,120FE,120MF,120MFE,800MF,800MFE,160F,160FE | Venturi piccolo             | 822410012             |
| 322 | 120S,120D,800M,120M,160,120SV,120DV,800MV,120MV,160V,120F,120FE,120MF,120MFE,800MF,800MFE,160F,160FE | Venturi grande              | 822410032             |
| 330 | 120S,120D,800M,120M,160,120SV,120DV,800MV,120MV,160V,120F,120FE,120MF,120MFE,800MF,800MFE,160F,160FE | Conduttura Rub./Pil. post.  | 41823561381           |
| 400 | 120S,120D,800M,120M,160,120SV,120DV,800MV,120MV,160V,120F,120FE,120MF,120MFE,800MF,800MFE,160F,160FE | Conduttura Rub./Bruc. Post. | 41823561360           |

800=7TP/G800, 800M=7TPM/G800 SX, 120M=7TPM/G120, 160=7TP/G160, 800V=7TPV/G800, 800MV=7TPMV/G800 SX, 120MV=7TPMV/G120, 160V=7TPV/G160, 800F=7TPF/G800, 800FE=7TPF/GE800, 120F=7TPF/G120, 120FE=7TPF/GE120, 120MF=7TPMF/G120, 120MFE=7TPMF/GE120, 800MF=7TPMF/G800 SX, 800MFE=7TPMF/GE800 SX, 160F=7TP2F/G160, 160FE=7TP2F/GE160

A=3/N/PE~400/230V 50Hz, H=3/PE~230V 50Hz, P=1/N/PE~220-240V 50Hz





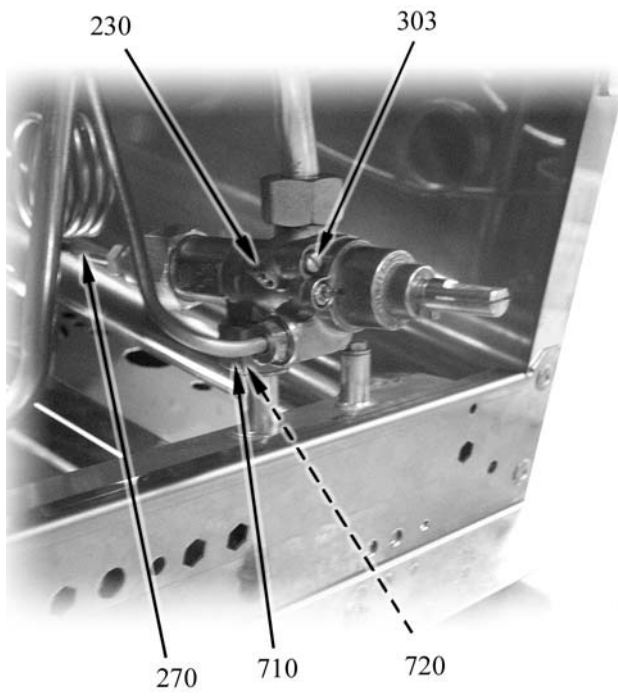


## Parti di ricambio

| ID   | Modello | Tipo   | Voltaggio | Descrizione            | Codici del produttore |
|--|---------|--|-----------|------------------------|-----------------------|
| <b>Module: Bruciatori e condutture fuochi aperti</b> |         |  |           |                        |                       |
| 240  |         | 120S,120D,800M,120M,160,120SV,120DV,800MV,120MV,160V,120F,120FE,120MF,120MFE,800MF,800MFE,160F,160FE |           | Pilota                 | 41826920140           |
| 241  |         | 120S,120D,800M,120M,160,120SV,120DV,800MV,120MV,160V,120F,120FE,120MF,120MFE,800MF,800MFE,160F,160FE |           | Ugello 19              | 822140380             |
| 241  |         | 120S,120D,800M,120M,160,120SV,120DV,800MV,120MV,160V,120F,120FE,120MF,120MFE,800MF,800MFE,160F,160FE |           | Ugello 27              | 6A013107              |
| 242  |         | 120S,120D,800M,120M,160,120SV,120DV,800MV,120MV,160V,120F,120FE,120MF,120MFE,800MF,800MFE,160F,160FE |           | Raccordo 90            | 822450610             |
| 243  |         | 120S,120D,800M,120M,160,120SV,120DV,800MV,120MV,160V,120F,120FE,120MF,120MFE,800MF,800MFE,160F,160FE |           | Prolunga pilota fuochi | 822160460             |
| 290  |         | 120S,120D,800M,120M,160,120SV,120DV,800MV,120MV,160V,120F,120FE,120MF,120MFE,800MF,800MFE,160F,160FE |           | Raccordo bicono        | 822450040             |
| 300  |         | 120S,120D,800M,120M,160,120SV,120DV,800MV,120MV,160V,120F,120FE,120MF,120MFE,800MF,800MFE,160F,160FE |           | Bicono                 | 822450050             |

800=7TP/G800, 800M=7TPM/G800 SX, 120M=7TPM/G120, 160=7TP/G160, 800V=7TPV/G800, 800MV=7TPMV/G800 SX, 120MV=7TPMV/G120, 160V=7TPV/G160, 800F=7TPF/G800, 800FE=7TPF/GE800, 120F=7TPF/G120, 120FE=7TPF/GE120, 120MF=7TPMF/G120, 120MFE=7TPMF/GE120, 800MF=7TPMF/G800 SX, 800MFE=7TPMF/GE800 SX, 160F=7TP2F/G160, 160FE=7TP2F/GE160

A=3/N/PE~400/230V 50Hz, H=3/PE~230V 50Hz, P=1/N/PE~220-240V 50Hz

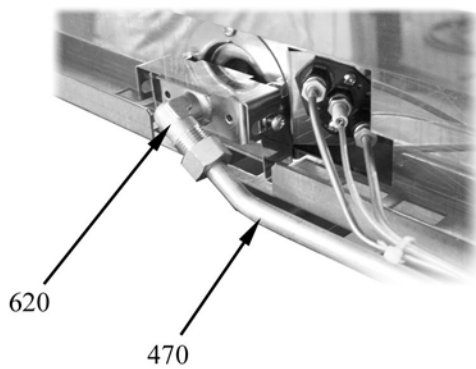
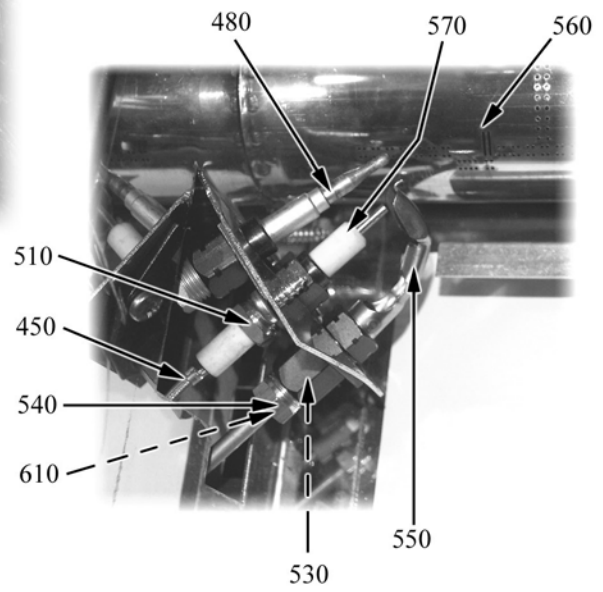
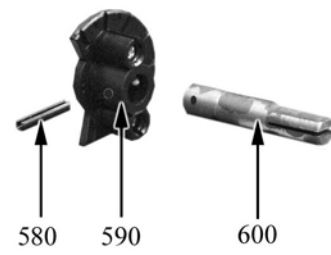
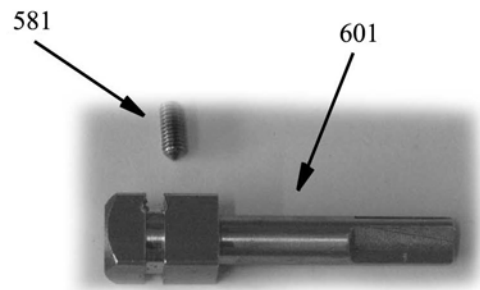
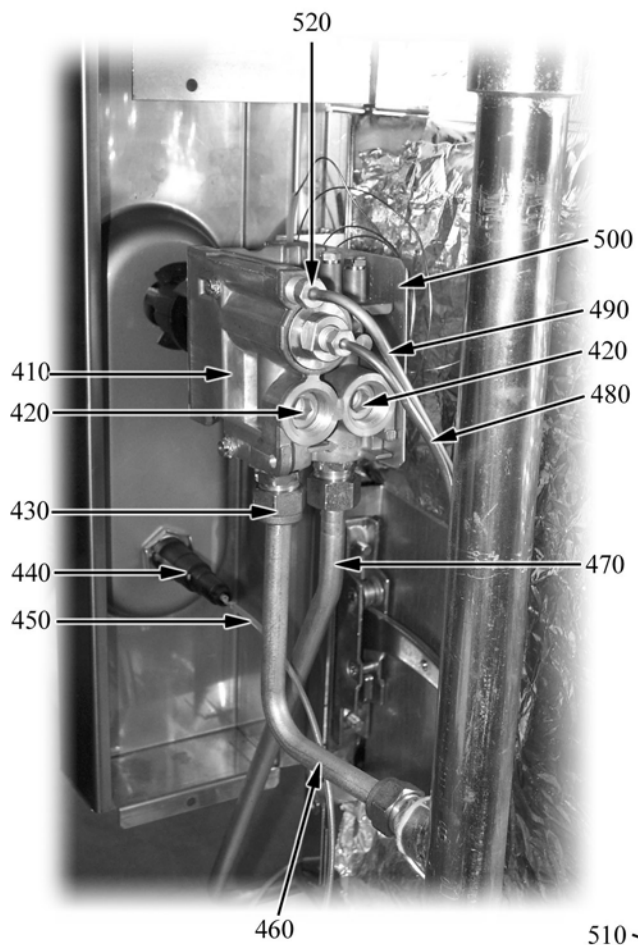


## Parti di ricambio

| ID                      | Modello | Tipo   | Voltaggio | Descrizione        | Codici del produttore |
|-------------------------|---------|--|-----------|--------------------|-----------------------|
| <b>Module:Rubinetto</b> |         |  |           |                    |                       |
| 230                     |         | 120S,120D,800M,120M,160,120SV,120DV,800MV,120MV,160V,120F,120FE,120MF,120MFE,800MF,800MFE,160F,160FE |           | Rubinetto          | 6A011490              |
| 270                     |         | 120S,120D,800M,120M,160,120SV,120DV,800MV,120MV,160V,120F,120FE,120MF,120MFE,800MF,800MFE,160F,160FE |           | Termocoppia        | 826920080             |
| 303                     |         | 120S,120D,800M,120M,160,120SV,120DV,800MV,120MV,160V,120F,120FE,120MF,120MFE,800MF,800MFE,160F,160FE |           | Vite di minimo 80  | 822450240             |
| 303                     |         | 120S,120D,800M,120M,160,120SV,120DV,800MV,120MV,160V,120F,120FE,120MF,120MFE,800MF,800MFE,160F,160FE |           | Vite di minimo 120 | 822450280             |
| 303                     |         | 120S,120D,800M,120M,160,120SV,120DV,800MV,120MV,160V,120F,120FE,120MF,120MFE,800MF,800MFE,160F,160FE |           | Vite di minimo 50  | 822450210             |
| 303                     |         | 120S,120D,800M,120M,160,120SV,120DV,800MV,120MV,160V,120F,120FE,120MF,120MFE,800MF,800MFE,160F,160FE |           | Vite di minimo 75  | 822450230             |
| 303                     |         | 120S,120D,800M,120M,160,120SV,120DV,800MV,120MV,160V,120F,120FE,120MF,120MFE,800MF,800MFE,160F,160FE |           | Vite di minimo 90  | 822450260             |
| 303                     |         | 120S,120D,800M,120M,160,120SV,120DV,800MV,120MV,160V,120F,120FE,120MF,120MFE,800MF,800MFE,160F,160FE |           | Vite di minimo 130 | 822450290             |
| 303                     |         | 120S,120D,800M,120M,160,120SV,120DV,800MV,120MV,160V,120F,120FE,120MF,120MFE,800MF,800MFE,160F,160FE |           | Vite di minimo 45  | 6A023722              |
| 303                     |         | 120S,120D,800M,120M,160,120SV,120DV,800MV,120MV,160V,120F,120FE,120MF,120MFE,800MF,800MFE,160F,160FE |           | Vite di minimo 65  | 6A023723              |
| 710                     |         | 120S,120D,800M,120M,160,120SV,120DV,800MV,120MV,160V,120F,120FE,120MF,120MFE,800MF,800MFE,160F,160FE |           | Dado               | 6A011485              |
| 720                     |         | 120S,120D,800M,120M,160,120SV,120DV,800MV,120MV,160V,120F,120FE,120MF,120MFE,800MF,800MFE,160F,160FE |           | Bicono             | 6A011480              |

800=7TP/G800, 800M=7TPM/G800 SX, 120M=7TPM/G120, 160=7TP/G160, 800V=7TPV/G800, 800MV=7TPMV/G800 SX, 120MV=7TPMV/G120, 160V=7TPV/G160, 800F=7TPF/G800, 800FE=7TPF/GE800, 120F=7TPF/G120, 120FE=7TPF/GE120, 120MF=7TPMF/G120, 120MFE=7TPMF/GE120, 800MF=7TPMF/G800 SX, 800MFE=7TPMF/GE800 SX, 160F=7TP2F/G160, 160FE=7TP2F/GE160

A=3/N/PE~400/230V 50Hz, H=3/PE~230V 50Hz, P=1/N/PE~220-240V 50Hz

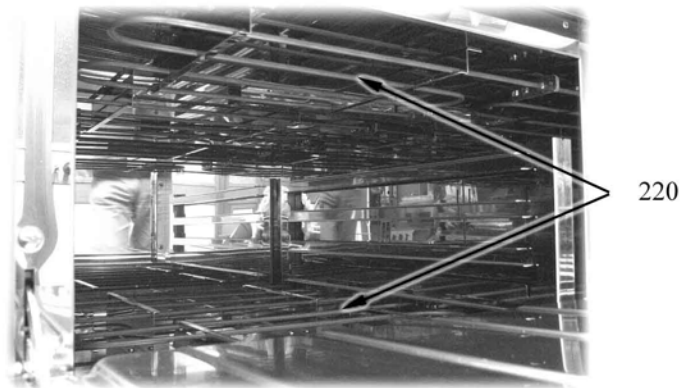
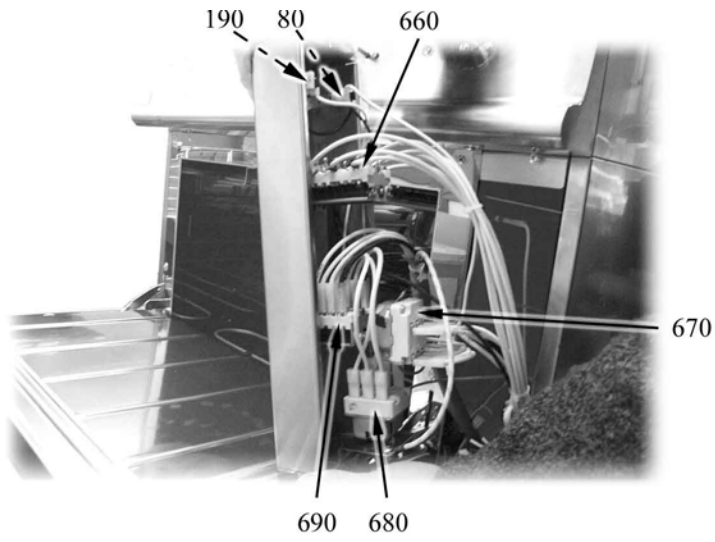


## Parti di ricambio

| ID  | Modello | Tipo                       | Voltaggio | Descrizione                         | Codici del produttore |
|---|---------|----------------------------|-----------|-------------------------------------|-----------------------|
| <b>Module: Componenti forno a gas (valvola, regolazione aria, bruciatore)</b> |         |                            |           |                                     |                       |
| 410   |         | 800F,120F,120MF,800MF,160F |           | Valvola                             | 826920012             |
| 420   |         | 800F,120F,120MF,800MF,160F |           | Tappo                               | 8219951               |
| 430   |         | 800F,120F,120MF,800MF,160F |           | Raccordo                            | 822450170             |
| 440   |         | 800F,120F,120MF,800MF,160F |           | Accensione piezoelettrica           | 41826630020           |
| 450   |         | 800F,120F,120MF,800MF,160F |           | Cavo d'accensione                   | 2510698               |
| 460   |         | 800F,120F,120MF,800MF,160F |           | Conduttura Valvola/Rampa            | 2514615               |
| 470   |         | 800F,120F,120MF,800MF,160F |           | Conduttura Valvola/Bruciatore forno | 823560060             |
| 480   |         | 800F,120F,120MF,800MF,160F |           | Termocoppia                         | 826920080             |
| 490   |         | 800F,120F,120MF,800MF,160F |           | Conduttura Valvola/Pilota forno     | 823560070             |
| 500   |         | 800F,120F,120MF,800MF,160F |           | Squadretta                          | 41821120040           |
| 510   |         | 800F,120F,120MF,800MF,160F |           | Raccordo                            | 6A011707              |
| 520   |         | 800F,120F,120MF,800MF,160F |           | Raccordo bicono                     | 6A011608              |
| 530   |         | 800F,120F,120MF,800MF,160F |           | Ugello 19                           | 822140380             |
| 530   |         | 800F,120F,120MF,800MF,160F |           | Ugello 27                           | 6A013107              |
| 540   |         | 800F,120F,120MF,800MF,160F |           | Raccordo                            | 822450040             |
| 550   |         | 800F,120F,120MF,800MF,160F |           | Pilota                              | 826920070             |
| 560   |         | 800F,120F,120MF,800MF,160F |           | Bruciatore                          | 2510697               |
| 570   |         | 800F,120F,120MF,800MF,160F |           | Candela                             | 6A013301              |
| 580   |         | 800F,120F,120MF,800MF,160F |           | Spina elastica                      | 418227993140          |
| 581   |         | 800F,120F,120MF,800MF,160F |           | Grano di fissaggio                  | 6A009190              |
| 590   |         | 800F,120F,120MF,800MF,160F |           | Flangia                             | 2518660               |
| 600   |         | 800F,120F,120MF,800MF,160F |           | Attacco manopola                    | 2518650               |
| 581   |         | 800F,120F,120MF,800MF,160F |           | Attacco manopola                    | 2518660               |
| 610   |         | 800F,120F,120MF,800MF,160F |           | Bicono                              | 822450050             |
| 620   |         | 800F,120F,120MF,800MF,160F |           | Raccordo                            | 822450010             |

800=7TP/G800, 800M=7TPM/G800 SX, 120M=7TPM/G120, 160=7TP/G160, 800V=7TPV/G800, 800MV=7TPMV/G800 SX, 120MV=7TPMV/G120, 160V=7TPV/G160, 800F=7TPF/G800, 800FE=7TPF/GE800, 120F=7TPF/G120, 120FE=7TPF/GE120, 120MF=7TPMF/G120, 120MFE=7TPMF/GE120, 800MF=7TPMF/G800 SX, 800MFE=7TPMF/GE800 SX, 160F=7TP2F/G160, 160FE=7TP2F/GE160

A=3/N/PE~400/230V 50Hz, H=3/PE~230V 50Hz, P=1/N/PE~220-240V 50Hz

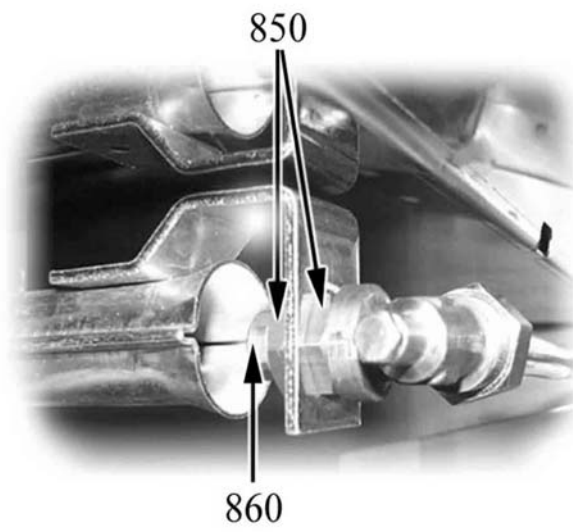
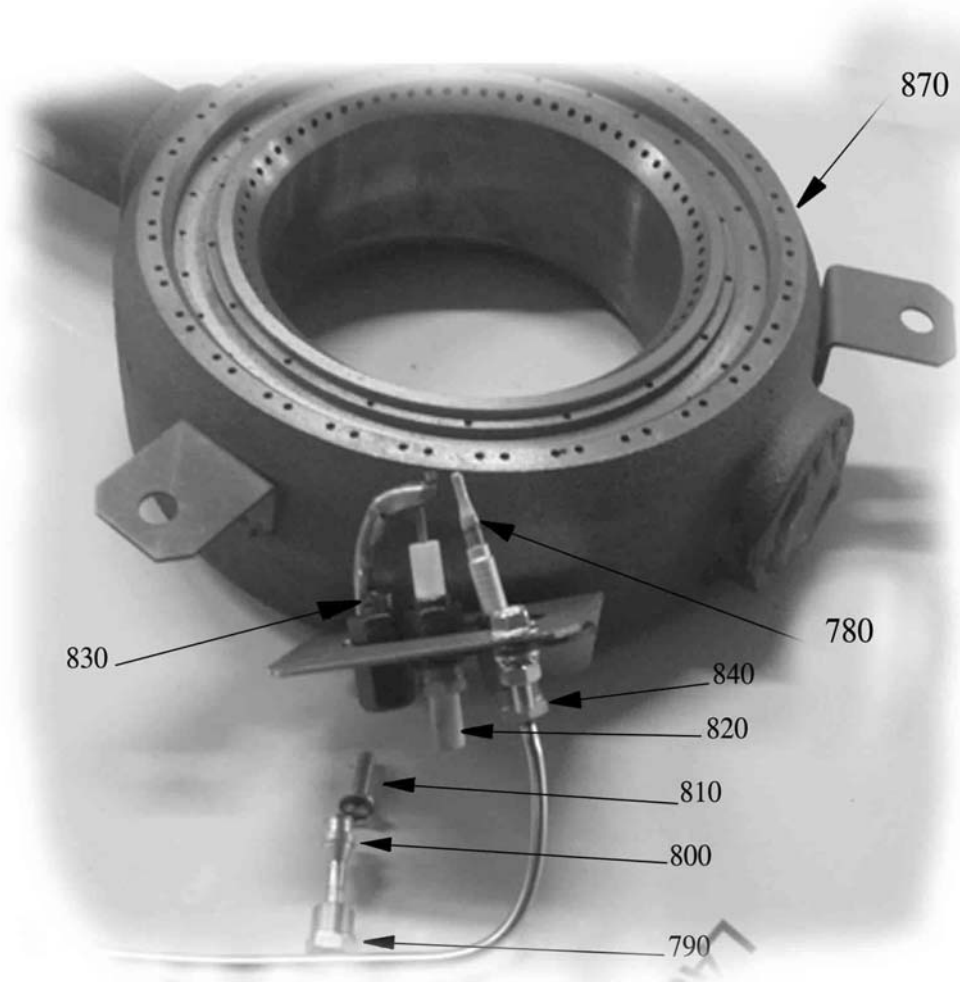


## Parti di ricambio

| ID  | Modello | Tipo                            | Voltaggio | Descrizione                  | Codici del produttore |
|---|---------|---------------------------------|-----------|------------------------------|-----------------------|
| <b>Module: Componenti forno elettrico e armadio caldo</b> |         |                                 |           |                              |                       |
| 80  |         | 800FE,120FE,120MFE,800MFE,160FE |           | Segnalatore luminoso verde   | 826650050             |
| 81  |         | 800FE,120FE,120MFE,800MFE,160FE |           | Gemma bianca                 | 6A039207              |
| 190   |         | 800FE,120FE,120MFE,800MFE,160FE |           | Segnalatore luminoso arancio | 6A038506              |
| 220   |         | 800FE,120FE,120MFE,800MFE,160FE |           | Resistenza 1500 W            | 826620041             |
| 660   |         | 800FE,120FE,120MFE,800MFE,160FE |           | Commutatore                  | 6A046750              |
| 670   |         | 800FE,120FE,120MFE,800MFE,160FE |           | Termostato                   | 826630123             |
| 680   |         | 800FE,120FE,120MFE,800MFE,160FE |           | Termostato sicurezza         | 826630130             |
| 690   |         | 800FE,120FE,120MFE,800MFE,160FE |           | Commutatore                  | 6A046001              |

800=7TP/G800, 800M=7TPM/G800 SX, 120M=7TPM/G120, 160=7TP/G160, 800V=7TPV/G800, 800MV=7TPMV/G800 SX, 120MV=7TPMV/G120, 160V=7TPV/G160, 800F=7TPF/G800, 800FE=7TPF/GE800, 120F=7TPF/G120, 120FE=7TPF/GE120, 120MF=7TPMF/G120, 120MFE=7TPMF/GE120, 800MF=7TPMF/G800 SX, 800MFE=7TPMF/GE800 SX, 160F=7TP2F/G160, 160FE=7TP2F/GE160

A=3/N/PE~400/230V 50Hz, H=3/PE~230V 50Hz, P=1/N/PE~220-240V 50Hz



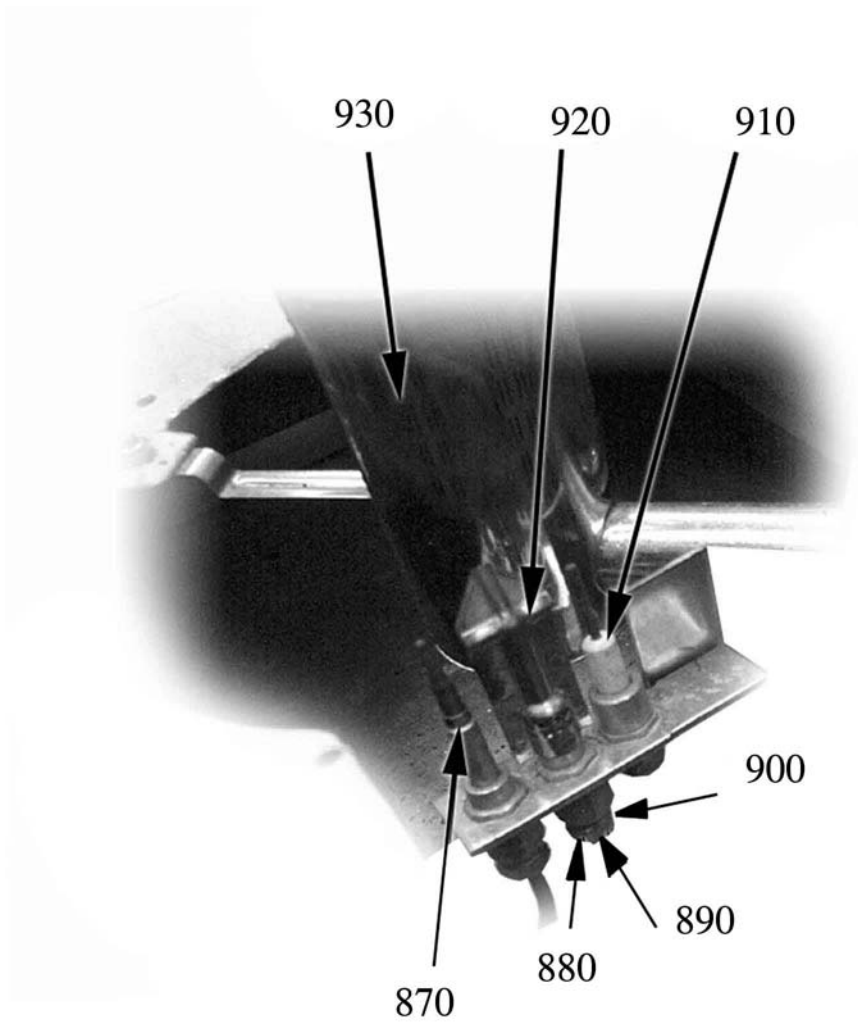


## Parti di ricambio

| ID  | Modello | Tipo   | Voltaggio | Descrizione            | Codici del produttore |
|---|---------|--|-----------|------------------------|-----------------------|
| <b>Module: Componenti forno elettrico e armadio caldo</b> |         |  |           |                        |                       |
| 780   |         | 800,120S,120D,160,800V,120SV,120DV,160V,800F,800FE,120F,120FE,160F,160FE |           | Termocoppia            |                       |
| 790   |         | 800,120S,120D,160,800V,120SV,120DV,160V,800F,800FE,120F,120FE,160F,160FE |           | Dado                   |                       |
| 800   |         | 800,120S,120D,160,800V,120SV,120DV,160V,800F,800FE,120F,120FE,160F,160FE |           | Bicono                 |                       |
| 810   |         | 800,120S,120D,160,800V,120SV,120DV,160V,800F,800FE,120F,120FE,160F,160FE |           | Ugello                 |                       |
| 820   |         | 800,120S,120D,160,800V,120SV,120DV,160V,800F,800FE,120F,120FE,160F,160FE |           | Candela di accensione  |                       |
| 830   |         | 800,120S,120D,160,800V,120SV,120DV,160V,800F,800FE,120F,120FE,160F,160FE |           | Pilota                 |                       |
| 870   |         | 800,120S,120D,160,800V,120SV,120DV,160V,800F,800FE,120F,120FE,160F,160FE |           | Bruciatore tuttapietra |                       |
| 840   |         | 800,120S,120D,160,800V,120SV,120DV,160V,800F,800FE,120F,120FE,160F,160FE |           | Controdado             |                       |
| 850   |         | 800,120S,120D,160,800V,120SV,120DV,160V,800F,800FE,120F,120FE,160F,160FE |           | Conrtodado             |                       |
| 860   |         | 800,120S,120D,160,800V,120SV,120DV,160V,800F,800FE,120F,120FE,160F,160FE |           | Ugello D 2.50          |                       |
| 860   |         | 800,120S,120D,160,800V,120SV,120DV,160V,800F,800FE,120F,120FE,160F,160FE |           | Ugello D 1.65          |                       |
| 860   |         | 800,120S,120D,160,800V,120SV,120DV,160V,800F,800FE,120F,120FE,160F,160FE |           | Ugello D 2.70          |                       |
| 860   |         | 800,120S,120D,160,800V,120SV,120DV,160V,800F,800FE,120F,120FE,160F,160FE |           | Ugello D145 GPL        |                       |

800=7TP/G800, 800M=7TPM/G800 SX, 120M=7TPM/G120, 160=7TP/G160, 800V=7TPV/G800, 800MV=7TPMV/G800 SX, 120MV=7TPMV/G120, 160V=7TPV/G160, 800F=7TPF/G800, 800FE=7TPF/GE800, 120F=7TPF/G120, 120FE=7TPF/GE120, 120MF=7TPMF/G120, 120MFE=7TPMF/GE120, 800MF=7TPMF/G800 SX, 800MFE=7TPMF/GE800 SX, 160F=7TP2F/G160, 160FE=7TP2F/GE160

A=3/N/PE~400/230V 50Hz, H=3/PE~230V 50Hz, P=1/N/PE~220-240V 50Hz

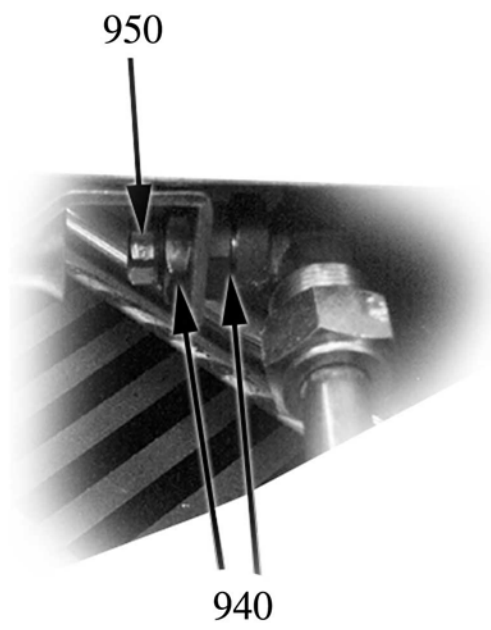


## Parti di ricambio

| ID  | Modello | Tipo  | Voltaggio | Descrizione            | Codici del produttore |
|---|---------|---|-----------|------------------------|-----------------------|
| <b>Module: Componenti forno elettrico e armadio caldo</b> |         |   |           |                        |                       |
| 870   |         | 800M,120M,800MV,120MV,120MF,120MFE,800MF,800MFE |           | Termocoppia            |                       |
| 880   |         | 800M,120M,800MV,120MV,120MF,120MFE,800MF,800MFE |           | Dado                   |                       |
| 890   |         | 800M,120M,800MV,120MV,120MF,120MFE,800MF,800MFE |           | Bicono                 |                       |
| 900   |         | 800M,120M,800MV,120MV,120MF,120MFE,800MF,800MFE |           | Ugello 27.2            |                       |
| 900   |         | 800M,120M,800MV,120MV,120MF,120MFE,800MF,800MFE |           | Ugello                 |                       |
| 910   |         | 800M,120M,800MV,120MV,120MF,120MFE,800MF,800MFE |           | Candela di accensione  |                       |
| 920   |         | 800M,120M,800MV,120MV,120MF,120MFE,800MF,800MFE |           | Pilota                 |                       |
| 930   |         | 800M,120M,800MV,120MV,120MF,120MFE,800MF,800MFE |           | Bruciatore tuttapietra |                       |

800=7TP/G800, 800M=7TPM/G800 SX, 120M=7TPM/G120, 160=7TP/G160, 800V=7TPV/G800, 800MV=7TPMV/G800 SX, 120MV=7TPMV/G120, 160V=7TPV/G160, 800F=7TPF/G800, 800FE=7TPF/GE800, 120F=7TPF/G120, 120FE=7TPF/GE120, 120MF=7TPMF/G120, 120MFE=7TPMF/GE120, 800MF=7TPMF/G800 SX, 800MFE=7TPMF/GE800 SX, 160F=7TP2F/G160, 160FE=7TP2F/GE160

A=3/N/PE~400/230V 50Hz, H=3/PE~230V 50Hz, P=1/N/PE~220-240V 50Hz



**Parti di ricambio**

| ID  | Modello | Tipo  | Voltaggio | Descrizione | Codici del produttore |
|---|---------|---|-----------|-------------|-----------------------|
| <b>Module: Componenti forno elettrico e armadio caldo</b> |         |   |           |             |                       |
| 940   |         | 800M,120M,800MV,120MV,120MF,120MFE,800MF,800MFE |           | Controdado  |                       |
| 950   |         | 800M,120M,800MV,120MV,120MF,120MFE,800MF,800MFE |           | Ugello 120  |                       |
| 950   |         | 800M,120M,800MV,120MV,120MF,120MFE,800MF,800MFE |           | Ugello 180  |                       |

800=7TP/G800, 800M=7TPM/G800 SX, 120M=7TPM/G120, 160=7TP/G160, 800V=7TPV/G800, 800MV=7TPMV/G800 SX, 120MV=7TPMV/G120, 160V=7TPV/G160, 800F=7TPF/G800, 800FE=7TPF/GE800, 120F=7TPF/G120, 120FE=7TPF/GE120, 120MF=7TPMF/G120, 120MFE=7TPMF/GE120, 800MF=7TPMF/G800 SX, 800MFE=7TPMF/GE800 SX, 160F=7TP2F/G160, 160FE=7TP2F/GE160

A=3/N/PE~400/230V 50Hz, H=3/PE~230V 50Hz, P=1/N/PE~220-240V 50Hz

