

CUCINE TUTTAPIASTRA A GAS Serie 700

TIPO: 7TP/G800, 7TP/G120 DX, 7TP/G120 SX, 7TPM/G800 SX, 7TPM/G120, 7TP/G160,
7TPV/G800, 7TPV/G120 SX, 7TPV/G120 DX, 7TPMV/G800 SX, 7TPMV/G120, 7TPV/
G160, 7TPF/G800, 7TPF/GE800, 7TPF/G120, 7TPF/GE120, 7TPMF/G120, 7TPMF/GE120,
7TPMF/G800 SX, 7TPMF/GE800 SX, 7TP2F/G160, 7TP2F/GE160

Ricambi



9. Parti di ricambio

| | |
|---|-----------|
| Parti esterne fuochi | 73 |
| Parti esterne forno gas ed elettrico | 75 |
| Bruciatori e condutture fuochi aperti. | 77 |
| Bruciatori e condutture fuochi aperti. | 81 |
| Rubinetto..... | 83 |
| Componenti forno a gas | 85 |
| Componenti forno elettrico | 87 |
| Bruciatore tuttapiastra 1 modulo | 89 |
| Bruciatore tuttapiastra 1/2 modulo.. | 91 |

9.1 Codici di voltaggio

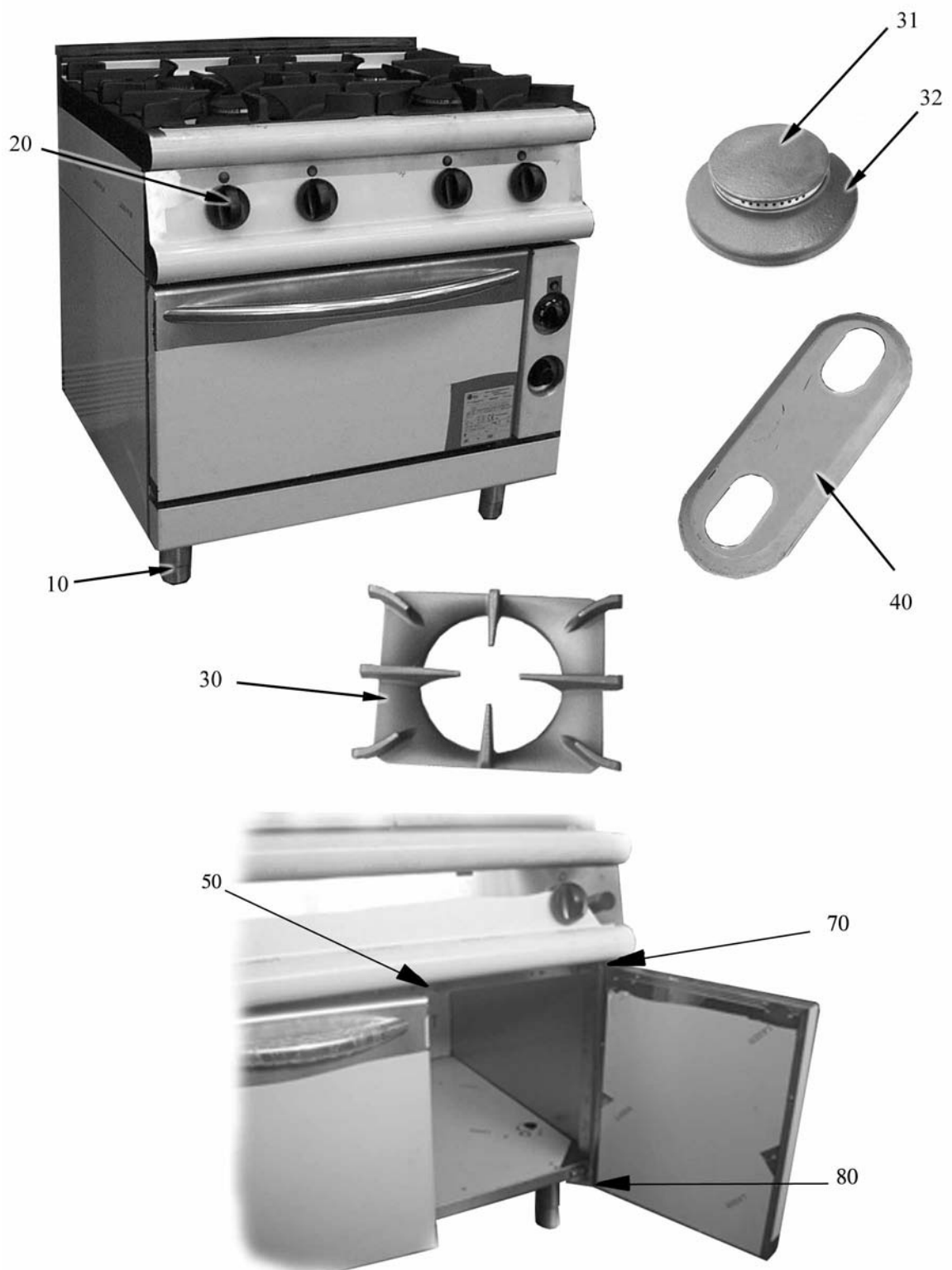
| Voltaggio | Codice di voltaggio |
|-----------|----------------------|
| A | 3/N/PE~400/230V 50Hz |
| B | ~250V 16A 50Hz |
| C | 3/N/PE~380/220V 50Hz |
| D | 3/PE~200V 50-60Hz |
| F | 2/PE 220-240V 50Hz |
| G | 3/N/PE~415/240V 50Hz |
| H | 3/PE~230V 50Hz |
| I | 3/PE~220V 60Hz |
| J | 3/PE~380 50Hz |
| K | 3/PE~400V 50Hz |
| L | 3/PE~415V 50Hz |
| M | 3/PE~440V 60Hz |
| N | 3/PE~460V 60Hz |
| O | 3/PE~480V 60Hz |
| P | 1/N/PE~220-240V 50Hz |
| R | 2/PE~220-230V 60Hz |
| S | 3/N/PE~400/230V 50Hz |
| T | 3/PE~230V 60Hz |
| U | 1/N/PE~100V 50-60Hz |

9.2 Codici dei prodotti

| Codici del prodotto | Nome completo |
|---------------------|---------------|
| Codici dei modelli | |
| Codici dei tipi | |
| 800 | 7TP/G800 |
| 120D | 7TP/G120 DX |
| 120S | 7TP/G120 SX |
| 800M | 7TPM/G800 SX |
| 120M | 7TPM/G120 |
| 160 | 7TP/G160 |
| 800V | 7TPV/G800 |
| 120S | 7TPV/G120 SX |
| 120D | 7TPV/G120 DX |
| 800MV | 7TPMV/G800 |
| 120MV | 7TPMV/G120 |
| 160V | 7TPV/G160 |
| 800F | 7TPF/G800 |
| 800FE | 7TPF/GE800 |
| 120F | 7TPF/G120 |
| 120FE | 7TPF/GE120 |
| 120MF | 7TPMF/G120 |

Parti di ricambio

| Codici del prodotto | Nome completo |
|------------------------|---------------|
| 120MFE | 7TPMF/GE120 |
| 800MF | 7TPMF/G800 SX |
| 800MFE | 7TPMF/GE800 |
| 160F | 7TP2F/G160 |
| 160FE | 7TP2F/GE160 |
| Codici degli accessori | |

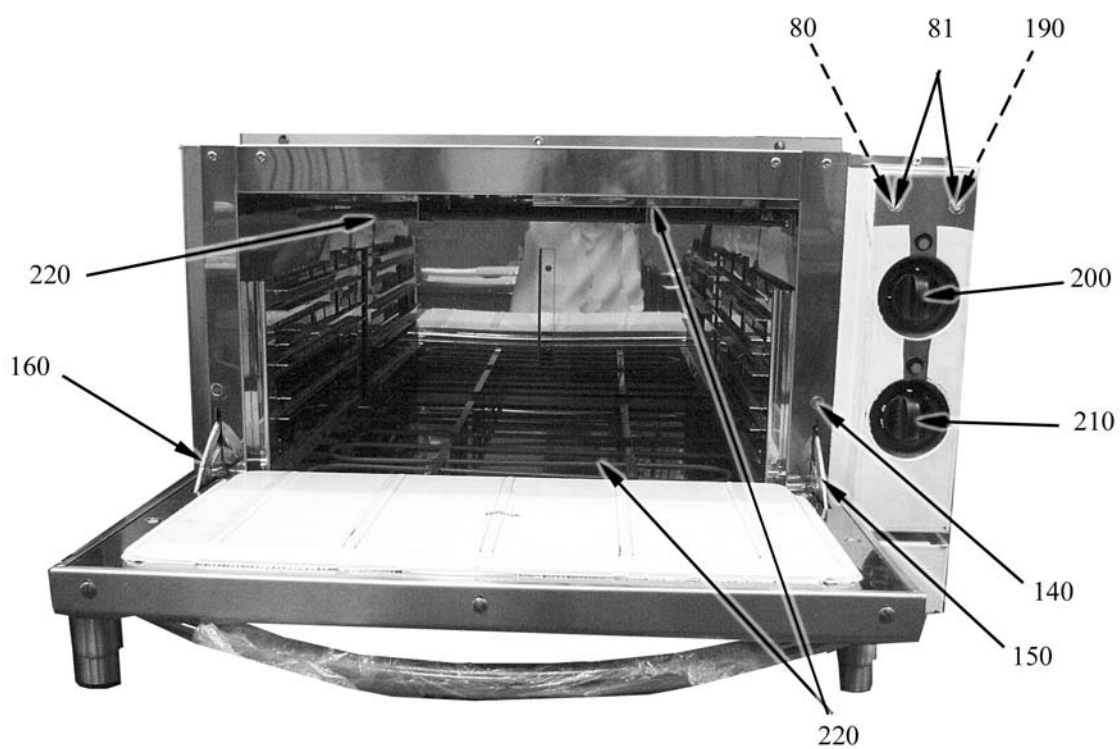


Parti di ricambio

| ID | Modello | Tipo | Voltaggio | Descrizione | Codici del produttore |
|---|---------|-------------------------|-----------|--|-----------------------|
| Module: Parti esterne fuochi e armadio caldo | | | | | |
| 10 | | | | Piedino | 826490142 |
| 20 | | | | Manopola cucina gas nera | 824710100 |
| 30 | | | | Griglia smaltata | 41822410390 |
| 31 | | | | Bruciatore (spartifiamma piccolo) | 822410071 |
| 31 | | | | Bruciatore (spartifiamma medio) | 822410081 |
| 32 | | | | Corpo Bruciatore piccolo | 822410041 |
| 32 | | | | Corpo Bruciatore medio | 822410051 |
| 40 | | | | Chisura superiore | 41821530120 |
| 50 | | 120MF,120MFE | | Magnete | 826900011 |
| 60 | | 120MF,120MFE | | Cerniera inferiore dx/superiore sx porta | 2547870 |
| 70 | | 120MF,120MFE,120F,120FE | | Cerniera inferiore sx/superiore dx porta | 2547860 |

800=7TP/G800, 800M=7TPM/G800 SX, 120M=7TPM/G120, 160=7TP/G160, 800V=7TPV/G800, 800MV=7TPMV/G800 SX, 120MV=7TPMV/G120, 160V=7TPV/G160, 800F=7TPF/G800, 800FE=7TPF/GE800, 120F=7TPF/G120, 120FE=7TPF/GE120, 120MF=7TPMF/G120, 120MFE=7TPMF/GE120, 800MF=7TPMF/G800 SX, 800MFE=7TPMF/GE800 SX, 160F=7TP2F/G160, 160FE=7TP2F/GE160

A=3/N/PE~400/230V 50Hz, H=3/PE~230V 50Hz, P=1/N/PE~220-240V 50Hz

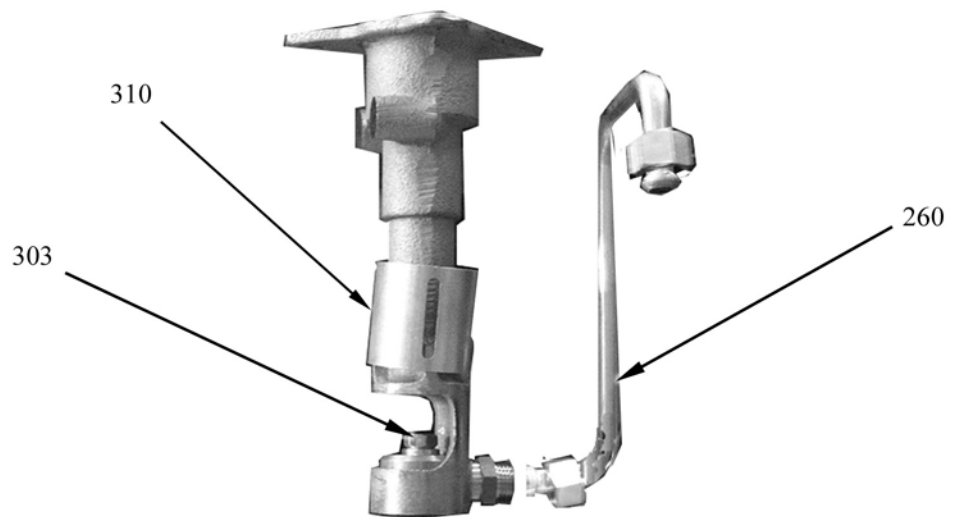
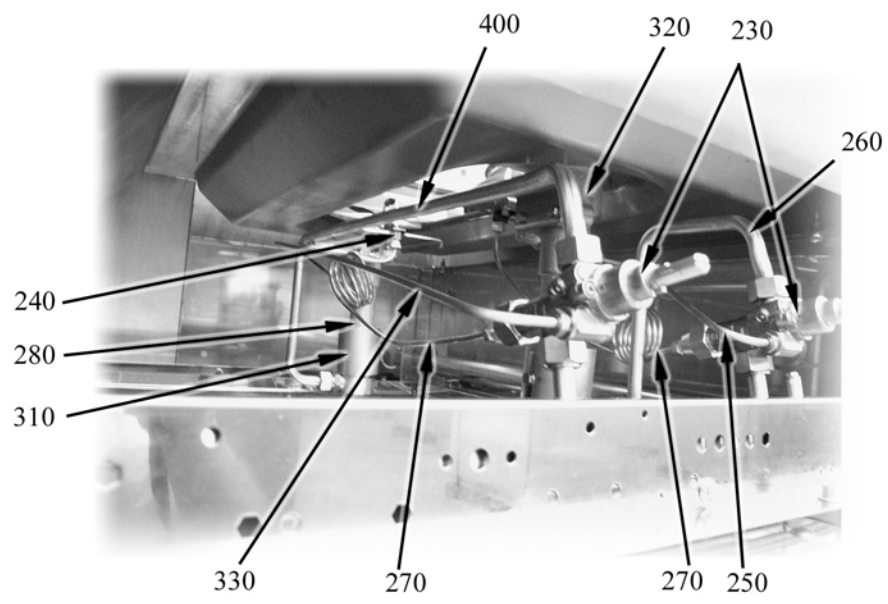


Parti di ricambio

| ID | Modello | Tipo | Voltaggio | Descrizione | Codici del produttore |
|---|---------|--|-----------|--------------------------------------|-----------------------|
| Module: Parti esterne forno gas ed elettrico | | | | | |
| 80 | | 800F,800FE,120F,120FE,120MF,120MFE,800MF,800MFE,160F,160FE | | Segnalatore luminoso verde | 826650050 |
| 81 | | 800F,800FE,120F,120FE,120MF,120MFE,800MF,800MFE,160F,160FE | | Gemma bianca | 6A039207 |
| 100 | | 800F,800FE,120F,120FE,120MF,120MFE,800MF,800MFE,160F,160FE | | Manopola nera per forno | 824710110 |
| 110 | | 800F,800FE,120F,120FE,120MF,120MFE,800MF,800MFE,160F,160FE | | Accensione piezoelettrica | 41826630020 |
| 120 | | 800F,800FE,120F,120FE,120MF,120MFE,800MF,800MFE,160F,160FE | | Rondella | 822160540 |
| 130 | | 800F,800FE,120F,120FE,120MF,120MFE,800MF,800MFE,160F,160FE | | Cappuccio | 826630420 |
| 140 | | 800F,800FE,120F,120FE,120MF,120MFE,800MF,800MFE,160F,160FE | | Portarullini per cerniera | 6A035930 |
| 150 | | 800F,800FE,120F,120FE,120MF,120MFE,800MF,800MFE,160F,160FE | | Cerniera dx | 6A035910 |
| 160 | | 800F,800FE,120F,120FE,120MF,120MFE,800MF,800MFE,160F,160FE | | Cerniera sx | 6A035920 |
| 170 | | 800F,800FE,120F,120FE,120MF,120MFE,800MF,800MFE,160F,160FE | | Suola forno | 41821410191 |
| 180 | | 800F,800FE,120F,120FE,120MF,120MFE,800MF,800MFE,160F,160FE | | Griglia | 41826330030 |
| 190 | | 800F,800FE,120F,120FE,120MF,120MFE,800MF,800MFE,160F,160FE | | Segnalatore luminoso arancio | 6A038506 |
| 200 | | 800F,800FE,120F,120FE,120MF,120MFE,800MF,800MFE,160F,160FE | | Manopola commutatore forno elettrico | 824710710 |
| 210 | | 800F,800FE,120F,120FE,120MF,120MFE,800MF,800MFE,160F,160FE | | Manopola forno elettrico nera | 824710270 |
| 220 | | 800F,800FE,120F,120FE,120MF,120MFE,800MF,800MFE,160F,160FE | | Resistenza 1500 W | 826620041 |

800=7TP/G800, 800M=7TPM/G800 SX, 120M=7TPM/G120, 160=7TP/G160, 800V=7TPV/G800, 800MV=7TPMV/G800 SX, 120MV=7TPMV/G120, 160V=7TPV/G160, 800F=7TPF/G800, 800FE=7TPF/GE800, 120F=7TPF/G120, 120FE=7TPF/GE120, 120MF=7TPMF/G120, 120MFE=7TPMF/GE120, 800MF=7TPMF/G800 SX, 800MFE=7TPMF/GE800 SX, 160F=7TP2F/G160, 160FE=7TP2F/GE160

A=3/N/PE~400/230V 50Hz, H=3/PE~230V 50Hz, P=1/N/PE~220-240V 50Hz



Parti di ricambio

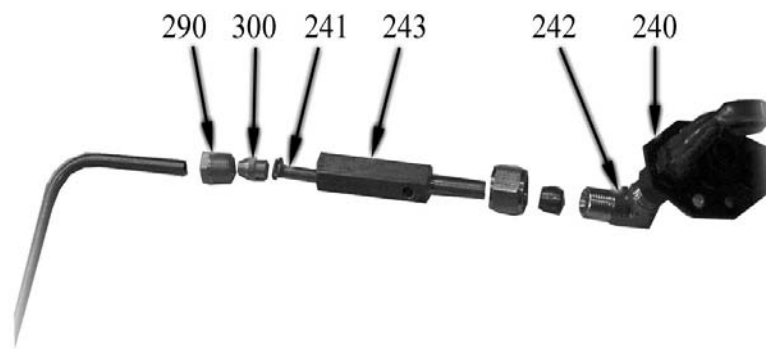
| ID | Tipo | Descrizione | Codici del produttore |
|--|--|---------------------------|-----------------------|
| Module: Bruciatori e condutture fuochi aperti | | | |
| 230 | 120S,120D,800M,120M,160,120SV,120DV,800MV,120MV,160V,120F,120FE,120MF,120MFE,800MF,800MFE,160F,160FE | Rubinetto | 6A011490 |
| 240 | 120S,120D,800M,120M,160,120SV,120DV,800MV,120MV,160V,120F,120FE,120MF,120MFE,800MF,800MFE,160F,160FE | Pilota | 41826920140 |
| 250 | 120S,120D,800M,120M,160,120SV,120DV,800MV,120MV,160V,120F,120FE,120MF,120MFE,800MF,800MFE,160F,160FE | Conduttura Rub./Pil. ant. | 41823561391 |
| 260 | 120S,120D,800M,120M,160,120SV,120DV,800MV,120MV,160V,120F,120FE,120MF,120MFE,800MF,800MFE,160F,160FE | Conduttura Rub./Bruc. ant | 41823561370 |
| 270 | 120S,120D,800M,120M,160,120SV,120DV,800MV,120MV,160V,120F,120FE,120MF,120MFE,800MF,800MFE,160F,160FE | Termocoppia | 826920080 |
| 280 | 120S,120D,800M,120M,160,120SV,120DV,800MV,120MV,160V,120F,120FE,120MF,120MFE,800MF,800MFE,160F,160FE | Venturi piccolo | 822410012 |
| 303 | 120S,120D,800M,120M,160,120SV,120DV,800MV,120MV,160V,120F,120FE,120MF,120MFE,800MF,800MFE,160F,160FE | Ugello L 80 | 822140270 |
| 303 | 120S,120D,800M,120M,160,120SV,120DV,800MV,120MV,160V,120F,120FE,120MF,120MFE,800MF,800MFE,160F,160FE | Ugello L 105 | 822140150 |
| 303 | 120S,120D,800M,120M,160,120SV,120DV,800MV,120MV,160V,120F,120FE,120MF,120MFE,800MF,800MFE,160F,160FE | Ugello L 95 | 822140140 |
| 303 | 120S,120D,800M,120M,160,120SV,120DV,800MV,120MV,160V,120F,120FE,120MF,120MFE,800MF,800MFE,160F,160FE | Ugello L 120 | 822140160 |
| 303 | 120S,120D,800M,120M,160,120SV,120DV,800MV,120MV,160V,120F,120FE,120MF,120MFE,800MF,800MFE,160F,160FE | Ugello 145 | 822140040 |
| 303 | 120S,120D,800M,120M,160,120SV,120DV,800MV,120MV,160V,120F,120FE,120MF,120MFE,800MF,800MFE,160F,160FE | Ugello 180 | 822140210 |
| 303 | 120S,120D,800M,120M,160,120SV,120DV,800MV,120MV,160V,120F,120FE,120MF,120MFE,800MF,800MFE,160F,160FE | Ugello 155 | 822140190 |
| 303 | 120S,120D,800M,120M,160,120SV,120DV,800MV,120MV,160V,120F,120FE,120MF,120MFE,800MF,800MFE,160F,160FE | Ugello 200 | 822140220 |
| 303 | 120S,120D,800M,120M,160,120SV,120DV,800MV,120MV,160V,120F,120FE,120MF,120MFE,800MF,800MFE,160F,160FE | Ugello 135 | |
| 303 | 120S,120D,800M,120M,160,120SV,120DV,800MV,120MV,160V,120F,120FE,120MF,120MFE,800MF,800MFE,160F,160FE | Ugello 115 | |

Parti di ricambio

| ID | Tipo | Descrizione | Codici del produttore |
|-----|--|-----------------------------|-----------------------|
| 303 | 120S,120D,800M,120M,160,120SV,120DV,800MV,120MV,160V,120F,120FE,120MF,120MFE,800MF,800MFE,160F,160FE | Ugello 225 | |
| 310 | 120S,120D,800M,120M,160,120SV,120DV,800MV,120MV,160V,120F,120FE,120MF,120MFE,800MF,800MFE,160F,160FE | Regolatore d'aria | 822120020 |
| 320 | 120S,120D,800M,120M,160,120SV,120DV,800MV,120MV,160V,120F,120FE,120MF,120MFE,800MF,800MFE,160F,160FE | Venturi medio | 822410022 |
| 321 | 120S,120D,800M,120M,160,120SV,120DV,800MV,120MV,160V,120F,120FE,120MF,120MFE,800MF,800MFE,160F,160FE | Venturi piccolo | 822410012 |
| 322 | 120S,120D,800M,120M,160,120SV,120DV,800MV,120MV,160V,120F,120FE,120MF,120MFE,800MF,800MFE,160F,160FE | Venturi grande | 822410032 |
| 330 | 120S,120D,800M,120M,160,120SV,120DV,800MV,120MV,160V,120F,120FE,120MF,120MFE,800MF,800MFE,160F,160FE | Conduttura Rub./Pil. post. | 41823561381 |
| 400 | 120S,120D,800M,120M,160,120SV,120DV,800MV,120MV,160V,120F,120FE,120MF,120MFE,800MF,800MFE,160F,160FE | Conduttura Rub./Bruc. Post. | 41823561360 |

800=7TP/G800, 800M=7TPM/G800 SX, 120M=7TPM/G120, 160=7TP/G160, 800V=7TPV/G800, 800MV=7TPMV/G800 SX, 120MV=7TPMV/G120, 160V=7TPV/G160, 800F=7TPF/G800, 800FE=7TPF/GE800, 120F=7TPF/G120, 120FE=7TPF/GE120, 120MF=7TPMF/G120, 120MFE=7TPMF/GE120, 800MF=7TPMF/G800 SX, 800MFE=7TPMF/GE800 SX, 160F=7TP2F/G160, 160FE=7TP2F/GE160

A=3/N/PE~400/230V 50Hz, H=3/PE~230V 50Hz, P=1/N/PE~220-240V 50Hz

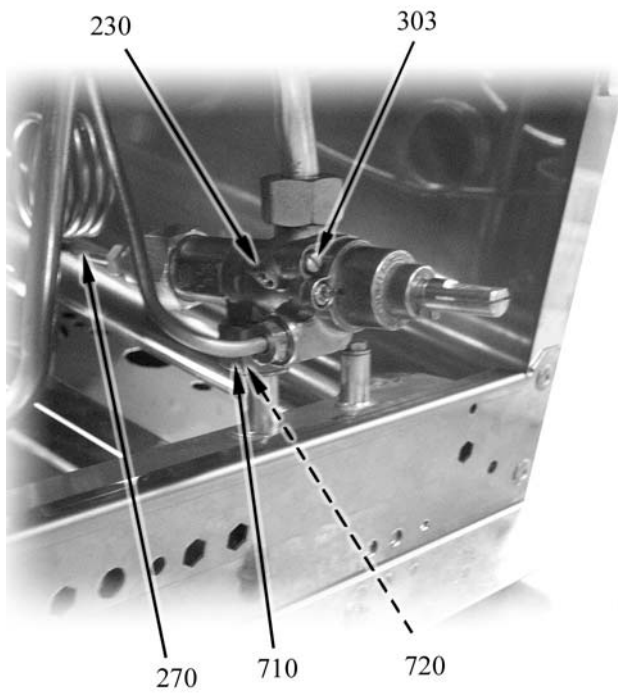


Parti di ricambio

| ID | Modello | Tipo | Voltaggio | Descrizione | Codici del produttore |
|--|---------|--|-----------|------------------------|-----------------------|
| Module: Bruciatori e condutture fuochi aperti | | | | | |
| 240 | | 120S,120D,800M,120M,160,120SV,120DV,800MV,120MV,160V,120F,120FE,120MF,120MFE,800MF,800MFE,160F,160FE | | Pilota | 41826920140 |
| 241 | | 120S,120D,800M,120M,160,120SV,120DV,800MV,120MV,160V,120F,120FE,120MF,120MFE,800MF,800MFE,160F,160FE | | Ugello 19 | 822140380 |
| 241 | | 120S,120D,800M,120M,160,120SV,120DV,800MV,120MV,160V,120F,120FE,120MF,120MFE,800MF,800MFE,160F,160FE | | Ugello 27 | 6A013107 |
| 242 | | 120S,120D,800M,120M,160,120SV,120DV,800MV,120MV,160V,120F,120FE,120MF,120MFE,800MF,800MFE,160F,160FE | | Raccordo 90 | 822450610 |
| 243 | | 120S,120D,800M,120M,160,120SV,120DV,800MV,120MV,160V,120F,120FE,120MF,120MFE,800MF,800MFE,160F,160FE | | Prolunga pilota fuochi | 822160460 |
| 290 | | 120S,120D,800M,120M,160,120SV,120DV,800MV,120MV,160V,120F,120FE,120MF,120MFE,800MF,800MFE,160F,160FE | | Raccordo bicono | 822450040 |
| 300 | | 120S,120D,800M,120M,160,120SV,120DV,800MV,120MV,160V,120F,120FE,120MF,120MFE,800MF,800MFE,160F,160FE | | Bicono | 822450050 |

800=7TP/G800, 800M=7TPM/G800 SX, 120M=7TPM/G120, 160=7TP/G160, 800V=7TPV/G800, 800MV=7TPMV/G800 SX, 120MV=7TPMV/G120, 160V=7TPV/G160, 800F=7TPF/G800, 800FE=7TPF/GE800, 120F=7TPF/G120, 120FE=7TPF/GE120, 120MF=7TPMF/G120, 120MFE=7TPMF/GE120, 800MF=7TPMF/G800 SX, 800MFE=7TPMF/GE800 SX, 160F=7TP2F/G160, 160FE=7TP2F/GE160

A=3/N/PE~400/230V 50Hz, H=3/PE~230V 50Hz, P=1/N/PE~220-240V 50Hz

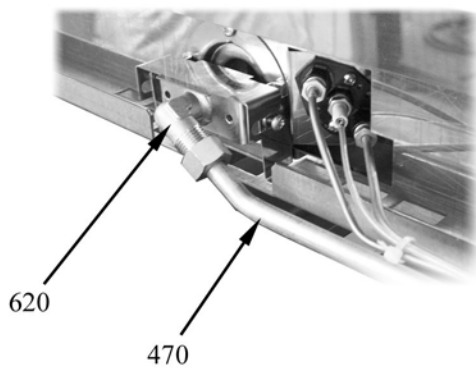
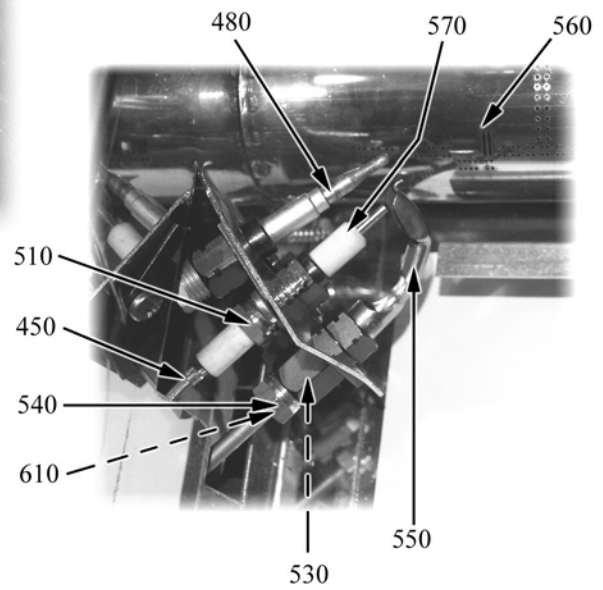
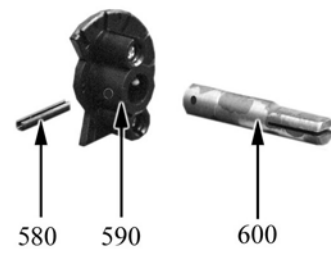
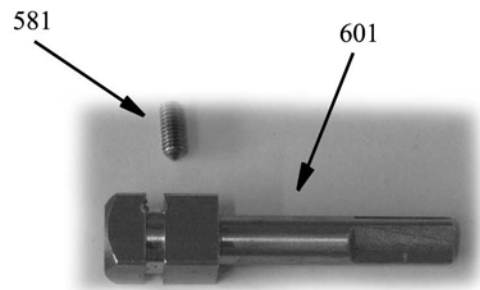
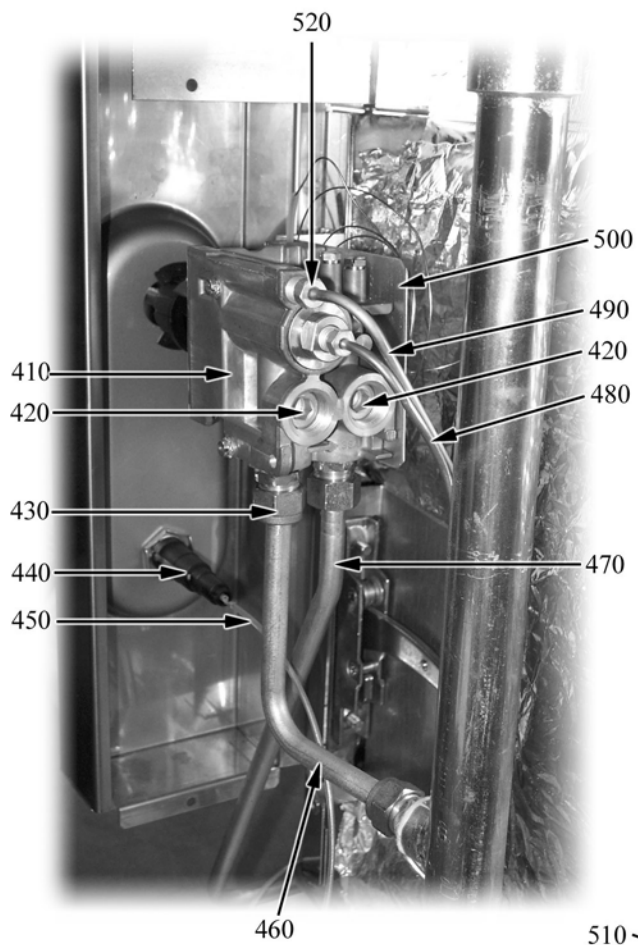


Parti di ricambio

| ID | Modello | Tipo | Voltaggio | Descrizione | Codici del produttore |
|-------------------------|---------|--|-----------|--------------------|-----------------------|
| Module:Rubinetto | | | | | |
| 230 | | 120S,120D,800M,120M,160,120SV,120DV,800MV,120MV,160V,120F,120FE,120MF,120MFE,800MF,800MFE,160F,160FE | | Rubinetto | 6A011490 |
| 270 | | 120S,120D,800M,120M,160,120SV,120DV,800MV,120MV,160V,120F,120FE,120MF,120MFE,800MF,800MFE,160F,160FE | | Termocoppia | 826920080 |
| 303 | | 120S,120D,800M,120M,160,120SV,120DV,800MV,120MV,160V,120F,120FE,120MF,120MFE,800MF,800MFE,160F,160FE | | Vite di minimo 80 | 822450240 |
| 303 | | 120S,120D,800M,120M,160,120SV,120DV,800MV,120MV,160V,120F,120FE,120MF,120MFE,800MF,800MFE,160F,160FE | | Vite di minimo 120 | 822450280 |
| 303 | | 120S,120D,800M,120M,160,120SV,120DV,800MV,120MV,160V,120F,120FE,120MF,120MFE,800MF,800MFE,160F,160FE | | Vite di minimo 50 | 822450210 |
| 303 | | 120S,120D,800M,120M,160,120SV,120DV,800MV,120MV,160V,120F,120FE,120MF,120MFE,800MF,800MFE,160F,160FE | | Vite di minimo 75 | 822450230 |
| 303 | | 120S,120D,800M,120M,160,120SV,120DV,800MV,120MV,160V,120F,120FE,120MF,120MFE,800MF,800MFE,160F,160FE | | Vite di minimo 90 | 822450260 |
| 303 | | 120S,120D,800M,120M,160,120SV,120DV,800MV,120MV,160V,120F,120FE,120MF,120MFE,800MF,800MFE,160F,160FE | | Vite di minimo 130 | 822450290 |
| 303 | | 120S,120D,800M,120M,160,120SV,120DV,800MV,120MV,160V,120F,120FE,120MF,120MFE,800MF,800MFE,160F,160FE | | Vite di minimo 45 | 6A023722 |
| 303 | | 120S,120D,800M,120M,160,120SV,120DV,800MV,120MV,160V,120F,120FE,120MF,120MFE,800MF,800MFE,160F,160FE | | Vite di minimo 65 | 6A023723 |
| 710 | | 120S,120D,800M,120M,160,120SV,120DV,800MV,120MV,160V,120F,120FE,120MF,120MFE,800MF,800MFE,160F,160FE | | Dado | 6A011485 |
| 720 | | 120S,120D,800M,120M,160,120SV,120DV,800MV,120MV,160V,120F,120FE,120MF,120MFE,800MF,800MFE,160F,160FE | | Bicono | 6A011480 |

800=7TP/G800, 800M=7TPM/G800 SX, 120M=7TPM/G120, 160=7TP/G160, 800V=7TPV/G800, 800MV=7TPMV/G800 SX, 120MV=7TPMV/G120, 160V=7TPV/G160, 800F=7TPF/G800, 800FE=7TPF/GE800, 120F=7TPF/G120, 120FE=7TPF/GE120, 120MF=7TPMF/G120, 120MFE=7TPMF/GE120, 800MF=7TPMF/G800 SX, 800MFE=7TPMF/GE800 SX, 160F=7TP2F/G160, 160FE=7TP2F/GE160

A=3/N/PE~400/230V 50Hz, H=3/PE~230V 50Hz, P=1/N/PE~220-240V 50Hz

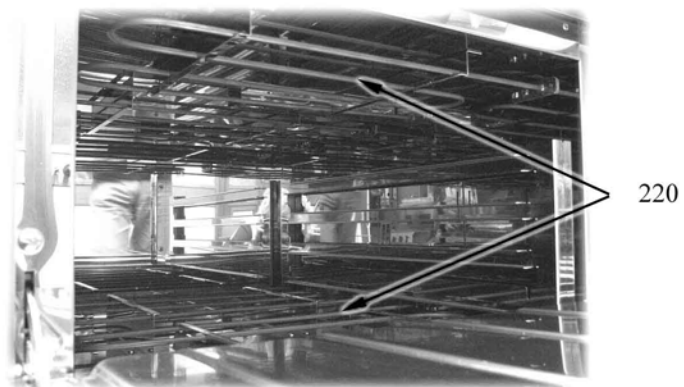
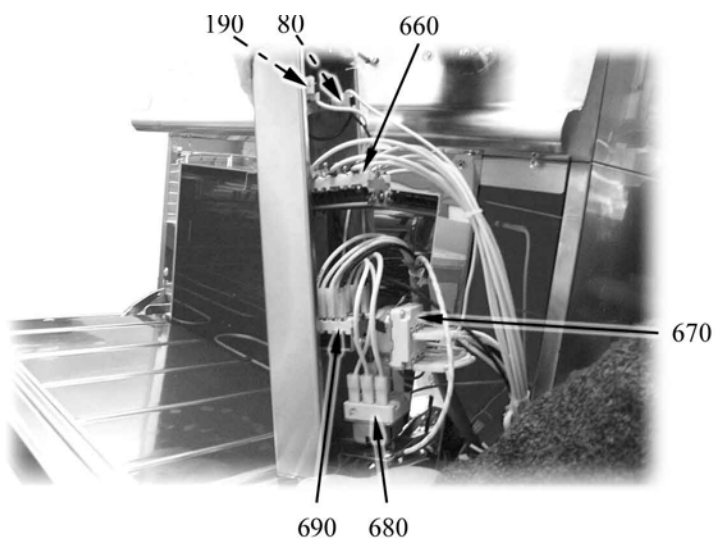


Parti di ricambio

| ID | Modello | Tipo | Voltaggio | Descrizione | Codici del produttore |
|---|---------|----------------------------|-----------|-------------------------------------|-----------------------|
| Module: Componenti forno a gas (valvola, regolazione aria, bruciatore) | | | | | |
| 410 | | 800F,120F,120MF,800MF,160F | | Valvola | 826920012 |
| 420 | | 800F,120F,120MF,800MF,160F | | Tappo | 8219951 |
| 430 | | 800F,120F,120MF,800MF,160F | | Raccordo | 822450170 |
| 440 | | 800F,120F,120MF,800MF,160F | | Accensione piezoelettrica | 41826630020 |
| 450 | | 800F,120F,120MF,800MF,160F | | Cavo d'accensione | 2510698 |
| 460 | | 800F,120F,120MF,800MF,160F | | Conduttura Valvola/Rampa | 2514615 |
| 470 | | 800F,120F,120MF,800MF,160F | | Conduttura Valvola/Bruciatore forno | 823560060 |
| 480 | | 800F,120F,120MF,800MF,160F | | Termocoppia | 826920080 |
| 490 | | 800F,120F,120MF,800MF,160F | | Conduttura Valvola/Pilota forno | 823560070 |
| 500 | | 800F,120F,120MF,800MF,160F | | Squadretta | 41821120040 |
| 510 | | 800F,120F,120MF,800MF,160F | | Raccordo | 6A011707 |
| 520 | | 800F,120F,120MF,800MF,160F | | Raccordo bicono | 6A011608 |
| 530 | | 800F,120F,120MF,800MF,160F | | Ugello 19 | 822140380 |
| 530 | | 800F,120F,120MF,800MF,160F | | Ugello 27 | 6A013107 |
| 540 | | 800F,120F,120MF,800MF,160F | | Raccordo | 822450040 |
| 550 | | 800F,120F,120MF,800MF,160F | | Pilota | 826920070 |
| 560 | | 800F,120F,120MF,800MF,160F | | Bruciatore | 2510697 |
| 570 | | 800F,120F,120MF,800MF,160F | | Candela | 6A013301 |
| 580 | | 800F,120F,120MF,800MF,160F | | Spina elastica | 418227993140 |
| 581 | | 800F,120F,120MF,800MF,160F | | Grano di fissaggio | 6A009190 |
| 590 | | 800F,120F,120MF,800MF,160F | | Flangia | 2518660 |
| 600 | | 800F,120F,120MF,800MF,160F | | Attacco manopola | 2518650 |
| 581 | | 800F,120F,120MF,800MF,160F | | Attacco manopola | 2518660 |
| 610 | | 800F,120F,120MF,800MF,160F | | Bicono | 822450050 |
| 620 | | 800F,120F,120MF,800MF,160F | | Raccordo | 822450010 |

800=7TP/G800, 800M=7TPM/G800 SX, 120M=7TPM/G120, 160=7TP/G160, 800V=7TPV/G800, 800MV=7TPMV/G800 SX, 120MV=7TPMV/G120, 160V=7TPV/G160, 800F=7TPF/G800, 800FE=7TPF/GE800, 120F=7TPF/G120, 120FE=7TPF/GE120, 120MF=7TPMF/G120, 120MFE=7TPMF/GE120, 800MF=7TPMF/G800 SX, 800MFE=7TPMF/GE800 SX, 160F=7TP2F/G160, 160FE=7TP2F/GE160

A=3/N/PE~400/230V 50Hz, H=3/PE~230V 50Hz, P=1/N/PE~220-240V 50Hz

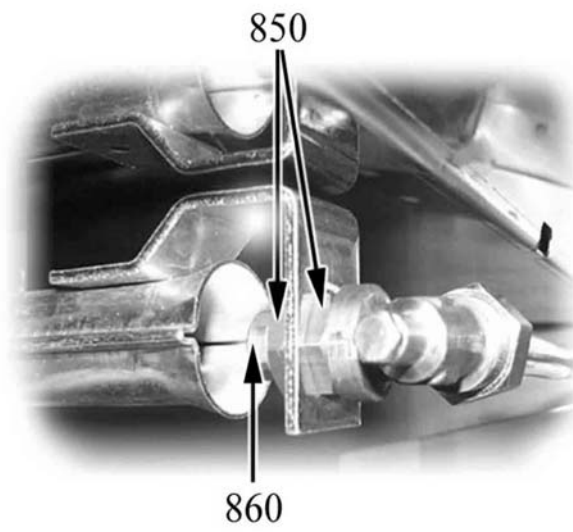
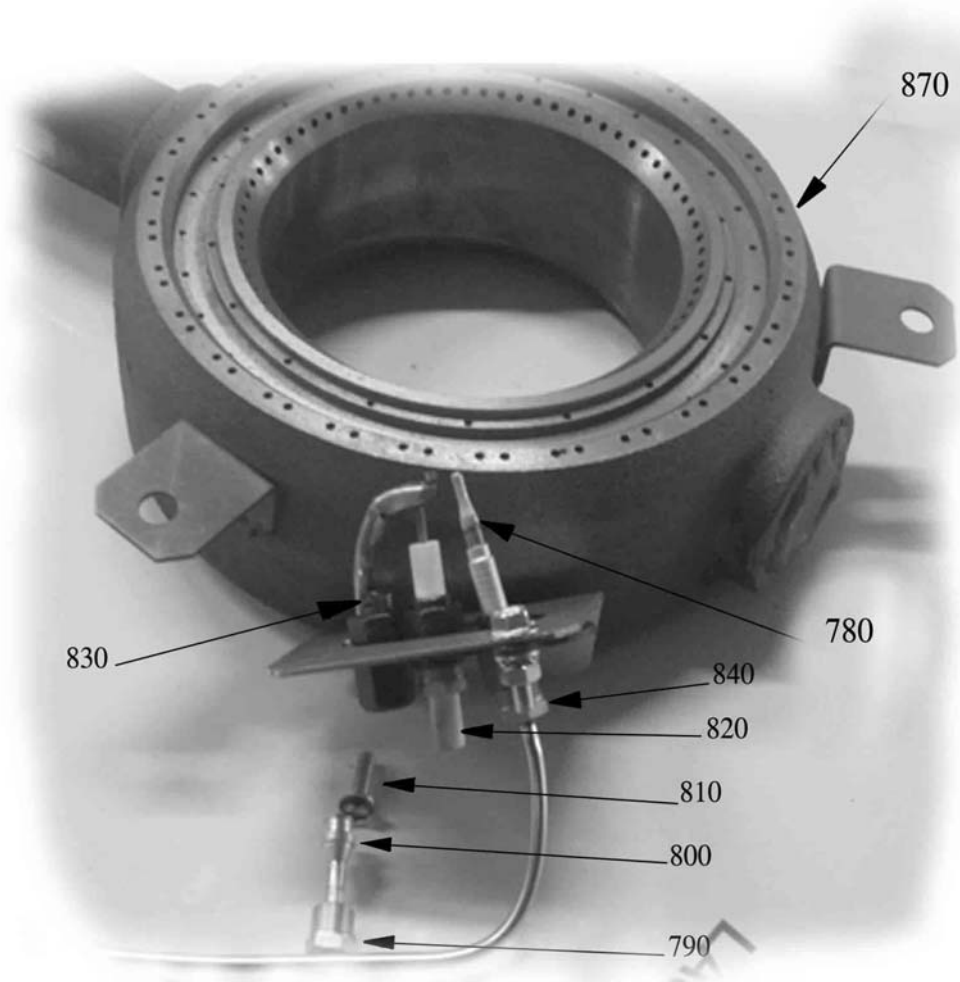


Parti di ricambio

| ID | Modello | Tipo | Voltaggio | Descrizione | Codici del produttore |
|---|---------|---------------------------------|-----------|------------------------------|-----------------------|
| Module: Componenti forno elettrico e armadio caldo | | | | | |
| 80 | | 800FE,120FE,120MFE,800MFE,160FE | | Segnalatore luminoso verde | 826650050 |
| 81 | | 800FE,120FE,120MFE,800MFE,160FE | | Gemma bianca | 6A039207 |
| 190 | | 800FE,120FE,120MFE,800MFE,160FE | | Segnalatore luminoso arancio | 6A038506 |
| 220 | | 800FE,120FE,120MFE,800MFE,160FE | | Resistenza 1500 W | 826620041 |
| 660 | | 800FE,120FE,120MFE,800MFE,160FE | | Commutatore | 6A046750 |
| 670 | | 800FE,120FE,120MFE,800MFE,160FE | | Termostato | 826630123 |
| 680 | | 800FE,120FE,120MFE,800MFE,160FE | | Termostato sicurezza | 826630130 |
| 690 | | 800FE,120FE,120MFE,800MFE,160FE | | Commutatore | 6A046001 |

800=7TP/G800, 800M=7TPM/G800 SX, 120M=7TPM/G120, 160=7TP/G160, 800V=7TPV/G800, 800MV=7TPMV/G800 SX, 120MV=7TPMV/G120, 160V=7TPV/G160, 800F=7TPF/G800, 800FE=7TPF/GE800, 120F=7TPF/G120, 120FE=7TPF/GE120, 120MF=7TPMF/G120, 120MFE=7TPMF/GE120, 800MF=7TPMF/G800 SX, 800MFE=7TPMF/GE800 SX, 160F=7TP2F/G160, 160FE=7TP2F/GE160

A=3/N/PE~400/230V 50Hz, H=3/PE~230V 50Hz, P=1/N/PE~220-240V 50Hz

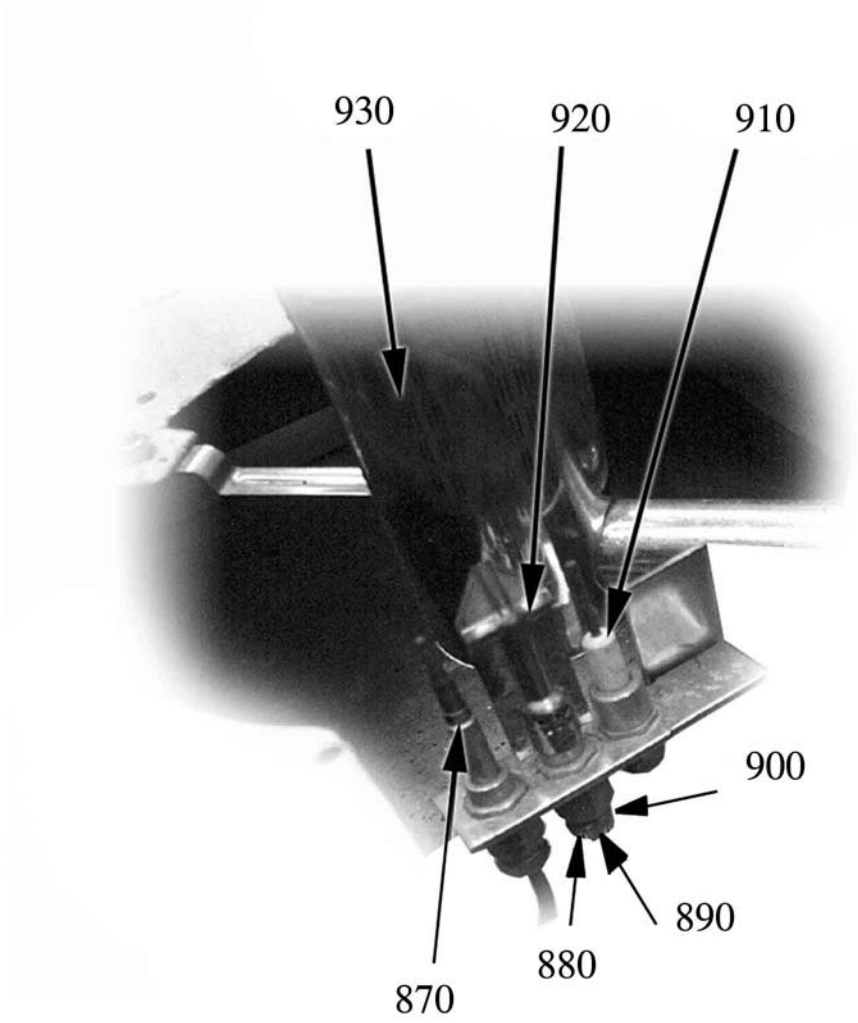


Parti di ricambio

| ID | Modello | Tipo | Voltaggio | Descrizione | Codici del produttore |
|---|---------|--|-----------|------------------------|-----------------------|
| Module: Componenti forno elettrico e armadio caldo | | | | | |
| 780 | | 800,120S,120D,160,800V,120SV,120DV,160V,800F,800FE,120F,120FE,160F,160FE | | Termocoppia | |
| 790 | | 800,120S,120D,160,800V,120SV,120DV,160V,800F,800FE,120F,120FE,160F,160FE | | Dado | |
| 800 | | 800,120S,120D,160,800V,120SV,120DV,160V,800F,800FE,120F,120FE,160F,160FE | | Bicono | |
| 810 | | 800,120S,120D,160,800V,120SV,120DV,160V,800F,800FE,120F,120FE,160F,160FE | | Ugello | |
| 820 | | 800,120S,120D,160,800V,120SV,120DV,160V,800F,800FE,120F,120FE,160F,160FE | | Candela di accensione | |
| 830 | | 800,120S,120D,160,800V,120SV,120DV,160V,800F,800FE,120F,120FE,160F,160FE | | Pilota | |
| 870 | | 800,120S,120D,160,800V,120SV,120DV,160V,800F,800FE,120F,120FE,160F,160FE | | Bruciatore tuttapietra | |
| 840 | | 800,120S,120D,160,800V,120SV,120DV,160V,800F,800FE,120F,120FE,160F,160FE | | Controdado | |
| 850 | | 800,120S,120D,160,800V,120SV,120DV,160V,800F,800FE,120F,120FE,160F,160FE | | Conrtodado | |
| 860 | | 800,120S,120D,160,800V,120SV,120DV,160V,800F,800FE,120F,120FE,160F,160FE | | Ugello D 2.50 | |
| 860 | | 800,120S,120D,160,800V,120SV,120DV,160V,800F,800FE,120F,120FE,160F,160FE | | Ugello D 1.65 | |
| 860 | | 800,120S,120D,160,800V,120SV,120DV,160V,800F,800FE,120F,120FE,160F,160FE | | Ugello D 2.70 | |
| 860 | | 800,120S,120D,160,800V,120SV,120DV,160V,800F,800FE,120F,120FE,160F,160FE | | Ugello D145 GPL | |

800=7TP/G800, 800M=7TPM/G800 SX, 120M=7TPM/G120, 160=7TP/G160, 800V=7TPV/G800, 800MV=7TPMV/G800 SX, 120MV=7TPMV/G120, 160V=7TPV/G160, 800F=7TPF/G800, 800FE=7TPF/GE800, 120F=7TPF/G120, 120FE=7TPF/GE120, 120MF=7TPMF/G120, 120MFE=7TPMF/GE120, 800MF=7TPMF/G800 SX, 800MFE=7TPMF/GE800 SX, 160F=7TP2F/G160, 160FE=7TP2F/GE160

A=3/N/PE~400/230V 50Hz, H=3/PE~230V 50Hz, P=1/N/PE~220-240V 50Hz



Parti di ricambio

| ID | Modello | Tipo | Voltaggio | Descrizione | Codici del produttore |
|---|---------|---|-----------|------------------------|-----------------------|
| Module: Componenti forno elettrico e armadio caldo | | | | | |
| 870 | | 800M,120M,800MV,120MV,120MF,120MFE,800MF,800MFE | | Termocoppia | |
| 880 | | 800M,120M,800MV,120MV,120MF,120MFE,800MF,800MFE | | Dado | |
| 890 | | 800M,120M,800MV,120MV,120MF,120MFE,800MF,800MFE | | Bicono | |
| 900 | | 800M,120M,800MV,120MV,120MF,120MFE,800MF,800MFE | | Ugello 27.2 | |
| 900 | | 800M,120M,800MV,120MV,120MF,120MFE,800MF,800MFE | | Ugello | |
| 910 | | 800M,120M,800MV,120MV,120MF,120MFE,800MF,800MFE | | Candela di accensione | |
| 920 | | 800M,120M,800MV,120MV,120MF,120MFE,800MF,800MFE | | Pilota | |
| 930 | | 800M,120M,800MV,120MV,120MF,120MFE,800MF,800MFE | | Bruciatore tuttapietra | |

800=7TP/G800, 800M=7TPM/G800 SX, 120M=7TPM/G120, 160=7TP/G160, 800V=7TPV/G800, 800MV=7TPMV/G800 SX, 120MV=7TPMV/G120, 160V=7TPV/G160, 800F=7TPF/G800, 800FE=7TPF/GE800, 120F=7TPF/G120, 120FE=7TPF/GE120, 120MF=7TPMF/G120, 120MFE=7TPMF/GE120, 800MF=7TPMF/G800 SX, 800MFE=7TPMF/GE800 SX, 160F=7TP2F/G160, 160FE=7TP2F/GE160

A=3/N/PE~400/230V 50Hz, H=3/PE~230V 50Hz, P=1/N/PE~220-240V 50Hz



Parti di ricambio

| ID | Modello | Tipo | Voltaggio | Descrizione | Codici del produttore |
|---|---------|---|-----------|-------------|-----------------------|
| Module: Componenti forno elettrico e armadio caldo | | | | | |
| 940 | | 800M,120M,800MV,120MV,120MF,120MFE,800MF,800MFE | | Controdado | |
| 950 | | 800M,120M,800MV,120MV,120MF,120MFE,800MF,800MFE | | Ugello 120 | |
| 950 | | 800M,120M,800MV,120MV,120MF,120MFE,800MF,800MFE | | Ugello 180 | |

800=7TP/G800, 800M=7TPM/G800 SX, 120M=7TPM/G120, 160=7TP/G160, 800V=7TPV/G800, 800MV=7TPMV/G800 SX, 120MV=7TPMV/G120, 160V=7TPV/G160, 800F=7TPF/G800, 800FE=7TPF/GE800, 120F=7TPF/G120, 120FE=7TPF/GE120, 120MF=7TPMF/G120, 120MFE=7TPMF/GE120, 800MF=7TPMF/G800 SX, 800MFE=7TPMF/GE800 SX, 160F=7TP2F/G160, 160FE=7TP2F/GE160

A=3/N/PE~400/230V 50Hz, H=3/PE~230V 50Hz, P=1/N/PE~220-240V 50Hz

