

BAR-LINE

**SPARE PARTS LIST
CATALOGO RICAMBI
CATALOGUES PIÈCES DÉTACHÉES
ERSATZTEILENKATALOG**

20 - 30

40 - 50

65 - 90

R 134 A

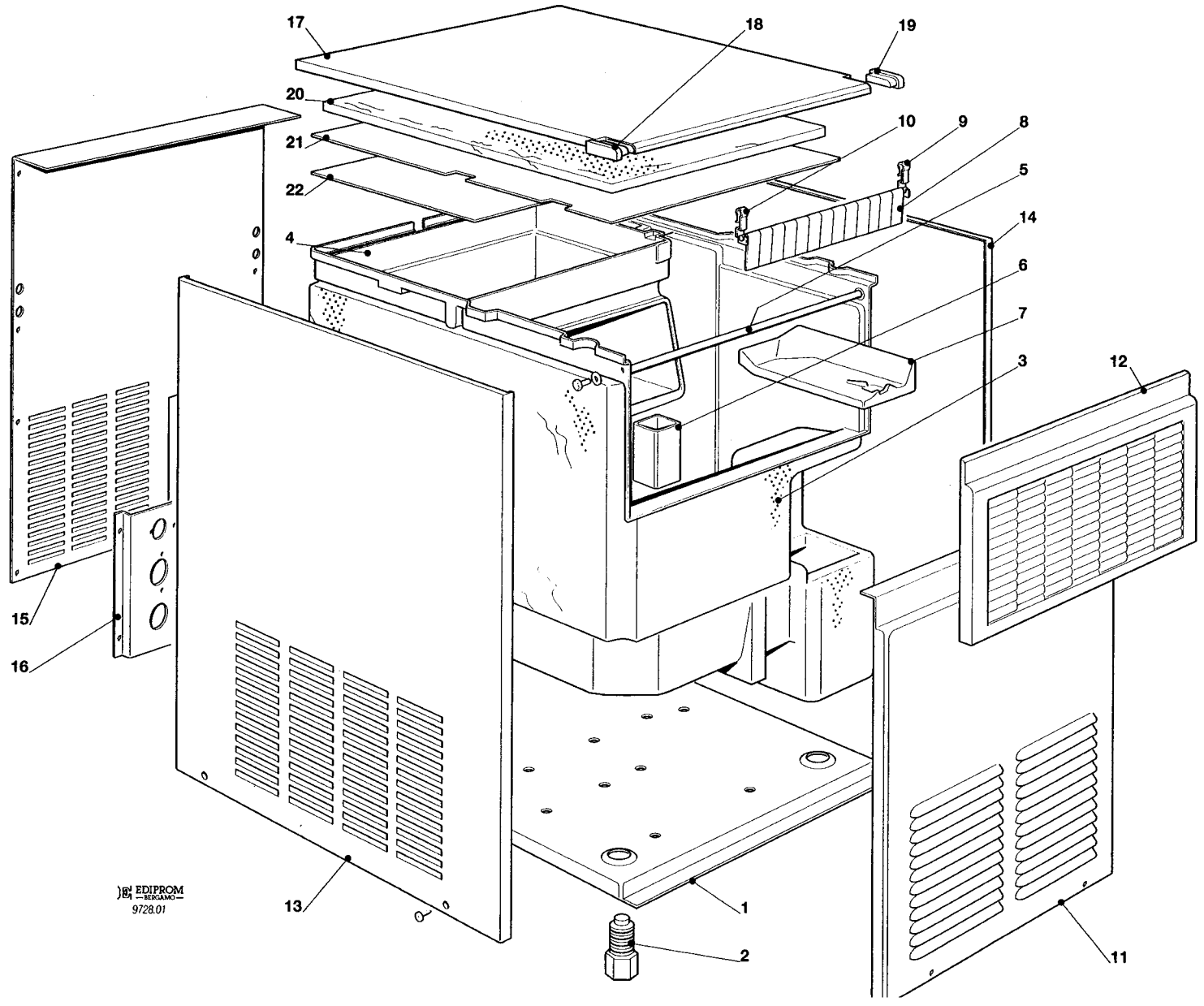
Cubers

**Fabbricatori
di ghiaccio a cubetti**

Machines á glaçons

Kegeleisbereiter

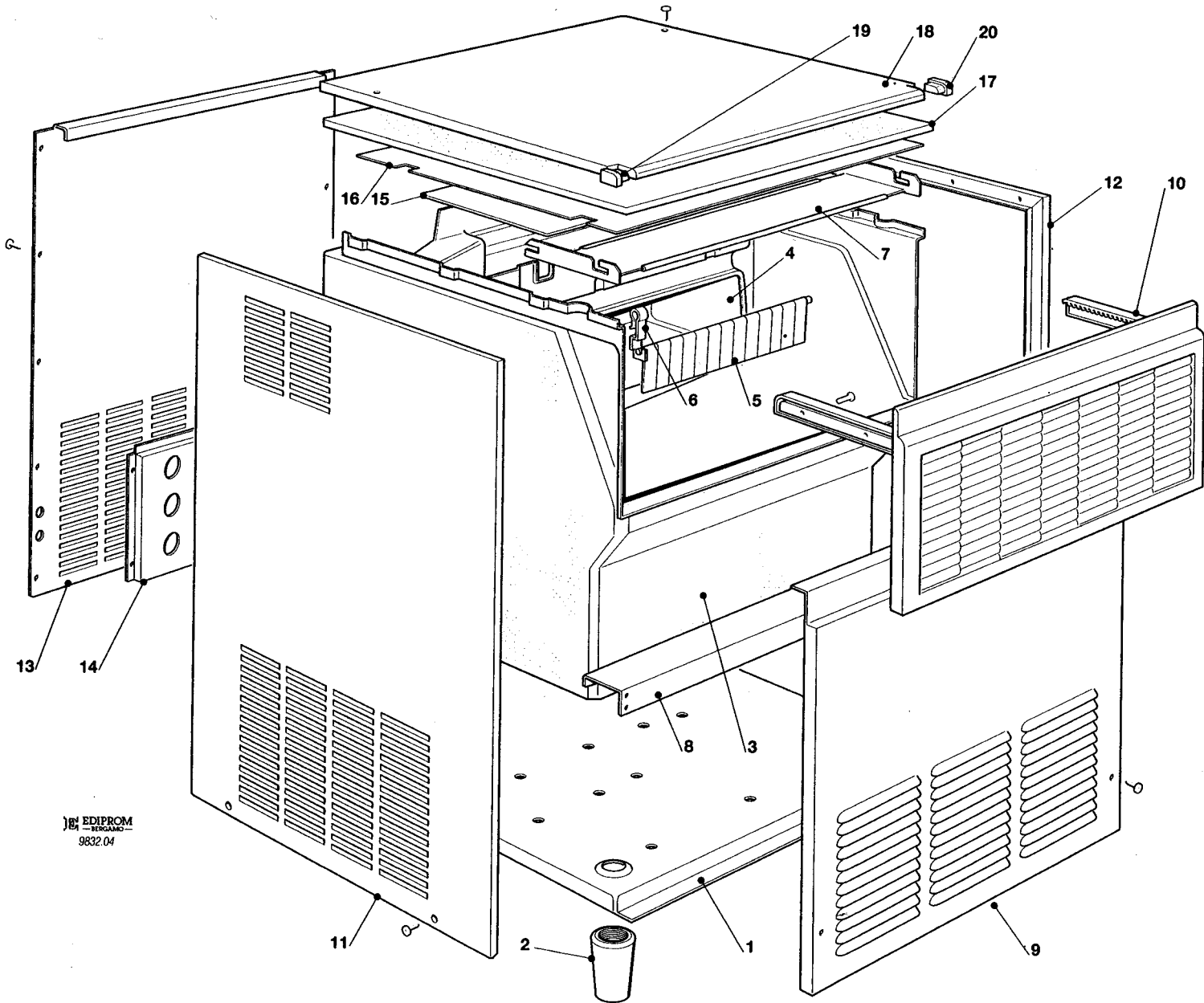
PAGE PAGINA PAGE SEITE	TABLE OF CONTENTS	INDICE	TABLE DES MATIÈRES	INHALTVERZEICHNIS
1	TABLE OF CONTENTS	INDICE	TABLE DES MATIERES	INHALTVERZEICHNIS
2-3	UNIT PANELS 20 -30	ASSIEME MOBILE 20 -30	ENS. CARROSSERIE 20 -30	MACHINE GEHAUSE 20 -30
4-5	UNIT PANELS 40	ASSIEME MOBILE 40	ENS. CARROSSERIE 40	MACHINE GEHAUSE 40
6-7	UNIT PANELS 50 - 65 - 90	ASSIEME MOBILE 50 - 65 - 90	ENS. CARROSSERIE 50 - 65 - 90	MACHINE GEHAUSE 50 - 65 - 90
8-9	REFRIGERANT SYSTEM AIR COOLED 20 - 30 - 40 - 50	SISTEMA REFRIGERANTE RAFFR. AD ARIA 20 - 30 - 40 - 50	CIRCUIT FRIGORIFIQUE REFROID. A AIR 20 - 30 - 40 - 50	GEFRIERSYSTEM LUFTGEKUEHLT 20 - 30 - 40 - 50
10-11	REFRIGERANT SYSTEM AIR COOLED 65 - 90	SISTEMA REFRIGERANTE RAFFR. AD ARIA 65 - 90	CIRCUIT FRIGORIFIQUE REFROID. A AIR 65 - 90	GEFRIERSYSTEM LUFTGEKUEHLT 65 - 90
12-13	REFRIGERANT SYSTEM WATER COOLED 20 - 30 - 40 - 50	SISTEMA REFRIGERANTE RAFFR. AD ACQUA 20 - 30 - 40 - 50	CIRCUIT FRIGORIFIQUE REFROID. A EAU 20 - 30 - 40 - 50	GEFRIERSYSTEM WASSERGEKUEHLT 20 - 30 - 40 - 50
14-15	REFRIGERANT SYSTEM WATER COOLED 65 - 90	SISTEMA REFRIGERANTE RAFFR. AD ACQUA 65 - 90	CIRCUIT FRIGORIFIQUE REFROID. A EAU 65 - 90	GEFRIERSYSTEM WASSERGEKUEHLT 65 - 90
16-17	WATER SYSTEM 20 - 30	CIRCUITO IDRAULICO 20 - 30	CIRCUIT HYDRAULIQUE 20 - 30	WASSER SYSTEM 20 - 30
18-19	WATER SYSTEM 40	CIRCUITO IDRAULICO 40	CIRCUIT HYDRAULIQUE 40	WASSER SYSTEM 40
20-21	WATER SYSTEM 50	CIRCUITO IDRAULICO 50	CIRCUIT HYDRAULIQUE 50	WASSER SYSTEM 50
22-23	WATER SYSTEM 65 - 90	CIRCUITO IDRAULICO 65 - 90	CIRCUIT HYDRAULIQUE 65 - 90	WASSER SYSTEM 65 - 90
24-25	CONTROL BOX 20 - 30 - 40	SCATOLA ELETTRICA 20 - 30 - 40	BOITE ELECTRIQUE 20 - 30 - 40	SCHALTSCHRANK 20 - 30 - 40
26-27	CONTROL BOX 50 - 65 - 90	SCATOLA ELETTRICA 50 - 65 - 90	BOITE ELECTRIQUE 50 - 65 - 90	SCHALTSCHRANK 50 - 65 - 90



EDIPROM
— ESCRAMO —
9728.01

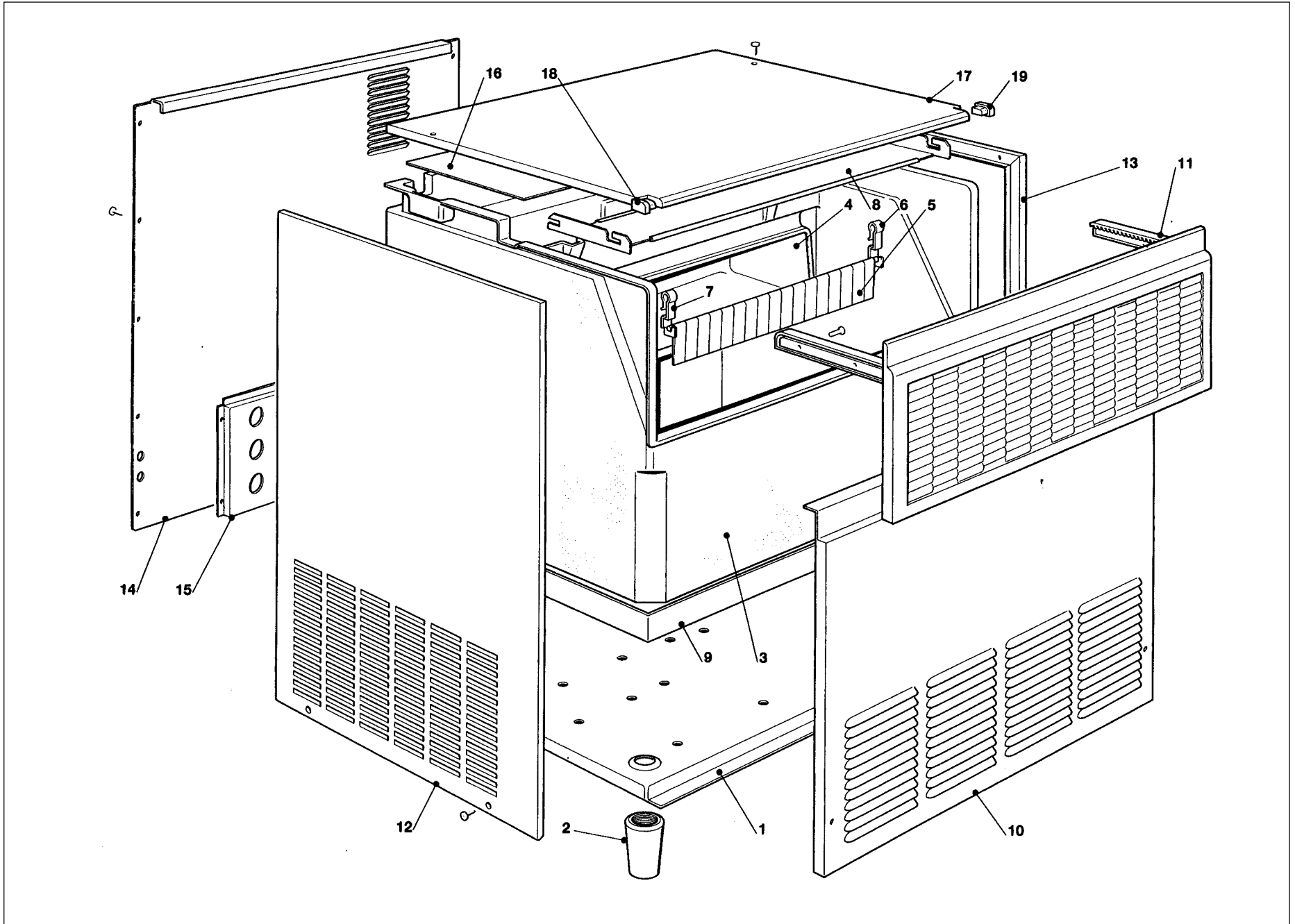
20 - 30 - UNIT PANELS - ASSIEME MOBILE - ENS. CARROSSERIE - MACHINE GEHAUSE

ITEM NO POS NO REP. NO REF. NO	PART NO CODICE REFERENCE STUECK NR		DESCRIPTION	DESCRIZIONE	DESIGNATION	BESCHREIBUNG
	20	30				
1	702184 00	702195 00	UNIT BASE	BASAMENTO	BASEMENT	CHASSIS RAHMEN
2	650382 01		LEGS	PIEDINI	PIEDS	FUESSE
3	782066 03	782064 04	INSULATED STORAGE BIN	CELLA ISOLATA	CABINE STOCKAGE ISOLEE	ISOLIEREISSPEICHER
4	660395 05	660395 03	EVAPORATOR HOUSING	INVOLUCRO EVAPORATORE	CUVE ÉVAPORATEUR	VERDAMPFER GEHÄUSE
5	732010 03	732016 03	DOOR BRACKET	SUPPORTO SPORTELLO	SUPPORTE PORTE CABINE	SPEICHERTUER STIFT
6	660436 00	743112 00	PLASTIC TUBE	TUNO IN PLASTICA	TUYAU	RHOR
7	660437 01	660391 00	SUMP COVER	COPRICANALINO	COUVERCLE RES. EAU	WASSERBECKEN DECKEL
8	784250 02R		CURTAIN ASSY	ASSIEME TENDINA	ENSAMBLE RIDEAU	JALOUSIE
9	660388 01		CURTAIN BRACKET RIGHT	SUPPORTO TENDINA DX	SUPPORT RIDEAU DROITE	JALOUSIETRAEGER RECHT
10	660388 00		CURTAIN BRACKET LEFT	SUPPORTO TENDINA SX	SUPPORT RIDEAU GAUCHE	JALOUSIETRAEGER - LINKE
11	721616 00	721621 00	FRONT PANEL	PANNELLO FRONTALE	PANNEAU AVANT	VORDERWAND
12	782079 00R	782079 05R	BIN DOOR ASSY	ASSIEME SPORTELLO	ENSAMBLE PORTE CABINE	SPEICHERTUER
13	721614 00	721622 00	LEFT SIDE PANEL	PANNELLO SX	PANNEAU GAUCHE	LINKE SEITENWAND
14	721615 00	721623 00	RIGHT SIDE PANEL	PANNELLO DX	PANNEAU DROITE	RECHTE SEITENWAND
15	702185 00	702193 00	REAR PANEL	PANNELLO POSTERIORE	PANNEAU ARRIERE	RUECKWAND
16	702180 00		METAL BRACKET FOR FITTINGS	SUPPORTO ATTACCHI	SUPPORT DE RACCORDS	METALLTRAEGER
17	781395 24	781395 26	TOP PANEL	PANNELLO SUPERIORE	PANNEAU SUPERIEURE	ABDECKHAUBE
18	660528 01		PLASTIC PLUG LEFT	TAPPO IN PLASTICA SX	CAPUCHON EN PLASTIQUE - GAUCHE	PLASTIKPROPFEN - LINK
19	660528 00		PLASTIC PLUG RIGHT	TUBO IN PLASTICA DX	CAPUCHON EN PLASTIQUE - DROITE	PLASTIKPROPFEN - RECHT
20	650236 19	650236 20	UPPER INSULATION	ISOLAMENTO SUPERIORE	ISOLATION SUPERIEUR	ISOLIERUNG
21	660539 00	660540 00	EVAPORATOR PLASTIC COVER	COPERCHIO IN PLASTICA	COUVERCLE ÉVAPORATEUR	VERDAMPFER DECKEL
22	742033 00	741074 00	EVAPORATOR COVER	COPERCHIO EVAPORATORE	COUVERCLE EVAPORATEUR	VERDAMPFERDECKEL
*	732017 04	732017 05	BULB HOLDER	PORTA BULBO	PORTEBULBE	FUEHLERHALTER
			* NOT SHOWN	* NON MOSTRATO	* PAS MONTRÉ	* NIGHT ABGEBILDET



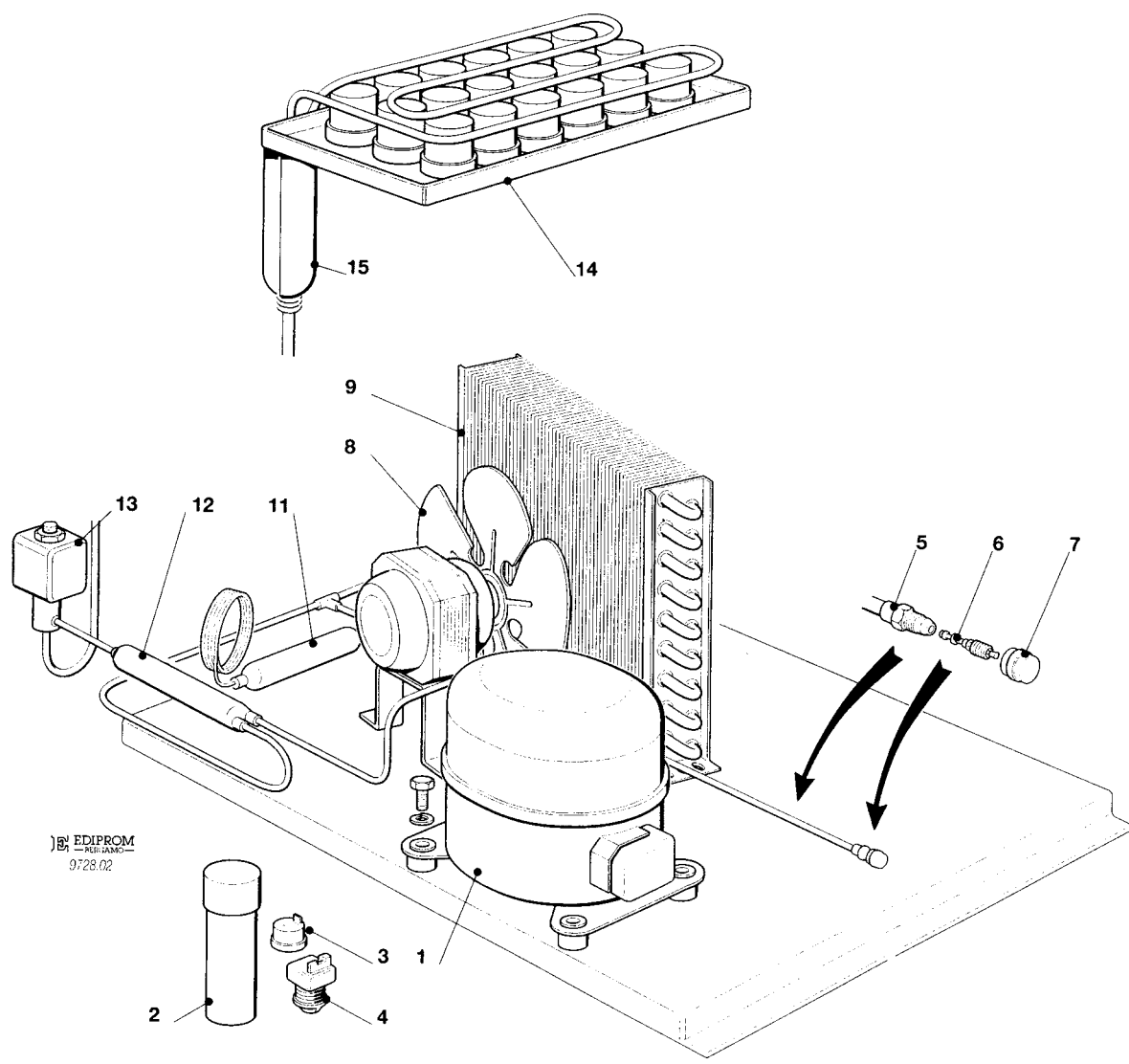
40 - UNIT PANELS - ASSIEME MOBILE - ENS. CARROSSERIE - MACHINE GEHAUSE

ITEM NO POS NO REP. NO REF. NO	PART NO CODICE REFERENCE TUECK NR	DESCRIPTION	DESCRIZIONE	DESIGNATION	BESCHREIBUNG
1	781406 01 R	UNIT BASE	BASAMENTO	BASEMENT	CHASSIS RAHMEN
2	660638 00	LEGS	PIEDINI	PIEDS	FUESSE
3	782086 04 R	INSULATED STORAGE BIN	CELLA ISOLATA	CABINE STOCKAGE ISOLEE	ISOLIEREISSPEICHER
4	792010 00 R	EVAPORATOR HOUSING	INVOLUCRO EVAPORATORE	CUVE ÉVAPORATEUR	VERDAMPFER GEHÄUSE
5	784457 00 R	CURTAIN ASSY	ASSIEME TENDINA	ENSAMBLE RIDEAU	JALOUSIE
6	660388 00	CURTAIN BRACKET LEFT	SUPPORTO TENDINA SX	SUPPORT RIDEAU GAUCHE	JALOUSIETRAEGER - LINKE
7	721679 01	METAL PLATE	DISTANZIALE IN ACC. INOX	PLAQUE EN ACIER INOX	METALLPLATTE
8	702128 01	METAL BRACKET	SUPPORTO IN METALLO	SUPPORT	METALLTRÄGER
9	721635 00	FRONT PANEL	PANNELLO FRONTALE	PANNEAU AVANT	VORDERWAND
10	782091 00 R 660616 00	BIN DOOR ASSY DOOR RACK	ASSIEME SPORTELLLO CREMAGLIERA	ENSAMBLE PORTE CABINE CREMAILLERE	SPEICHERTUER ZAHNSTANGE
11	721637 00	LEFT SIDE PANEL	PANNELLO SX	PANNEAU GAUCHE	LINKE SEITENWAND
12	721636 00	RIGHT SIDE PANEL	PANNELLO DX	PANNEAU DROITE	RECHTE SEITENWAND
13	702199 00	REAR PANEL	PANNELLO POSTERIORE	PANNEAU ARRIERE	RUECKWAND
14	702180 00	METAL BRACKET FOR FITTINGS	SUPPORTO ATTACCHI	SUPPORT DE RACCORDS	METALLTRAEGER
15	784378 04 R	EVAPORATOR PLASTIC COVER	COPERCHIO IN PLASTICA	COUVERCLE ÉVAPORATEUR	VERDAMPFER DECKEL
16	660541 00	STORAGE BIN COVER	COPERCHIO CONTENITORE	COUVERCLE BAC DE STOCKKE	SPEICHERFDECKEL
17	650236 21	UPPER INSULATION	ISOLAMENTO SUPERIORE	ISOLATION SUPERIEUR	ISOLIERUNG
18	781395 28 R	TOP PANEL	PANNELLO SUPERIORE	PANNEAU SUPERIEURE	ABDECKHAUBE
19	660528 01	PLASTIC PLUG LEFT	TAPPO IN PLASTICA SX	CAPUCHON EN PLASTIQUE - GAUCHE	PLASTIKPROPFEN - LINK
20	660528 00	PLASTIC PLUG RIGHT	TUBO IN PLASTICA DX	CAPUCHON EN PLASTIQUE - DROITE	PLASTIKPROPFEN - RECHT



50 - 65 - 90 - UNIT PANELS - ASSIEME MOBILE - ENS. CARROSSERIE - MACHINE GEHAUSE

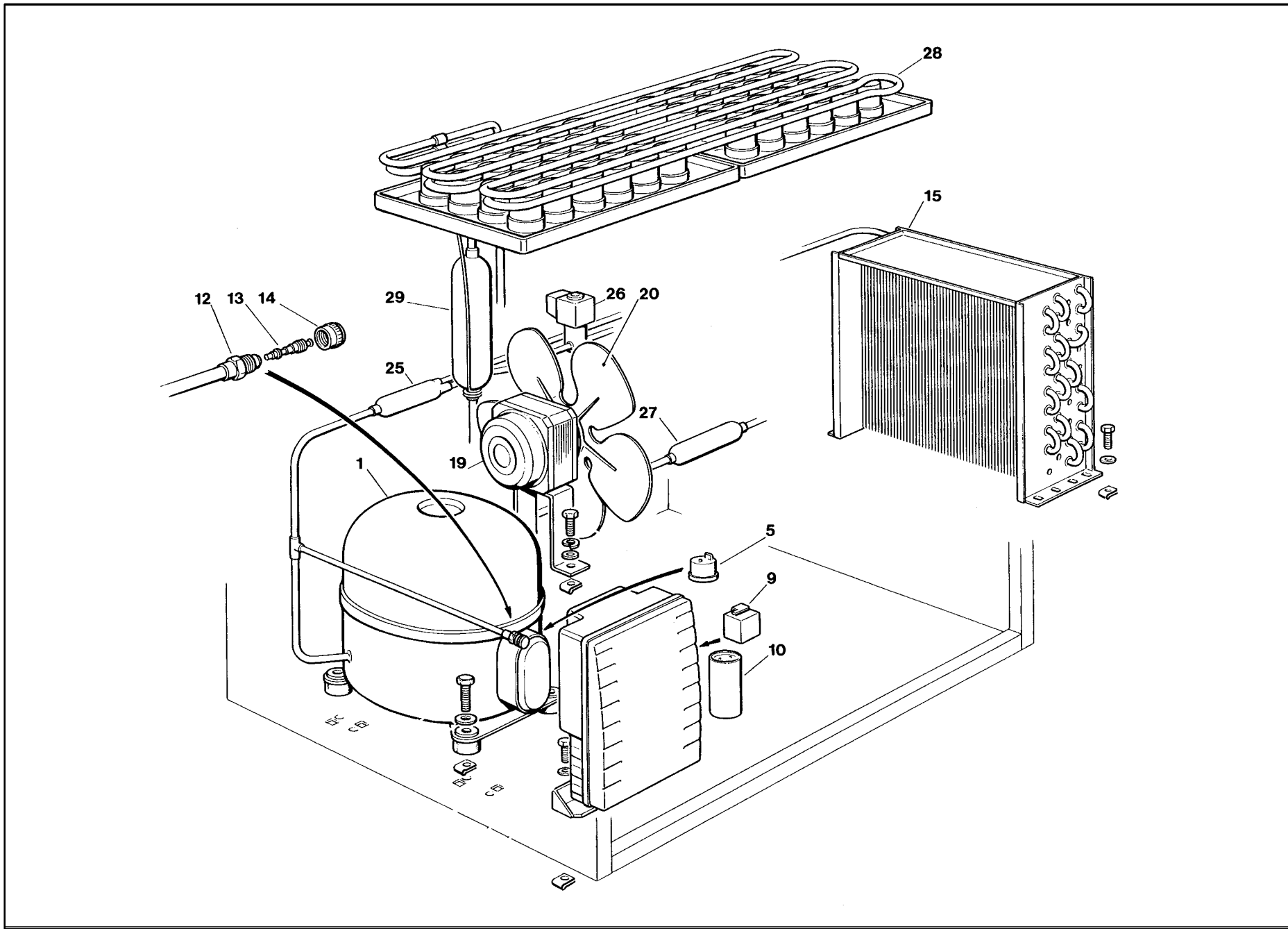
ITEM NO POS NO REP. NO REF. NO	PART NO - CODICE REFERENCE - TUECK NR		DESCRIPTION	DESCRIZIONE	DESIGNATION	BESCHREIBUNG
	50	65 - 90				
1	781406 05R	781406 02 R	UNIT BASE	BASAMENTO	BASEMENT	CHASSIS RAHMEN
2	660638 00		LEGS	PIEDINI	PIEDS	FUESSE
3-4	782096 03R	782088 02 R	INSULATED STORAGE BIN	CELLA ISOLATA	CABINE STOCKAGE ISOLEE	ISOLIEREISSPEICHER
5	784457 04R	784457 02 R	CURTAIN ASSY	ASSIEME TENDINA	ENSAMBLE RIDEAU	JALOUSIE
6	660388 01		CURTAIN BRACKET RIGHT	SUPPORTO TENDINA DX	SUPPORT RIDEAU DROITE	JALOUSIETRAEGER RECHT
7	660388 00		CURTAIN BRACKET LEFT	SUPPORTO TENDINA SX	SUPPORT RIDEAU GAUCHE	JALOUSIETRAEGER - LINKE
8	721679 01	721679 00	METAL PLATE	DISTANZIALE IN ACC. INOX	PLAQUE EN ACIER INOX	METALLPLATTE
9	702254 01	702231 00	METAL BRACKET	SUPPORTO IN METALLO	SUPPORT	METALLTRÄGER
10	721769 00	721644 00	FRONT PANEL	PANNELLO FRONTALE	PANNEAU AVANT	VORDERWAND
11	782091 16R 660616 00	782091 04 R 660616 00	BIN DOOR ASSY DOOR RACK	ASSIEME SPORTELLO CREMAGLIERA	ENSAMBLE PORTE CABINE CREMAILLERE	SPEICHERTUER ZAHNSTANGE
12	721754 00	721642 00	LEFT SIDE PANEL	PANNELLO SX	PANNEAU GAUCHE	LINKE SEITENWAND
13	721753 00	721643 00	RIGHT SIDE PANEL	PANNELLO DX	PANNEAU DROITE	RECHTE SEITENWAND
14	702293 00	702201 00	REAR PANEL	PANNELLO POSTERIORE	PANNEAU ARRIERE	RUECKWAND
15	702248 01	702180 00	METAL BRACKET FOR FITTINGS	SUPPORTO ATTACCHI	SUPPORT DE RACCORDS	METALLTRAEGER
16	741075 02	741075 00	EVAPORATOR COVER	COPERCHIO EVAPORATORE	COUVERCLE EVAPORATEUR	VERDAMPFERDECKEL
17	781395 38R	781395 15 R	TOP PANEL	PANNELLO SUPERIORE	PANNEAU SUPERIEURE	ABDECKHAUBE
18	660528 01		PLASTIC PLUG LEFT	TAPPO IN PLASTICA SX	CAPUCHON EN PLASTIQUE - GAUCHE	PLASTIKPROPFEN - LINK
19	660528 00		PLASTIC PLUG RIGHT	TUBO IN PLASTICA DX	CAPUCHON EN PLASTIQUE - DROITE	PLASTIKPROPFEN - RECHT



EDIPROM
PERF. JANO
9/28/02

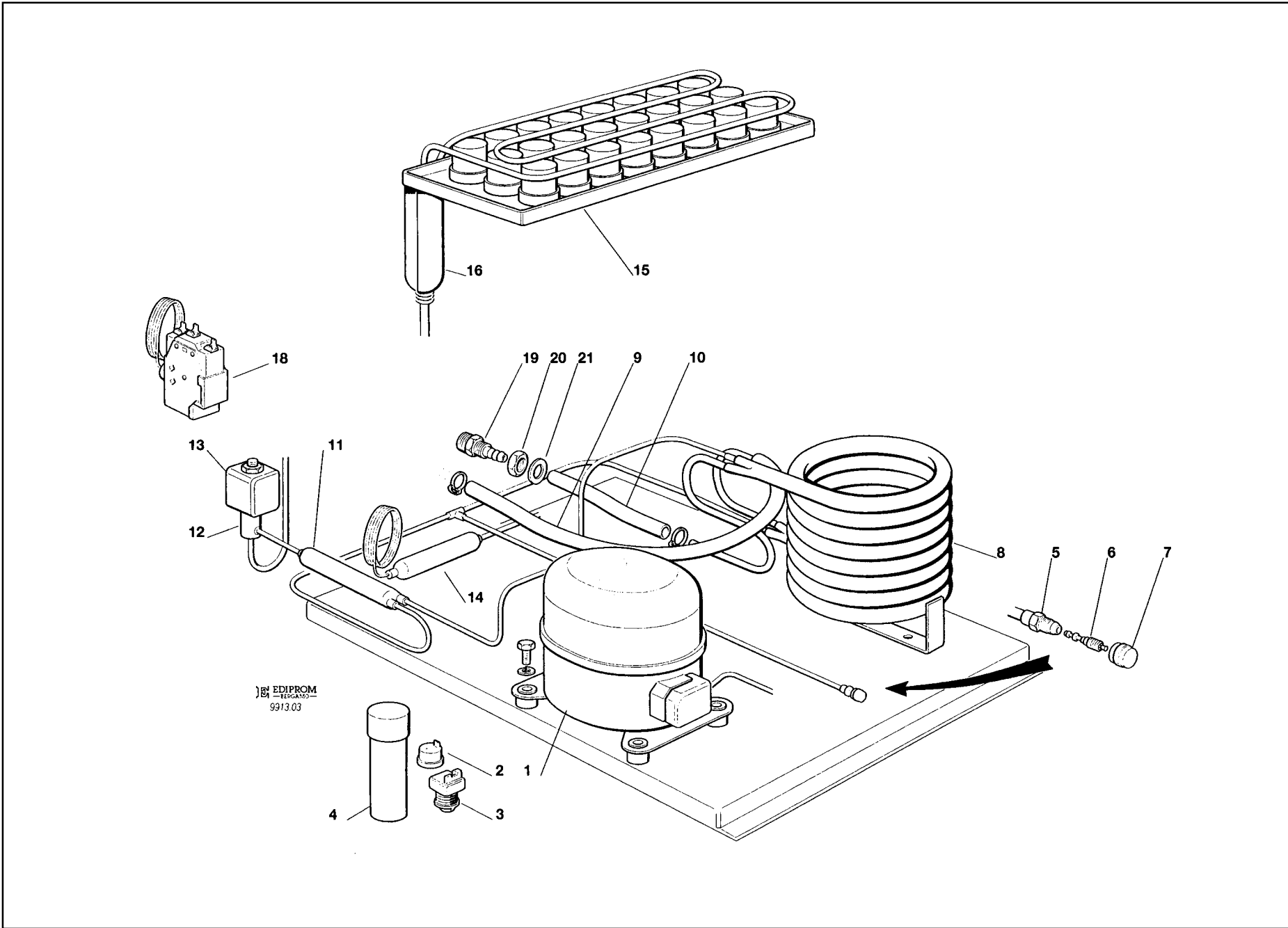
**20 - 30 - 40 - 50 - REFRIGERANT SYSTEM AIR COOLED - SISTEMA REFRIGERANTE RAFFR. AD ARIA
CIRCUIT FRIGORIFIQUE REFROID. PAR AIR - LUFTGEKÜHLT GEFRIERSYSTEM**

ITEM NO POS NO REP. NO REF. NO	PART. NO - CODICE REFERENCE - STUECK NR				DESCRIPTION	DESCRIZIONE	DESIGNATION	BESCHREIBUNG
	20	30	40	50				
1	670097 08 670066 08	670100 00 670101 01	670101 00 670101 02	670100 01	COMPRESSOR ASSY - 230/50/1 COMPRESSOR ASSY - 230/60/1	ASSIEME COMPRESSORE - 230/50/1 ASSIEME COMPRESSORE - 230/60/1	ENSAMBLE COMPRESSEUR - 230/50/1 ENSAMBLE COMPRESSEUR - 230/60/1	KOMPRESSOR - 230/50/1 KOMPRESSOR - 230/60/1
2	620167 29 620167 01	620167 29 620167 29	620167 01 620167 01	620167 29	START CAPACITOR - 230/50/1 START CAPACITOR - 230/60/1	CONDENSATORE D'AVVIAMENTO - 230/50/1 CONDENSATORE D'AVVIAMENTO - 230/60/1	CAPACITE DE DEMARRAGE - 230/50/1 CAPACITE DE DEMARRAGE - 230/60/1	START KONDENSATOR - 230/50/1 START KONDENSATOR - 230/60/1
3	620058 65 620058 74	620058 69 620058 86	620058 77 620058 80	620058 67	PROTECTOR - 230/50/1 PROTECTOR - 230/60/1	PROTETTORE - 230/50/1 PROTETTORE - 230/60/1	PROTECTEUR - 230/50/1 PROTECTEUR - 260/50/1	SCHUTZGERAT - 230/50/1 SCHUTZGERAT - 230/60/1
4	620057 35 620057 40	620057 31 620057 03	620057 42 620057 49	620057 56	RELAY - 230/50/1 RELAY - 230/60/1	RELE - 230/50/1 RELE - 230/60/1	RELAIS - 230/50/1 RELAIS - 230/60/1	RELAIS - 230/50/1 RELAIS - 230/60/1
5	650109 00				VALVE BODY	CORPO VALVOLA	CORPS DE VANNE	VENTILGEHAUSE
6	670012 00				VALVE PISTON	PISTONCINO VALVOLA	PISTON	VENTILKOLBEN
7	650106 00				VALVE CAP	CAPPUCCIO VALVOLA	CAPUCHON DE VANNE	VENTILKLAPPE
8	620419 32	620419 32	620419 33	620419 33	FAN MOTOR FAN BLADE	MOTORE VENTILATORE VENTOLA	MOTEUR DU VENTILATEUR HELICE	LUFTER MOTOR FLUEGEL
9	620276 02	620420 00	620439 00	620455 00	AIR COOLED CONDENSER	CONDENSATORE AD ARIA	CONDENSEUR A AIR	LUFT KONDENSATOR
11	630003 05				DRIER	FILTRO DEUMIDIFICATORE	FILTRE DESHYDRATEUR	TROCKNER
12	630007 01	630007 01	630020 01	630137 01	MECHANICAL FILTER	FILTRO MECCANICO	FILTRE MECANIQUE	MECHANISCHFILTERN
13	620306 22	620306 27 620306 48	620306 27	620306 27	HOT GAS VALVE BODY HOT GAS VALVE COIL	CORPO VALVOLA GAS CALDO BOBINA VALVOLA GAS CALDO	CORP VANNE GAZ CHAUD BOBINE VANNE GAZ CHAUD	HEISSGAZ VENTILGEHAUSE HEISSGAZ VENTIL SPULE
14	784195 04 784195 06	784256 00 784415 01	784256 01 784415 00	784477 02	EVAPORATOR ASSY - M EVAPORATOR ASSY - L	ASSIEME EVAPORATORE - M ASSIEME EVAPORATORE - L	ENSAMBLE EVAPORATEUR - M ENSAMBLE EVAPORATEUR - L	VERDAMPFER - M VERDAMPFER - L
15	784444 00	784444 01	784444 04	784444 10	SUCTION LINE/ACCUMULATOR	ACCUMUL. E LINEA ASPIRAZIONE	ENS. ASPIRATION/ACCUMULATEUR	SAMMLER UND SAUGLEITUNGEN



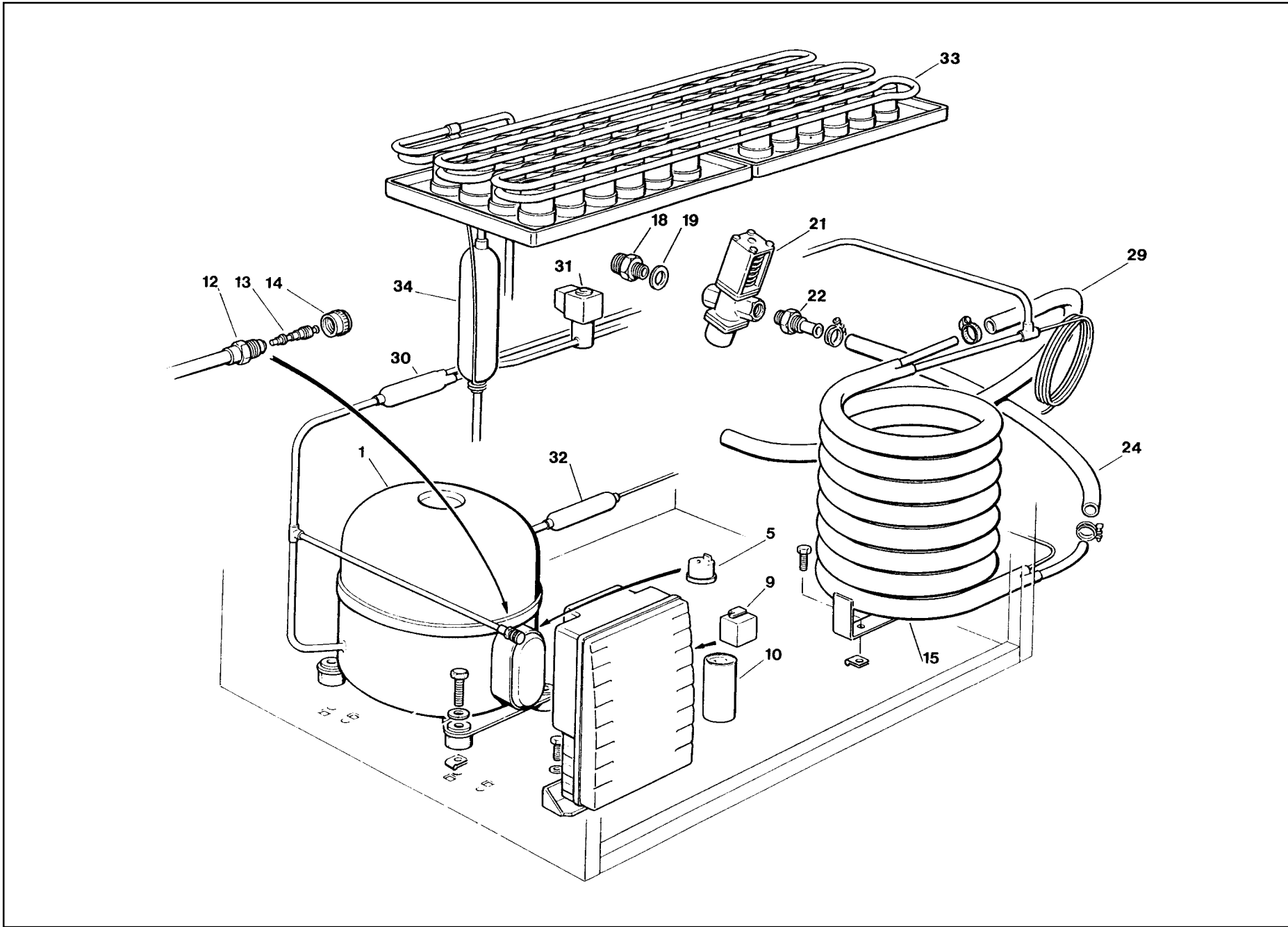
**65 - 90 - REFRIGERANT SYSTEM AIR COOLED - SISTEMA REFRIGERANTE RAFFR. AD ARIA
CIRCUIT FRIGORIFIQUE REFROID. PAR AIR - LUFTGEKÜHLT GEFRIERSYSTEM**

ITEM NO POS NO REP. NO REF. NO	PART NO CODICE REFERENCE STUECK NR		DESCRIPTION	DESCRIZIONE	DESIGNATION	BESCHREIBUNG
	65	90				
1	670099 02 670099 07	670099 03 670099 08	COMPRESSOR ASSY - 230/50/1 COMPRESSOR ASSY - 230/60/1	ASSIEME COMPRESSORE - 230/50/1 ASSIEME COMPRESSORE - 230/60/1	ENSAMBLE COMPRESSEUR - 230/50/1 ENSAMBLE COMPRESSEUR - 230/60/1	KOMPRESSOR - 230/50/1 KOMPRESSOR - 230/60/1
5	620058 39 620058 78	620058 42 620058 79	PROTECTOR - 230/50/1 PROTECTOR - 230/60/1	PROTETTORE - 230/50/1 PROTETTORE - 230/60/1	PROTECTEUR - 230/50/1 PROTECTEUR - 230/60/1	SCHUTZGERAT - 230/50/1 SCHUTZGERAT - 230/60/1
9	620057 44 620057 48	620057 45 620057 45	RELAY - 230/50/1 RELAY - 230/60/1	RELE - 230/50/1 RELE - 230/60/1	RELAIS - 230/50/1 RELAIS - 230/60/1	RELAIS - 230/50/1 RELAIS - 230/60/1
10	620167 01 620167 49	620167 52	START CAPACITOR - 230/50/1 START CAPACITOR - 230/60/1	CONDENSATORE D'AVVIAMENTO - 230/50/1 CONDENSATORE D'AVVIAMENTO - 230/60/1	CAPACITE DE DEMARRAGE - 230/50/1 CAPACITE DE DEMARRAGE - 230/60/1	START KONDENSATOR - 230/50/1 START KONDENSATOR - 230/60/1
12	650109 00		VALVE BODY	CORPO VALVOLA	CORPS DE VANNE	VENTILGEHAUSE
13	670012 00		VALVE PISTON	PISTONCINO VALVOLA	PISTON	VENTILKOLBEN
14	650106 00		VALVE CAP	CAPPUCCIO VALVOLA	CAPUCHON DE VANNE	VENTILKLAPPE
15	620405 00	620440 00	AIR COOLED CONDENSER	CONDENSATORE AD ARIA	CONDENSEUR A AIR	LUFT KONDENSATOR
19	620419 02	620419 04	FAN MOTOR	MOTORE VENTILATORE	MOTEUR DU VENTILATEUR	LUFTER MOTOR
20	620419 33		FAN BLADE	VENTOLA	HELICE	FLUEGEL
25	630020 01		MECHANICAL FILTER	FILTRO MECCANICO	FILTRE MECANIQUE	MECHANISCHFILTERN
26	620306 27 620306 48	620306 46	HOT GAS VALVE BODY HOT GAS VALVE COIL	CORPO VALVOLA GAS CALDO BOBINA VALVOLA GAS CALDO	CORP VANNE GAZ CHAUD BOBINE VANNE GAZ CHAUD	HEISSGAZ VENTILGEHAUSE HEISSGAZ VENTIL SPULE
27	630003 06	630003 06	DRIER	FILTRO DEUMIDIFICATORE	FILTRE DESHYDRATEUR	TROCKNER
28	784263 07 784263 09	784263 07 784263 09	EVAPORATOR ASSY - M EVAPORATOR ASSY - L	ASSIEME EVAPORATORE - M ASSIEME EVAPORATORE - L	ENSAMBLE EVAPORATEUR - M ENSAMBLE EVAPORATEUR - L	VERDAMPFER - M VERDAMPFER - L
29	784444 06	784444 08	SUCTION LINE/ACCUMULATOR	ACCUMUL. E LINEA ASPIRAZIONE	ENS. ASPIRATION/ACCUMULATEUR	SAMMLER UND SAUGLEITUNGEN



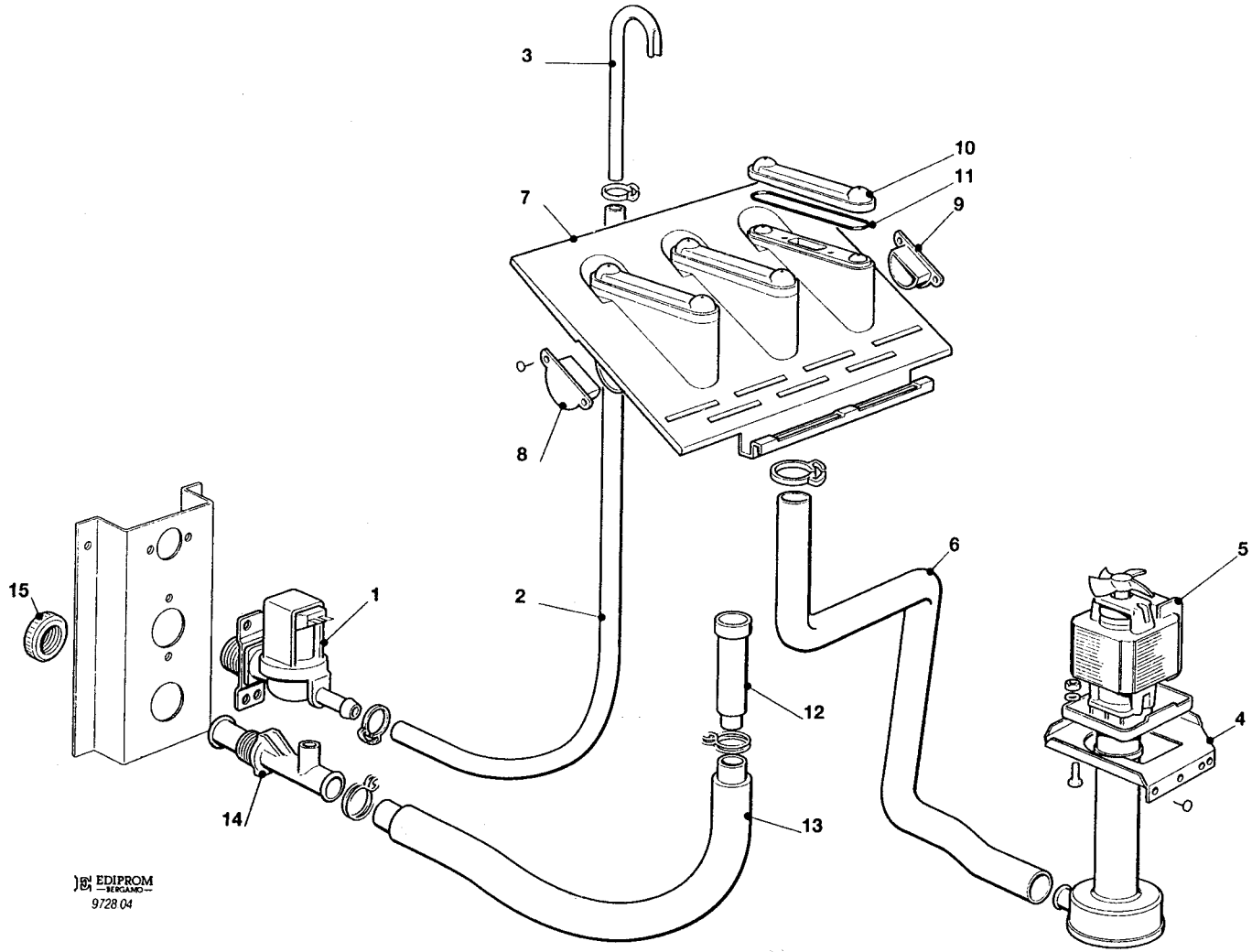
**20 - 30 - 40 - 50 - REFRIGERANT SYSTEM WATER COOLED - SISTEMA REFRIGERANTE RAFFR. AD ACQUA
CIRCUIT FRIGORIFIQUE REFROID. PAR EAU - WASSERGEKÜHLT GEFRIERSYSTEM**

ITEM NO POS NO REP. NO REF. NO	PART. NO - CODICE REFERENCE - STUECK NR				DESCRIPTION	DESCRIZIONE	DESIGNATION	BESCHREIBUNG
	20	30	40	50				
1	670097 08 670066 08	670100 00 670101 01	670101 00 670101 02	670100 01	COMPRESSOR ASSY - 230/50/1 COMPRESSOR ASSY - 230/60/1	ASSIEME COMPRESSORE - 230/50/1 ASSIEME COMPRESSORE - 230/60/1	ENSAMBLE COMPRESSEUR - 230/50/1 ENSAMBLE COMPRESSEUR - 230/60/1	KOMPRESSOR - 230/50/1 KOMPRESSOR - 230/60/1
2	620058 65 620058 74	620058 69 620058 86	620058 77 620058 80	620058 67	PROTECTOR - 230/50/1 PROTECTOR - 230/60/1	PROTETTORE - 230/50/1 PROTETTORE - 230/60/1	PROTECTEUR - 230/50/1 PROTECTEUR - 230/60/1	SCHUTZGERAT - 230/50/1 SCHUTZGERAT - 230/60/1
3	620057 35 620057 40	620057 31 620057 03	620057 42 620057 49	620057 56	RELAY - 230/50/1 RELAY - 230/60/1	RELE - 230/50/1 RELE - 230/60/1	RELAIS - 230/50/1 RELAIS - 230/60/1	RELAIS - 230/50/1 RELAIS - 230/60/1
4	620167 29 620167 01	620167 29 620167 29	620167 01 620167 01	620167 29	START CAPACITOR - 230/50/1 START CAPACITOR - 230/60/1	CONDENSATORE D'AVVIAMENTO - 230/50/1 CONDENSATORE D'AVVIAMENTO - 230/60/1	CAPACITE DE DEMARRAGE - 230/50/1 CAPACITE DE DEMARRAGE - 230/60/1	START KONDENSATOR - 230/50/1 START KONDENSATOR - 230/60/1
5	650109 00				VALVE BODY	CORPO VALVOLA	CORPS DE VANNE	VENTILGEHAUSE
6	670012 00				VALVE PISTON	PISTONCINO VALVOLA	PISTON	VENTILKOLBEN
7	650106 00				VALVE CAP	CAPPUCCIO VALVOLA	CAPUCHON DE VANNE	VENTILKLAPPE
8	620389 00				WATER COOLED CONDENSER	CONDENSATORE AD ACQUA	CONDENSEUR A EAU	WASSER KONDENSATOR
9	281900 01				PLASTIC TUBE-PER METER	TUBO IN PLASTICA-PER METRO	TUYAU EN PLASTIQUE-POUR METER	PLASTIK ROHR-PRO METER
10	281900 01				PLASTIC TUBE-PER METER	TUBO IN PLASTICA-PER METRO	TUYAU EN PLASTIQUE-POUR METER	PLASTIK ROHR-PRO METER
11	630007 01	630007 01	630020 01	630137 01	MECHANICAL FILTER	FILTRO MECCANICO	FILTRE MECANIQUE	MECHANISCHFILTERN
12	620306 22	630306 27	620306 27	620306 27	HOT GAS VALVE BODY	CORPO VALVOLA GAS CALDO	CORP VANNE GAZ CHAUD	HEISSGAZ VENTIL GEHAUSE
13	620306 48				HOT GAS VALVE COIL	BOBINA VALVOLA GAS CALDO	BOBINE VANNE GAZ CHAUD	HEISSGAZ VENTIL SPULE
14	630003 05				DRIER	FILTRO DEUMIDIFICATORE	FILTRE DESHYDRATEUR	TROCKNER
15	784195 04 784195 06	784256 00 784415 01	784256 01 784415 00	784427 02	EVAPORATOR ASSY - M EVAPORATOR ASSY - L	ASSIEME EVAPORATORE - M ASSIEME EVAPORATORE - L	ENSAMBLE EVAPORATEUR - M ENSAMBLE EVAPORATEUR - L	VERDAMPFER - M VERDAMPFER - L
16	784444 00	784444 01	784444 04	784444 10	SUCTION LINE/ACCUMULATOR	ACCUMUL. E LINEA ASPIRAZIONE	ENS. ASPIRATION/ACCUMULATEUR	SAMMLER UND SAUGLEITUNGEN
18	620075 00				PRESSURE CONTROL	PRESSOSTATO	PRESSOSTAT	PRESSOSTAT
19	660291 00				3/4 GAS WATER DRAIN FITTING	SCARICO ACQUA 3/4 GAS	RACCORD EVACUATION 3/4 GAS	3/4 GAS SCHLAUCH
20	400030 01				NUT	DADO	ECROU	MUTTER
21	400031 00				FIBER WASHER	RONDELLA	RONDELLE EN FIBRE	FIBER SCHEIBE



**65 - 90 - REFRIGERANT SYSTEM WATER COOLED - SISTEMA REFRIGERANTE RAFFR. AD ACQUA
CIRCUIT FRIGORIFIQUE REFROID. PAR EAU - WASSERGEKÜHLT GEFRIERSYSTEM**

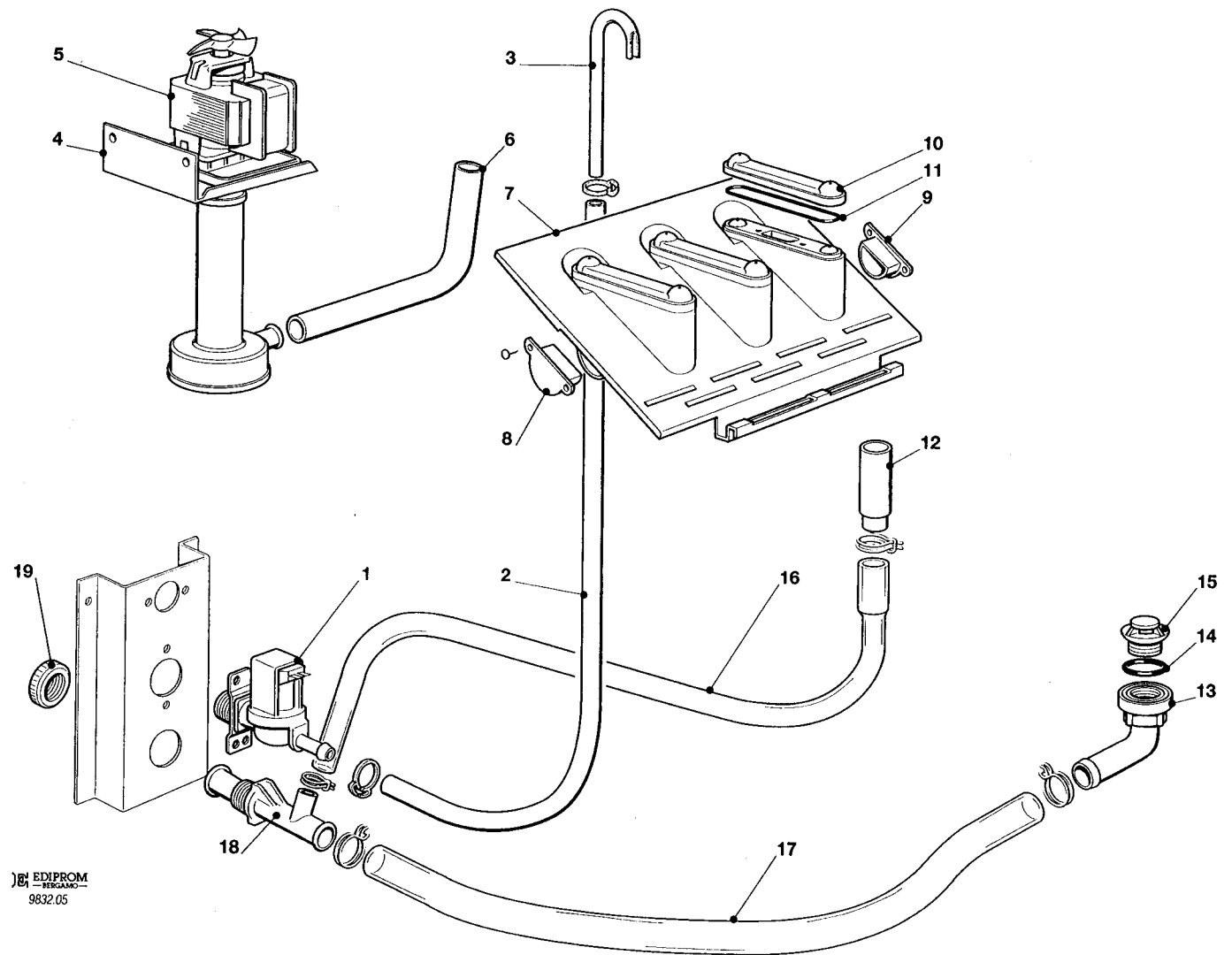
ITEM NO POS NO REP. NO REF. NO	PART NO CODICE REFERENCE STUECK NR		DESCRIPTION	DESCRIZIONE	DESIGNATION	BESCHREIBUNG
	65	90				
1	670099 02 670099 07	670099 03 670099 08	COMPRESSOR ASSY - 230/50/1 COMPRESSOR ASSY - 230/60/1	ASSIEME COMPRESSORE - 230/50/1 ASSIEME COMPRESSORE - 230/60/1	ENSAMBLE COMPRESSEUR - 230/50/1 ENSAMBLE COMPRESSEUR - 230/60/1	KOMPRESSOR - 230/50/1 KOMPRESSOR - 230/60/1
5	620058 39 620058 78	620058 42 620058 79	PROTECTOR - 230/50/1 PROTECTOR - 230/60/1	PROTETTORE - 230/50/1 PROTETTORE - 230/60/1	PROTECTEUR - 230/50/1 PROTECTEUR - 230/60/1	SCHUTZGERA - 230/50/1 SCHUTZGERA - 230/60/1
9	620057 44 620057 48	620057 45 620057 45	START RELAY - 230/50/1 START RELAY - 230/60/1	RELE DI AVVIAMENTO - 230/50/1 RELE DI AVVIAMENTO - 230/60/1	RELAIS DE DEMARRAGE - 230/50/1 RELAIS DE DEMARRAGE - 230/60/1	RELAIS - 230/50/1 RELAIS - 230/60/1
10	620167 01 620167 49	620167 52	START CAPACITOR - 230/50/1 START CAPACITOR - 230/60/1	CAPACITA D'AVVIAMENTO - 230/50/1 CAPACITA D'AVVIAMENTO - 230/60/1	CAPACITE DE DEMARRAGE - 230/50/1 CAPACITE DE DEMARRAGE - 230/60/1	START KONDENSATOR - 230/50/1 START KONDENSATOR - 230/60/1
12	650109 00		VALVE BODY	CORPO VALVOLA	CORPS DE VANNE	VENTILGEHAUSE
13	670012 00		VALVE PISTON	PISTONCINO VALVOLA	PISTON	VENTILKOLBEN
14	650106 00		VALVE CAP	CAPPUCCIO VALVOLA	CAPUCHON DE VANNE	VENTILKLAPPE
15	620389 01	620331 00	WATER COOLED CONDENSER	CONDENSATORE AD ACQUA	CONDENSEUR A EAU	WASSERGEKÜHLT KONDENSATOR
18	400053 00		NUT	DADO	ECROU	MUTTER
19	400052 00		FIBER WASHER	RONDELLA IN FIBRA	RONDELLE EN FIBRE	FIBER SCHEIBE
21	620111 00		WATER REGULATING VALVE	VALVOLA PRESSOSTATICA	VANNE A EAU PRESSOSTATIQUE	WASSERREGLERVENTIL
22	733094 03		REGULATING VALVE OUTLET FITTING	RACCORDO USCITA VALVOLA PRESS.	RACCORD SORTIE VANNE PRESS.	WASSERREGLER ABFLUSSTUECK
24	281900 01		PLASTIC TUBE-PER METER	TUBO IN PLASTICA-PER METRO	TUYAU EN PLASTIQUE-POUR METRE	PLASTIK ROHR-PRO METER
29	281900 01		PLASTIC TUBE-PER METER	TUBO IN PLASTICA-PER METRO	TUYAU EN PLASTIQUE-POUR METRE	PLASTIK ROHR-PRO METER
30	630020 01		MECHANICAL FILTER	FILTRO MECCANICO	FILTRE MECHANIQUE	MECHANISCH FILTERN
31	620306 27 620306 48	620306 46	HOT GAS VALVE BODY HOT GAS VALVE COIL	CORPO VALVOLA GAS CALDO BOBINA VALVOLA GAS CALDO	CORP VANNE GAZ CHAUD BOBINE VANNE GAZ CHAUD	HEISSGAZ VENTIL GEHÄUSE HEISSGAZ VENTIL SPULE
32	620003 06		DRIER	FILTRO DEUMIDIFICATORE	FILTRE DESHYDRATEUR	TROCKNER
33	784263 07 784263 09		EVAPORATOR ASSY - M EVAPORATOR ASSY - L	ASSIEME EVAPORATORE - M ASSIEME EVAPORATORE - L	ENSAMBLE ÉVAPORATEUR - M ENSAMBLE ÉVAPORATEUR - L	VERDAMPFEREINHEIT - M VERDAMPFEREINHEIT - L
34	784444 06	784444 08	SUCTION LINE/ACCUMULATOR	ACCUMUL. E LINEA ASPIRAZIONE	ENS. ASPIRATION/ACCUMULATEUR	SAMMLER UND SAUGLEITUNGEN



EDIPROM
BERGAMO
9728 04

20 - 30 - WATER SYSTEM - CIRCUITO IDRAULICO - CIRCUIT HYDRAULIQUE - WASSERSYSTEM

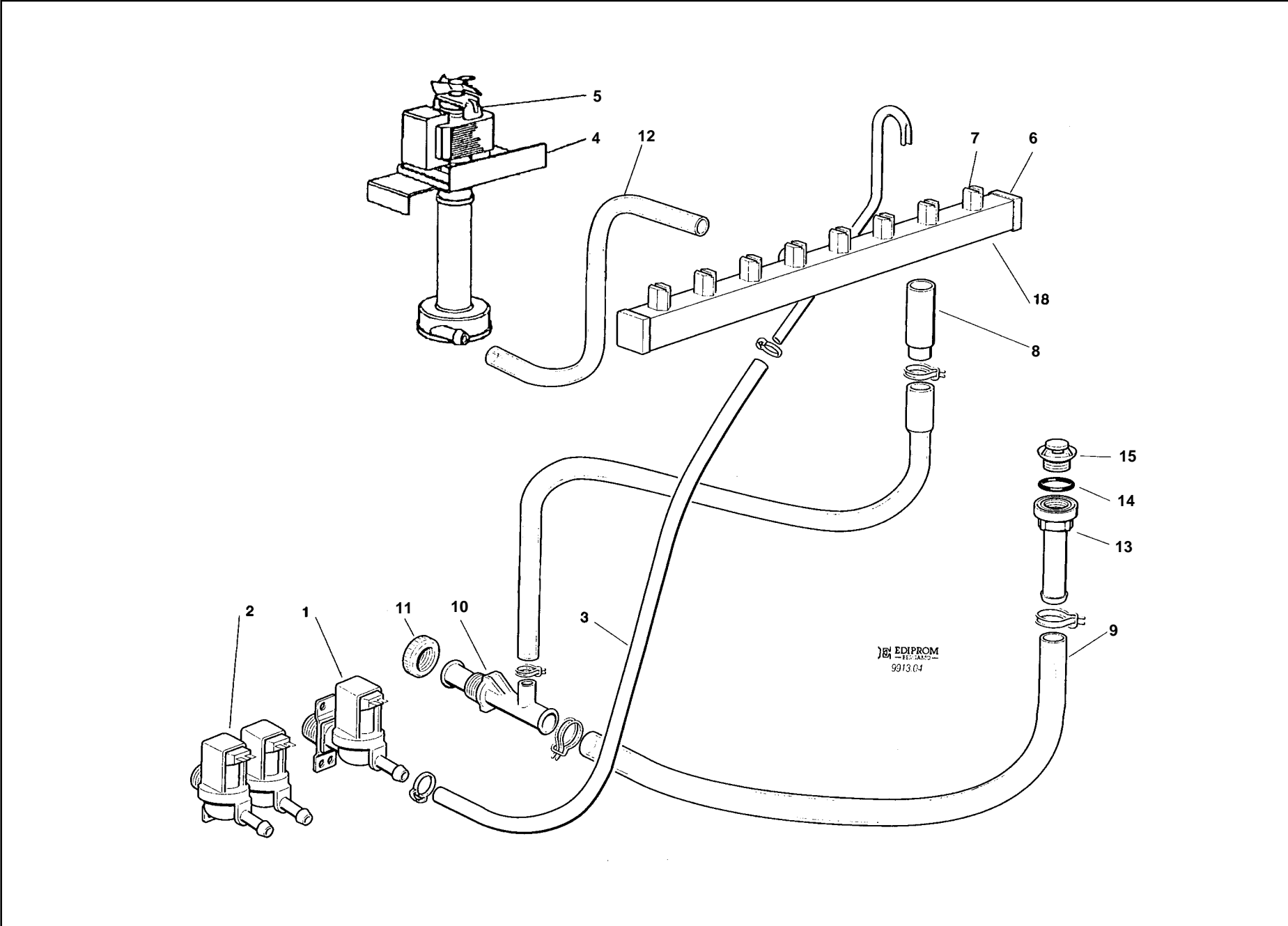
ITEM NO POS NO REP. NO REF. NO	PART NO CODICE REFERENCE STUECK NR		DESCRIPTION	DESCRIZIONE	DESIGNATION	BESCHREIBUNG
	20	30				
1	650105 50 650105 51		WATER INLET VALVE - AIR COOLED WATER INLET VALVE - WATER COOLED	VALVOLA INGR. ACQUA - RAFF. ARIA VALVOLA INGR. ACQUA - RAFF. ACQUA	VANNE ARRIVEE EAU - REFR. AIR VANNE ARRIVEE EAU - REFR. EAU	WASSEREINLAUFVENTIL - LUFTGEKÜHLT WASSEREINLAUFVENTIL - WASSERGEKÜHLT
2	281900 01		WATER INLET TUBE-PER METER	TUBO INGRESSO ACQUA-PER METRO	TUYAU ARRIVEE EAU-POUR METRE	WASSEREINLAUFROHR-PRO METER
3	NO NBR		COPPER TUBE	TUBO RAME	TUYAU EN CUIVRE	COPPERHOR
4	723079 02		METAL BRACKET	SUPPORTO IN METALLO	SUPPORT METALLIQUE	METALLTRAEGER
5	620433 00 620433 01		WATER PUMP ASSY - 230/50/1 WATER PUMP ASSY - 230/60/1	ASSIEME POMPA - 230/50/1 ASSIEME POMPA - 230/60/1	ENSAMBLE POMPE A EAU - 230/50/1 ENSAMBLE POMPE A EAU - 230/60/1	WASSER PUMPE - 230/50/1 WASSER PUMPE - 230/60/1
6	610160 00	610150 02	WATER TUBE - PUMP TO SPRAY SYSTEM	TUBO MANDATA POMPA	TUYAU POMPE PLAQUE D'ARROSAGE	SCHLAUCH PUMPE - SPRUHSYSTEME
7	793129 01		SPRAY PLATEN ASSY	ASSIEME SPRUZZATORE	ENS. PLAQUE PULVERISATION EAU	SPRUHSYSTEM EINHEIT
8	660520 03		PLASTIC PLUG	TAPPO IN PLASTICA	BOUCHON EN PLASTIQUE	PLASTIKVERSTOPFEN
9	660520 02		PLASTIC PLUG	TAPPO IN PLASTICA	BOUCHON EN PLASTIQUE	PLASTIKVERSTOPFEN
10	660519 01		PLASTIC COVER	COPERCHIO IN PLASTICA	COUVERCLE EN PLASTIQUE	PLASTIKDECKEL
11	640041 20		O RING	GUARNIZIONE O R	JOINT TORIQUE	SIMMER RING
12	660387 05	660387 04	OVERFLOW STAND PIPE	TUBO TROPPO PIENO	TROP PLEIN	UEBERLAUFROHR
13	610148 10		DRAIN TUBE	TUBO SCARICO	TUYAU EVACUATION	ABFLUSSROHR
14	660224 00		DRAIN T FITTING	RACCORDO DI SCARICO	RACCORD T D'EVACUATION	T STÜCK
15	660535 00		PLASTIC RING NUT	GHIERA IN PLASTICA	COLLIER DE SERRAGE EN PLASTIQUE	PLASTIKRING MUTTER



EDIPROM
BERGAMO
9832.05

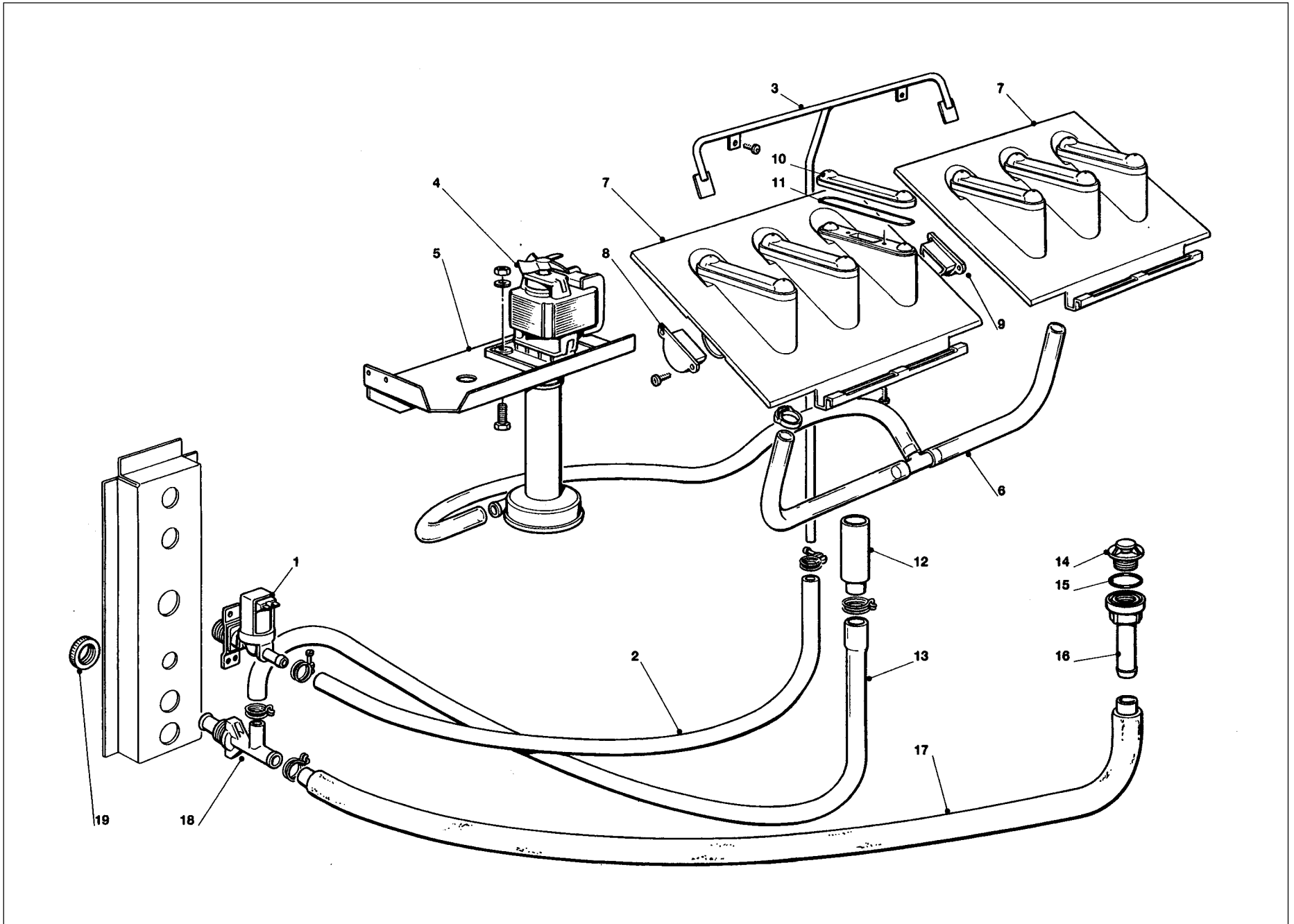
40 - WATER SYSTEM - CIRCUITO IDRAULICO - CIRCUIT HYDRAULIQUE - WASSERSYSTEM

ITEM NO POS NO REP. NO REF. NO	PART NO CODICE REFERENCE TUECK NR	DESCRIPTION	DESCRIZIONE	DESIGNATION	BESCHREIBUNG
1	650105 50 650105 51	WATER INLET VALVE - AIR COOLED WATER INLET VALVE - WATER COOLED	VALVOLA INGR. ACQUA - RAFF. ARIA VALVOLA INGR. ACQUA - RAFF. ACQUA	VANNE ARRIVEE EAU - REFR. AIR VANNE ARRIVEE EAU - REFR. EAU	WASSEREINLAUFVENTIL - LUFTGEKÜHLT WASSEREINLAUFVENTIL - WASSERGEKÜHLT
2	281900 01	WATER INLET TUBE-PER METER	TUBO INGRESSO ACQUA-PER METRO	TUYAU ARRIVEE EAU-POUR METRE	WASSEREINLAUFROHR-PRO METER
3	NO NBR	COPPER TUBE	TUBO RAME	TUYAU EN CUIVRE	COPPERHOR
4	NO NBR	METAL BRACKET	SUPPORTO IN METALLO	SUPPORT METALLIQUE	METALLTRAEGER
5	620433 00 620433 01	WATER PUMP ASSY - 230/50/1 WATER PUMP ASSY - 230/60/1	ASSIEME POMPA - 230/50/1 ASSIEME POMPA - 230/60/1	ENSAMBLE POMPE A EAU - 230/50/1 ENSAMBLE POMPE A EAU - 230/60/1	WASSER PUMPE - 230/50/1 WASSER PUMPE - 230/60/1
6	610147 00	WATER TUBE - PUMP TO SPRAY SYSTEM	TUBO MANDATA POMPA	TUYAU POMPE PLAQUE D'ARROSAGE	SCHLAUCH PUMPE - SPRUHSYSTEME
7	793129 01	SPRAY PLATEN ASSY	ASSIEME SPRUZZATORE	ENS. PLAQUE PULVERISATION EAU	SPRUHSYSTEM EINHEIT
8	660520 03	PLASTIC PLUG	TAPPO IN PLASTICA	BOUCHON EN PLASTIQUE	PLASTIKVERSTOPFEN
9	660520 02	PLASTIC PLUG	TAPPO IN PLASTICA	BOUCHON EN PLASTIQUE	PLASTIKVERSTOPFEN
10	660519 01	PLASTIC COVER	COPERCHIO IN PLASTICA	COUVERCLE EN PLASTIQUE	PLASTIKDECKEL
11	640041 20	O RING	GUARNIZIONE O R	JOINT TORIQUE	SIMMER RING
12	744111 00	OVERFLOW STAND PIPE	TUBO TROPPO PIENO	TROP PLEIN	UEBERLAUFROHR
13	660219 01	DRAIN T FITTING	RACCORDO DI SCARICO	RACCORD T D'EVACUATION	T STÜCK
14	640134 00	O RING	GUARNIZIONE O R	JOINT TORIQUE	SIMMER RING
15	660211 01	DRAIN FILTER	FILTRO SCARICO ACQUA	FILTRE EVACUATION EAU	ABFLUSSFILTER
16	610170 02	OVERFLOW DRAIN TUBE	TUBO SCARICO TROPPO PIENO	TUYAU EVAPORATION T.P.	ABFLUSSROHR
17	610148 10	DRAIN TUBE	TUBO SCARICO	TUYAU EVACUATION	ABFLUSSROHR
18	660224 00	DRAIN T FITTING	RACCORDO DI SCARICO	RACCORD T D'EVACUATION	T STÜCK
19	660535 00	PLASTIC RING NUT	GHIERA IN PLASTICA	COLLIER DE SERRAGE EN PLASTIQUE	PLASTIKRING MUTTER



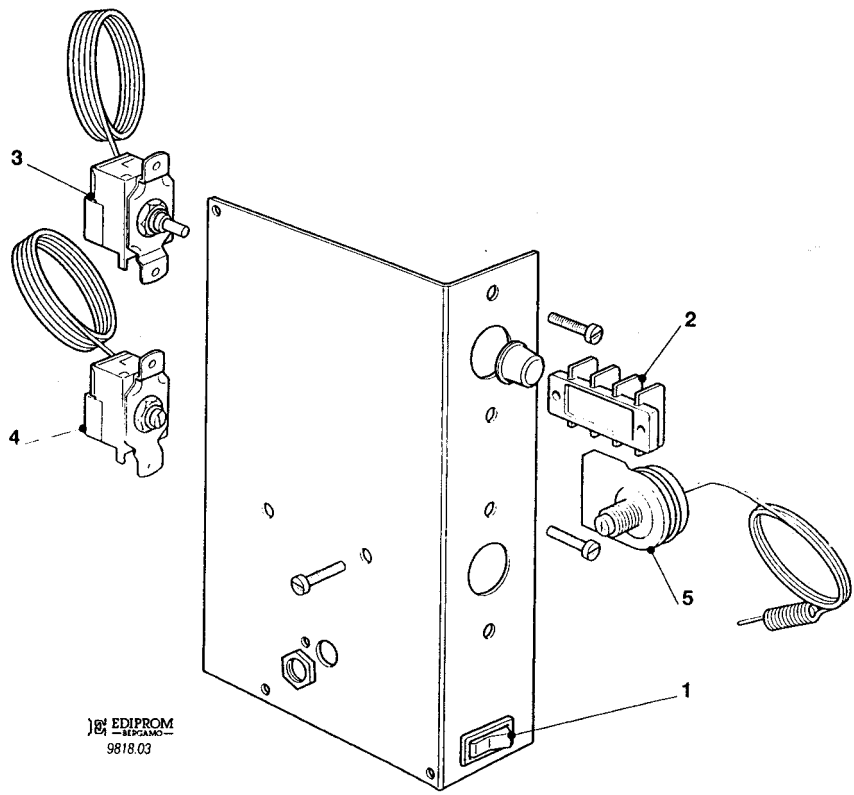
50 - WATER SYSTEM - CIRCUITO IDRAULICO - CIRCUIT HYDRAULIQUE - WASSERSYSTEM

ITEM NO POS NO REP. NO REF. NO	PART NO CODICE REFERENCE STUECK NR	DESCRIPTION	DESCRIZIONE	DESIGNATION	BESCHREIBUNG
1	650105 50	WATER INLET VALVE - AIR COOLED	VALVOLA INGR. ACQUA - RAFF. ARIA	VANNE ARRIVEE EAU - REFR. AIR	WASSEREINLAUFVENTIL - LUFTGEKÜHLT
2	650105 51	WATER INLET VALVE - WATER COOLED	VALVOLA INGR. ACQUA - RAFF. ACQUA	VANNE ARRIVEE EAU - REFR. EAU	WASSEREINLAUFVENTIL - WASSERGEKÜHLT
3	281900 01	WATER INLET TUBE-PER METER	TUBO INGRESSO ACQUA-PER METRO	TUYAU ARRIVEE EAU-POUR METRE	WASSEREINLAUFROHR-PRO METER
4	724345 00	PUMP MOTOR BRACKET	SUPPORTO POMPA	SUPPORT METALLIQUE POMPE	PUMPENTRÄGER
5	620433 00 620433 01	WATER PUMP ASSY 230/50/1 WATER PUMP ASSY 230/60/1	ASSIEME POMPA 230/50/1 ASSIEME POMPA 230/60/1	ENSAMBLE POMPE A EAU 230/50/1 ENSAMBLE POMPE A EAU 230/60/1	WASSER PUMPE 230/50/1 WASSER PUMPE 230/60/1
6	660557 00	SPRAY PLUG	TAPPO	BOUCHON RAMPE	STOPFEN
7	660558 00	SPRAY JET	UGELLO SPRUZZATORE	BOUCHON EN PLASTIQUE GICLEUR	SPÜHDÜSEN
8	281720 06	OVERFLOW STAND PIPE	TUBO TROPPO PIENO	TUYAU TROP PLEIN	UEBERLAUFROHR
9	610148 10	WATER DRAIN TUBE	TUBO SCARICO ACQUA	TUYAU ÉVACUATION EAU	ABFLUSSROHR
10	660224 00	DRAIN T FITTING	RACCORDO DI SCARICO	RACCORD T D'EVACUATION	T STÜCK
11	660535 00	PLASTIC RING NUT	GHIERA IN PLASTICA	COLLIER DE SERRAGE EN PLASTIQUE	PLASTIKRING MUTTER
12	610193 00	WATER TUBE - PUMP TO SPRAY SYSTEM	TUBO MANDATA POMPA	TUYAU POMPE PLAQUE D'ARROSAGE	SCHLAUCH PUMPE - SPRUHSYSTEME
13	660219 01	DRAIN T FITTING	RACCORDO DI SCARICO	RACCORD T D'EVACUATION	T STÜCK
14	640134 00	O RING	GUARNIZIONE O R	JOINT TORIQUE	SIMMER RING
15	660211 01	DRAIN FILTER	FILTRO SCARICO ACQUA	FILTRE EVACUATION EAU	ABFLUSSFILTER
18	650665 23 650665 24	WATER DISTRIBUTOR TUBE - M WATER DISTRIBUTOR TUBE - L	TUBO DISTRIBUTORE ACQUA - M TUBO DISTRIBUTORE ACQUA - L	TUYAU DISTRIBUTEUR EAU - M TUYAU DISTRIBUTEUR EAU - L	WASSERVERTEILERROHR - M WASSERVERTEILERROHR - L



65 - 90 - WATER SYSTEM - CIRCUITO IDRAULICO - CIRCUIT HYDRAULIQUE - WASSERSYSTEM

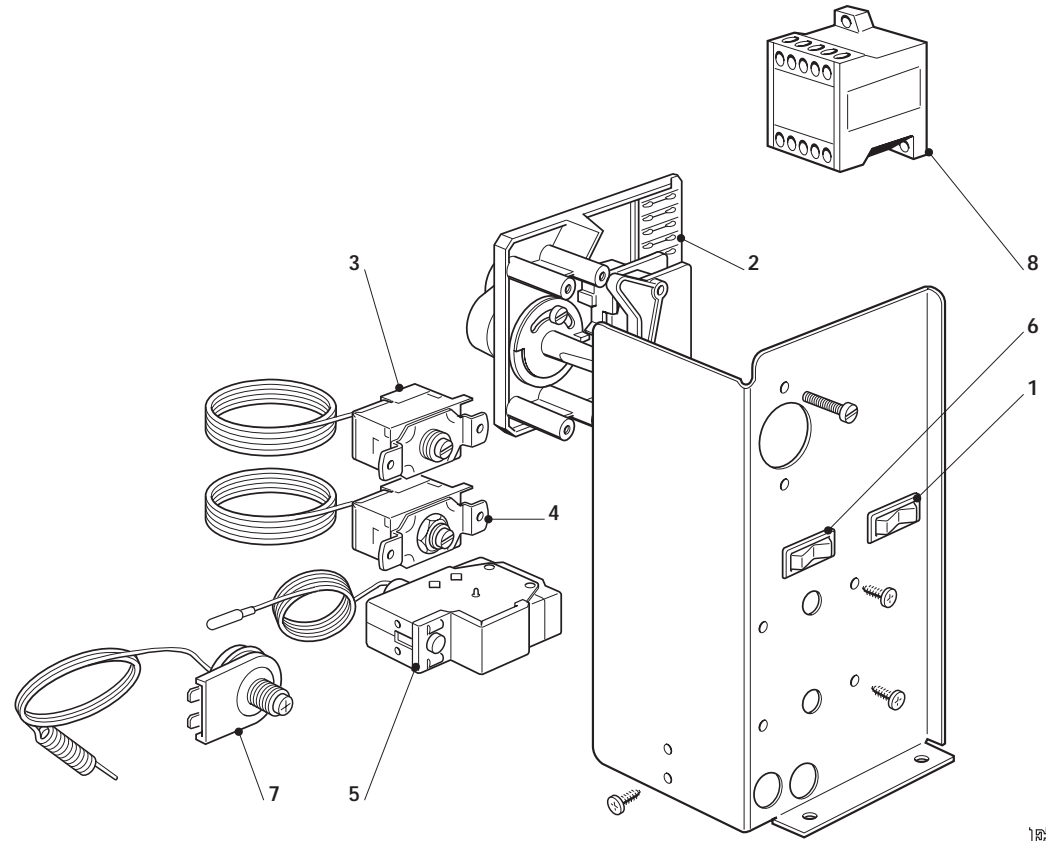
ITEM NO POS NO REP. NO REF. NO	PART NO CODICE REFERENCE STUECK NR	DESCRIPTION	DESCRIZIONE	DESIGNATION	BESCHREIBUNG
1	650105 52	WATER INLET VALVE	VALVOLA INGRESSO ACQUA	VANNE ARRIVÉE D'EAU	WASSEREINLAUFVENTIL
2	281900 01	WATER INLET TUBE-PER METER	TUBO INGRESSO ACQUA-PER METRO	TUYAU ARRIVÉE D'EAU-POUR METRE	WASSEREINLAUFROHR-PRO METER
3	660537 00	WATER DISTRIBUTOR TUBE	TUBO DISTRIBUTORE D'ACQUA	TUYAU DISTRIBUTEUR EAU	WASSERVERTEILERROHR
4	620430 03 620430 05	WATER PUMP ASSY - 230/50/1 WATER PUMP ASSY - 230/60/1	ASSIEME POMPA - 230/50/1 ASSIEME POMPA - 230/60/1	ENSAMBLE POMPE A EAU - 230/50/1 ENSAMBLE POMPE A EAU - 230/60/1	WASSER PUMPE - 230/50/1 WASSER PUMPE - 230/60/1
5	723157 00	PUMP MOTOR BRACKET	SUPPORTO POMPA	SUPPORT METALLIQUE POMPE	PUMPENTRÄGER
6	610186 01	WATER TUBE - PUMP TO SPRAY SYSTEM	TUBO MANDATA POMPA	TUYAU - POMPE PLAQUE D'ARROSAGE	SCHLAUCH PUMPE - SPRUHSYSTEM
7	793129 01 794294 00 R	SPRAY PLATEN ASSY - M SPRAY PLATEN ASSY - L	ASSIEME PIASTRA SPRUZZANTE - M ASSIEME PIASTRA SPRUZZANTE - L	ENS. PLAQUE PULVERISATION EAU - M ENS. PLAQUE PULVERISATION EAU - L	SPRUHSYSTEM EINHEIT - M SPRUHSYSTEM EINHEIT - L
8	660520 03	PLASTIC PLUG - M	TAPPO IN PLASTICA - M	BOUCHON EN PLASTIQUE - M	PLASTIK VERSTOPFEN - M
9	660520 02	PLASTIC PLUG - M	TAPPO IN PLASTICA - M	BOUCHON EN PLASTIQUE - M	PLASTIK VERSTOPFEN - M
10	660519 01 660558 00	PLASTIC COVER - M SPRAY JET - L	COPERCHIO IN PLASTICA - M SPRUZZATORE SINGOLO - L	COUVERCLE EN PLASTIQUE - M GICLEUR - L	PLASTIK DECKEL - M SPRÜHDÜSEN - L
11	640041 20	O RING	GUARNIZIONE OR	JOINT TORIQUE	SIMMER RING
12	281720 06	OVERFLOW STAND PIPE	TUBO TROPPO PIENEO	TUYAU TROP PLEIN	UEBERLAUFROHR
13	610176 01	DRAIN TUBE - OVERFLOW	TUBO SCARICO T. P.	TUYAU EVACUATION T. P.	ABFLUSSROHR
14	660211 01	DRAIN FILTER	FILTRO SCARICO ACQUA	FILTRE EVACUATION EAU	ABFLUSSFILTER
15	640134 00	O RING	GUARNIZIONE O R	JOINT TORIQUE	SIMMER RING
16	660219 01	DRAIN FITTING	RACCORDO DI SCARICO	RACCORD EVACUATION	ABFLUSSROHR
17	610148 10	WATER DRAIN TUBE	TUBO SCARICO ACQUA	TUYAU ÉVACUATION EAU	ABFLUSSROHR
18	660224 00	DRAIN T FITTING	RACCORDO DI SCARICO	RACCORD T D'EVACUATION	T STÜCK
19	660535 00	PLASTIC RING NUT	GHIERA IN PLASTICA	COLLIER DE SERRAGE EN PLASTIQUE	PLASTICK RING MUTTER



EDIPROM
 9818.03

20 - 30 - 40 - CONTROL BOX - SCATOLA DI CONTROLLO - BOITE ELECTRIQUE - SCHALTSCHRANK

ITEM NO POS NO REP. NO REF. NO	PART NO CODICE REFERENCE STUECK NR	DESCRIPTION	DESCRIZIONE	DESIGNATION	BESCHREIBUNG
1	620442 01	SWITCH	INTERRUTTORE	INTERRUPTEUR	SCHALTER
2	630114 01	TERMINAL BOARD	MORSETTIERA	BORNIER	KLAMMERNSPLETTE
3	620264 11	EVAPORATOR THERMOSTAT	TERMOSTATO EVAPORATORE	THERMOSTAT EVAPORATEUR	VERDAMPFERTHERMOSTAT
4	620209 00	BIN THERMOSTAT	TERMOSTATO CONTENITORE	THERMOSTAT CONTENEUR	BEHÄLTER THERMOSTAT
5	620443 00	THERMOSTAT - SAFETY	TERMOSTATO DI SICUREZZA	THERMOSTAT DE SECURITÉ	SICHERHEITSTHERMOSTAT



EDIPROM
—SERGIAC—
0009.01

50 - 65 - 90 - CONTROL BOX - SCATOLA DI CONTROLLO - BOITE ELECTRIQUE - SCHALTSCHRANK

ITEM NO POS NO REP. NO REF. NO	PART NO CODICE REFERENCE STUECK NR		DESCRIPTION	DESCRIZIONE	DESIGNATION	BESCHREIBUNG
	50	65 - 90				
1	620242 02	620242 02	SWITCH	INTERRUTTORE LUMINOSO	INTERRUPTEUR LUMINEUX	SCHALTER
2	620441 00	620441 02	TIMER	TIMER	MINUTERIE	TIMER
3	620201 01	620201 01	EVAPORATOR THERMOSTAT	TERMOSTATO EVAPORATORE	THERMOSTAT EVAPORATEUR	VERDAMPFER THERMOSTAT
4	620209 00	620209 00	BIN THERMOSTAT	TERMOSTATO CONTENITORE	THERMOSTAT CONTENEUR	BEHÄLTER THERMOSTAT
5	620075 00	620075 00	PRESSURE CONTROL	PRESSOSTATO	PRESSOSTAT	PRESSOSTAT
6	620442 01	620442 01	SWITCH	COMMUTATORE	INTERRUPTEUR	UMSCHALTER
7	620443 00	620443 00	SAFETY THERMOSTAT	TERMOSTATO DI SICUREZZA	THERMOSTAT DE SECURITÉ	DRUCKWÄCHTER THERMOSTAT
8	***	630119 02	CONTACTOR	TELERUTTORE	CONTACTEUR	SCHALTSCHÜTZ