

www.atasrl.com

Modello
Macchine
Model
Model

AL 42 - 402

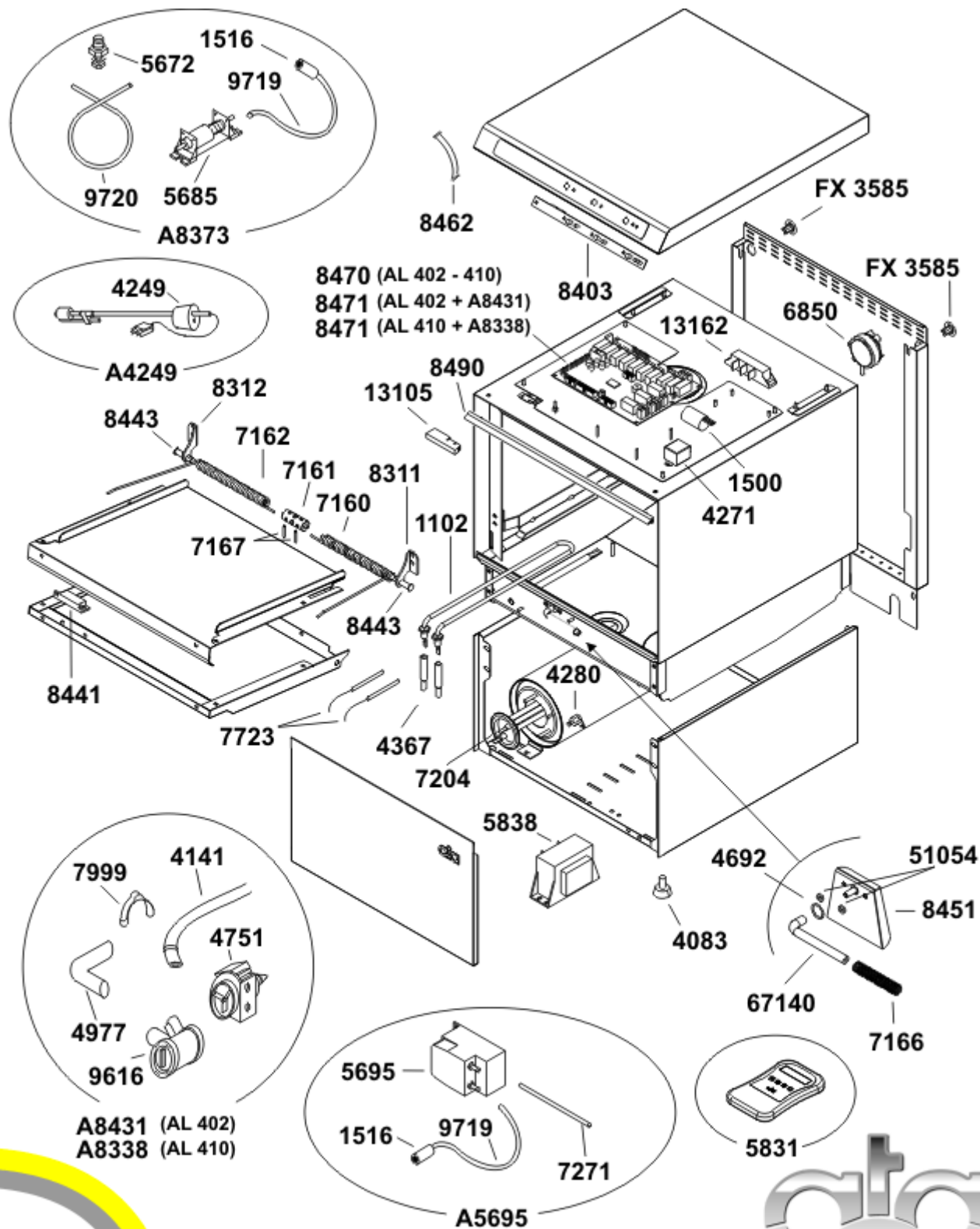
Dis. n° EM.AL.103

Data: 01/01/13



Professional dishwashers

A.T.A. S.R.L. 35026 CONSELVE (PD) ITALY VIALE DEL PROGRESSO 20 - Z. I. PHONE 049/9500555 (4 LINEE R.A.) FAX 049/9500560



AL 402
AL 410

Modello
Macchina
Modello

Dis. n° EE.AL.092

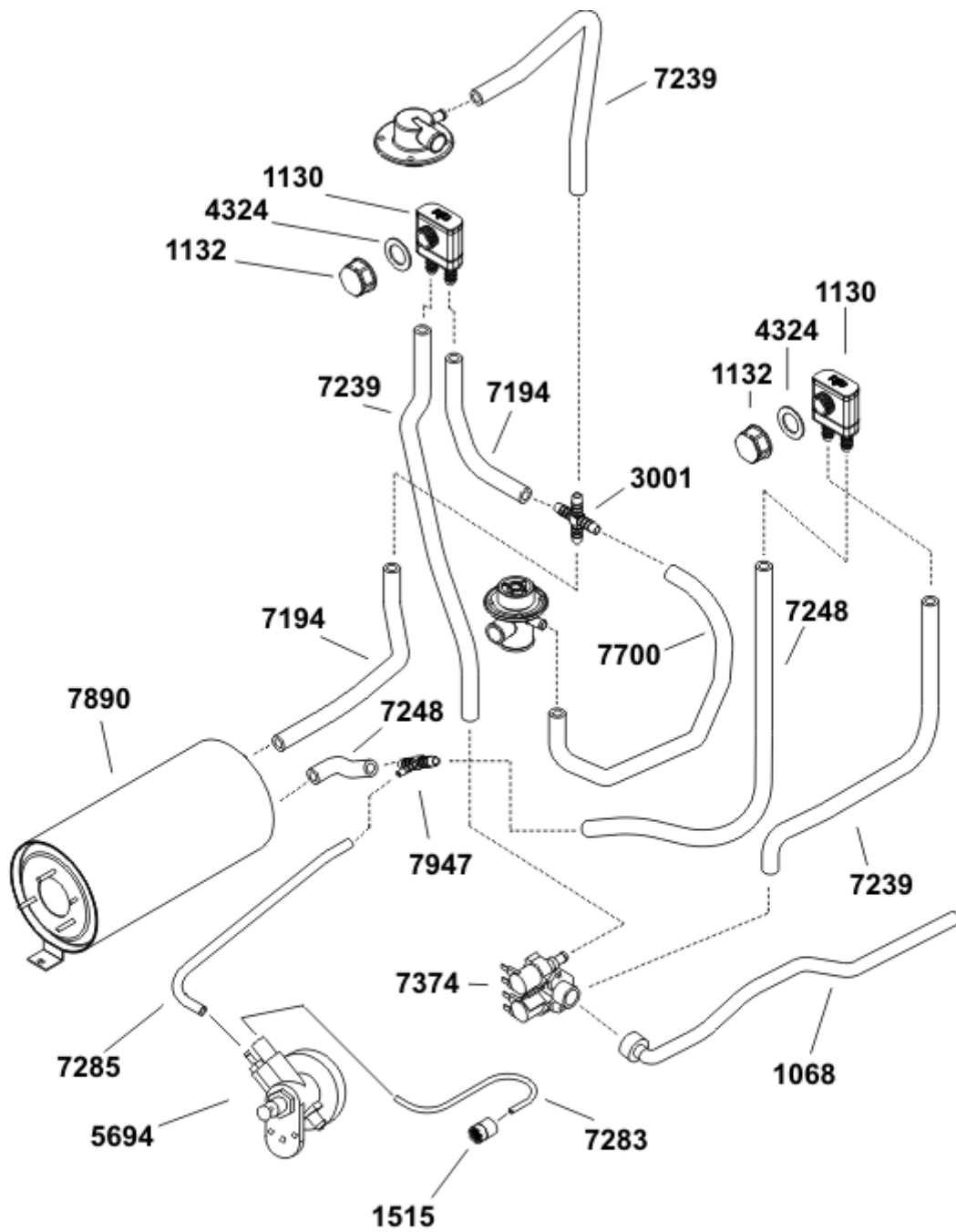
Data: 01/01/15



Professional dishwashers

www.atasrl.com

A.T.A. S.R.L. 35026 CONSELVE (PD) ITALY VIALE DEL PROGRESSO 20 - Z. I. PHONE 049/9500555 (4 LINEE R.A.) FAX 049/9500560



www.atasrl.com

Modello
Macchina
Modello
Macchina

AL 402

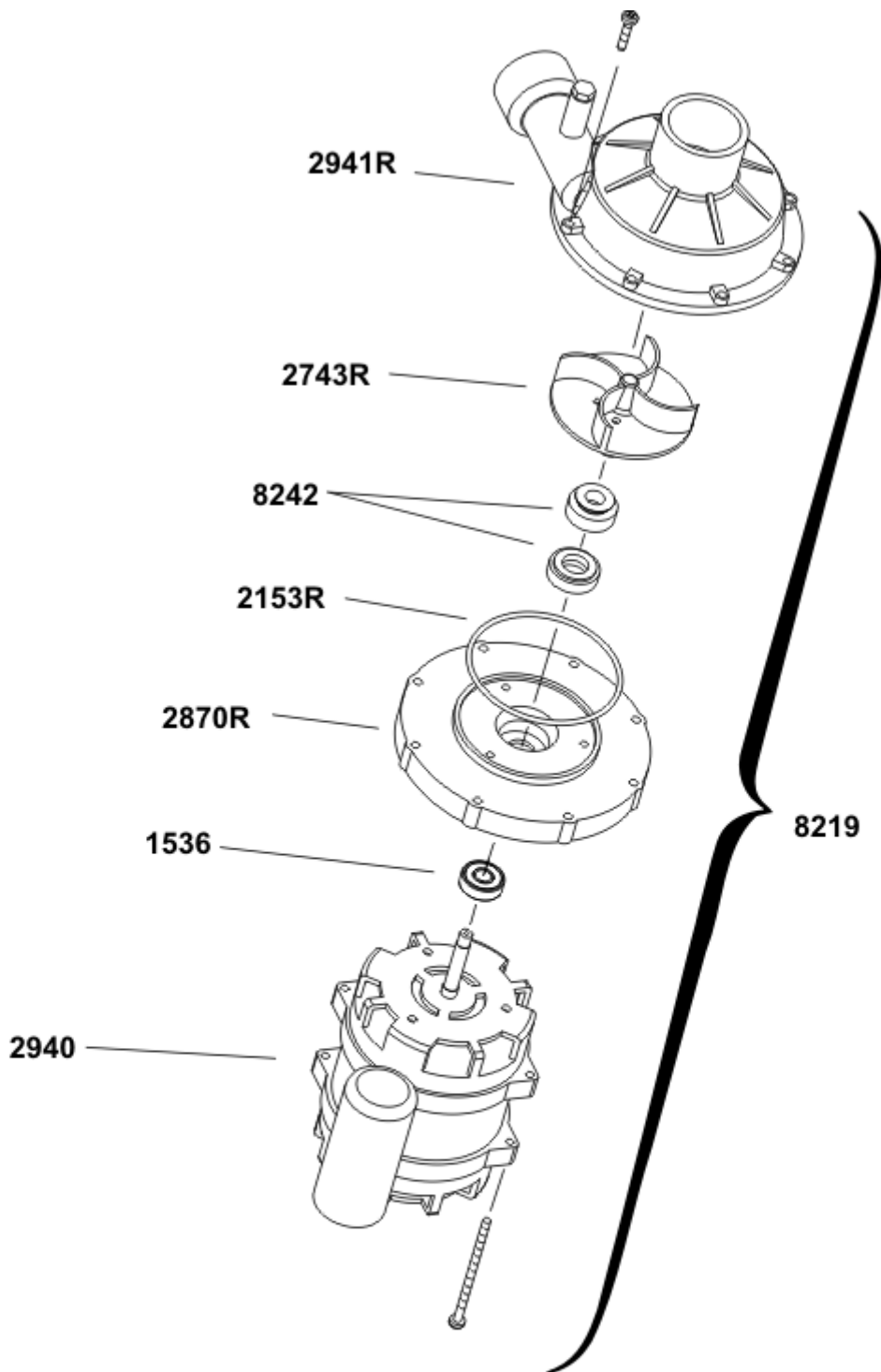
Dis. n° EI.AL.097

Data: 01/01/13



Professional dishwashers

A.T.A. S.R.L. 35026 CONSELVE (PD) ITALY VIALE DEL PROGRESSO 20 - Z. I. PHONE 049/9500555 (4 LINEE R.A.) FAX 049/9500560



www.atasrl.com

ELETTROPOMPA

0,24 kW

Modello
Macchine
Modello

Dis. n° EE.P.067

Data: 01/12/10



Professional dishwashers

A.T.A. S.R.L. 35026 CONSELVE (PD) ITALY VIALE DEL PROGRESSO 20 - Z. I. PHONE 049/9500555 (4 LINEE R.A.) FAX 049/9500560