

Modello
Modello
Modello
Modello

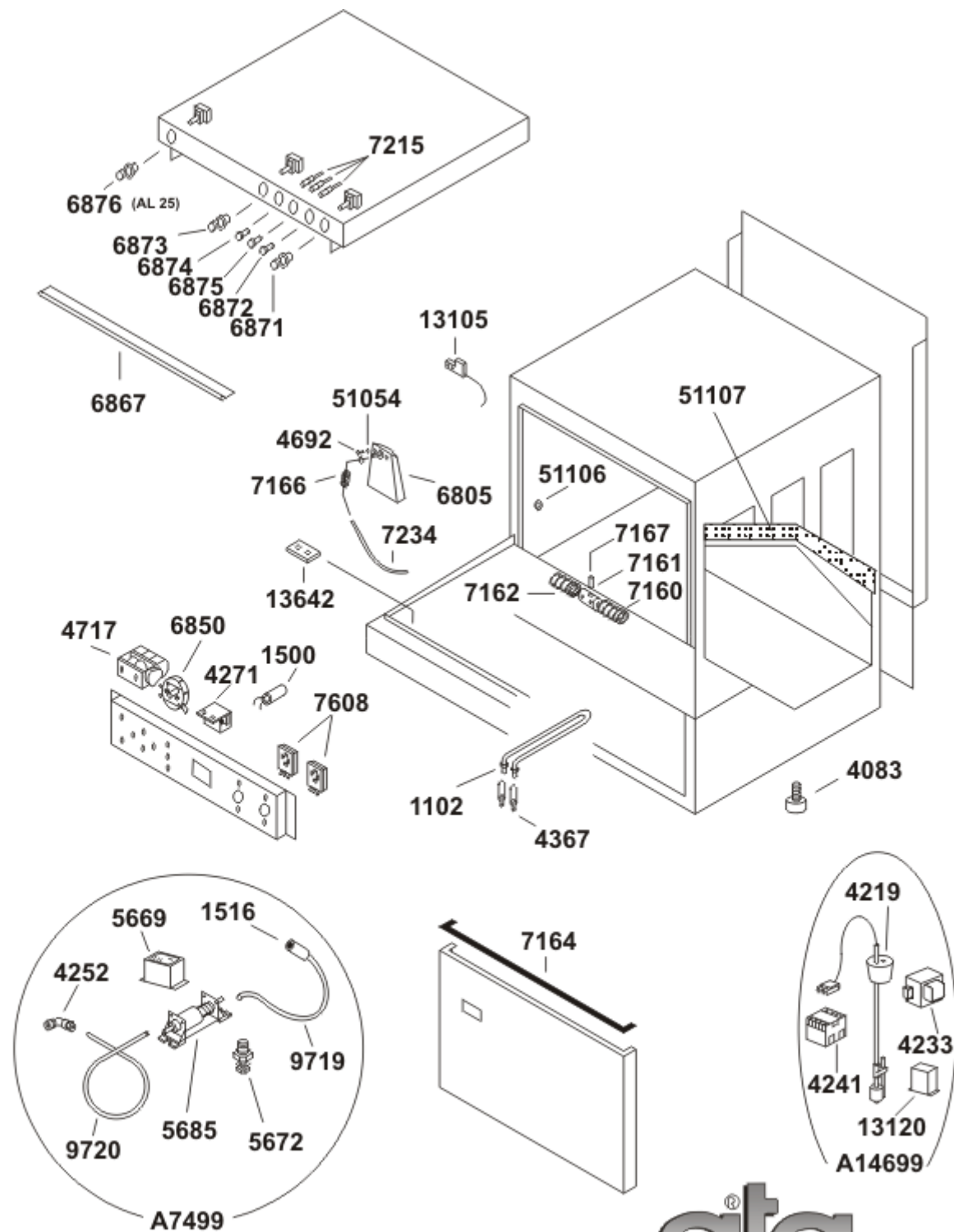
AL 25

Dis. N° EM.AL.066

data: 01-01-08



A.T.A. S.R.L. 35026 CONSELVE (PD) ITALY VIALE DEL PROGRESSO 20 - Z. I. PHONE 049/9500555 (4 LINEE R.A.) FAX 049/9500560



Modello
Modulo
Modello
Modello

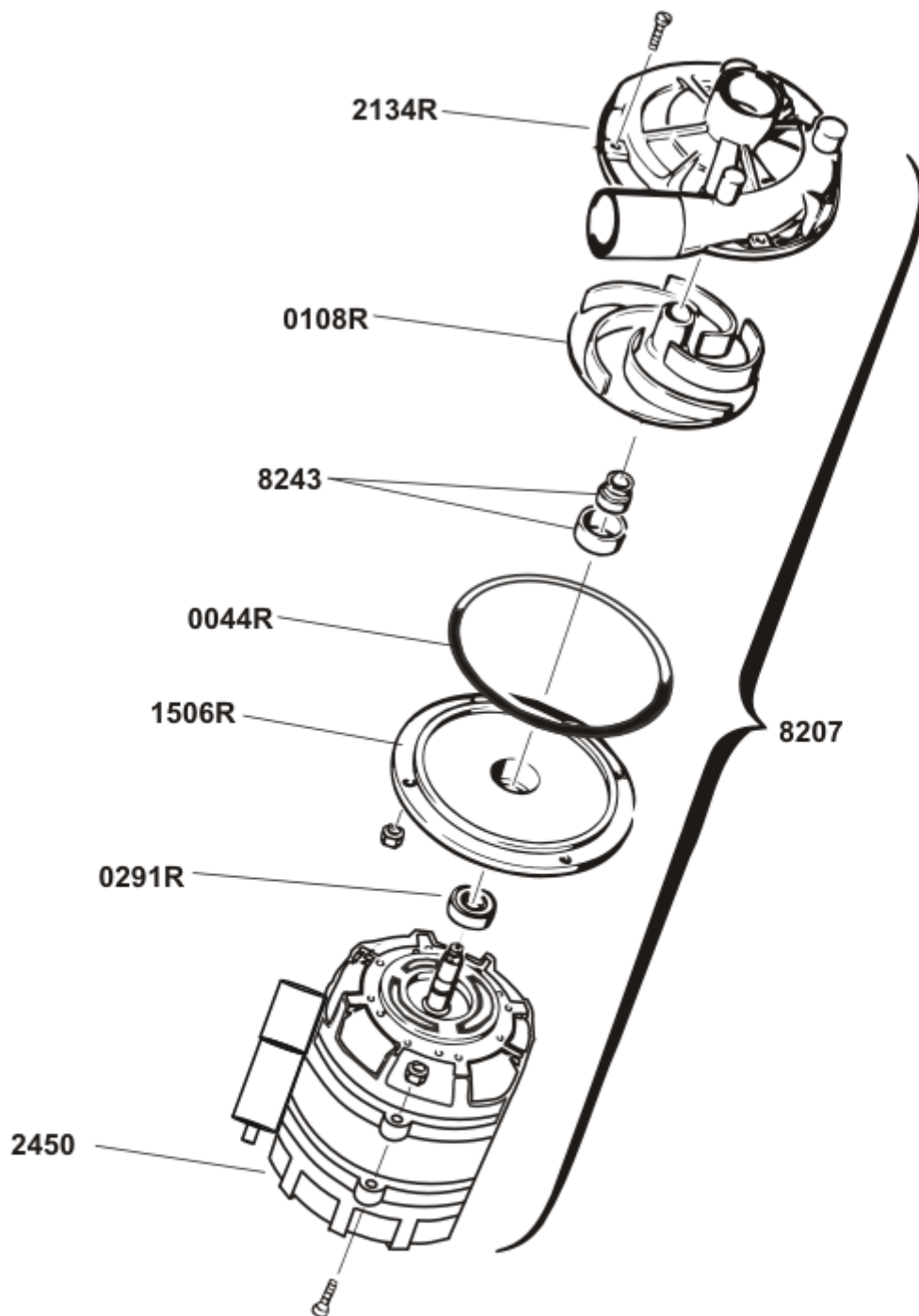
AL 20-25

Dis. N °EE.AL.067

data: 01-01-06



A.T.A. S.R.L. 35026 CONSELVE (PD) ITALY VIALE DEL PROGRESSO 20 - Z. I. PHONE 049/9500555 (4 LINEE R.A.) FAX 049/9500560



Modello
Macchine
Model
Model

ELETTROPOMPA 0,34 kW

Dis. N° EE.P.040

data: 01-01-08



A.T.A. S.R.L. 35026 CONSELVE (PD) ITALY VIALE DEL PROGRESSO - Z. I. PHONE 049/9500555 (4 LINEE R.A.) FAX 049/9500560