

Modello  
Macchina  
Model  
Model

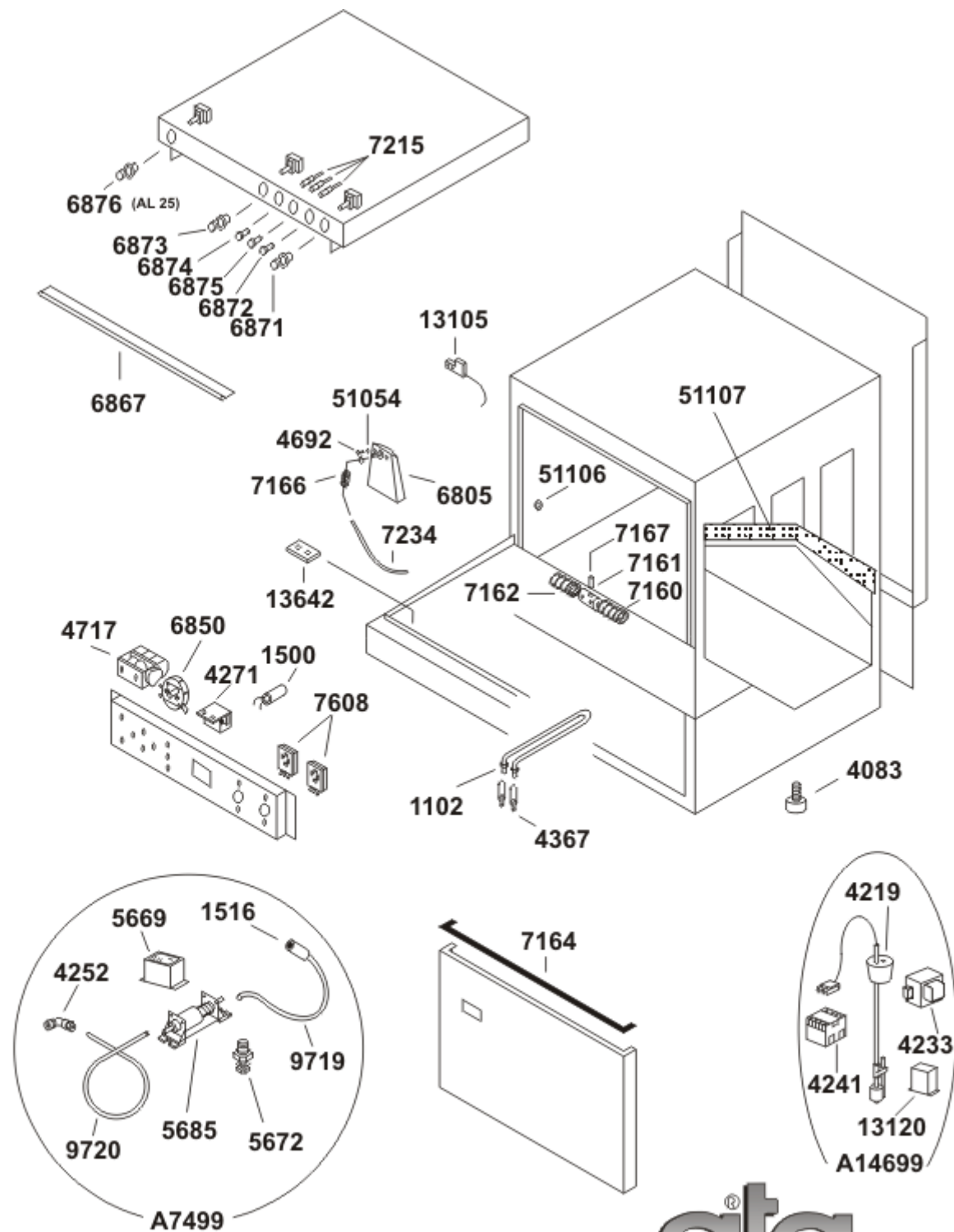
**AL 20**

Dis. N° EM.AL.065

data: 01-01-08



A.T.A. S.R.L. 35026 CONSELVE (PD) ITALY VIALE DEL PROGRESSO 20 - Z. I. PHONE 049/9500555 (4 LINEE R.A.) FAX 049/9500560



Modello  
Modèle  
Model  
Model

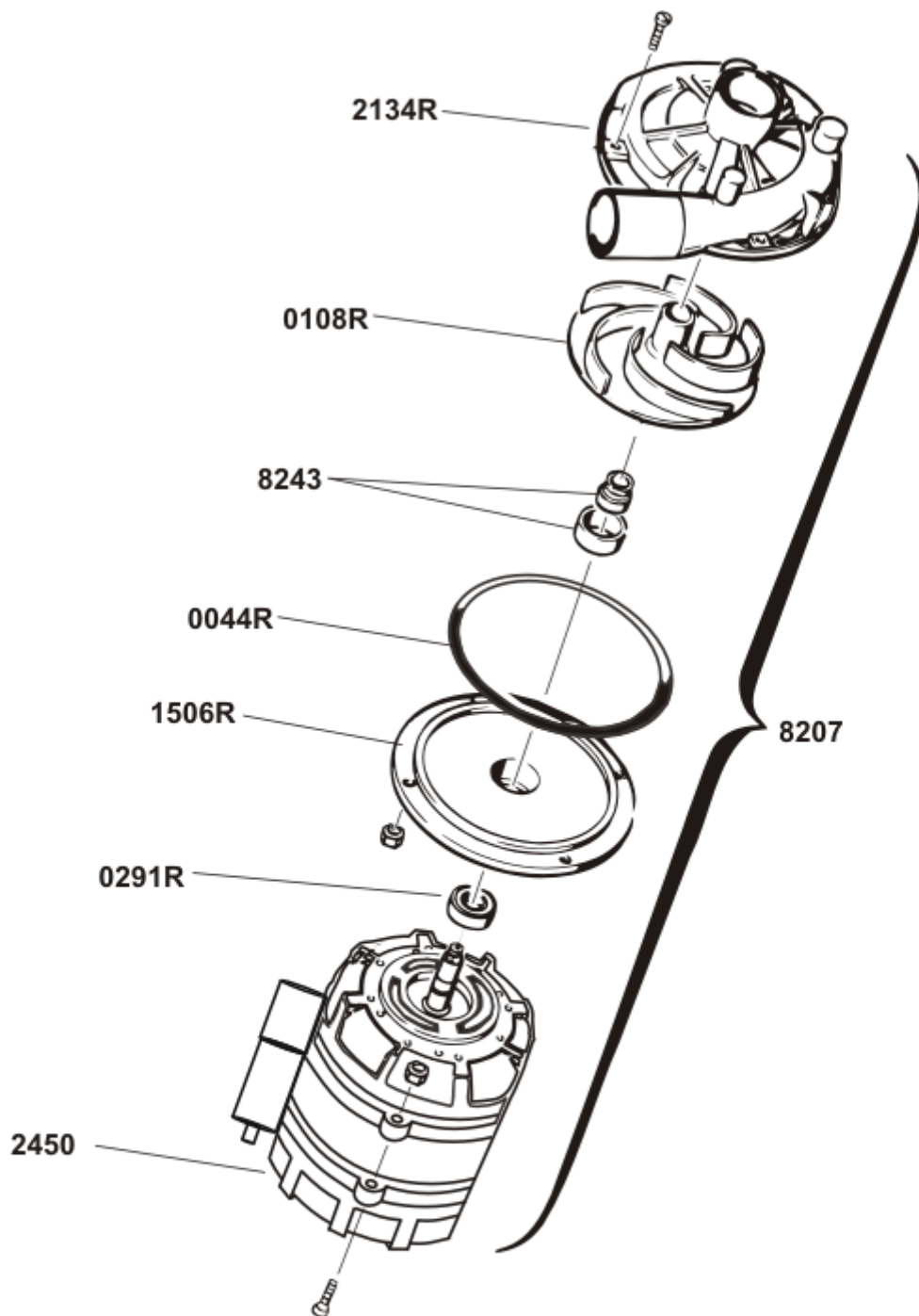
# AL 20-25

Dis. N °EE.AL.067

data: 01-01-06



A.T.A. S.R.L. 35026 CONSELVE (PD) ITALY VIALE DEL PROGRESSO 20 - Z. I. PHONE 049/9500555 (4 LINEE R.A.) FAX 049/9500560



Modello  
Macchine  
Model  
Model

**ELETTROPOMPA 0,34 kW**

Dis. N° EE.P.040

data: 01-01-08



A.T.A. S.R.L. 35026 CONSELVE (PD) ITALY VIALE DEL PROGRESSO - Z. I. PHONE 049/9500555 (4 LINEE R.A.) FAX 049/9500560