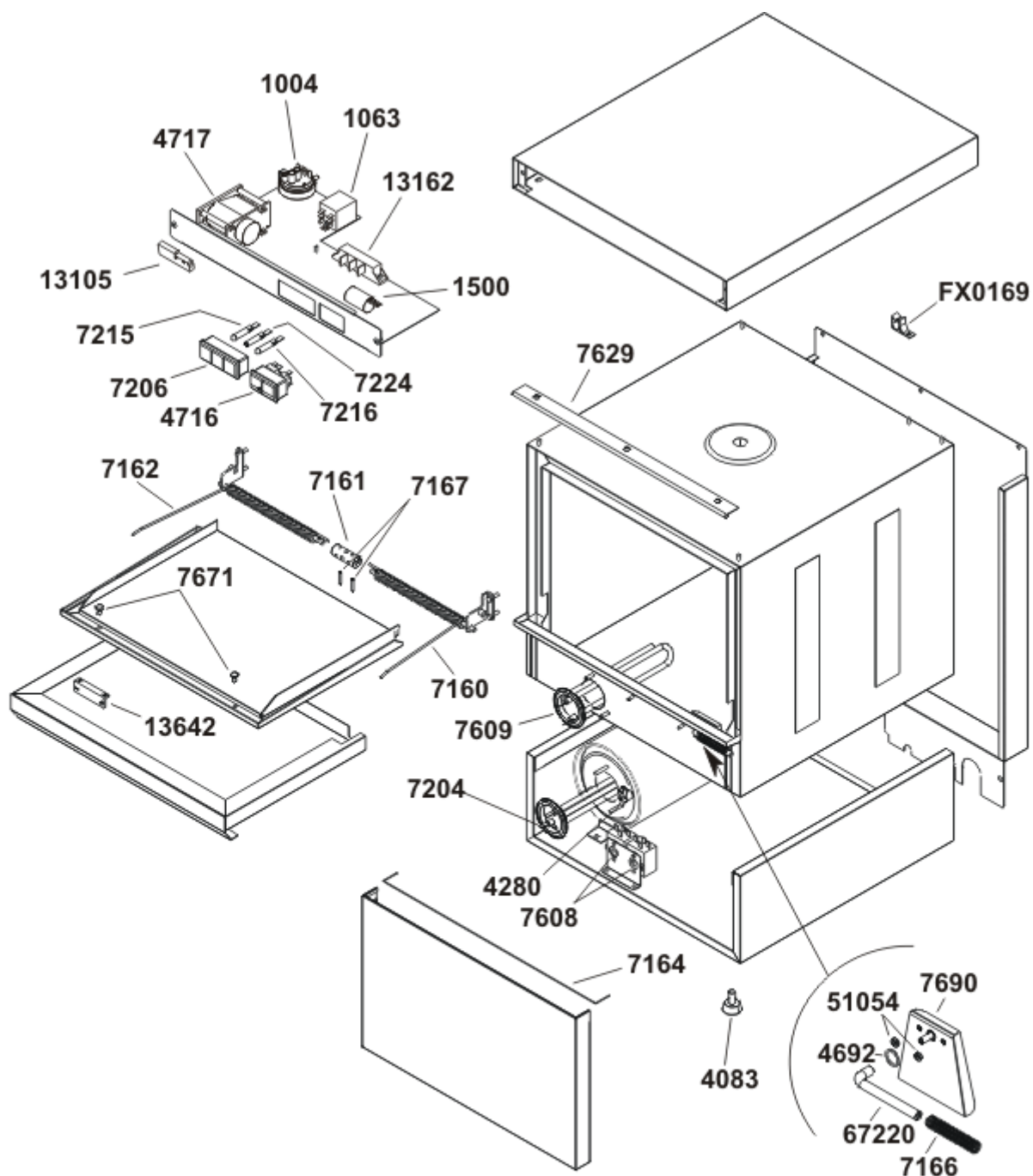


ECOPROGRAM

AL 07/09/07D/09D

Data 01-01-08

Dis. N. EM. AL. 070

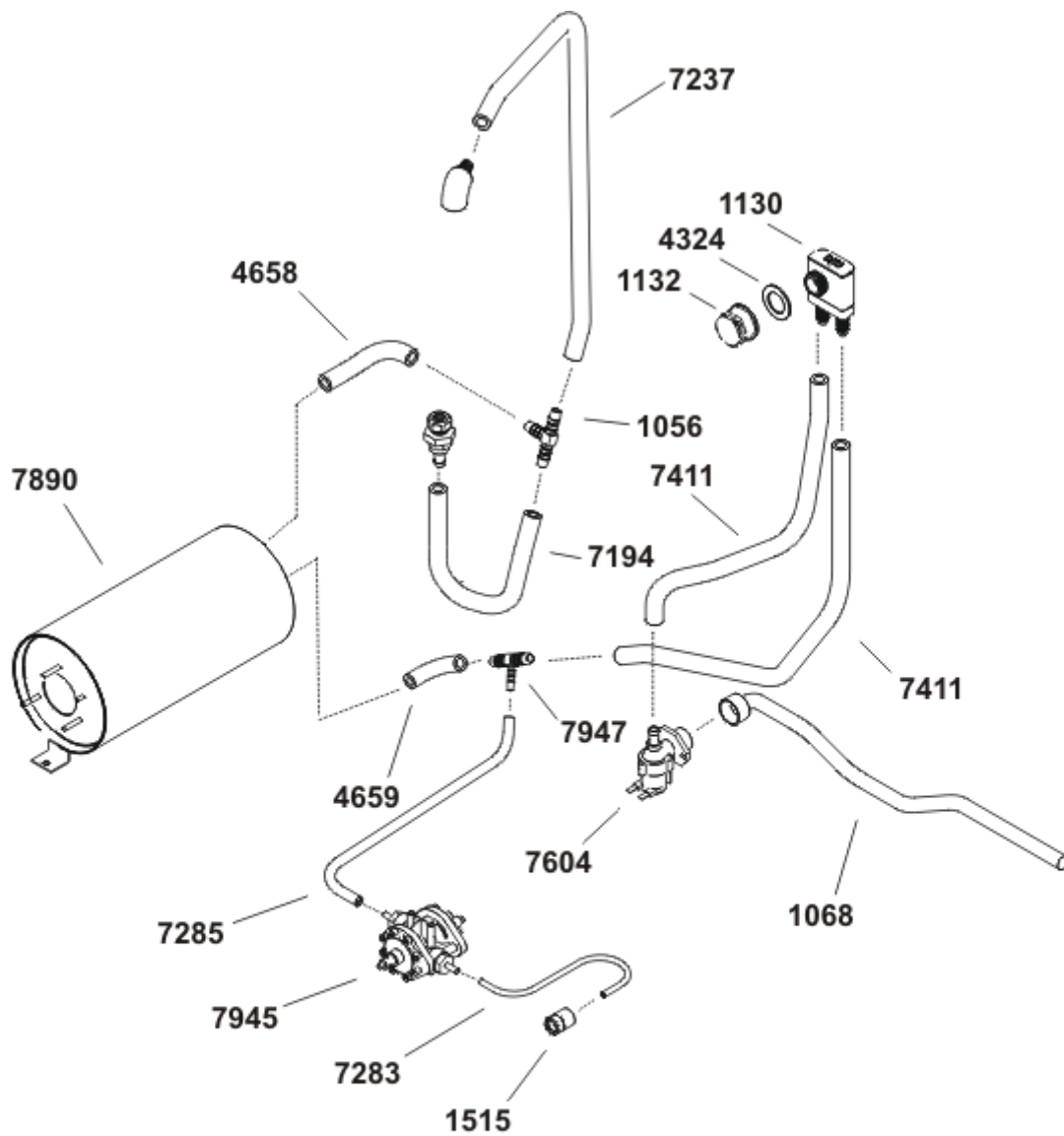


ECOPROGRAM

AL 07

Data 01-01-02

Dis. N. EE.AL.071

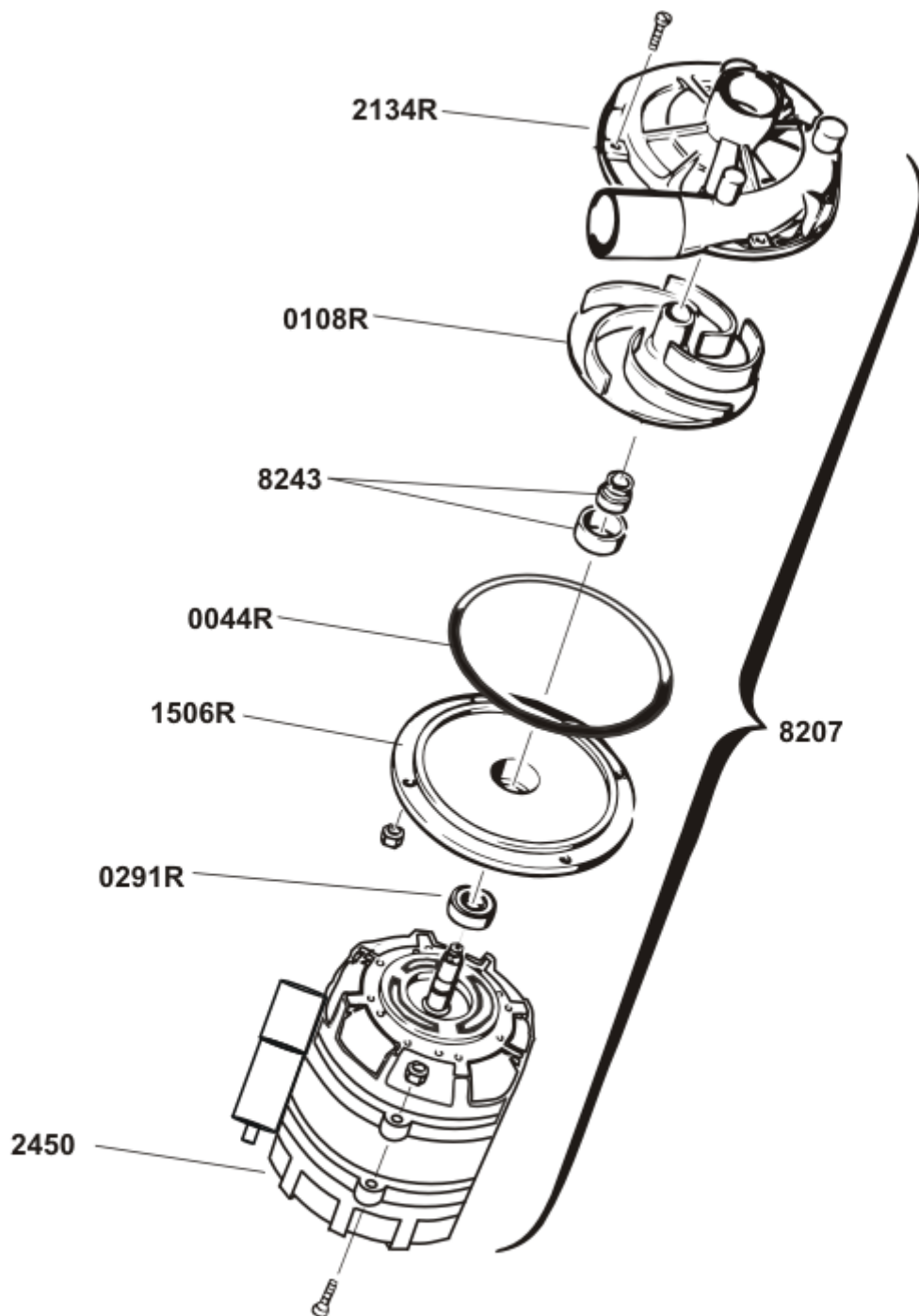


ECOPROGRAM

AL 07

Data 15-07-02

Dis. N. EI.AL.074



Modello
Macchine
Model
Model

ELETTROPOMPA 0,34 kW

Dis. N° EE.P.040

data: 01-01-08



A.T.A. S.R.L. 35026 CONSELVE (PD) ITALY VIALE DEL PROGRESSO - Z. I. PHONE 049/9500555 (4 LINEE R.A.) FAX 049/9500560