

Modello  
Modèle  
Model  
Modell

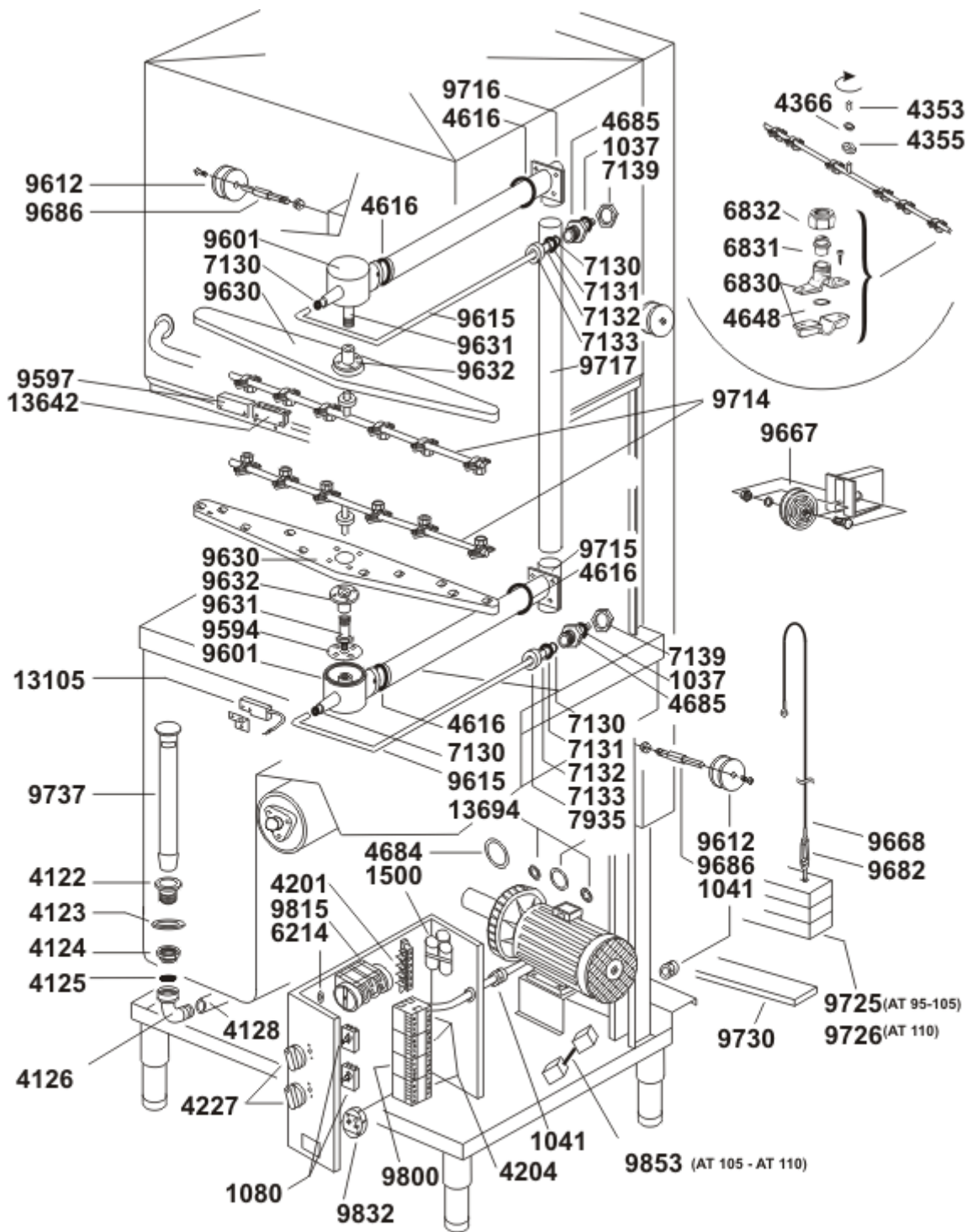
# AT 105 - 110

Dis. N° EM.AT.002

Data: 01-01-09



A.T.A. S.R.L. 35026 CONSELVE (PD) ITALY VIALE DEL PROGRESSO 20 - Z. I. PHONE 049/9500555 (4 LINEE R.A.) FAX 049/9500560



Modello  
Modello  
Modello  
Modello

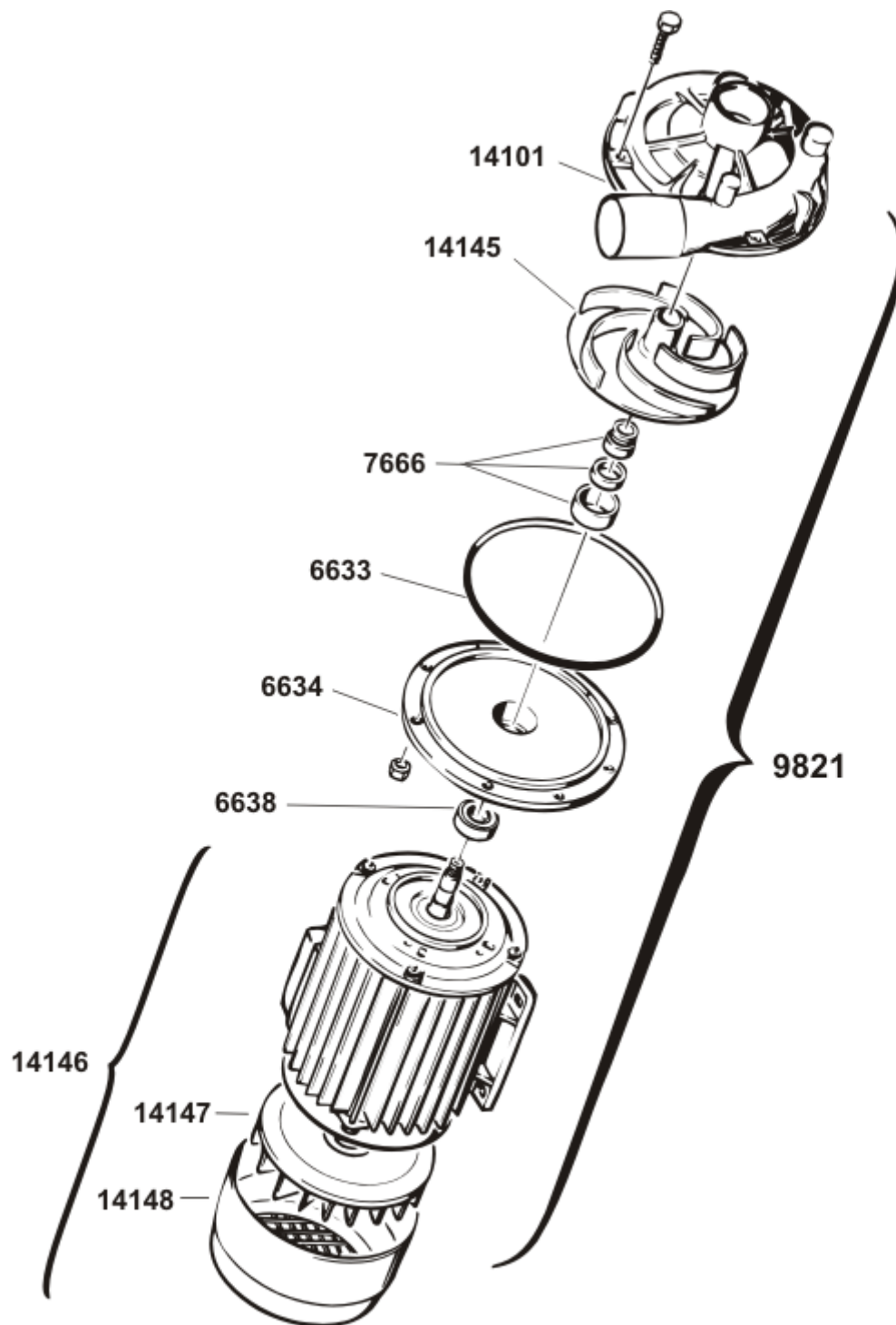
# AT 95 - 105 - 110

Dis. N °EE.AT.003

data: 01-01-09



A.T.A. S.R.L. 35026 CONSELVE (PD) ITALY VIALE DEL PROGRESSO 20 - Z. I. PHONE 049/9500555 (4 LINEE R.A.) FAX 049/9500560



Modello  
Modello  
Modello  
Modello

**ELETTROPOMPA 2 HP**

Dis. N °EE.P026

data: 01-01-03



A.T.A. S.R.L. 35026 CONSELVE (PD) ITALY VIALE DEL PROGRESSO 20 - Z. I. PHONE 049/9500555 (4 LINEE R.A.) FAX 049/9500560