

B 30 PS

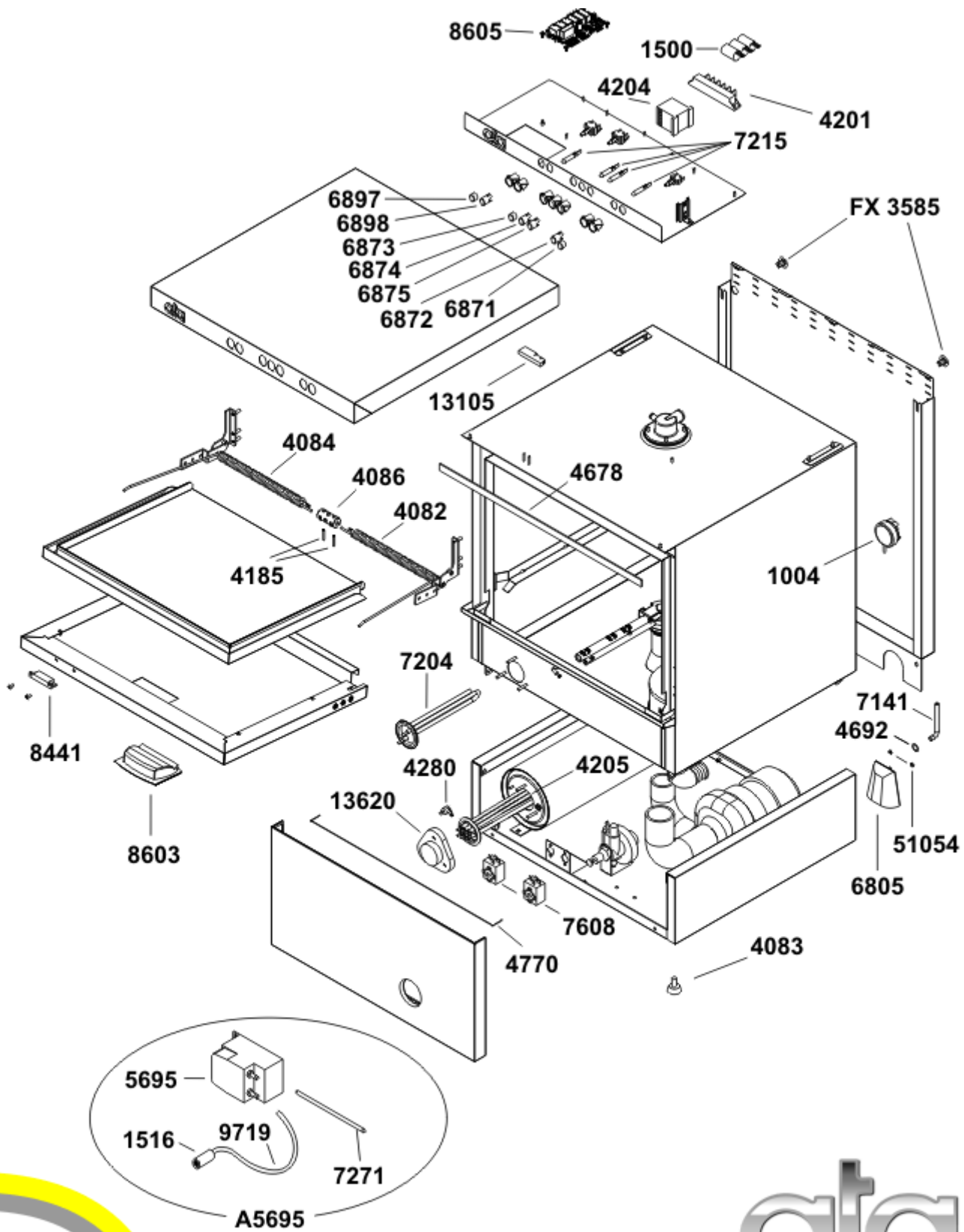
Dis. n° EM.AF.081

Data: 01/06/13

Professional dishwashers

www.atasrl.com

A.T.A. S.R.L. 35026 CONSELVE (PD) ITALY VIALE DEL PROGRESSO 20 - Z. I. PHONE 049/9500555 (4 LINEE R.A.) FAX 049/9500560



B 30 PS

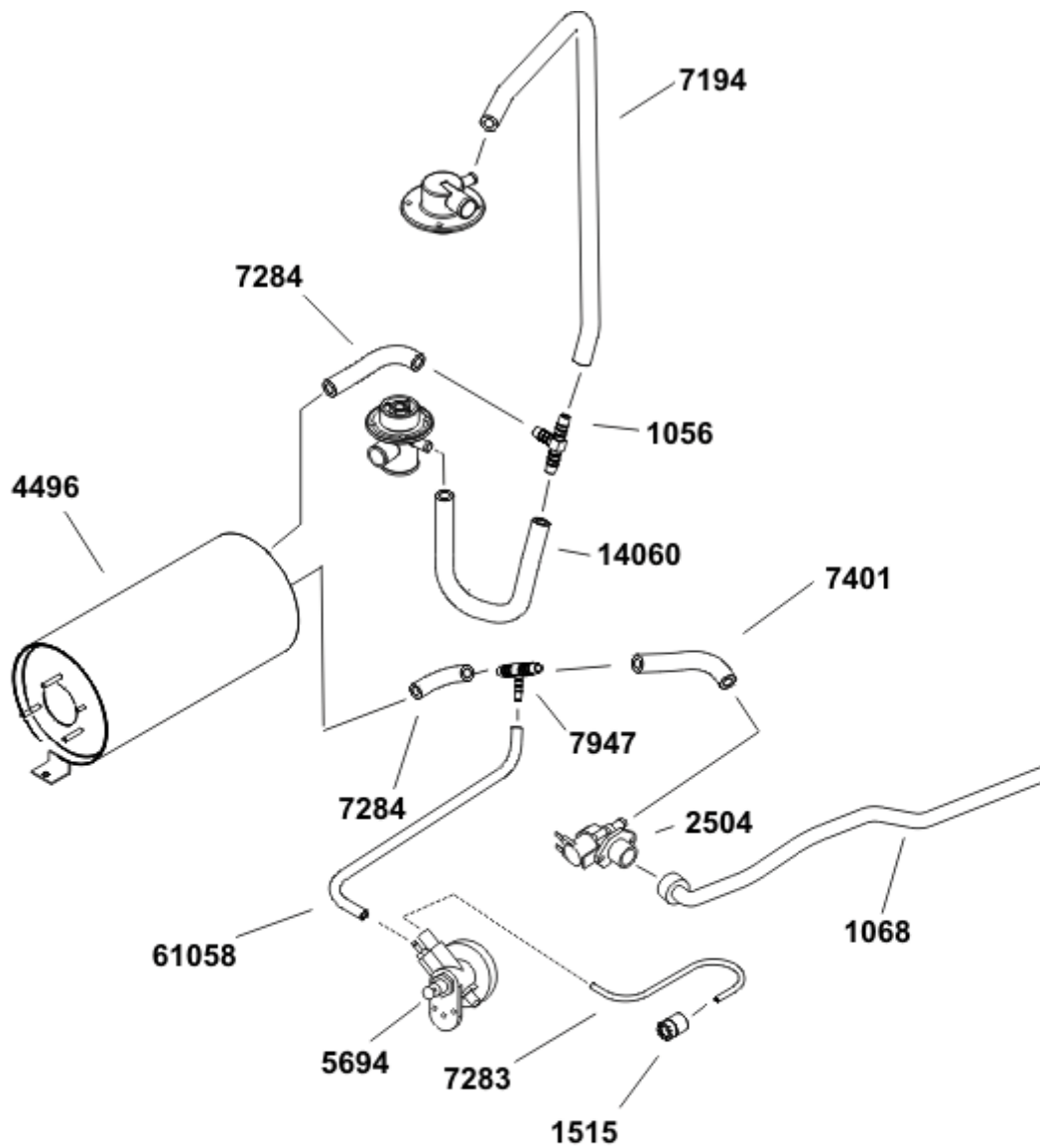
Dis. n° EE.AF.084

Data: 01/06/13

ata
Professional dishwashers

www.atasrl.com

A.T.A. S.R.L. 35026 CONSELVE (PD) ITALY VIALE DEL PROGRESSO 20 - Z. I. PHONE 049/9500555 (4 LINEE R.A.) FAX 049/9500560



www.atasrl.com

Modello
Modello
Modello
Modello

B 30 - B 30 PS

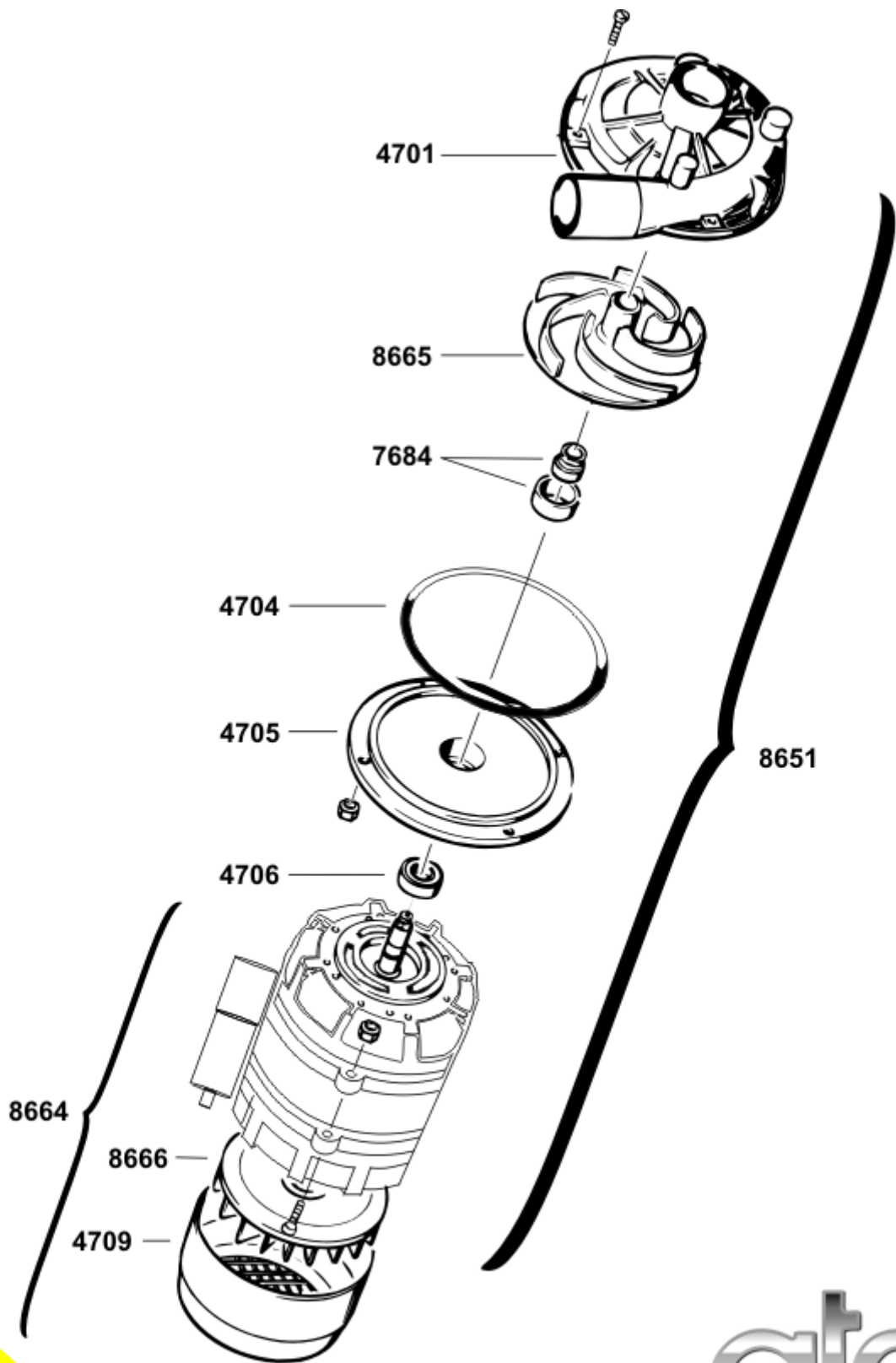
Dis. n° EI.AF.082

Data: 01/06/13

Professional dishwashers



A.T.A. S.R.L. 35026 CONSELVE (PD) ITALY VIALE DEL PROGRESSO 20 - Z. I. PHONE 049/9500555 (4 LINEE R.A.) FAX 049/9500560



ELETTROPOMPA
0,75 HP

Dis. n° EE.P.070

Data: 01/01/14



Professional dishwashers

www.atasrl.com

Modello
Modulo
Modello

A.T.A. S.R.L. 35026 CONSELVE (PD) ITALY VIALE DEL PROGRESSO 20 - Z. I. PHONE 049/9500555 (4 LINEE R.A.) FAX 049/9500560