

www.atasrl.com

Modello
Modello
Modello
Modello

AT 900 - 1000 + PRP

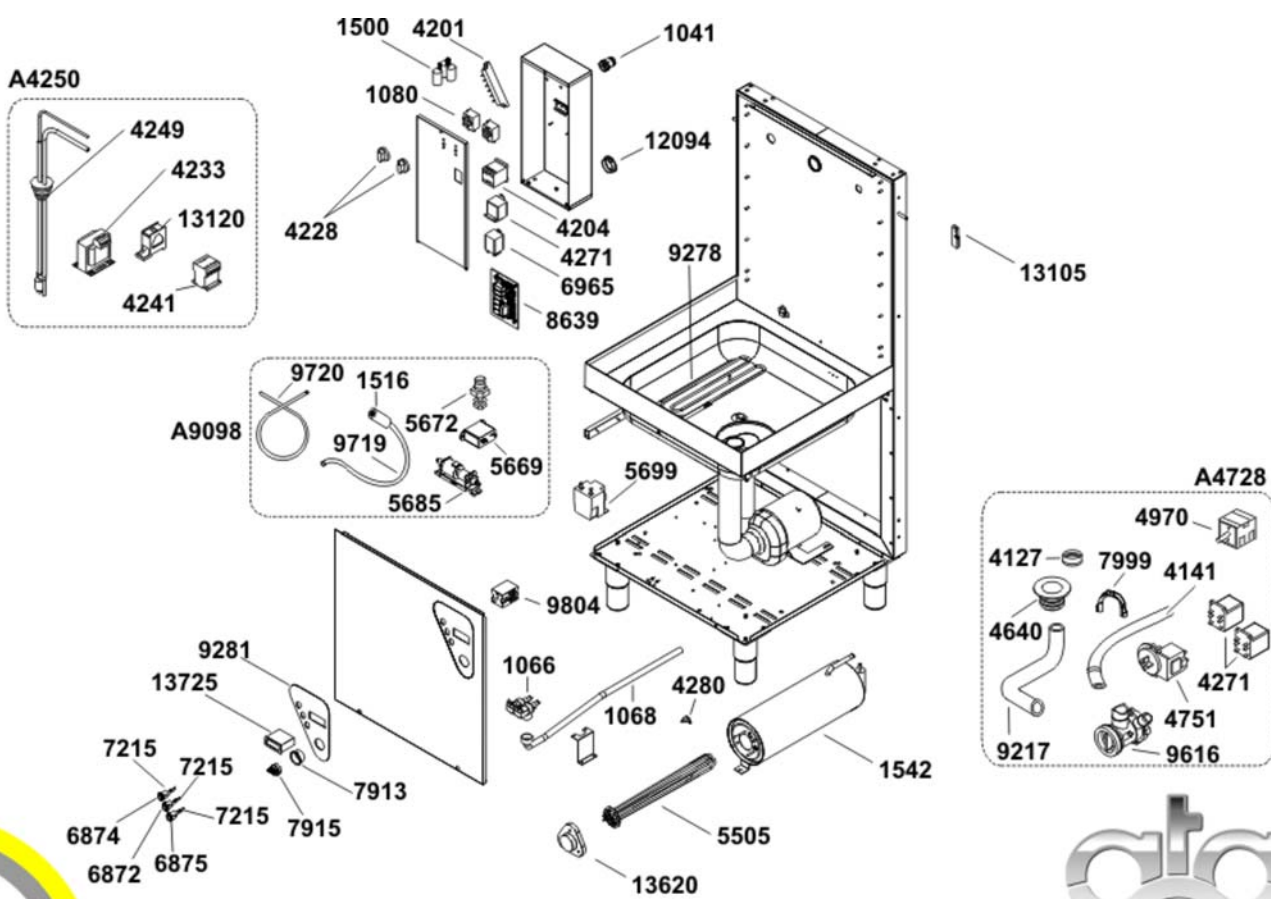
Dis. n° EI.AT.037

Data: 01/01/14



Professional dishwashers

A.T.A. S.R.L. 35026 CONSELVE (PD) ITALY VIALE DEL PROGRESSO 20 - Z. I. PHONE 049/9500555 (4 LINEE R.A.) FAX 049/9500560



www.atasrl.com

Modello
Model
Model

AT 900 + PRP

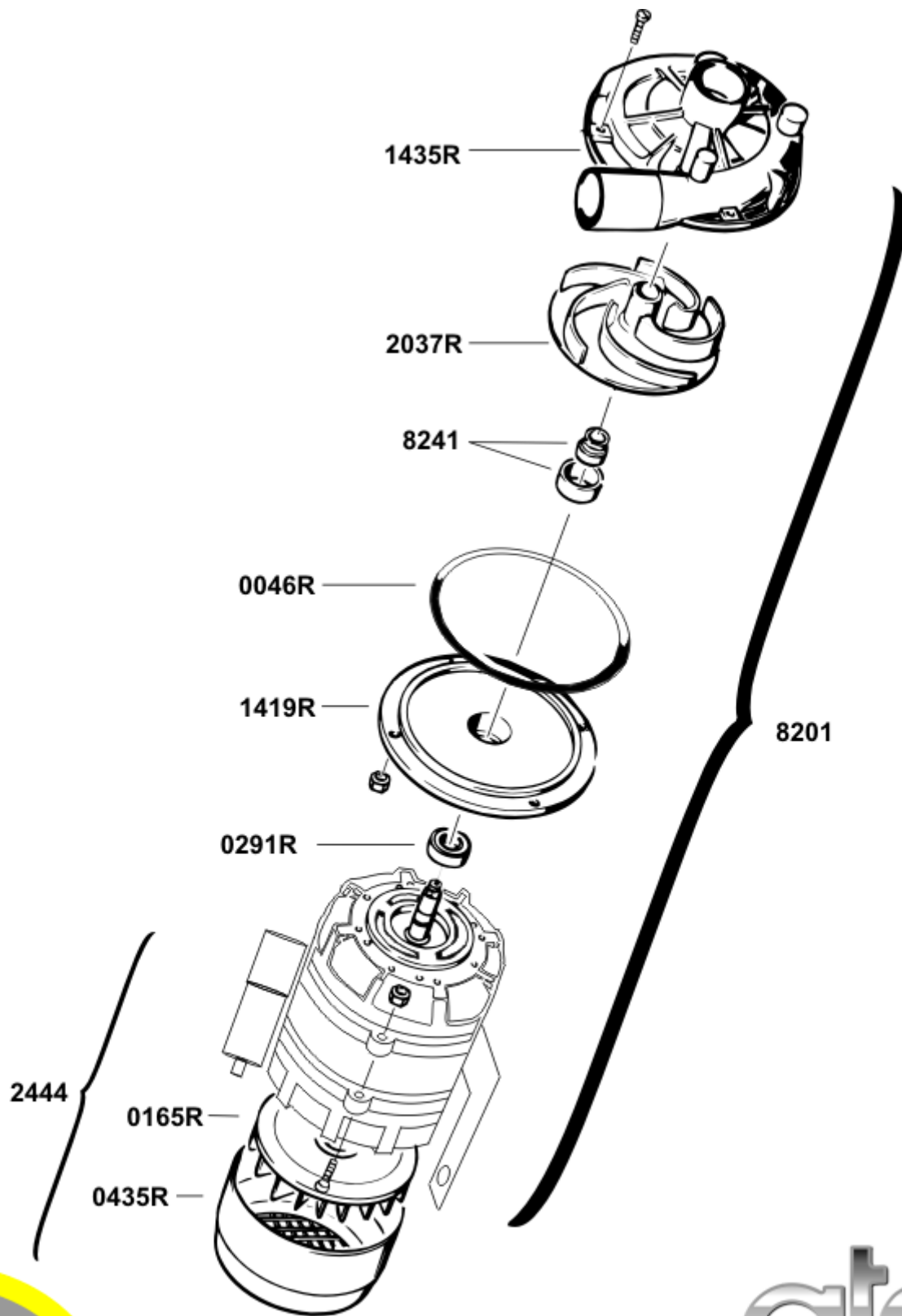
Dis. n° EE.AT.038

Data: 01/01/16



Professional dishwashers

A.T.A. S.R.L. 35026 CONSELVE (PD) ITALY VIALE DEL PROGRESSO 20 - Z. I. PHONE 049/9500555 (4 LINEE R.A.) FAX 049/9500560



ELETTROPOMPA
0,62 kW

Dis. n° EE.P.034

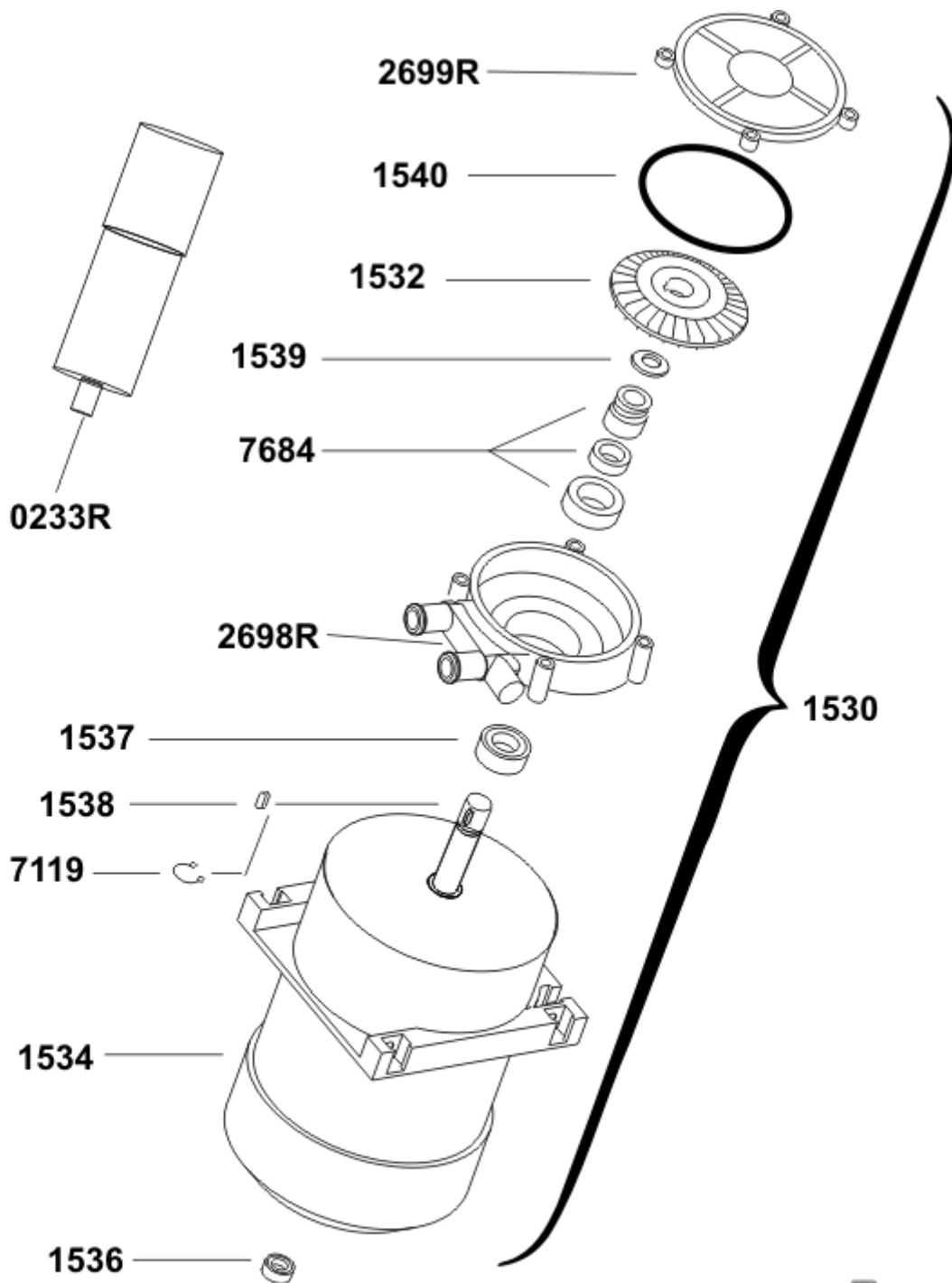
Data: 01/10/10



Professional dishwashers

www.atasrl.com

A.T.A. S.R.L. 35026 CONSELVE (PD) ITALY VIALE DEL PROGRESSO 20 - Z. I. PHONE 049/9500555 (4 LINEE R.A.) FAX 049/9500560



www.atasrl.com

Modello
Modello
Modello
Modello

Pompa aum.pressione

Dis. n° EE.P.027

Data: 01/10/10



Professional dishwashers

A.T.A. S.R.L. 35026 CONSELVE (PD) ITALY VIALE DEL PROGRESSO 20 - Z. I. PHONE 049/9500555 (4 LINEE R.A.) FAX 049/9500560